

TORK[®] nsi INDUSTRIES

SPECIFICATION SHEET

Project Info:	Type:
Job Ref:	Catalog Number:
Approvals:	Date:

ZTL LONG LIFE SERIES

Advanced Electronic LED Photocontrol



ZTL124
Zero-Cross Electronic LED Photocontrol Mounting Turn-Lock

OVERVIEW

The ZTL Series Photocontrol is designed with enhanced ZERO-CROSS Switching Technology allowing it to withstand the high inrush currents commonly found in LED Luminaires.

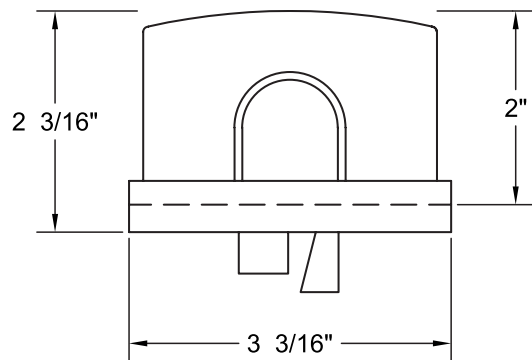
APPLICATIONS & FEATURES

- All LED, CFL, Induction, HPS and HID lighting fixtures requiring dusk to dawn control and enhanced protection against extreme inrush currents.
- Ideal for roadway, area, parking, flood and security type lighting fixtures.
- Enhanced 510 Joule MOV surge device providing superior surge protection against unpredictable line voltage spikes.
- Superior light sensing technology driven by a Non-Drifting Filtered Silicon Sensor designed for extreme accuracy and Human Eye Response.
- Circuit Board protection enhanced with conformal coating to protect against extreme weather elements and moisture.
- Photocontrol designed for 20 year long life requirement found on most LED fixtures.

SPECIFICATIONS

- **Voltage:** 105-305VAC, 50/60Hz.
- **Tungsten:** 1000 Watts.
- **Ballast:** 1800VA (U.S.) or 1000VA (Canada).
- **LED Electronic Ballast:** 8A or Totaling 2220W@277VAC.
- **Dielectric Strength:** 5000VAC.
- **Turn ON Light Level:** 2.0 fc +/- 0.2 fc Instant ON.
- **Turn OFF Light Level:** 1.5:1 with 3 second delay.
- **Operating Temperature:** -40°F to 158°F (-40°C to 70°C).
- **Fail Mode:** ON. Optional Fail OFF.
- **Surge Protection:** 510 Joule MOV.
- **Power Consumption:** <.5 Watts.
- **Sealing:** IP65 Compliant

DIMENSIONS



REGULATORY LISTINGS

- ANSI C136.10-2010
- UL773 & CSA TIL A15



LIMITED WARRANTY

- 15-year manufacture's warranty

ORDERING INFO

CAT. NO.	CERTIFICATION	UPC CODE	VOLTAGE VAC 50/60Hz	COLOR	MOV	RATINGS		
						TUNGSTEN	BALLAST	ELECTRONIC BALLAST (LED)
ZTL124	cULus	78909	105-305	Blue	510J	1000W	1800VA (1000VA cUL)	8A or 2220W@277VAC

ZTL124 PHOTOCONTROL																		
Z	TL		124		COVER COLOR		TURN-ON LEVEL (fc)		FAIL MODE		MOV RATING		PACKAGING QTY/COLOR		LAMP COMPATABILITY			
TECHNOLOGY	TYPE		VOLTAGE															
Z	ZERO-CROSS	TL	TURN-LOCK	124	105-305VAC	BLANK	ANSI STD. COLOR	BLANK	1.5 ANSI STD.	BLANK	ON	BLANK	510J	BLANK	1 UNIT 4 COLOR	BLANK	LED	
						*BR	BROWN	*10	1.0 fc ENERGY SAVER	F	OFF	*1020J	1020J	*12	12 UNITS 1 COLOR			
						*BK	BLACK	*26	2.6 fc IES RECOMMENDATION			*Any Joule Value		*50	50 UNITS 1 COLOR			
						*OR	ORANGE	*35	35 fc FAA									
						*GR	GREEN	*80	8.0 fc METRO - HIGH AMBIENT									

* Special order - Consult factory for availability and pricing.

TORK[®] nsi INDUSTRIES

SPECIFICATION SHEET

Project Info:	Type:
Job Ref:	Catalog Number:
Approvals:	Date:

ZTL LONG LIFE SERIES

Advanced Electronic LED Photocontrol



ZTL124
Zero-Cross Electronic LED Photocontrol Mounting Turn-Lock

OVERVIEW

The ZTL Series Photocontrol is designed with enhanced ZERO-CROSS Switching Technology allowing it to withstand the high inrush currents commonly found in LED Luminaires.

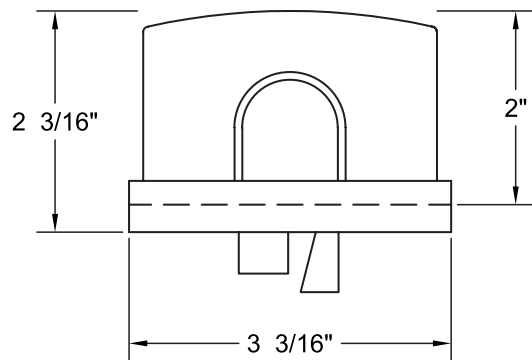
APPLICATIONS & FEATURES

- All LED, CFL, Induction, HPS and HID lighting fixtures requiring dusk to dawn control and enhanced protection against extreme inrush currents.
- Ideal for roadway, area, parking, flood and security type lighting fixtures.
- Enhanced 510 Joule MOV surge device providing superior surge protection against unpredictable line voltage spikes.
- Superior light sensing technology driven by a Non-Drifting Filtered Silicon Sensor designed for extreme accuracy and Human Eye Response.
- Circuit Board protection enhanced with conformal coating to protect against extreme weather elements and moisture.
- Photocontrol designed for 20 year long life requirement found on most LED fixtures.

SPECIFICATIONS

- **Voltage:** 105-305VAC, 50/60Hz.
- **Tungsten:** 1000 Watts.
- **Ballast:** 1800VA (U.S.) or 1000VA (Canada).
- **LED Electronic Ballast:** 8A or Totaling 2220W@277VAC.
- **Dielectric Strength:** 5000VAC.
- **Turn ON Light Level:** 2.0 fc +/- 0.2 fc Instant ON.
- **Turn OFF Light Level:** 1.5:1 with 3 second delay.
- **Operating Temperature:** -40°F to 158°F (-40°C to 70°C).
- **Fail Mode:** ON. Optional Fail OFF.
- **Surge Protection:** 510 Joule MOV.
- **Power Consumption:** <.5 Watts.
- **Sealing:** IP65 Compliant

DIMENSIONS



REGULATORY LISTINGS

- ANSI C136.10-2010
- UL773 & CSA TIL A15



LIMITED WARRANTY

- 15-year manufacture's warranty

ORDERING INFO

CAT. NO.	CERTIFICATION	UPC CODE	VOLTAGE VAC 50/60Hz	COLOR	MOV	RATINGS		
						TUNGSTEN	BALLAST	ELECTRONIC BALLAST (LED)
ZTL124	cULus	78909	105-305	Blue	510J	1000W	1800VA (1000VA cUL)	8A or 2220W@277VAC

ZTL124 PHOTOCONTROL																		
Z	TL		124		COVER COLOR		TURN-ON LEVEL (fc)		FAIL MODE		MOV RATING		PACKAGING QTY/COLOR		LAMP COMPATABILITY			
TECHNOLOGY	TYPE		VOLTAGE															
Z	ZERO-CROSS	TL	TURN-LOCK	124	105-305VAC	BLANK	ANSI STD. COLOR	BLANK	1.5 ANSI STD.	BLANK	ON	BLANK	510J	BLANK	1 UNIT 4 COLOR	BLANK	LED	
						*BR	BROWN	*10	1.0 fc ENERGY SAVER	F	OFF	*1020J	1020J	*12	12 UNITS 1 COLOR			
						*BK	BLACK	*26	2.6 fc IES RECOMMENDATION			*Any Joule Value		*50	50 UNITS 1 COLOR			
						*OR	ORANGE	*35	35 fc FAA									
						*GR	GREEN	*80	8.0 fc METRO - HIGH AMBIENT									

* Special order - Consult factory for availability and pricing.