

Catalog Number
Notes
Type

FEATURES & SPECIFICATIONS

INTENDED USE — Ideal for damp/wet locations such as outdoor venues, canopies and locker rooms. **Certain airborne contaminants can diminish the integrity of acrylic and/or polycarbonate.** [Click here for Acrylic and Polycarbonate Environmental Compatibility table for suitable uses.](#)

CONSTRUCTION — Light gray, fully gasketed, polycarbonate housing with ten polycarbonate captive latches provides a watertight seal. The high-impact resistant housing and extruded silicone rubber gasket protects the internal components from the environment, including moisture and dirt. 3/8" wet location fitting provided on the 3500LM fixture and 1/2" wet location fitting provided on the 5000LM fixture on one end for use with liquid tight conduit. The housing dimensions vary based on the lumen package selected. See DIMENSIONS drawings on page 2 for details. Polycarbonate latches (included) deter tampering, by accommodating #6-32x3/8" tamper resistant fasteners (not provided). Grade 301 stainless steel latches (available separately) deter tampering, by accommodating #8-32x1/2" tamper resistant fasteners (not provided).

OPTICS — UV-stabilized, high-impact, frosted polycarbonate lens for uniform light output and high-impact resistance.

ELECTRICAL — High-efficiency LEDs. 0-10V dimming standard for a dimming range of 100% to 10%. 3kV Ring, 2kV Combo level of surge protection is standard. Suitable for 50/60 Hz.

INSTALLATION — Mounting hardware for surface mounting to ceiling or wall (horizontally or vertically) included. Mounting hardware kit also includes hooks for suspended mount (chain not included). Optional 45° corner angle bracket mount and junction mount kit also available. Maximum of 15 units or 6A for through wiring connection or daisy chain type installation. Tool-less access for installation.

LISTINGS — UL/C-UL listed to US and Canadian Safety Standards. For use in wet locations under covered ceilings. For use in ambient temperatures from -4°F (-20°C) to 104°F (40°C). IP65 and IP66 rated when ceiling, suspended, wall or corner mounted. Junction Box mount rated IP65. This unit meets FCC Non-Consumer Class A (277v) and Consumer Class B (120V) limits.

DesignLights Consortium® (DLC) qualified product. Not all versions of this product may be DLC qualified. Please check the DLC Qualified Products List at www.designlights.org/QPL to confirm which versions are qualified.

WARRANTY — 5-year limited warranty. Complete warranty terms located at: www.acuitybrands.com/CustomerResources/Terms_and_conditions.aspx

Note: Actual performance may differ as a result of end-user environment and application. All values are design or typical values, measured under laboratory conditions at 25 °C. Specifications subject to change without notice.

LED Vapor Tight

XVML



ORDERING INFORMATION

Catalog number	Lumens	Voltage	Color temperature	Standard carton quantity
XVML L48 3500LM MVOLT 40K 80CRI	3500LM	MVOLT (120-277)	4000K, 80CRI	1
XVML L48 3500LM MVOLT 50K 80CRI	3500LM	MVOLT (120-277)	5000K, 80CRI	1
XVML L48 5000LM MVOLT 40K 80CRI	5000LM	MVOLT (120-277)	4000K, 80CRI	1
XVML L48 5000LM MVOLT 50K 80CRI	5000LM	MVOLT (120-277)	5000K, 80CRI	1

Accessories: Order as separate catalog number.	
XVML LATCH STSL	Stainless steel latch kit (Set of 10) ¹
XVMLJSB	Junction box mount ²
XVMLANGBKT45	Angle mount bracket ³

Notes

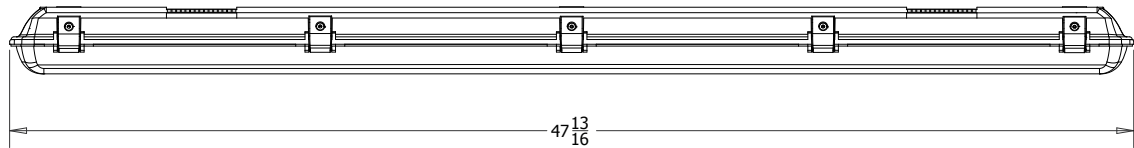
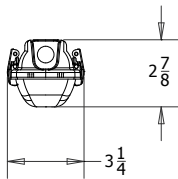
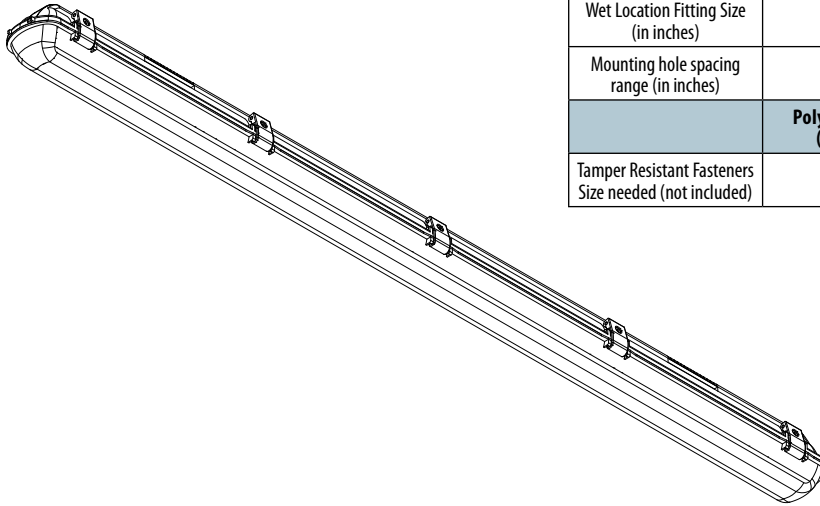
- To deter tampering, stainless steel latches can accommodate #8-32x1/2" tamper resistant fasteners (not provided). Kit includes 10 latches.
- IP65 rated. Not compatible with angle mount bracket. Required to be used in center of fixture with supplied brackets for additional mounting support.
- For use with applications where ceiling meets wall at a 90° angle. See drawing on page 3 for more information.

LED Vapor Tight

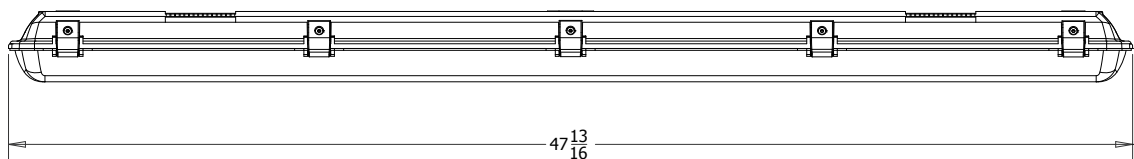
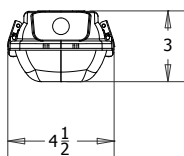
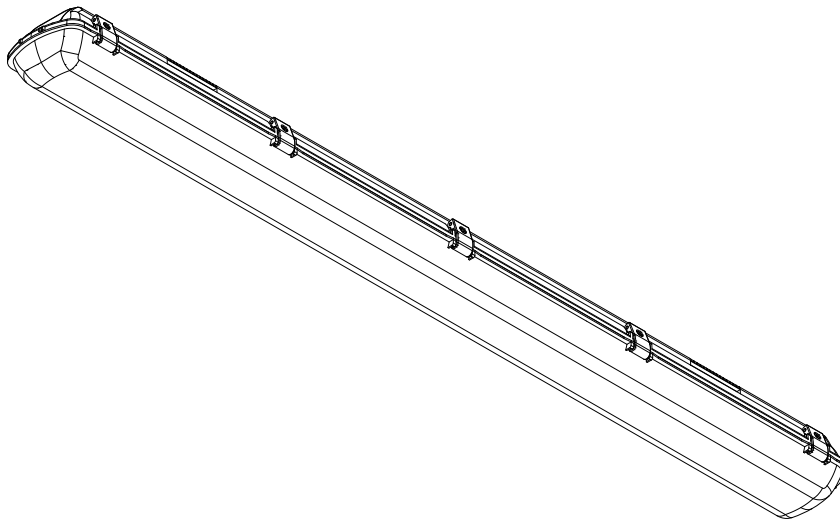
DIMENSIONS

All dimensions are in inches unless otherwise indicated.

WEIGHT AND PALLET QUANTITY		
	3500LM	5000LM
Dimensions (in inches)	47 13/16" x 3 1/4" x 2 7/8"	47 13/16" x 4 1/2" x 3"
Weight	4.4 lbs (2.0 kgs)	6.1 lbs (2.8 kgs)
Pallet Quantity	144	99
Wet Location Fitting Size (in inches)	3/8"	1/2"
Mounting hole spacing range (in inches)	29-5/8" - 33-1/4"	29-5/8" - 33-1/4"
	Polycarbonate latches (standard latch)	Stainless Steel (optional accessory)
Tamper Resistant Fasteners Size needed (not included)	#6 - 32x3/8	#8 - 32x1/2



XVML L48 3500LM



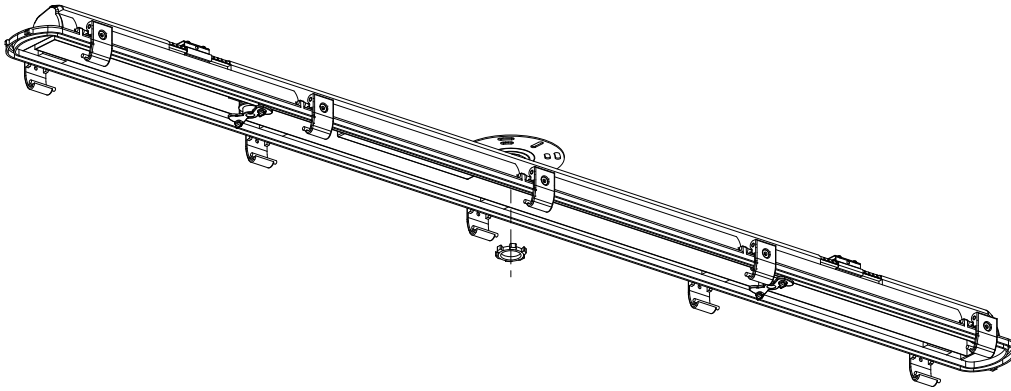
XVML L48 5000LM

LED Vapor Tight

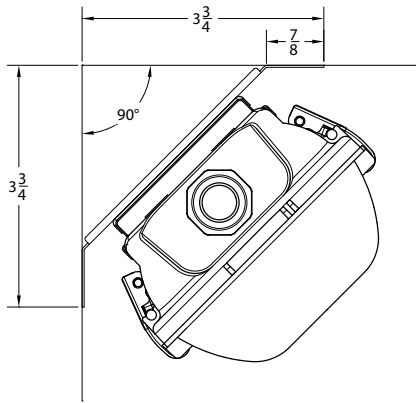
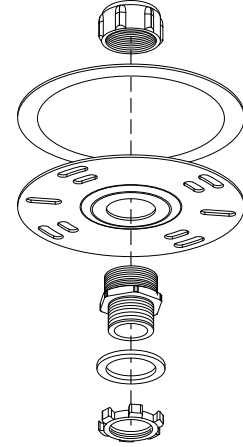
DIMENSIONS

All dimensions are in inches unless otherwise indicated.

Accessories: Order as separate catalog number.



XVMLJSB



XVMLANGBKT45

OPERATIONAL DATA

XVML L48 3500LM MVOLT (80CRI)				
	Lumens	Wattage	LPW	Comparable Light Source
40K	3,558	33	106.6	2 - 32T8 lamps
50K	3,642		110.4	

XVML L48 5000LM MVOLT (80CRI)				
	Lumens	Wattage	LPW	Comparable Light Source
40K	5,365	49	109.6	3-32T8 Lamps, 2-54T5HO lamps
50K	5,534		112.9	

PHOTOMETRICS

See www.lithonia.com.

Catalog Number
Notes
Type

FEATURES & SPECIFICATIONS

INTENDED USE — Ideal for damp/wet locations such as outdoor venues, canopies and locker rooms. **Certain airborne contaminants can diminish the integrity of acrylic and/or polycarbonate.** [Click here for Acrylic and Polycarbonate Environmental Compatibility table for suitable uses.](#)

CONSTRUCTION — Light gray, fully gasketed, polycarbonate housing with ten polycarbonate captive latches provides a watertight seal. The high-impact resistant housing and extruded silicone rubber gasket protects the internal components from the environment, including moisture and dirt. 3/8" wet location fitting provided on the 3500LM fixture and 1/2" wet location fitting provided on the 5000LM fixture on one end for use with liquid tight conduit. The housing dimensions vary based on the lumen package selected. See DIMENSIONS drawings on page 2 for details. Polycarbonate latches (included) deter tampering, by accommodating #6-32x3/8" tamper resistant fasteners (not provided). Grade 301 stainless steel latches (available separately) deter tampering, by accommodating #8-32x1/2" tamper resistant fasteners (not provided).

OPTICS — UV-stabilized, high-impact, frosted polycarbonate lens for uniform light output and high-impact resistance.

ELECTRICAL — High-efficiency LEDs. 0-10V dimming standard for a dimming range of 100% to 10%. 3kV Ring, 2kV Combo level of surge protection is standard. Suitable for 50/60 Hz.

INSTALLATION — Mounting hardware for surface mounting to ceiling or wall (horizontally or vertically) included. Mounting hardware kit also includes hooks for suspended mount (chain not included). Optional 45° corner angle bracket mount and junction mount kit also available. Maximum of 15 units or 6A for through wiring connection or daisy chain type installation. Tool-less access for installation.

LISTINGS — UL/C-UL listed to US and Canadian Safety Standards. For use in wet locations under covered ceilings. For use in ambient temperatures from -4°F (-20°C) to 104°F (40°C). IP65 and IP66 rated when ceiling, suspended, wall or corner mounted. Junction Box mount rated IP65. This unit meets FCC Non-Consumer Class A (277v) and Consumer Class B (120V) limits.

DesignLights Consortium® (DLC) qualified product. Not all versions of this product may be DLC qualified. Please check the DLC Qualified Products List at www.designlights.org/QPL to confirm which versions are qualified.

WARRANTY — 5-year limited warranty. Complete warranty terms located at: www.acuitybrands.com/CustomerResources/Terms_and_conditions.aspx

Note: Actual performance may differ as a result of end-user environment and application. All values are design or typical values, measured under laboratory conditions at 25 °C. Specifications subject to change without notice.

LED Vapor Tight

XVML



ORDERING INFORMATION

Catalog number	Lumens	Voltage	Color temperature	Standard carton quantity
XVML L48 3500LM MVOLT 40K 80CRI	3500LM	MVOLT (120-277)	4000K, 80CRI	1
XVML L48 3500LM MVOLT 50K 80CRI	3500LM	MVOLT (120-277)	5000K, 80CRI	1
XVML L48 5000LM MVOLT 40K 80CRI	5000LM	MVOLT (120-277)	4000K, 80CRI	1
XVML L48 5000LM MVOLT 50K 80CRI	5000LM	MVOLT (120-277)	5000K, 80CRI	1

Accessories: Order as separate catalog number.	
XVML LATCH STSL	Stainless steel latch kit (Set of 10) ¹
XVMLJSB	Junction box mount ²
XVMLANGBKT45	Angle mount bracket ³

Notes

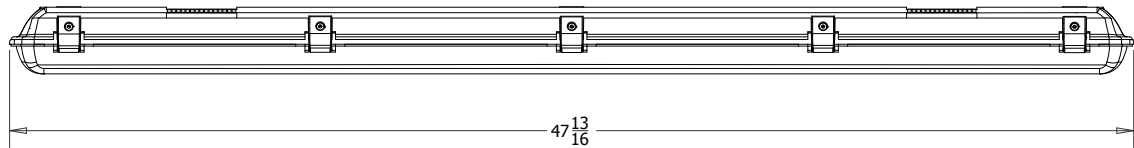
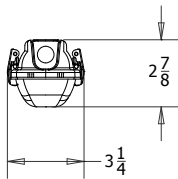
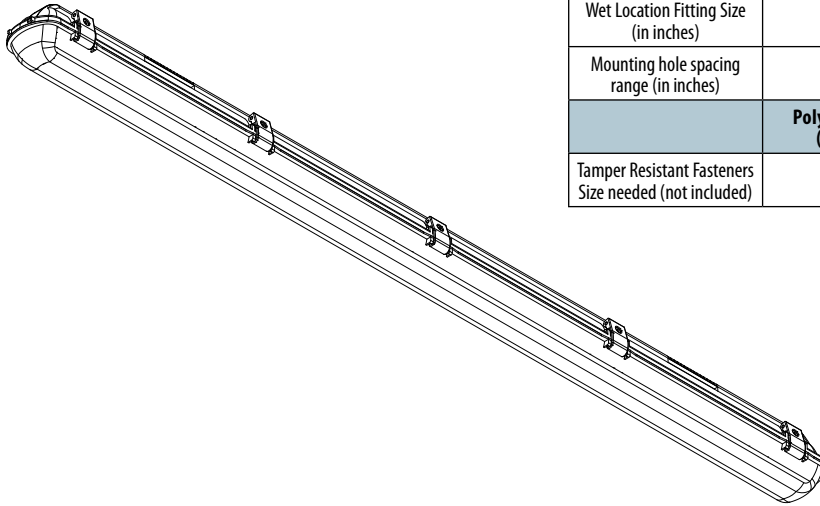
- To deter tampering, stainless steel latches can accommodate #8-32x1/2" tamper resistant fasteners (not provided). Kit includes 10 latches.
- IP65 rated. Not compatible with angle mount bracket. Required to be used in center of fixture with supplied brackets for additional mounting support.
- For use with applications where ceiling meets wall at a 90° angle. See drawing on page 3 for more information.

LED Vapor Tight

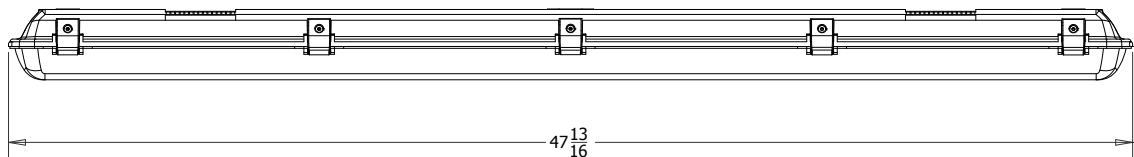
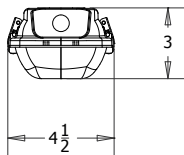
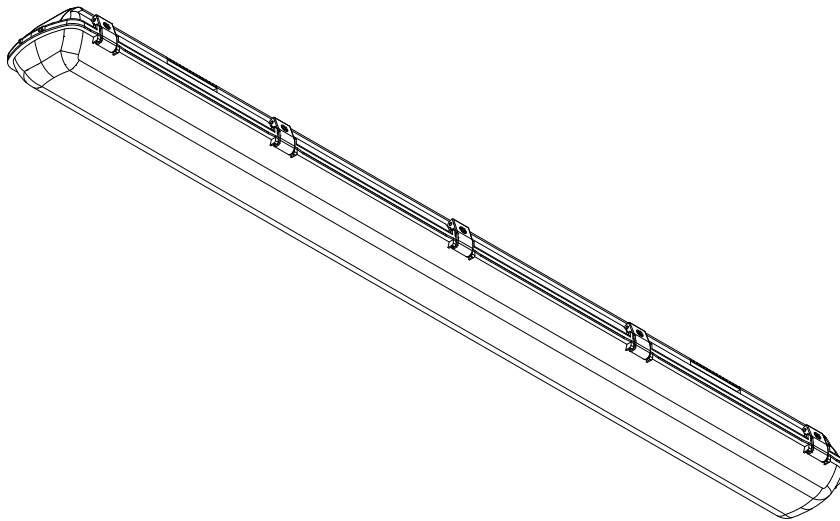
DIMENSIONS

All dimensions are in inches unless otherwise indicated.

WEIGHT AND PALLET QUANTITY		
	3500LM	5000LM
Dimensions (in inches)	47 13/16" x 3 1/4" x 2 7/8"	47 13/16" x 4 1/2" x 3"
Weight	4.4 lbs (2.0 kgs)	6.1 lbs (2.8 kgs)
Pallet Quantity	144	99
Wet Location Fitting Size (in inches)	3/8"	1/2"
Mounting hole spacing range (in inches)	29-5/8" - 33-1/4"	29-5/8" - 33-1/4"
	Polycarbonate latches (standard latch)	Stainless Steel (optional accessory)
Tamper Resistant Fasteners Size needed (not included)	#6 - 32x3/8	#8 - 32x1/2



XVML L48 3500LM



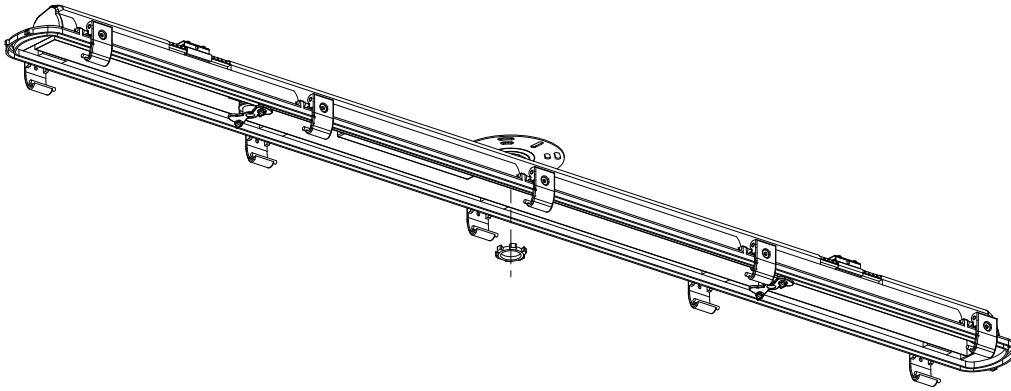
XVML L48 5000LM

LED Vapor Tight

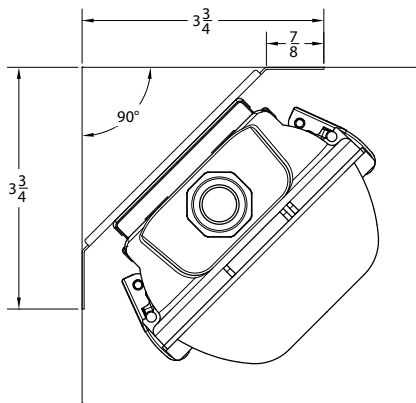
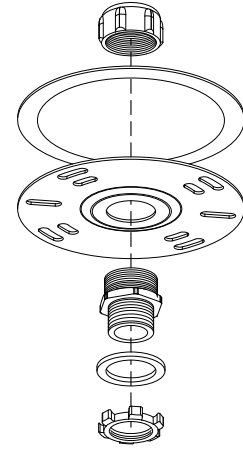
DIMENSIONS

All dimensions are in inches unless otherwise indicated.

Accessories: Order as separate catalog number.



XVMLJSB



XVMLANGBKT45

OPERATIONAL DATA

XVML L48 3500LM MVOLT (80CRI)				
	Lumens	Wattage	LPW	Comparable Light Source
40K	3,558	33	106.6	2 - 32T8 lamps
50K	3,642		110.4	

XVML L48 5000LM MVOLT (80CRI)				
	Lumens	Wattage	LPW	Comparable Light Source
40K	5,365	49	109.6	3-32T8 Lamps, 2-54T5H0 lamps
50K	5,534		112.9	

PHOTOMETRICS

See www.lithonia.com.