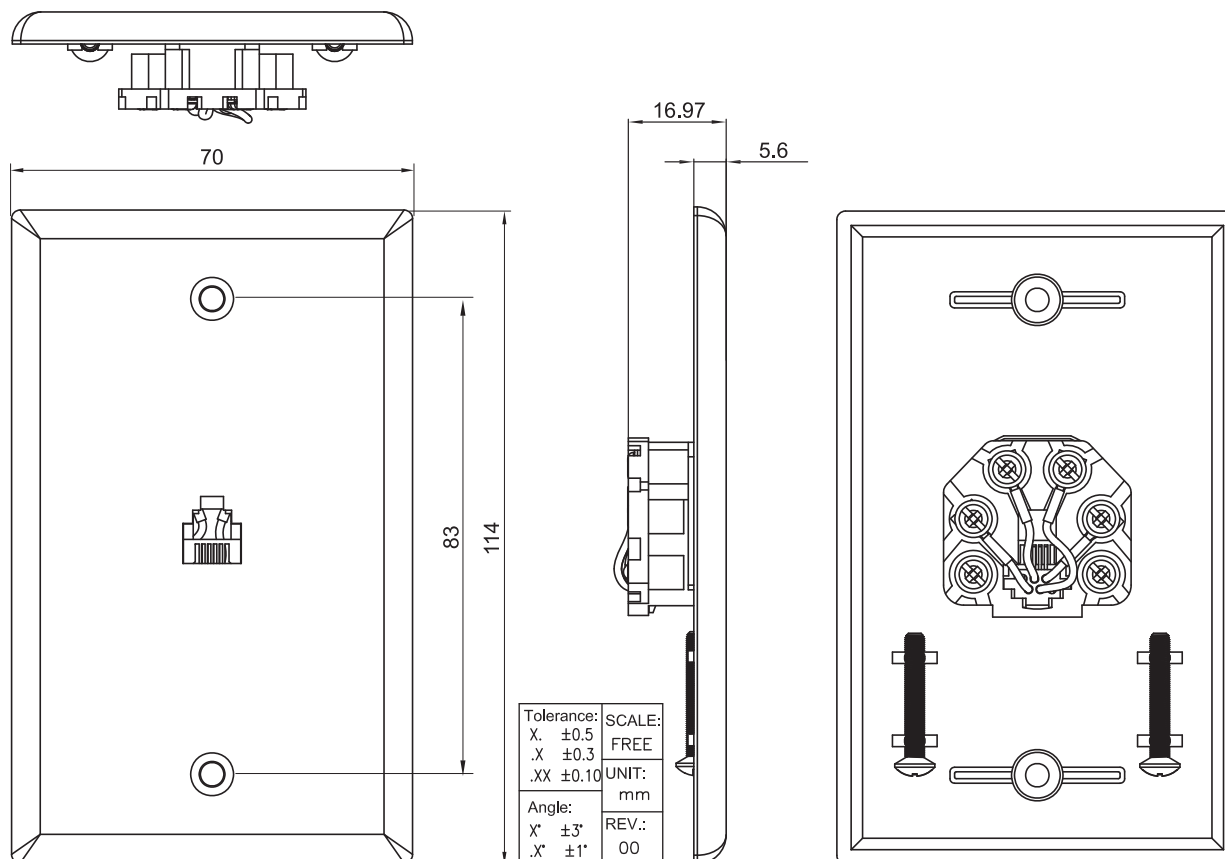




PRODUCT SPECIFICATIONS

Part Numbers: XFPOP-00465, XFPOP-00476, XFPOP-01446
 Standard Single RJ-11 / RJ-14 Telco Wall Plate



SPECIFICATIONS

MATERIAL: PLASTIC

PRODUCT DESCRIPTION

Standard Single RJ-11 / RJ-14 Telco Wall Plate with Color Matched Screws

PART NUMBER	COLOR
XFPOP-00465	White
XFPOP-00476	Ivory
XFPOP-01446	Light Almond

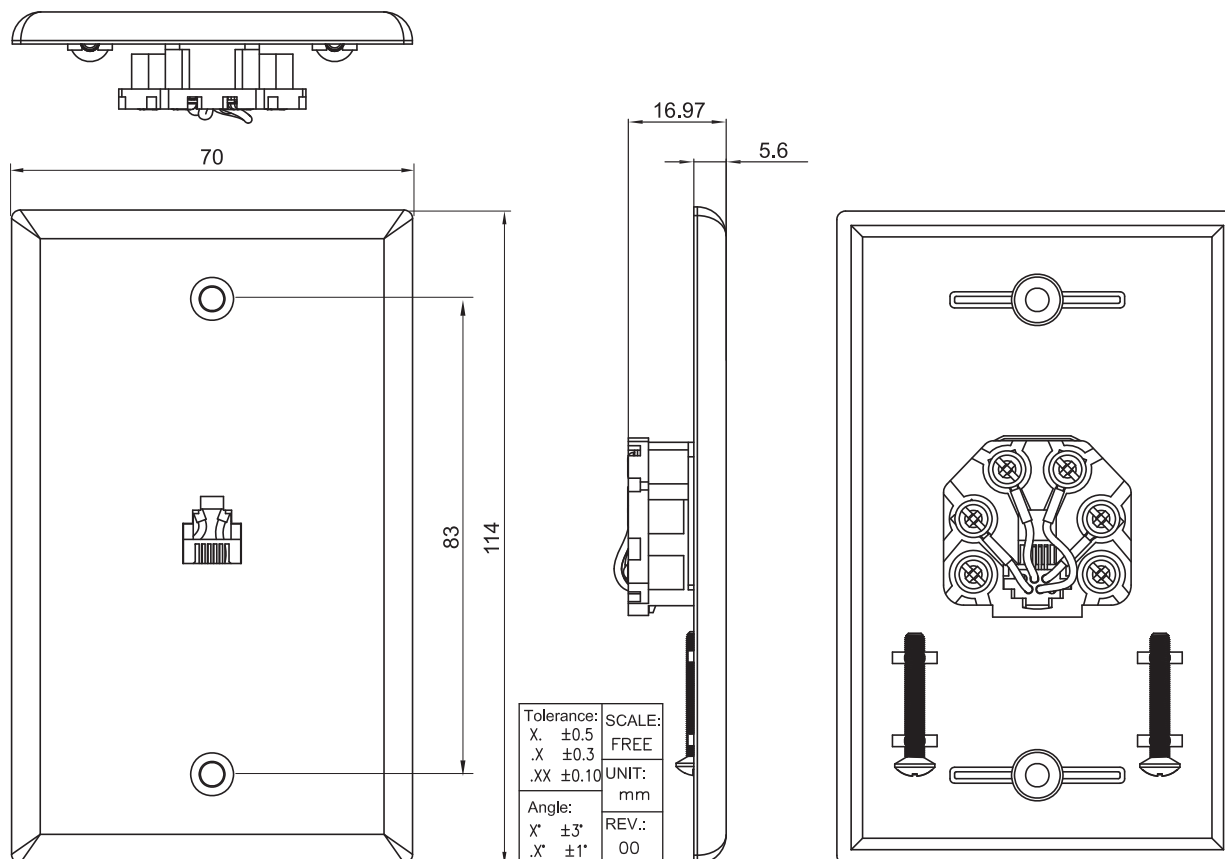
NOTE: TECHNICAL SHEETS ARE SUBJECT TO CHANGE WITHOUT NOTICE.





PRODUCT SPECIFICATIONS

Part Numbers: XFPOP-00465, XFPOP-00476, XFPOP-01446
 Standard Single RJ-11 / RJ-14 Telco Wall Plate



SPECIFICATIONS

MATERIAL: PLASTIC

PRODUCT DESCRIPTION

Standard Single RJ-11 / RJ-14 Telco Wall Plate with Color Matched Screws

PART NUMBER	COLOR
XFPOP-00465	White
XFPOP-00476	Ivory
XFPOP-01446	Light Almond

NOTE: TECHNICAL SHEETS ARE SUBJECT TO CHANGE WITHOUT NOTICE.

