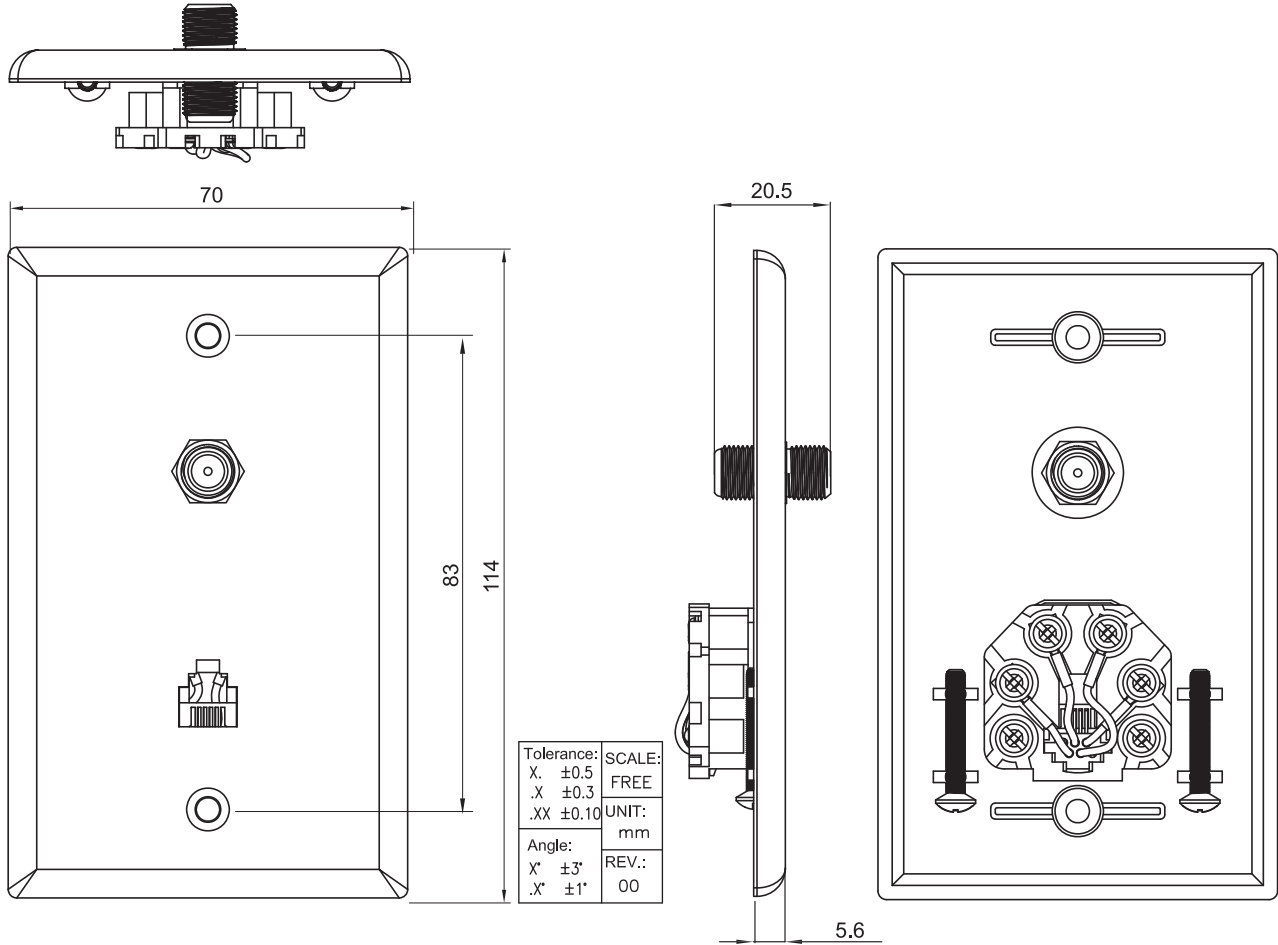




PRODUCT SPECIFICATIONS

Part Numbers: XFPOP-00469, XFPOP-00480, XFPOP-01451
 Standard Combination F-81 & RJ-11 / RJ-14 Connection Wall Plate



SPECIFICATIONS

MATERIAL: PLASTIC

PRODUCT DESCRIPTION

Standard Combination F-81 & RJ-11 / RJ-14 Connection Wall Plate with Color Matched Screws

PART NUMBER	COLOR
XFPOP-00469	White
XFPOP-00480	Ivory
XFPOP-01451	Light Almond

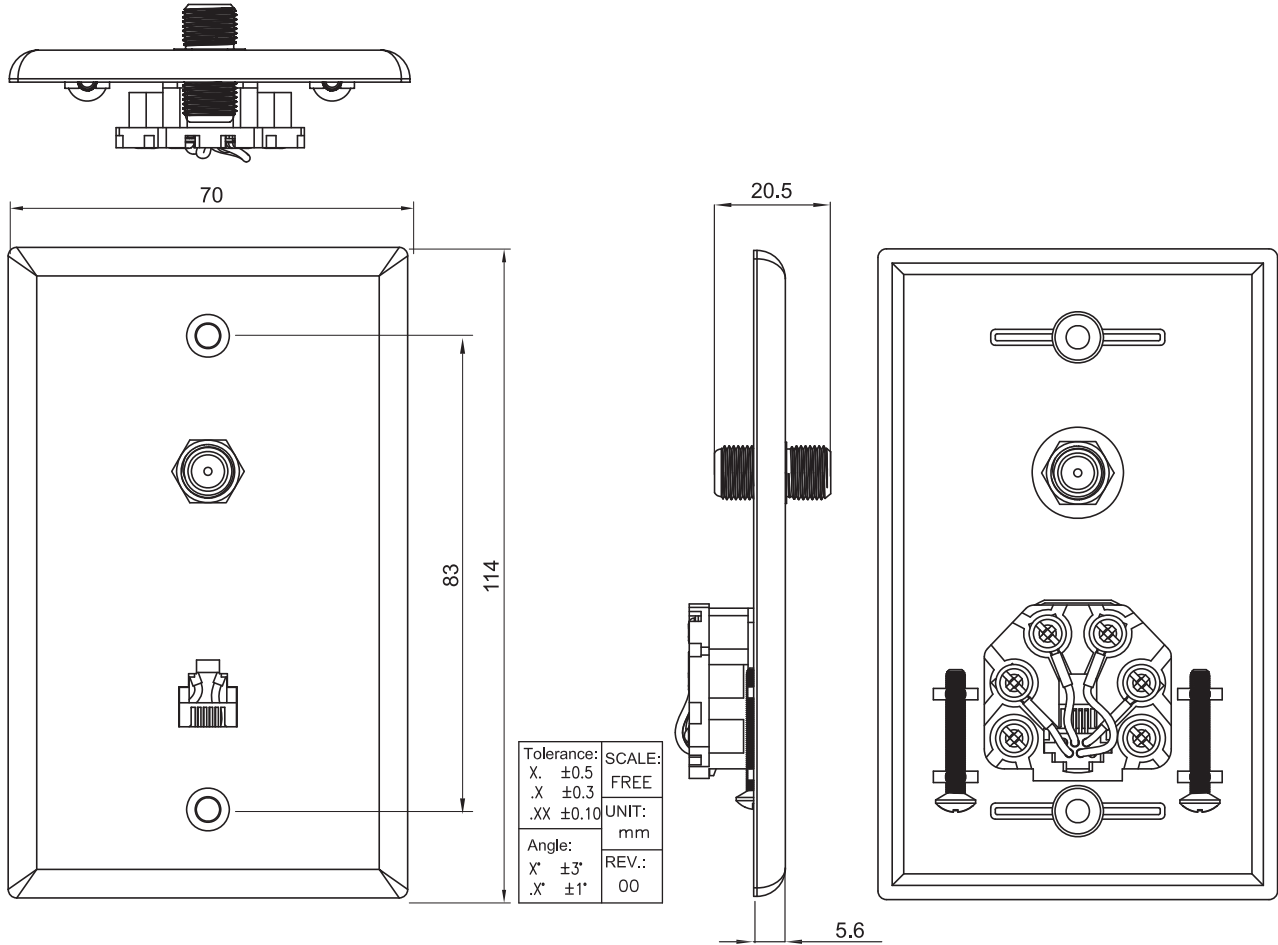
NOTE: TECHNICAL SHEETS ARE SUBJECT TO CHANGE WITHOUT NOTICE.





PRODUCT SPECIFICATIONS

Part Numbers: XFPOP-00469, XFPOP-00480, XFPOP-01451
 Standard Combination F-81 & RJ-11 / RJ-14 Connection Wall Plate



SPECIFICATIONS

MATERIAL: PLASTIC

PRODUCT DESCRIPTION

Standard Combination F-81 & RJ-11 / RJ-14 Connection Wall Plate with Color Matched Screws

PART NUMBER	COLOR
XFPOP-00469	White
XFPOP-00480	Ivory
XFPOP-01451	Light Almond

NOTE: TECHNICAL SHEETS ARE SUBJECT TO CHANGE WITHOUT NOTICE.



© 2016 VERICOM Global Solutions