

WPLED20

20 Watt LED Wallpack with 5 conduit entry points. Equivalent to 150W MH. Includes both junction box and surface mount for recessed box. IESNA Full Cutoff, Fully Shielded optics. Mount at 11-20'. 5 year warranty. UL Listed for up and down lighting.

Color: Bronze

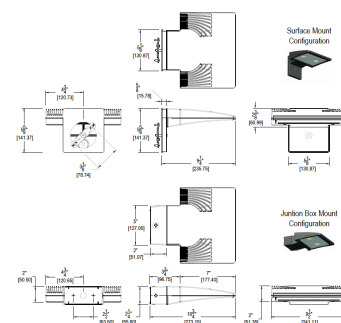
Weight: 6.1 lbs

LED Info

Watts: 20W
 Color Temp: 5000K (Cool)
 Color Accuracy: 70
 L70 Lifespan: 100000
 LM79 Lumens: 1,401
 Efficacy: 65 LPW

Driver Info

Type: Constant Current
 120V: 0.19A
 208V: 0.12A
 240V: 0.10A
 277V: 0.08A
 Input Watts: 22W
 Efficiency: 93%



Technical Specifications

UL Listing:

Suitable for wet locations. Suitable for mounting within 1.2m (4ft) of the ground.

Lumen Maintenance:

100,000-hour LED lifespan based on IES LM-80 results and TM-21 calculations.

Cold Weather Starting:

The minimum starting temperature is -40°F/-40°C.

THD:

7.35% at 120V

Driver:

Two Multi-chip 10W high output long life LED Driver
 Constant Current, Class 2

Ambient Temperature:

Suitable for use in 50°C (122°F) ambient temperatures.

Fixture Efficacy:

65 Lumens per Watt

Color Accuracy:

70 CRI

Color Temperature (Nominal CCT):

5000K (Daylight).

Thermal Management:

Integral cast aluminum mounting pad and external fins for optimal heat sinking to ensure cool operation with maximum LED life and light output.

Housing:

Precision die cast aluminum housing, lens frame and mounting plate.

Two Mounting Options:

Junction Box with 5 Conduit Entry Points and Threaded Plugs for surface mounting plus Cover Plate for mounting over 4" recessed junction box included with WPLED20.

Finish:

Our environmentally friendly polyester powder coatings are formulated for high-durability and long-lasting color, and contains no VOC or toxic heavy metals.

Color Consistency:

7-step MacAdam Ellipse binning to achieve consistent fixture-to-fixture color.

Color Stability:

LED color temperature is warranted to shift no more than 200K in CCT over a 5 year period.

Color Uniformity:

RAB's range of CCT (Correlated color temperature) follows the guidelines of the American National Standard for Specifications for the Chromaticity of Solid State Lighting (SSL) Products, ANSI C78.377-2008.

Green Technology:

RAB LEDs are Mercury, Arsenic and UV free.

Dark Sky Approved:

The International Dark Sky Association has approved this product as a full cutoff, fully shielded luminaire.

For use on LEED Buildings:

IDA Dark Sky Approval means that this fixture can be used to achieve LEED Credits for Light Pollution Reduction.

WPLED20 - continued

Patents:

The LPACK design is protected under patents in the U.S. Pat. D634873, Canada Pat. 133207, China Pat. ZL201030129137, Taiwan Pat. D139540 and Mexico Pat. 32491

IESNA LM-79 & IESNA LM-80 Testing:

RAB LED luminaires have been tested by an independent laboratory in accordance with IESNA LM-79 and 80, and have received the Department of Energy "Lighting Facts" label.

Gaskets:

High Temperature Silicone.

Warranty:

RAB warrants that our LED products will be free from defects in materials and workmanship for a period of five (5) years from the date of delivery to the end user, including coverage of light output, color stability, driver performance and fixture finish. See our full warranty .

Equivalency:

The WPLED20 is Equivalent in delivered lumens to a 150W Metal Halide Wallpack.

HID Replacement Range:

The WPLED20 can be used to replace 100-175W Metal Halide Wallpacks based on delivered lumens.

DLC Listed:

This product is on the Design Lights Consortium (DLC) Qualified Products List and is eligible for rebates from DLC Member Utilities.



WPLED20

20 Watt LED Wallpack with 5 conduit entry points. Equivalent to 150W MH. Includes both junction box and surface mount for recessed box. IESNA Full Cutoff, Fully Shielded optics. Mount at 11-20'. 5 year warranty. UL Listed for up and down lighting.

Color: Bronze

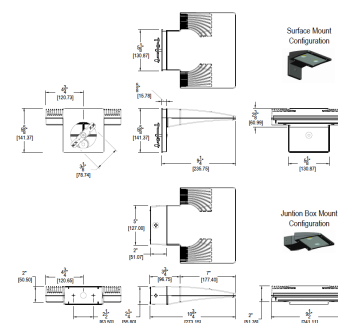
Weight: 6.1 lbs

LED Info

Watts: 20W
 Color Temp: 5000K (Cool)
 Color Accuracy: 70
 L70 Lifespan: 100000
 LM79 Lumens: 1,401
 Efficacy: 65 LPW

Driver Info

Type: Constant Current
 120V: 0.19A
 208V: 0.12A
 240V: 0.10A
 277V: 0.08A
 Input Watts: 22W
 Efficiency: 93%



Technical Specifications

UL Listing:

Suitable for wet locations. Suitable for mounting within 1.2m (4ft) of the ground.

Lumen Maintenance:

100,000-hour LED lifespan based on IES LM-80 results and TM-21 calculations.

Cold Weather Starting:

The minimum starting temperature is -40°F/-40°C.

THD:

7.35% at 120V

Driver:

Two Multi-chip 10W high output long life LED Driver
 Constant Current, Class 2

Ambient Temperature:

Suitable for use in 50°C (122°F) ambient temperatures.

Fixture Efficacy:

65 Lumens per Watt

Color Accuracy:

70 CRI

Color Temperature (Nominal CCT):

5000K (Daylight).

Thermal Management:

Integral cast aluminum mounting pad and external fins for optimal heat sinking to ensure cool operation with maximum LED life and light output.

Housing:

Precision die cast aluminum housing, lens frame and mounting plate.

Two Mounting Options:

Junction Box with 5 Conduit Entry Points and Threaded Plugs for surface mounting plus Cover Plate for mounting over 4" recessed junction box included with WPLED20.

Finish:

Our environmentally friendly polyester powder coatings are formulated for high-durability and long-lasting color, and contains no VOC or toxic heavy metals.

Color Consistency:

7-step MacAdam Ellipse binning to achieve consistent fixture-to-fixture color.

Color Stability:

LED color temperature is warranted to shift no more than 200K in CCT over a 5 year period.

Color Uniformity:

RAB's range of CCT (Correlated color temperature) follows the guidelines of the American National Standard for Specifications for the Chromaticity of Solid State Lighting (SSL) Products, ANSI C78.377-2008.

Green Technology:

RAB LEDs are Mercury, Arsenic and UV free.

Dark Sky Approved:

The International Dark Sky Association has approved this product as a full cutoff, fully shielded luminaire.

For use on LEED Buildings:

IDA Dark Sky Approval means that this fixture can be used to achieve LEED Credits for Light Pollution Reduction.

WPLED20 - continued

Patents:

The LPACK design is protected under patents in the U.S. Pat. D634873, Canada Pat. 133207, China Pat. ZL201030129137, Taiwan Pat. D139540 and Mexico Pat. 32491

IESNA LM-79 & IESNA LM-80 Testing:

RAB LED luminaires have been tested by an independent laboratory in accordance with IESNA LM-79 and 80, and have received the Department of Energy "Lighting Facts" label.

Gaskets:

High Temperature Silicone.

Warranty:

RAB warrants that our LED products will be free from defects in materials and workmanship for a period of five (5) years from the date of delivery to the end user, including coverage of light output, color stability, driver performance and fixture finish. See our full warranty .

Equivalency:

The WPLED20 is Equivalent in delivered lumens to a 150W Metal Halide Wallpack.

HID Replacement Range:

The WPLED20 can be used to replace 100-175W Metal Halide Wallpacks based on delivered lumens.

DLC Listed:

This product is on the Design Lights Consortium (DLC) Qualified Products List and is eligible for rebates from DLC Member Utilities.

