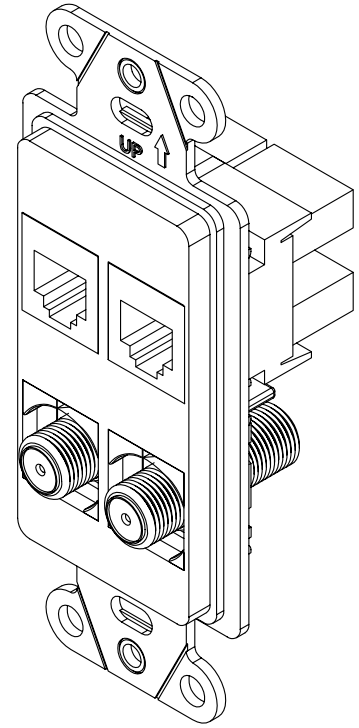


2

1

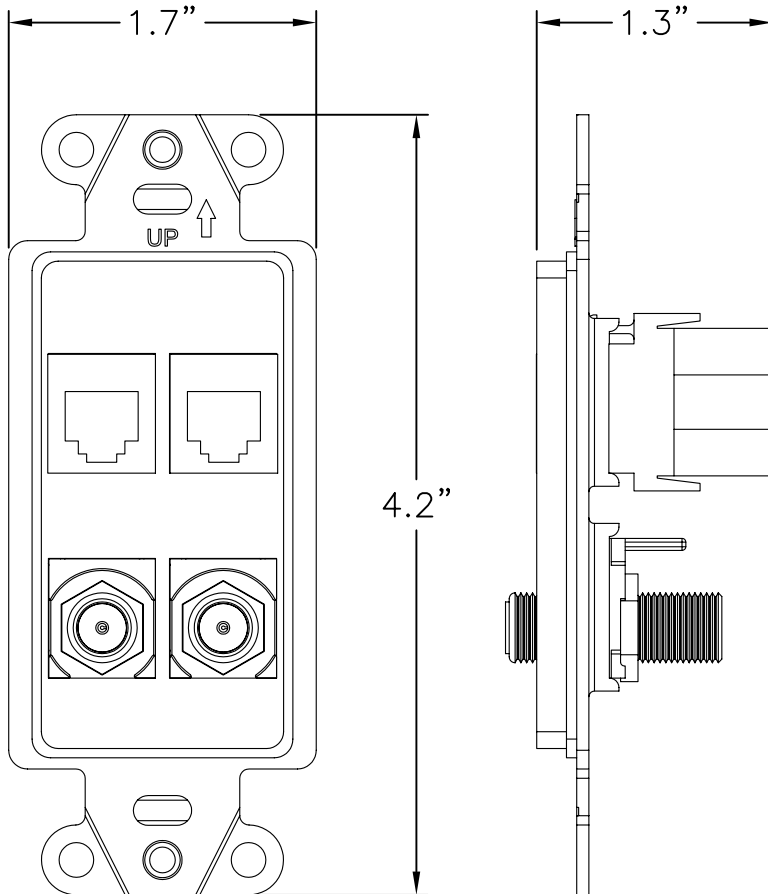
NOTES:

- 1. 2 CAT5E RJ45 AND 2 F-CONNECTORS PREASSEMBLED IN A 4 PORT DECORATOR STRAP
- 2. COLORS AVAILABLE:
BLACK
LIGHT ALMOND
WHITE



B

B



A

A

PROPRIETARY AND CONFIDENTIAL
THE INFORMATION CONTAINED
IN THIS DRAWING IS THE SOLE
PROPERTY OF On-Q/LEGRAND.
ANY REPRODUCTION IN PART OR
AS A WHOLE WITHOUT THE WRITTEN
PERMISSION OF On-Q/LEGRAND
IS PROHIBITED. DRAWING IS SUBJECT
TO CHANGE WITHOUT NOTICE.

on·Q

legrand

P.O. Box 60907
Middletown, PA 17106-0907
1-800-321-2343

TITLE:

**PRECONFIGURED 4 PORT STRAP
PHONE/DATA, RJ45, TV/F-CONN.**

| SIZE | DWG NO | FILE NAME | CUST REV |
|--------------|---------------|------------------|----------|
| A | WP3422 | CD-WP3422 | 1 |
| REVISED DATE | SCALE | SHEET | |
| 11/09/07 | NONE | 1 OF 1 | |

2

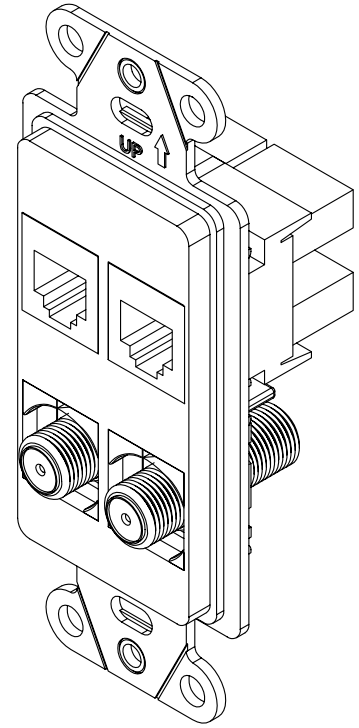
1

2

1

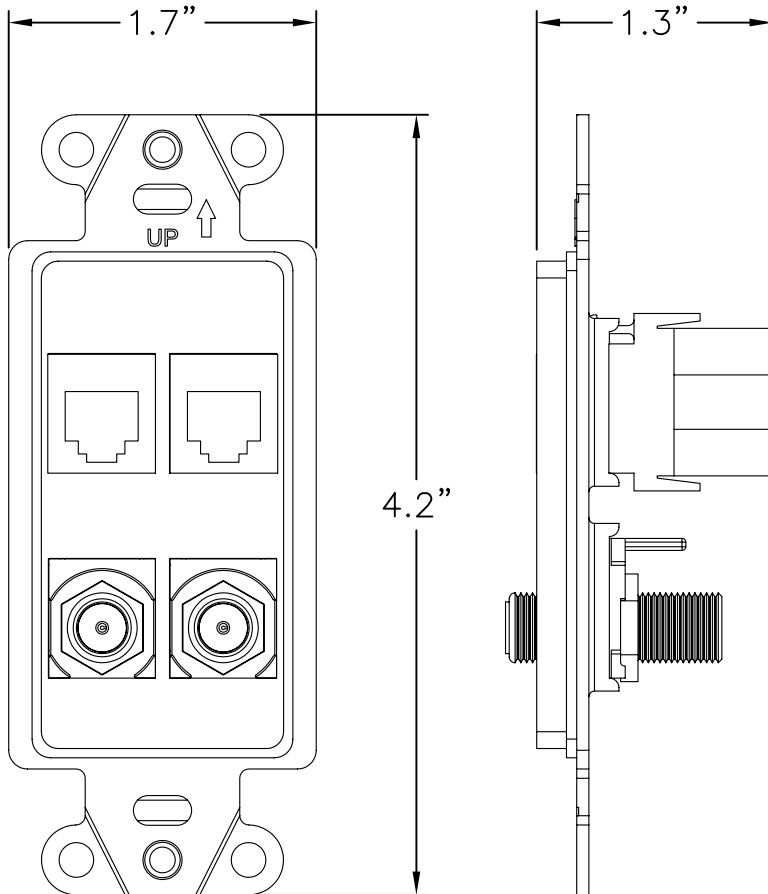
NOTES:

- 1. 2 CAT5E RJ45 AND 2 F-CONNECTORS PREASSEMBLED IN A 4 PORT DECORATOR STRAP
- 2. COLORS AVAILABLE:
BLACK
LIGHT ALMOND
WHITE



B

B



A

A

PROPRIETARY AND CONFIDENTIAL
THE INFORMATION CONTAINED
IN THIS DRAWING IS THE SOLE
PROPERTY OF On-Q/LEGRAND.
ANY REPRODUCTION IN PART OR
AS A WHOLE WITHOUT THE WRITTEN
PERMISSION OF On-Q/LEGRAND
IS PROHIBITED. DRAWING IS SUBJECT
TO CHANGE WITHOUT NOTICE.

on·Q

legrand

P.O. Box 60907
Middletown, PA 17106-0907
1-800-321-2343

TITLE:

**PRECONFIGURED 4 PORT STRAP
PHONE/DATA, RJ45, TV/F-CONN.**

| SIZE | DWG NO | FILE NAME | CUST REV |
|--------------|--------|-----------|----------|
| A | WP3422 | CD-WP3422 | 1 |
| REVISED DATE | SCALE | SHEET | |
| 11/09/07 | NONE | 1 OF 1 | |

2

1