

Project		Catalog #		Type	
Prepared by		Notes		Date	



Greengate

0-10V Decorator

Dimmer Wallstation

- Interactive Menu**
- Order Information page 2
 - Additional Resources page 2
 - Wiring Diagrams page 3
 - Connected Systems page 3
 - Product Warranty

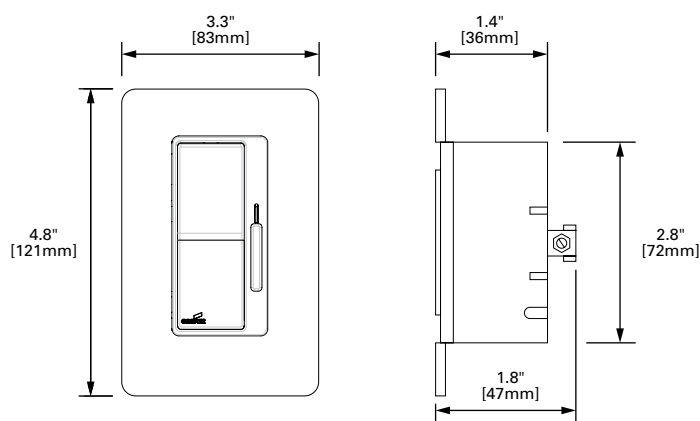
Product Features



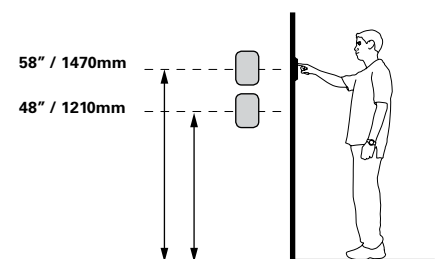
Top Product Features

- Preset feature allows user to return to previous light level when turning lights ON
- Integrated full-slide control for easy, precise operation
- Can be wired as Single-pole or 3-way
- Neutral is not required for installation of device
- Adjustable high-level trim setting for optimal lamp compatibility

Dimensional and Mounting Details



Scale or Mounting Height



[additional product diagrams](#)

Order Information

SAMPLE ORDER NUMBER: **WBSD-010DEC-C1, WBSD-010DEC-C2, WBSD-010DEC-C5**

* Wallplate not included: This is an accessory for the Greengate Lighting Control System. When ordering, specify the 0-10V dimming wallstation as a separate system accessory.

Catalog Number

Catalog Number	Description
WBSD-010DEC-C1	Decorator Dimmer 0-10V, 120/277 VAC, w/White, Ivory and Almond faceplate color kit
WBSD-010DEC-C2	Decorator Dimmer 0-10V, 120/277 VAC, w/White, Ivory and Almond faceplate color kit
WBSD-010DEC-C5	Decorator Dimmer 0-10V, 120/277 VAC, w/White, Black and Gray faceplate color kit
Notes Refer to Screwless Wallplate Spec Sheet for ordering information at www.eaton.com/lighting	Notes Custom engraving is not available on 0-10V dimming wallstations.

Product Specifications

Switch Type

- Single -pole and 3-way

Mechanical

Environment:

- **Operating temperature:** -4°F - 158°F (-20°C to 70°C)

Electrical

Electrical ratings (per relay):

- 120 VAC
 - Max. Load: 10 amps, 1200W, 60 Hz
- 277VAC
 - Max. Load: 6 amps, 1660W, 60 Hz

Wiring Types:

- Back & side wiring terminals; 12-14 AWG (Copper wire)
- 0-10V wire leads; 16 AWG

Controls and Performance

Light intensity control:

- Full range, continuously variable dimming
- Adjustable high-level trim setting

Power Failure Memory

- Light returns to same level prior to power interruption

Standards/Ratings

Flammability:

- Meets UL 94 requirements
- V2 rated

Warranty

Five year warranty standard

Overview

The 0-10V Decorator Dimmer provides full-range classic linear-slide dimming for 0-10 Volt compatible dimmable light sources. These units are ideal for light commercial applications and are compatible with decorator style devices and wallplates. Units feature a preset "ON/OFF" switch that automatically returns controlled light(s) to a preset level without disturbing the brightness level. The device is designed for both Single-pole (one location) and 3-way (multi-location) applications.

Wiring Diagrams

FIGURE 1: SINGLE-POLE WIRING DIAGRAM

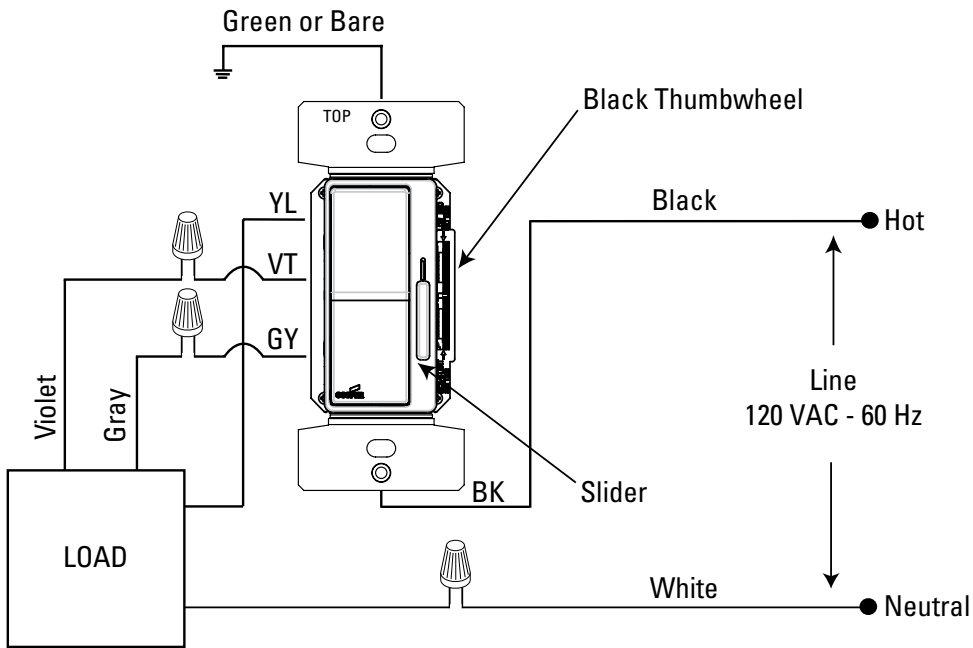
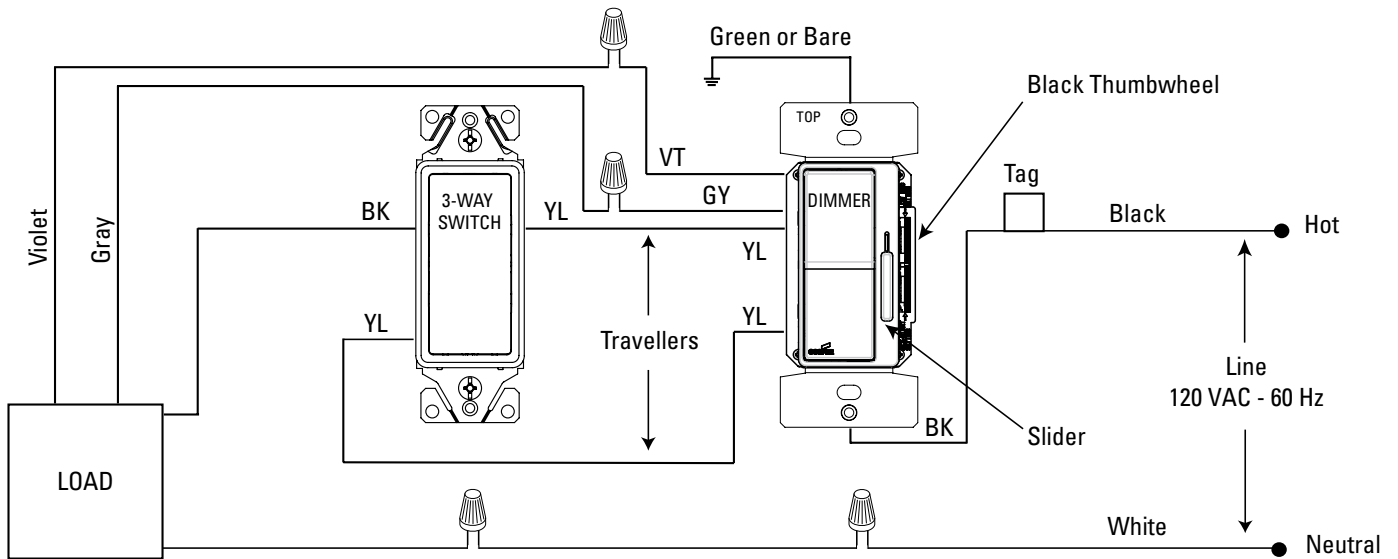



FIGURE 2: 3-WAY WIRING DIAGRAM



*Can be installed on load or line side in 3-way applications

 **Control Systems**
• Greengate