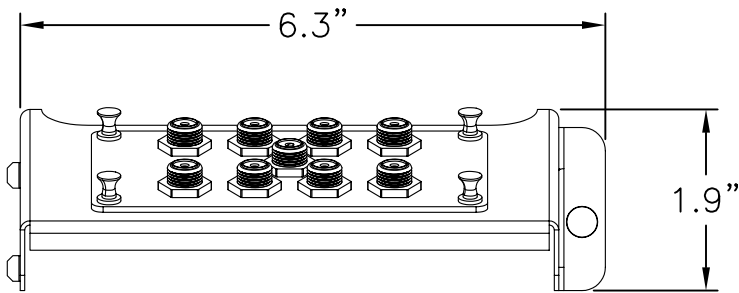
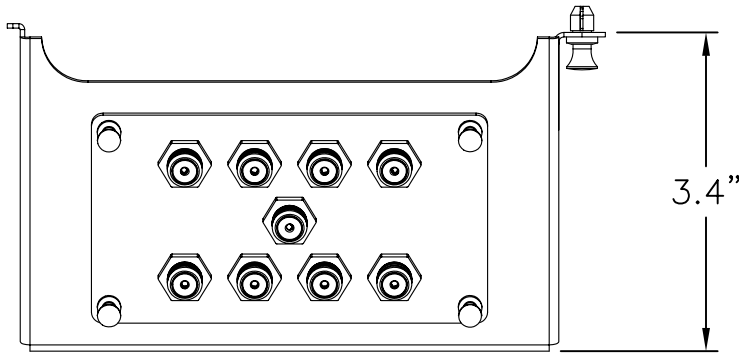
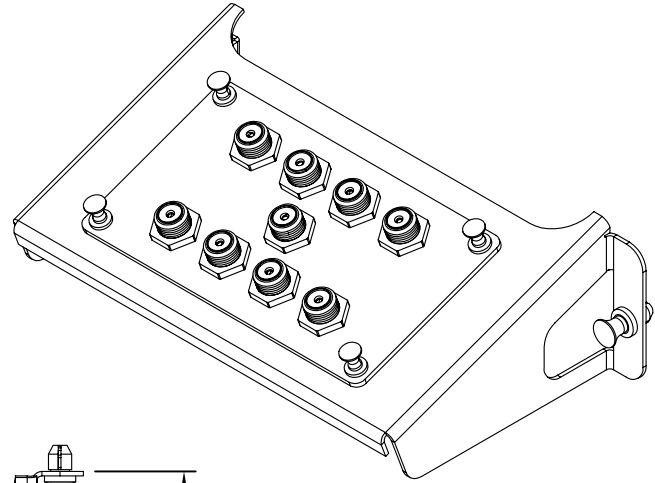


2

1

NOTES:

- 1. NOMINAL IMPEDANCE: 75 ohms
- 2. F-CONNECTOR TYPE: ANSI/SCTE COMPLIANT SEALED BRASS
- 3. POWER REQUIREMENTS: NONE
- 4. INPUT CONNECTIONS: 1
- 5. OUTPUT CONNECTIONS: 8
- 6. OPERATING TEMPERATURE: -40° TO 60°C
- 7. INSERTION LOSS: 11dB



B

B

A

A

PROPRIETARY AND CONFIDENTIAL
 THE INFORMATION CONTAINED
 IN THIS DRAWING IS THE SOLE
 PROPERTY OF On-Q/LEGRAND.
 ANY REPRODUCTION IN PART OR
 AS A WHOLE WITHOUT THE WRITTEN
 PERMISSION OF On-Q/LEGRAND
 IS PROHIBITED. DRAWING IS SUBJECT
 TO CHANGE WITHOUT NOTICE.

on·Q

legrand

P.O. Box 60907
 Middletown, PA 17106-0907
 1-800-321-2343

TITLE:

**1 X 8 ENHANCED PASSIVE VIDEO
 SPLITTER/COMBINER**

SIZE A	DWG NO VM1002	FILE NAME CD-VM1002	CUST REV 1
REVISED DATE 11/06/07	SCALE NONE	SHEET 1 OF 1	

2

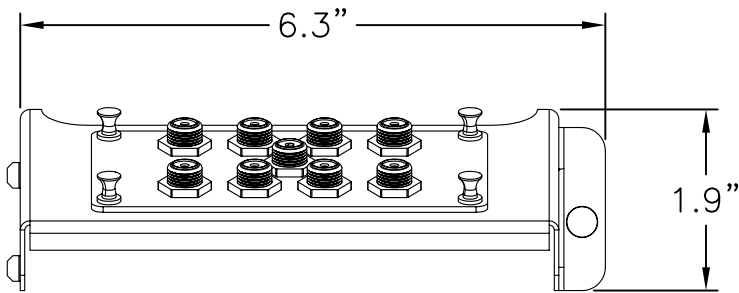
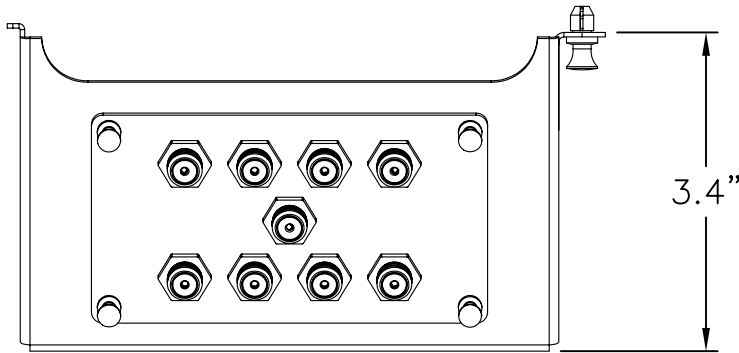
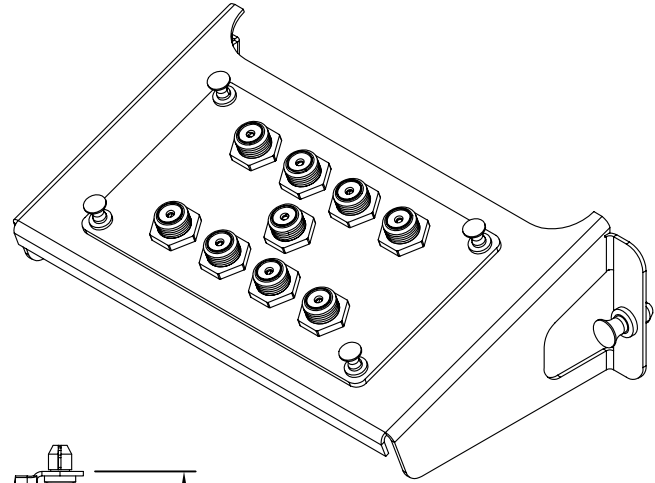
1

2

1

NOTES:

- 1. NOMINAL IMPEDANCE: 75 ohms
- 2. F-CONNECTOR TYPE: ANSI/SCTE COMPLIANT SEALED BRASS
- 3. POWER REQUIREMENTS: NONE
- 4. INPUT CONNECTIONS: 1
- 5. OUTPUT CONNECTIONS: 8
- 6. OPERATING TEMPERATURE: -40° TO 60°C
- 7. INSERTION LOSS: 11dB



B

B

A

A

PROPRIETARY AND CONFIDENTIAL
 THE INFORMATION CONTAINED
 IN THIS DRAWING IS THE SOLE
 PROPERTY OF On-Q/LEGRAND.
 ANY REPRODUCTION IN PART OR
 AS A WHOLE WITHOUT THE WRITTEN
 PERMISSION OF On-Q/LEGRAND
 IS PROHIBITED. DRAWING IS SUBJECT
 TO CHANGE WITHOUT NOTICE.

on·Q

legrand

P.O. Box 60907
 Middletown, PA 17106-0907
 1-800-321-2343

TITLE:

**1 X 8 ENHANCED PASSIVE VIDEO
 SPLITTER/COMBINER**

SIZE A	DWG NO VM1002	FILE NAME CD-VM1002	CUST REV 1
REVISED DATE 11/06/07	SCALE NONE	SHEET 1 OF 1	

2

1