

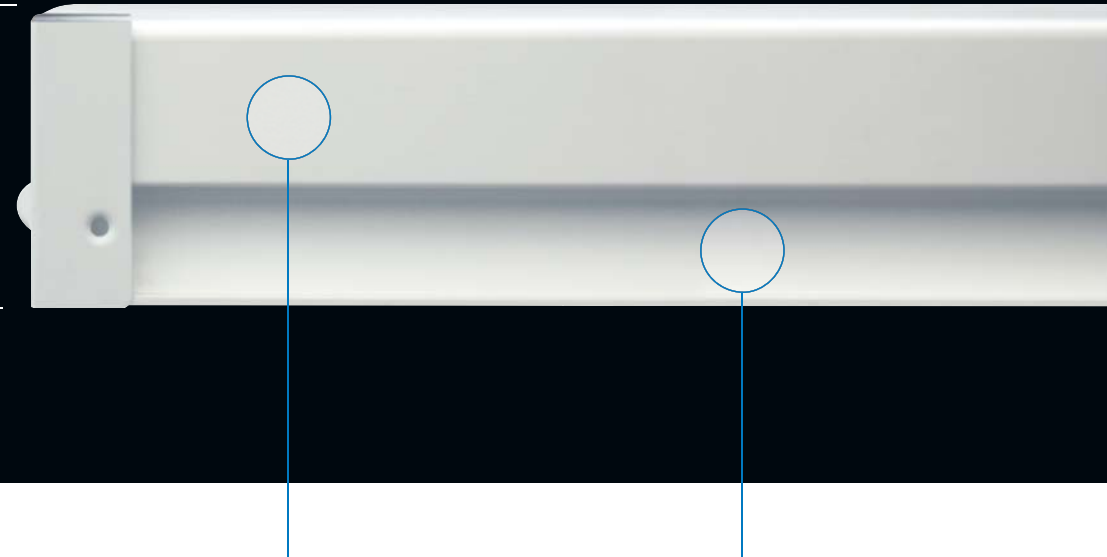
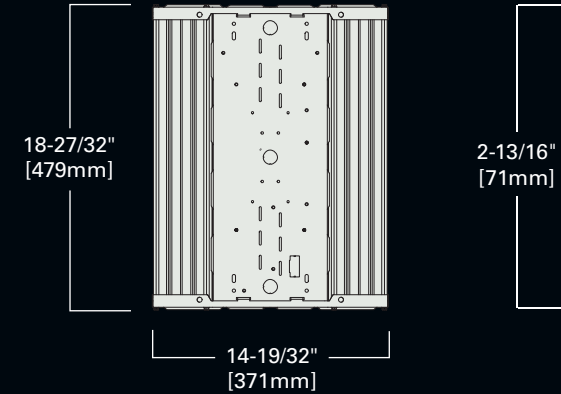
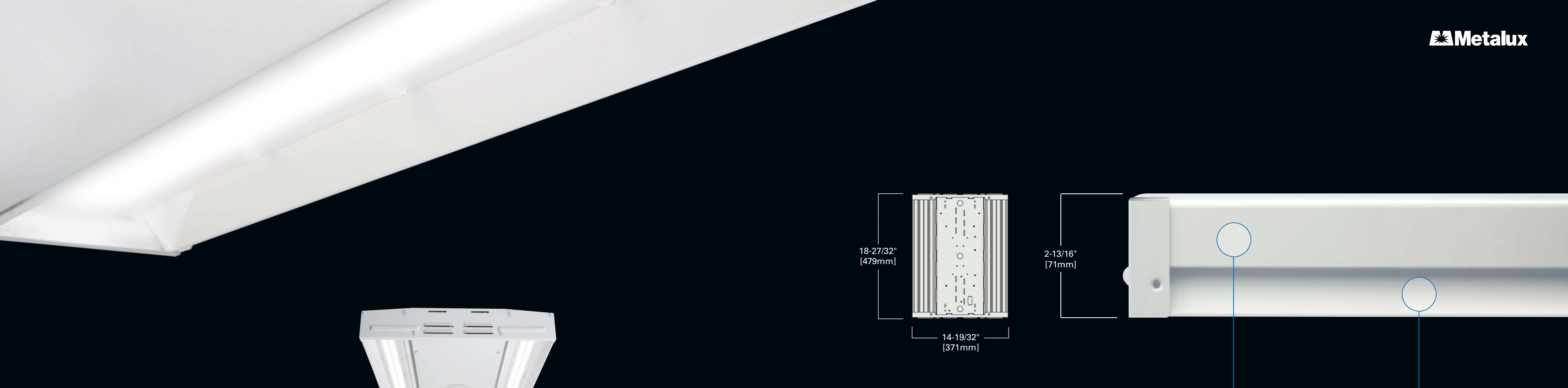
**VHB LED**  
High bay luminaire

 **Metalux**



**EATON**

*Powering Business Worldwide*



## VHB LED high bay

The **VHB** is designed for a wide variety of applications and mounting heights with a balance of fixture performance and affordability. Precision-designed optics, multiple distributions, lumen outputs and color temperatures make the VHB ideal for industrial, commercial, manufacturing, gymnasium and other applications that utilize traditional linear fluorescent and HID high bays. The proprietary discrete, low-brightness LED module assembly offers exceptional optical performance with the enhanced benefits of LED lighting, including energy savings, extended system life, and reduced carbon footprint.

**Perfect for renovation or new construction!**

**Ideal one-for-one replacement!**

**No maintenance required!**

**Bottom line savings and industry leading performance!**



### Compact and durable construction

- Extruded aluminum and CRS construction for added durability
- Compact 15" x 18" low-profile housing
- Precision-designed, high-impact polycarbonate optics
- Suspension mountable with V-Hangers (supplied)

### Energy saving LED

- Up to 65% energy savings
- Optional sensor for added energy savings
- No relamping required
- 12' – 30' mounting heights



## Construction

VHB high bay
Compact 15" x 18" design for ease of installation
Durable extruded aluminum and CRS construction
High-impact polycarbonate lens protects LEDs
Five lumen packages (9,000, 12,000, 15,000, 18,000, 24,000)
Ideal for 12' - 30' mounting heights
Suspension mountable with V-Hangers (supplied)
Optional single-point mounting kit reduces installation time
Easy one-for-one replacement
Optional wire guard for added protection

## Mounting

VHB-SPM=Single point mount adapter kit	FH-1=2-1/2" fixture hook	FL-1=2-1/2" fixture loop	HBAYC-CHAIN/SET/U= Hook style mounting chain set	Y-Toggle= Mounting toggle and cable
				

## Compliance and approvals

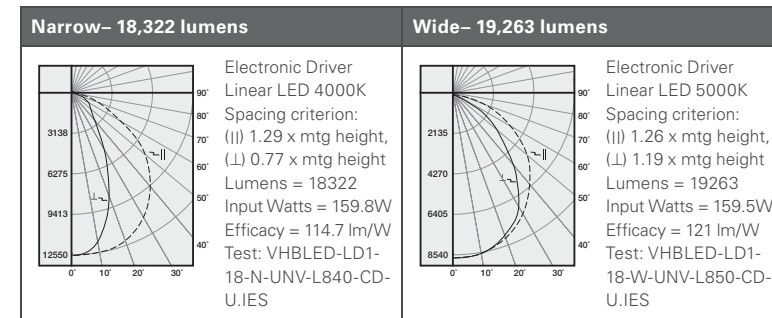




## Performance

VHB high bay
Up to 65% energy savings compared to traditional high bay fixtures
High-performance efficacy up to 133 lumens per watt
Three Correlated Color Temperatures (3500K, 4000K, 5000K) at typical 85 CRI
Precision optics in Narrow and Wide distribution
Lumen maintenance of L83 @ 60,000 hours
Optional sensor control for added energy savings
Binning: Per ANSI, 3-step MacAdam ellipse

## Photometrics



## Optional advanced technology

Integrated sensor technology	LumaWatt Pro
<p><i>INtuitive, INtelligent, INtegrated.</i></p> <p>Combining the control within the light fixture reduces installation and design time; while meeting energy codes.</p>	<p>LumaWatt Pro powered by Enlighted is an integrated system of luminaires, digital sensors, and application-based software for any size project.</p> <p><b>LumaWatt Pro</b> Connected Lighting Wireless System   <b>enlighted</b></p>

## Energy data

Catalog number	Delivered lumens	Watts	Efficacy (lm/W)
<b>Narrow</b>			
VHBLED-LD1-9-N-UNV-L840-CD1-U	8885	70	127
VHBLED-LD1-9-N-UNV-L850-CD1-U	8999	70	129
VHBLED-LD1-12-N-UNV-L840-CD1-U	12374	100	124
VHBLED-LD1-12-N-UNV-L850-CD1-U	12533	100	125
VHBLED-LD1-15-N-UNV-L840-CD1-U	15020	124	121
VHBLED-LD1-15-N-UNV-L850-CD1-U	15213	124	123
VHBLED-LD1-18-N-UNV-L840-CD1-U	18323	160	115
VHBLED-LD1-18-N-UNV-L850-CD1-U	18559	160	116
VHBLED-LD1-24-N-UNV-L840-CD1-U	23292	213	109
VHBLED-LD1-24-N-UNV-L850-CD1-U	23592	213	111
<b>Wide</b>			
VHBLED-LD1-9-W-UNV-L840-CD1-U	9004	70	129
VHBLED-LD1-9-W-UNV-L850-CD1-U	9341	70	133
VHBLED-LD1-12-W-UNV-L840-CD1-U	12540	100	125
VHBLED-LD1-12-W-UNV-L850-CD1-U	13009	100	130
VHBLED-LD1-15-W-UNV-L840-CD1-U	15221	124	123
VHBLED-LD1-15-W-UNV-L850-CD1-U	15417	124	124
VHBLED-LD1-18-W-UNV-L840-CD1-U	18568	160	116
VHBLED-LD1-18-W-UNV-L850-CD1-U	19263	160	120
VHBLED-LD1-24-W-UNV-L840-CD1-U	23604	213	111
VHBLED-LD1-24-W-UNV-L850-CD1-U	23908	213	112





**Lighting Product Lines**

Halo  
Halo Commercial  
Portfolio  
Iris  
RSA  
Metalux  
Corelite  
Neo-Ray  
Fail-Safe  
MWS  
Ametrix  
Shaper  
io  
Lumark  
McGraw-Edison  
Invue  
Ephesus  
Lumière  
Streetworks  
AtLite  
Sure-Lites

**Controls Product Lines**

Greengate  
iLumin  
Zero 88  
Fifth Light Technology  
iLight (International Only)



**Eaton**  
1121 Highway 74 South  
Peachtree City, GA 30269  
P: 770-486-4800  
[www.eaton.com/lighting](http://www.eaton.com/lighting)

**Canada Sales**  
5925 McLaughlin Road  
Mississauga, Ontario L5R 1B8  
P: 905-501-3000  
F: 905-501-3172

© 2017 Eaton  
All Rights Reserved  
Printed in USA  
Publication No. BR507010EN  
November 16, 2017

Eaton is a registered trademark.

All other trademarks are property of their respective owners.

Product availability, specifications, and compliances are subject to change without notice.

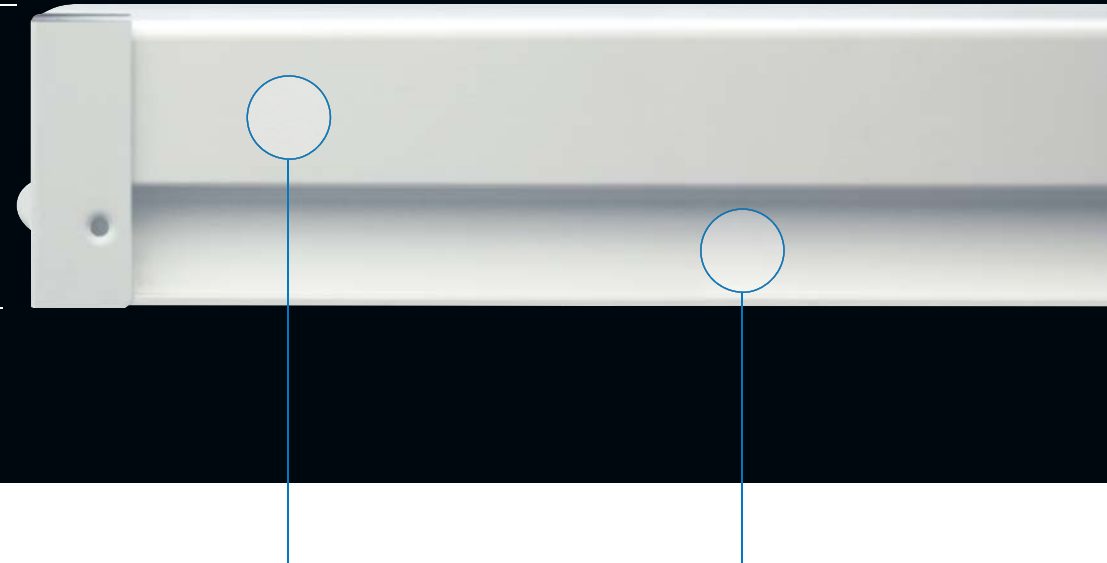
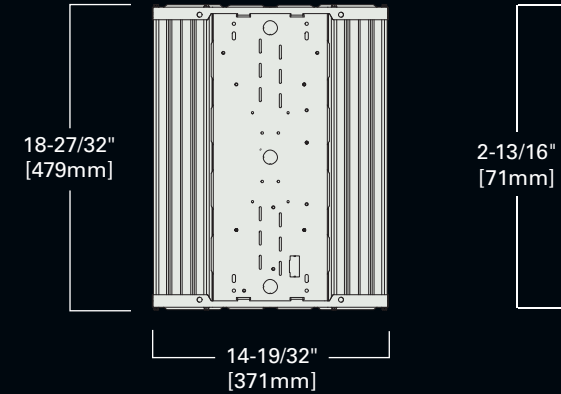
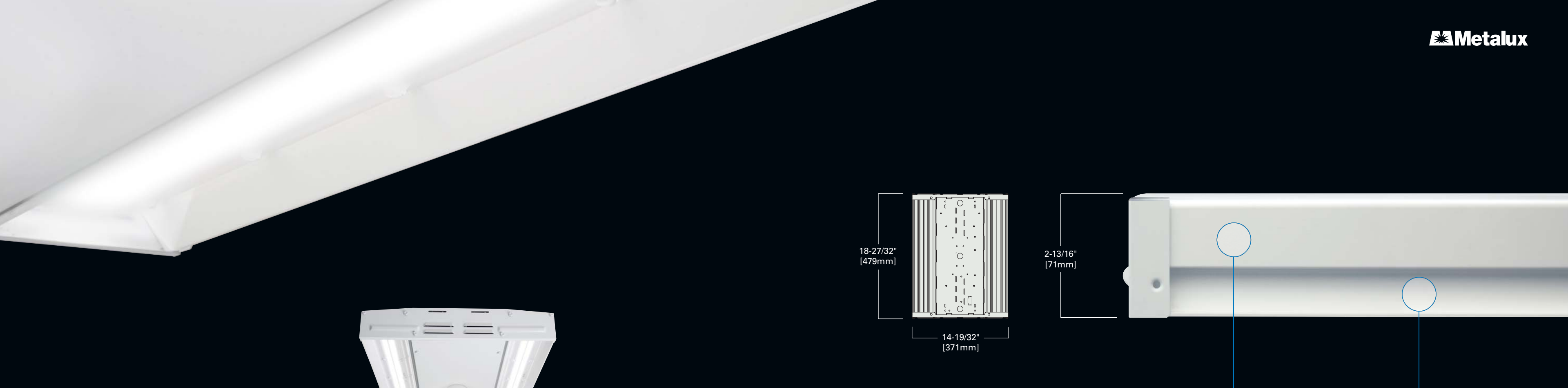
**VHB LED**  
High bay luminaire

 **Metalux**



**EATON**

*Powering Business Worldwide*



## VHB LED high bay

The **VHB** is designed for a wide variety of applications and mounting heights with a balance of fixture performance and affordability. Precision-designed optics, multiple distributions, lumen outputs and color temperatures make the VHB ideal for industrial, commercial, manufacturing, gymnasium and other applications that utilize traditional linear fluorescent and HID high bays. The proprietary discrete, low-brightness LED module assembly offers exceptional optical performance with the enhanced benefits of LED lighting, including energy savings, extended system life, and reduced carbon footprint.

**Perfect for renovation or new construction!**

**Ideal one-for-one replacement!**

**No maintenance required!**

**Bottom line savings and industry leading performance!**



### Compact and durable construction

- Extruded aluminum and CRS construction for added durability
- Compact 15" x 18" low-profile housing
- Precision-designed, high-impact polycarbonate optics
- Suspension mountable with V-Hangers (supplied)

### Energy saving LED

- Up to 65% energy savings
- Optional sensor for added energy savings
- No relamping required
- 12' – 30' mounting heights



# Construction

VHB high bay
Compact 15" x 18" design for ease of installation
Durable extruded aluminum and CRS construction
High-impact polycarbonate lens protects LEDs
Five lumen packages (9,000, 12,000, 15,000, 18,000, 24,000)
Ideal for 12' - 30' mounting heights
Suspension mountable with V-Hangers (supplied)
Optional single-point mounting kit reduces installation time
Easy one-for-one replacement
Optional wire guard for added protection

# Mounting

VHB-SPM=Single point mount adapter kit	FH-1=2-1/2" fixture hook	FL-1=2-1/2" fixture loop	HBAYC-CHAIN/SET/U= Hook style mounting chain set	Y-Toggle= Mounting toggle and cable
				

# Compliance and approvals

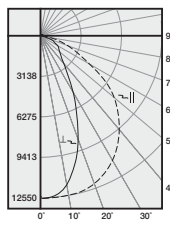
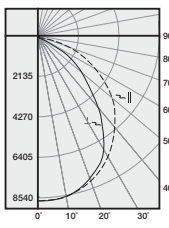





## Performance

VHB high bay
Up to 65% energy savings compared to traditional high bay fixtures
High-performance efficacy up to 133 lumens per watt
Three Correlated Color Temperatures (3500K, 4000K, 5000K) at typical 85 CRI
Precision optics in Narrow and Wide distribution
Lumen maintenance of L83 @ 60,000 hours
Optional sensor control for added energy savings
Binning: Per ANSI, 3-step MacAdam ellipse

## Photometrics

Narrow – 18,322 lumens	Wide – 19,263 lumens
 <p>Electronic Driver Linear LED 4000K Spacing criterion: (II) 1.29 x mtg height, (I) 0.77 x mtg height Lumens = 18322 Input Watts = 159.8W Efficacy = 114.7 lm/W Test: VHBLED-LD1-18-N-UNV-L840-CD-U.IES</p>	 <p>Electronic Driver Linear LED 5000K Spacing criterion: (II) 1.26 x mtg height, (I) 1.19 x mtg height Lumens = 19263 Input Watts = 159.5W Efficacy = 121 lm/W Test: VHBLED-LD1-18-W-UNV-L850-CD-U.IES</p>

## Optional advanced technology

Integrated sensor technology	LumaWatt Pro
<p><i>INtuitive, INtelligent, INtegrated.</i></p> <p>Combining the control within the light fixture reduces installation and design time; while meeting energy codes.</p> 	<p>LumaWatt Pro powered by Enlighted is an integrated system of luminaires, digital sensors, and application-based software for any size project.</p> <p><b>LumaWatt Pro</b> Connected Lighting Wireless System   <b>enlighted</b></p>

## Energy data

Catalog number	Delivered lumens	Watts	Efficacy (lm/W)
<b>Narrow</b>			
VHBLED-LD1-9-N-UNV-L840-CD1-U	8885	70	127
VHBLED-LD1-9-N-UNV-L850-CD1-U	8999	70	129
VHBLED-LD1-12-N-UNV-L840-CD1-U	12374	100	124
VHBLED-LD1-12-N-UNV-L850-CD1-U	12533	100	125
VHBLED-LD1-15-N-UNV-L840-CD1-U	15020	124	121
VHBLED-LD1-15-N-UNV-L850-CD1-U	15213	124	123
VHBLED-LD1-18-N-UNV-L840-CD1-U	18323	160	115
VHBLED-LD1-18-N-UNV-L850-CD1-U	18559	160	116
VHBLED-LD1-24-N-UNV-L840-CD1-U	23292	213	109
VHBLED-LD1-24-N-UNV-L850-CD1-U	23592	213	111
<b>Wide</b>			
VHBLED-LD1-9-W-UNV-L840-CD1-U	9004	70	129
VHBLED-LD1-9-W-UNV-L850-CD1-U	9341	70	133
VHBLED-LD1-12-W-UNV-L840-CD1-U	12540	100	125
VHBLED-LD1-12-W-UNV-L850-CD1-U	13009	100	130
VHBLED-LD1-15-W-UNV-L840-CD1-U	15221	124	123
VHBLED-LD1-15-W-UNV-L850-CD1-U	15417	124	124
VHBLED-LD1-18-W-UNV-L840-CD1-U	18568	160	116
VHBLED-LD1-18-W-UNV-L850-CD1-U	19263	160	120
VHBLED-LD1-24-W-UNV-L840-CD1-U	23604	213	111
VHBLED-LD1-24-W-UNV-L850-CD1-U	23908	213	112





**Lighting Product Lines**

Halo  
Halo Commercial  
Portfolio  
Iris  
RSA  
Metalux  
Corelite  
Neo-Ray  
Fail-Safe  
MWS  
Ametrix  
Shaper  
io  
Lumark  
McGraw-Edison  
Invue  
Ephesus  
Lumière  
Streetworks  
AtLite  
Sure-Lites

**Controls Product Lines**

Greengate  
iLumin  
Zero 88  
Fifth Light Technology  
iLight (International Only)



**Eaton**  
1121 Highway 74 South  
Peachtree City, GA 30269  
P: 770-486-4800  
[www.eaton.com/lighting](http://www.eaton.com/lighting)

**Canada Sales**  
5925 McLaughlin Road  
Mississauga, Ontario L5R 1B8  
P: 905-501-3000  
F: 905-501-3172

© 2017 Eaton  
All Rights Reserved  
Printed in USA  
Publication No. BR507010EN  
November 16, 2017

Eaton is a registered trademark.

All other trademarks are property of their respective owners.

Product availability, specifications, and compliances are subject to change without notice.