

Protecting People From Electrical Shock Hazards

ArrowHart's complete offering of Ground Fault Circuit Interrupters (GFCIs) is built to meet every need in commercial, industrial and institutional settings, whether permanent or temporary – and is fully compliant with the latest UL943 standards for GFCIs



Hospital Specification Grade GFCIs
Designed for safety and reliability, Arrow Hart GFCI receptacles meet the strict standards of UL943 (GFCI) and UL498 (Hospital Grade Receptacle Standards). Plus, our broad line provides solutions including Tamper Resistant, ArrowLink Modular and NAFTA compliant versions.



Specification Grade GFCIs
Arrow Hart GFCI receptacles meet the stringent UL943 (GFCI) standards, plus our broad line provides solutions for commercial, industrial and institutional applications.

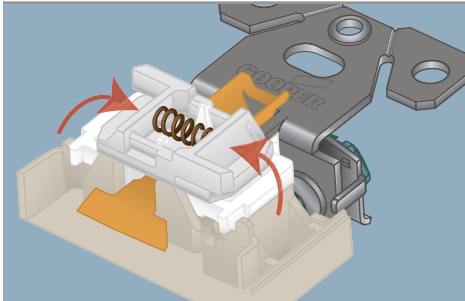


Industrial Grade Portable GFCIs
Specifically designed to protect personnel and equipment from ground fault hazards in indoor or outdoor job site applications.

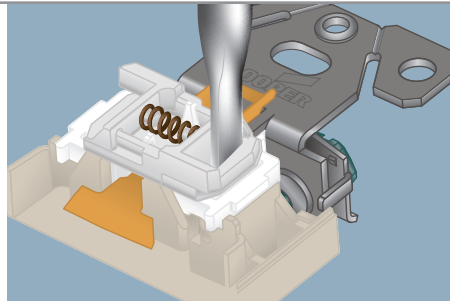


Tamper Resistant, Weather Resistant, and Tamper & Weather Resistant Receptacles

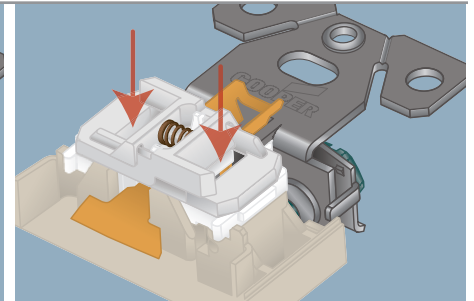
How the Tamper Resistant System Works:



Shutters restrict access in closed position.



Insertion of object in any one side will not open shutters.



Insertion of two-bladed plug or grounding plug will open shutters.



“TR” mold mark provides quick visual confirmation of tamper resistance when installed.



“WR” identifier quickly indicates during inspections that a weather resistant receptacle has been installed.



Both the “TR” mold mark and “WR” identifier are clearly visible in the finished installation, indicating double-layer protection for maximum safety.

A) Commercial Locations 2011 NEC
406.13 Guest Rooms & Guest Suites
406.14 Child Care Facilities
517.18 (C) Pediatric Locations
 Receptacles located in these areas shall be listed under tamper resistant or employ a listed tamper resistant cover.

B) Dwelling Units
2011 NEC - 406.12
 In all areas specified in 210.52 all 125-volt, 15- and 20-amp receptacles shall be listed tamper resistant receptacles.

C) Damp or Wet Locations
2011 NEC - 406.9
 All 15- and 20-amp, 125- and 250-volt non-locking receptacles installed in wet or damp locations shall be weather resistant receptacles.

Build-To-Spec

For Receptacles, Switches, GFCIs & TVSS devices

Modified at the factory to improve efficiency and speed production at the job site. Arrow Hart’s Build-To-Spec program provides customized device solutions to simplify your project and maximize your bottom line.

Sample Number:

VGF20W PSOL X Z G P

ARROW/HART™
 Base Catalog Number
 (including device color)

Add 6" leads
 PSOL = #12 AWG solid
 PSTR = #12 AWG stranded

Remove mounting screws

Remove ears

Remove ground clip

Add push-in connector**

Arrow Hart 20A 125V NEMA 5-20 white GFCI receptacle, with wire leads and push-in connectors, without mounting screws, ears, or grounding clip.



BUILD-TO-SPEC
 CUSTOM CONFIGURED DEVICES
ARROW/HART™

**For use with leaded receptacles only. Add “PSOL” to back of receptacle catalog number for 6” of #12 AWG solid or “PSTR” for 6” of #12 AWG stranded. (Example: VGF20W PSOL + Build to Spec Options).

All receptacles are bulk packed 50 pieces per carton. Minimum order quantity is 100 pieces. Orders under 500 pieces ship within 5 days with larger quantities typically within 10 days.

ArrowLink™

Arrow Hart's factory terminated ArrowLink system revolutionizes device installation, unleashing ground breaking labor savings in installation and maintenance by eliminating traditional pigtail, terminal connections and taping. Use ArrowLink on your next job to reduce labor costs, eliminate installation errors, save money and win!

Color coded terminals for consistent, reliable connections

Durable polycarbonate housing

Terminal accommodation #12-#14 AWG, solid only

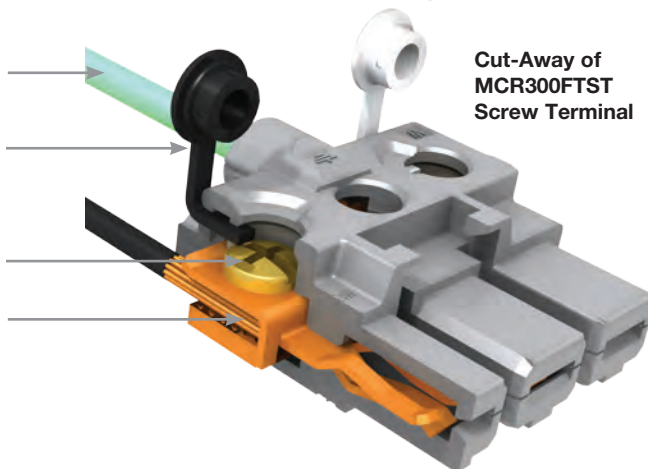
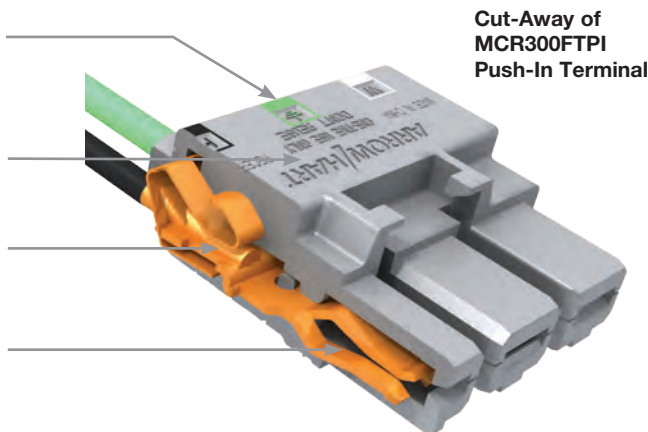
Copper alloy contacts for superior wire retention and minimized heat rise

6", #12 AWG ground lead with ring terminal and captive ground screw

Color coded terminal screws guard caps

Color coded terminal screws

Terminal accommodation #12-#14 AWG, solid or stranded



ArrowLink SPD Benefits

**EASE OF INSTALLATION:**

No more twist-on wire connectors

**50% TIME SAVINGS:**

SPD accelerates both rough-in & trim out installation

**EFFICIENT DESIGN:**

Low profile connection with feed-through capability



30% REDUCTION
in wire volume inside the box

How To Order



1. Select a device to ArrowLink enable. Catalog pages identify available products—simply add an “M” to the catalog number and the devices will be factory enabled with the ArrowLink device-side connection. (For GFCIs add “MOD” suffix)



2. Choose from leaded or unleaded ArrowLink connector versions in screw-down or push-in models.

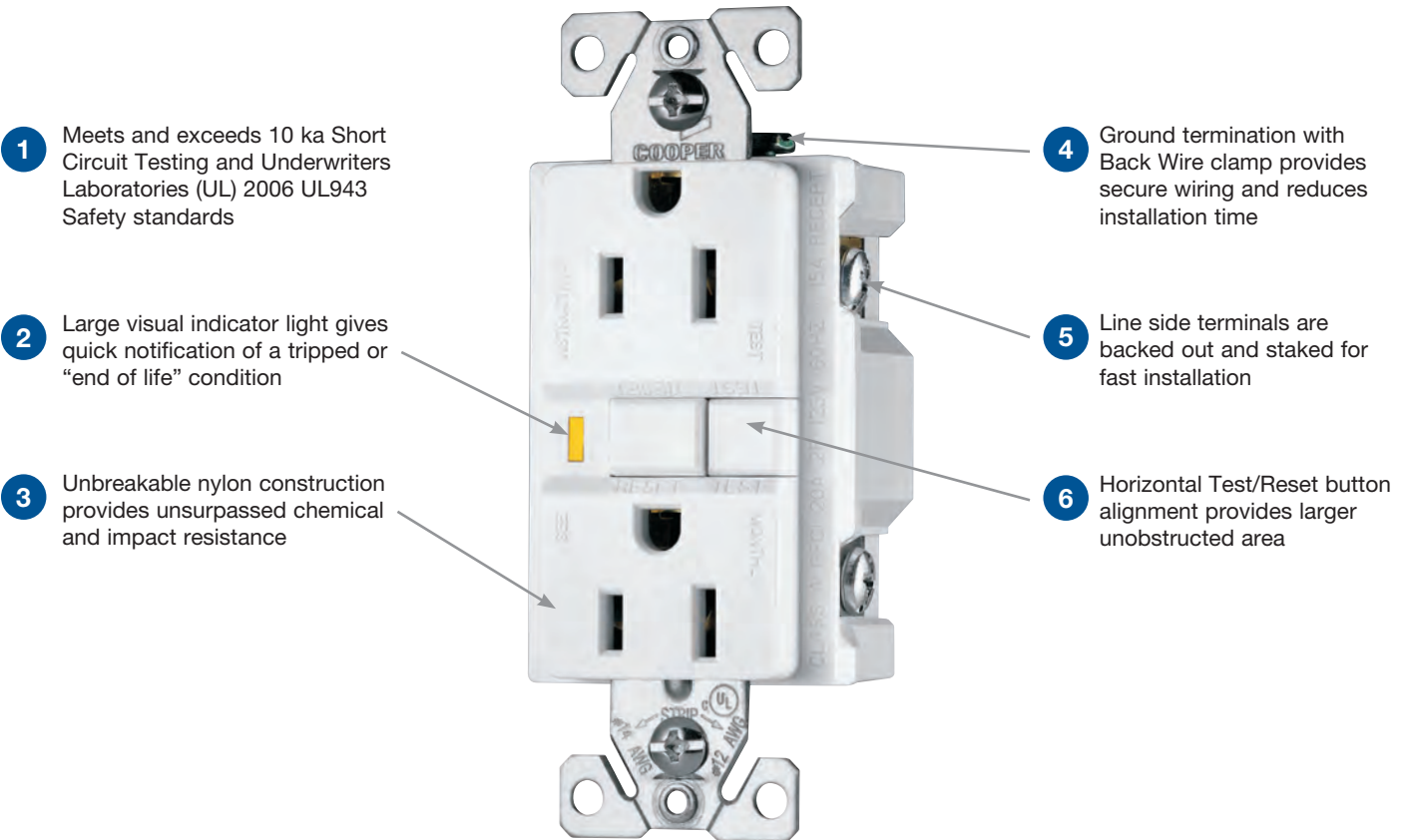


3. Place your order and get your ArrowLink devices in bulk packed boxes, shipped within 5 days of receipt of order!

ShockSentry™ GFCIs Provide State-of-the-Art, Dependable Electrical Shock Protection

In addition to being tested to the highest standards to help ensure safety, Arrow Hart GFCIs will deny power and prevent re-setting if the device is no longer able to provide safe, protected power

ShockSentry™ Ground Fault Circuit Interrupter



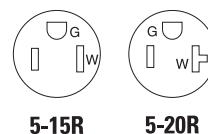
ShockSentry™ Ground Fault Circuit Interrupter

Additional Features & Benefits

- Tapered Back Wire openings handle multiple wire sizes and types for applications up to #10 AWG solid or stranded wire
- When downstream receptacles are wired from load side, a 20 amp feed-through rating offers full protection
- Test and reset buttons are color matched to provide superior aesthetics
- Longer, wider “bridge” strap provides 40% more contact area with wallboard, virtually eliminating floating installations
- Exclusive built-in wire stripper provides fast stripping of wire without tools
- Line-load miswiring protection: ShockSentry GFCI's will not provide power downstream when wired incorrectly
- Tri-combo head terminal and mounting screws

Specification Grade Ground Fault Circuit Interrupter Receptacles

2-Pole, 3-Wire Grounding
15A, 125V/AC; 20A, 125V/AC
NEMA 5-15, 5-20



Specification Grade Automatic Ground GFCIs

Rating	A	V/AC	NEMA	Description	Color Suffix	Catalog No.
15	125	5-15R	Auto Ground Duplex GFCI, Back & Side Wire	V, W	<input type="checkbox"/> VGF15__-AG	
20	125	5-20R	Duplex Receptacle, Back & Side Wire	V, W	<input type="checkbox"/> VGF20__-AG	

Tamper Resistant Specification Grade Automatic Ground GFCIs

Rating	A	V/AC	NEMA	Description	Color Suffix	Catalog No.
15	125	5-15R	Duplex GFCI, Back & Side Wire	A, B, BK, GY, LA, V, W	<input type="checkbox"/> TRVGF15__-AG	
20	125	5-20R	Duplex GFCI, Back & Side Wire	A, B, BK, GY, LA, V, W	<input type="checkbox"/> TRVGF20__-AG	

Specification Grade Combination GFCI Receptacle & Switch

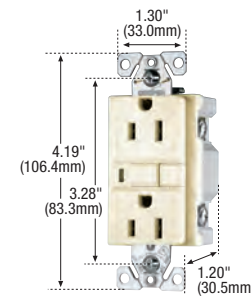
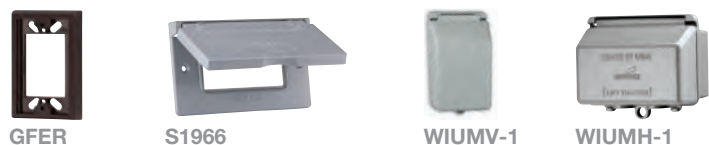
Rating	A	V/AC	NEMA	Description	Color Suffix	Catalog No.
15	125	5-15R	GFCI Receptacle with Feed-Through Single-Pole Switch (rated 1800W @ 120V/AC, 60Hz)	V, W	<input type="checkbox"/> VGFS15__-MSP	

Specification Grade Blank Face GFCI

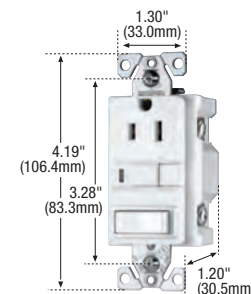
Rating	A	V/AC	Description	Color Suffix	Catalog No.
20	125	Blank Face (Dead Front) GFCI, Rated as 1.5HP Motor Control Switch, Back & Side Wire	V, W	<input type="checkbox"/> VGFD20__	

Accessories for GFCIs

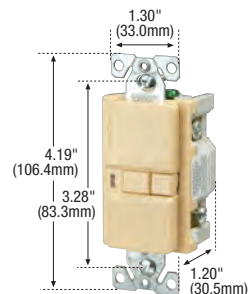
Description	Color Suffix	Catalog No.	
GFCI 7/8" extension ring, cULus Listed	B, BK, LA, V, W	<input type="checkbox"/> GFER__	
Metal self-closing horizontal 1-Gang weather protective cover, decorator opening		<input type="checkbox"/> S1966	•
While-In-Use metal weather protective standard depth 1-Gang cover, vertical mount		<input type="checkbox"/> WIUMV-1	•



VGF15-AG

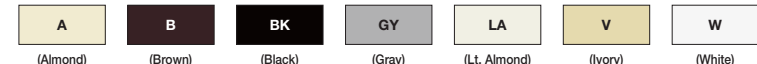


VGFS15-MSP



VGFD20

Color Ordering Information:
For ordering devices, include Catalog No. followed by the Color Suffix: A (Almond), B (Brown), BK (Black), GY (Gray), LA (Light Almond), V (Ivory), W (White)



Specification Information: Specification Grade GFCI: I-16, Specification Grade Combo GFCI Receptacle & Switch: I-17, Specification Grade Blank Face GFCI: I-17
Specifications and availability are subject to change without notice.

Indicates NAFTA Compliant - Page R-30 Tamper Resistant

Hospital Specification Grade Ground Fault Circuit Interrupter Receptacles

2-Pole, 3-Wire Grounding
15A, 125V/AC; 20A, 125V/AC
NEMA 5-15, 5-20

		Device Type	Hospital Grade Duplex GFCI 15A & 20A: VGFH Series and VGFH_F ArrowLink: MCR125_, MCR250_, MCR300_Series	Hospital Grade Tamper Resistant Duplex GFCI 15A & 20A: TRVGFH and TRVGFH_F Series ArrowLink: MCR125_, MCR250_, MCR300_Series
Wiring Type	Base Device	Back & Side Wire	Back & Side Wire	Back & Side Wire
	ArrowLink	Integral wire leads, crimped & resistance welded	Integral wire leads, crimped & resistance welded	Integral wire leads, crimped & resistance welded
	ArrowLink SPD	Back Wire feed through	Back Wire feed through	Back Wire feed through
Testing & Code Compliance	Base Device	<ul style="list-style-type: none"> cULus Listed to UL498 and UL943, file no. E60120 Meets all UL943 (GFCI), UL498 (Receptacles), UL498 Hospital Grade and applicable CSA requirements NOM certified 	<ul style="list-style-type: none"> cULus Listed to UL498 and UL943, file no. E60120 Meets all UL943 (GFCI), UL498 (Receptacles), UL498 Hospital Grade and applicable CSA requirements NOM certified 	<ul style="list-style-type: none"> cULus Listed to UL498 and UL943, file no. E60120 Meets all UL943 (GFCI), UL498 (Receptacles), UL498 Hospital Grade and applicable CSA requirements NOM certified
	ArrowLink	<ul style="list-style-type: none"> Plug & connector cULus Listed to UL2459, file no. E325188 	<ul style="list-style-type: none"> Plug & connector cULus Listed to UL2459, file no. E325188 	<ul style="list-style-type: none"> Plug & connector cULus Listed to UL2459, file no. E325188
	Combined	<ul style="list-style-type: none"> cULus Listed wiring assembly, UL file no. E326691 	<ul style="list-style-type: none"> cULus Listed wiring assembly, UL file no. E326691 	<ul style="list-style-type: none"> cULus Listed wiring assembly, UL file no. E326691
Specifications: Environmental	Base Device	Flammability	Meets UL94 requirements; V2 rated	Meets UL94 requirements; V2 rated
		Temperature Rating	-35°C to 66°C (-31°F to 150.8°F)	-35°C to 66°C (-31°F to 150.8°F)
	Arrow- Link	Flammability	Meets UL94 requirements; V2 rated	Meets UL94 requirements; V2 rated
		Temperature Rating	-35°C to 66°C (-31°F to 150.8°F)	-35°C to 66°C (-31°F to 150.8°F)
Specifications: Electrical	Base Device	Dielectric Voltage	Withstands 2000V per UL498	Withstands 2000V per UL498
		Current Interrupting	Yes, at full-rated current	Yes, at full-rated current
		Temperature Rise	Max. 30°C (86°F) after 100 cycles of overload @ 150% of rated current (DC)	Max. 30°C (86°F) after 100 cycles of overload @ 150% of rated current (DC)
		Trip Time	0.025 seconds (Class A)	0.025 seconds (Class A)
		Frequency	60 Hz; Voltage: 125V; Amperage: 15A/20A 20A Feed Through	60 Hz; Voltage: 125V; Amperage: 15A/20A 20A Feed Through
		Short Circuit Testing	Meets and exceeds 10 kA	Meets and exceeds 10 kA
	ArrowLink	Maximum Interrupting Capacity	20 Amps	20 Amps
		Max. Working Voltage	300V/AC	300V/AC
		Max. Continuous Current	20A	20A
		Overload	52.5A/AC for 10 cycles	52.5A/AC for 10 cycles
		Dielectric Voltage	Withstands 1600V per UL2459	Withstands 1600V per UL2459
		Current Interrupting	Limited cycles at full-rated current	Limited cycles at full-rated current
		Temperature Rise	Max. 50°C (122°F) while conducting 35A after 10 cycles of overload @ 52.5A/AC	Max. 50°C (122°F) while conducting 35A after 10 cycles of overload @ 52.5A/AC
Specifications: Mechanical	Base Device Terminal Accommodation	#14 - #10 AWG	#14 - #10 AWG	
	ArrowLink Wire Leads	#12 AWG	#12 AWG	
	ArrowLink SPD Screw Terminals	Accepts #12-#14 stranded and solid wire	Accepts #12-#14 stranded and solid wire	
	ArrowLink SPD Ground	Integral THHN #12 AWG 6" lead with ring terminal and #10 ground screw	Integral THHN #12 AWG 6" lead with ring terminal and #10 ground screw	
	Voltage Rating	Permanently marked on device	Permanently marked on device	
Specifications: Screw Terminal Guards	ArrowLink Models Only	Material: UL recognized insulating material Dielectric Strength: 2,000V min. HWI Rating: 4 min. Relative temperature index, electrical: 80°C (176°F) Flammability: V0 (UL94)	Material: UL recognized insulating material Dielectric Strength: 2,000V min. HWI Rating: 4 min. Relative temperature index, electrical: 80°C (176°F) Flammability: V0 (UL94)	
Materials:	Base Device	Top Housing	Nylon	Nylon
		Bottom Housing	Polycarbonate	Polycarbonate
		Strap	0.047" thick steel, zinc plated	0.047" thick steel, zinc plated
		Line Contacts	0.030" thick brass	0.030" thick brass
		Terminal & Ground Screws	#8-32 steel, brass plated; neutral screw nickel plated, ground screw green	#8-32 steel, brass plated; neutral screw nickel plated, ground screw green
		Terminal Clamps	0.070" thick steel	0.070" thick steel
	Arrow- Link	Housing	Polycarbonate	Polycarbonate
		Contacts	Copper alloy	Copper alloy
		Wire Leads	Solid or stranded THHN #12 AWG	Solid or stranded THHN #12 AWG
	Arrow- Link SPD	Housing	Polycarbonate	Polycarbonate
		Contacts	Copper alloy	Copper alloy

Protecting People From Electrical Shock Hazards

ArrowHart's complete offering of Ground Fault Circuit Interrupters (GFCIs) is built to meet every need in commercial, industrial and institutional settings, whether permanent or temporary – and is fully compliant with the latest UL943 standards for GFCIs



Hospital Specification Grade GFCIs
Designed for safety and reliability, Arrow Hart GFCI receptacles meet the strict standards of UL943 (GFCI) and UL498 (Hospital Grade Receptacle Standards). Plus, our broad line provides solutions including Tamper Resistant, ArrowLink Modular and NAFTA compliant versions.



Specification Grade GFCIs
Arrow Hart GFCI receptacles meet the stringent UL943 (GFCI) standards, plus our broad line provides solutions for commercial, industrial and institutional applications.

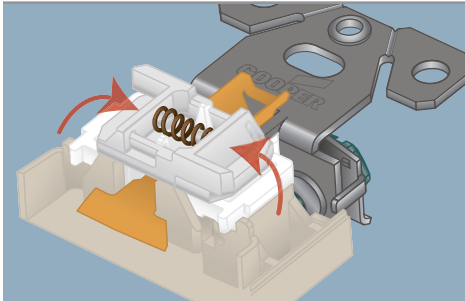


Industrial Grade Portable GFCIs
Specifically designed to protect personnel and equipment from ground fault hazards in indoor or outdoor job site applications.

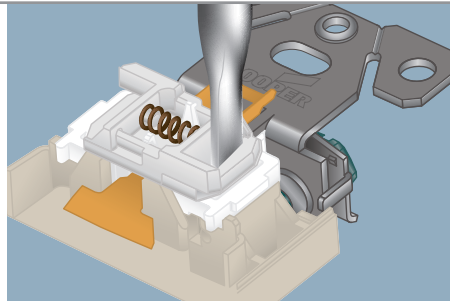


Tamper Resistant, Weather Resistant, and Tamper & Weather Resistant Receptacles

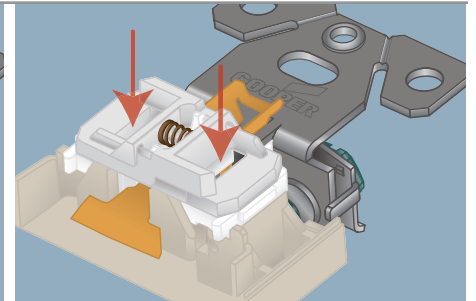
How the Tamper Resistant System Works:



Shutters restrict access in closed position.



Insertion of object in any one side will not open shutters.



Insertion of two-bladed plug or grounding plug will open shutters.



“TR” mold mark provides quick visual confirmation of tamper resistance when installed.



“WR” identifier quickly indicates during inspections that a weather resistant receptacle has been installed.



Both the “TR” mold mark and “WR” identifier are clearly visible in the finished installation, indicating double-layer protection for maximum safety.

A) Commercial Locations 2011 NEC
406.13 Guest Rooms & Guest Suites
406.14 Child Care Facilities
517.18 (C) Pediatric Locations
 Receptacles located in these areas shall be listed under tamper resistant or employ a listed tamper resistant cover.

B) Dwelling Units
2011 NEC - 406.12
 In all areas specified in 210.52 all 125-volt, 15- and 20-amp receptacles shall be listed tamper resistant receptacles.

C) Damp or Wet Locations
2011 NEC - 406.9
 All 15- and 20-amp, 125- and 250-volt non-locking receptacles installed in wet or damp locations shall be weather resistant receptacles.

Build-To-Spec

For Receptacles, Switches, GFCIs & TVSS devices

Modified at the factory to improve efficiency and speed production at the job site. Arrow Hart’s Build-To-Spec program provides customized device solutions to simplify your project and maximize your bottom line.

Sample Number:

VGF20W PSOL X Z G P

ARROW/HART™
 Base Catalog Number
 (including device color)

Add 6" leads
 PSOL = #12 AWG solid
 PSTR = #12 AWG stranded

Remove mounting screws

Remove ears

Remove ground clip

Add push-in connector**



BUILD-TO-SPEC
 CUSTOM CONFIGURED DEVICES
ARROW/HART™

Arrow Hart 20A 125V NEMA 5-20 white GFCI receptacle, with wire leads and push-in connectors, without mounting screws, ears, or grounding clip.

**For use with leaded receptacles only. Add “PSOL” to back of receptacle catalog number for 6” of #12 AWG solid or “PSTR” for 6” of #12 AWG stranded. (Example: VGF20W PSOL + Build to Spec Options).

All receptacles are bulk packed 50 pieces per carton. Minimum order quantity is 100 pieces. Orders under 500 pieces ship within 5 days with larger quantities typically within 10 days.

ArrowLink™

Arrow Hart's factory terminated ArrowLink system revolutionizes device installation, unleashing ground breaking labor savings in installation and maintenance by eliminating traditional pigtail, terminal connections and taping. Use ArrowLink on your next job to reduce labor costs, eliminate installation errors, save money and win!

Color coded terminals for consistent, reliable connections

Durable polycarbonate housing

Terminal accommodation #12-#14 AWG, solid only

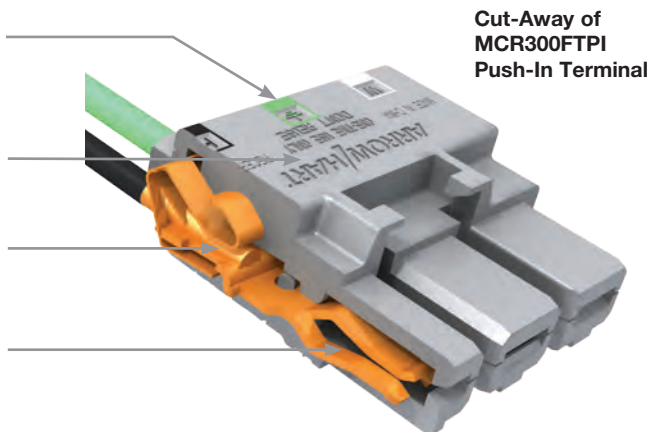
Copper alloy contacts for superior wire retention and minimized heat rise

6", #12 AWG ground lead with ring terminal and captive ground screw

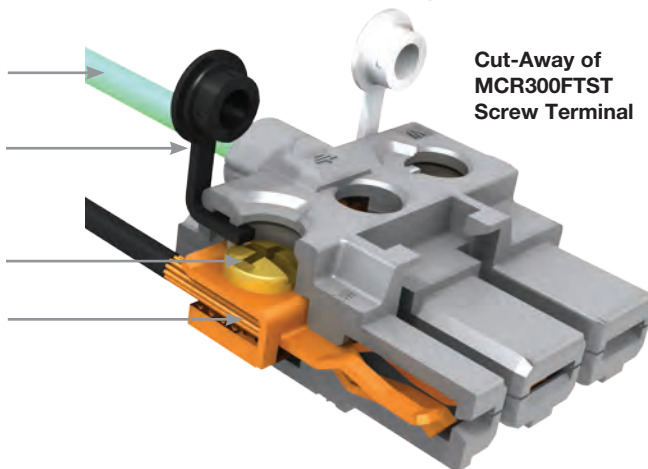
Color coded terminal screws guard caps

Color coded terminal screws

Terminal accommodation #12-#14 AWG, solid or stranded



Cut-Away of
MCR300FTPI
Push-In Terminal



Cut-Away of
MCR300FTST
Screw Terminal

ArrowLink SPD Benefits

**EASE OF INSTALLATION:**

No more twist-on wire connectors

**50% TIME SAVINGS:**

SPD accelerates both rough-in & trim out installation

**EFFICIENT DESIGN:**

Low profile connection with feed-through capability

**30% REDUCTION**

in wire volume inside the box

How To Order



1. Select a device to ArrowLink enable. Catalog pages identify available products—simply add an “M” to the catalog number and the devices will be factory enabled with the ArrowLink device-side connection. (For GFCIs add “MOD” suffix)

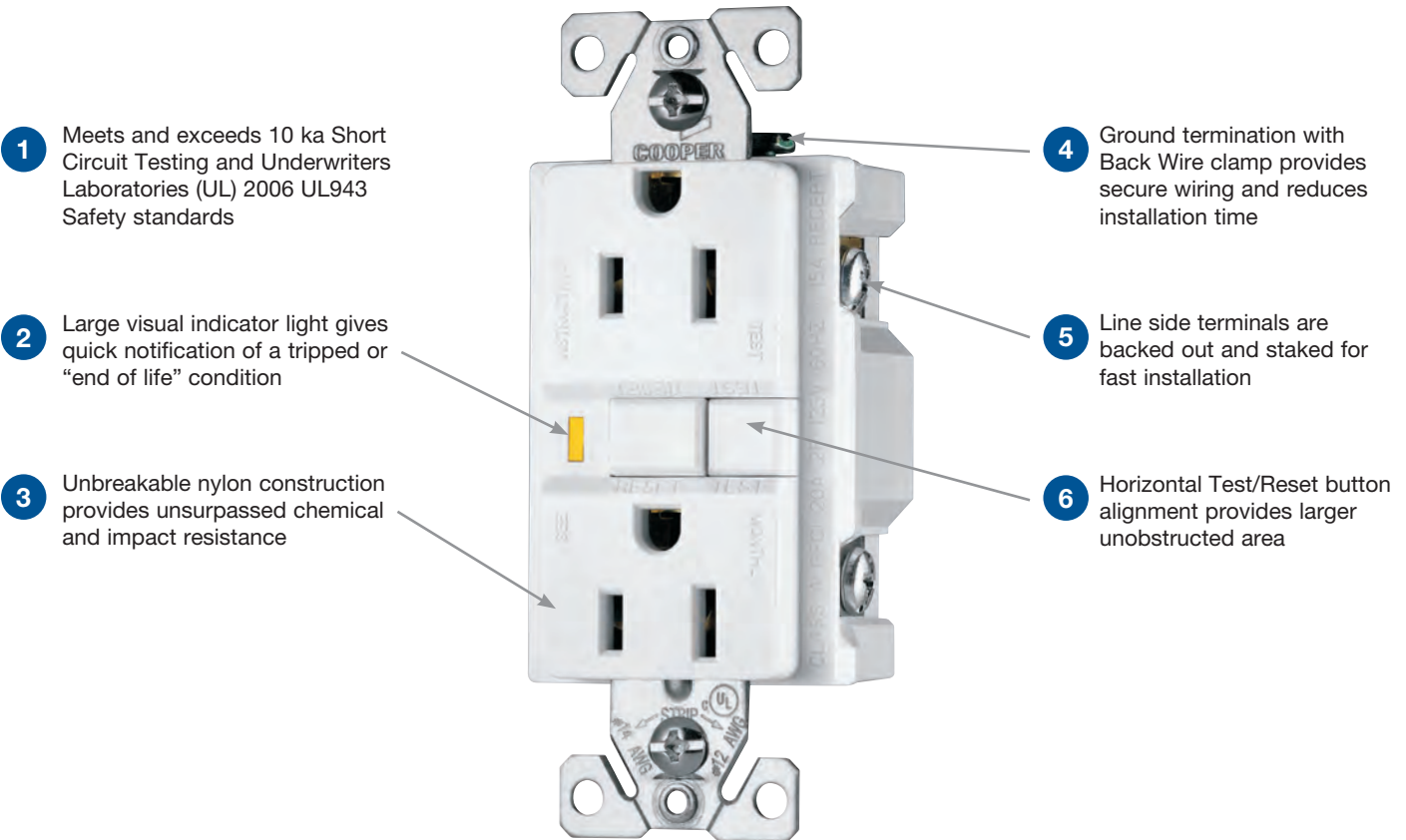
2. Choose from leaded or unleaded ArrowLink connector versions in screw-down or push-in models.

3. Place your order and get your ArrowLink devices in bulk packed boxes, shipped within 5 days of receipt of order!

ShockSentry™ GFCIs Provide State-of-the-Art, Dependable Electrical Shock Protection

In addition to being tested to the highest standards to help ensure safety, Arrow Hart GFCIs will deny power and prevent re-setting if the device is no longer able to provide safe, protected power

ShockSentry™ Ground Fault Circuit Interrupter



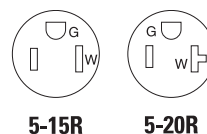
ShockSentry™ Ground Fault Circuit Interrupter

Additional Features & Benefits

- Tapered Back Wire openings handle multiple wire sizes and types for applications up to #10 AWG solid or stranded wire
- When downstream receptacles are wired from load side, a 20 amp feed-through rating offers full protection
- Test and reset buttons are color matched to provide superior aesthetics
- Longer, wider “bridge” strap provides 40% more contact area with wallboard, virtually eliminating floating installations
- Exclusive built-in wire stripper provides fast stripping of wire without tools
- Line-load miswiring protection: ShockSentry GFCI’s will not provide power downstream when wired incorrectly
- Tri-combo head terminal and mounting screws

Specification Grade Ground Fault Circuit Interrupter Receptacles

2-Pole, 3-Wire Grounding
15A, 125V/AC; 20A, 125V/AC
NEMA 5-15, 5-20



Specification Grade Automatic Ground GFCIs

Rating	A	V/AC	NEMA	Description	Color Suffix	Catalog No.
15	125	5-15R	Auto Ground Duplex GFCI, Back & Side Wire	V, W	<input type="checkbox"/> VGF15__-AG	
20	125	5-20R	Duplex Receptacle, Back & Side Wire	V, W	<input type="checkbox"/> VGF20__-AG	

Tamper Resistant Specification Grade Automatic Ground GFCIs

Rating	A	V/AC	NEMA	Description	Color Suffix	Catalog No.
15	125	5-15R	Duplex GFCI, Back & Side Wire	A, B, BK, GY, LA, V, W	<input type="checkbox"/> TRVGF15__-AG	
20	125	5-20R	Duplex GFCI, Back & Side Wire	A, B, BK, GY, LA, V, W	<input type="checkbox"/> TRVGF20__-AG	

Specification Grade Combination GFCI Receptacle & Switch

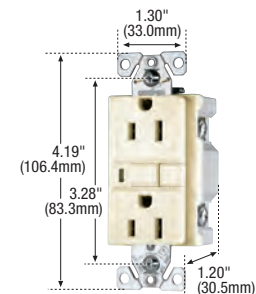
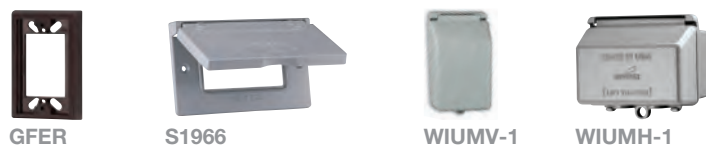
Rating	A	V/AC	NEMA	Description	Color Suffix	Catalog No.
15	125	5-15R	GFCI Receptacle with Feed- Through Single-Pole Switch (rated 1800W @ 120V/AC, 60Hz)	V, W	<input type="checkbox"/> VGFS15__-MSP	

Specification Grade Blank Face GFCI

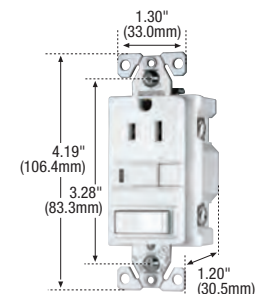
Rating	A	V/AC	Description	Color Suffix	Catalog No.
20	125	Blank Face (Dead Front) GFCI, Rated as 1.5HP Motor Control Switch, Back & Side Wire	V, W	<input type="checkbox"/> VGFD20__	

Accessories for GFCIs

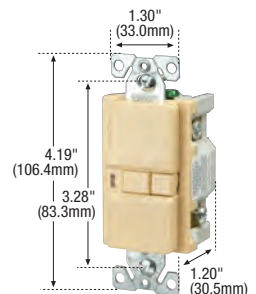
Description	Color Suffix	Catalog No.	
GFCI 7/8" extension ring, cULus Listed	B, BK, LA, V, W	<input type="checkbox"/> GFER__	
Metal self-closing horizontal 1-Gang weather protective cover, decorator opening		<input type="checkbox"/> S1966	•
While-In-Use metal weather protective standard depth 1-Gang cover, vertical mount		<input type="checkbox"/> WIUMV-1	•



VGF15-AG



VGFS15-MSP



VGFD20

Color Ordering Information:

For ordering devices, include Catalog No. followed by the Color Suffix: A (Almond), B (Brown), BK (Black), GY (Gray), LA (Light Almond), V (Ivory), W (White)



Specification Information: Specification Grade GFCI: I-16, Specification Grade Combo GFCI Receptacle & Switch: I-17, Specification Grade Blank Face GFCI: I-17

Specifications and availability are subject to change without notice.

Indicates NAFTA Compliant - Page R-30

Tamper Resistant

Hospital Specification Grade Ground Fault Circuit Interrupter Receptacles

2-Pole, 3-Wire Grounding
15A, 125V/AC; 20A, 125V/AC
NEMA 5-15, 5-20

		Device Type	Hospital Grade Duplex GFCI 15A & 20A: VGFH Series and VGFH_F ArrowLink: MCR125_ , MCR250_ , MCR300_ Series	Hospital Grade Tamper Resistant Duplex GFCI 15A & 20A: TRVGFH and TRVGFH_F Series ArrowLink: MCR125_ , MCR250_ , MCR300_ Series
Wiring Type	Base Device	Back & Side Wire	Back & Side Wire	Back & Side Wire
	ArrowLink	Integral wire leads, crimped & resistance welded	Integral wire leads, crimped & resistance welded	Integral wire leads, crimped & resistance welded
	ArrowLink SPD	Back Wire feed through	Back Wire feed through	Back Wire feed through
Testing & Code Compliance	Base Device	<ul style="list-style-type: none"> cULus Listed to UL498 and UL943, file no. E60120 Meets all UL943 (GFCI), UL498 (Receptacles), UL498 Hospital Grade and applicable CSA requirements NOM certified 	<ul style="list-style-type: none"> cULus Listed to UL498 and UL943, file no. E60120 Meets all UL943 (GFCI), UL498 (Receptacles), UL498 Hospital Grade and applicable CSA requirements NOM certified 	<ul style="list-style-type: none"> cULus Listed to UL498 and UL943, file no. E60120 Meets all UL943 (GFCI), UL498 (Receptacles), UL498 Hospital Grade and applicable CSA requirements NOM certified
	ArrowLink	<ul style="list-style-type: none"> Plug & connector cULus Listed to UL2459, file no. E325188 	<ul style="list-style-type: none"> Plug & connector cULus Listed to UL2459, file no. E325188 	<ul style="list-style-type: none"> Plug & connector cULus Listed to UL2459, file no. E325188
	Combined	<ul style="list-style-type: none"> cULus Listed wiring assembly, UL file no. E326691 	<ul style="list-style-type: none"> cULus Listed wiring assembly, UL file no. E326691 	<ul style="list-style-type: none"> cULus Listed wiring assembly, UL file no. E326691
Specifications: Environmental	Base Device	Flammability	Meets UL94 requirements; V2 rated	Meets UL94 requirements; V2 rated
		Temperature Rating	-35°C to 66°C (-31°F to 150.8°F)	-35°C to 66°C (-31°F to 150.8°F)
	Arrow- Link	Flammability	Meets UL94 requirements; V2 rated	Meets UL94 requirements; V2 rated
		Temperature Rating	-35°C to 66°C (-31°F to 150.8°F)	-35°C to 66°C (-31°F to 150.8°F)
Specifications: Electrical	Base Device	Dielectric Voltage	Withstands 2000V per UL498	Withstands 2000V per UL498
		Current Interrupting	Yes, at full-rated current	Yes, at full-rated current
		Temperature Rise	Max. 30°C (86°F) after 100 cycles of overload @ 150% of rated current (DC)	Max. 30°C (86°F) after 100 cycles of overload @ 150% of rated current (DC)
		Trip Time	0.025 seconds (Class A)	0.025 seconds (Class A)
		Frequency	60 Hz; Voltage: 125V; Amperage: 15A/20A 20A Feed Through	60 Hz; Voltage: 125V; Amperage: 15A/20A 20A Feed Through
		Short Circuit Testing	Meets and exceeds 10 kA	Meets and exceeds 10 kA
	ArrowLink	Maximum Interrupting Capacity	20 Amps	20 Amps
		Max. Working Voltage	300V/AC	300V/AC
		Max. Continuous Current	20A	20A
		Overload	52.5A/AC for 10 cycles	52.5A/AC for 10 cycles
		Dielectric Voltage	Withstands 1600V per UL2459	Withstands 1600V per UL2459
		Current Interrupting	Limited cycles at full-rated current	Limited cycles at full-rated current
		Temperature Rise	Max. 50°C (122°F) while conducting 35A after 10 cycles of overload @ 52.5A/AC	Max. 50°C (122°F) while conducting 35A after 10 cycles of overload @ 52.5A/AC
Specifications: Mechanical	Base Device Terminal Accommodation	#14 - #10 AWG	#14 - #10 AWG	
	ArrowLink Wire Leads	#12 AWG	#12 AWG	
	ArrowLink SPD Screw Terminals	Accepts #12-#14 stranded and solid wire	Accepts #12-#14 stranded and solid wire	
	ArrowLink SPD Ground	Integral THHN #12 AWG 6" lead with ring terminal and #10 ground screw	Integral THHN #12 AWG 6" lead with ring terminal and #10 ground screw	
	Voltage Rating	Permanently marked on device	Permanently marked on device	
Specifications: Screw Terminal Guards	ArrowLink Models Only	Material: UL recognized insulating material Dielectric Strength: 2,000V min. HWI Rating: 4 min. Relative temperature index, electrical: 80°C (176°F) Flammability: V0 (UL94)	Material: UL recognized insulating material Dielectric Strength: 2,000V min. HWI Rating: 4 min. Relative temperature index, electrical: 80°C (176°F) Flammability: V0 (UL94)	
Materials:	Base Device	Top Housing	Nylon	Nylon
		Bottom Housing	Polycarbonate	Polycarbonate
		Strap	0.047" thick steel, zinc plated	0.047" thick steel, zinc plated
		Line Contacts	0.030" thick brass	0.030" thick brass
		Terminal & Ground Screws	#8-32 steel, brass plated; neutral screw nickel plated, ground screw green	#8-32 steel, brass plated; neutral screw nickel plated, ground screw green
		Terminal Clamps	0.070" thick steel	0.070" thick steel
	Arrow- Link	Housing	Polycarbonate	Polycarbonate
		Contacts	Copper alloy	Copper alloy
		Wire Leads	Solid or stranded THHN #12 AWG	Solid or stranded THHN #12 AWG
	Arrow- Link SPD	Housing	Polycarbonate	Polycarbonate
		Contacts	Copper alloy	Copper alloy