

Industrial lighting
V-Spring® telescoping safety light pole

CROUSE-HINDS
SERIES

Increase safety
and decrease
labor costs



EATON

Powering Business Worldwide

Designed for safety.

Whether it's a new installation or a replacement project, lighting maintenance tasks can be dangerous, labor intensive and costly.

Make your job safer, faster and easier with V-Spring telescoping light poles.

The new, patent-pending V-Spring telescoping light pole from Eaton's Crouse-Hinds increases safety and decreases labor costs associated with lighting installation and routine maintenance.

Its innovative design allows for all work to safely take place on the platform or walkway, eliminating the need for portable ladders and fall protection equipment.

Application

- For luminaires installed on industrial walkways, platforms, stairways and conveyors where OSHA/HSE regulations require fall prevention equipment
- Hard to reach or dangerous areas where safety is a big concern
- Hazardous and harsh environments subject to corrosive agents, vibration and extreme temperatures

Install and maintain light fixtures without leaving the ground.



Product specifications

Construction

- Telescoping
- Factory sealed and pre-wired

Installed height

- Adjustable raised height

Certifications

- UL1598
- CSA C22.2 No. 250.0-08
- cULus listed for Class I, Division 2, Class II, Division 2 when used with Champ® series luminaires

Environmental ratings

- Dusttight
- NEMA 4, IP66
- Wind rated to 230 mph per AASHTO standards

Vibration

- DNV No. 2.4: 2006
- IEC 60068-2-6: 2007

Materials

Light pole options

- Structural steel: A36-500
- Hot dip galvanized: ASTM 123
- Aluminum: T6061
- Stainless steel: 316 grade

Compression spring

- Stainless steel

Hardware

- Xylan 1400 coated for corrosion protection

Cable

- 12/3 AWG UL/CSA Listed
- 600V, -40°C to 105°C
- Sun- and oil-resistant, FT1, FT2
- ROHS II Reach

Weather cover

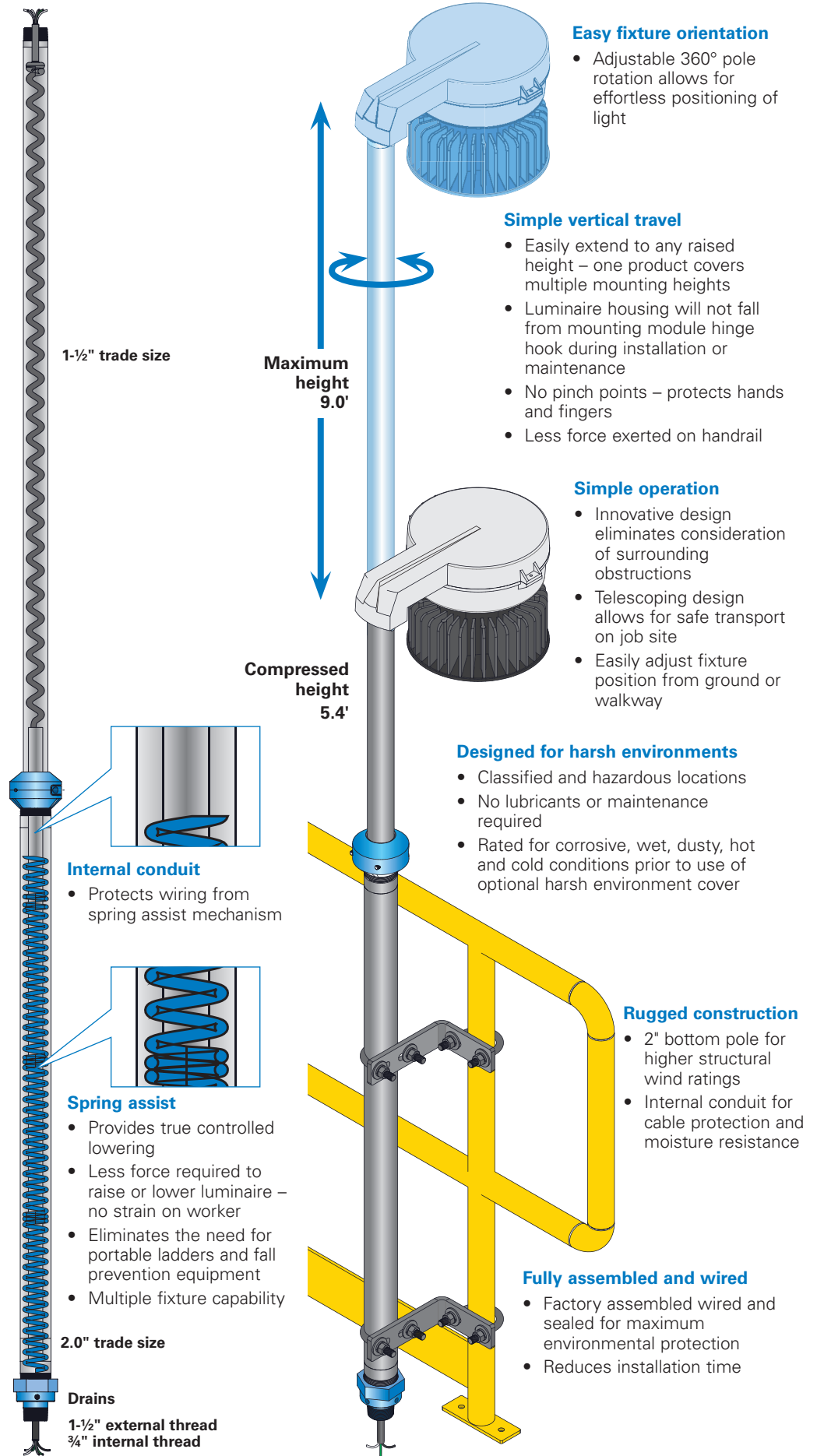
- 60 Duro high UV-resistant EPDM

Weights

- Handrail stanchion and wall models:
 - Structural steel: 42 lbs.
 - Aluminum: 23 lbs.
- Base/structural model:
 - Structural steel: 70 lbs.
 - Aluminum: 34 lbs.

Maximum luminaire weight

- 50 lbs. (recommended weight for one person operation)



Safety by design

Maintaining lighting in industrial facilities is often a complex and costly task, as the majority of the fixtures are in dangerous and difficult to reach locations. For lights in elevated locations, OSHA/HSE regulations require fall prevention equipment any time a worker is exposed to a fall of six feet or greater.

While personal protection equipment will help protect workers from threat, there is still a risk of injury from a fall. Preventing the worker from being exposed to the threat altogether is the most effective risk-reduction measure.

Transition from protecting the worker to **eliminating the risk.**

All work takes place on the ground

- Spring assistance allows the luminaire to be lowered safely and easily – **eliminating the need for portable ladders and fall prevention equipment.**

Vertical travel reduces force and stress

- When compared to 45 degree lowering systems, the V-Spring's spring assisted vertical movement requires **65% less force to raise or lower and removes mechanical stress on the handrail by over 300%.**

Luminaire housing will not fall

- The vertical travel of the V-Spring allows the luminaire housing to properly hang from the mounting module hinge during installation and maintenance. **No risk of dropped or falling ballasts.**

No pinch points

- The V-Spring locking collar has no rotating parts during operation, **protecting hands and fingers from injury.**

#1 The most frequently cited OSHA violation is fall protection



34% of worker deaths on construction sites are from falls

Source: Occupational Safety & Health Administration (OSHA)

yesterday's problem



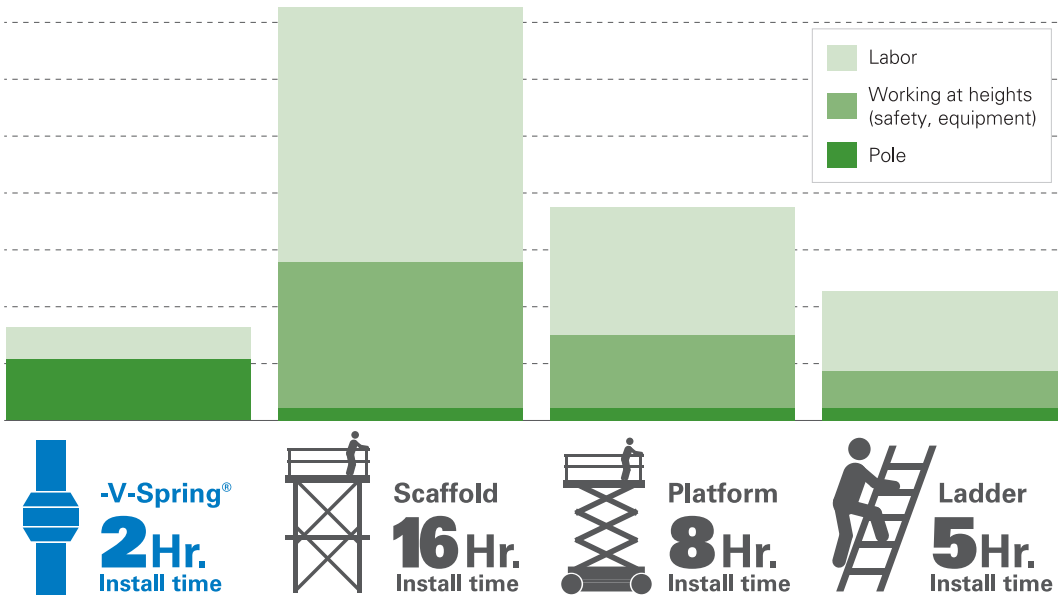
today's solution



Significant cost savings

Reduce initial and long-term costs

Total installation cost



Protect what's important

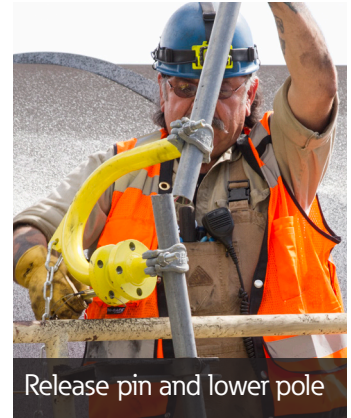
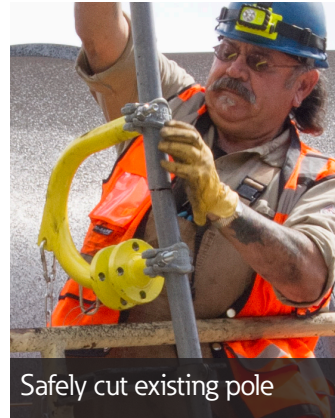
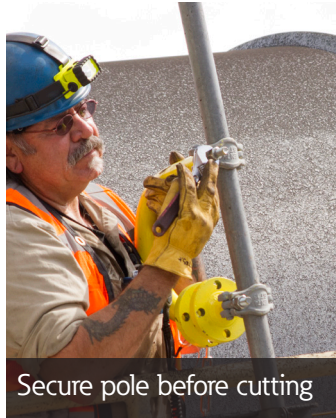
Every \$1 invested in safety returns \$3 to \$6

Source: Liberty Mutual Institute for Safety

The only pole replacement solution listed for classified and hazardous locations.

Replacement made easy

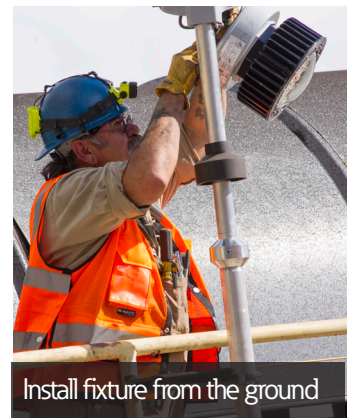
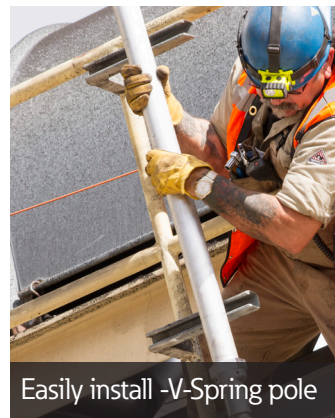
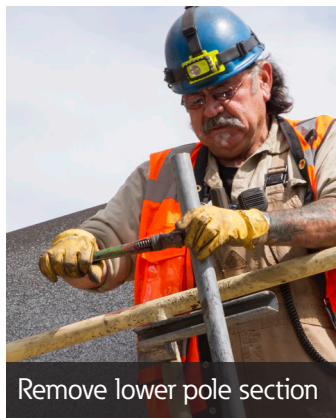
If you are looking to upgrade your facility's lighting technology, use the V-Spring telescoping pole as a labor-saving installation tool. The V-Spring can easily replace existing lighting systems, allowing you to quickly and safely install your new luminaires from the ground.



Replacement labor costs can be reduced by 30-50% with this approach, as the high cost of working at heights is avoided.

As an added benefit, the V-Spring will deliver additional labor savings from ongoing inspection and maintenance of the luminaire throughout its life cycle!

Complete pole replacement ensures structural integrity!



Ordering information

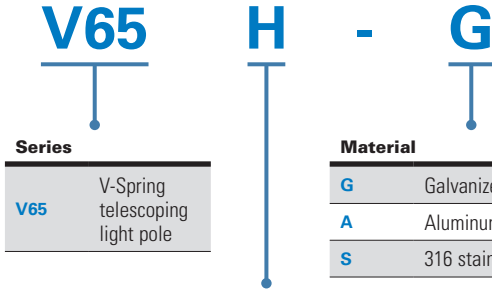
Part number example

V65H-G-JM5-LTEE2

V-Spring telescoping light pole, galvanized, handrail mount, assembled with angled stanchion top hat and iron tee

Labor savings options

Minimum order quantity: 10 pieces



Series	
V65	V-Spring telescoping light pole

Mounting	
B	Base
W	Wall
H	Handrail stanchion

Mounting kits must be ordered separately.
See table below for options.

Handrail mounting kits	
MHK-RTG	Tubular rail, galvanized
MHK-RTS	Tubular rail, stainless
MHK-RAG	Angled rail, galvanized
MHK-RAS	Angled rail, stainless
MHK-RIG	Incline rail, galvanized
MHK-RIS	Incline rail, stainless

Material	
G	Galvanized steel
A	Aluminum
S	316 stainless steel

Harsh environment cover	
BLANK	No cover
C	Installed cover for locking collar

Top hat*	
JM5	25° angled top hat
PM5	Straight top hat

*For Champ series luminaires only



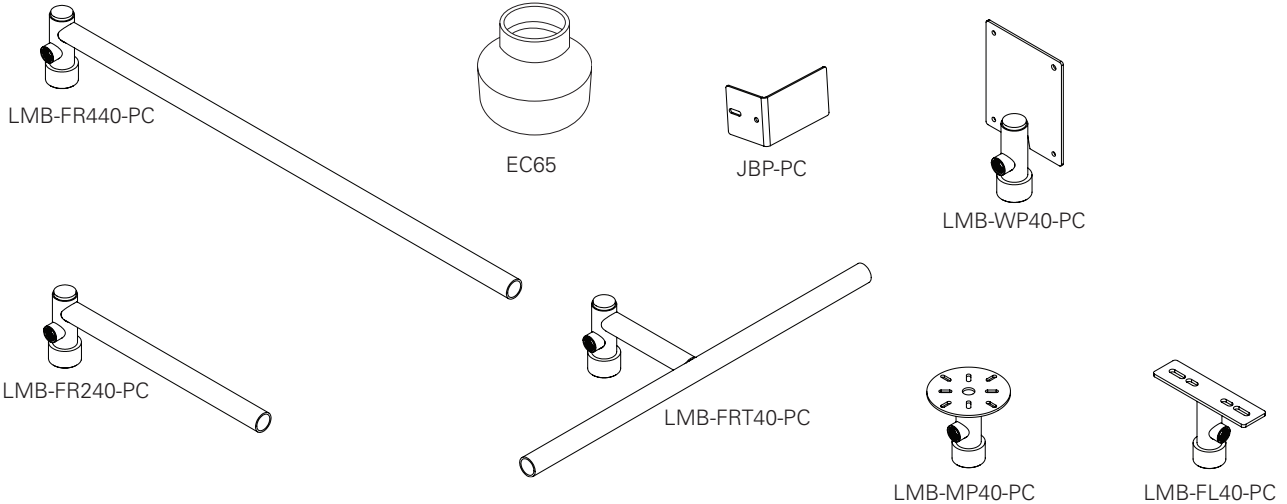
Lighting tee*	
LTEE2	Lighting Tee with 3/4" feed thru hubs and 1 1/2" vertical hub, Feraloy iron
LTEE2 SA	Lighting Tee with 3/4" feed thru hubs and 1 1/2" vertical hub, copper free aluminum
LTEE3	Lighting Tee with 1" feed thru hubs and 1 1/2" vertical hub, Feraloy iron
LTEE3 SA	Lighting Tee with 1" feed thru hubs and 1 1/2" vertical hub, copper free aluminum

*Contact factory for additional labor saving options



Accessories (ordered separately)

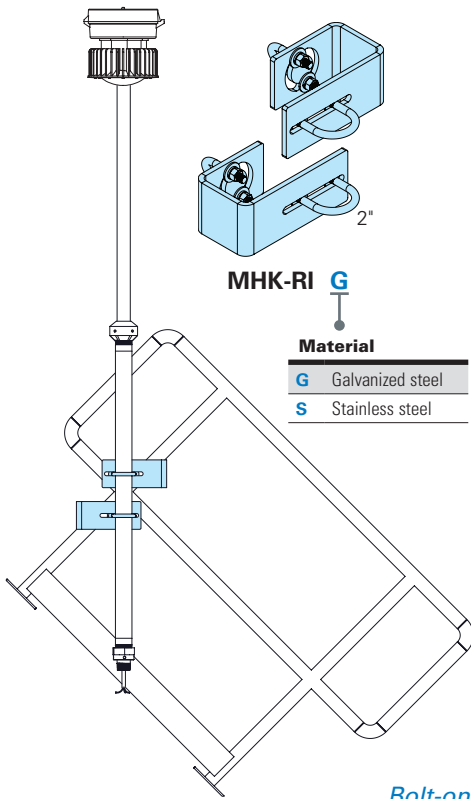
EC65	Harsh environment cover for locking collar
LMB-FR240-PC	2 ft. (610 mm) fluorescent clamp-on
LMB-FR440-PC	4 ft. (1200 mm) fluorescent clamp-on
LMB-FRT40-PC	3 ft. (920 mm) fluorescent clamp-on, cross arm
LMB-WP40-PC	Multi-purpose, bolt-on, vertical
LMB-MP40-PC	Multi-purpose, bolt-on, horizontal
LMB-FL40-PC	Floodlight bolt-on
JBP-G-PC	Junction box plate



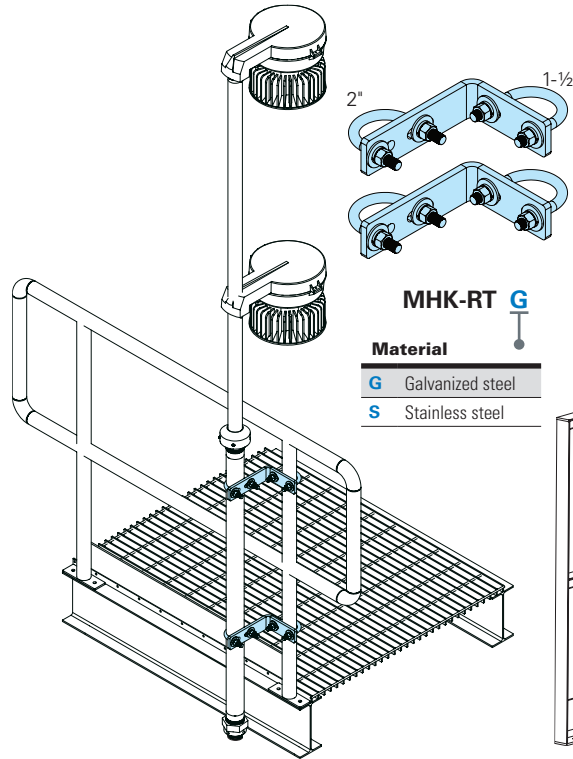
Contact factory for aluminum or stainless options.

Installation options

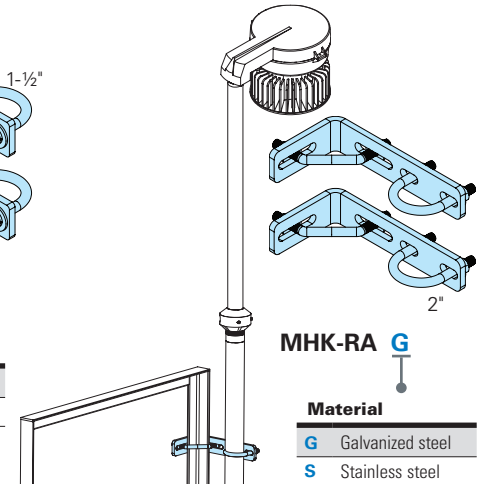
Inclined rail mount



Universal rail mount - tubular rail

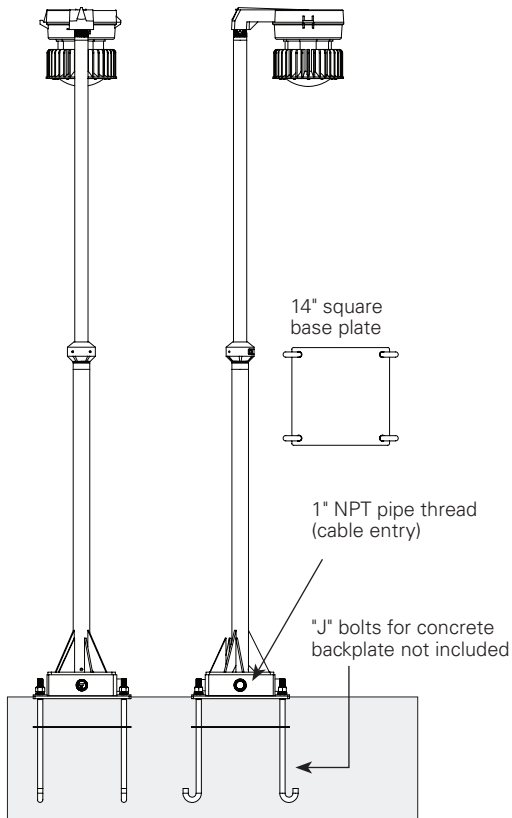


Universal rail mount - angular

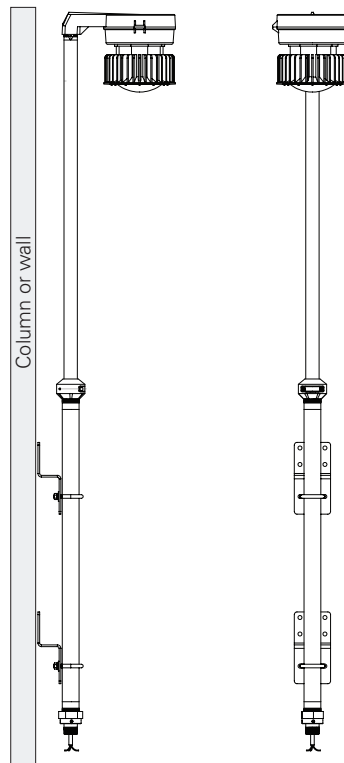


Bolt-on (weld-less) brackets provided as a complete kit

Base mount



Column/wall mount



NOTE:

All mounting hardware for base and wall are included with pole.

Wall mount bracket included (**MHK-WG**)

For V-Spring dimensional drawings, please visit: www.crouse-hinds.com

Configure, view and download

Configure and select products down to the SKU level, view 2D drawings and 3D models and download the models in 100+ file formats.

www.crouse-hinds.com/cospec

**U.S. (global headquarters):
Eaton's Crouse-Hinds business**

1201 Wolf Street
Syracuse, NY 13208

(866) 764-5454
FAX: (315) 477-5179
FAX Orders Only:
(866) 653-0640

crousecustomerctr@eaton.com

Eaton's B-Line business

509 West Monroe Street
Highland, IL 62249

800-851-7415
FAX: 618-654-1917
Eaton.com/b-lineseries

IEC Electrical

(CEAG products)
49 (0) 6271 806-500
FAX: 49 (0) 6271 806-476
Info-ex@eaton.com

Airport Lighting

866-764-5454
CrouseCustomerCTR@Eaton.com

Mexico/Latin America/Caribbean

52-555-804-4000
FAX: 52-555-804-4020
ventascentromex@eaton.com

Haz Area Communications

(MEDC, Hernis, Oxalis, FHF Sonix)
44 (0) 1623 444400
FAX: 44 (0) 1623 444531
MEDCadmin@Eaton.com

Canada

Toll Free: 800-265-0502
FAX: (800) 263-9504
FAX Orders only: (866) 653-0645

China

86-21-2899-3600
FAX: 86-21-2899-4055
echsales@eaton.com

Process instrumentation

(MTL products)
44 (0) 1582 723633
FAX: 44 (0) 1582 422283
enquiry@mtl-inst.com

Eaton Middle East

9714-8066100
FAX: 9714-8894813
CHBL-ME@eaton.com

Australia

61-2-8787-2777
FAX: 61-2-9609-2342
crousehindsanz@eaton.com

For more information:

If further assistance is required, please contact an authorized Eaton Distributor, Sales Office, or Customer Service Department.

Eaton's Crouse-Hinds
1201 Wolf Street
Syracuse, NY 13208
Crouse-Hinds.com

Eaton
1000 Eaton Boulevard
Cleveland, OH 44122
United States
Eaton.com

© 2023 Eaton
All Rights Reserved
Printed in USA
Publication No. 5161-0323
March 2023

Eaton is a registered trademark.

All other trademarks are property of their respective owners.

Follow us on social media to get the latest product and support information.

