

# Straight Blade Devices 20A, 125V, 2 Pole, 3 Wire Grounding USB Charger Receptacles

# HUBBELL

## Features

- Two USB ports 3.8 Amp, 5V DC, type A, class 2.0
- Tamper-Resistant decorator duplex receptacle
- Green LED indicator to show USB power available
- Compatible with USB 1.1/2.0/3.0 devices, including Apple® products

## Ordering Information

Description	Device Color	UPC	Catalog Number
USB 20A 125V AC Charger Tamper-Resistant receptacle, Two USB Type 2.0 ports 3.8 Amp, 5 Volt DC	White	883778304859	USB20X2W

## Listings

cULus listed to UL498

## Specifications

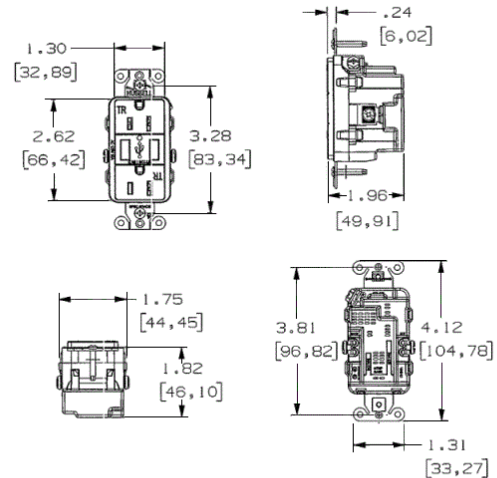
Face	RTP
Base	RTP
LED	Green Indicator
Contacts	Plated steel
Clamp	Plated steel
Terminal Screws	Plated steel
Mounting Strap	.040" Zinc plated steel
Mounting Screws	Zinc plated steel
USB Port	Stainless Steel

## Performance

Electrical	
Current Interrupting	Certified for current interrupting at full rated current
Dielectric Voltage	Withstands 2,000V minimum
Mechanical	
Product Identification	Ratings are a permanent part of the device
Terminal Accommodation	#14-#10 AWG copper stranded or solid conductor only
Terminal Identification	Terminals identified in accordance with UL 498 and CSA
USB Port	Stainless steel Rated for 10,000 plug insertions and removal
Environmental	
Flammability	UL 94V-2
Operating Temperature	Maximum continuous 75°C; minimum -40°C (w/o impact)



20A 125V  
NEMA 5-20R  
UL CSA  
1 HP



## Complementary Products

Wallplate or Weatherproof Cover StyleLine® Decorator Opening

## Online Resources

Customer Use Drawing  
eCatalog  
Installation Instructions

Dimensions in Inches (mm)

Hubbell Wiring Device-Kellems • Hubbell Incorporated (Delaware) • 40 Waterview Drive • Shelton, CT 06484

Phone (800) 288-6000 • Fax (800) 255-1031 • Specifications subject to change without notice.



# Straight Blade Devices 20A, 125V, 2 Pole, 3 Wire Grounding USB Charger Receptacles

# HUBBELL

## Features

- Two USB ports 3.8 Amp, 5V DC, type A, class 2.0
- Tamper-Resistant decorator duplex receptacle
- Green LED indicator to show USB power available
- Compatible with USB 1.1/2.0/3.0 devices, including Apple® products

## Ordering Information

Description	Device Color	UPC	Catalog Number
USB 20A 125V AC Charger Tamper-Resistant receptacle, Two USB Type 2.0 ports 3.8 Amp, 5 Volt DC	White	883778304859	USB20X2W

## Listings

cULus listed to UL498

## Specifications

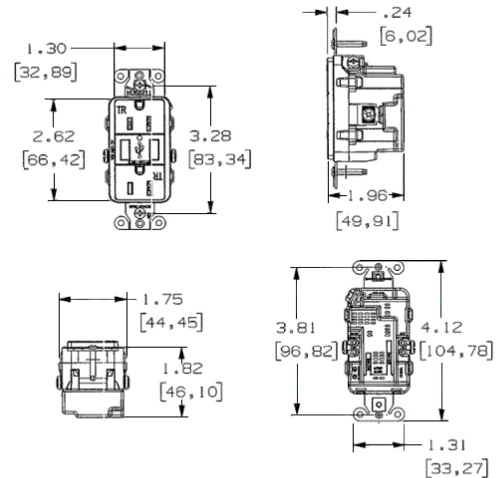
Face	RTP
Base	RTP
LED	Green Indicator
Contacts	Plated steel
Clamp	Plated steel
Terminal Screws	Plated steel
Mounting Strap	.040" Zinc plated steel
Mounting Screws	Zinc plated steel
USB Port	Stainless Steel

## Performance

Electrical	
Current Interrupting	Certified for current interrupting at full rated current
Dielectric Voltage	Withstands 2,000V minimum
Mechanical	
Product Identification	Ratings are a permanent part of the device
Terminal Accommodation	#14-#10 AWG copper stranded or solid conductor only
Terminal Identification	Terminals identified in accordance with UL 498 and CSA
USB Port	Stainless steel Rated for 10,000 plug insertions and removal
Environmental	
Flammability	UL 94V-2
Operating Temperature	Maximum continuous 75°C; minimum -40°C (w/o impact)



20A 125V  
NEMA 5-20R  
UL CSA  
1 HP



## Complementary Products

Wallplate or Weatherproof Cover StyleLine® Decorator Opening

## Online Resources

Customer Use Drawing  
eCatalog  
Installation Instructions

Dimensions in Inches (mm)

Hubbell Wiring Device-Kellems • Hubbell Incorporated (Delaware) • 40 Waterview Drive • Shelton, CT 06484

Phone (800) 288-6000 • Fax (800) 255-1031 • Specifications subject to change without notice.

