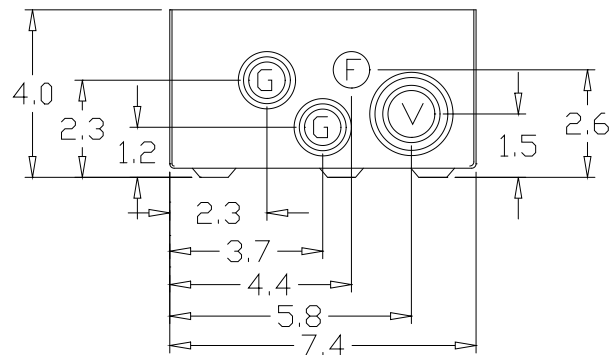
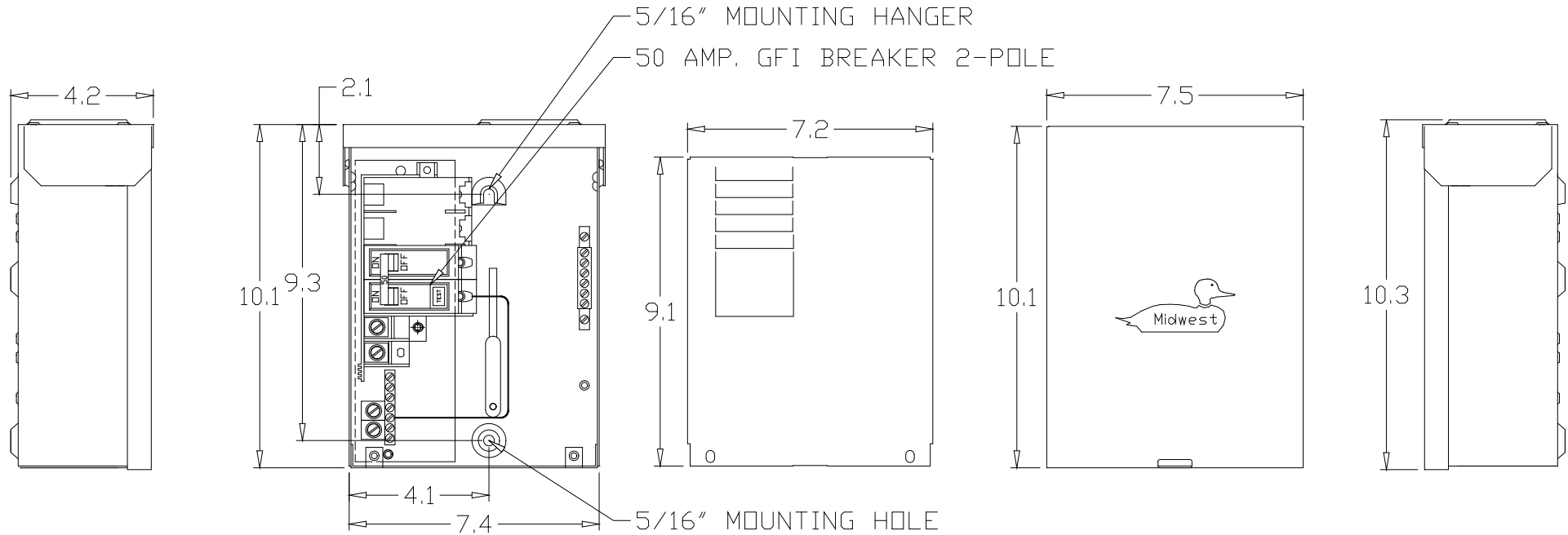


WIRE RANGE:
#6-2/0 AWG CU-AL



KNOCKOUT TABLE:

F = 1/2" KO
G = 1/2", 3/4", 1" KO
V = 3/4", 1", 1-1/4", 1-1/2" KO

MIDWEST ELECTRIC
PRODUCTS, INC.
Mankato, MN

Dr. By: JDE
Ck. By:
CR: R0746662

* = Critical To Quality
Unless Otherwise Specified
Tolerances On:
3 Pl. Decimals ± .010
2 Pl. Decimals ± .030
Fractions ± 1/32
Angles ± 1/2°
Holes ± .003
Dimensions Are In Inches

AutoCad
Generated

SCALE 1 : 1	SIZE A
----------------	-----------

SHEET 1 OF 1

TITLE: UG412RMW250
OUTLINE DRAWING

DWG NO: 265A6315

SH3

Rev. I CR R0746662 JDE 1-11-08