



MILBANK
ENERGY AT WORK

U9581-RL-QG



Catalog Number	U9581-RL-QG
Marketing Product Description	5 Terminal Ringless Small Hub Open Quadplex Ground Lever Bypass
UPC	784572310568
Length (IN)	4.844
Width (IN)	13
Height (IN)	19
Brand Name	Milbank
Type	Ringless Meter Socket
Application	Meter Socket
Standard	UL Listed;Type 3R
Voltage Rating	600 Volts Alternating Current
Amperage Rating	200 Continuous Ampere
Phase	1 Phase
Frequency Rating	60 Hertz
Size	4.844L x 13W x19H
Number Of Cutouts	0
Cutout Size	No Main Breaker
Cable Entry	Overhead or Underground
Terminal	Lay in
Insulation	No Insulation
Mounting	Surface Mount

Enclosure G90 Galvanized Steel with Powder Coat Finish

Jaw Quantity 5 Terminal

Bypass Type Lever Bypass

Number of Meter Positions 1 Position

Equipment Ground Quadplex Ground

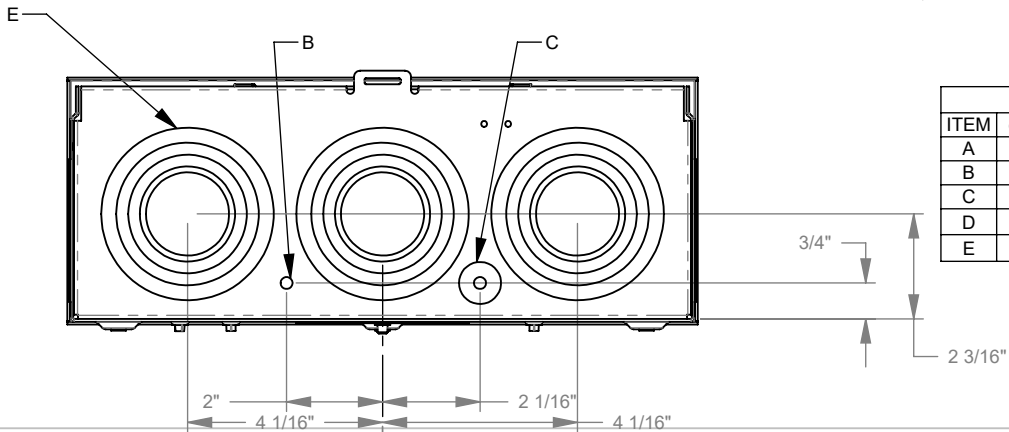
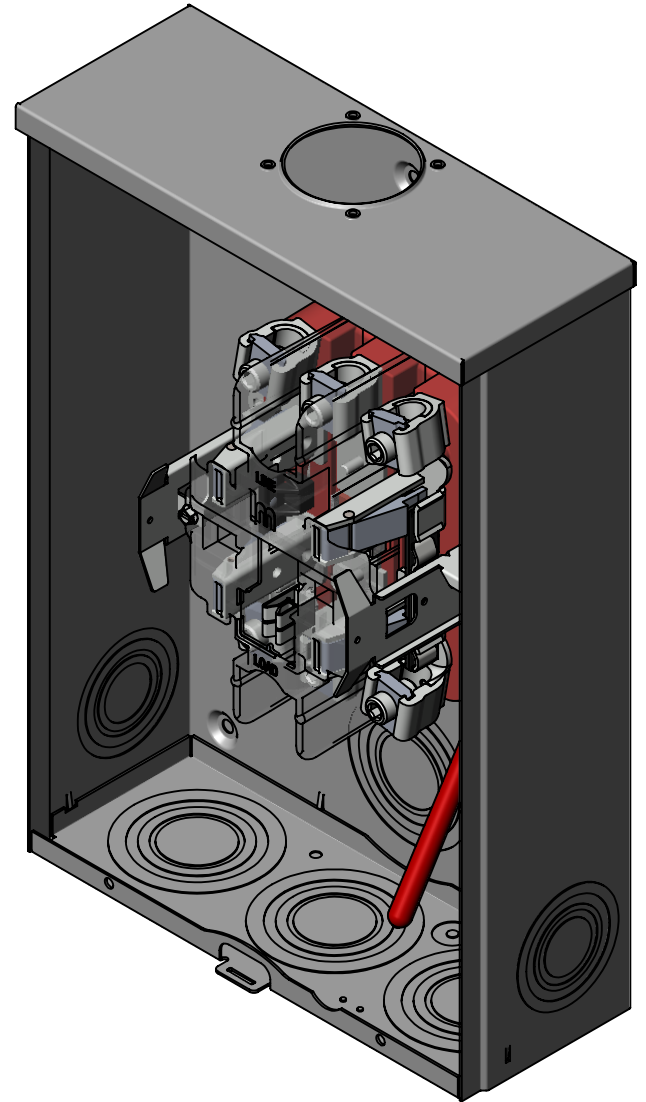
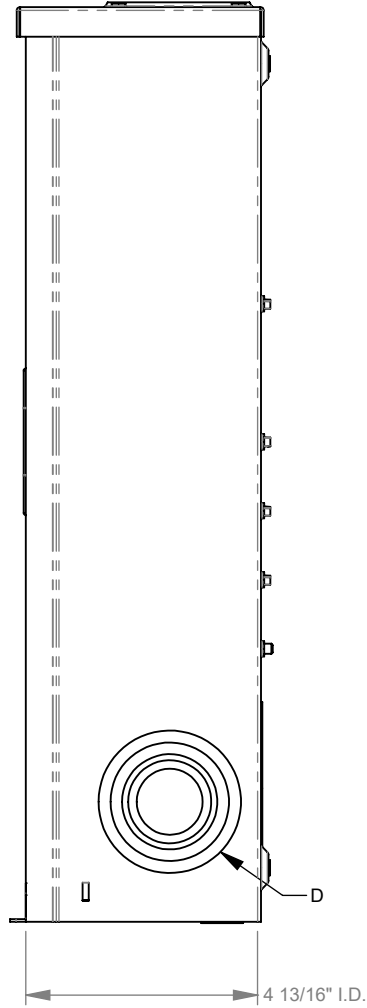
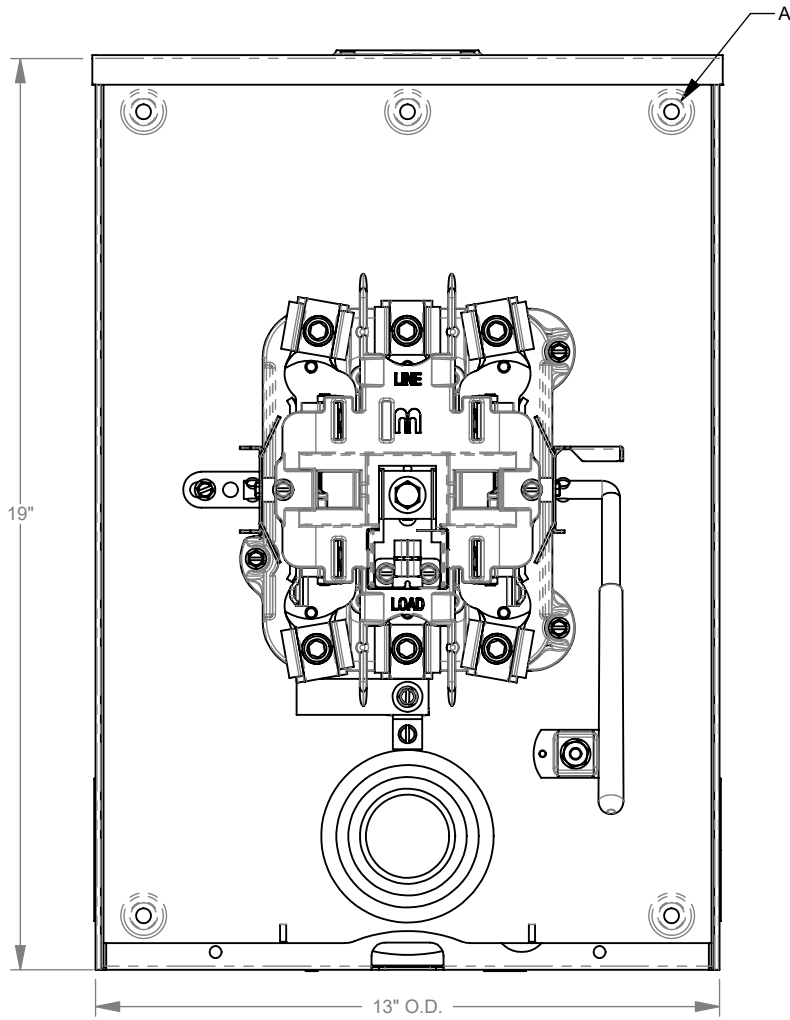
Hub Opening Small Hub Opening

Line Side Wire Range 6 AWG - 350 kcmil

Load Side Wire Range 6 AWG - 350 kcmil

Number Of Receptacles 0

Please consult serving utility for their requirements prior to ordering or installing, as specifications and approvals vary by utility and may require local electrical inspector approval. All installations must be installed by a licensed electrician and must comply with all national and local codes, laws and regulations. Milbank reserves the right to make changes in specifications and features shown without notice or obligation.



FEATURE TABLE		
ITEM	QTY	DESCRIPTION
A	5	U/L MNTG.EMBOSS
B	1	1/4" SOLID K.O.
C	1	1/4", 1/2" CONC. K.O.
D	2	1, 1 1/4", 1 1/2", 2", 2 1/2" CONC. K.O.
E	4	1 1/4", 1 1/2", 2", 2 1/2", 3" CONC. K.O.



MILBANK
ENERGY AT WORK

Version:

1

**All dimensions are +/- 1/16".
Drawing views are not to scale.**

Please consult serving utility for their requirements prior to ordering or installing, as specifications and approvals vary by utility, and may require local electrical inspector approval. All installations must be installed by a licensed electrician and must comply with all national and local codes, laws and regulations. Milbank reserves the right to make changes in specifications and features shown without notice or obligation.



MILBANK[®]
ENERGY AT WORK

U9581-RL-QG



Catalog Number	U9581-RL-QG
Marketing Product Description	5 Terminal Ringless Small Hub Open Quadplex Ground Lever Bypass
UPC	784572310568
Length (IN)	4.844
Width (IN)	13
Height (IN)	19
Brand Name	Milbank
Type	Ringless Meter Socket
Application	Meter Socket
Standard	UL Listed;Type 3R
Voltage Rating	600 Volts Alternating Current
Amperage Rating	200 Continuous Ampere
Phase	1 Phase
Frequency Rating	60 Hertz
Size	4.844L x 13W x19H
Number Of Cutouts	0
Cutout Size	No Main Breaker
Cable Entry	Overhead or Underground
Terminal	Lay in
Insulation	No Insulation
Mounting	Surface Mount

Enclosure G90 Galvanized Steel with Powder Coat Finish

Jaw Quantity 5 Terminal

Bypass Type Lever Bypass

Number of Meter Positions 1 Position

Equipment Ground Quadplex Ground

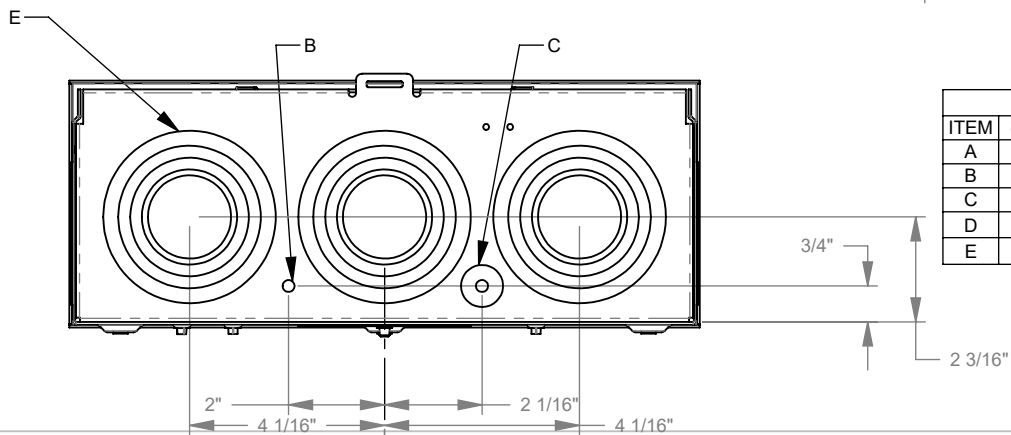
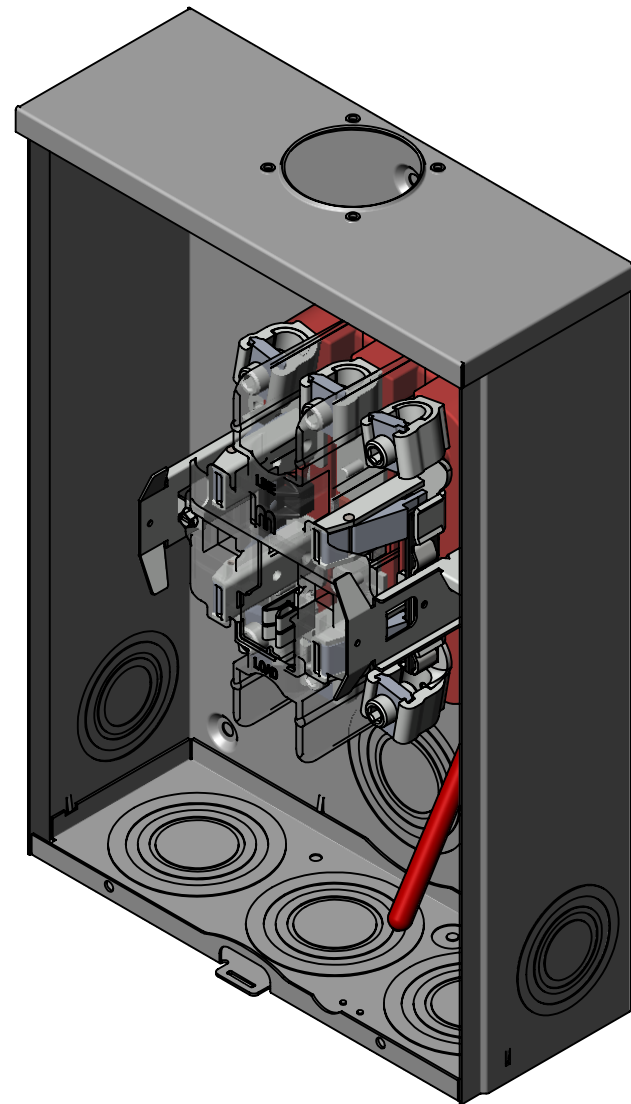
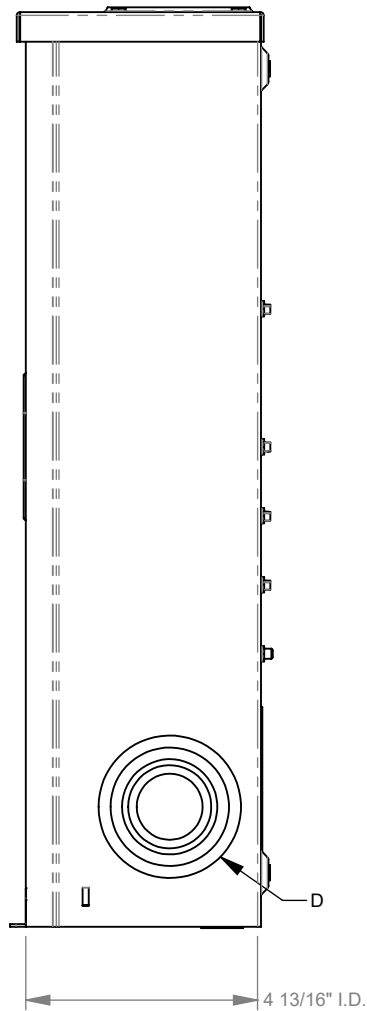
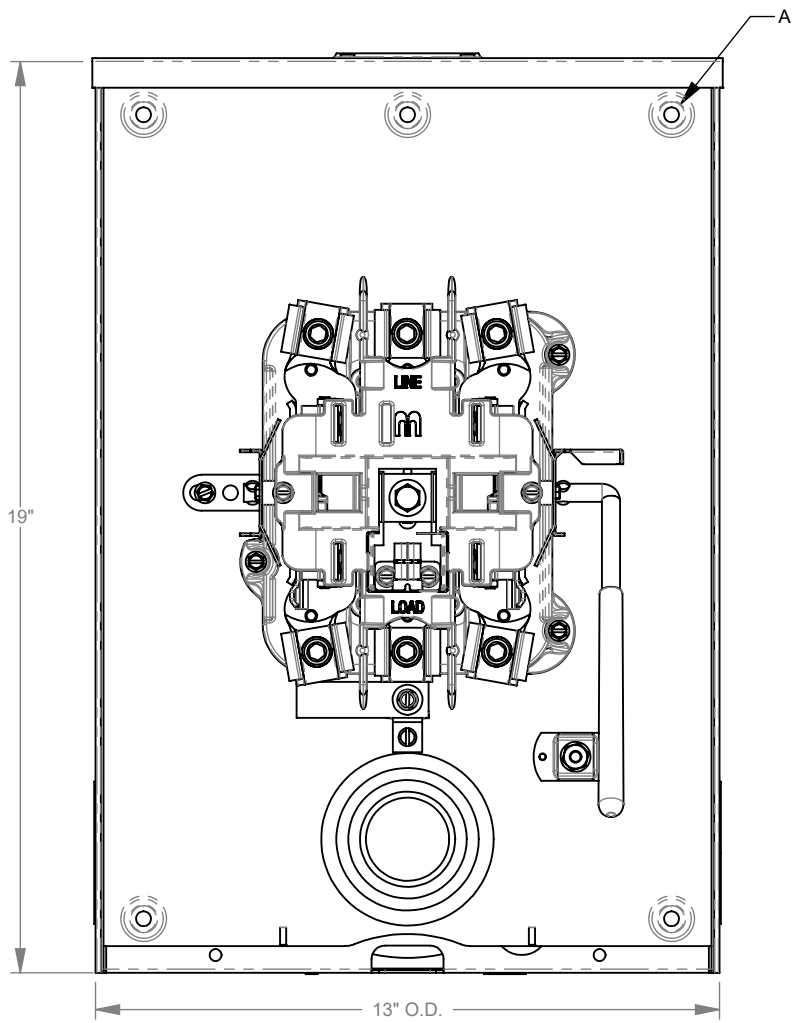
Hub Opening Small Hub Opening

Line Side Wire Range 6 AWG - 350 kcmil

Load Side Wire Range 6 AWG - 350 kcmil

Number Of Receptacles 0

Please consult serving utility for their requirements prior to ordering or installing, as specifications and approvals vary by utility and may require local electrical inspector approval. All installations must be installed by a licensed electrician and must comply with all national and local codes, laws and regulations. Milbank reserves the right to make changes in specifications and features shown without notice or obligation.



FEATURE TABLE		
ITEM	QTY	DESCRIPTION
A	5	U/L MNTG.EMBOSS
B	1	1/4" SOLID K.O.
C	1	1/4", 1/2" CONC. K.O.
D	2	1, 1 1/4", 1 1/2", 2", 2 1/2" CONC. K.O.
E	4	1 1/4", 1 1/2", 2", 2 1/2", 3" CONC. K.O.



MILBANK
ENERGY AT WORK

Version:

1

**All dimensions are +/- 1/16".
Drawing views are not to scale.**

Please consult serving utility for their requirements prior to ordering or installing, as specifications and approvals vary by utility, and may require local electrical inspector approval. All installations must be installed by a licensed electrician and must comply with all national and local codes, laws and regulations. Milbank reserves the right to make changes in specifications and features shown without notice or obligation.