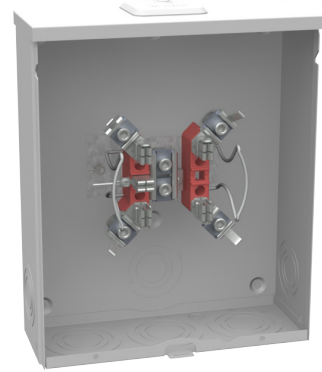




MILBANK
ENERGY AT WORK

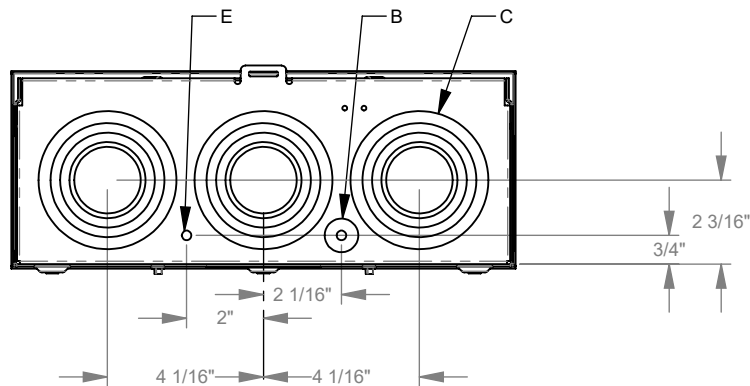
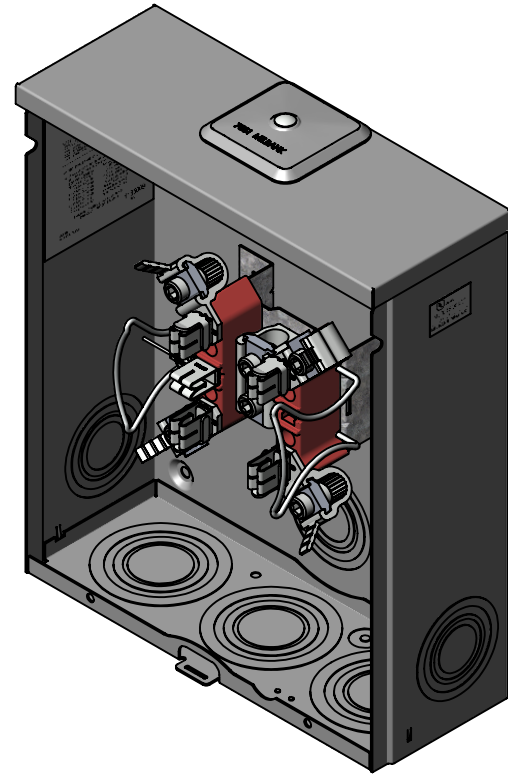
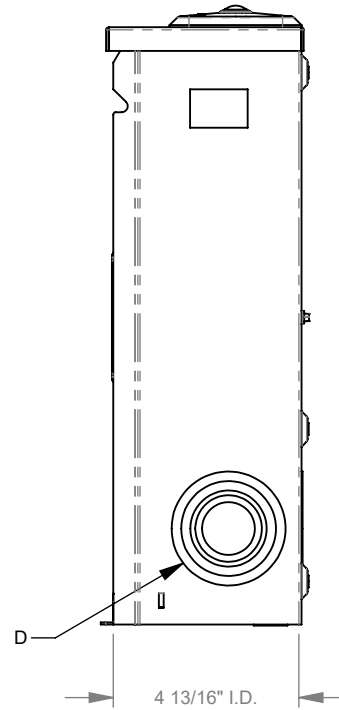
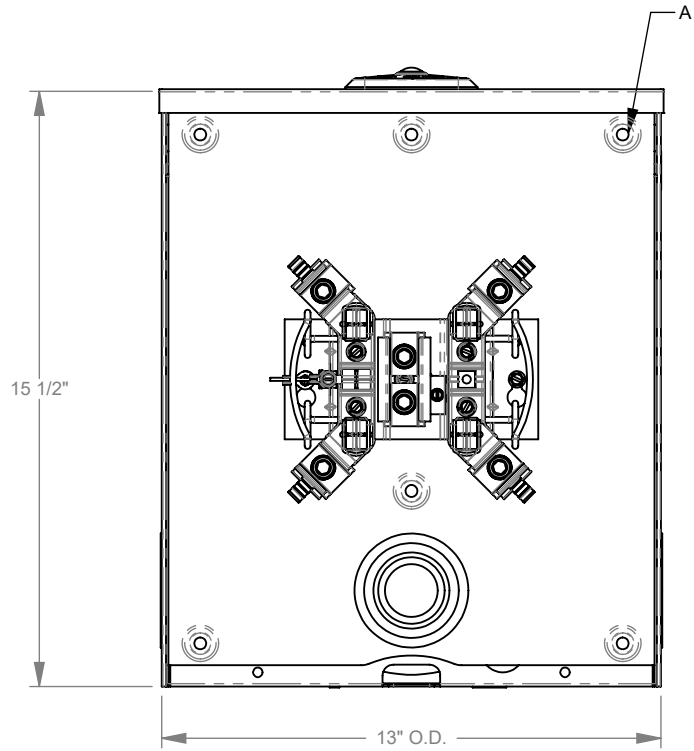
U7043-XL-TG-KK-IL-5T9W



Catalog Number	U7043-XL-TG-KK-IL-5T9W	Mounting	Surface Mount
Marketing Product Description	5 Terminal Ringless Small Closing Plate Triplex Ground Horn Bypass 7-16 In Knockouts Lock Provision 5 Terminal 9 Oclock Position With Wire	Enclosure	G90 Galvanized Steel with Powder Coat Finish
UPC	784572652316	Jaw Quantity	5 Terminal
Length (IN)	4.84	Bypass Type	Horn Bypass
Width (IN)	13	Number of Meter Positions	1 Position
Height (IN)	15.5	Equipment Ground	Triplex Ground
Brand Name	Milbank	Hub Opening	Small Closing Plate
Type	Ringless Meter Socket	Line Side Wire Range	6 AWG - 350 kcmil
Application	Meter Socket	Load Side Wire Range	6 AWG - 350 kcmil
Standard	UL Listed;Type 3R	Barrel Lock Provision	7/16 Inch Knockout for Barrel Lock Provision
Voltage Rating	600 Volts Alternating Current	Number Of Receptacles	0
Amperage Rating	200 Continuous Ampere		
Phase	1 Phase		
Frequency Rating	60 Hertz		
Size	4.84L x 13W x15.5H		
Number Of Cutouts	0		
Cutout Size	No Main Breaker		
Cable Entry	Overhead or Underground		
Terminal	Lay in		
Insulation	Glass Polyester		

Please consult serving utility for their requirements prior to ordering or installing, as specifications and approvals vary by utility and may require local electrical inspector approval. All installations must be installed by a licensed electrician and must comply with all national and local codes, laws and regulations. Milbank reserves the right to make changes in specifications and features shown without notice or obligation.

FEATURE TABLE		
ITEM	QTY	DESCRIPTION
A	6	U/L MNTG.EMBOSS
B	1	¼, ½ CONC. K.O.
C	3	1¼, 1½, 2, 2½, 3 CONC. K.O.
D	3	1, 1¼, 1½, 2, 2½ CONC. K.O.
E	1	¼ SOLID K.O.



Version:

1

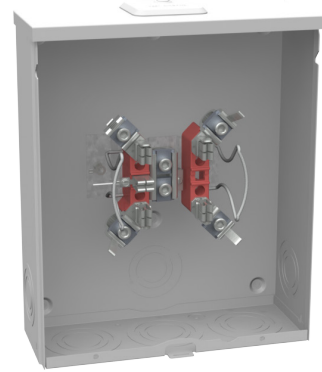
All dimensions are +/- 1/16".
Drawing views are not to scale.

Please consult serving utility for their requirements prior to ordering or installing, as specifications and approvals vary by utility, and may require local electrical inspector approval. All installations must be installed by a licensed electrician and must comply with all national and local codes, laws and regulations. Milbank reserves the right to make changes in specifications and features shown without notice or obligation.



MILBANK[®]
ENERGY AT WORK

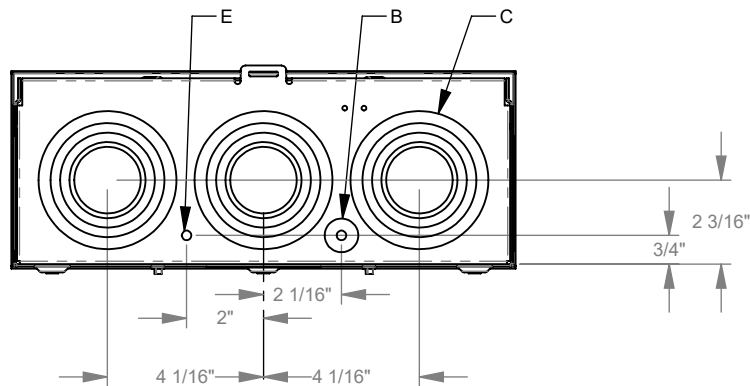
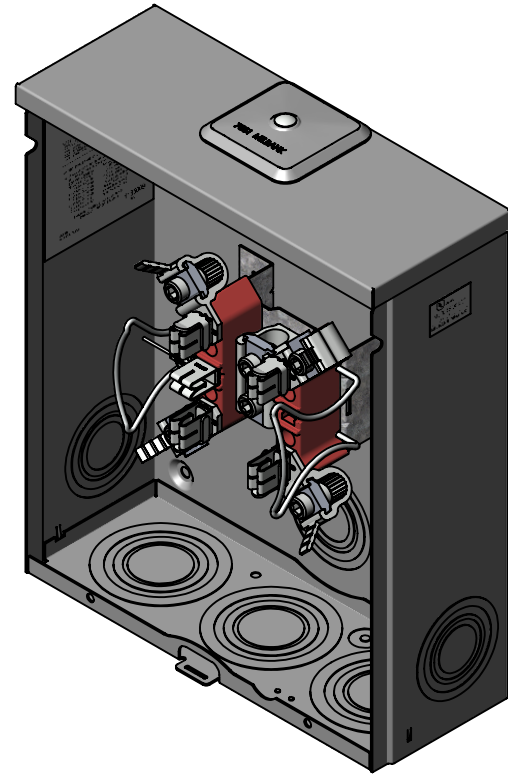
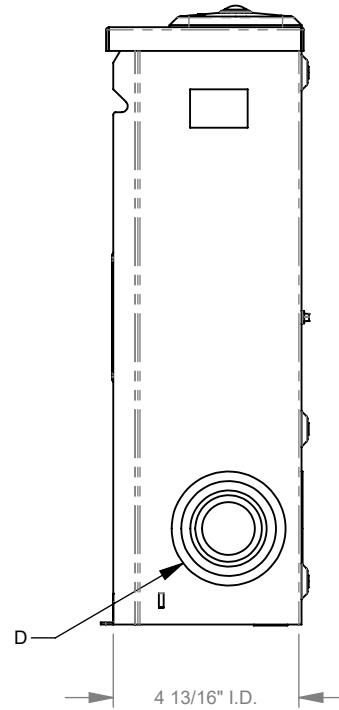
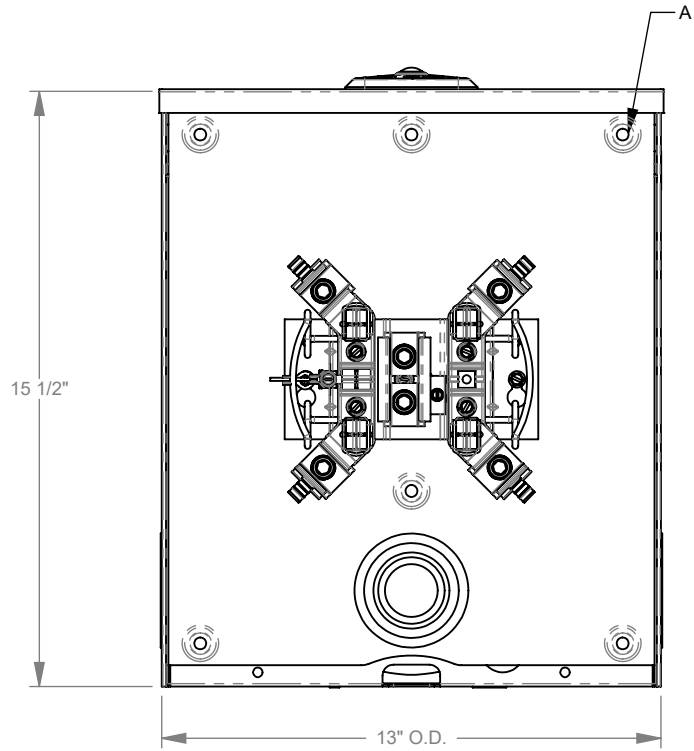
U7043-XL-TG-KK-IL-5T9W



Catalog Number	U7043-XL-TG-KK-IL-5T9W	Mounting	Surface Mount
Marketing Product Description	5 Terminal Ringless Small Closing Plate Triplex Ground Horn Bypass 7-16 In Knockouts Lock Provision 5 Terminal 9 Oclock Position With Wire	Enclosure	G90 Galvanized Steel with Powder Coat Finish
UPC	784572652316	Jaw Quantity	5 Terminal
Length (IN)	4.84	Bypass Type	Horn Bypass
Width (IN)	13	Number of Meter Positions	1 Position
Height (IN)	15.5	Equipment Ground	Triplex Ground
Brand Name	Milbank	Hub Opening	Small Closing Plate
Type	Ringless Meter Socket	Line Side Wire Range	6 AWG - 350 kcmil
Application	Meter Socket	Load Side Wire Range	6 AWG - 350 kcmil
Standard	UL Listed;Type 3R	Barrel Lock Provision	7/16 Inch Knockout for Barrel Lock Provision
Voltage Rating	600 Volts Alternating Current	Number Of Receptacles	0
Amperage Rating	200 Continuous Ampere		
Phase	1 Phase		
Frequency Rating	60 Hertz		
Size	4.84L x 13W x15.5H		
Number Of Cutouts	0		
Cutout Size	No Main Breaker		
Cable Entry	Overhead or Underground		
Terminal	Lay in		
Insulation	Glass Polyester		

Please consult serving utility for their requirements prior to ordering or installing, as specifications and approvals vary by utility and may require local electrical inspector approval. All installations must be installed by a licensed electrician and must comply with all national and local codes, laws and regulations. Milbank reserves the right to make changes in specifications and features shown without notice or obligation.

FEATURE TABLE		
ITEM	QTY	DESCRIPTION
A	6	U/L MNTG.EMBOSS
B	1	¼, ½ CONC. K.O.
C	3	1¼, 1½, 2, 2½, 3 CONC. K.O.
D	3	1, 1¼, 1½, 2, 2½ CONC. K.O.
E	1	¼ SOLID K.O.



Version:

1

All dimensions are +/- 1/16".
Drawing views are not to scale.

Please consult serving utility for their requirements prior to ordering or installing, as specifications and approvals vary by utility, and may require local electrical inspector approval. All installations must be installed by a licensed electrician and must comply with all national and local codes, laws and regulations. Milbank reserves the right to make changes in specifications and features shown without notice or obligation.