



**MILBANK**<sup>®</sup>  
ENERGY AT WORK

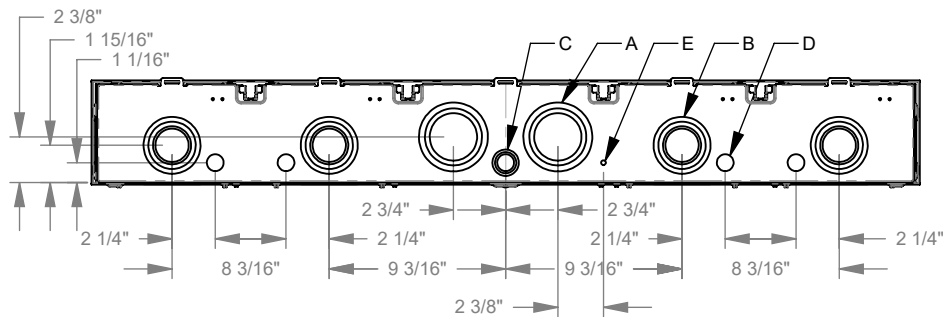
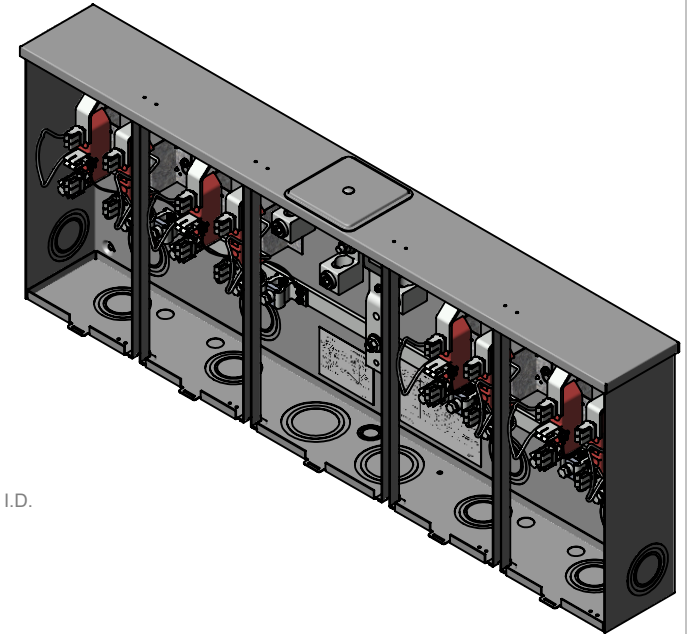
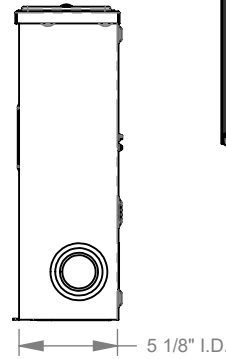
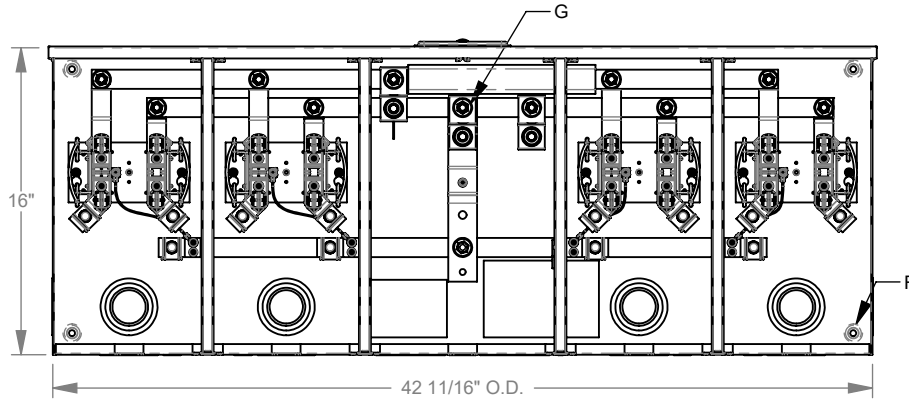
## U1254-X-5T-K3



Catalog Number	U1254-X-5T-K3	Enclosure	G90 Galvanized Steel with Powder Coat Finish
Marketing Product Description	5 Terminal Ringless Large Closing Plate 4 Position Single Connector 4-600kcmil	Jaw Quantity	5 Terminal
UPC	784572157866	Bypass Type	No Bypass
Length (IN)	5.125	Number of Meter Positions	4 Positions
Width (IN)	42.688	Equipment Ground	Ground Lug
Height (IN)	16	Hub Opening	Large Closing Plate
Brand Name	Milbank	Line Side Wire Range	4 AWG - 600 kcmil or Two 1/0 AWG - 250 kcmil
Type	Ringless Meter Socket	Load Side Wire Range	6 AWG - 350 kcmil
Application	Meter Socket	Number Of Receptacles	0
Standard	UL Listed;Type 3R		
Voltage Rating	300 Volts Alternating Current		
Amperage Rating	200 Continuous Ampere		
Phase	1 Phase		
Frequency Rating	60 Hertz		
Size	5.125L x 42.688W x 16H		
Number Of Cutouts	0		
Cutout Size	No Main Breaker		
Cable Entry	Overhead or Underground with Center Wireway		
Terminal	Single Mechanical		
Insulation	Glass Polyester		
Mounting	Surface Mount		

Please consult serving utility for their requirements prior to ordering or installing, as specifications and approvals vary by utility and may require local electrical inspector approval. All installations must be installed by a licensed electrician and must comply with all national and local codes, laws and regulations. Milbank reserves the right to make changes in specifications and features shown without notice or obligation.

FEATURE TABLE		
ITEM	QTY	DESCRIPTION
A	2	2, 2½, 3 CONC. K.O.
B	10	1¼, 1½, 2, 2½ CONC. K.O.
C	1	½, ¾, 1 CONC. K.O.
D	4	½ SOLID K.O.
E	1	¼ SOLID K.O.
F	4	STD. MNTG. EMBOSS
G	2	3/8-16 LUG STUDS



**MILBANK**  
ENERGY AT WORK

Version:

**1**

**All dimensions are +/- 1/16".  
Drawing views are not to scale.**

Please consult serving utility for their requirements prior to ordering or installing, as specifications and approvals vary by utility, and may require local electrical inspector approval. All installations must be installed by a licensed electrician and must comply with all national and local codes, laws and regulations. Milbank reserves the right to make changes in specifications and features shown without notice or obligation.



**MILBANK**<sup>®</sup>  
ENERGY AT WORK

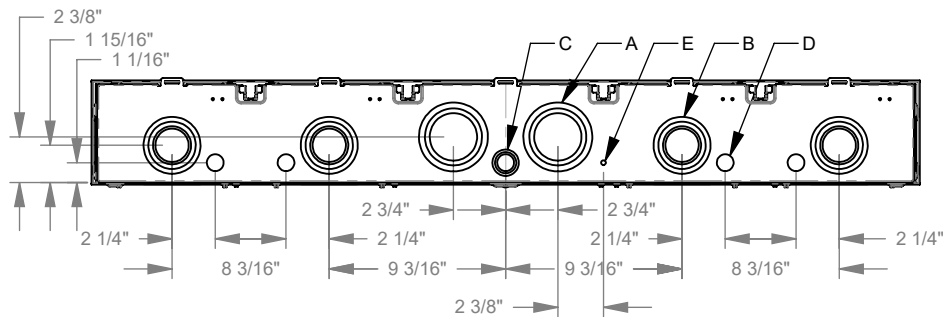
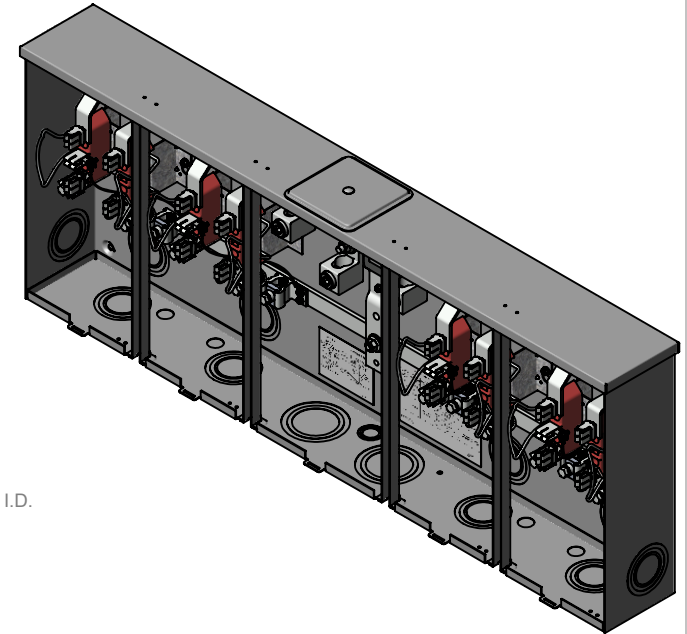
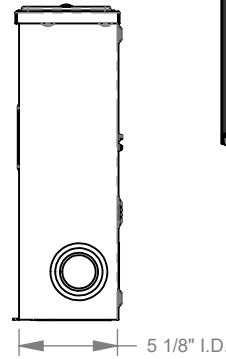
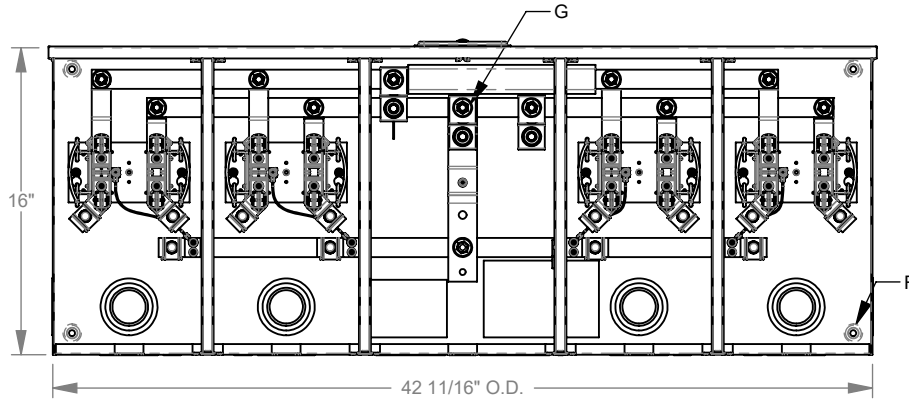
## U1254-X-5T-K3



Catalog Number	U1254-X-5T-K3	Enclosure	G90 Galvanized Steel with Powder Coat Finish
Marketing Product Description	5 Terminal Ringless Large Closing Plate 4 Position Single Connector 4-600kcmil	Jaw Quantity	5 Terminal
UPC	784572157866	Bypass Type	No Bypass
Length (IN)	5.125	Number of Meter Positions	4 Positions
Width (IN)	42.688	Equipment Ground	Ground Lug
Height (IN)	16	Hub Opening	Large Closing Plate
Brand Name	Milbank	Line Side Wire Range	4 AWG - 600 kcmil or Two 1/0 AWG - 250 kcmil
Type	Ringless Meter Socket	Load Side Wire Range	6 AWG - 350 kcmil
Application	Meter Socket	Number Of Receptacles	0
Standard	UL Listed;Type 3R		
Voltage Rating	300 Volts Alternating Current		
Amperage Rating	200 Continuous Ampere		
Phase	1 Phase		
Frequency Rating	60 Hertz		
Size	5.125L x 42.688W x 16H		
Number Of Cutouts	0		
Cutout Size	No Main Breaker		
Cable Entry	Overhead or Underground with Center Wireway		
Terminal	Single Mechanical		
Insulation	Glass Polyester		
Mounting	Surface Mount		

Please consult serving utility for their requirements prior to ordering or installing, as specifications and approvals vary by utility and may require local electrical inspector approval. All installations must be installed by a licensed electrician and must comply with all national and local codes, laws and regulations. Milbank reserves the right to make changes in specifications and features shown without notice or obligation.

FEATURE TABLE		
ITEM	QTY	DESCRIPTION
A	2	2, 2½, 3 CONC. K.O.
B	10	1¼, 1½, 2, 2½ CONC. K.O.
C	1	½, ¾, 1 CONC. K.O.
D	4	½ SOLID K.O.
E	1	¼ SOLID K.O.
F	4	STD. MNTG. EMBOSS
G	2	3/8-16 LUG STUDS



Version:

1

All dimensions are +/- 1/16".  
Drawing views are not to scale.

Please consult serving utility for their requirements prior to ordering or installing, as specifications and approvals vary by utility, and may require local electrical inspector approval. All installations must be installed by a licensed electrician and must comply with all national and local codes, laws and regulations. Milbank reserves the right to make changes in specifications and features shown without notice or obligation.