

4

3

2

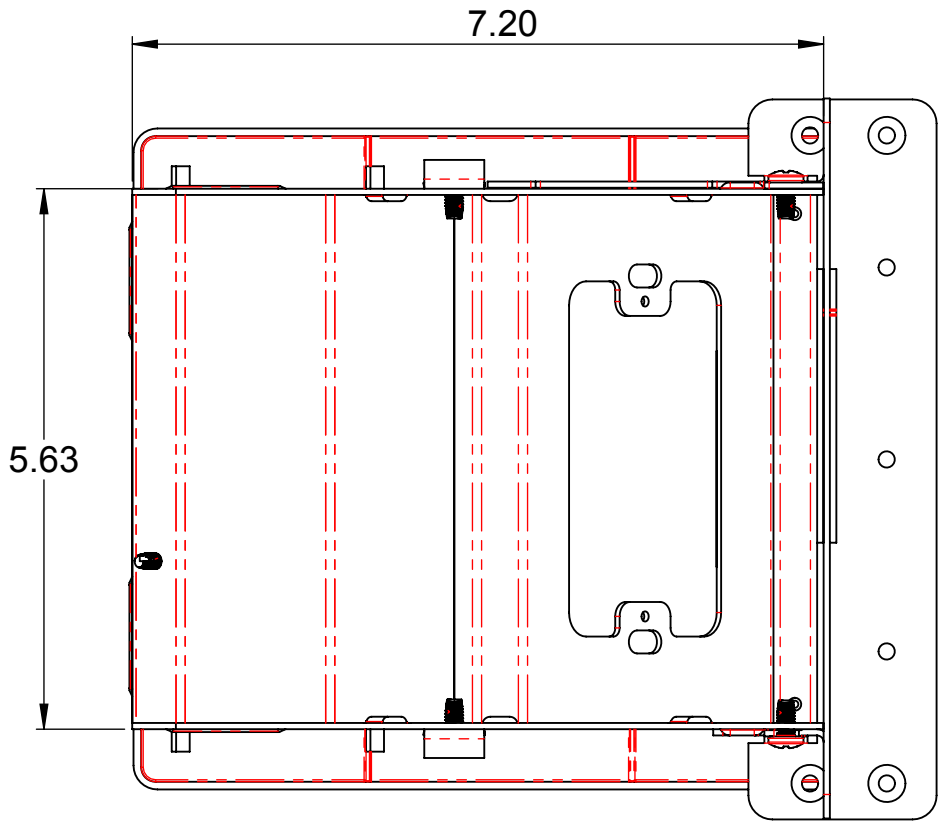
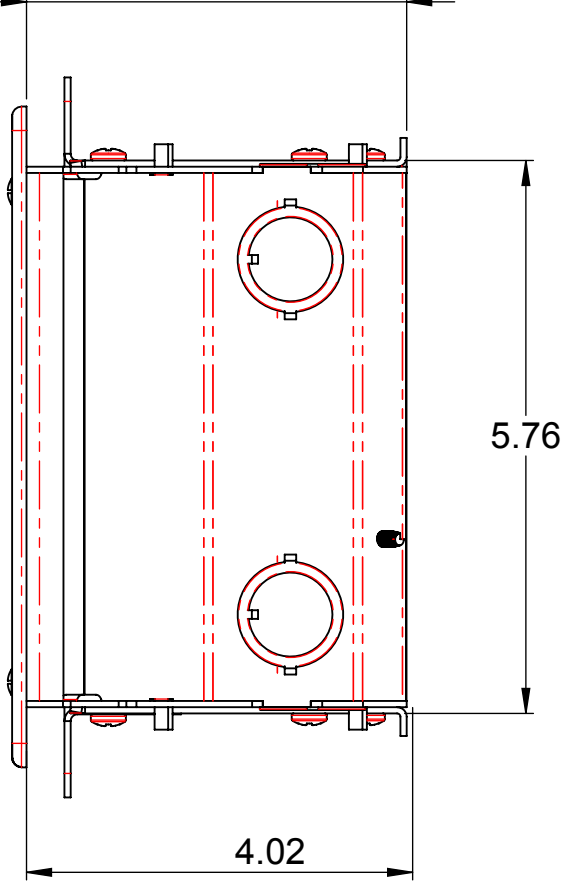
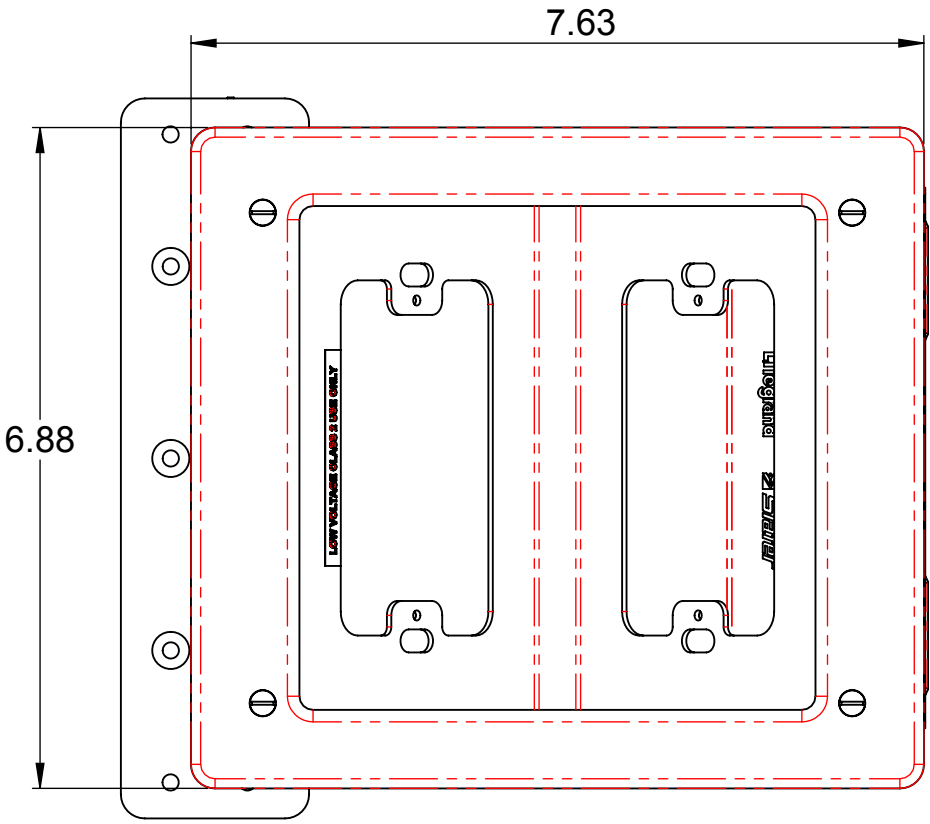
1

BRACKET SHOWN MOUNTED FOR METAL STUDS

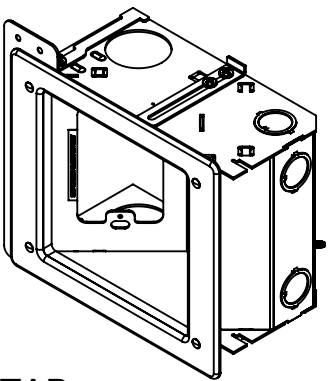
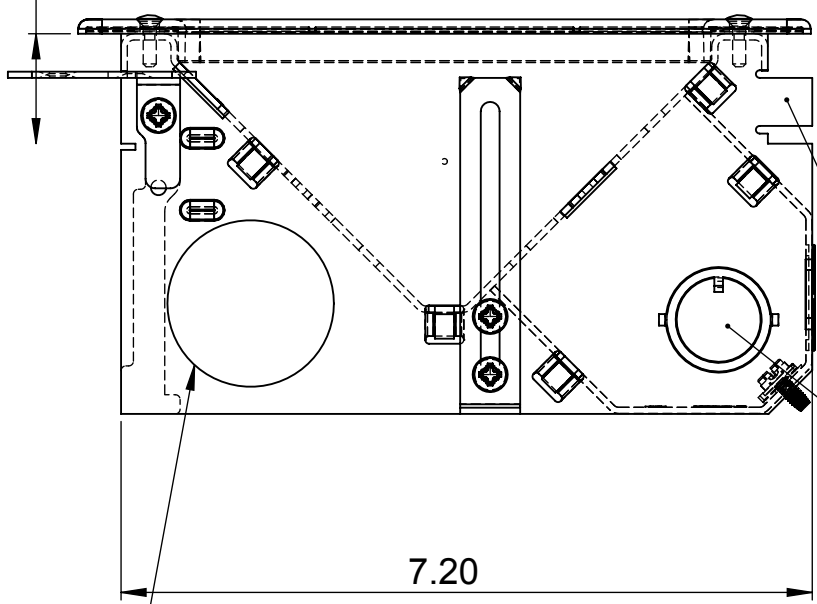
ADJUSTABLE FOOT FOR 2X4, 2X6 APPLICATION

REVISIONS					
REV.	EC. NO.	DATE	DESCRIPTION	CRTR	CHK
B	PS02562	7/1/2019		JR	RMR

- NOTES:
- 1) cULus LISTED FILE #E143223 OUTLET BOX
  - 2) 37.5 CUBIC INCH BOX
  - 3) TRIM RING COLOR: WHITE
  - 4) METAL BOX COLOR: PAINTED BLACK



ACCOMMODATES WALL THICKNESS OF 3/8", 1/2", 5/8", 1", 1-1/4"



BREAK AWAY TAB  
1/2' & 3/4' TRADE SIZE KNOCKOUTS  
QUANTITY 4

**ENVIRONMENTAL MATERIAL REQUIREMENTS**  
MATERIALS, PRODUCTS, PARTS AND ASSEMBLIES PROVIDED UNDER THIS DRAWING MUST MEET THE REQUIREMENTS DETAILED IN THE LATEST REVISION OF THE LEGRAND, NORTH & CENTRAL AMERICA CORPORATE ENVIRONMENTAL MATERIAL REQUIREMENTS (EMR) DOCUMENT EMS-009. ANY DEVIATION FROM THE EMR REQUIREMENTS MUST BE APPROVED BY AN AUTHORIZED REPRESENTATIVE OF LEGRAND PRODUCT ENGINEERING IN WRITING. THE LATEST EMR DOCUMENT IS AVAILABLE ON REQUEST.

FITS 1-1/4' FITTINGS

Unspecified Tol. Frac ±1/64 Angles ±1.0	Tool Number:	Finish:	Drawing Title	
	Material:		RECESSED TV BOX NEW WORK 2G	
	Part Weight:	Date:	Model Number: TV2M	
	Created By: JR	6/13/2019		
Checked By: RMR	6/13/2019			
Do Not Scale Drawing	NOTICE: Proprietary and confidential information of Pass & Seymour/Legrand. Reproduction or disclosure prohibited under penalty of law.		Drawing No. CAD3028-PS-TV2M	Rev. B
	Scale: 1:2	Sheet 1 of 2		

4

3

2

1

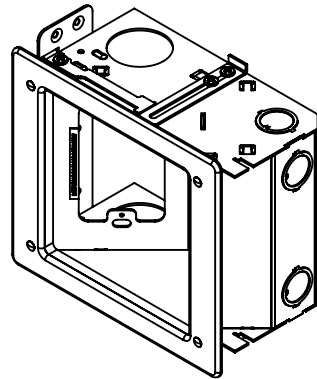
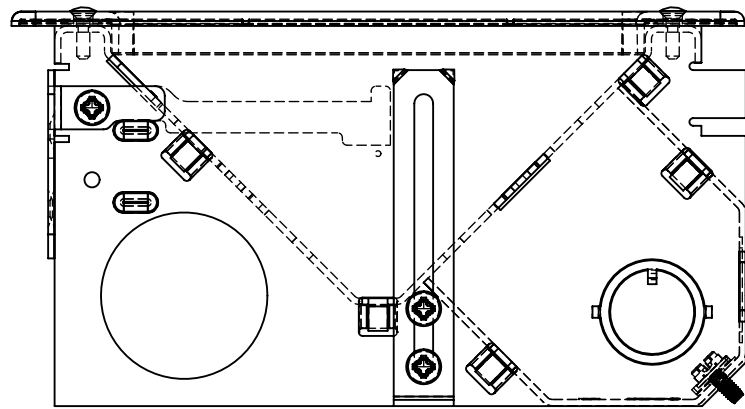
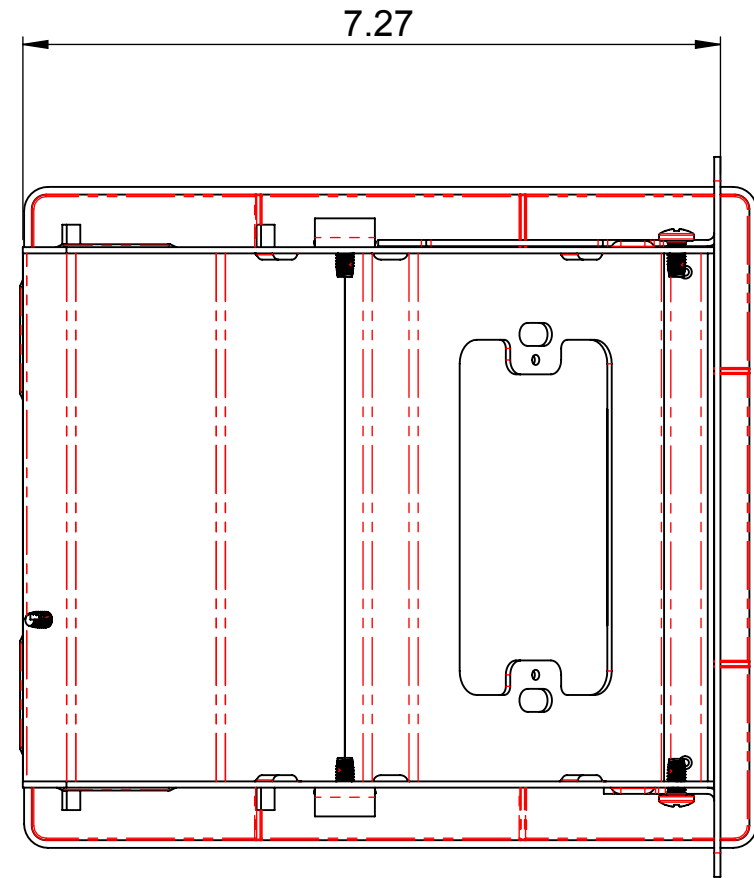
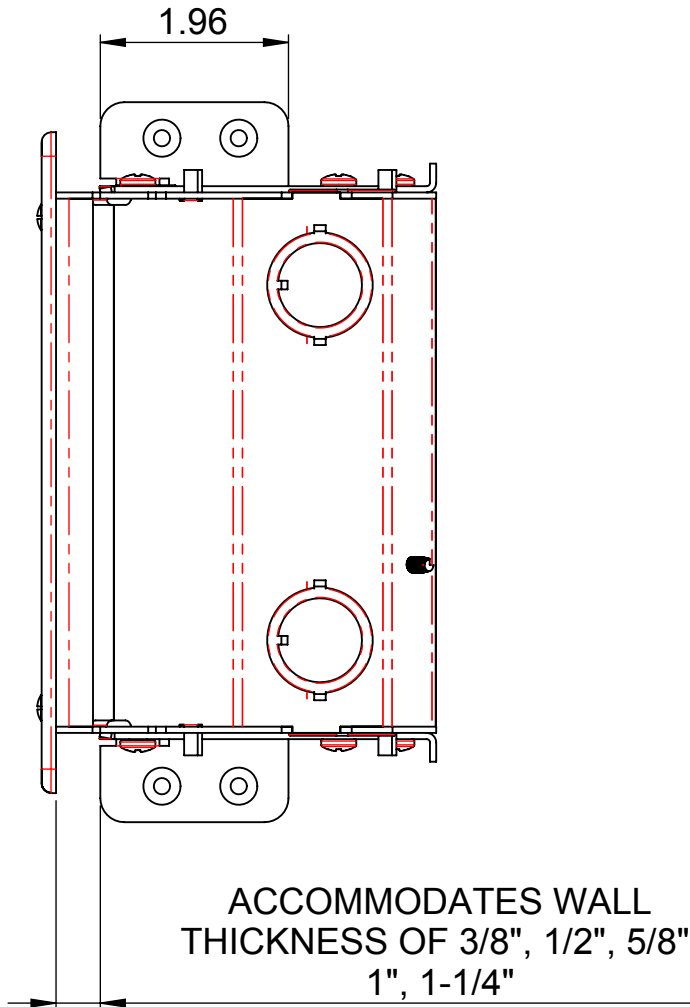
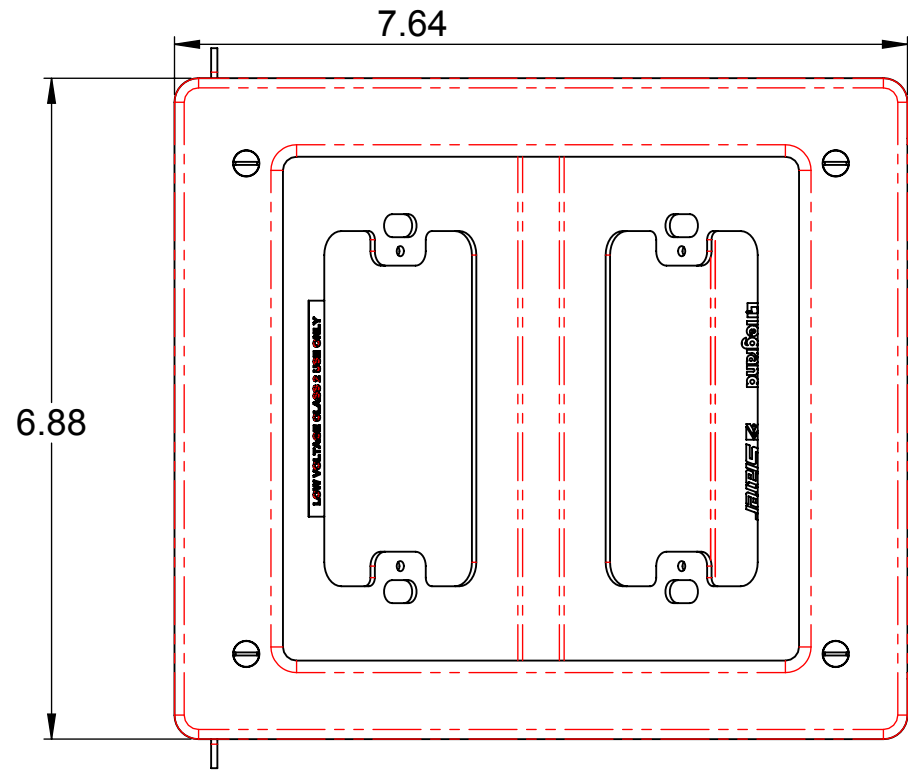
B

B

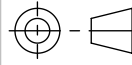

A

A

BRACKET SHOWN MOUNTED FOR WOOD STUDS



**ENVIRONMENTAL MATERIAL REQUIREMENTS**  
 MATERIALS, PRODUCTS, PARTS AND ASSEMBLIES PROVIDED UNDER THIS DRAWING MUST MEET THE REQUIREMENTS DETAILED IN THE LATEST REVISION OF THE LEGRAND, NORTH & CENTRAL AMERICA CORPORATE ENVIRONMENTAL MATERIAL REQUIREMENTS (EMR) DOCUMENT EMS-009. ANY DEVIATION FROM THE EMR REQUIREMENTS MUST BE APPROVED BY AN AUTHORIZED REPRESENTATIVE OF LEGRAND PRODUCT ENGINEERING IN WRITING. THE LATEST EMR DOCUMENT IS AVAILABLE ON REQUEST.

Unspecified Tol. Frac ±1/64 Angles ±1.0	Tool Number:	Finish:	Drawing Title	
	Material:		RECESSED TV BOX NEW WORK 2G	
	Part Weight:	Model Number: TV2M		
	Created By: JR	Date: 6/13/2019	Drawing No. CAD3028-PS-TV2M	
Do Not Scale Drawing	Checked By: RMR	Date: 6/13/2019	Scale: 1:2	Sheet 2 of 2
NOTICE: Proprietary and confidential information of Pass & Seymour/Legrand. Reproduction or disclosure prohibited under penalty of law.			Rev. B	