

Arrow Hart commercial grade combination GFCI with switch

| | |
|-----------------|--------------|
| Project Name: | Prepared By: |
| Project Number: | Date: |
| Catalog Number: | Type: |

Description

2-pole, 3-wire grounding
 15A, 125V/AC (Receptacle)
 15A, 120V/AC (Switch)



5-15R



TRSGFS15

Design features

- Single-pole switch with TR GFCI protected receptacle
- UL listed, fully compliant with all latest UL 943, UL 498, and UL 20 safety standards
- Lock-out functionality protects from mis-wired line-load connections and GFCI circuitry damage
- Ground termination with backwire clamp provides secure wiring and reduces installation time
- Tapered backwire openings handle multiple wire sizes and types for applications up to #10 AWG solid or stranded wire
- When downstream receptacles are wired from load side, a 20A feed-through rating offers full protection
- Tamper resistant shutters provide compliance with 2017 NEC Article 406.12
- Double and triple wipe blade contacts and double wipe ground contacts to insure long-term blade retention
- Visual indicator light provides quick visual reference of a tripped or “end of life” condition

Table 1. Commercial grade combination GFCI with nightlight

| Catalog no. | Description | Rating | | | Color suffix |
|--------------|---|--------|------|-------|--------------|
| | | A | V/AC | NEMA | |
| □ TRSGFS15__ | Tamper resistant GFCI with single pole switch | 15 | 125 | 5-15R | LA, V, W |

Includes mid-size unbreakable wallplate unless otherwise noted

Compliances, specifications and availability are subject to change without notice.



Powering Business Worldwide

| | |
|-----------------|--------------|
| Project Name: | Prepared By: |
| Project Number: | Date: |
| Catalog Number: | Type: |

Applications

The Arrow Hart line of GFCIs provides the safest design possible by denying power if the device is mis-wired or if it is no longer providing GFCI protection. The combination GFCI with switch adds an additional feature by providing lighting control. The tamper resistant shutters prevent foreign objects from being inserted and provide code compliance for both residential and commercial applications.

Table 2. Specifications

| | |
|--------------------------------------|---|
| Catalog no. | TRSGFS15 |
| Device type | Combination GFCI with switch |
| Wiring type | Back & side wire |
| Testing & code compliance | <ul style="list-style-type: none"> • cULus Listed to UL 498 and UL 943, UL 20 file no. E60120 • Meets all UL 943 (GFCI), UL 498 (receptacles) and applicable CSA requirements • NOM certified |
| Environmental specifications | Flammability: Meets UL 94 requirements; V2 rated Temperature rating: -35°C to 66°C (-31°F to 150.8°F) |
| Electrical specifications | Dielectric voltage: Withstands 2000V per UL 498 Current interrupting: Yes, at full-rated current Temperature rise: Max. 30°C (86°F) after 100 cycles of overload @ 150% of rated current (DC) Trip time: 0.025 seconds (Class A) Frequency: 60 Hz; Voltage: 125V; Amperage: 15A/20A 20A feed-through Short circuit testing: Meets and exceeds 10 kA Maximum interrupting capacity: 20 Amps |
| Mechanical specifications | Terminal accommodation: #14 - 10 AWG Voltage ratings: Permanently marked on device |

Table 3. Materials

| | |
|-----------------------|--|
| Catalog no. | TRSGFS15 |
| Top housing | Thermoplastic, polypropylene |
| Lens | Thermoplastic, PC |
| Bottom housing | Thermoplastic, PVC |
| Strap | 0.047" thick steel, nickel-plated |
| Line contacts | 0.030" thick brass |
| Ground contact | 0.014" thick brass |
| Terminal screw | #8-32 steel, brass-plated; neutral screw nickel-plated |
| Ground screw | #8-32 steel, zinc-plated; green |

Table 4. GFCI status indicator

| Test indicator RED LED | Test indicator AMBER LED | Diagnosis | Color suffix |
|---------------------------|-----------------------------|--|---|
| OFF | OFF | Device is functioning properly OR branch circuit may have no power | Manually depress TEST button to trip device. Amber light should come ON <ul style="list-style-type: none"> • If Amber light does <u>not</u> come ON, check if there is power to the branch • If Amber light does come ON, manually depress the RESET button to restore power to the device • If GFCI does not reset, replace GFCI • If GFCI does reset, device is functioning properly |
| OFF | ON | Device is in tripped state | Manually depress the RESET button to restore power to the device <ul style="list-style-type: none"> • If GFCI does not reset, replace GFCI |
| Blinking | OFF | Device's "end of life" indication OR device is in reset state | Manually depress TEST button to trip device. Amber light should come ON <ul style="list-style-type: none"> • If Amber light does <u>not</u> come ON, check if there is power to the branch • If Amber light does come ON, manually depress the RESET button to restore power to the device • If it does not reset, and/or the blinking continues, replace GFCI |
| Blinking | ON | Device's "end of life" indication OR device is in tripped state | Manually depress the RESET button to restore power to the device <ul style="list-style-type: none"> • If it does not reset, and/or the blinking continues, replace GFCI |

| | |
|-----------------|--------------|
| Project Name: | Prepared By: |
| Project Number: | Date: |
| Catalog Number: | Type: |

Table 5. Color ordering information

| | | |
|----|---|---|
| LA | V | W |
|----|---|---|

Lt. Almond Ivory White

For ordering devices, include Cat. no. followed by the color code: LA (Light Almond), V (Ivory), W (White)

Product dimensions

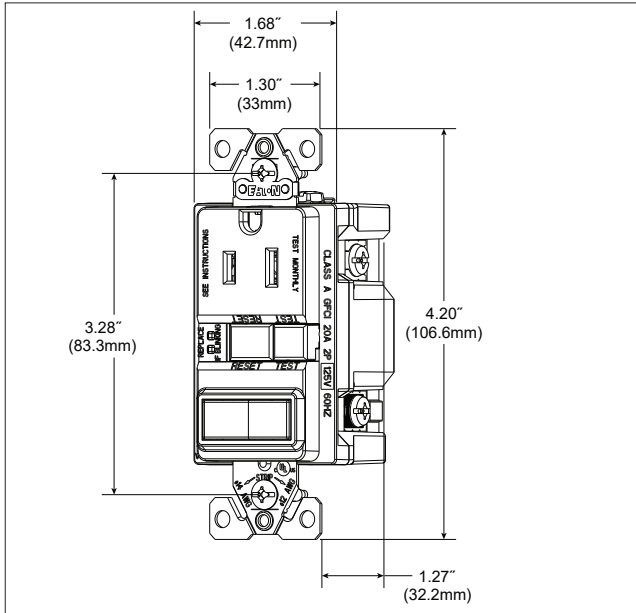


Figure 1. TRSGFS15 dimensions

Certifications & compliances

Catalog no.
TRSGFS15

KEY: cULus NOM Arrowlink Build-To-Spec

Build-To-Spec Customizable Devices

Electrical Sector
203 Cooper Circle
Peachtree City, GA 30269
United States
Eaton.com
Eaton.com/wiringdevices

Electrical Sector
Canada Operations
5925 McLaughlin Road
Mississauga, Ontario, L5R 1B8
Canada
EatonCanada.ca
Eaton.com/wiringdevices

Electrical Sector
Mexico Operations
Carr. Tlalnepantla -
Cuautitlán Km 17.8 s/n
Col. Villa Jardin esq.
Cerrada 8 de Mayo
Cuautitlán, México CP 54800
México
Eaton.mx
Eaton.com/wiringdevices

Arrow Hart commercial grade combination GFCI with switch

| | |
|-----------------|--------------|
| Project Name: | Prepared By: |
| Project Number: | Date: |
| Catalog Number: | Type: |

Description

2-pole, 3-wire grounding
 15A, 125V/AC (Receptacle)
 15A, 120V/AC (Switch)



5-15R



TRSGFS15

Design features

- Single-pole switch with TR GFCI protected receptacle
- UL listed, fully compliant with all latest UL 943, UL 498, and UL 20 safety standards
- Lock-out functionality protects from mis-wired line-load connections and GFCI circuitry damage
- Ground termination with backwire clamp provides secure wiring and reduces installation time
- Tapered backwire openings handle multiple wire sizes and types for applications up to #10 AWG solid or stranded wire
- When downstream receptacles are wired from load side, a 20A feed-through rating offers full protection
- Tamper resistant shutters provide compliance with 2017 NEC Article 406.12
- Double and triple wipe blade contacts and double wipe ground contacts to insure long-term blade retention
- Visual indicator light provides quick visual reference of a tripped or "end of life" condition

Table 1. Commercial grade combination GFCI with nightlight

| Catalog no. | Description | Rating | | | Color suffix |
|--------------|---|--------|------|-------|--------------|
| | | A | V/AC | NEMA | |
| □ TRSGFS15__ | Tamper resistant GFCI with single pole switch | 15 | 125 | 5-15R | LA, V, W |

Includes mid-size unbreakable wallplate unless otherwise noted

Compliances, specifications and availability are subject to change without notice.



Powering Business Worldwide

| | |
|-----------------|--------------|
| Project Name: | Prepared By: |
| Project Number: | Date: |
| Catalog Number: | Type: |

Applications

The Arrow Hart line of GFCIs provides the safest design possible by denying power if the device is mis-wired or if it is no longer providing GFCI protection. The combination GFCI with switch adds an additional feature by providing lighting control. The tamper resistant shutters prevent foreign objects from being inserted and provide code compliance for both residential and commercial applications.

Table 2. Specifications

| | |
|--------------------------------------|---|
| Catalog no. | TRSGFS15 |
| Device type | Combination GFCI with switch |
| Wiring type | Back & side wire |
| Testing & code compliance | <ul style="list-style-type: none"> • cULus Listed to UL 498 and UL 943, UL 20 file no. E60120 • Meets all UL 943 (GFCI), UL 498 (receptacles) and applicable CSA requirements • NOM certified |
| Environmental specifications | Flammability: Meets UL 94 requirements; V2 rated Temperature rating: -35°C to 66°C (-31°F to 150.8°F) |
| Electrical specifications | Dielectric voltage: Withstands 2000V per UL 498 Current interrupting: Yes, at full-rated current Temperature rise: Max. 30°C (86°F) after 100 cycles of overload @ 150% of rated current (DC) Trip time: 0.025 seconds (Class A) Frequency: 60 Hz; Voltage: 125V; Amperage: 15A/20A 20A feed-through Short circuit testing: Meets and exceeds 10 kA Maximum interrupting capacity: 20 Amps |
| Mechanical specifications | Terminal accommodation: #14 - 10 AWG Voltage ratings: Permanently marked on device |

Table 3. Materials

| | |
|-----------------------|--|
| Catalog no. | TRSGFS15 |
| Top housing | Thermoplastic, polypropylene |
| Lens | Thermoplastic, PC |
| Bottom housing | Thermoplastic, PVC |
| Strap | 0.047" thick steel, nickel-plated |
| Line contacts | 0.030" thick brass |
| Ground contact | 0.014" thick brass |
| Terminal screw | #8-32 steel, brass-plated; neutral screw nickel-plated |
| Ground screw | #8-32 steel, zinc-plated; green |

Table 4. GFCI status indicator

| Test indicator RED LED | Test indicator AMBER LED | Diagnosis | Color suffix |
|---------------------------|-----------------------------|--|---|
| OFF | OFF | Device is functioning properly OR branch circuit may have no power | Manually depress TEST button to trip device. Amber light should come ON <ul style="list-style-type: none"> • If Amber light does <u>not</u> come ON, check if there is power to the branch • If Amber light does come ON, manually depress the RESET button to restore power to the device • If GFCI does not reset, replace GFCI • If GFCI does reset, device is functioning properly |
| OFF | ON | Device is in tripped state | Manually depress the RESET button to restore power to the device <ul style="list-style-type: none"> • If GFCI does not reset, replace GFCI |
| Blinking | OFF | Device's "end of life" indication OR device is in reset state | Manually depress TEST button to trip device. Amber light should come ON <ul style="list-style-type: none"> • If Amber light does <u>not</u> come ON, check if there is power to the branch • If Amber light does come ON, manually depress the RESET button to restore power to the device • If it does not reset, and/or the blinking continues, replace GFCI |
| Blinking | ON | Device's "end of life" indication OR device is in tripped state | Manually depress the RESET button to restore power to the device <ul style="list-style-type: none"> • If it does not reset, and/or the blinking continues, replace GFCI |

| | |
|-----------------|--------------|
| Project Name: | Prepared By: |
| Project Number: | Date: |
| Catalog Number: | Type: |

Table 5. Color ordering information

| | | |
|----|---|---|
| LA | V | W |
|----|---|---|

Lt. Almond Ivory White

For ordering devices, include Cat. no. followed by the color code: LA (Light Almond), V (Ivory), W (White)

Product dimensions

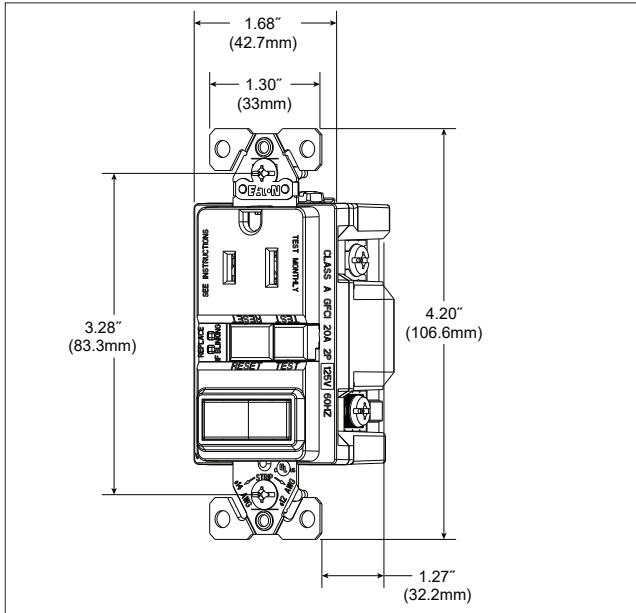


Figure 1. TRSGFS15 dimensions

Certifications & compliances

Catalog no.
TRSGFS15

KEY: cULus NOM Arrowlink Build-To-Spec

Build-To-Spec Customizable Devices

Electrical Sector
203 Cooper Circle
Peachtree City, GA 30269
United States
Eaton.com
Eaton.com/wiringdevices

Electrical Sector
Canada Operations
5925 McLaughlin Road
Mississauga, Ontario, L5R 1B8
Canada
EatonCanada.ca
Eaton.com/wiringdevices

Electrical Sector
Mexico Operations
Carr. Tlalnepantla -
Cuautitlán Km 17.8 s/n
Col. Villa Jardin esq.
Cerrada 8 de Mayo
Cuautitlán, México CP 54800
México
Eaton.mx
Eaton.com/wiringdevices