

455C873
ON NO. 133ND NO. 1ND1

GENERAL ELECTRIC 455C873
CONT. ON SHEET 2 SH. NO. 1

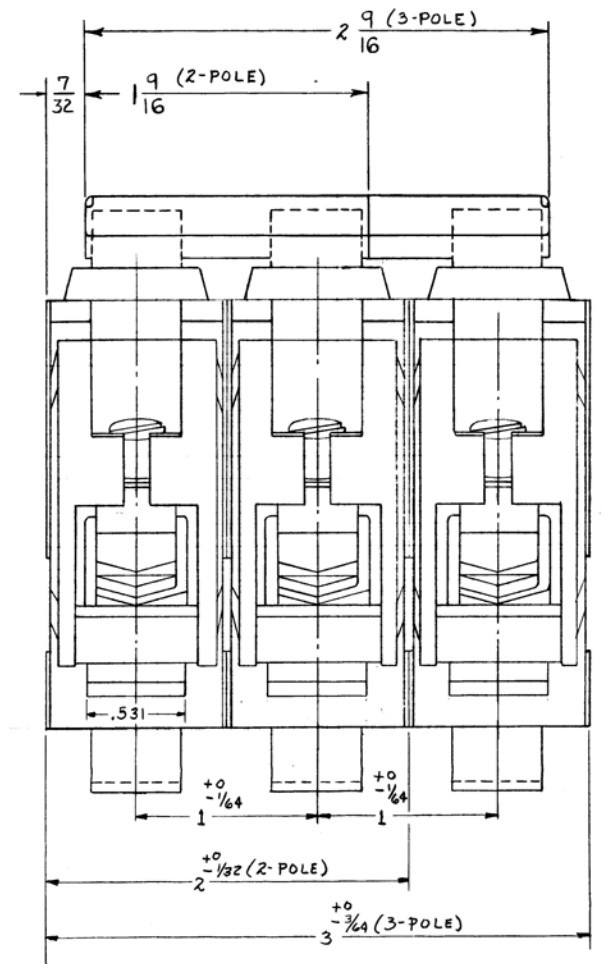
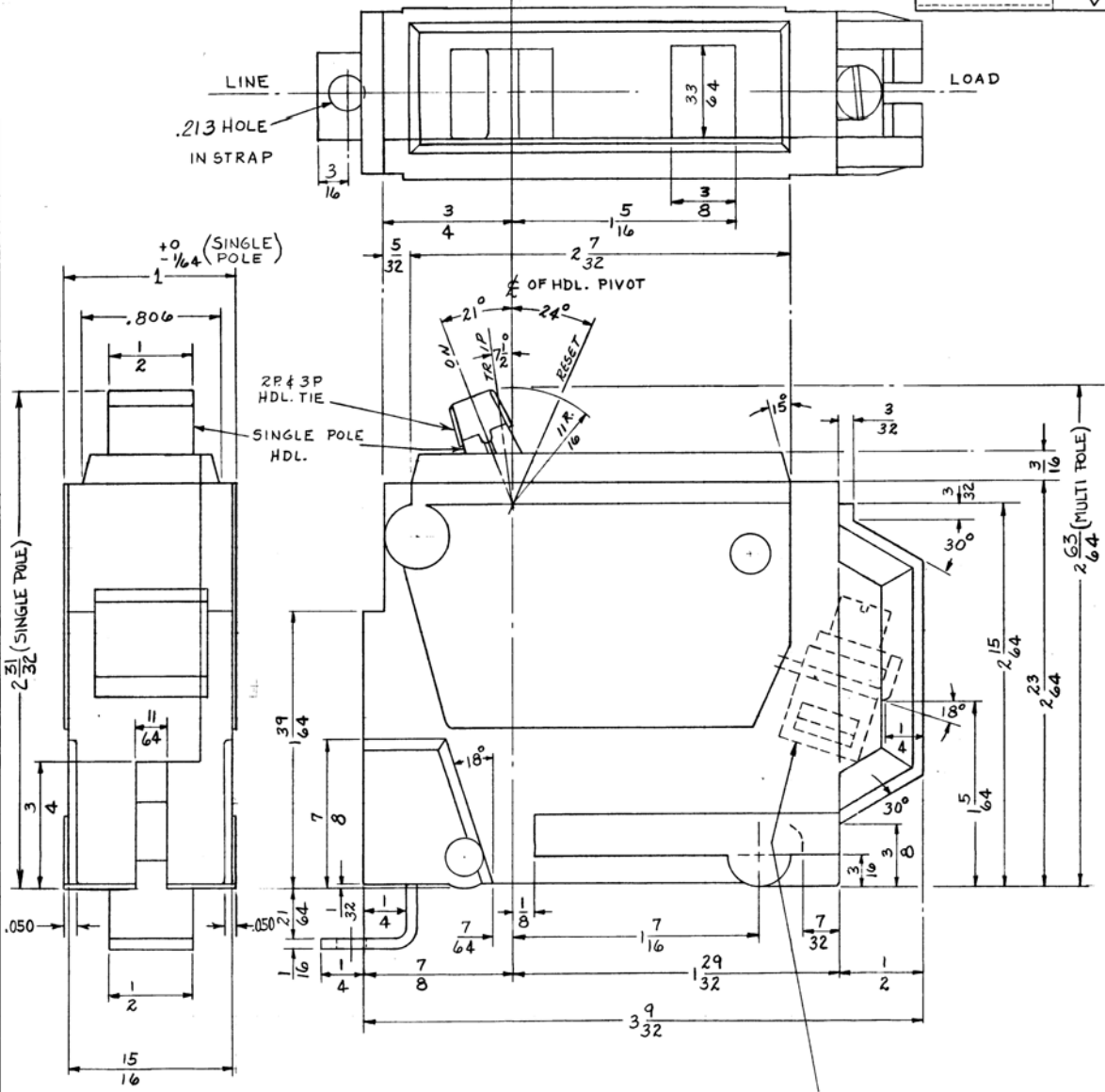
UNLESS OTHERWISE SPECIFIED USE THE FOLLOWING—

APPLIED PRACTICES	TOLERANCES ON MACHINED DIMENSIONS		
	SURFACES	FRACTIONS	DECIMALS
✓	✓	$\pm \frac{1}{64}$	$\pm .005$

ANGLES: \pm

TITLE **OUTLINE**
TQB CIRCUIT BREAKER
 FIRST MADE FOR TQB1115

A
B
C
D
E



LUG WIRE SIZE
 70A. TO 100A. # 6 CU. # 4 AL. TO 1/2 CU-AL.
 15A. TO 60A. # 14 CU. # 12 AL. TO # 3 CU. # 2 AL.

5

REV NO.
 1
 2
 3
 4
 5
 6
 7
 8
 9
 10
 11
 12
 13
 14
 15
 16
 17
 18
 19
 20
 21
 22
 23
 24
 25
 26
 27
 28
 29
 30
 31
 32
 33
 34
 35
 36
 37
 38
 39
 40
 41
 42
 43
 44
 45
 46
 47
 48
 49
 50

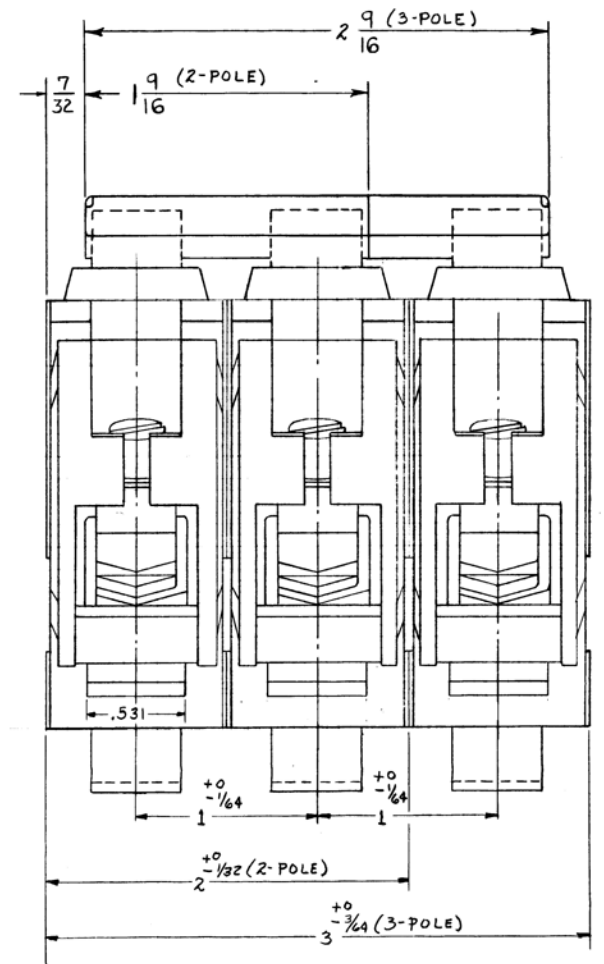
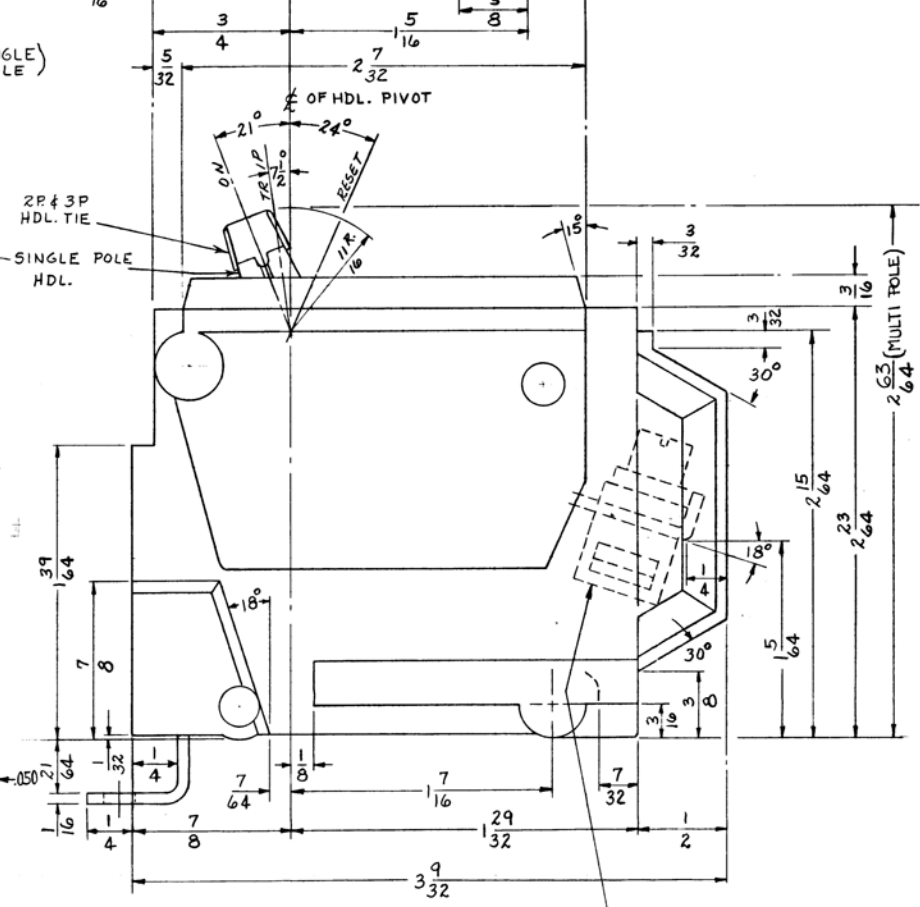
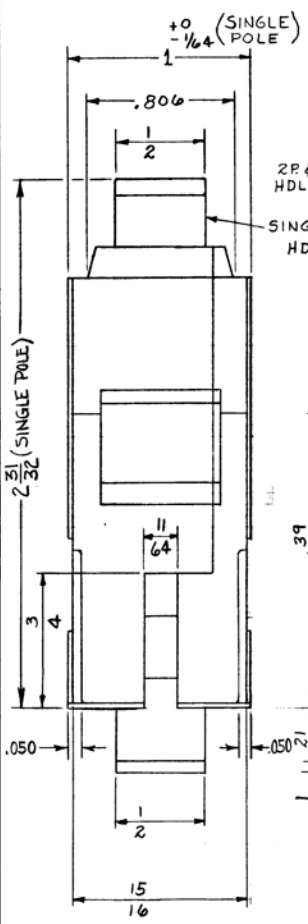
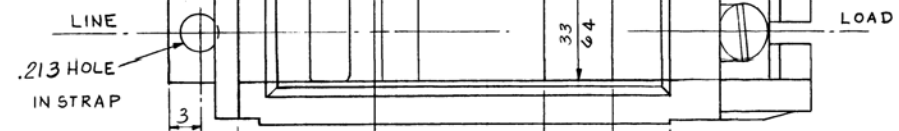
455C873
ON NO. 133ND NO. 1ND1

UNLESS OTHERWISE SPECIFIED USE THE FOLLOWING—

APPLIED PRACTICES	TOLERANCES ON MACHINED DIMENSIONS		
	SURFACES	FRACTIONS	DECIMALS
✓	✓	$\pm \frac{1}{64}$	$\pm .005$

ANGLES: \pm

A
B
C
D
E



LUG WIRE SIZE
 70A. TO 100A. # 6 CU. # 4 AL. TO 1/2 CU-AL.
 15A. TO 60A. # 14 CU. # 12 AL. TO # 3 CU. # 2 AL.

5

REV NO.
 1
 2
 3
 4
 5
 6
 7
 8
 9
 10
 11
 12
 13
 14
 15
 16
 17
 18
 19
 20
 21
 22
 23
 24
 25
 26
 27
 28
 29
 30
 31
 32
 33
 34
 35
 36
 37
 38
 39
 40
 41
 42
 43
 44
 45
 46
 47
 48
 49
 50