

High efficiency LED High Bays. Use anywhere you need exceptional light distribution for mounting heights up to 40 feet.

Limitless options for the following applications:

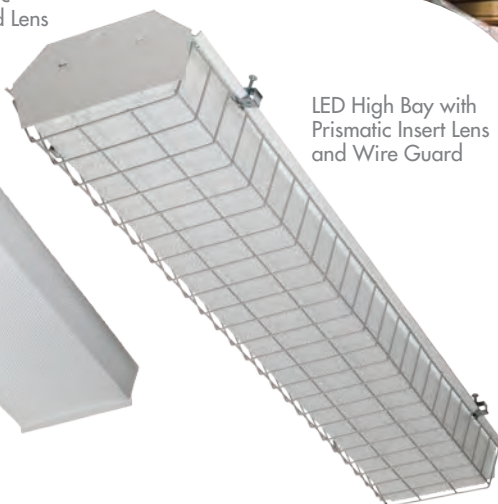
- Warehouses
- Commercial Facilities
- Manufacturing Facilities
- Aisles (Open and Stack)

Great features and benefits:

- Energy-efficient drivers
- Instant on
- Long life: 50,000 hours
- Replaces traditional metal halide and linear fluorescent high bay systems
- Excellent color rendering
- Heavy duty 20 gauge housing is code grade steel



LED High Bay with Prismatic Wraparound Lens



LED High Bay with Prismatic Insert Lens and Wire Guard



LED
we know light.™



LED High Bay

LED 50,000 Hours average rated life, 120-277 Volts

Applications:

Ideal for mounting heights from 20 feet to 40 feet.

- + Warehouses
- + Commercial Facilities
- + Manufacturing Facilities
- + Aisles (Open and Stack)

Features

Up to 56% less energy than HID alternatives

Long life

Very low heat generation

Excellent Color Consistency and CRI

UL approved for damp location

Benefits

Instant energy savings.

Minimizes replacement and maintenance costs.

Less energy wasted as heat.

Enhances colors of focal point while maintaining uniformity throughout lighting installation.

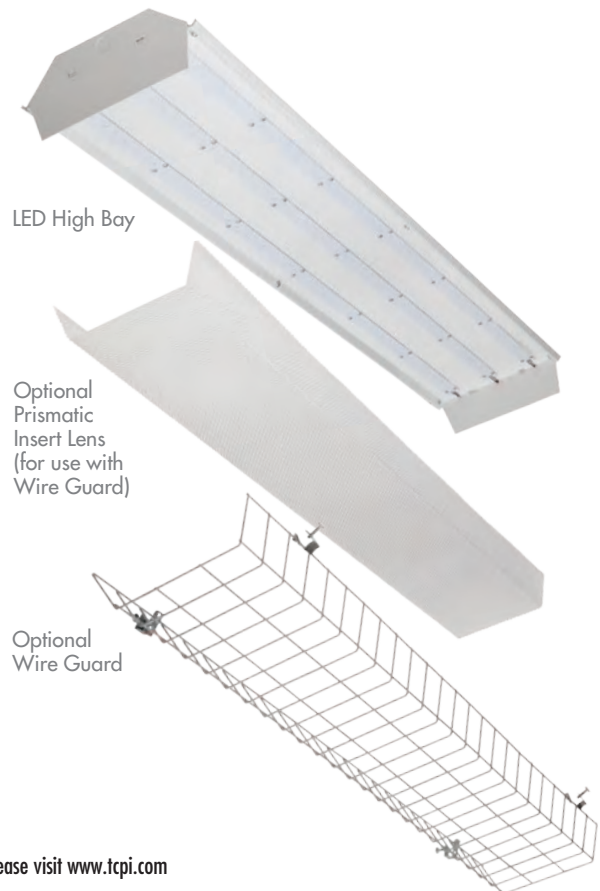
Can be used outdoors when protected from elements. Withstands humidity indoors/outdoors.

Replacement Comparison

TYPE	WATTS	ENERGY SAVINGS (%)
TCP LED High Bay	130W	
250W Metal Halide	295W	56%
6 Lamp T8 HBF	220W	41%
4 Lamp T5HO	249W	48%

Specifications

Input Line Voltage:	120 - 277 VAC
Input Power	129.5W
Input Line Frequency	50/60HZ
Lamp Life (Rated)	50,000 hrs
Minimum Starting Temp	-30°C
Maximum Operating Temp	50°C
CRI	82



5 YEAR WARRANTY

For the most up-to-date specs and warranty information, please visit www.tcpi.com

TCP®

325 Campus Dr. | Aurora, Ohio 44202 | P: 800-324-1496 | tcpi.com

©TCP JUL 2014/52973



LED High Bay

Catalog Number

Notes

Type



LED High Bay with Wire Guard

LED High Bay

Installation

Suspension by chain, cable, hook or monopoint with appropriate accessories.

Warranty

Five year warranty against defects in manufacturing.

Listing

UL/cUL Listed - Suitable for damp locations.

Application

The LED High Bay's superior lumen package is ideal for replacing traditional metal halide and linear fluorescent high bay systems. Benefits include high efficiency, excellent color rendering, long life, instant on, and improved uniformity. Suggested mounting heights from 20'–40' with primary applications including warehousing, commercial facilities, manufacturing facilities, open and stack aisle applications.

Description

The full body assembly features TCP high efficiency drivers and high output LEDs. The LED High Bay's heavy duty 20 gauge housing and 8 gauge wireguard is code gauge steel and all components, excluding the wireguard, are post painted with a glossy, high reflectance white paint.

Electrical

All drivers are class 2 rated and UL/cUL listed. Our drivers are tightly secured by mounting bolts.

Finish

The baked white enamel finish is electrostatically applied and post painted with a glossy, highly reflective and durable white paint.

Catalog Ordering Matrix

Brand	Family	Voltage and Controls	Lumen Package	Color Temperature	Options
TCP	HB4 - 4' LED High Bay	UNI - 120V-277V	12 - 12,000 Lumens	41K - 4100K 50K - 5000K	(See Below)

OPTIONS (Add to catalog number in order shown)

1 Power Cords

- 6C - 6' PCord 300V 16/3 SJT00W NO PLUG
- 6C4 - 6' PCord 300V 18/4 SJTOW NO PLUG
- 6W - 6' WHIP PCord 600V 16/3 NO PLUG
- 2P - 8' PCord 125V 15A 16/3 SJT00W NEMA 5-15P
- 3P - 8' PCord 125V 15A 16/3 SJTOW NEMA L5-15P
- 8T - 8' PCord 480V 20A 16/3 SEOW NEMA L8-20P
- 9T - 8' PCord 250V 20A 16/3 SJTOW NEMA L6-20P
- 4T - 10' PCord 125V 20A 16/3 SJTOW NEMA L5-20P
- 10T - 10' PCord 277V 15A 14/3 SJTOW NEMA L7-15P
- 10T2 - 10' PCord 277V 20A 14/3 SJTOW NEMA L7-20P
- 10C - 10' PCord 277V SJT00W NO PLUG
- 10C6 - 10' PCord 600V 15A 16/3 STOW NO PLUG
- 20C - 20' PCord 277V 20A 16/3 SJT00W NO PLUG
- 20C4 - 20' PCord 300V 18/4 SJTOW NO PLUG

2 Occupancy Sensors

- TS1 - TCP Occupancy Sensor w/bracket and interchangeable lenses, 40' or less, 120V, 277V, or 347V.
- TS1C - TCP Cold Storage Occupancy Sensor w/bracket and interchangeable lenses, 40' or less, 120V, 277V, or 347V.
- TS4 - TCP Occupancy Sensor w/bracket and interchangeable lenses, 40' or less, 480V.
- TS4C - TCP Cold Storage Occupancy Sensor w/bracket and interchangeable lenses, 40' or less, 480V.

3 Wire Guard / Lens

- WG - Wire Guard
- PIL - Prismatic Insert Lens, to be used with Wire Guard
- PWL - Prismatic Wrap Lens, not to be used with Wire Guard

4 Special Mounting

- HCB - Hub Connector Box - 3/4" Threaded Hub Mount

5 Special Packaging

- SP - Single Packed

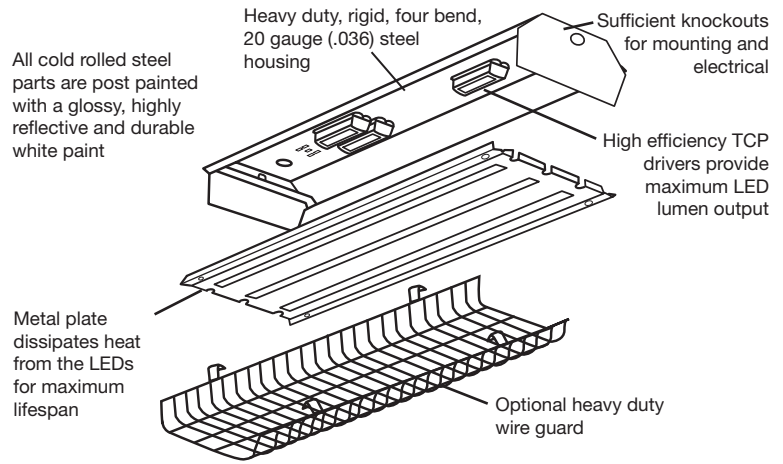
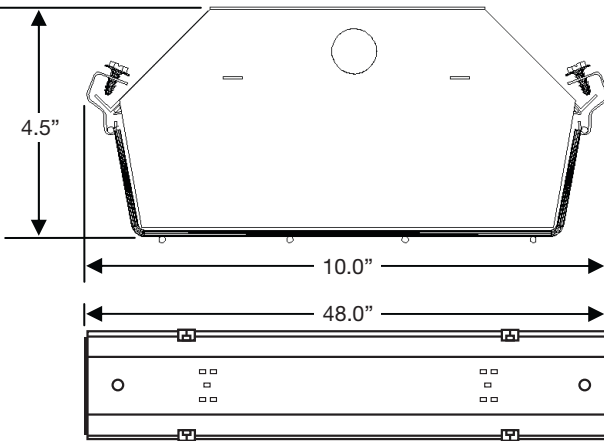
AVAILABLE HANGING KITS (ordered separately)

- EZHANGER - 15' adjustable aircraft cable hanging kit



LED High Bay

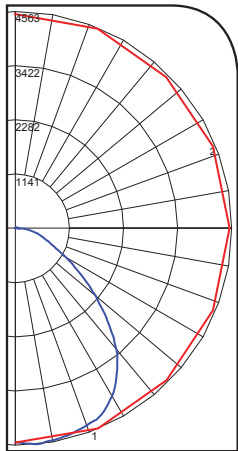
Dimensions & Construction



Photometric Report

TCP LED High Bay with Prismatic Wraparound Lens

LED High Bay Luminaire with lumen rating of 12000 lumens and three high efficiency drivers operating at 120-277 VAC and 129.6 watts.



Photometric Report

Efficiency (total) N.A.
Spacing Criterion (0-180) 1.16
Spacing Criterion (90-270) 1.34

Maximum Candela = 4563.15
Located At Horizontal Angle = 292.5,
Vertical Angle = 7
1 - Vertical Plane Through
Horizontal Angles (292.5 - 112.5)
(Through Max. Cd.)
2 - Horizontal Cone Through
Vertical Angle (7) (Through Max. Cd.)

Average Luminance (Candelas / Square Meter)

Angle In Degrees	Average 0-Deg	Average 45-Deg	Average 90-Deg
45	10168	9832	11289
55	8882	8639	8686
65	8493	7322	5896
75	8564	8173	5416
85	4690	5933	5973

Zonal Lumen Summary

Zone	Lumens	% Lamp	% Fixture
0-30	3488.83	N.A.	29.40
0-40	5640.92	N.A.	47.50
0-60	9302.33	N.A.	78.40
0-90	11385.23	N.A.	96.00
90-120	365.12	N.A.	3.10
90-130	419.07	N.A.	3.50
90-150	468.40	N.A.	3.90
90-180	479.22	N.A.	4.00
0-180	11864.45	N.A.	100.00

Total Luminaire Efficiency = N.A.%

Coefficient of Utilization Table

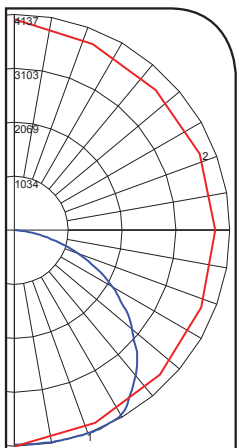
Effective Floor Cavity Reflectance = 20%

RC RW	80				70				50				30				10					
	70	80	30	10	70	50	30	10	50	30	10	50	30	10	50	10	30	10	0	0	0	0
0	118	118	118	118	115	115	115	115	109	109	109	103	103	103	98	98	98	96				
1	108	104	99	96	105	101	97	94	96	93	90	91	89	87	87	85	83	81				
2	99	91	84	79	96	89	83	78	85	80	75	81	77	73	77	74	71	68				
3	90	80	73	66	88	78	71	65	75	69	64	72	67	62	69	64	61	58				
4	83	72	63	57	81	70	62	56	67	60	55	64	58	54	62	57	53	50				
5	77	64	56	49	74	63	55	49	60	53	48	58	52	47	56	50	46	44				
6	71	58	49	43	69	57	49	43	55	48	42	53	46	42	51	45	41	39				
7	66	53	44	38	64	52	44	38	50	43	38	48	42	37	47	41	36	34				
8	61	48	40	34	60	47	40	34	46	39	34	44	38	33	43	37	33	31				
9	57	44	36	31	56	44	36	31	42	35	30	41	35	30	40	34	30	28				
10	54	41	33	28	52	40	33	28	39	32	28	38	32	27	37	31	27	25				

Photometric Report

TCP LED High Bay

LED High Bay Luminaire with lumen rating of 12000 lumens and three high efficiency drivers operating at 120-277 VAC and 129.5 watts.



Photometric Report

Efficiency (total) N.A.
Spacing Criterion (0-180) 1.30
Spacing Criterion (90-270) 1.40

Maximum Candela = 4137.26
Located At Horizontal Angle = 270,
Vertical Angle = 21
1 - Vertical Plane Through
Horizontal Angles (270 - 90)
(Through Max. Cd.)
2 - Horizontal Cone Through
Vertical Angle (21) (Through Max. Cd.)

Average Luminance (Candelas / Square Meter)

Angle In Degrees	Average 0-Deg	Average 45-Deg	Average 90-Deg
45	10958	11547	12656
55	10780	11473	12208
65	10204	11062	11268
75	8743	9601	8934
85	75	603	3527

Zonal Lumen Summary

Zone	Lumens	% Lamp	% Fixture
0-30	3301.98	N.A.	25.80
0-40	5524.45	N.A.	43.20
0-60	10110.37	N.A.	79.10
0-90	12739.09	N.A.	99.70
90-120	19.84	N.A.	0.20
90-130	24.07	N.A.	0.20
90-150	31.46	N.A.	0.20
90-180	35.88	N.A.	0.30
0-180	12774.97	N.A.	100.00

Total Luminaire Efficiency = N.A.%

Coefficient of Utilization Table

Effective Floor Cavity Reflectance = 20%

RC RW	80				70				50				30				10					
	70	80	30	10	70	50	30	10	50	30	10	50	30	10	50	10	30	10	0	0	0	0
0	119	119	119	119	116	116	116	116	111	111	111	106	106	106	102	102	102	100				
1	109	104	100	96	106	102	98	95	98	95	92	94	91	89	90	88	86	84				
2	99	91	84	78	96	89	83	77	85	80	75	82	77	74	79	75	72	70				
3	90	79	71	65	87	78	70	64	75	68	63	72	66	62	69	65	61	58				
4	82	70	61	54	80	69	60	54	66	59	53	64	58	52	62	56	52	50				
5	75	62	53	47	73	61	53	46	59	52	46	57	50	45	55	49	45	43				
6	69	56	47	40	68	55	46	40	53	46	40	51	45	39	50	44	39	37				
7	64	51	42	36	63	50	41	35	48	41	35	47	40	35	45	39	35	33				
8	60	46	37	32	58	45	37	31	44	37	31	43	36	31	42	35	31	29				
9	56	42	34	28	54	42	34	28	40	33	28	39	33	28	38	32	28	26				
10	52	39	31	26	51	38	31	25	37	30	25	36	30	25	35	29	25	23				