

### T7000B Series

The T7000B Series Mechanical Time Switches are designed for industrial, commercial and residential applications with 7-Day ON/OFF programming and 4PST and 4 pole (2NO/2NC) switching.

#### Features

- True 7-Day load control with minimum ON/OFF time of 3 ½ hours
- Separate clock motor terminals for switching loads not on-line voltage
- Carryover automatically rewinds when power resumes
- One hour of rewinding time for every two hours of power outage

#### Ratings

Enclosure Type:	See table
Knockouts:	Combination ½" - ¾" nominal knockouts, two on back and one on side, and two on bottom. One inch knockout on bottom
Switch Type:	See table
<b>Switch Ratings:</b>	Each Pole: 40 Amp Resistive, 120-480 VAC 40 Amp Tungsten, Inductive or 1000 VA Pilot Duty, 120-277 VAC, 2 HP, 120 VAC 5 HP, 240 VAC Single Phase 7 ½ HP, 208 VAC, 10 HP, 240 VAC Three Phase
Power Input:	3 Watts Maximum; Models with Carryover - 5 Watts Maximum
Carryover:	Minimum time-mechanical operation: 16 hours. Carryover accuracy: ±2%
Operating Temperature:	-40°F to 130°F (-40°C to 54°C)
Shipping Weight:	Type 1 - 8 lbs. (3.6 kg) Type 3R and Models with carryover- 10 lbs. (4.5 kg)
Warranty:	Limited 1 year

#### Specification

Project: \_\_\_\_\_

Location: \_\_\_\_\_

Product Type: \_\_\_\_\_

Contact/Phone: \_\_\_\_\_

Model #: \_\_\_\_\_



Model with Type 1 Steel Enclosure	Model with Type 1 Steel Enclosure with Carryover	Model with Type 3R Steel Enclosure	Switch	Clock Motor Volts 60 Hz
T7401B	T7401BC	T7401BR	4PST	125
T7402B	T7402BC	-	4PST	208-277
T7801B	T7801BC	-	2NO/2NC	125
T7802B	-	-	2NO/2NC	208-277

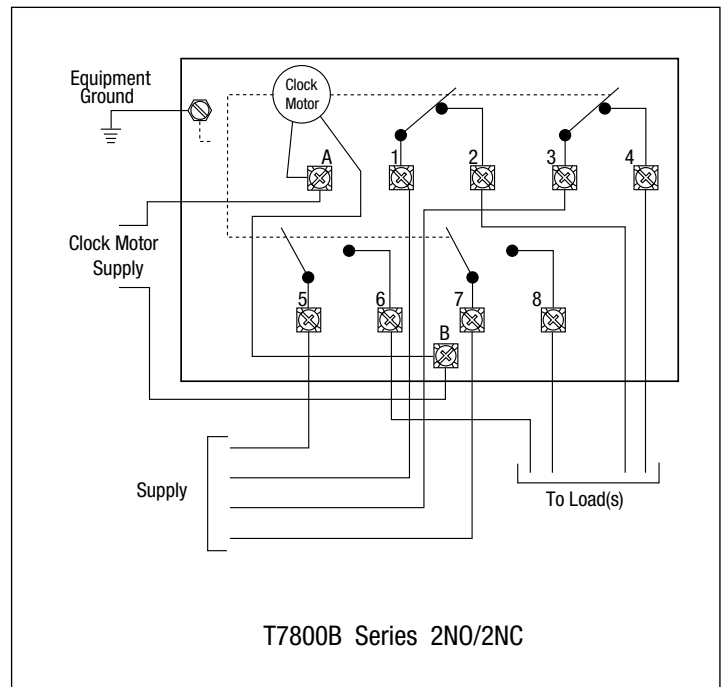
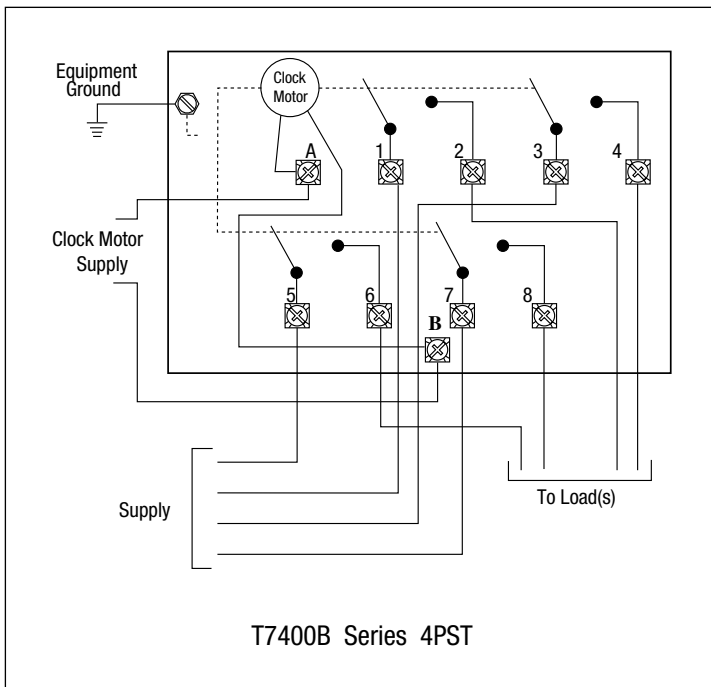
The time switch shall be of the 7-Day dial type, capable of permitting three different ON/OFF programs for each day of the week for a maximum of 21 ON/OFF operations a week. The time switch shall provide for minimum ON/OFF times of 3 ½ hours. Time switch shall be powered by \_\_\_\_\_ (125)(208-277) VAC 60 Hz power supply. The time switch motor shall be synchronous, which shall be designed to withstand a minimum of 6000 volt transients. The time switch motor shall be connected to the supply terminals with ring-type connectors and shall not require more than \_\_\_\_\_ (3)(5) watts to operate the time switch. The time switch mechanism shall be in a snap-in design to provide ease of mechanism removal from the enclosure. The time switch enclosure shall be a \_\_\_\_\_ (Type-1)(Type-3R) lockable steel enclosure, which, shall be painted with an electrostatic process to eliminate the potential for corrosion. The time switch enclosure shall provide a minimum of 45 cubic inches of wiring space and shall provide a non-removable cover, which shall swing open a full 180 degrees. The time switch shall provide clear terminal identification on a non-curling terminal insulator. The time switch contact blades shall be a one piece design with welded silver alloy contacts and shall be designed to provide wiping action on contacts during operation to ensure reliable load switching. Terminal connections shall be made using teeter-type terminal screws to provide secure connections for wire sizes up to 8 AWG. The time switch with suffix "C" shall include a spring wound carryover and shall maintain time control on schedule during power failure for up to 16 hours. The time switch carryover shall automatically rewind upon power resumption.

Switch configuration shall be \_\_\_\_\_ (4PST)(2NO/2NC) with an agency listed switch rating each pole:

- 40 Amp Resistive, 120-480 VAC
- 40 Amp Tungsten, Inductive, 120/208/240/277 VAC
- 1000 VA Pilot Duty, 120-277 VAC
- 2 HP (24 FLA, 144 LRA) 120 VAC
- 5 HP (28 FLA, 168 LRA) 240 VAC Single Phase
- 7 ½ HP (28 FLA, 168 LRA) 208 VAC
- 10 HP, (28 FLA, 168 LRA) 240 VAC, Three Phase

Time switch shall be agency listed under Clock Operated Switches and shall be Intermatic Model \_\_\_\_\_ (See Model Numbers Listed).

## Diagrams



Project: \_\_\_\_\_

Location: \_\_\_\_\_

Product Type: \_\_\_\_\_

Contact/Phone: \_\_\_\_\_

Model #: \_\_\_\_\_

### T7000B Series

The T7000B Series Mechanical Time Switches are designed for industrial, commercial and residential applications with 7-Day ON/OFF programming and 4PST and 4 pole (2NO/2NC) switching.

#### Features

- True 7-Day load control with minimum ON/OFF time of 3 ½ hours
- Separate clock motor terminals for switching loads not on-line voltage
- Carryover automatically rewinds when power resumes
- One hour of rewinding time for every two hours of power outage

#### Ratings

Enclosure Type:	See table
Knockouts:	Combination ½" - ¾" nominal knockouts, two on back and one on side, and two on bottom. One inch knockout on bottom
Switch Type:	See table
<b>Switch Ratings:</b>	Each Pole: 40 Amp Resistive, 120-480 VAC 40 Amp Tungsten, Inductive or 1000 VA Pilot Duty, 120-277 VAC, 2 HP, 120 VAC 5 HP, 240 VAC Single Phase 7 ½ HP, 208 VAC, 10 HP, 240 VAC Three Phase
Power Input:	3 Watts Maximum; Models with Carryover - 5 Watts Maximum
Carryover:	Minimum time-mechanical operation: 16 hours. Carryover accuracy: ±2%
Operating Temperature:	-40°F to 130°F (-40°C to 54°C)
Shipping Weight:	Type 1 - 8 lbs. (3.6 kg) Type 3R and Models with carryover- 10 lbs. (4.5 kg)
Warranty:	Limited 1 year



#### Specification

Model with Type 1 Steel Enclosure	Model with Type 1 Steel Enclosure with Carryover	Model with Type 3R Steel Enclosure	Switch	Clock Motor Volts 60 Hz
T7401B	T7401BC	T7401BR	4PST	125
T7402B	T7402BC	-	4PST	208-277
T7801B	T7801BC	-	2NO/2NC	125
T7802B	-	-	2NO/2NC	208-277

# T7000B Series



The time switch shall be of the 7-Day dial type, capable of permitting three different ON/OFF programs for each day of the week for a maximum of 21 ON/OFF operations a week. The time switch shall provide for minimum ON/OFF times of 3 ½ hours. Time switch shall be powered by \_\_\_\_\_ (125)(208-277) VAC 60 Hz power supply. The time switch motor shall be synchronous, which shall be designed to withstand a minimum of 6000 volt transients. The time switch motor shall be connected to the supply terminals with ring-type connectors and shall not require more than \_\_\_\_\_ (3)(5) watts to operate the time switch. The time switch mechanism shall be in a snap-in design to provide ease of mechanism removal from the enclosure. The time switch enclosure shall be a \_\_\_\_\_ (Type-1)(Type-3R) lockable steel enclosure, which, shall be painted with an electrostatic process to eliminate the potential for corrosion. The time switch enclosure shall provide a minimum of 45 cubic inches of wiring space and shall provide a non-removable cover, which shall swing open a full 180 degrees. The time switch shall provide clear terminal identification on a non-curling terminal insulator. The time switch contact blades shall be a one piece design with welded silver alloy contacts and shall be designed to provide wiping action on contacts during operation to ensure reliable load switching. Terminal connections shall be made using teeter-type terminal screws to provide secure connections for wire sizes up to 8 AWG. The time switch with suffix "C" shall include a spring wound carryover and shall maintain time control on schedule during power failure for up to 16 hours. The time switch carryover shall automatically rewind upon power resumption.

Switch configuration shall be \_\_\_\_\_ (4PST)(2NO/2NC) with an agency listed switch rating each pole:

- 40 Amp Resistive, 120-480 VAC
- 40 Amp Tungsten, Inductive, 120/208/240/277 VAC
- 1000 VA Pilot Duty, 120-277 VAC
- 2 HP (24 FLA, 144 LRA) 120 VAC
- 5 HP (28 FLA, 168 LRA) 240 VAC Single Phase
- 7 ½ HP (28 FLA, 168 LRA) 208 VAC
- 10 HP, (28 FLA, 168 LRA) 240 VAC, Three Phase

Time switch shall be agency listed under Clock Operated Switches and shall be Intermatic Model \_\_\_\_\_ (See Model Numbers Listed).

## Diagrams

