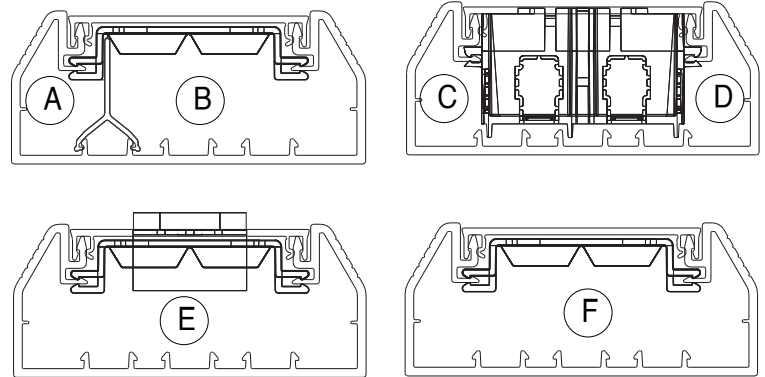


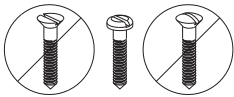
Raceway Type	See Fig.	**Electrical Cables		
		14 AWG	12 AWG	10 AWG
		0.105	0.122	0.153
T70 with Divider Wall and Wire Retainer	A	14	11	7
	B	*	*	*
T70 with Hanging Box	C	14	11	7
	D	*	*	*
T70 with Device Bracket and Device	E	24	20	15
T70 with Wire Retainers	F	24	20	15



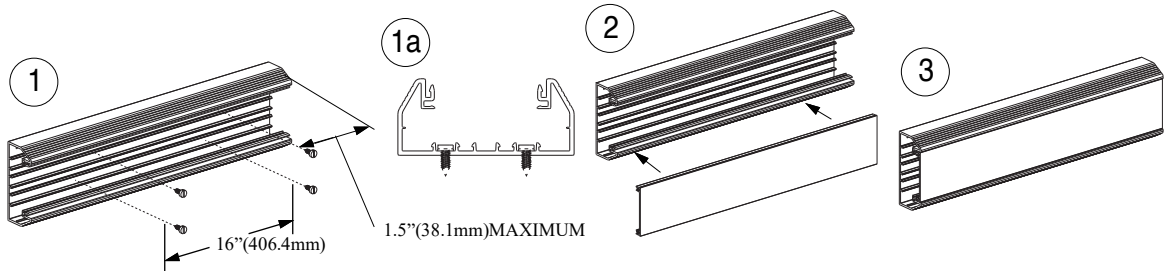
* COMMUNICATION CONDUCTORS ONLY.

** WIRES NOT BUNDLED

BASE & COVER

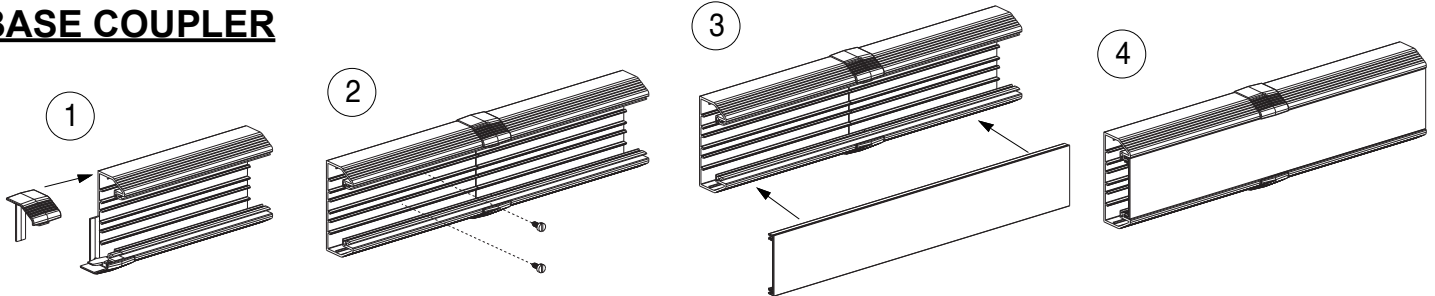


The mounting hardware used to secure the raceway shall be appropriate for the mounting surface.

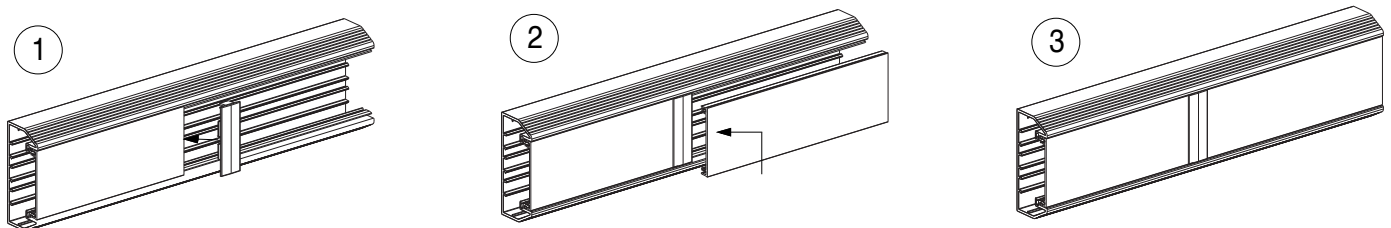


FITTINGS

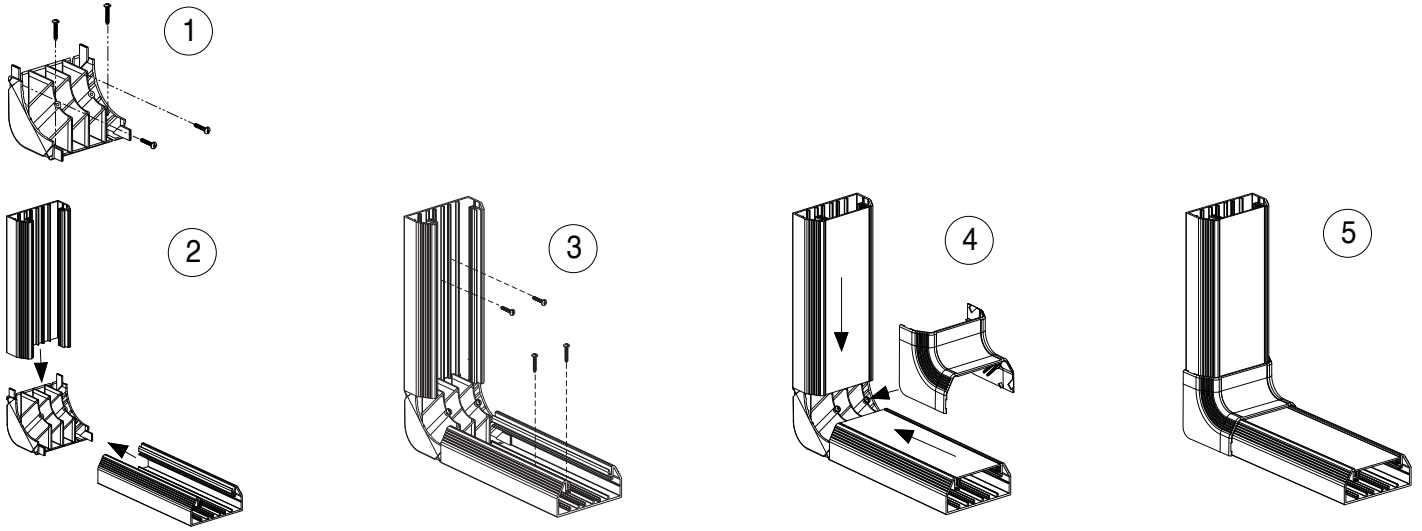
BASE COUPLER



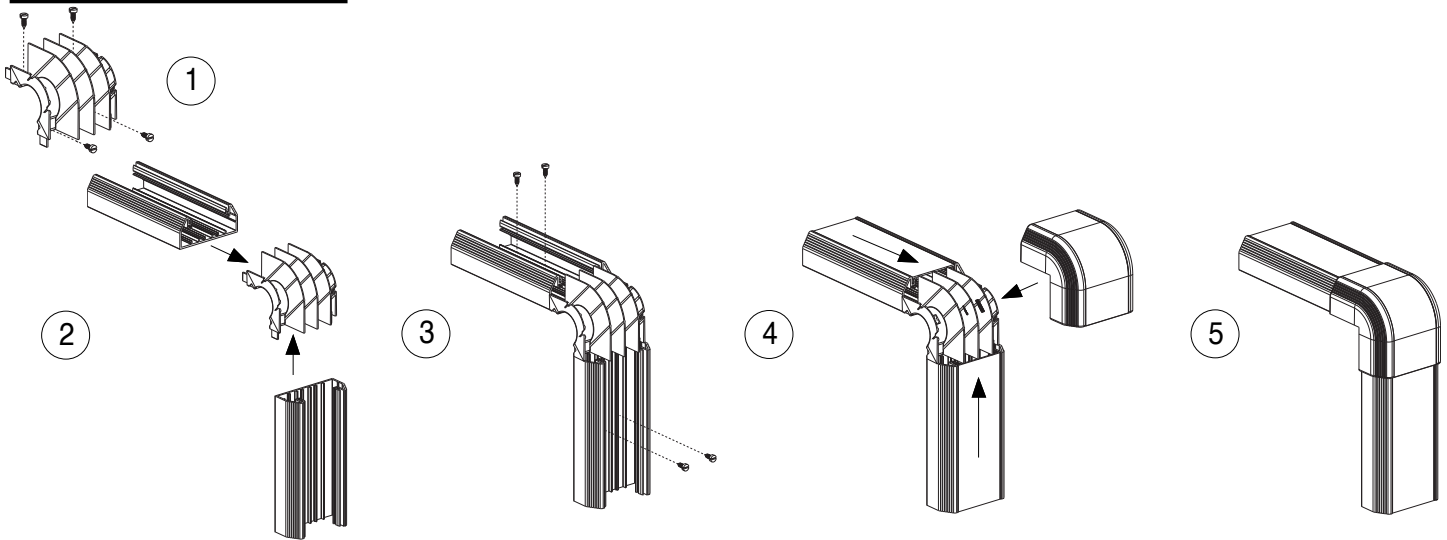
COVER COUPLER



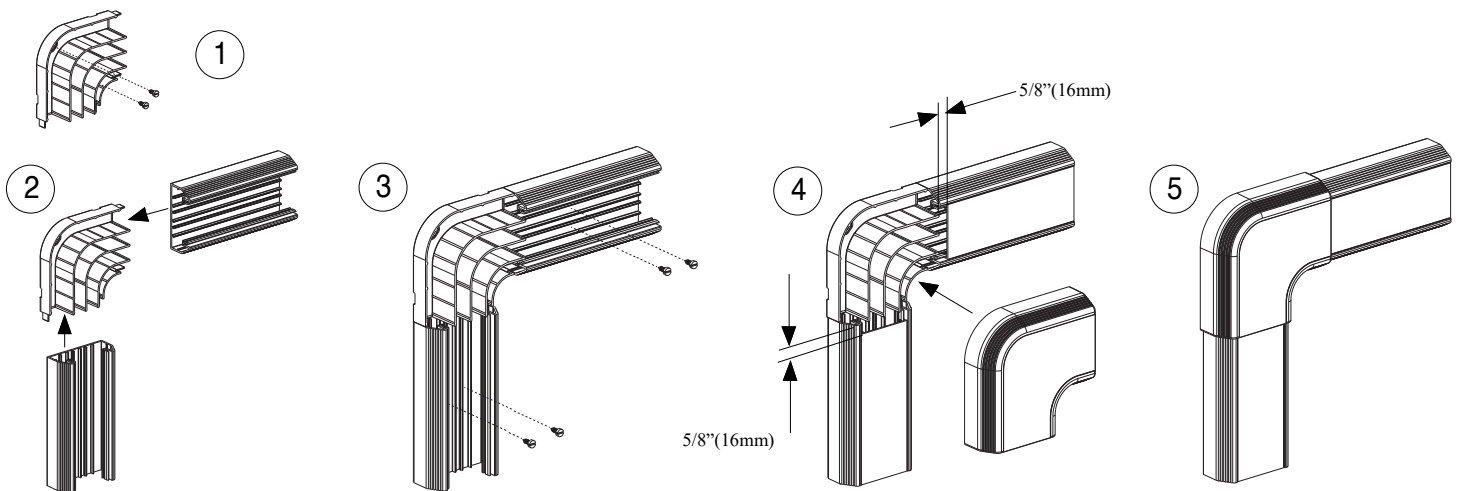
INSIDE CORNER



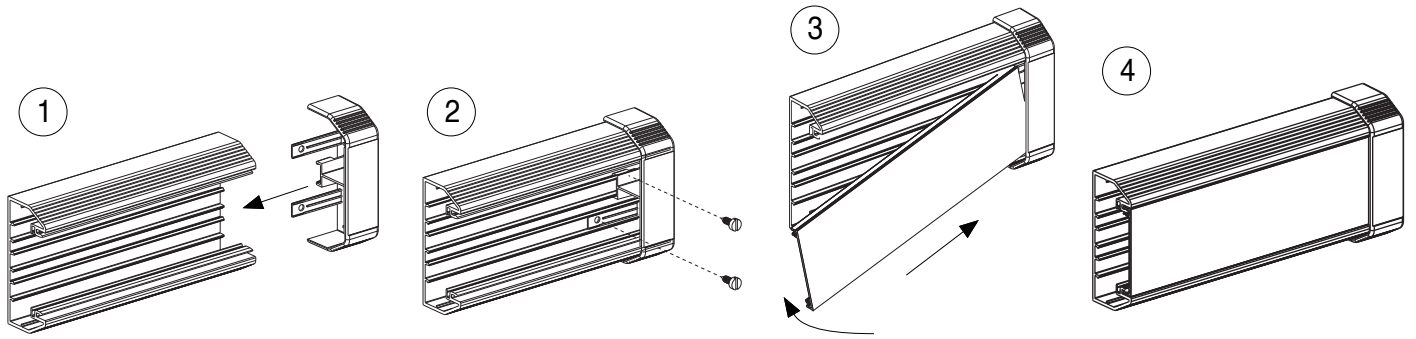
OUTSIDE CORNER



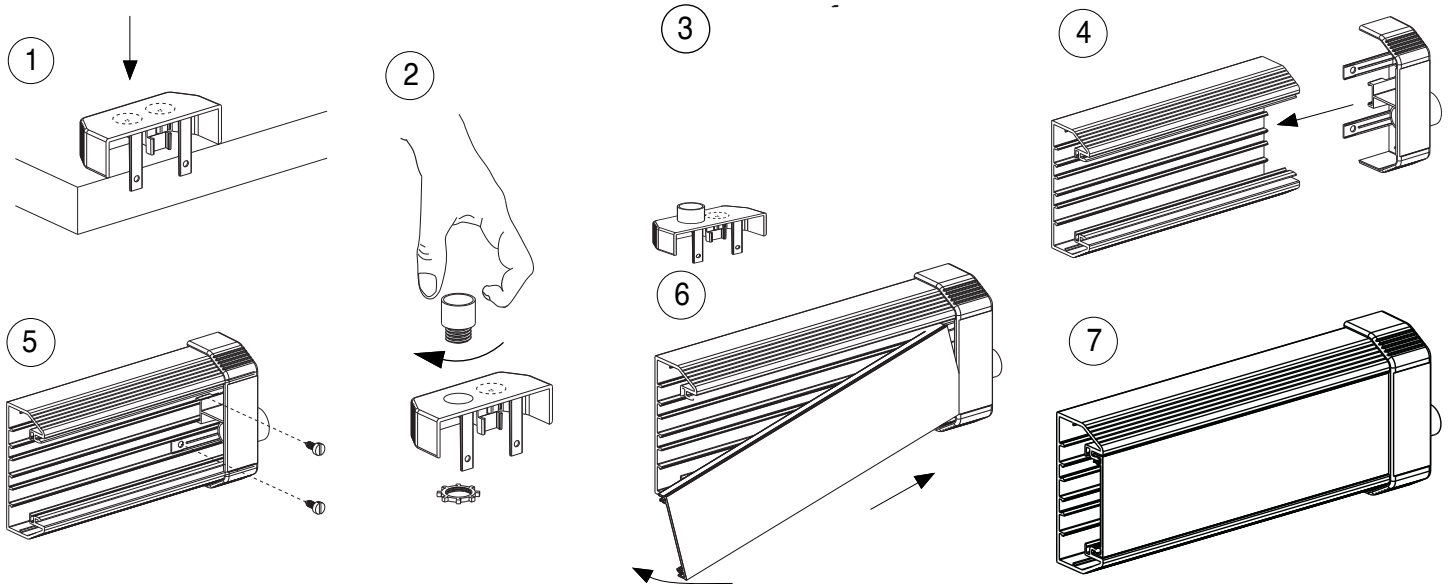
RIGHT ANGLE



END CAP



END CAP WITH CONDUIT CONNECTOR

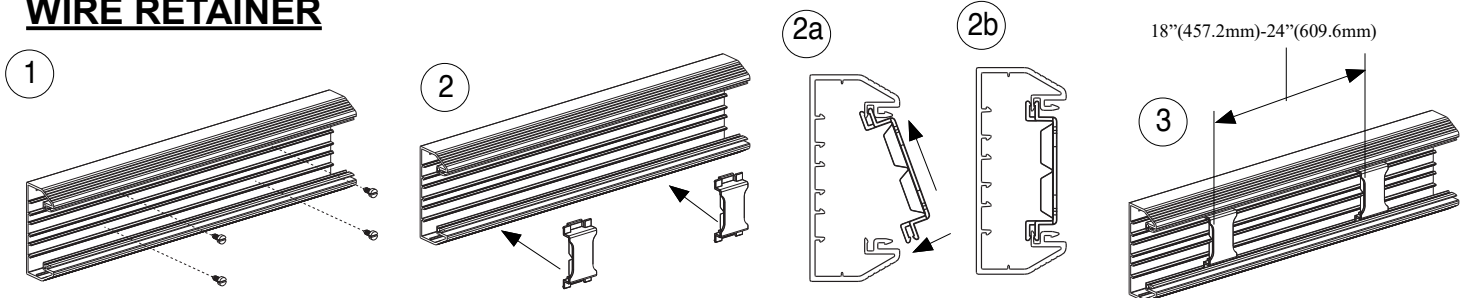


ACCESSORIES

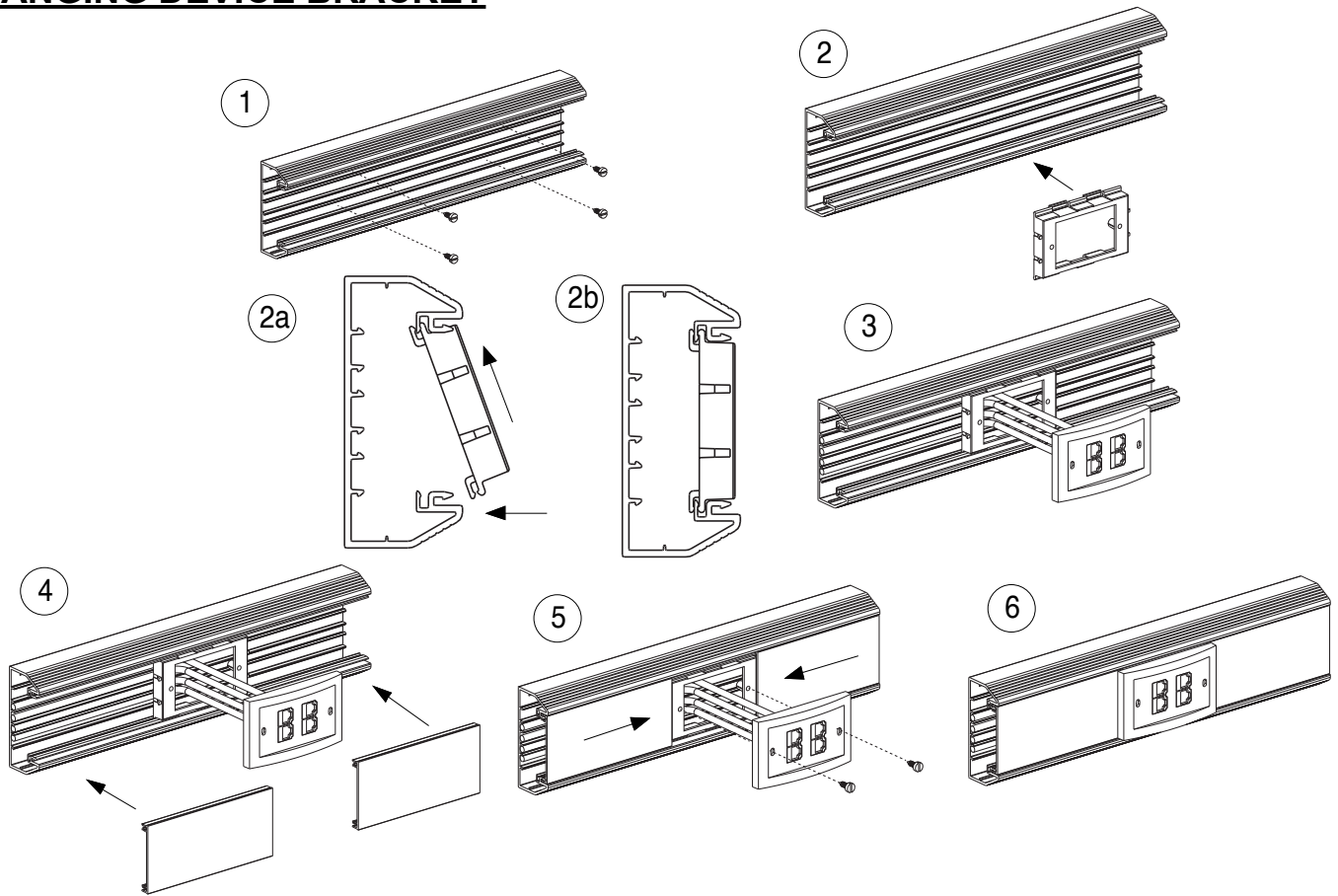
DIVIDER WALL



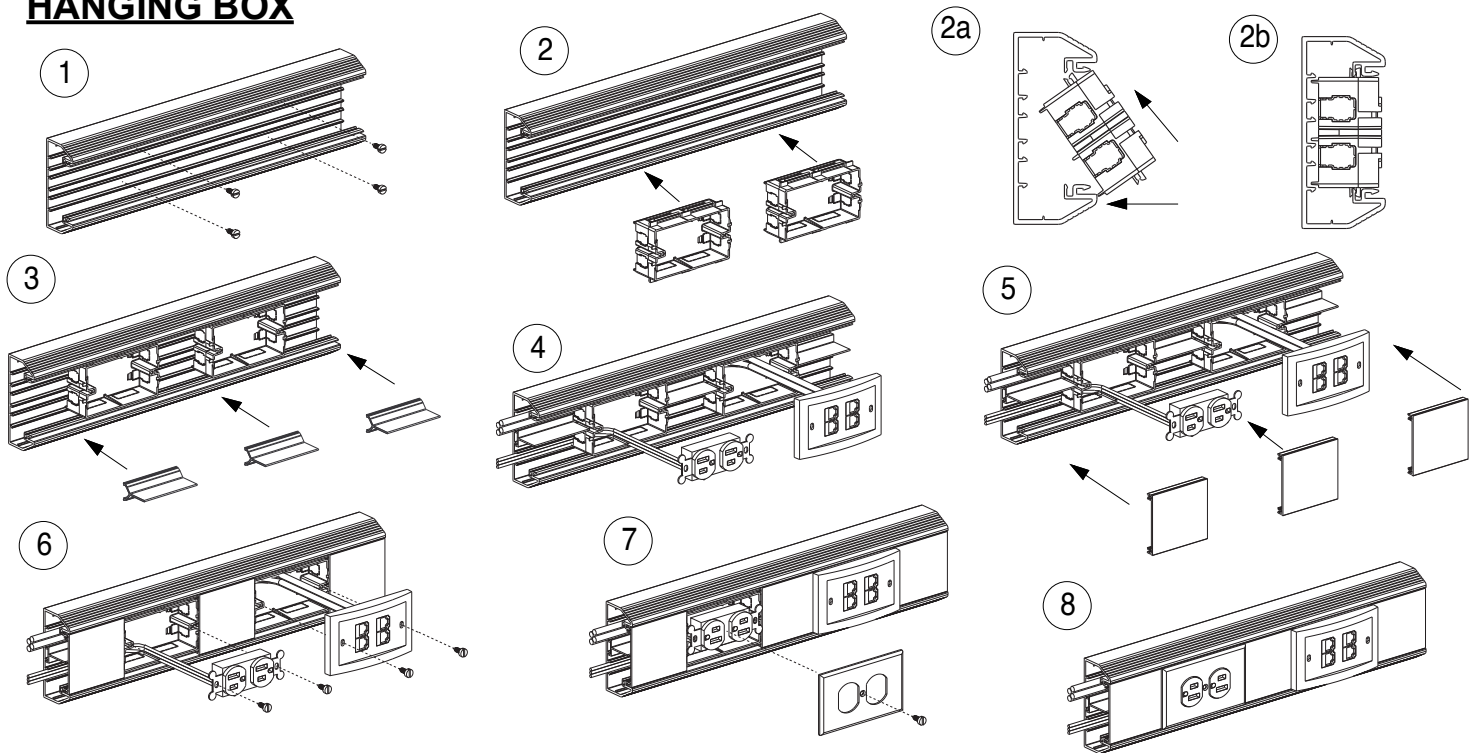
WIRE RETAINER



HANGING DEVICE BRACKET



HANGING BOX



For Instructions in Local Languages
and Technical Support:
www.panduit.com

PANDUIT
www.panduit.com

E-mail:
techsupport@panduit.com
Fax:
866-405-6654