

## F7 F8 M9 Conduit Bodies

Catalog Number: PRHT28  
UPC: 784011204106

### Description

#### 3/4 Inch Form 8 T Conduit Body

PVC coated Form 8 conduit bodies with covers are offered in numerous configurations to provide a complete coated conduit system. Electrical continuity of the conduit system is maintained across assembled joints.

### Application

- Offered in numerous configurations for 90 degree bends, taps or splices or mounting outlets
- Offered in numerous configurations for 90 degree bends, taps or splices or mounting outlets

### Features

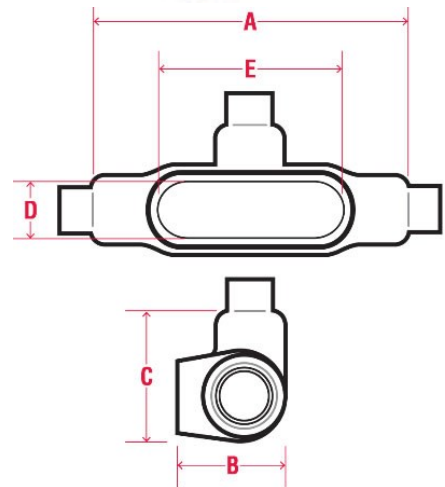
- 40 mil gray PVC exterior coating
- 2 mil red urethane interior coating
- 10 trade sizes from 1/2" through 4"
- Sealing sleeves on all conduit openings
- Plastic encapsulated stainless steel screws with retainers built into covers for trade sizes 1/2" through 2"
- V-Seal gasket on sizes 1/2" through 2"

### General

|                                      |   |
|--------------------------------------|---|
| Material:                            | FERROUS METAL                                 |
| Exterior Finish:                     | A nominal .040 inch (40 mil) gray PVC coating |
| Interior Finish:                     | A nominal .002 inch (2 mil) red urethane      |
| Body Style:                          | T   |
| Screw Type:<br>screws with retainers | Plastic encapsulated stainless steel cover    |
| Cover Seal:                          | V-Seal gasket                                 |

### Dimensions

|                         |      |
|-------------------------|------|
| Dimension A (Inches)    | 6.28 |
| Dimension B (Inches)    | 2.04 |
| Dimension C (Inches)    | 2.35 |
| Dimension D (Inches)    | 1.19 |
| Dimension E (Inches)    | 3.94 |
| Nominal Weight (Pounds) | 2.5  |





## F7 F8 M9 Conduit Bodies

Catalog Number: PRHT28  
UPC: 784011204106

### Technical / Specification Documents

---

|                                   |                      |
|-----------------------------------|----------------------|
| Specification Guide (1995 Master) | AVAILABLE ON WEBSITE |
| Specification Guide (2004 Master) | AVAILABLE ON WEBSITE |
| Installer Certification and Tools | AVAILABLE ON WEBSITE |
| Chemical Resistance Charts        | AVAILABLE ON WEBSITE |
| Performance Specifications        | AVAILABLE ON WEBSITE |

### Standards

---

|                |              |
|----------------|--------------|
| UL 514A, 514D: | E231035      |
| CSA Certified: | C22.2 No.18  |
| CSA Certified: | C22.2 No. 42 |

### Notes

---

All cover screws are stainless steel



## F7 F8 M9 Conduit Bodies

Catalog Number: PRHT28  
UPC: 784011204106

### Description

#### 3/4 Inch Form 8 T Conduit Body

PVC coated Form 8 conduit bodies with covers are offered in numerous configurations to provide a complete coated conduit system. Electrical continuity of the conduit system is maintained across assembled joints.

### Application

- Offered in numerous configurations for 90 degree bends, taps or splices or mounting outlets
- Offered in numerous configurations for 90 degree bends, taps or splices or mounting outlets

### Features

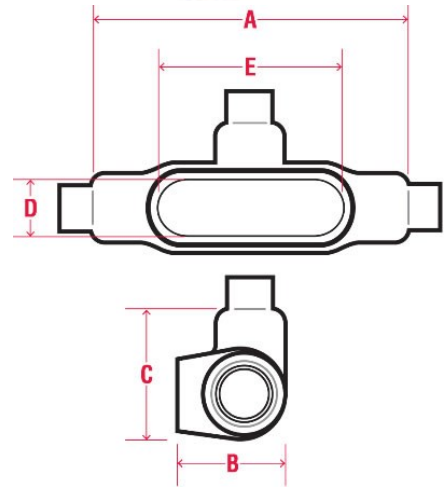
- 40 mil gray PVC exterior coating
- 2 mil red urethane interior coating
- 10 trade sizes from 1/2" through 4"
- Sealing sleeves on all conduit openings
- Plastic encapsulated stainless steel screws with retainers built into covers for trade sizes 1/2" through 2"
- V-Seal gasket on sizes 1/2" through 2"

### General

|                                      |   |
|--------------------------------------|---|
| Material:                            | FERROUS METAL                                 |
| Exterior Finish:                     | A nominal .040 inch (40 mil) gray PVC coating |
| Interior Finish:                     | A nominal .002 inch (2 mil) red urethane      |
| Body Style:                          | T   |
| Screw Type:<br>screws with retainers | Plastic encapsulated stainless steel cover    |
| Cover Seal:                          | V-Seal gasket                                 |

### Dimensions

|                         |      |
|-------------------------|------|
| Dimension A (Inches)    | 6.28 |
| Dimension B (Inches)    | 2.04 |
| Dimension C (Inches)    | 2.35 |
| Dimension D (Inches)    | 1.19 |
| Dimension E (Inches)    | 3.94 |
| Nominal Weight (Pounds) | 2.5  |





## F7 F8 M9 Conduit Bodies

Catalog Number: PRHT28

UPC: 784011204106

### Technical / Specification Documents

---

Specification Guide (1995 Master) *AVAILABLE ON WEBSITE*

---

Specification Guide (2004 Master) *AVAILABLE ON WEBSITE*

---

Installer Certification and Tools *AVAILABLE ON WEBSITE*

---

Chemical Resistance Charts *AVAILABLE ON WEBSITE*

---

Performance Specifications *AVAILABLE ON WEBSITE*

---

### Standards

---

UL 514A, 514D: E231035

---

CSA Certified: C22.2 No.18

---

CSA Certified: C22.2 No. 42

---

### Notes

---

All cover screws are stainless steel

---