



Knockout Hubs

Description:

Plasti-Bond REDH₂OT ST style knockout hubs are used to terminate conduit runs through the wall of a sheet metal electrical enclosure. They are available with or without grounding lug. STTB style hubs are "Through-Bulkhead" fittings used to pass conduit runs through firewalls or bulkheads up to 1/8" thick. STTTB style hubs perform the same function for unlimited wall thicknesses, (furnished without nipples).

Features:

- 40 mil gray PVC exterior coating
- ST available in 12 trade sizes from 1/2" through 6"
- STTB available in 10 trade sizes from 1/2" through 4"
- STTTB available in 6 trade sizes from 1/2" through 2"
- Sealing sleeves on conduit side of hub
- Molded PVC gasket seals flush with enclosure wall
- O-ring gasket provides additional seal

Standards:

Steel Only: ST, STG

- UL 514B (E200413)
- NEC/CEC:
 - Class I, Division 2
 - Class II, Division 1 & 2
 - Class III, Division 1 & 2

NOTE:

- All Screw-tight Hubs are listed for NEMA and UL type enclosures 2, 3, 3R, 4, 4x, 11 and 12
- Grounding and Bonding Hubs are listed for NEMA Enclosures 2, 3, 3R, 4 and 12

Knockout Hubs

Knockout Hubs Technical Data

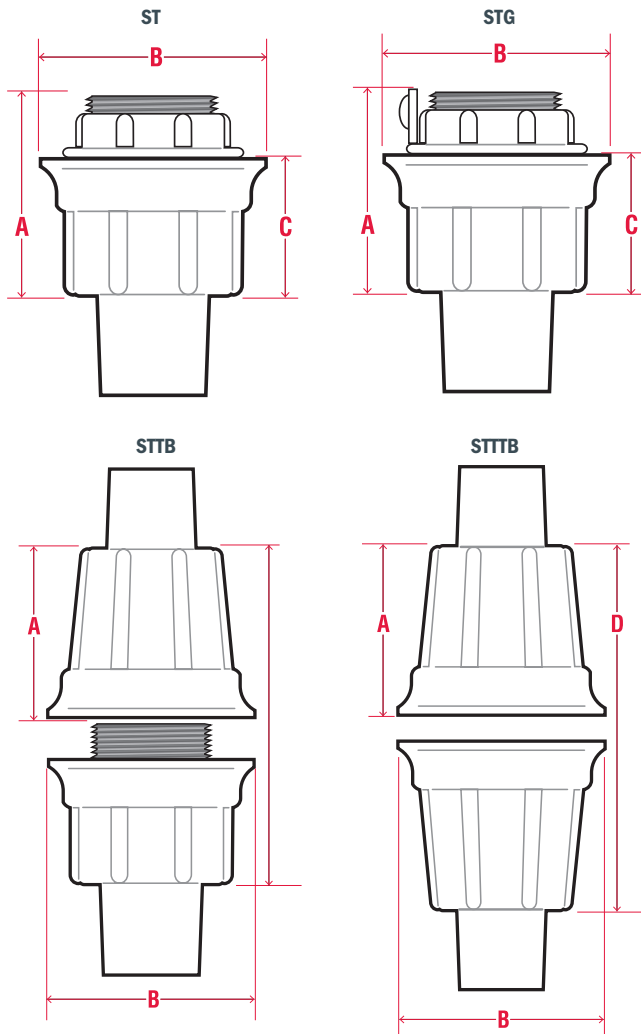
ST

PIPE SIZE	CATALOG #	NOMINAL WEIGHT	A	B	C	MAX WALL THICK	ALUMINUM CATALOG #
1/2"	PRST1	0.2	1.34	2.00	0.81	0.19	PRSTA1
3/4"	PRST2	0.3	1.47	2.25	0.91	0.19	PRSTA2
1"	PRST3	0.4	1.66	2.50	1.03	0.25	PRSTA3
1-1/4"	PRST4	0.4	1.69	3.25	1.03	0.25	PRSTA4
1-1/2"	PRST5	0.6	1.69	3.50	1.03	0.25	PRSTA5
2"	PRST6	1.2	1.75	4.25	1.09	0.25	PRSTA6
2-1/2"	PRST7	1.5	2.22	4.75	1.28	0.25	PRSTA7
3"	PRST8	2.1	2.31	5.25	1.38	0.25	PRSTA8
3-1/2"	PRST9	3.0	2.38	5.50	1.44	0.25	PRSTA9
4"	PRST10	3.5	2.44	6.25	1.50	0.25	PRSTA10
5"	PRST11	5.4	2.94	7.50	2.00	0.25	PRSTA11
6"	PRST12	6.9	3.00	8.50	2.00	0.31	PRSTA12

STG

PIPE SIZE	CATALOG #	NOMINAL WEIGHT	A	B	C	MAX WALL THICK	ALUMINUM CATALOG #
1/2"	PRSTG1	0.2	1.34	2.00	0.81	0.19	PRSTAG1
3/4"	PRSTG2	0.3	1.47	2.25	0.91	0.19	PRSTAG2
1"	PRSTG3	0.4	1.66	2.50	1.03	0.25	PRSTAG3
1-1/4"	PRSTG4	0.4	1.69	3.25	1.03	0.25	PRSTAG4
1-1/2"	PRSTG5	0.6	1.69	3.50	1.03	0.25	PRSTAG5
2"	PRSTG6	1.2	1.75	4.25	1.09	0.25	PRSTAG6
2-1/2"	PRSTG7	1.5	2.22	4.75	1.28	0.25	PRSTAG7
3"	PRSTG8	2.1	2.31	5.25	1.38	0.25	PRSTAG8
3-1/2"	PRSTG9	3.0	2.38	5.50	1.44	0.25	PRSTAG9
4"	PRSTG10	3.5	2.44	6.25	1.50	0.25	PRSTAG10
5"	PRSTG11	5.4	2.94	7.50	2.00	0.25	PRSTAG11
6"	PRSTG12	6.9	3.00	8.50	2.00	0.31	PRSTAG12

KNOCKOUT HUB CONFIGURATIONS



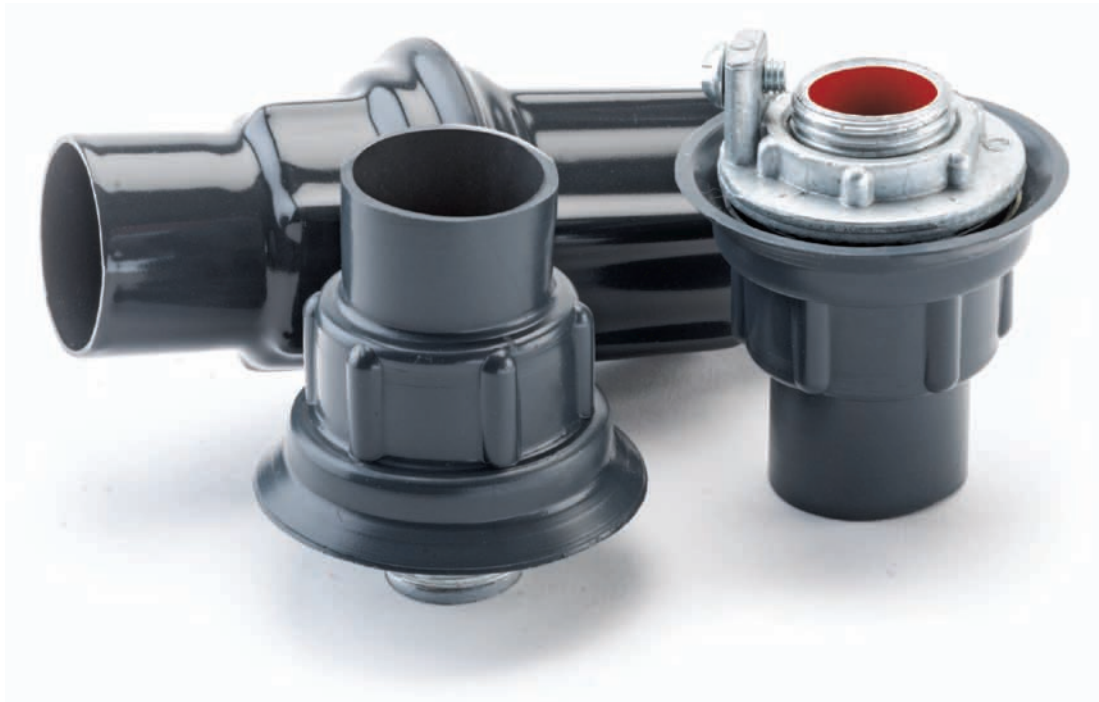
STTB

PIPE SIZE	CATALOG #	NOMINAL WEIGHT	A	B	MAX WALL THICK	ALUMINUM CATALOG #
1/2"	PRSTTB1	0.5	1.34	2.00	0.19	PRSTTB1
3/4"	PRSTTB2	0.5	1.47	2.25	0.19	PRSTTB2
1"	PRSTTB3	0.7	1.66	2.50	0.25	PRSTTB3
1-1/4"	PRSTTB4	1.0	1.69	3.25	0.25	PRSTTB4
1-1/2"	PRSTTB5	1.2	1.69	3.50	0.25	PRSTTB5
2"	PRSTTB6	1.7	1.75	4.25	0.25	PRSTTB6
2-1/2"	PRSTTB7	2.5	2.22	4.75	0.25	PRSTTB7
3"	PRSTTB8	3.0	2.31	5.25	0.25	PRSTTB8
3-1/2"	PRSTTB9	4.2	2.38	5.50	0.25	-
4"	PRSTTB10	5.9	2.44	6.25	0.25	-

STTTB

PIPE SIZE	CATALOG #	NOMINAL WEIGHT	A	B	MAX WALL THICK	ALUMINUM CATALOG #
1/2"	PRSTTTB1	1.0	1.34	2.00	*	PRSTTTB1
3/4"	PRSTTTB2	1.0	1.47	2.25	*	PRSTTTB2
1"	PRSTTTB3	1.4	1.66	2.50	*	PRSTTTB3
1-1/4"	PRSTTTB4	2.0	1.69	3.25	*	PRSTTTB4
1-1/2"	PRSTTTB5	2.4	1.69	3.50	*	PRSTTTB5
2"	PRSTTTB6	3.4	1.75	4.25	*	PRSTTTB6

* Unlimited wall thickness - determined by nipple used.



Knockout Hubs

Description:

Plasti-Bond REDH₂OT ST style knockout hubs are used to terminate conduit runs through the wall of a sheet metal electrical enclosure. They are available with or without grounding lug. STTB style hubs are "Through-Bulkhead" fittings used to pass conduit runs through firewalls or bulkheads up to 1/8" thick. STTTB style hubs perform the same function for unlimited wall thicknesses, (furnished without nipples).

Features:

- 40 mil gray PVC exterior coating
- ST available in 12 trade sizes from 1/2" through 6"
- STTB available in 10 trade sizes from 1/2" through 4"
- STTTB available in 6 trade sizes from 1/2" through 2"
- Sealing sleeves on conduit side of hub
- Molded PVC gasket seals flush with enclosure wall
- O-ring gasket provides additional seal

Standards:

Steel Only: ST, STG

- UL 514B (E200413)
- NEC/CEC:
 - Class I, Division 2
 - Class II, Division 1 & 2
 - Class III, Division 1 & 2

NOTE:

- All Screw-tight Hubs are listed for NEMA and UL type enclosures 2, 3, 3R, 4, 4x, 11 and 12
- Grounding and Bonding Hubs are listed for NEMA Enclosures 2, 3, 3R, 4 and 12

Knockout Hubs

Knockout Hubs Technical Data

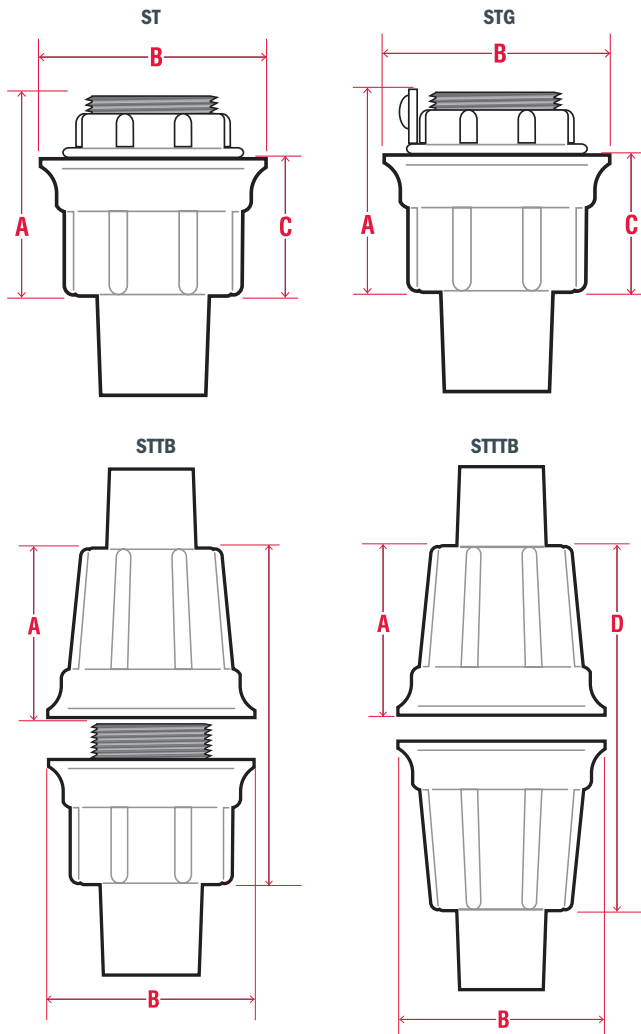
ST

PIPE SIZE	CATALOG #	NOMINAL WEIGHT	A	B	C	MAX WALL THICK	ALUMINUM CATALOG #
1/2"	PRST1	0.2	1.34	2.00	0.81	0.19	PRSTA1
3/4"	PRST2	0.3	1.47	2.25	0.91	0.19	PRSTA2
1"	PRST3	0.4	1.66	2.50	1.03	0.25	PRSTA3
1-1/4"	PRST4	0.4	1.69	3.25	1.03	0.25	PRSTA4
1-1/2"	PRST5	0.6	1.69	3.50	1.03	0.25	PRSTA5
2"	PRST6	1.2	1.75	4.25	1.09	0.25	PRSTA6
2-1/2"	PRST7	1.5	2.22	4.75	1.28	0.25	PRSTA7
3"	PRST8	2.1	2.31	5.25	1.38	0.25	PRSTA8
3-1/2"	PRST9	3.0	2.38	5.50	1.44	0.25	PRSTA9
4"	PRST10	3.5	2.44	6.25	1.50	0.25	PRSTA10
5"	PRST11	5.4	2.94	7.50	2.00	0.25	PRSTA11
6"	PRST12	6.9	3.00	8.50	2.00	0.31	PRSTA12

STG

PIPE SIZE	CATALOG #	NOMINAL WEIGHT	A	B	C	MAX WALL THICK	ALUMINUM CATALOG #
1/2"	PRSTG1	0.2	1.34	2.00	0.81	0.19	PRSTAG1
3/4"	PRSTG2	0.3	1.47	2.25	0.91	0.19	PRSTAG2
1"	PRSTG3	0.4	1.66	2.50	1.03	0.25	PRSTAG3
1-1/4"	PRSTG4	0.4	1.69	3.25	1.03	0.25	PRSTAG4
1-1/2"	PRSTG5	0.6	1.69	3.50	1.03	0.25	PRSTAG5
2"	PRSTG6	1.2	1.75	4.25	1.09	0.25	PRSTAG6
2-1/2"	PRSTG7	1.5	2.22	4.75	1.28	0.25	PRSTAG7
3"	PRSTG8	2.1	2.31	5.25	1.38	0.25	PRSTAG8
3-1/2"	PRSTG9	3.0	2.38	5.50	1.44	0.25	PRSTAG9
4"	PRSTG10	3.5	2.44	6.25	1.50	0.25	PRSTAG10
5"	PRSTG11	5.4	2.94	7.50	2.00	0.25	PRSTAG11
6"	PRSTG12	6.9	3.00	8.50	2.00	0.31	PRSTAG12

KNOCKOUT HUB CONFIGURATIONS



STTB

PIPE SIZE	CATALOG #	NOMINAL WEIGHT	A	B	MAX WALL THICK	ALUMINUM CATALOG #
1/2"	PRSTTB1	0.5	1.34	2.00	0.19	PRSTTB1
3/4"	PRSTTB2	0.5	1.47	2.25	0.19	PRSTTB2
1"	PRSTTB3	0.7	1.66	2.50	0.25	PRSTTB3
1-1/4"	PRSTTB4	1.0	1.69	3.25	0.25	PRSTTB4
1-1/2"	PRSTTB5	1.2	1.69	3.50	0.25	PRSTTB5
2"	PRSTTB6	1.7	1.75	4.25	0.25	PRSTTB6
2-1/2"	PRSTTB7	2.5	2.22	4.75	0.25	PRSTTB7
3"	PRSTTB8	3.0	2.31	5.25	0.25	PRSTTB8
3-1/2"	PRSTTB9	4.2	2.38	5.50	0.25	-
4"	PRSTTB10	5.9	2.44	6.25	0.25	-

STTTB

PIPE SIZE	CATALOG #	NOMINAL WEIGHT	A	B	MAX WALL THICK	ALUMINUM CATALOG #
1/2"	PRSTTTB1	1.0	1.34	2.00	*	PRSTTTB1
3/4"	PRSTTTB2	1.0	1.47	2.25	*	PRSTTTB2
1"	PRSTTTB3	1.4	1.66	2.50	*	PRSTTTB3
1-1/4"	PRSTTTB4	2.0	1.69	3.25	*	PRSTTTB4
1-1/2"	PRSTTTB5	2.4	1.69	3.50	*	PRSTTTB5
2"	PRSTTTB6	3.4	1.75	4.25	*	PRSTTTB6

* Unlimited wall thickness - determined by nipple used.