

## ST01 Series

### Digital In-Wall Timers

The ST01 Series In-Wall Timers are easy-to-program, 4-button programmable timers that allow up to 40 event settings per week. The timers have an Astronomic feature for sunrise and sunset switching.

#### Features

- Easy to program for 24-Hour or 7-Day load control
- Auto Daylight Saving Time adjustment
- CFL/LED compatible
- Astronomic feature provides sunset ON and sunrise OFF settings or combine Astronomic features with specific timed ON/OFF programming
- Low battery indicator
- Continuously displays time of day, mode and load status
- CR2 lithium battery provides up to 2+ years of time keeping without AC power
- Replaces single-pole or 3-way switches in a variety of applications
- Random setting feature available to avoid predictable time controlled look
- User program selections are stored in non-volatile memory
- Controls all voltage/frequencies with no adjustments required
- No neutral required
- Manual override feature

*Not for use with sunlamps, saunas, or loads that could cause personal injury if timed incorrectly.*

#### Ratings

##### Switch Ratings:

Resistive:	15 Amp, 120-277 VAC
Tungsten:	15 Amp, 120 VAC 6 Amp, 208-277 VAC
Ballast (magnetic):	8 Amp, 120 VAC 4 Amp, 208-277 VAC
Motor:	1 HP, 120 VAC 2 HP, 240 VAC
DC Loads:	4 Amp, 12 VDC 2 Amp, 28 VDC
Dimensions:	2.75" H x 1.75" W x 1.46" D
Warranty:	Limited 1 year

Project: \_\_\_\_\_

Location: \_\_\_\_\_

Product Type: \_\_\_\_\_

Contact/Phone: \_\_\_\_\_

Model #: \_\_\_\_\_



ST01A

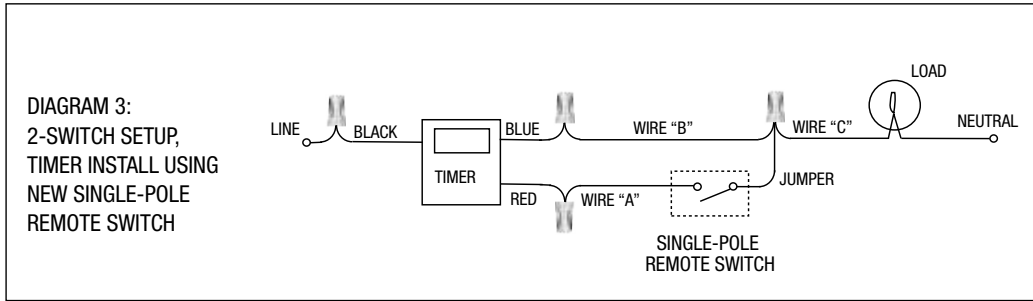
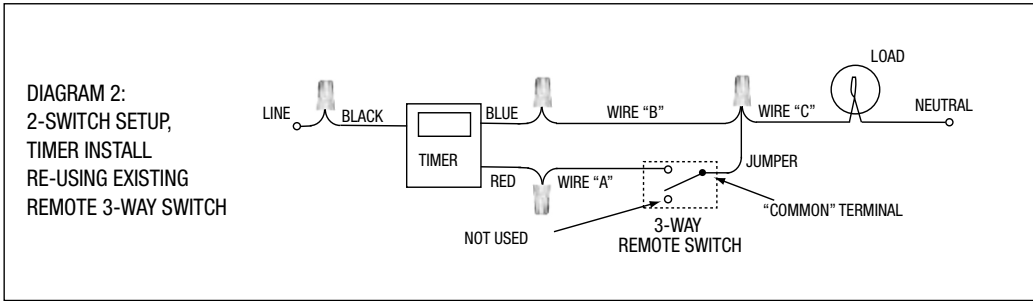
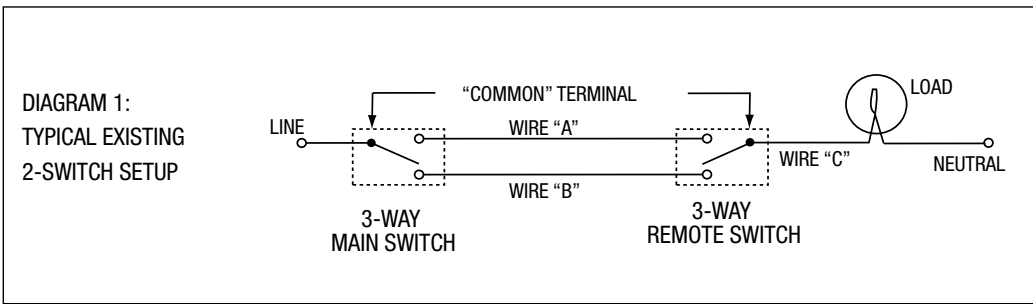
Model Number	Switch	Manual Override	Neutral Required	Battery Backup	Color
ST01	Single-Pole/3-Way*	Yes	No	Yes	White
ST01A	Single-Pole/3-Way*	Yes	No	Yes	Almond

\*3-way applications up to 100 feet

## Specification

The timer shall be a solid state electronic control, capable of permitting 40 event settings to be distributed through a 7-Day time period, plus one Astro ON and one Astro OFF setpoint per day. The time-of-day event settings shall be programmable to the nearest minute with a minimum ON duration of 1 minute and a maximum ON duration of 6 days, 23 hours, 59 minutes. The timer shall have a digital LCD to show mode and time of day using a 12 hour AM/PM indicator. The timer shall provide a manual override control for both temporary and permanent overrides. The timer shall operate over a temperature range of 32°F to 104°F (0°C to 40°C). A lithium battery provides up to 2+ years of time keeping without AC power. User program selections are stored in a non-volatile memory. Switch configuration to be SPST with a CSA listed rating of: Resistive (heater): 15 Amp, 120-277 VAC; Tungsten (incandescent): 15 Amp, 120 VAC; 6 Amp, 208-277 VAC; Ballast (flourescent); 8 Amp, 120 VAC; 4 Amp, 120 VAC; Motor: 1 HP, 120 VAC; 2 HP, 240 VAC; DC Loads: 4 Amp, 12 VDC; 2 Amp, 28 VDC. The timer must fit a standard wall box and accept a rectangular decorator wall plate. Timer contacts shall make or break current according to user adjustable program. The timer shall be Intermatic model \_\_\_\_\_ (Almond-ST01AC)(White-ST01C).

## Diagrams



## ST01 Series

### Digital In-Wall Timers

The ST01 Series In-Wall Timers are easy-to-program, 4-button programmable timers that allow up to 40 event settings per week. The timers have an Astronomic feature for sunrise and sunset switching.

#### Features

- Easy to program for 24-Hour or 7-Day load control
- Auto Daylight Saving Time adjustment
- CFL/LED compatible
- Astronomic feature provides sunset ON and sunrise OFF settings or combine Astronomic features with specific timed ON/OFF programming
- Low battery indicator
- Continuously displays time of day, mode and load status
- CR2 lithium battery provides up to 2+ years of time keeping without AC power
- Replaces single-pole or 3-way switches in a variety of applications
- Random setting feature available to avoid predictable time controlled look
- User program selections are stored in non-volatile memory
- Controls all voltage/frequencies with no adjustments required
- No neutral required
- Manual override feature

*Not for use with sunlamps, saunas, or loads that could cause personal injury if timed incorrectly.*

#### Ratings

##### Switch Ratings:

Resistive:	15 Amp, 120-277 VAC
Tungsten:	15 Amp, 120 VAC 6 Amp, 208-277 VAC
Ballast (magnetic):	8 Amp, 120 VAC 4 Amp, 208-277 VAC
Motor:	1 HP, 120 VAC 2 HP, 240 VAC
DC Loads:	4 Amp, 12 VDC 2 Amp, 28 VDC
Dimensions:	2.75" H x 1.75" W x 1.46" D
Warranty:	Limited 1 year

Project: \_\_\_\_\_

Location: \_\_\_\_\_

Product Type: \_\_\_\_\_

Contact/Phone: \_\_\_\_\_

Model #: \_\_\_\_\_



ST01A

Model Number	Switch	Manual Override	Neutral Required	Battery Backup	Color
ST01	Single-Pole/3-Way*	Yes	No	Yes	White
ST01A	Single-Pole/3-Way*	Yes	No	Yes	Almond

\*3-way applications up to 100 feet

## Specification

The timer shall be a solid state electronic control, capable of permitting 40 event settings to be distributed through a 7-Day time period, plus one Astro ON and one Astro OFF setpoint per day. The time-of-day event settings shall be programmable to the nearest minute with a minimum ON duration of 1 minute and a maximum ON duration of 6 days, 23 hours, 59 minutes. The timer shall have a digital LCD to show mode and time of day using a 12 hour AM/PM indicator. The timer shall provide a manual override control for both temporary and permanent overrides. The timer shall operate over a temperature range of 32°F to 104°F (0°C to 40°C). A lithium battery provides up to 2+ years of time keeping without AC power. User program selections are stored in a non-volatile memory. Switch configuration to be SPST with a CSA listed rating of: Resistive (heater): 15 Amp, 120-277 VAC; Tungsten (incandescent): 15 Amp, 120 VAC; 6 Amp, 208-277 VAC; Ballast (flourescent); 8 Amp, 120 VAC; 4 Amp, 120 VAC; Motor: 1 HP, 120 VAC; 2 HP, 240 VAC; DC Loads: 4 Amp, 12 VDC; 2 Amp, 28 VDC. The timer must fit a standard wall box and accept a rectangular decorator wall plate. Timer contacts shall make or break current according to user adjustable program. The timer shall be Intermatic model \_\_\_\_\_ (Almond-ST01AC)(White-ST01C).

## Diagrams

