

AMERICAN FITTINGS

EMT Fittings Alloy Steel Made in the USA Couplings & Connectors Set Screw



Since 1946

SPEC-grade™

Size Range: 1/2" - 4" Alloy Steel
SS Series Connectors & Couplings Set Screw
Connectors Furnished with:
Industrial Grade Locknut
UL Rated Concrete Tight When Taped
Vibration Resistant Steel Steel Screws

Available:
Solid Alloy Steel Construction, Precision Machined
1/2"- 2" 1 Screw per end; 2 1/2"- 4" 2 Screws Per End
Zinc Plated, Chromate Finish - Colors available
Insulated Throat Bushing Option Available on Connector*
UL Rated Concrete Type When Taped



EMT AMFICO SPEC-grade™ Connectors & Couplings Set Screw

| Cat # | Trade Size " | Description | Box Qty. | Carton Qty | NAED UPC |
|--------|--------------|-----------------------------------|----------|------------|-------------|
| SS50US | 1/2 | EMT Steel Set Screw Connector USA | 50 | 250 | 66236419060 |
| SS51US | 3/4 | EMT Steel Set Screw Connector USA | 25 | 125 | 66236419062 |
| SS52US | 1 | EMT Steel Set Screw Connector USA | 20 | 100 | 66236419064 |
| SS53US | 1 1/4 | EMT Steel Set Screw Connector USA | 5 | 25 | 66236419066 |
| SS54US | 1 1/2 | EMT Steel Set Screw Connector USA | 5 | 25 | 66236419068 |
| SS55US | 2 | EMT Steel Set Screw Connector USA | - | 20 | 66236419070 |
| SS56US | 2 1/2 | EMT Steel Set Screw Connector USA | - | 6 | 66236419072 |
| SS57US | 3 | EMT Steel Set Screw Connector USA | - | 6 | 66236419074 |
| SS58US | 3 1/2 | EMT Steel Set Screw Connector USA | - | 3 | 66236419076 |
| SS59US | 4 | EMT Steel Set Screw Connector USA | - | 3 | 66236419078 |
| SS60US | 1/2 | EMT Steel Set Screw Coupling USA | 50 | 250 | 66236419100 |
| SS61US | 3/4 | EMT Steel Set Screw Coupling USA | 25 | 125 | 66236419102 |
| SS62US | 1 | EMT Steel Set Screw Coupling USA | 10 | 50 | 66236419104 |
| SS63US | 1 1/4 | EMT Steel Set Screw Coupling USA | 5 | 25 | 66236419106 |
| SS64US | 1 1/2 | EMT Steel Set Screw Coupling USA | 5 | 25 | 66236419108 |
| SS65US | 2 | EMT Steel Set Screw Coupling USA | - | 20 | 66236419110 |
| SS66US | 2 1/2 | EMT Steel Set Screw Coupling USA | - | 5 | 66236419112 |
| SS67US | 3 | EMT Steel Set Screw Coupling USA | - | 3 | 66236419114 |
| SS68US | 3 1/2 | EMT Steel Set Screw Coupling USA | - | 2 | 66236419116 |
| SS69US | 4 | EMT Steel Set Screw Coupling USA | - | 2 | 66236419118 |

Options

* Insulated Throat Bushings Rated 105° on Connectors Available:

Add suffix "B" to above cat #'s:i.e. ECXXXXB

Color Coded Fittings Available Consult Factory for Details

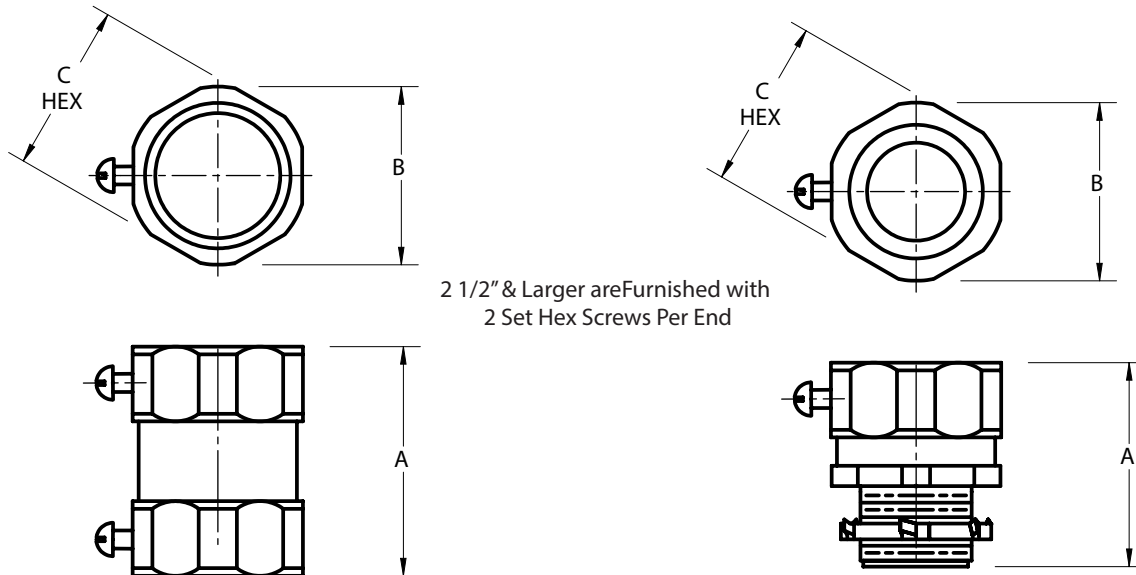
AMERICAN FITTINGS

EMT Fittings Alloy Steel Made in the USA
Connectors & Couplings Set Screw



Since 1946

EMT AMFICO SPEC-grade™ Connectors & Couplings Compression



1/2 the Size and Weight of All Die Cast, Malleable Iron or Off Shore Steel Fittings, TWICE the Strength & Corrosion Resistance

DIMENSION TABLE

Connectors

Couplings

| Cat# | Trade Size | "A" | "B" | "C" | Wt./c | Cat# | Trade Size | "A" | "B" | "C" | Wt./c |
|--------|------------|----------|----------|----------|-------|--------|------------|----------|----------|----------|-------|
| SS50US | 1/2" | 1-5/32" | 63/64" | 15/16" | 10 | SS60US | 1/2" | 1-1/2" | 7/8" | 27/32" | 10 |
| SS51US | 3/4" | 1-3/16" | 1-7/32" | 1-11/64" | 14 | SS61US | 3/4" | 1-1/2" | 1-1/8" | 1-1/16" | 15 |
| SS52US | 1 | 1-1/2" | 1-1/2" | 1-7/16" | 23 | SS62US | 1 | 1-7/8" | 1-11/32" | 1-13/32" | 24 |
| SS53US | 1-1/4" | 1-11/16" | 2-7/8" | 1-13/16" | 40 | SS63US | 1-1/4" | 2-3/16" | 1-3/4" | 1-11/16" | 44 |
| SS54US | 1-1/2" | 1-29/32" | 2-5/32" | 2-1/16" | 52 | SS64US | 1-1/2" | 2-19/32" | 2-1/32" | 1-31/32" | 68 |
| SS55US | 2" | 2-29/32" | 2-21/32" | 2-9/16" | 80 | SS65US | 2" | 2-11/16" | 2-1/2" | 2-13/32" | 90 |
| SS56US | 2-1/2" | 2-3/8" | 3-13/32" | 3-1/4" | 116 | SS66US | 2-1/2" | 2-17/32" | 3-13/32" | 3-1/4" | 113 |
| SS57US | 3" | 2-7/16" | 4" | 3-29/32" | 160 | SS67US | 3" | 2-5/8" | 4" | 3-29/32" | 127 |
| SS58US | 3-1/2" | 2-7/16" | 4-9/16" | 4-13/32" | 210 | SS68US | 3-1/2" | 2-5/8" | 4-9/16" | 4-13/32" | 156 |
| SS59US | 4" | 2-7/16" | 5-3/32" | 4-29/32" | 240 | SS69US | 4" | 2-5/8" | 5-3/32" | 4-29/32" | 172 |

- Steel, Zinc Plated Set Screws
Vibration Resistant Maintain Grip & Bonding
- Accept FULL Torque without Concern for Cracking Fitting
- Tri-head screws (1/2" to 2" trade sizes) may be installed using a slotted, Phillips, or Robertson head screwdriver.
- Full Hex Head Screws (2 1/2" - 4")
- AMFICO Set Screw Fittings Are IMPOSSIBLE to CRACK

Compliances:

Certified Made in the USA
UL 514B
NEMA Standard FB1
Certified for MIL-STD 810 Sinusoidal Vibrations
Federal Standard A-A-50553
UL Standards: 514B, 467
CSA Standard: C22.2 No. 18F
RoHS Compliant



AMERICAN FITTINGS

EMT Fittings Alloy Steel Made in the USA Couplings & Connectors Set Screw



Since 1946

SPEC-grade™

Size Range: 1/2" - 4" Alloy Steel
SS Series Connectors & Couplings Set Screw
Connectors Furnished with:
Industrial Grade Locknut
UL Rated Concrete Tight When Taped
Vibration Resistant Steel Steel Screws

Available:
Solid Alloy Steel Construction, Precision Machined
1/2"- 2" 1 Screw per end; 2 1/2"- 4" 2 Screws Per End
Zinc Plated, Chromate Finish - Colors available
Insulated Throat Bushing Option Available on Connector*
UL Rated Concrete Type When Taped



EMT AMFICO SPEC-grade™ Connectors & Couplings Set Screw

| Cat # | Trade Size " | Description | Box Qty. | Carton Qty | NAED UPC |
|--------|--------------|-----------------------------------|----------|------------|-------------|
| SS50US | 1/2 | EMT Steel Set Screw Connector USA | 50 | 250 | 66236419060 |
| SS51US | 3/4 | EMT Steel Set Screw Connector USA | 25 | 125 | 66236419062 |
| SS52US | 1 | EMT Steel Set Screw Connector USA | 20 | 100 | 66236419064 |
| SS53US | 1 1/4 | EMT Steel Set Screw Connector USA | 5 | 25 | 66236419066 |
| SS54US | 1 1/2 | EMT Steel Set Screw Connector USA | 5 | 25 | 66236419068 |
| SS55US | 2 | EMT Steel Set Screw Connector USA | - | 20 | 66236419070 |
| SS56US | 2 1/2 | EMT Steel Set Screw Connector USA | - | 6 | 66236419072 |
| SS57US | 3 | EMT Steel Set Screw Connector USA | - | 6 | 66236419074 |
| SS58US | 3 1/2 | EMT Steel Set Screw Connector USA | - | 3 | 66236419076 |
| SS59US | 4 | EMT Steel Set Screw Connector USA | - | 3 | 66236419078 |
| SS60US | 1/2 | EMT Steel Set Screw Coupling USA | 50 | 250 | 66236419100 |
| SS61US | 3/4 | EMT Steel Set Screw Coupling USA | 25 | 125 | 66236419102 |
| SS62US | 1 | EMT Steel Set Screw Coupling USA | 10 | 50 | 66236419104 |
| SS63US | 1 1/4 | EMT Steel Set Screw Coupling USA | 5 | 25 | 66236419106 |
| SS64US | 1 1/2 | EMT Steel Set Screw Coupling USA | 5 | 25 | 66236419108 |
| SS65US | 2 | EMT Steel Set Screw Coupling USA | - | 20 | 66236419110 |
| SS66US | 2 1/2 | EMT Steel Set Screw Coupling USA | - | 5 | 66236419112 |
| SS67US | 3 | EMT Steel Set Screw Coupling USA | - | 3 | 66236419114 |
| SS68US | 3 1/2 | EMT Steel Set Screw Coupling USA | - | 2 | 66236419116 |
| SS69US | 4 | EMT Steel Set Screw Coupling USA | - | 2 | 66236419118 |

Options

* Insulated Throat Bushings Rated 105° on Connectors Available:

Add suffix "B" to above cat #'s:i.e. ECXXXXB

Color Coded Fittings Available Consult Factory for Details

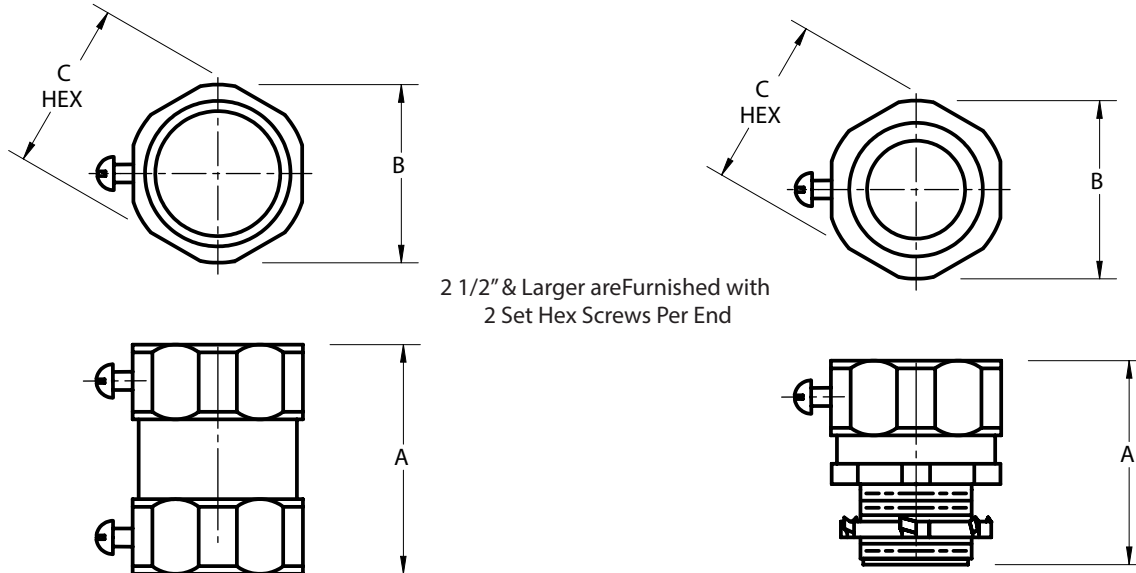
AMERICAN FITTINGS

EMT Fittings Alloy Steel Made in the USA
Connectors & Couplings Set Screw



Since 1946

EMT AMFICO SPEC-grade™ Connectors & Couplings Compression



1/2 the Size and Weight of All Die Cast, Malleable Iron or Off Shore Steel Fittings, TWICE the Strength & Corrosion Resistance

DIMENSION TABLE

Connectors

Couplings

| Cat# | Trade Size | "A" | "B" | "C" | Wt./c | Cat# | Trade Size | "A" | "B" | "C" | Wt./c |
|--------|------------|----------|----------|----------|-------|--------|------------|----------|----------|----------|-------|
| SS50US | 1/2" | 1-5/32" | 63/64" | 15/16" | 10 | SS60US | 1/2" | 1-1/2" | 7/8" | 27/32" | 10 |
| SS51US | 3/4" | 1-3/16" | 1-7/32" | 1-11/64" | 14 | SS61US | 3/4" | 1-1/2" | 1-1/8" | 1-1/16" | 15 |
| SS52US | 1 | 1-1/2" | 1-1/2" | 1-7/16" | 23 | SS62US | 1 | 1-7/8" | 1-11/32" | 1-13/32" | 24 |
| SS53US | 1-1/4" | 1-11/16" | 2-7/8" | 1-13/16" | 40 | SS63US | 1-1/4" | 2-3/16" | 1-3/4" | 1-11/16" | 44 |
| SS54US | 1-1/2" | 1-29/32" | 2-5/32" | 2-1/16" | 52 | SS64US | 1-1/2" | 2-19/32" | 2-1/32" | 1-31/32" | 68 |
| SS55US | 2" | 2-29/32" | 2-21/32" | 2-9/16" | 80 | SS65US | 2" | 2-11/16" | 2-1/2" | 2-13/32" | 90 |
| SS56US | 2-1/2" | 2-3/8" | 3-13/32" | 3-1/4" | 116 | SS66US | 2-1/2" | 2-17/32" | 3-13/32" | 3-1/4" | 113 |
| SS57US | 3" | 2-7/16" | 4" | 3-29/32" | 160 | SS67US | 3" | 2-5/8" | 4" | 3-29/32" | 127 |
| SS58US | 3-1/2" | 2-7/16" | 4-9/16" | 4-13/32" | 210 | SS68US | 3-1/2" | 2-5/8" | 4-9/16" | 4-13/32" | 156 |
| SS59US | 4" | 2-7/16" | 5-3/32" | 4-29/32" | 240 | SS69US | 4" | 2-5/8" | 5-3/32" | 4-29/32" | 172 |

- Steel, Zinc Plated Set Screws
Vibration Resistant Maintain Grip & Bonding
- Accept FULL Torque without Concern for Cracking Fitting
- Tri-head screws (1/2" to 2" trade sizes) may be installed using a slotted, Phillips, or Robertson head screwdriver.
- Full Hex Head Screws (2 1/2" - 4")
- AMFICO Set Screw Fittings Are IMPOSSIBLE to CRACK

Compliances:

Certified Made in the USA
UL 514B
NEMA Standard FB1
Certified for MIL-STD 810 Sinusoidal Vibrations
Federal Standard A-A-50553
UL Standards: 514B, 467
CSA Standard: C22.2 No. 18F
RoHS Compliant

