

# AMERICAN FITTINGS

## EMT Fittings Alloy Steel Made in the USA Couplings & Connectors Set Screw



Since 1946

**SPEC-grade™**

**Size Range:** 1/2" - 4" Alloy Steel  
**SS Series Connectors & Couplings Set Screw**  
Connectors Furnished with:  
Industrial Grade Locknut  
UL Rated Concrete Tight When Taped  
Vibration Resistant Steel Steel Screws

**Available:**  
Solid Alloy Steel Construction, Precision Machined  
1/2"- 2" 1 Screw per end; 2 1/2"- 4" 2 Screws Per End  
Zinc Plated, Chromate Finish - Colors available  
Insulated Throat Bushing Option Available on Connector\*  
UL Rated Concrete Type When Taped



### EMT AMFICO SPEC-grade™ Connectors & Couplings Set Screw

Cat #	Trade Size "	Description	Box Qty.	Carton Qty	NAED UPC
SS50US	1/2	EMT Steel Set Screw Connector USA	50	250	66236419060
SS51US	3/4	EMT Steel Set Screw Connector USA	25	125	66236419062
SS52US	1	EMT Steel Set Screw Connector USA	20	100	66236419064
SS53US	1 1/4	EMT Steel Set Screw Connector USA	5	25	66236419066
SS54US	1 1/2	EMT Steel Set Screw Connector USA	5	25	66236419068
SS55US	2	EMT Steel Set Screw Connector USA	-	20	66236419070
SS56US	2 1/2	EMT Steel Set Screw Connector USA	-	6	66236419072
SS57US	3	EMT Steel Set Screw Connector USA	-	6	66236419074
SS58US	3 1/2	EMT Steel Set Screw Connector USA	-	3	66236419076
SS59US	4	EMT Steel Set Screw Connector USA	-	3	66236419078
SS60US	1/2	EMT Steel Set Screw Coupling USA	50	250	66236419100
SS61US	3/4	EMT Steel Set Screw Coupling USA	25	125	66236419102
SS62US	1	EMT Steel Set Screw Coupling USA	10	50	66236419104
SS63US	1 1/4	EMT Steel Set Screw Coupling USA	5	25	66236419106
SS64US	1 1/2	EMT Steel Set Screw Coupling USA	5	25	66236419108
SS65US	2	EMT Steel Set Screw Coupling USA	-	20	66236419110
SS66US	2 1/2	EMT Steel Set Screw Coupling USA	-	5	66236419112
SS67US	3	EMT Steel Set Screw Coupling USA	-	3	66236419114
SS68US	3 1/2	EMT Steel Set Screw Coupling USA	-	2	66236419116
SS69US	4	EMT Steel Set Screw Coupling USA	-	2	66236419118

#### Options

\* Insulated Throat Bushings Rated 105° on Connectors Available:

Add suffix "B" to above cat #'s:i.e. ECXXXXB

Color Coded Fittings Available Consult Factory for Details

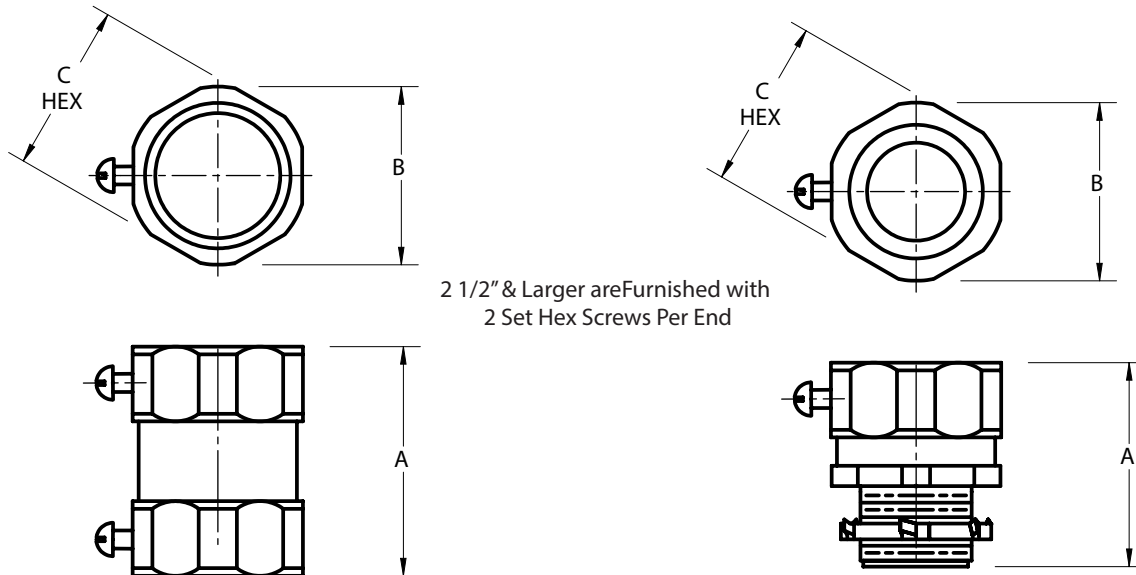
# AMERICAN FITTINGS

EMT Fittings Alloy Steel Made in the USA  
Connectors & Couplings Set Screw



Since 1946

## EMT AMFICO SPEC-grade™ Connectors & Couplings Compression



1/2 the Size and Weight of All Die Cast, Malleable Iron or Off Shore Steel Fittings, TWICE the Strength & Corrosion Resistance

### DIMENSION TABLE

#### Connectors

#### Couplings

Cat#	Trade Size	"A"	"B"	"C"	Wt./c	Cat#	Trade Size	"A"	"B"	"C"	Wt./c
SS50US	1/2"	1-5/32"	63/64"	15/16"	10	SS60US	1/2"	1-1/2"	7/8"	27/32"	10
SS51US	3/4"	1-3/16"	1-7/32"	1-11/64"	14	SS61US	3/4"	1-1/2"	1-1/8"	1-1/16"	15
SS52US	1	1-1/2"	1-1/2"	1-7/16"	23	SS62US	1	1-7/8"	1-11/32"	1-13/32"	24
SS53US	1-1/4"	1-11/16"	2-7/8"	1-13/16"	40	SS63US	1-1/4"	2-3/16"	1-3/4"	1-11/16"	44
SS54US	1-1/2"	1-29/32"	2-5/32"	2-1/16"	52	SS64US	1-1/2"	2-19/32"	2-1/32"	1-31/32"	68
SS55US	2"	2-29/32"	2-21/32"	2-9/16"	80	SS65US	2"	2-11/16"	2-1/2"	2-13/32"	90
SS56US	2-1/2"	2-3/8"	3-13/32"	3-1/4"	116	SS66US	2-1/2"	2-17/32"	3-13/32"	3-1/4"	113
SS57US	3"	2-7/16"	4"	3-29/32"	160	SS67US	3"	2-5/8"	4"	3-29/32"	127
SS58US	3-1/2"	2-7/16"	4-9/16"	4-13/32"	210	SS68US	3-1/2"	2-5/8"	4-9/16"	4-13/32"	156
SS59US	4"	2-7/16"	5-3/32"	4-29/32"	240	SS69US	4"	2-5/8"	5-3/32"	4-29/32"	172

- Steel, Zinc Plated Set Screws  
Vibration Resistant Maintain Grip & Bonding
- Accept FULL Torque without Concern for Cracking Fitting
- Tri-head screws (1/2" to 2" trade sizes) may be installed using a slotted, Phillips, or Robertson head screwdriver.
- Full Hex Head Screws (2 1/2" - 4")
- AMFICO Set Screw Fittings Are IMPOSSIBLE to CRACK

### Compliances:

Certified Made in the USA  
UL 514B  
NEMA Standard FB1  
Certified for MIL-STD 810 Sinusoidal Vibrations  
Federal Standard A-A-50553  
UL Standards: 514B, 467  
CSA Standard: C22.2 No. 18F  
RoHS Compliant



# AMERICAN FITTINGS

## EMT Fittings Alloy Steel Made in the USA Couplings & Connectors Set Screw



Since 1946

**SPEC-grade™**

**Size Range:** 1/2" - 4" Alloy Steel  
**SS Series Connectors & Couplings Set Screw**  
Connectors Furnished with:  
Industrial Grade Locknut  
UL Rated Concrete Tight When Taped  
Vibration Resistant Steel Steel Screws

**Available:**  
Solid Alloy Steel Construction, Precision Machined  
1/2"- 2" 1 Screw per end; 2 1/2"- 4" 2 Screws Per End  
Zinc Plated, Chromate Finish - Colors available  
Insulated Throat Bushing Option Available on Connector\*  
UL Rated Concrete Type When Taped



### EMT AMFICO SPEC-grade™ Connectors & Couplings Set Screw

Cat #	Trade Size "	Description	Box Qty.	Carton Qty	NAED UPC
SS50US	1/2	EMT Steel Set Screw Connector USA	50	250	66236419060
SS51US	3/4	EMT Steel Set Screw Connector USA	25	125	66236419062
SS52US	1	EMT Steel Set Screw Connector USA	20	100	66236419064
SS53US	1 1/4	EMT Steel Set Screw Connector USA	5	25	66236419066
SS54US	1 1/2	EMT Steel Set Screw Connector USA	5	25	66236419068
SS55US	2	EMT Steel Set Screw Connector USA	-	20	66236419070
SS56US	2 1/2	EMT Steel Set Screw Connector USA	-	6	66236419072
SS57US	3	EMT Steel Set Screw Connector USA	-	6	66236419074
SS58US	3 1/2	EMT Steel Set Screw Connector USA	-	3	66236419076
SS59US	4	EMT Steel Set Screw Connector USA	-	3	66236419078
SS60US	1/2	EMT Steel Set Screw Coupling USA	50	250	66236419100
SS61US	3/4	EMT Steel Set Screw Coupling USA	25	125	66236419102
SS62US	1	EMT Steel Set Screw Coupling USA	10	50	66236419104
SS63US	1 1/4	EMT Steel Set Screw Coupling USA	5	25	66236419106
SS64US	1 1/2	EMT Steel Set Screw Coupling USA	5	25	66236419108
SS65US	2	EMT Steel Set Screw Coupling USA	-	20	66236419110
SS66US	2 1/2	EMT Steel Set Screw Coupling USA	-	5	66236419112
SS67US	3	EMT Steel Set Screw Coupling USA	-	3	66236419114
SS68US	3 1/2	EMT Steel Set Screw Coupling USA	-	2	66236419116
SS69US	4	EMT Steel Set Screw Coupling USA	-	2	66236419118

#### Options

\* Insulated Throat Bushings Rated 105° on Connectors Available:

Add suffix "B" to above cat #'s:i.e. ECXXXXB

Color Coded Fittings Available Consult Factory for Details

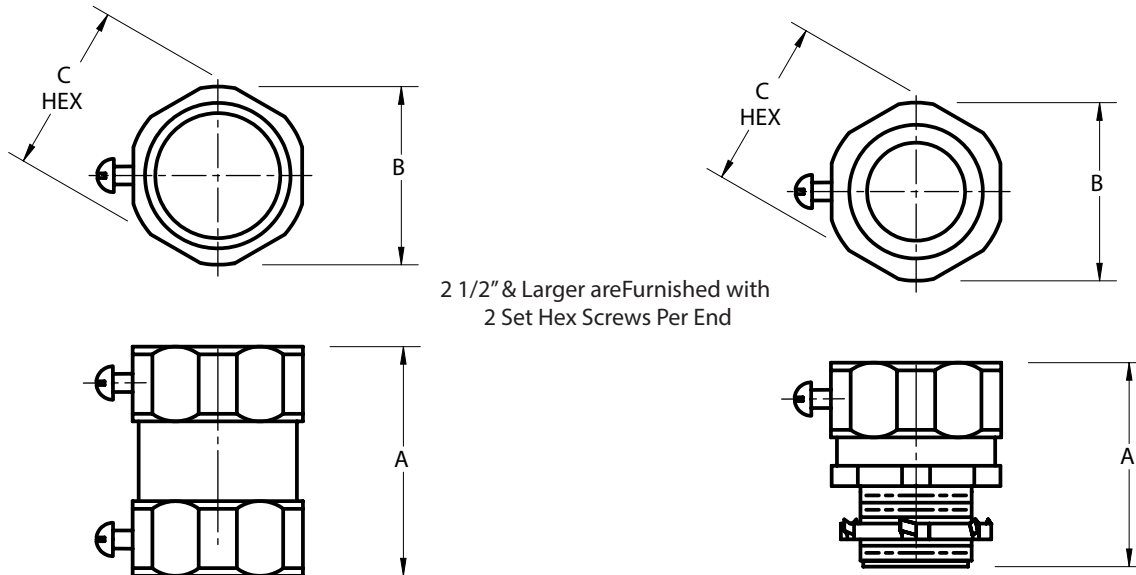
# AMERICAN FITTINGS

EMT Fittings Alloy Steel Made in the USA  
Connectors & Couplings Set Screw



Since 1946

## EMT AMFICO SPEC-grade™ Connectors & Couplings Compression



1/2 the Size and Weight of All Die Cast, Malleable Iron or Off Shore Steel Fittings, TWICE the Strength & Corrosion Resistance

### DIMENSION TABLE

#### Connectors

#### Couplings

Cat#	Trade Size	"A"	"B"	"C"	Wt./c	Cat#	Trade Size	"A"	"B"	"C"	Wt./c
SS50US	1/2"	1-5/32"	63/64"	15/16"	10	SS60US	1/2"	1-1/2"	7/8"	27/32"	10
SS51US	3/4"	1-3/16"	1-7/32"	1-11/64"	14	SS61US	3/4"	1-1/2"	1-1/8"	1-1/16"	15
SS52US	1	1-1/2"	1-1/2"	1-7/16"	23	SS62US	1	1-7/8"	1-11/32"	1-13/32"	24
SS53US	1-1/4"	1-11/16"	2-7/8"	1-13/16"	40	SS63US	1-1/4"	2-3/16"	1-3/4"	1-11/16"	44
SS54US	1-1/2"	1-29/32"	2-5/32"	2-1/16"	52	SS64US	1-1/2"	2-19/32"	2-1/32"	1-31/32"	68
SS55US	2"	2-29/32"	2-21/32"	2-9/16"	80	SS65US	2"	2-11/16"	2-1/2"	2-13/32"	90
SS56US	2-1/2"	2-3/8"	3-13/32"	3-1/4"	116	SS66US	2-1/2"	2-17/32"	3-13/32"	3-1/4"	113
SS57US	3"	2-7/16"	4"	3-29/32"	160	SS67US	3"	2-5/8"	4"	3-29/32"	127
SS58US	3-1/2"	2-7/16"	4-9/16"	4-13/32"	210	SS68US	3-1/2"	2-5/8"	4-9/16"	4-13/32"	156
SS59US	4"	2-7/16"	5-3/32"	4-29/32"	240	SS69US	4"	2-5/8"	5-3/32"	4-29/32"	172

- Steel, Zinc Plated Set Screws  
Vibration Resistant Maintain Grip & Bonding
- Accept FULL Torque without Concern for Cracking Fitting
- Tri-head screws (1/2" to 2" trade sizes) may be installed using a slotted, Phillips, or Robertson head screwdriver.
- Full Hex Head Screws (2 1/2" - 4")
- AMFICO Set Screw Fittings Are IMPOSSIBLE to CRACK

### Compliances:

Certified Made in the USA  
UL 514B  
NEMA Standard FB1  
Certified for MIL-STD 810 Sinusoidal Vibrations  
Federal Standard A-A-50553  
UL Standards: 514B, 467  
CSA Standard: C22.2 No. 18F  
RoHS Compliant

