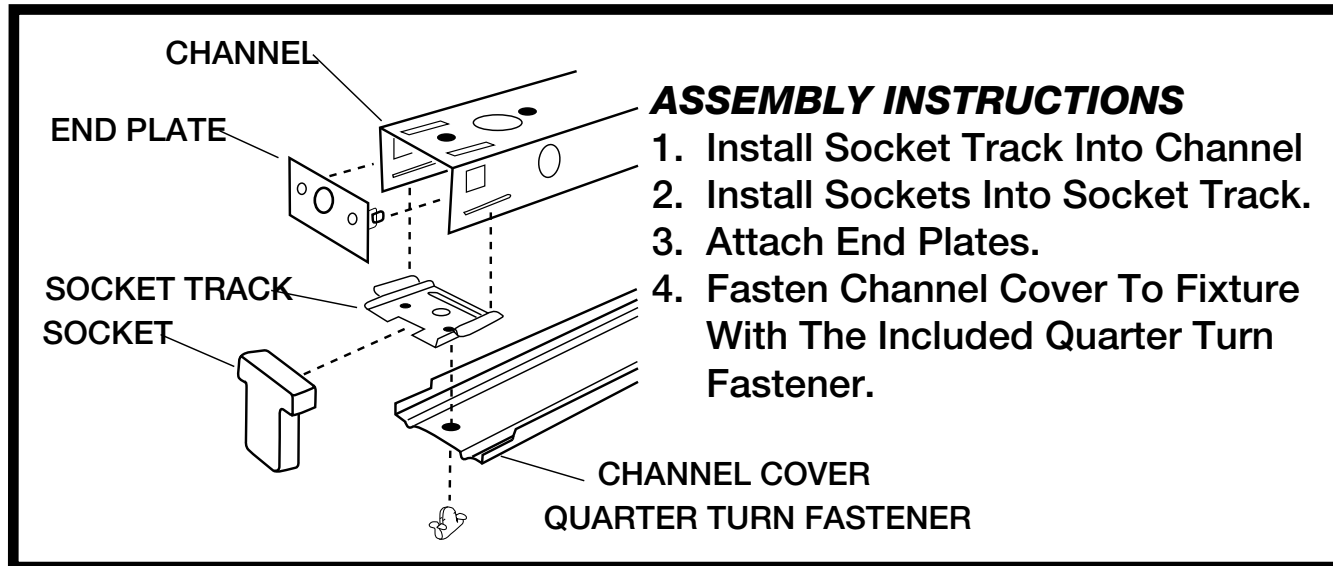


# Instructions: #6



**ATTENTION: RECEIVING DEPARTMENT**

NOTE ACTUAL FIXTURE DESCRIPTION OF ANY SHORTAGE OR NOTICEABLE DAMAGE ON DELIVERY RECEIPT. FILE CLAIM FOR COMMON CARRIER (LTL) DIRECTLY WITH CARRIER. CLAIMS FOR CONCEALED DAMAGE MUST BE FILED WITHIN 15 DAYS OF DELIVERY. ALL DAMAGED MATERIAL, COMPLETE WITH ORIGINAL PACKING MUST BE RETAINED.

**NOTICE:** GREEN GROUNDING SCREW AND CUP WASHER ARE PROVIDED IN HARDWARE PACKAGE. FASTENER MUST BE INSTALLED IN GROUND LOCATION IDENTIFIED IN FIXTURE.

**WARNING:**

RISK OF FIRE, ELECTRICAL SHOCK, CUTS AND OR OTHER CASUALTY HAZARDS. IF YOU ARE NOT FAMILIAR WITH STANDARD ELECTRICAL PRACTICES & INSTALLATIONS, CONSULT OR HAVE PRODUCT INSTALLED BY A QUALIFIED ELECTRICIAN. COOPER LIGHTING ASSUMES NO RESPONSIBILITY FOR CLAIMS BROUGHT ABOUT BY IMPROPER OR CARELESS INSTALLATION OR HANDLING OF THIS PRODUCT.