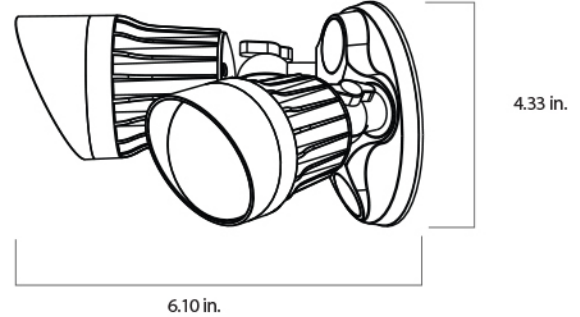




**DIMENSIONS:**



**SL-20W-BZ-30K** | **SL-20W-WHT-30K**  
**SL-20W-BZ-50K** | **SL-20W-WHT-50K**

**2-Headed Security Light**

Ideal for general site lighting, alleys, loading docks, doorways, pathway, parking areas. Replace existing HID flood lights/wallpacks. Great for use with motion sensors or other instant on/off controls. Solid state lighting technology for long life, low maintenance and high efficiency.

**ELECTRICAL SPECIFICATIONS:**

- Voltage: 90~135VAC 50/60Hz
- Wattage: 20W (10W per head)
- Driver: Non-isolated driver
- Operating Temperature: -20°C (-4°F) to 40°C (104°F)
- Power factor: .9~.97

**HOUSING SPECIFICATIONS:**

- Cover type: clear lens
- Finish: White and Bronze
- Suitable for wet locations, IP65

**LIGHTING SPECIFICATIONS:**

- Total lumens: 1500LM
- Color temperature: 3000K and 5000K
- Color rendering index: 80 Ra
- Beam angle: 100°
- LED quantity: 2pcs.
- LED efficacy: 75LM/W
- 70,000 hours rated life

MODEL	WATTS	VOLTS	LUMENS	COLOR TEMP
SL-20W-BZ-30K	20W	90~135V AC	1500LM	3000K
SL-20W-BZ-50K	20W	90~135V AC	1500LM	5000K
SL-20W-WHT-30K	20W	90~135V AC	1500LM	3000K
SL-20W-WHT-50K	20W	90~135V AC	1500LM	5000K
SL-PIR-BZ SL-PIR-WH	120V AC, 180° sensor angle, auto mode and manual override (white and bronze), max load rating: 40W (LED); 100W (Incandescent); 72W (Fluorescent)			
SL-PC	UL-recognized photocell component for SL series			

**FEATURES:**

- LED source use high bright LED chip, energy saving and pro-environment, lighting stable and long lifespan.
- Optical-grade PC lampshade, the light is good, anti-aging, difficult to damage;
- High heat conduction aluminum alloy shell, good heat dissipation, vacuum dust-free spray, anti-corrosion, no stripping;
- Strict waterproof treatment technology, meet international waterproof and dustproof standards;
- Can three-dimensional rotate, wide rotation angle, flexible and convenient adjustment;
- Radiate light protection design, won't affect the lighting effects because of weather

**WARRANTY:** 7 years

**CERTIFICATIONS:**



**SL-20W-BZ-30K | SL-20W-WHT-30K**  
**SL-20W-BZ-50K | SL-20W-WHT-50K**

**2-Headed Security Light**



MODEL	WATTS	VOLTS	LUMENS	COLOR TEMP
SL-20W-BZ-30K	20W	90~135V AC	1500LM	3000K
SL-20W-BZ-50K	20W	90~135V AC	1500LM	5000K
SL-20W-WHT-30K	20W	90~135V AC	1500LM	3000K
SL-20W-WHT-50K	20W	90~135V AC	1500LM	5000K
SL-PIR-BZ SL-PIR-WH	120V AC, 180° sensor angle, auto mode and manual override (white and bronze), max load rating: 40W (LED); 100W (Incandescent); 72W (Fluorescent)			
SL-PC	UL-recognized photocell component for SL series			

**ACCESSORIES (OPTIONAL):**

**Infrared Motion Sensors**



SL-PIR-BZ



SL-PIR-WH

**Photocell Component**



SL-PC

**ELECTRICAL SPECIFICATIONS:**

- UL-recognized photocell component
- 120V max 500W

## SL-20W-BZ-30K | SL-20W-WHT-30K SL-20W-BZ-50K | SL-20W-WHT-50K

### Security Light without Sensor



MODEL	WATTS	VOLTS	LUMENS	COLOR TEMP
SL-20W-BZ-30K	20W	90~135V AC	1500LM	3000K
SL-20W-BZ-50K	20W	90~135V AC	1500LM	5000K
SL-20W-WHT-30K	20W	90~135V AC	1500LM	3000K
SL-20W-WHT-50K	20W	90~135V AC	1500LM	5000K
SL-PIR-BZ SL-PIR-WH	120V AC, 180° sensor angle, auto mode and manual override (white and bronze), max load rating: 40W (LED); 100W (Incandescent); 72W (Fluorescent)			
SL-PC	UL-recognized photocell component for SL series			

### LIGHT SOURCE TEST REPORT:

#### Color Parameters:

Chromaticity Coordinate:  $x=0.4325(dx=-0.0009)$   $y=0.4009(dy=-0.0019)$   
 Chromaticity Coordinate:  $u'=0.2491$   $v'=0.5195(duv=-6.59e-04)$   
 $Tc=3050K$  Dominant WL:  $Ld=582.8nm$  Purity=50.1% Centroid WL:  $588.0nm$   
 Ratio:  $R=24.2\%$   $G=73.1\%$   $B=2.7\%$  Peak WL:  $Lp=600.0nm$  HWL:  $124.3nm$   
 Render Index:  $Ra=81.4$

R1 =80 R2 =92 R3 =94 R4 =77 R5 =80 R6 =90 R7 =81  
 R8 =56 R9 =3 R10=82 R11=75 R12=70 R13=83 R14=98 R15=73

#### Photo Parameters:

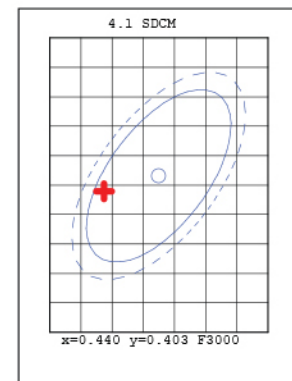
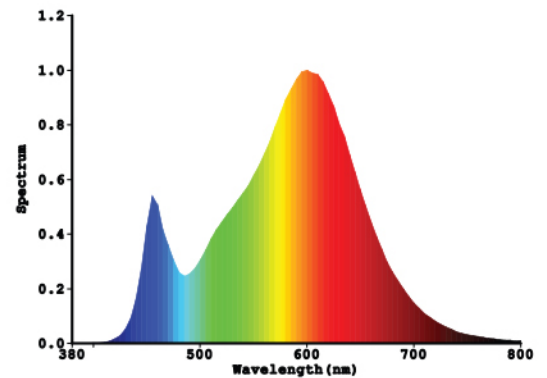
Flux: 1557.6 lm Fe: 4.7253 W Efficacy: 78.95 lm/W

#### Electrical Parameters:

Luminaire: U=110.2V I=0.1854A P=19.73W PF=0.9651

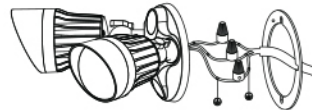
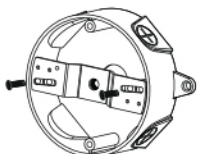
#### Instrument Status:

Scan Range: 380.0nm-800.0nm Interval: 5.0nm [0]  $I_p=17590(G=4, D=56)$   
 REF=53458(R=3) %=-0.135% PMT: 30.1 centigrade [150.0]



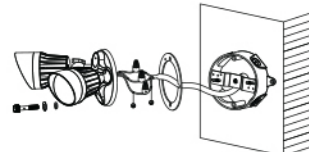
### INSTALLATION METHOD:

1. Installing the cross bar



2. Wiring the light fixture

3. Mounting the light fixture



4. Caulking around the light fixture