

## S2-B

### Socket for 8-pin Relays and Time Cubes

**Rated Load** **10 A / 300 V**

**Specifications**

Rated impulse withstand voltage	2.5 kV rms / 1 min
- All terminals / DIN rail	2.5 kV rms / 1 min
- Terminal / Terminal	2.5 kV rms / 1 min
Cross-section of connecting wire	
- Single-wire	4 mm <sup>2</sup> / AWG 12 or 2 x 2.5 mm <sup>2</sup> / AWG 14
- Multi-wire	0.34 mm <sup>2</sup> / AWG 22 - 2.5 mm <sup>2</sup> / AWG 14
Nominal screw torque	0.7 Nm
Screw dimensions	M3 Pozi slot
Mounting	TS-35 or Back Panel Mounting
Ambient temperature operation / storage	-40...60 °C / -40 ... 80 °C (no ice)
Weight	48g

**Included Accessories**

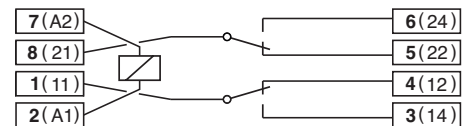
Retaining Clip, plastic S30-CM for C2 / C2x Relays

**Optional Accessories**

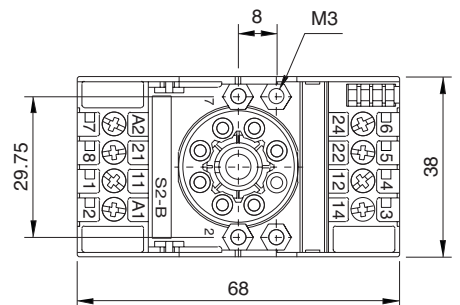
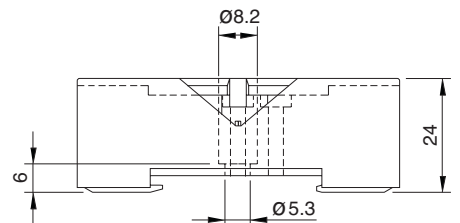
Retaining clip, steel HF-32 (BAG 10 PCS) for C2 / C2x Relays  
HF-33 (BAG 10 PCS) for Time Cube CTx



**Connection diagram**



**Dimensions [mm]**



**Technical approvals, conformities**

