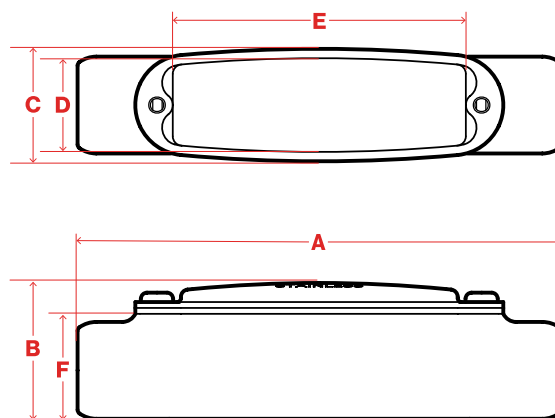


C Conduit Body



Stainless



Description

Robroy Stainless Conduit Bodies are designed to withstand harsh corrosive environments. Conduit bodies are 316 stainless steel and are used to change the direction of conduit and make wiring pulls and connections. Traditional conduit bodies come with a stamped stainless cover and nitrile gasket. Contoured design of conduit bodies allows for larger cubic capacity without increasing the total weight of the fitting.

Standards

- cULus Listed
- UL 514B
- CSA C22.2 No. 18.1-04
- TYPE 4X
- UL File Number: E231035

Catalog No.	Description	Weight Each (lbs.)	A Overall Length (in.)	B Overall Height (in.)	C Overall Width (in.)	D Width of Opening (in.)	E Length of Opening (in.)	F Body Height (in.)
RSC116	C Conduit Body 1/2 Inch 316	1.41	6.45	1.84	1.50	1.25	3.91	1.43
RSC216	C Conduit Body 3/4 Inch 316	1.95	7.18	2.30	1.76	1.48	4.48	1.84
RSC316	C Conduit Body 1 Inch 316	2.68	8.27	2.50	2.06	1.75	5.30	1.97
RSC416	C Conduit Body 1-1/4 Inch 316	4.08	9.03	2.78	2.46	2.15	5.94	2.50
RSC516	C Conduit Body 1-1/2 Inch 316	4.78	10.10	2.95	2.74	2.43	7.00	2.63
RSC616	C Conduit Body 2 Inch 316	7.88	11.70	3.95	3.46	3.15	8.32	3.63