



# QTE LED Floodlight



Catalog Number
Notes
Type

Hit the Tab key or mouse over the page to see all interactive elements.

## Introduction

QTE LED is a family of cost effective, energy efficient floodlights. These are the ideal replacements for up to 500W Quartz Halogen floodlights, and deliver energy savings of up to 85% with over 10 years of service life. QTE LED floodlights are great for illuminating yards, driveways, buildings, billboards and signage, and for general flood lighting.

## Ordering Information

**EXAMPLE:** QTE LED P1 40K 120 THK DDB

QTE LED			120		
Series	Performance Package	Color Temperature	Voltage	Mounting	Finish <i>(required)</i>
QTE LED	P1 2,500 lumens, 25W <sup>1</sup>	40K 4000K * 50K 5000K	120 120 Volts	YK Yoke mount <sup>2</sup>	DDB Dark bronze

\*Nominal correlated color temperature per ANSI C78-377-2015

### NOTES

1. QTE LED P1 version, can be used for submission to Title 24 applications.
2. Yoke mount is not available with P1.

## FEATURES & SPECIFICATIONS

### INTENDED USE

QTE LED is suitable for replacing up to 500W Quartz Halogen. It is ideal for landscape, signage, and general purpose lighting in commercial and residential applications.

### CONSTRUCTION

Die-cast aluminum housing has integral heat sink fins to optimize thermal management. Rated for -40°C to 40°C ambient temperature. Tempered glass lens is fully gasketed.

Available with knuckle and yoke mount.

### FINISH

Durable powder coat finish for protection from corrosion and weathering. Available in dark bronze.

### ELECTRICAL

Chip-on-board (COB) LEDs are directly coupled to the housing to maximize heat dissipation and lifespan (L70 / 50,000 hrs). 6kV surge protection.

### INSTALLATION

Mounts easily to junction box or under building eave. Suitable for ground mount applications.

### LISTINGS

UL Certified to US and Canadian safety standards. Wet location listed.

DesignLights Consortium® (DLC) qualified product. Not all versions of this product may be DLC qualified. Please check the DLC Qualified Products List at [www.designlights.org/QPL](http://www.designlights.org/QPL) to confirm which versions are qualified. Can be used to comply with California Title 24 Part 6 High Efficacy LED light Source Requirements.

### WARRANTY

5-year limited warranty. This is the only warranty provided and no other statements in this specification sheet create any warranty of any kind. All other express and implied warranties are disclaimed. Complete warranty terms located at: [www.acuitybrands.com/support/warranty/terms-and-conditions](http://www.acuitybrands.com/support/warranty/terms-and-conditions)

**Note:** Actual performance may differ as a result of end-user environment and application. All values are design or typical values, measured under laboratory conditions at 25 °C. Specifications subject to change without notice.



COMMERCIAL OUTDOOR

One Lithonia Way • Conyers, Georgia 30012 • Phone: 800-705-SERV (7378) • [www.lithonia.com](http://www.lithonia.com)  
© 2018-2022 Acuity Brands Lighting, Inc. All rights reserved

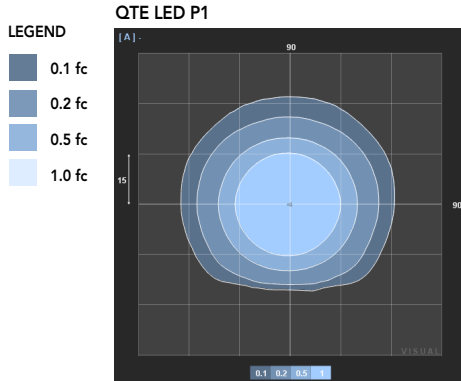
QTE LED  
Rev. 06/16/22  
Page 1 of 2

## Performance Data

	Lumen Output	Input Power	Efficacy (Lumens per Watt)
QTE LED P1	2,500	24W	104

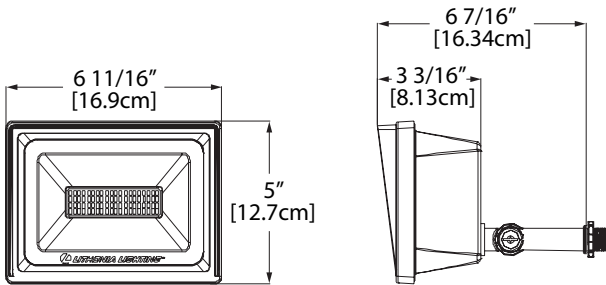
## Photometric Diagrams

Full photometric data report available within 2 weeks from request. Contact [Acuity Tech Support](#).

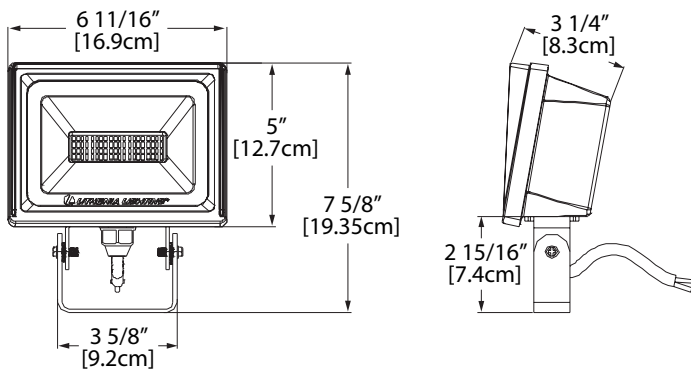


## Dimensions

QTE P1



QTE P1





# QTE LED Floodlight



Catalog Number
Notes
Type

Hit the Tab key or mouse over the page to see all interactive elements.

## Introduction

QTE LED is a family of cost effective, energy efficient floodlights. These are the ideal replacements for up to 500W Quartz Halogen floodlights, and deliver energy savings of up to 85% with over 10 years of service life. QTE LED floodlights are great for illuminating yards, driveways, buildings, billboards and signage, and for general flood lighting.

## Ordering Information

**EXAMPLE:** QTE LED P1 40K 120 THK DDB

QTE LED			120		
Series	Performance Package	Color Temperature	Voltage	Mounting	Finish <i>(required)</i>
QTE LED	P1 2,500 lumens, 25W <sup>1</sup>	40K 4000K * 50K 5000K	120 120 Volts	YK Yoke mount <sup>2</sup>	DDB Dark bronze

\*Nominal correlated color temperature per ANSI C78-377-2015

### NOTES

1. QTE LED P1 version, can be used for submission to Title 24 applications.
2. Yoke mount is not available with P1.

## FEATURES & SPECIFICATIONS

### INTENDED USE

QTE LED is suitable for replacing up to 500W Quartz Halogen. It is ideal for landscape, signage, and general purpose lighting in commercial and residential applications.

### CONSTRUCTION

Die-cast aluminum housing has integral heat sink fins to optimize thermal management. Rated for -40°C to 40°C ambient temperature. Tempered glass lens is fully gasketed.

Available with knuckle and yoke mount.

### FINISH

Durable powder coat finish for protection from corrosion and weathering. Available in dark bronze.

### ELECTRICAL

Chip-on-board (COB) LEDs are directly coupled to the housing to maximize heat dissipation and lifespan (L70 / 50,000 hrs). 6kV surge protection.

### INSTALLATION

Mounts easily to junction box or under building eave. Suitable for ground mount applications.

### LISTINGS

UL Certified to US and Canadian safety standards. Wet location listed.

DesignLights Consortium® (DLC) qualified product. Not all versions of this product may be DLC qualified. Please check the DLC Qualified Products List at [www.designlights.org/QPL](http://www.designlights.org/QPL) to confirm which versions are qualified. Can be used to comply with California Title 24 Part 6 High Efficacy LED light Source Requirements.

### WARRANTY

5-year limited warranty. This is the only warranty provided and no other statements in this specification sheet create any warranty of any kind. All other express and implied warranties are disclaimed. Complete warranty terms located at: [www.acuitybrands.com/support/warranty/terms-and-conditions](http://www.acuitybrands.com/support/warranty/terms-and-conditions)

**Note:** Actual performance may differ as a result of end-user environment and application. All values are design or typical values, measured under laboratory conditions at 25 °C. Specifications subject to change without notice.



COMMERCIAL OUTDOOR

One Lithonia Way • Conyers, Georgia 30012 • Phone: 800-705-SERV (7378) • [www.lithonia.com](http://www.lithonia.com)  
© 2018-2022 Acuity Brands Lighting, Inc. All rights reserved

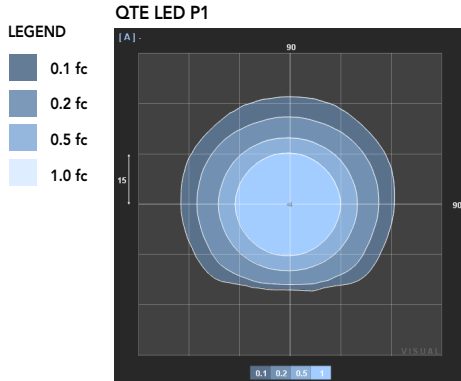
QTE LED  
Rev. 06/16/22  
Page 1 of 2

## Performance Data

	Lumen Output	Input Power	Efficacy (Lumens per Watt)
QTE LED P1	2,500	24W	104

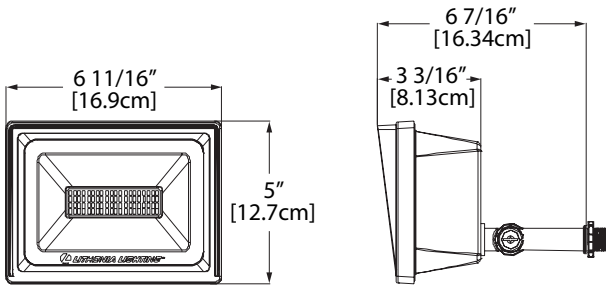
## Photometric Diagrams

Full photometric data report available within 2 weeks from request. Contact [Acuity Tech Support](#).



## Dimensions

QTE P1



QTE P1

