

**Miniature Circuit Breakers**

**Selection Guide** ..... 2

**QUICKLAG® Industrial Circuit Breakers**

Circuit Breakers, Plug-on Types HQP, QPHW, QHPX, QHPW ..... 5

Ground Fault Circuit Breakers, Plug-on Types QPGF, QPHGF ..... 6

Ground Fault Equipment Protectors, Plug-on Types QPGFEP, QPHGFEP ..... 6

Circuit Breakers, Bolt-on Types BA, QBHW, HBAX, HBAW ..... 7

Ground Fault Circuit Breakers, Bolt-on Types QBGF, QBHGF ..... 8

Ground Fault Equipment Protectors, Bolt-on Types QBGFEP, QBHGFEP ..... 8

Circuit Breakers, Cable-in/Cable-out

1-Inch per Pole Types QC, QCHW, QHCX, QHCW ... 9

1/2-Inch per Pole Types QCR, QCF, QCRH, QCFH ... 10

Ground Fault Circuit Breakers, Cable-in/Cable-out Types QCGF, QCHGF ..... 13

Ground Fault Equipment Protectors, Cable-in/Cable-out Types QPGFEP, QCHGFEP ..... 13

Solenoid-operated, Remote-controlled Types GHBS, GBHS ..... 14

International Rated Circuit Breakers ..... 16

Special Application Breakers ..... 17

Accessories ..... 18

Factory Modifications, Factory Installed Terminals ... 19

**Supplementary Protectors**

Type SPCL Current Limiting ..... 20

Type SPHM Hydraulic Magnetic ..... 23

**Molded Case Circuit Breakers**

**Selection Guide** ..... 3

**Series C Circuit Breakers**

G-Frame ..... 25

F-Frame ..... 31

J-Frame ..... 37

K-Frame ..... 43

L-Frame ..... 55

M-Frame ..... 67

N-Frame ..... 75

R-Frame ..... 89

**Specific Application Circuit Breakers**

Motor Circuit Protectors ..... 107

Earth Leakage ..... 113

Current Limiting

Non-fused ..... 115

Fused ..... 117

Engine Generator ..... 129

Direct Current ..... 133

Mining Service ..... See CD-ROM SA.74A.01.T.E

Navy ..... See CD-ROM SA.74A.01.T.E

**Add-on Ground Fault Protection** ..... 135

**Internal Accessories**

Alarm Switch ..... 139

Auxiliary Switch ..... 142

Auxiliary and Alarm Switch Combination ..... 145

Shunt Trip ..... 147

Low Energy Shunt Trip ..... 152

Undervoltage Release Mechanism ..... 153

Terminal Block ..... 160

Communication Kits ..... 160

**External Accessories**

Termination Hardware ..... 161

Mounting Hardware ..... 163

Locking Devices ..... 168

Interlocking Devices ..... 170

Electric Operators ..... 172

Plug-in Adapters ..... 174

Rear Connecting Studs ..... 175

Panelboard Connecting Straps ..... 177

Handle Mechanisms ..... 178

**Circuit Breaker Enclosures** ..... 187

**Standards** ..... 191

**Circuit Breaker Electronic Catalog**  
Navigation Chart of Attached CD-ROM ..... 192



- Product Guide
- Selection Data
- Time Current Curves
- Dimensions

Website: [www.cutlerhammer.eaton.com](http://www.cutlerhammer.eaton.com)

Copyright Cutler-Hammer Inc., 1999.  
All Rights Reserved.

Circuit Breaker Type	Circuit Breaker Type Code	Cont. Ampere Rating At 40°C	Number of Poles	Volts		Federal Spec. W-C-375b	Interrupting Ratings rms Symmetrical Amperes						Page Number
				Ac	Dc		Ac Ratings Volts			Dc <sup>②</sup>			
							120	120/240	240	24-48	62.5	80	

### Quicklag Industrial Circuit Breakers<sup>①</sup>

#### Plug-in, Bolt-on, Cable-in/Cable-out

HQP	P	10-70	1	120/240	24, 48, 62.5	10a, 11a, 12a	—	10,000	—	5,000	③	—	5
HQP		10-125	2	120/240	24, 48, 80	10a, 12a	—	10,000	—	5,000	5,000	5,000	5
HQP		10-100	2, 3	240	—	10b, 11b, 12b	—	—	10,000	—	—	—	5
QPHW	P	15-70	1	120/240	24, 48, 62.5	14a	—	22,000	—	5,000	③	—	5
QPHW		15-125	2	120/240	24, 48, 80	14a	—	22,000	—	5,000	5,000	5,000	5
QPHW		15-100	2, 3	240	—	14b	—	—	22,000	—	—	—	5
QHPX	P	15-70	1	120/240	24, 48, 62.5	—	—	42,000	—	5,000	③	—	5
QHPX		15-100	2	120/240	24, 48, 80	—	—	42,000	—	5,000	5,000	5,000	5
QHPX		15-100	3	240	—	—	—	—	42,000	—	—	—	5
QHPW	P	15-30	1	120/240	24, 48, 62.5	15a	—	65,000	—	5,000	③	—	5
QHPW		15-30	2	120/240	24, 48, 80	15a	—	65,000	—	5,000	5,000	5,000	5
QHPW		15-20	3	240	—	15b	—	—	65,000	—	—	—	5
QPGF	P, GF	15-40	1	120	—	10a, 11a, 12a	10,000	—	—	—	—	—	6
QPGF		15-50	2	120/240	—	10a, 11a, 12a	—	10,000	—	—	—	—	6
QPHGF	P, GF	15-30	1	120	—	10a, 11a, 12a	22,000	—	—	—	—	—	6
QPHGF		15-50	2	120/240	—	10a, 11a, 12a	—	22,000	—	—	—	—	6
QPGFEP	P, GFEP	15-40	1	120	—	—	10,000	—	—	—	—	—	6
QPGFEP		15-50	2	120/240	—	—	—	10,000	—	—	—	—	6
QPHGFEP	P, GFEP	15-30	1	120	—	—	22,000	—	—	—	—	—	6
QPHGFEP		15-30	2	120/240	—	—	22,000	22,000	—	—	—	—	6
BAB	B	10-70	1	120/240	24, 48, 62.5	10a, 11a, 12a	—	10,000	—	5,000	③	—	7
BAB		10-125	2	120/240	24, 48, 80	10a, 12a	—	10,000	—	5,000	5,000	5,000	7
BAB		10-100	2, 3	240	—	10b, 11b, 12b	—	—	10,000	—	—	—	7
QBHW	B	15-70	1	120/240	24, 48, 62.5	14a	—	22,000	—	5,000	③	—	7
QBHW		15-125	2	120/240	24, 48, 80	14a	—	22,000	—	5,000	5,000	5,000	7
QBHW		15-100	2, 3	240	—	14b	—	—	22,000	—	—	—	7
HBAX	B	15-70	1	120/240	24, 48, 62.5	—	—	42,000	—	5,000	③	—	7
HBAX		15-100	2	120/240	24, 48, 80	—	—	42,000	—	5,000	5,000	5,000	7
HBAX		15-100	3	240	—	—	—	—	42,000	—	—	—	7
HBAW	B	15-30	1	120/240	24, 48, 62.5	15a	—	65,000	—	5,000	③	—	7
HBAW		15-30	2	120/240	24, 48, 80	15a	—	65,000	—	5,000	5,000	5,000	7
HBAW		15-20	3	240	—	15b	—	—	65,000	—	—	—	7
QBGf	B, GF	15-40	1	120	—	10a, 11a, 12a	10,000	—	—	—	—	—	8
QBGf		15-50	2	120/240	—	10a, 11a, 12a	—	10,000	—	—	—	—	8
QBHGf	B, GF	15-30	1	120	—	10a, 11a, 12a	22,000	—	—	—	—	—	8
QBHGf		15-30	2	120/240	—	10a, 11a, 12a	—	22,000	—	—	—	—	8
QBGfEP	B, GFEP	15-40	1	120	—	—	10,000	—	—	—	—	—	8
QBGfEP		15-50	2	120/240	—	—	—	10,000	—	—	—	—	8
QBHGfEP	B, GFEP	15-30	1	120	—	—	22,000	—	—	—	—	—	8
QBHGfEP		15-30	2	120/240	—	—	22,000	22,000	—	—	—	—	8
QC	C	10-70	1	120/240	24, 48, 62.5	10a, 11a, 12a	—	10,000	—	5,000	③	—	9
QC		10-100	2	120/240	24, 48, 80	10a, 12a	—	10,000	—	5,000	5,000	5,000	9
QC		10-100	2, 3, 4	240	—	10b, 11b, 12b	—	—	10,000	—	—	—	9
QCF	C	10-60	1, 2	120/240	24, 48, 62.5	—	10,000	10,000	—	3,000	③	—	10
QCF		15-20	1, 2	120/240	24, 48, 62.5	—	22,000	—	—	3,000	3,000	—	10
QCF		15-30	2, 3	240	24, 48, 62.5	—	—	10,000	—	3,000	3,000	—	10
QCR		10-60	1, 2	120/240	24, 48, 62.5	—	10,000	10,000	—	3,000	2,000	—	10
QCR		15-20	1, 2	120/240	24, 48, 62.5	—	22,000	—	—	3,000	3,000	—	10
QCR		15-30	2, 3	240	24, 48, 62.5	—	—	10,000	—	3,000	3,000	—	10
QCHW	C	15-70	1	120/240	24, 48, 62.5	14a	—	22,000	—	5,000	③	—	9
QCHW		15-100	2	120/240	24, 48, 80	14a	—	22,000	—	5,000	5,000	5,000	9
QCHW		15-100	2, 3	240	—	14b	—	—	22,000	—	—	—	9
QHCX	C	15-70	1	120/240	24, 48, 62.5	—	—	42,000	—	5,000	③	—	9
QHCX		15-100	2	120/240	24, 48, 80	—	—	42,000	—	5,000	5,000	5,000	9
QHCX		15-100	3	240	—	—	—	—	42,000	—	—	—	9
QHCW	C	15-30	1	120/240	24, 48, 62.5	15a	—	65,000	—	5,000	③	—	9
QHCW		15-30	2	120/240	24, 48, 80	15a	—	65,000	—	5,000	5,000	5,000	9
QHCW		15-20	3	240	—	15b	—	—	65,000	—	—	—	9
QCGF	C, GF	15-40	1	120	—	—	10,000	—	—	—	—	—	13
QCGF		15-50	2	120/240	—	—	—	10,000	—	—	—	—	13
QCHGF	C, GF	15-30	1	120	—	—	22,000	—	—	—	—	—	13
QCHGF		15-30	2	120/240	—	—	—	22,000	—	—	—	—	13
QCGFEP	C, GFEP	15-40	1	120	—	—	10,000	—	—	—	—	—	13
QCGFEP		15-50	2	120/240	—	—	—	10,000	—	—	—	—	13
QCHGFEP	C, GFEP	15-30	1	120	—	—	22,000	—	—	—	—	—	13
QCHGFEP		15-30	2	120/240	—	—	—	22,000	—	—	—	—	13

Circuit Breaker Type Codes: P Plug-in; B Bolt-on; C Cable-in/Cable-out; GF Ground Fault, 5 ma; GFEP Ground Fault, 30 ma.

For Types SPCL and SPHM Supplementary Protectors, see pages 20 and 23.

For Types GHBS and GBHS Solenoid-operated, Remote-controlled Circuit Breakers, see page 14.

① QUICKLAG circuit breakers are suitable for application in relative humidity 0-95% non-condensating.

② Two-pole dc interrupting ratings based on 2 poles connected in series.

③ 62.5 Vac interrupting rating is 3800 AIC 10-50 amperes and 2500 AIC 55-100 amperes continuous.

Circuit Breaker Type	Cont. Amp Rating At 40°C	No. Poles	Volts		Type of Trip <sup>①</sup>	Federal Spec. W-C-375b	UL Listed Interrupting Ratings rms Symmetrical Amperes									Page Number
			Ac	Dc			Ac Ratings Volts						Dc <sup>②</sup>			
							120	120/240	240	277	480	600	125	250	125/250	

**Series C<sup>®</sup> Industrial Circuit Breakers**  
**G-Frame**

GB	15-100	1	120	125	N.I.T.	11a	65,000	-	-	-	-	-	14,000	-	-	27
GB	15-100	2, 3	240	125/250		10b, 11b, 12b, 14b, 15b	-	-	65,000	-	-	-	-	-	14,000	27
GHB	15-100	1	120	125	N.I.T.	11a	65,000	-	-	-	-	-	14,000	-	-	27
GHB	15-100	2, 3	240	125/250		10b, 11b, 12b, 14b, 15b	-	-	65,000	-	-	-	-	-	14,000	27
GHB	15-100	1	277	125		12b, 13a	-	-	-	14,000	-	-	14,000	-	-	27
GHB	15-100	2, 3	277/480	125/250		12c, 13a 13b	-	-	-	14,000	14,000	-	-	-	14,000	27

GC	15-100	1	120	125	N.I.T.	11a	65,000	-	-	-	-	-	14,000	-	-	28
GC	15-100	2, 3	240	125/250		10b, 11b, 12b, 14b, 15b	-	-	65,000	-	-	-	-	-	14,000	28
GHC	15-100	1	120	125	N.I.T.	12c, 13a	65,000	-	-	-	-	-	14,000	-	-	28
GHC	15-100	2, 3	240	125/250		13b	-	-	65,000	-	-	-	-	-	14,000	28
GHC	15-100	1	277	125		12c, 13a	-	-	-	14,000	-	-	14,000	-	-	28
GHC	15-100	2, 3	277/480	125/250		13b	-	-	-	14,000	14,000	-	-	-	14,000	28

**F-Frame**

GD	15-100	3	480	250	N.I.T.	13b	-	-	65,000	-	22,000	-	-	10,000	-	26
ED	100-255	2, 3	240	125	N.I.T.	12b	-	-	65,000	-	-	-	10,000	-	-	32
EDH	100-255	2, 3	240	125		14b	-	-	100,000	-	-	-	10,000	-	-	32
EDC	100-255	2, 3	240	125		1	-	-	200,000	-	-	-	10,000	-	-	32
EHD	15-100	1	277	125	N.I.T.	13a	-	-	-	14,000	-	-	10,000	-	-	32
EHD	15-100	2, 3	480	250		13b	-	-	18,000	-	14,000	-	-	10,000	-	32
FDB	15-150	2, 3	600	250	N.I.T.	18a	-	-	18,000	-	14,000	14,000	-	10,000	-	32
FDB	15-150	4	600	250		③	-	-	18,000	-	14,000	14,000	-	10,000	-	32
FD	15-150	1	277	125	N.I.T.	13a	-	-	-	25,000	-	-	10,000	-	-	32
FD	15-150	2, 3	600	250		22a	-	-	65,000	-	25,000	18,000	-	10,000	-	32
FD	15-150	4	600	250		③	-	-	65,000	-	25,000	18,000	-	10,000	-	32
HFD	15-150	1	277	125	N.I.T.	13a	-	-	-	65,000	-	-	10,000	-	-	33
HFD	15-150	2, 3	600	250		22a	-	-	100,000	-	65,000	25,000	-	20,000	-	33
HFD	15-150	4	600	250		③	-	-	100,000	-	65,000	25,000	-	20,000	-	33
FDC	15-150	2, 3	600	250	N.I.T.	24a	-	-	200,000	-	100,000	35,000	-	20,000	-	33
FDC	15-150	4	600	250		③	-	-	200,000	-	100,000	35,000	-	20,000	-	33

**J-Frame**

JDB	70-250	2, 3	600	250	N.I.T.	22a	-	-	65,000	-	25,000	18,000	-	10,000	-	39
JD	70-250	2, 3, 4	600	250	I.T	22a	-	-	65,000	-	25,000	18,000	-	10,000	-	38
HJD	70-250	2, 3, 4	600	250	I.T	22a	-	-	100,000	-	65,000	25,000	-	22,000	-	38
JDC	70-250	2, 3, 4	600	250	I.T	22a	-	-	200,000	-	100,000	35,000	-	22,000	-	38

**K-Frame**

DK	250-400	2, 3	240	250	N.I.T.	14b	-	-	65,000	-	-	-	-	10,000	-	47
KDB	100-400	2, 3	600	250	N.I.T.	23a	-	-	65,000	-	35,000	25,000	-	10,000	-	47
KD	100-400	2, 3, 4	600	250	I.T	23a	-	-	65,000	-	35,000	25,000	-	10,000	-	45, 46, 49
CKD	100-400	2, 3, 4	600	250	I.T	23a	-	-	65,000	-	35,000	25,000	-	10,000	-	48, 50
HKD	100-400	2, 3, 4	600	250	I.T	23a	-	-	100,000	-	65,000	35,000	-	22,000	-	45, 46, 49
CHKD	100-400	2, 3, 4	600	250	I.T	23a	-	-	100,000	-	65,000	35,000	-	22,000	-	48, 50
KDC	100-400	2, 3, 4	600	250	I.T	23a	-	-	200,000	-	100,000	50,000	-	22,000	-	45, 46, 49

**L-Frame**

LDB	300-600	2, 3	600	250	N.I.T.	23a	-	-	65,000	-	35,000	25,000	-	22,000	-	58
LD	300-600	2, 3, 4	600	250	I.T	23a	-	-	65,000	-	35,000	25,000	-	22,000	-	57, 59
CLD	300-600	2, 3, 4	600	250	I.T	23a	-	-	65,000	-	35,000	25,000	-	22,000	-	58, 61
HLD	300-600	2, 3, 4	600	250	I.T	23a	-	-	100,000	-	65,000	35,000	-	25,000	-	57, 59
CHLD	300-600	2, 3, 4	600	250	I.T	23a	-	-	100,000	-	65,000	35,000	-	25,000	-	61
LDC	300-600	2, 3, 4	600	250	I.T	23a	-	-	200,000	-	100,000	50,000	-	25,000	-	57, 60
CLDC	300-600	2, 3, 4	600	250	I.T	23a	-	-	200,000	-	100,000	50,000	-	25,000	-	62

① N.I.T. is non-interchangeable trip unit and I.T. is interchangeable trip unit.

② Two-pole circuit breaker, or two poles of three-pole circuit breaker at 250 Vdc.

③ Not defined in W-C-375b.

## Selection Guide, Continued

Circuit Breaker Type	Cont. Amp Rating At 40°C	No. Poles	Volts		Type of Trip <sup>①</sup>	Federal Spec. W-C-375b	UL Listed Interrupting Ratings rms Symmetrical Amperes									Page Number
			Ac	Dc			Ac Ratings Volts						Dc <sup>②</sup>			
							120	120/240	240	277	480	600	125	250	125/250	
<b>Series C<sup>®</sup> Industrial Circuit Breakers</b>																
<b>M-Frame</b>																
MDL	300-800	2, 3	600	250	I.T.	23a	–	–	65,000	–	50,000	25,000	–	22,000	–	<a href="#">69, 70</a>
CMDL	300-800	2, 3	600	250	I.T.	23a	–	–	65,000	–	50,000	25,000	–	22,000	–	<a href="#">70</a>
HMDL	300-800	2, 3	600	250	I.T.	23a	–	–	100,000	–	65,000	35,000	–	25,000	–	<a href="#">69, 70</a>
CHMDL	300-800	2, 3	600	250	I.T.	23a	–	–	100,000	–	65,000	35,000	–	25,000	–	<a href="#">70</a>
<b>N-Frame</b>																
ND	600-1200	3, 4	600	–	N.I.T.	23A	–	–	65,000	–	50,000	25,000	–	–	–	<a href="#">77, 83</a>
CND	600-1200	3, 4	600	–	N.I.T.	23A	–	–	65,000	–	50,000	25,000	–	–	–	<a href="#">80, 84</a>
HND	600-1200	3, 4	600	–	N.I.T.	23A	–	–	100,000	–	65,000	35,000	–	–	–	<a href="#">78, 83</a>
CHND	600-1200	3, 4	600	–	N.I.T.	23A	–	–	100,000	–	65,000	35,000	–	–	–	<a href="#">81, 84</a>
NDC	600-1200	3, 4	600	–	N.I.T.	23A	–	–	200,000	–	100,000	50,000	–	–	–	<a href="#">79, 83</a>
CNDC	600-1200	3, 4	600	–	N.I.T.	23A	–	–	200,000	–	100,000	50,000	–	–	–	<a href="#">82, 84</a>
<b>R-Frame</b>																
RD 1600	800-1600	3, 4	600	–	N.I.T.	24a	–	–	125,000	–	65,000	50,000	–	–	–	<a href="#">91</a>
CRD 1600	800-1600	3, 4	600	–	N.I.T.	24a	–	–	125,000	–	65,000	50,000	–	–	–	<a href="#">93</a>
RD 2000	1000-2000	3, 4	600	–	N.I.T.	24a	–	–	125,000	–	65,000	50,000	–	–	–	<a href="#">91</a>
RD 2500	1000-2500	3, 4	600	–	N.I.T.	24a	–	–	200,000	–	65,000	50,000	–	–	–	<a href="#">91</a>
CRD 2000	1000-2000	3, 4	600	–	N.I.T.	24a	–	–	125,000	–	65,000	50,000	–	–	–	<a href="#">93</a>
RDC 1600	800-1600	3, 4	600	–	N.I.T.	25a	–	–	200,000	–	100,000	65,000	–	–	–	<a href="#">92</a>
CRDC 1600	800-1600	3, 4	600	–	N.I.T.	25a	–	–	200,000	–	100,000	65,000	–	–	–	<a href="#">93</a>
RDC 2000	1000-2000	3, 4	600	–	N.I.T.	25a	–	–	200,000	–	100,000	65,000	–	–	–	<a href="#">92</a>
RDC 2500	1000-2500	3, 4	600	–	N.I.T.	25a	–	–	200,000	–	100,000	65,000	–	–	–	<a href="#">92</a>
CRDC 2000	1000-2000	3, 4	600	–	N.I.T.	25a	–	–	200,000	–	100,000	65,000	–	–	–	<a href="#">93</a>
<b>Series C<sup>®</sup> HMCP Motor Circuit Protectors</b>																<a href="#">107</a>
<b>Current Limit R Current Limiting Circuit Breakers – Non-Fused Type</b>																
FCL	15-100	2, 3	480	–	N.I.T.	–	–	–	200,000	–	150,000	–	–	–	–	<a href="#">115</a>
LCL	125-400	2, 3	600	–	N.I.T.	–	–	–	200,000	–	200,000	100,000	–	–	–	<a href="#">116</a>
<b>Tri-Pac Current Limiting Circuit Breakers – Fused Type</b>																
FB	15-100	2, 3	600	250	N.I.T.	16a, 16b, 17a, 26a	–	–	200,000	–	200,000	200,000	–	–	100,000	<a href="#">117</a>
LA	70-400	2, 3	600	250	I.T.	16a, 16b, 17a, 26a	–	–	200,000	–	200,000	200,000	–	–	100,000	<a href="#">118</a>
NB	300-800	2, 3	600	250	I.T.	16b, 17a, 26a	–	–	200,000	–	200,000	200,000	–	–	100,000	<a href="#">119</a>
PB	600-1600	2, 3	600	250	I.T.	17a, 26a	–	–	200,000	–	200,000	200,000	–	–	100,000	<a href="#">120</a>

① N.I.T. is non-interchangeable trip unit and I.T. is interchangeable trip unit.

② Two-pole circuit breaker, or two poles of three-pole circuit breaker at 250 Vdc.

QUICKLAG Industrial Circuit Breakers Plug-on

Description

Built and Listed to UL 489

QUICKLAG Circuit Breakers  
Plug-on Type

- Type HQP: 10-150 Amperes, 10,000 AIC
- Type QPHW: 15-125 Amperes, 22,000 AIC
- Type QHPX: 15-100 Amperes, 42,000 AIC
- Type QHPW: 15-30 Amperes, 65,000 AIC



QUICKLAG Type HQP 1-Pole



QUICKLAG Type HQP 2-Pole



QUICKLAG Type HQP 3-Pole

Breaker Catalog Numbers

Continuous Ampere Rating at 40°C	Catalog Number			
	1-Pole <sup>①②</sup>		2-Pole <sup>①②</sup>	
	120/240 Vac		240 Vac	

QUICKLAG Type: HQP 10,000 Ampere I.C. Thermal-Magnetic Breakers

10	HQP1010	HQP2010	HQP2010H	HQP3010H
15	HQP1015 <sup>③④</sup>	HQP2015	HQP2015H	HQP3015H
20	HQP1020 <sup>③④</sup>	HQP2020	HQP2020H	HQP3020H
25	HQP1025	HQP2025	HQP2025H	HQP3025H
30	HQP1030	HQP2030	HQP2030H	HQP3030H
35	HQP1035	HQP2035	HQP2035H	HQP3035H
40	HQP1040	HQP2040	HQP2040H	HQP3040H
45	HQP1045	HQP2045	HQP2045H	HQP3045H
50	HQP1050	HQP2050	HQP2050H	HQP3050H
55	HQP1055	HQP2055	HQP2055H	HQP3055H
60	HQP1060	HQP2060	HQP2060H	HQP3060H
70	HQP1070	HQP2070	HQP2070H	HQP3070H
80	-	HQP2080	HQP2080H	HQP3080H
90	-	HQP2090	HQP2090H	HQP3090H
100	HQP1100	HQP2100	HQP2100H	HQP3100H
110	-	HQP2110	-	-
125	-	HQP2125	-	-
150	-	HQP2150	-	-

QUICKLAG Type: QPHW 22,000 Ampere I.C. Thermal-Magnetic Breakers

15	QPHW1015 <sup>③</sup>	QPHW2015	QPHW2015H	QPHW3015H
20	QPHW1020 <sup>③</sup>	QPHW2020	QPHW2020H	QPHW3020H
25	QPHW1025	QPHW2025	QPHW2025H	QPHW3025H
30	QPHW1030	QPHW2030	QPHW2030H	QPHW3030H
35	QPHW1035	QPHW2035	QPHW2035H	QPHW3035H
40	QPHW1040	QPHW2040	QPHW2040H	QPHW3040H
45	QPHW1045	QPHW2045	QPHW2045H	QPHW3045H
50	QPHW1050	QPHW2050	QPHW2050H	QPHW3050H
55	QPHW1055	QPHW2055	QPHW2055H	QPHW3055H
60	QPHW1060	QPHW2060	QPHW2060H	QPHW3060H
70	QPHW1070	QPHW2070	QPHW2070H	QPHW3070H
80	-	QPHW2080	QPHW2080H	QPHW3080H
90	-	QPHW2090	QPHW2090H	QPHW3090H
100	-	QPHW2100	QPHW2100H	QPHW3100H
110	-	QPHW2110	-	-
125	-	QPHW2125	-	-

QUICKLAG Type: QHPX 42,000 Ampere I.C. Thermal-Magnetic Breakers

15	QHPX1015 <sup>③</sup>	QHPX2015	-	QHPX3015H
20	QHPX1020 <sup>③</sup>	QHPX2020	-	QHPX3020H
25	QHPX1025	QHPX2025	-	QHPX3025H
30	QHPX1030	QHPX2030	-	QHPX3030H
35	QHPX1035	QHPX2035	-	QHPX3035H
40	QHPX1040	QHPX2040	-	QHPX3040H
45	QHPX1045	QHPX2045	-	QHPX3045H
50	QHPX1050	QHPX2050	-	QHPX3050H
55	QHPX1055	QHPX2055	-	QHPX3055H
60	QHPX1060	QHPX2060	-	QHPX3060H
70	QHPX1070	QHPX2070	-	QHPX3070H
80	-	QHPX2080	-	QHPX3080H
90	-	QHPX2090	-	QHPX3090H
100	-	QHPX2100	-	QHPX3100H

QUICKLAG Type: QHPW 65,000 Ampere I.C. Thermal-Magnetic Breakers

15	QHPW1015 <sup>③</sup>	QHPW2015	-	QHPW3015H
20	QHPW1020 <sup>③</sup>	QHPW2020	-	QHPW3020H
25	QHPW1025	QHPW2025	-	-
30	QHPW1030	QHPW2030	-	-

Shipping Data

Poles	Carton Quantity	Approximate Weight Lbs. (Kgs)	Dimensions Inches (mm)
1	24	9.000 (4.09)	12.500 (317.50) x 7.500 (190.50) x 5.000 (127.00)
2	12	9.000 (4.09)	12.500 (317.50) x 7.500 (190.50) x 5.000 (127.00)
3	8	9.000 (4.09)	12.500 (317.50) x 7.500 (190.50) x 5.000 (127.00)

- ① All products UL and CSA listed.
- ② All products 15-100A are HACR rated.
- ③ Switching duty rated for 120 Vac fluorescent light applications.
- ④ For special low-magnetic breaker order HQP1015L1 or HQP1020L1

**QUICKLAG Industrial Ground Fault Circuit Breakers and Equipment Protectors Plug-on**

## Description

### Plug-on Type

Built and Listed to UL 489

### QUICKLAG Ground Fault Circuit Breakers, Class A GFCI

Built and Tested to UL 943

### 5mA Trip Sensitivity

Type QPGF: 15-50 Amperes,  
10,000 AIC

Type QPHGF: 15-30 Amperes,  
22,000 AIC

### QUICKLAG Ground Fault Equipment Protectors

Built and Listed to UL 1053

### 30mA Trip Sensitivity

Type QPGFEP: 15-50 Amperes,  
10,000 AIC

Type QPHGFEP: 15-30 Amperes,  
22,000 AIC



QUICKLAG Type QPGF 1-Pole Ground Fault Circuit Breaker



QUICKLAG Type QPGF 2-Pole Ground Fault Circuit Breaker

### Shipping Data

Shipped individually or in carton quantities.

Poles	Carton Quantity	Approximate Weight Lbs. (Kgs)	Dimensions Inches (mm)
1	20	11.000 (4.99)	12.500 (317.50) x 6.500 (165.10) x 5.000 (127.00)
2	5	5.000 (2.29)	15.500 (393.70) x 6.000 (152.40) x 4.500 (114.30)

## Breaker Catalog Numbers

Continuous Ampere Rating at 40°C	Catalog Number	
	1-Pole	2-Pole
	120 Vac	120/240 Vac

### Ground Fault Circuit Breakers – 5mA Sensitivity

QUICKLAG Type: QPGF 10,000 Ampere I.C. Thermal-Magnetic Breakers

15	QPGF1015	QPGF2015
20	QPGF1020	QPGF2020
25	QPGF1025	QPGF2025
30	QPGF1030	QPGF2030
40	QPGF1040	QPGF2040
50	–	QPGF2050

### QUICKLAG Type: QPHGF 22,000 Ampere I.C. Thermal-Magnetic Breakers

15	QPHGF1015	QPHGF2015
20	QPHGF1020	QPHGF2020
25	QPHGF1025	QPHGF2025
30	QPHGF1030	QPHGF2030

### Ground Fault Equipment Protectors – 30mA Sensitivity

QUICKLAG Type: QPGFEP 10,000 Ampere I.C. Thermal-Magnetic Breakers

15	QPGFEP1015	QPGFEP2015
20	QPGFEP1020	QPGFEP2020
25	QPGFEP1025	QPGFEP2025
30	QPGFEP1030	QPGFEP2030
40	QPGFEP1040	QPGFEP2040
50	–	QPGFEP2050

### QUICKLAG Type: QPHGFEP 22,000 Ampere I.C. Thermal-Magnetic Breakers

15	QPHGFEP1015	QPHGFEP2015
20	QPHGFEP1020	QPHGFEP2020
25	QPHGFEP1025	QPHGFEP2025
30	QPHGFEP1030	QPHGFEP2030

### Special Application Ground Fault Circuit Protectors – 5mA Sensitivity

QUICKLAG Type: QPGF 10,000 Ampere I.C. with Bell Alarm (W1) or Auxiliary Switch (W2)

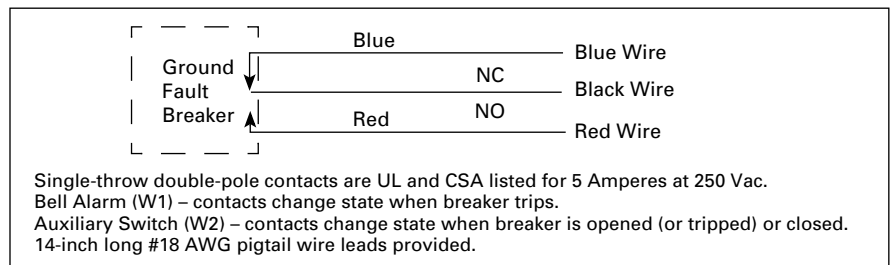
15	QPGF1015W1	QPGF2015W1
20	QPGF1020W1	QPGF2020W1
25	QPGF1025W1	QPGF2025W1
30	QPGF1030W1	QPGF2030W1
40	–	QPGF2040W1
50	–	QPGF2050W1
15	QPGF1015W2	–
20	QPGF1020W2	–
25	QPGF1025W2	–
30	QPGF1030W2	–

### Special Application Ground Fault Circuit Protectors – 30mA Sensitivity

QUICKLAG Type: QPGFEP 10,000 Ampere I.C. with Bell Alarm (W1) or Auxiliary Switch (W2)

15	QPGFEP1015W1	QPGFEP2015W1
20	QPGFEP1020W1	QPGFEP2020W1
25	QPGFEP1025W1	QPGFEP2025W1
30	QPGFEP1030W1	QPGFEP2030W1
40	–	QPGFEP2040W1
50	–	QPGFEP2050W1
15	QPGFEP1015W2	–
20	QPGFEP1020W2	–
25	QPGFEP1025W2	–
30	QPGFEP1030W2	–

### Bell Alarm and Auxiliary Contact Schematic





QUICKLAG Industrial Circuit Breakers Bolt-on

Description

Built and Listed to UL 489

QUICKLAG Circuit Breakers  
Bolt-on Type

Type BA: 10-125 Amperes,  
10,000 AIC

Type QBHW: 15-125 Amperes,  
22,000 AIC

Type HBAX: 15-100 Amperes,  
42,000 AIC

Type HBAW: 15-30 Amperes,  
65,000 AIC



QUICKLAG Type BA 1-Pole



QUICKLAG Type BA 2-Pole



QUICKLAG Type BA 3-Pole

Breaker Catalog Numbers

Continuous Ampere Rating at 40°C	Catalog Number			
	1-Pole <sup>①②</sup>	2-Pole <sup>①②</sup>		3-Pole <sup>①②</sup>
	120/240 Vac	120/240 Vac	240 Vac	240 Vac

QUICKLAG Type: BA 10,000 Ampere I.C. Thermal-Magnetic Breakers

10	BAB1010	BAB2010	BAB2010H	BAB3010H
15	BAB1015 <sup>③④</sup>	BAB2015	BAB2015H	BAB3015H
20	BAB1020 <sup>③④</sup>	BAB2020	BAB2020H	BAB3020H
25	BAB1025	BAB2025	BAB2025H	BAB3025H
30	BAB1030	BAB2030	BAB2030H	BAB3030H
35	BAB1035	BAB2035	BAB2035H	BAB3035H
40	BAB1040	BAB2040	BAB2040H	BAB3040H
45	BAB1045	BAB2045	BAB2045H	BAB3045H
50	BAB1050	BAB2050	BAB2050H	BAB3050H
55	BAB1055	BAB2055	BAB2055H	BAB3055H
60	BAB1060	BAB2060	BAB2060H	BAB3060H
70	BAB1070	BAB2070	BAB2070H	BAB3070H
80	-	BAB2080	BAB2080H	BAB3080H
90	-	BAB2090	BAB2090H	BAB3090H
100	BAB1100	BAB2100	BAB2100H	BAB3100H
110	-	BAB2110	-	-
125	-	BAB2125	-	-

QUICKLAG Type: QBHW 22,000 Ampere I.C. Thermal-Magnetic Breakers

15	QBHW1015 <sup>③</sup>	QBHW2015	QBHW2015H	QBHW3015H
20	QBHW1020 <sup>③</sup>	QBHW2020	QBHW2020H	QBHW3020H
25	QBHW1025	QBHW2025	QBHW2025H	QBHW3025H
30	QBHW1030	QBHW2030	QBHW2030H	QBHW3030H
35	QBHW1035	QBHW2035	QBHW2035H	QBHW3035H
40	QBHW1040	QBHW2040	QBHW2040H	QBHW3040H
45	QBHW1045	QBHW2045	QBHW2045H	QBHW3045H
50	QBHW1050	QBHW2050	QBHW2050H	QBHW3050H
55	QBHW1055	QBHW2055	QBHW2055H	QBHW3055H
60	QBHW1060	QBHW2060	QBHW2060H	QBHW3060H
70	QBHW1070	QBHW2070	QBHW2070H	QBHW3070H
80	-	QBHW2080	QBHW2080H	QBHW3080H
90	-	QBHW2090	QBHW2090H	QBHW3090H
100	-	QBHW2100	QBHW2100H	QBHW3100H
110	-	QBHW2110	-	-
125	-	QBHW2125	-	-

QUICKLAG Type: HBAX 42,000 Ampere I.C. Thermal-Magnetic Breakers

15	HBAX1015 <sup>③</sup>	HBAX2015	-	HBAX3015H
20	HBAX1020 <sup>③</sup>	HBAX2020	-	HBAX3020H
25	HBAX1025	HBAX2025	-	HBAX3025H
30	HBAX1030	HBAX2030	-	HBAX3030H
35	HBAX1035	HBAX2035	-	HBAX3035H
40	HBAX1040	HBAX2040	-	HBAX3040H
45	HBAX1045	HBAX2045	-	HBAX3045H
50	HBAX1050	HBAX2050	-	HBAX3050H
55	HBAX1055	HBAX2055	-	HBAX3055H
60	HBAX1060	HBAX2060	-	HBAX3060H
70	HBAX1070	HBAX2070	-	HBAX3070H
80	-	HBAX2080	-	HBAX3080H
90	-	HBAX2090	-	HBAX3090H
100	-	HBAX2100	-	HBAX3100H

QUICKLAG Type: HBAW 65,000 Ampere I.C. Thermal-Magnetic Breakers

15	HBAW1015 <sup>③</sup>	HBAW2015	-	HBAW3015H
20	HBAW1020 <sup>③</sup>	HBAW2020	-	HBAW3020H
25	HBAW1025	HBAW2025	-	-
30	HBAW1030	HBAW2030	-	-

Shipping Data

Poles	Carton Quantity	Approximate Weight Lbs. (Kgs)	Dimensions Inches (mm)
1	24	9.000 (4.09)	12.500 (317.50) x 7.500 (190.50) x 5.000 (127.00)
2	18	9.000 (4.09)	12.500 (317.50) x 7.500 (190.50) x 5.000 (127.00)
3	8	9.000 (4.09)	12.500 (317.50) x 7.500 (190.50) x 5.000 (127.00)

- ① All products UL and CSA listed.
- ② All products 15-100A are HACR rated.
- ③ Switching duty rated for 120 Vac fluorescent light applications.
- ④ For special low-magnetic breaker order BAB1015L1 or BAB1020L1.

## QUICKLAG Industrial Ground Fault Circuit Protectors Bolt-on

### Description

#### Bolt-on Type

Built and Listed to UL 489

#### QUICKLAG Ground Fault Circuit Breakers, Class A GFCI

Built and Tested to UL 943

#### 5mA Trip Sensitivity

Type QBGF: 15-50 Amperes,  
10,000 AIC

Type QBHGF: 15-30 Amperes,  
22,000 AIC

#### QUICKLAG Ground Fault Equipment Protectors

Built and Tested to UL 1053

#### 30mA Trip Sensitivity

Type QBGFEP: 15-50 Amperes,  
10,000 AIC

Type QBHGFEP: 15-30 Amperes,  
22,000 AIC



QUICKLAG Type QBGF 1-Pole  
Ground Fault Circuit Breaker



QUICKLAG Type QBGF 2-Pole  
Ground Fault Circuit Breaker

### Shipping Data

Poles	Carton Quantity	Approximate Weight Lbs. (Kgs)	Dimensions Inches (mm)
1	20	11.000 (4.99)	12.500 (317.50) x 6.500 (165.10) x 5.000 (127.00)
2	5	5.000 (2.29)	15.500 (393.70) x 6.000 (152.40) x 4.500 (114.30)

### Breaker Catalog Numbers

Continuous Ampere Rating at 40°C	Catalog Number	
	1-Pole	2-Pole
	120 Vac	120/240 Vac

#### Ground Fault Circuit Breakers – 5mA Sensitivity

QUICKLAG Type: QBGF 10,000 Ampere I.C. Thermal-Magnetic Breakers

15	QBGF1015	QBGF2015
20	QBGF1020	QBGF2020
25	QBGF1025	QBGF2025
30	QBGF1030	QBGF2030
40	QBGF1040	QBGF2040
50	–	QBGF2050

#### QUICKLAG Type: QBHGF 22,000 Ampere I.C. Thermal-Magnetic Breakers

15	QBHGF1015	QBHGF2015
20	QBHGF1020	QBHGF2020
25	QBHGF1025	QBHGF2025
30	QBHGF1030	QBHGF2030

#### Ground Fault Equipment Protectors – 30mA Sensitivity

QUICKLAG Type: QBGFEP 10,000 Ampere I.C. Thermal-Magnetic Breakers

15	QBGFEP1015	QBGFEP2015
20	QBGFEP1020	QBGFEP2020
25	QBGFEP1025	QBGFEP2025
30	QBGFEP1030	QBGFEP2030
40	QBGFEP1040	QBGFEP2040
50	–	QBGFEP2050

#### QUICKLAG Type: QBHGFEP 22,000 Ampere I.C. Thermal-Magnetic Breakers

15	QBHGFEP1015	QBHGFEP2015
20	QBHGFEP1020	QBHGFEP2020
25	QBHGFEP1025	QBHGFEP2025
30	QBHGFEP1030	QBHGFEP2030

#### Special Application Ground Fault Circuit Protectors – 5mA Sensitivity

QUICKLAG Type: QBGF 10,000 Ampere I.C. with Bell Alarm (W1) or Auxiliary Switch (W2)

15	QBGF1015W1	QBGF2015W1
20	QBGF1020W1	QBGF2020W1
25	QBGF1025W1	QBGF2025W1
30	QBGF1030W1	QBGF2030W1
40	–	QBGF2040W1
50	–	QBGF2050W1
15	QBGF1015W2	–
20	QBGF1020W2	–
25	QBGF1025W2	–
30	QBGF1030W2	–

#### Special Application Ground Fault Circuit Protectors – 30mA Sensitivity

QUICKLAG Type: QBGFEP 10,000 Ampere I.C. with Bell Alarm (W1) or Auxiliary Switch (W2)

15	QBGFEP1015W1	QBGFEP2015W1
20	QBGFEP1020W1	QBGFEP2020W1
25	QBGFEP1025W1	QBGFEP2025W1
30	QBGFEP1030W1	QBGFEP2030W1
40	–	QBGFEP2040W1
50	–	QBGFEP2050W1
15	QBGFEP1015W2	–
20	QBGFEP1020W2	–
25	QBGFEP1025W2	–
30	QBGFEP1030W2	–

### Bell Alarm and Auxiliary Contact Schematic



Single-throw double-pole contacts are UL and CSA listed for 5 Amperes at 250 Vac.

Bell Alarm (W1) – contacts change state when breaker trips.

Auxiliary Switch (W2) – contacts change state when breaker is opened (or tripped) or closed.  
14-inch long #18 AWG pigtail wire leads provided.



QUICKLAG Industrial Circuit Breakers Cable-in/Cable-out (1 inch per pole)

Description

Built and Listed to UL 489

QUICKLAG Circuit Breakers  
Cable-in/Cable-out Type

Type QC: 10-100 Amperes,  
10,000 AIC

Type QCHW: 15-100 Amperes,  
22,000 AIC

Type QHCX: 15-100 Amperes,  
42,000 AIC

Type QHCW: 15-30 Amperes,  
65,000 AIC



QUICKLAG Type QC 1-Pole



QUICKLAG Type QC 3-Pole



QUICKLAG Type QC 4-Pole

Breaker Catalog Numbers

Continuous Ampere Rating at 40°C	Catalog Number					
	1-Pole <sup>①②</sup>		2-Pole <sup>①②</sup>		3-Pole <sup>①②</sup>	4-Pole <sup>①②</sup>
	120/240 Vac		120/240 Vac	240 Vac	240 Vac	240 Vac

QUICKLAG Type: QC 10,000 Ampere I.C. Thermal-Magnetic Breakers

10	QC1010	QC2010	QC2010H	QC3010H	QC4010H
15	QC1015 <sup>③④</sup>	QC2015	QC2015H	QC3015H	QC4015H
20	QC1020 <sup>③④</sup>	QC2020	QC2020H	QC3020H	QC4020H
25	QC1025	QC2025	QC2025H	QC3025H	QC4025H
30	QC1030	QC2030	QC2030H	QC3030H	QC4030H
35	QC1035	QC2035	QC2035H	QC3035H	QC4035H
40	QC1040	QC2040	QC2040H	QC3040H	QC4040H
45	QC1045	QC2045	QC2045H	QC3045H	QC4045H
50	QC1050	QC2050	QC2050H	QC3050H	QC4050H
55	QC1055	QC2055	QC2055H	QC3055H	QC4055H
60	QC1060	QC2060	QC2060H	QC3060H	QC4060H
70	QC1070	QC2070	QC2070H	QC3070H	QC4070H
80	-	QC2080	QC2080H	QC3080H	QC4080H
90	-	QC2090	QC2090H	QC3090H	QC4090H
100	QC1100	QC2100	QC2100H	QC3100H	QC4100H

QUICKLAG Type: QCHW 22,000 Ampere I.C. Thermal-Magnetic Breakers

15	QCHW1015 <sup>③</sup>	QCHW2015	QCHW2015H	QCHW3015H	QCHW4015H
20	QCHW1020 <sup>③</sup>	QCHW2020	QCHW2020H	QCHW3020H	QCHW4020H
25	QCHW1025	QCHW2025	QCHW2025H	QCHW3025H	QCHW4025H
30	QCHW1030	QCHW2030	QCHW2030H	QCHW3030H	QCHW4030H
35	QCHW1035	QCHW2035	QCHW2035H	QCHW3035H	QCHW4035H
40	QCHW1040	QCHW2040	QCHW2040H	QCHW3040H	QCHW4040H
45	QCHW1045	QCHW2045	QCHW2045H	QCHW3045H	QCHW4045H
50	QCHW1050	QCHW2050	QCHW2050H	QCHW3050H	QCHW4050H
55	QCHW1055	QCHW2055	QCHW2055H	QCHW3055H	QCHW4055H
60	QCHW1060	QCHW2060	QCHW2060H	QCHW3060H	QCHW4060H
70	QCHW1070	QCHW2070	QCHW2070H	QCHW3070H	QCHW4070H
80	-	QCHW2080	QCHW2080H	QCHW3080H	QCHW4080H
90	-	QCHW2090	QCHW2090H	QCHW3090H	QCHW4090H
100	-	QCHW2100	QCHW2100H	QCHW3100H	QCHW4100H

QUICKLAG Type: QHCX 42,000 Ampere I.C. Thermal-Magnetic Breakers

15	QHCX1015 <sup>③</sup>	QHCX2015	-	QHCX3015H	-
20	QHCX1020 <sup>③</sup>	QHCX2020	-	QHCX3020H	-
25	QHCX1025	QHCX2025	-	QHCX3025H	-
30	QHCX1030	QHCX2030	-	QHCX3030H	-
35	QHCX1035	QHCX2035	-	QHCX3035H	-
40	QHCX1040	QHCX2040	-	QHCX3040H	-
45	QHCX1045	QHCX2045	-	QHCX3045H	-
50	QHCX1050	QHCX2050	-	QHCX3050H	-
55	QHCX1055	QHCX2055	-	QHCX3055H	-
60	QHCX1060	QHCX2060	-	QHCX3060H	-
70	QHCX1070	QHCX2070	-	QHCX3070H	-
80	-	QHCX2080	-	QHCX3080H	-
90	-	QHCX2090	-	QHCX3090H	-
100	-	QHCX2100	-	QHCX3100H	-

QUICKLAG Type: QHCW 65,000 Ampere I.C. Thermal-Magnetic Breakers

15	QHCW1015 <sup>③</sup>	QHCW2015	-	QHCW3015H	-
20	QHCW1020 <sup>③</sup>	QHCW2020	-	QHCW3020H	-
25	QHCW1025	QHCW2025	-	-	-
30	QHCW1030	QHCW2030	-	-	-

Shipping Data

Poles	Carton Quantity	Approximate Weight Lbs. (Kgs)	Dimensions Inches (mm)
1	24	9.000 (4.09)	12.500 (317.50) x 7.500 (190.50) x 5.000 (127.00)
2	18	9.000 (4.09)	12.500 (317.50) x 7.500 (190.50) x 5.000 (127.00)
3	8	9.000 (4.09)	12.500 (317.50) x 7.500 (190.50) x 5.000 (127.00)

① All products UL and CSA listed.  
 ② All products 10-100A are HACR rated.  
 ③ Switching duty rated for 120 Vac fluorescent light applications only.  
 ④ For special low-magnetic breaker order QC1015L1 or QC1020L1.

## QUICKLAG Industrial Circuit Breakers Cable-in/Cable-out (1/2 inch per pole)

### Description

#### Built and Listed to UL 489

Type QCR and QCF Circuit Breakers are UL listed Circuit Breakers that are suitable for use as branch circuit protectors.

### Applications

QCR and QCF Circuit Breakers are only 1/2-inch wide per pole and are excellent for general purpose industrial applications where space savings is required.

### Product Features and Ratings

- 1/2-inch wide per pole
- Cable-in/Cable-out
- Black cases with black handles
- Three position handle: ON, Tripped (center), OFF
- Thermal-Magnetic Protection
- UL File E7819
- CSA File LR48907
- One, two and three pole
- 10 kAIC at 120/240 Vac, 10-60 Amperes
- 22 kAIC at 120/240 Vac, 15-20 Amperes
- 10 kAIC at 240 Vac, 10-30 Amperes
- 3 kAIC at 62.5 Vdc (1 Pole)
- 3 kAIC at 130 Vdc (2 Poles in Series)
- Normal Operating Environment:  
0-40°C  
5-95% Humidity  
(Non-Condensating)

### Additional Ratings

In addition to the ratings shown for the 1/2-inch wide QCR and QCF, the complete QC breaker line includes:

- 1-4 Poles
- 5-100 Amperes
- 10 through 65 kAIC
- 120/240 and 240 Vac
- 1-inch per pole



1-Pole      2-Pole  
QCR (Rear-Mounted Breakers)



1-Pole      2-Pole  
QCF (Front-Mounted Breakers)



3-Pole  
QCR (Rear-Mounted Breakers)



3-Pole  
QCF (Front-Mounted Breakers)

Type QCR have as a standard feature provisions for 35mm DIN-Rail rear mounting with a spring-loaded rear mounting. Optional clips for individual mounting are available as a separate accessory.

Type QCF have two threaded steel inserts to facilitate front mounting with #6-32 steel screws. The clamp type terminals accessible from the rear of the breaker so that cables can be accessed without removal of the breaker from the front cover.



QCR 1-Pole Breaker with QCRMTGFT  
Clips (Qty. 2) Individually Mounted



QCF Breaker Front Panel Mounted

QUICKLAG Industrial Circuit Breakers Cable-in/Cable-out (1/2 inch per pole)

Breaker Catalog Numbers<sup>①②③④</sup>

Continuous Ampere Rating at 40°C	QCR Breaker 10 kAIC Interruption Ratings <sup>⑤</sup>				QCF Breaker 10 kAIC Interruption Ratings <sup>⑤</sup>			
	120/240 Vac		240 Vac <sup>⑥</sup>		120/240 Vac		240 Vac <sup>⑥</sup>	
	1-Pole	2-Pole	2-Pole	3-Pole	1-Pole	2-Pole	2-Pole	3-Pole
<b>QCR Breaker 10 kAIC Interruption Ratings<sup>⑤</sup></b>					<b>QCF Breaker 10 kAIC Interruption Ratings<sup>⑤</sup></b>			
10	QCR1010 QCR1010T —	QCR2010 QCR2010T QCR2010P	— — —	— — —	QCF1010 QCF1010T —	QCF2010 QCF2010T —	— — —	— — —
15	QCR1015 <sup>⑦</sup> QCR1015T <sup>⑦</sup> —	QCR2015 QCR2015T QCR2015P	QCR2015H QCR2015HT —	QCR3015H QCR3015HT —	QCF1015 <sup>②</sup> QCF1015T <sup>②</sup> —	QCF2015 QCF2015T —	QCF2015H QCF2015HT —	QCF3015H QCF3015HT —
20	QCR1020 <sup>⑦</sup> QCR1020T <sup>⑦</sup> —	QCR2020 QCR2020T QCR2020P	QCR2020H QCR2020HT —	QCR3020H QCR3020HT —	QCF1020 <sup>②</sup> QCF1020T <sup>②</sup> —	QCF2020 QCF2020T —	QCF2020H QCF2020HT —	QCF3020H QCF3020HT —
25	QCR1025 QCR1025T —	QCR2025 QCR2025T QCR2025P	QCR2025H QCR2025HT —	QCR3025H QCR3025HT —	QCF1025 QCF1025T —	QCF2025 QCF2025T —	QCF2025H QCF2025HT —	QCF3025H QCF3025HT —
30	QCR1030 QCR1030T —	QCR2030 QCR2030T QCR2030P	QCR2030H QCR2030HT —	QCR3030H QCR3030HT —	QCF1030 QCF1030T —	QCF2030 QCF2030T —	QCF2030H QCF2030HT —	QCF3030H QCF3030HT —
35	QCR1035 —	QCR2035 QCR2035P	— —	— —	QCF1035 —	QCF2035 —	— —	— —
40	QCR1040 —	QCR2040 QCR2040P	— —	— —	QCF1040 —	QCF2040 —	— —	— —
45	QCR1045 —	QCR2045 QCR2045P	— —	— —	QCF1045 —	QCF2045 —	— —	— —
50	QCR1050 —	QCR2050 QCR2050P	— —	— —	QCF1050 —	QCF2050 —	— —	— —
55	QCR1055 —	QCR2055 QCR2055P	— —	— —	QCF1055 —	QCF2055 —	— —	— —
60 <sup>⑧</sup>	QCR1060 —	QCR2060 QCR2060P	— —	— —	QCF1060 —	QCF2060 —	— —	— —
<b>QCR Breaker 22 kAIC Interruption Ratings</b>					<b>QCF Breaker 22 kAIC Interruption Ratings</b>			
15	QCRH1015 <sup>⑦</sup> QCRH1015T <sup>⑦</sup>	QCRH2015 QCRH2015T	— —	— —	QCFH1015 <sup>⑦</sup> QCFH1015T <sup>⑦</sup>	QCFH2015 QCFH2015T	— —	— —
20	QCRH1020 <sup>⑦</sup> QCRH1020T <sup>⑦</sup>	QCRH2020 QCRH2020T	— —	— —	QCFH1020 <sup>⑦</sup> QCFH1020T <sup>⑦</sup>	QCFH2020 QCFH2020T	— —	— —

Available QCR and QCF Breaker Accessories

Catalog Number	Description
QCRMTGFT	Steel mounting clip mounts QCR breaker if individual mounting is required. Quantity two required for 1- and 2-pole and four required for 3-pole breakers.
QCRFPL1P	Removable padlock device for single-pole QCR or QCF breaker.
QCRFPLMP	Removable padlock device for multi-pole QCR or QCF breaker.
QCRFLOFF	Padlock bracket assembly for QCR or QCF single or multi-pole breakers (off only).

① Standard breaker terminals are box type lugs.  
 ② Breakers with "T" Catalog Number Suffix are suitable for line and load side ring terminal connection (#10-32 plus/minus terminal screw provided).

③ Breakers with "P" Catalog Number Suffix are suitable for terminating 2 #10 AWG Quick-Connect Type Terminals per phase on breaker load side.  
 ④ Breakers with Shunt Trip Attachment (extra pole required on breaker right-hand side) are available. Contact Cutler-Hammer.  
 ⑤ All ratings 15 to 60 amperes are HACR rated.

⑥ Breakers with "H" Catalog Suffix have 240 Vac construction.  
 ⑦ All 15 and 20 ampere single-pole breakers are SWD (Switching Duty) rated for fluorescent lighting applications.  
 ⑧ 60/75°C Cu/Al wire on all ratings except 60 amperes which requires Cu only conductor.

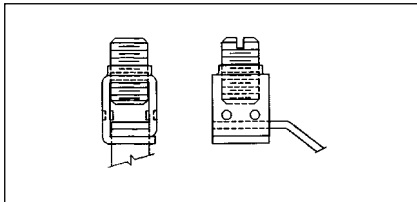
QUICKLAG Industrial Circuit Breakers Cable-in/Cable-out (1/2 inch per pole)

**QCR and QCF Breaker Factory Installed Terminals**



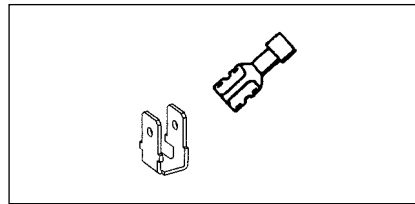
**QCR and QCF Standard Box Terminals**

Factory installed line and load side breaker terminal to accommodate #14 AWG to #4 AWG wire.



**QCR Quick-Connect Terminals**

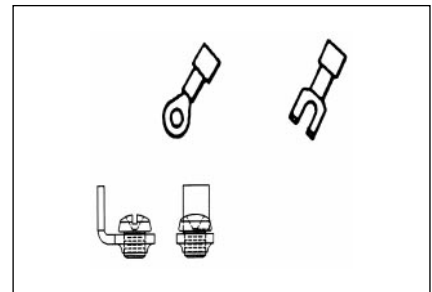
Factory installed two-prong quick-connect terminal on breaker load side suitable for terminating two #10 AWG wire with insulated slip-on terminals as shown. Line side terminal is the standard type.



Catalog Suffix "P"

**QCR and QCF Ring or Spade Lug Terminals**

(10 to 30 ampere ratings only): Factory installed line and load side terminals each equipped with a #10-32 screw suitable for terminating one #10 AWG wire with insulated ring or spade type terminal as shown.



Catalog Suffix "T"

**Description**

**Cable-in/Cable-out Type  
Built and Listed to UL 489**

**QUICKLAG Ground Fault  
Circuit Breakers, Class A GFCI  
Built and Tested to UL 943  
5mA Trip Sensitivity**

Type QCGF: 15-50 Amperes,  
10,000 AIC

Type QCHGF: 15-30 Amperes,  
22,000 AIC

**QUICKLAG Ground Fault  
Equipment Protectors  
Built and Tested to UL 1053  
30mA Trip Sensitivity**

Type QCGFEP: 15-50 Amperes,  
10,000 AIC

Type QCHGFEP: 15-30 Amperes,  
22,000 AIC



*QUICKLAG Type QCGF 1-Pole  
Ground Fault Circuit Breaker*



*QUICKLAG Type QCGF 2-Pole  
Ground Fault Circuit Breaker*

**Breaker Catalog Numbers**

Continuous Ampere Rating at 40°C	Catalog Number	
	1-Pole <sup>①</sup>	2-Pole <sup>①</sup>
	120 Vac	120/240 Vac

**Ground Fault Circuit Breakers – 5mA Sensitivity**  
QUICKLAG Type: QCGF 10,000 Ampere I.C. Thermal-Magnetic Breakers

15	QCGF1015	QCGF2015
20	QCGF1020	QCGF2020
25	QCGF1025	QCGF2025
30	QCGF1030	QCGF2030
40	QCGF1040	QCGF2040
50	–	QCGF2050

QUICKLAG Type: QCHGF 22,000 Ampere I.C. Thermal-Magnetic Breakers

15	QCHGF1015	QCHGF2015
20	QCHGF1020	QCHGF2020
25	QCHGF1025	QCHGF2025
30	QCHGF1030	QCHGF2030

**Ground Fault Equipment Protectors – 30mA Sensitivity**  
QUICKLAG Type: QCGFEP 10,000 Ampere I.C. Thermal-Magnetic Breakers

15	QCGFEP1015	QCGFEP2015
20	QCGFEP1020	QCGFEP2020
25	QCGFEP1025	QCGFEP2025
30	QCGFEP1030	QCGFEP2030
40	QCGFEP1040	QCGFEP2040
50	–	QCGFEP2050

QUICKLAG Type: QCHGFEP 22,000 Ampere I.C. Thermal-Magnetic Breakers

15	QCHGFEP1015	QCHGFEP2015
20	QCHGFEP1020	QCHGFEP2020
25	QCHGFEP1025	QCHGFEP2025
30	QCHGFEP1030	QCHGFEP2030

**Special Application Ground Fault Circuit Protector – 5mA Sensitivity**  
QUICKLAG Type: QCGF 10,000 Ampere I.C. with Bell Alarm (W1) or Auxiliary Switch (W2)

15	QCGF1015W1	QCGF2015W1
20	QCGF1020W1	QCGF2020W1
25	QCGF1025W1	QCGF2025W1
30	QCGF1030W1	QCGF2030W1
40	–	QCGF2040W1
50	–	QCGF2050W1
15	QCGF1015W2	–
20	QCGF1020W2	–
25	QCGF1025W2	–
30	QCGF1030W2	–

**Special Application Ground Fault Equipment Protectors – 30mA Sensitivity**  
QUICKLAG Type: QCGFEP 10,000 Ampere I.C. with Bell Alarm (W1) or Auxiliary Switch (W2)

15	QCGFEP1015W1	QCGFEP2015W1
20	QCGFEP1020W1	QCGFEP2020W1
25	QCGFEP1025W1	QCGFEP2025W1
30	QCGFEP1030W1	QCGFEP2030W1
40	–	QCGFEP2040W1
50	–	QCGFEP2050W1
15	QCGFEP1015W2	–
20	QCGFEP1020W2	–
25	QCGFEP1025W2	–
30	QCGFEP1030W2	–

**Shipping Data**

Poles	Carton Quantity	Approximate Weight Lbs. (Kgs)	Dimensions Inches (mm)
1	20	11.000 (4.99)	12.500 (317.50) x 6.500 (165.10) x 5.000 (127.00)
2	5	5.000 (2.29)	15.500 (393.70) x 6.000 (152.40) x 4.500 (114.30)

**Bell Alarm and Auxiliary Contact Schematic**



① All products UL and CSA listed.

## Types GHBS and GBHS Solenoid-Operated, Remote-Controlled

### Description

GHBS and GBHS circuit breakers are bolt-on branch circuit breakers designed for use in panelboards and are ideally suited for lighting control applications. In addition to providing conventional branch circuit protection, they include a unique solenoid-operated mechanism that provides for efficient breaker pulse-on and pulse-off operation when used with a suitable controller like the Cutler-Hammer Pow-R-Command lighting control system.

### Product Features

- Bolt-on Line-Side Terminal
- Cable Connected Load-Side Terminal
- 3-Prong Control Terminal (Common, Solenoid, Auxiliary Switch)
- Bi-Metal Assembly for Thermal Overload Protection
- Fast Acting Short Circuit Protection
- Arc-Runner and Arc-Chute Assembly for Fast Acting Arc Extinction
- Three Position Handle: OFF, TRIP (Center), ON
- Handle in "ON" Position Enables Remote Control
- Handle in "OFF" Position Disables Remote Control
- Handle Permits Manual Switching When Control Power is Lost
- Mechanical Trip Indicator Window (Red-ON, Green-OFF/TRIPPED)
- 15 and 20 Ampere Breakers SWD (Switching Duty) Rated
- HID Ratings for HID (High Intensity Discharge) Lighting
- Auxiliary Switch for Control Circuit Feedback



1-Pole



2-Pole

### GHBS UL 489 Interrupting Ratings

Circuit Breaker Type <sup>①</sup>	Number of Poles	Interrupting Capacity (Symmetrical Amperes)	Rating Amperes <sup>②</sup>		
			Volts Ac (50/60 Hz)		
			120	240	277/480
GHBS1015D	1	15	65,000	—	14,000
GHBS1020D	1	20	65,000	—	14,000
GHBS1030D	1	30	65,000	—	14,000
GHBS2015D	2	15	—	65,000	14,000
GHBS2020D	2	20	—	65,000	14,000
GHBS2030D	2	30	—	65,000	14,000

Instruction Leaflet/FRED Number 15546

### GBHS CSA 22.2 Interrupting Ratings

Circuit Breaker Type	Number of Poles	Interrupting Capacity (Symmetrical Amperes)	Rating Amperes <sup>②</sup>	
			Volts Ac (50/60 Hz)	
			347/600	
GBHS1015D	1	15	10,000	
GBHS1020D	1	20	10,000	
GBHS2015D	2	15	10,000	
GBHS2020D	2	20	10,000	



15-20 Amperes



30 Amperes

### Terminal Type

For load-side. Terminals are UL listed as suitable for wire type and size given below.

Circuit Breaker Amperes	Terminal Type	Screw Head Type	Wire Type	AWG Wire Range
15-20	Clamp	Slotted	Cu/Al	#14-#10
30	Box	Slotted	Cu/Al	#14-#2

### Dimensions Per Pole, Inches (mm)

Width	Height	Depth
1.000 (25.40)	4.125 (104.78)	2.810 (71.37)

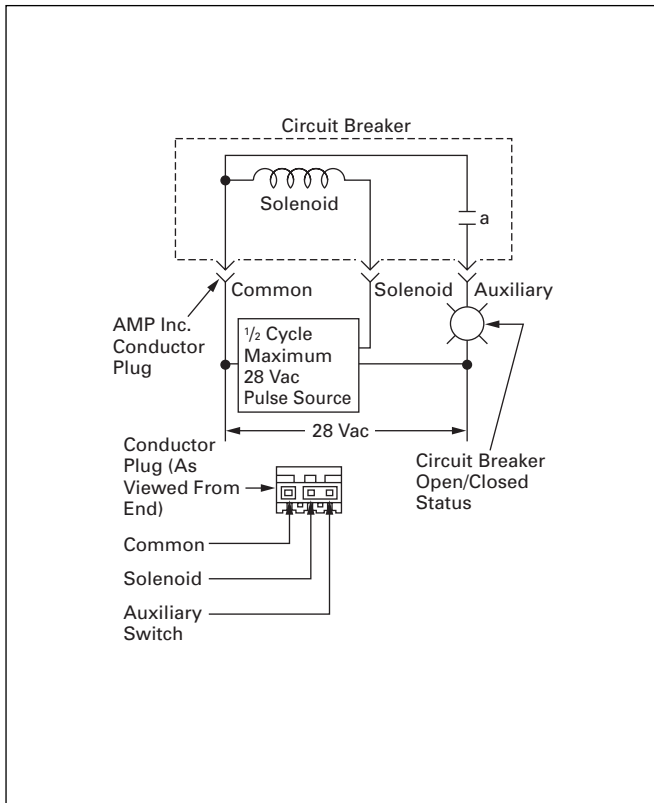
Dimensions in parentheses in millimeters.

① All UL listed circuit breakers are HID (High Intensity Discharge) rated.

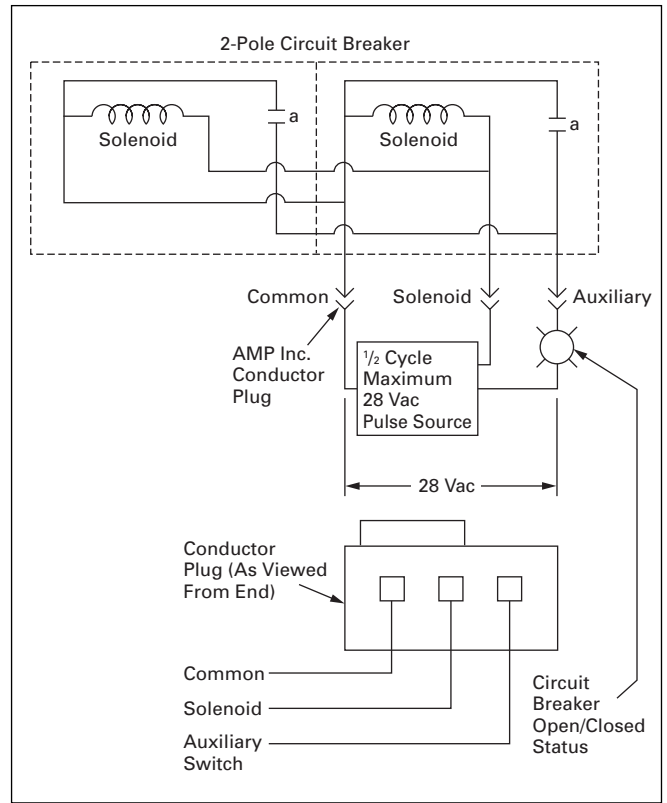
② Continuous current rating at 40°C.



Wiring Diagrams



Typical Single-Pole Circuit Breaker Schematic Diagram and Conductor Plug Wiring Connections



Circuit Breaker Schematic Diagram and Conductor Plug Wiring Connections for 2-Pole

Remote Control Operation

The remote-control capability of the breaker is "armed" when the breaker handle is manually switched to the "ON" position. Once armed, the breaker can be pulsed "ON" and "OFF" by a controller device which provides an ac pulse of specified magnitude and duration to the solenoid operated mechanism. Control connections to the breaker are provided through a male conductor plug (supplied by others) which

snaps into the female connector provided with the breaker. A normally open (a) auxiliary contact provides for breaker "ON"/"OFF" status indication to the remote controller and/or indicating lamp. The remote-control capability of the breaker is "disarmed" when the breaker handle is in the "OFF" or "TRIPPED" position. In the event the breaker automatically trips, the breaker must be reset manually.

Breaker Solenoid and Operating Data

- Ambient Temperature: 0-40° C
- Nominal Pulse Magnitude: 28 volts ac RMS
- Tolerance: +10% to -15% of Nominal Voltage
- Pulse Duration: 1/2 cycle (8-10 ms)
- Minimum Recommended Pulse Current at Nominal Voltage:
  - 1-Pole: 4.9 Amperes Peak, 3.5 Amperes RMS
  - 2-Pole: 7.84 Amperes Peak, 5.6 Amperes RMS
- Breaker Operating Time: 20-40 ms
- Maximum Breaker Cycling: 6 Operations per Minute
- Humidity: 0-95% non-Condensing

QUICKLAG International Rated Industrial Circuit Breakers Plug-on, Bolt-on and Cable-in/Cable-out

**Description**

**QUICKLAG International  
Circuit Breakers**

Plug-on Type HQP: 10-100 Amperes  
Bolt-on Type BA: 10-100 Amperes  
Cable-in/Cable-out Type QC:  
10-100 Amperes

Built and Test Certified to BS3871,  
Pt. 1 50/60 Hz, 40°C

**Interrupting Ratings**

	Suffix E	Suffix HE
NEMA 120/240 Vac	10,000 AIC	10,000 AIC
BS3871 220/380, 240/415 Vac	3,000 AIC	6,000 AIC

**QUICKLAG International Ground  
Fault Circuit Breakers**

Plug-on Type GFXB: 10-40 Amperes  
Bolt-on Type GFXBB: 10-40 Amperes  
Cable-in/Cable-out Type GFXBC:  
10-40 Amperes

Built and Test Certified to  
BS3871, Pt. 1  
BS3871, Section 31-C  
BS4293

50/60 Hz, 40°C  
30 mA Sensitivity

**Interrupting Rating**

BS3871 220/380, 240/415 Vac	3,000 AIC
--------------------------------	-----------

**Shipping Data**

Miniature Circuit Breaker	No. of Poles	Std. Carton Qty.	Approx. Carton Weight Lbs. (Kgs)	Approx. Standard Carton Dimensions Inches (mm)
QUICKLAG Types B, P, C – All	1	24	9.000 (4.09)	12.500 (317.50) x 6.500 (165.10) x 5.000 (127.00)
QUICKLAG Types B, P, C – All	2	12	9.000 (4.09)	12.500 (317.50) x 7.500 (190.50) x 5.000 (127.00)
QUICKLAG Types B, P, C – All	3	8	9.000 (4.09)	12.500 (317.50) x 7.500 (190.50) x 5.000 (127.00)

**QUICKLAG Ground Fault**

Type P – All	1	20	11.000 (4.99)	12.500 (317.50) x 6.500 (165.10) x 5.000 (127.00)
Types B and C – All	1	20	11.000 (4.99)	12.500 (317.50) x 7.000 (177.80) x 5.500 (139.70)
Types P and B – All	2	5	5.000 (2.27)	12.500 (317.50) 6.000 (152.40) 4.500 (114.30)

**Breaker Catalog Numbers**

Continuous Ampere Rating at 40°C	Catalog Number			
	1-Pole	2-Pole	3-Pole	Ground Fault 1-Pole 30 mA Sensitivity
	240/415 Vac	240/415 Vac	240/415 Vac	240/415 Vac

**3,000 Amperes I.C. (M3) Plug-on Thermal-Magnetic Circuit Breakers**

10	HQP1010E	HQP2010E	HQP3010E	GFXB110B2
15	HQP1015E	HQP2015E	HQP3015E	GFXB115B2
16	–	–	–	GFXB116B2
20	HQP1020E	HQP2020E	HQP3020E	GFXB120B2
25	HQP1025E	HQP2025E	HQP3025E	GFXB125B2
30	HQP1030E	HQP2030E	HQP3030E	GFXB130B2
32	–	–	–	GFXB132B2
40	HQP1040E	HQP2040E	HQP3040E	GFXB140B2
50	HQP1050E	HQP2050E	HQP3050E	–
60	HQP1060E	HQP2060E	HQP3060E	–
70	HQP1070E	HQP2070E	HQP3070E	–
90	–	HQP2090E	HQP3090E	–
100	–	HQP2100E	HQP3100E	–

**6,000 Ampere I.C. (M6) Plug-on Thermal-Magnetic Circuit Breakers**

15	HQP1015HE	HQP2015HE	HQP3015HE	–
20	HQP1020HE	HQP2020HE	HQP3020HE	–
25	HQP1025HE	HQP2025HE	HQP3025HE	–
30	HQP1030HE	HQP2030HE	HQP3030HE	–
40	HQP1040HE	HQP2040HE	HQP3040HE	–
50	HQP1050HE	HQP2050HE	HQP3050HE	–
60	HQP1060HE	HQP2060HE	HQP3060HE	–
70	HQP1070HE	HQP2070HE	HQP3070HE	–
90	–	HQP2090HE	HQP3090HE	–
100	–	HQP2100HE	HQP3100HE	–

**3,000 Ampere I.C. (M3) Bolt-on Thermal-Magnetic Circuit Breakers**

10	BAB1010E	BAB2010E	BAB3010E	GFXBB110B2
15	BAB1015E	BAB2015E	BAB3015E	GFXBB115B2
16	–	–	–	GFXBB116B2
20	BAB1020E	BAB2020E	BAB3020E	GFXBB120B2
25	BAB1025E	BAB2025E	BAB3025E	GFXBB125B2
30	BAB1030E	BAB2030E	BAB3030E	GFXBB130B2
32	–	–	–	GFXBB132B2
40	BAB1040E	BAB2040E	BAB3040E	GFXBB140B2
50	BAB1050E	BAB2050E	BAB3050E	–
60	BAB1060E	BAB2060E	BAB3060E	–
70	BAB1070E	BAB2070E	BAB3070E	–
90	–	BAB2090E	BAB3090E	–
100	–	BAB2100E	BAB3100E	–

**6,000 Ampere I.C. (M6) Bolt-on Thermal-Magnetic Circuit Breakers**

15	BAB1015HE	BAB2015HE	BAB3015HE	–
20	BAB1020HE	BAB2020HE	BAB3020HE	–
25	BAB1025HE	BAB2025HE	BAB3025HE	–
30	BAB1030HE	BAB2030HE	BAB3030HE	–
40	BAB1040HE	BAB2040HE	BAB3040HE	–
50	BAB1050HE	BAB2050HE	BAB3050HE	–
60	BAB1060HE	BAB2060HE	BAB3060HE	–
70	BAB1070HE	BAB2070HE	BAB3070HE	–
90	–	BAB2090HE	BAB3090HE	–
100	–	BAB2100HE	BAB3100HE	–

**3,000 Ampere I.C. (M3) Cable-in/Cable-out Thermal-Magnetic Circuit Breakers**

10	QC1010E	QC2010E	QC3010E	GFXBC110B2
15	QC1015E	QC2015E	QC3015E	GFXBC115B2
16	–	–	–	GFXBC116B2
20	QC1020E	QC2020E	QC3020E	GFXBC120B2
25	QC1025E	QC2025E	QC3025E	GFXBC125B2
30	QC1030E	QC2030E	QC3030E	GFXBC130B2
32	–	–	–	GFXBC132B2
40	QC1040E	QC2040E	QC3040E	GFXBC140B2
50	QC1050E	QC2050E	QC3050E	–
60	QC1060E	QC2060E	QC3060E	–
70	QC1070E	QC2070E	QC3070E	–
90	–	QC2090E	QC3090E	–
100	–	QC2100E	QC3100E	–

**6,000 Ampere I.C. (M6) Cable-in/Cable-out Thermal-Magnetic Circuit Breakers**

15	QC1015HE	QC2015HE	QC3015HE	–
20	QC1020HE	QC2020HE	QC3020HE	–
25	QC1025HE	QC2025HE	QC3025HE	–
30	QC1030HE	QC2030HE	QC3030HE	–
40	QC1040HE	QC2040HE	QC3040HE	–
50	QC1050HE	QC2050HE	QC3050HE	–
60	QC1060HE	QC2060HE	QC3060HE	–
70	QC1070HE	QC2070HE	QC3070HE	–
90	–	QC2090HE	QC3090HE	–
100	–	QC2100HE	QC3100HE	–

**Description**

**QUICKLAG Switching Neutral Circuit Breakers**

Plug-on Type HQP: 10-30 Amperes, 1 and 2 Poles, 10,000 AIC  
 Bolt-on Type BA: 10-30 Amperes, 1 and 2 Poles, 10,000 AIC  
 Cable-in Type QC: 10-30 Amperes, 1 and 2 Poles, 10,000 AIC

Switching Neutral QUICKLAG Breakers available in one- and two-pole configurations, plus neutral pole for applications in accordance with NEC 514-5, 240-22, and 380-2. A one-pole device takes two pole spaces, and a two-pole device takes three pole spaces.



QUICKLAG Type P Switching Neutral

**QUICKLAG HID (High Intensity Discharge) Breakers**

Plug-on Type HQP: 15-60 Amperes, 1 and 2 Poles, 10,000 AIC  
 Bolt-on Type BA: 15-60 Amperes, 1 and 2 Poles, 10,000 AIC  
 Cable-in Type QC: 15-60 Amperes, 1 and 2 Poles, 10,000 AIC

Breakers designed specifically for use with high intensity discharge (HID) lighting applications. (UL listed as standard lighting breakers.)

**Molded Case Switches Non-Automatic QUICKLAG Molded Case Switch**

Plug-on Type HQP: 50, 60, 100 Amperes, 1, 2 and 3 Poles  
 Bolt-on Type BA: 50, 60, 100 Amperes, 1, 2 and 3 Poles  
 Cable-in Type QC: 50, 60, 100 Amperes, 1, 2 and 3 Poles

**Breaker Catalog Numbers**

Continuous Ampere Rating 40°C	Catalog Number			
	1-Pole①	2-Pole①		3-Pole①
	120/240 Vac	120/240 Vac	240 Vac	240 Vac

**QUICKLAG Type: HQP Switching Neutral Thermal-Magnetic Breakers**

10	HQP2010B	HQP3010B	-	-
15	HQP2015B	HQP3015B	-	-
20	HQP2020B	HQP3020B	-	-
25	HQP2025B	HQP3025B	-	-
30	HQP2030B	HQP3030B	-	-

**QUICKLAG Type: BA Switching Neutral Thermal-Magnetic Breakers**

10	BAB2010C	BAB3010C	-	-
15	BAB2015C	BAB3015C	-	-
20	BAB2020C	BAB3020C	-	-
25	BAB2025C	BAB3025C	-	-
30	BAB2030C	BAB3030C	-	-

**QUICKLAG Type: QC Switching Neutral Thermal-Magnetic Breakers**

10	QC2010B	QC3010B	-	-
15	QC2015B	QC3015B	-	-
20	QC2020B	QC3020B	-	-
25	QC2025B	QC3025B	-	-
30	QC2030B	QC3030B	-	-

**QUICKLAG Type: HQP HID (High Intensity Discharge) Thermal-Magnetic Breakers**

15	HQP1015D	HQP2015D	-	-
20	HQP1020D	HQP2020D	-	-
25	HQP1025D	HQP2025D	-	-
30	HQP1030D	HQP2030D	-	-
35	HQP1035D	HQP2035D	-	-
40	HQP1040D	HQP2040D	-	-
50	HQP1050D	HQP2050D	-	-
60	HQP1060D	HQP2060D	-	-

**QUICKLAG Type: BA HID (High Intensity Discharge) Thermal-Magnetic Breakers**

15	BAB1015D	BAB2015D	-	-
20	BAB1020D	BAB2020D	-	-
25	BAB1025D	BAB2025D	-	-
30	BAB1030D	BAB2030D	-	-
35	BAB1035D	BAB2035D	-	-
40	BAB1040D	BAB2040D	-	-
50	BAB1050D	BAB2050D	-	-
60	BAB1060D	BAB2060D	-	-

**QUICKLAG Type: QC HID (High Intensity Discharge) Thermal-Magnetic Breakers**

15	QC1015D	QC2015D	-	-
20	QC1020D	QC2020D	-	-
25	QC1025D	QC2025D	-	-
30	QC1030D	QC2030D	-	-
35	QC1035D	QC2035D	-	-
40	QC1040D	QC2040D	-	-
50	QC1050D	QC2050D	-	-
60	QC1060D	QC2060D	-	-

**QUICKLAG Type: HQP Non-Auto Molded Case Switches**

50	HQP1050N	-	HQP2050N	HQP3050N
60	HQP1060N	-	HQP2060N	HQP3060N
100	HQP1100N	-	HQP2100N	HQP3100N

**QUICKLAG Type: BA Non-Auto Molded Case Switches**

50	BAB1050N	-	BAB2050N	BAB3050N
60	BAB1060N	-	BAB2060N	BAB3060N
100	BAB1100N	-	BAB2100N	BAB3100N

**QUICKLAG Type: QC Non-Auto Molded Case Switches**

50	QC1050N	-	QC2050N	QC3050N
60	QC1060N	-	QC2060N	QC3060N
100	QC1100N	-	QC2100N	QC3100N

**Shipping Data**

Miniature Circuit Breaker	No. of Poles	Standard Carton Quantity	Approximate Carton Weight Lbs. (Kgs)	Approximate Standard Carton Dimensions Inches (mm)
QUICKLAG Types B, P, C – All	1	24	9.000 (4.09)	12.500 (317.50) x 7.500 (190.50) x 5.000 (127.00)
QUICKLAG Types B, P, C – All	2	12	9.000 (4.09)	12.500 (317.50) x 7.500 (190.50) x 5.000 (127.00)
QUICKLAG Types B, P, C – All	3	8	9.000 (4.09)	12.500 (317.50) x 7.500 (190.50) x 5.000 (127.00)
QUICKLAG Ground Fault Type P – All	1	20	11.000 (4.99)	12.500 (317.50) x 6.500 (165.10) x 5.000 (127.00)
Types B and C – All	1	20	11.000 (4.99)	12.500 (317.50) x 7.000 (177.80) x 5.500 (139.70)
Types P and B – All	2	5	5.000 (2.27)	12.500 (317.50) x 6.000 (152.40) x 4.500 (114.30)

① All products UL and CSA listed.

**QUICKLAG Industrial Circuit Breakers Accessories**

Accessory Type <sup>①</sup>	Catalog Number	Description	Order in Multiples of
Handle Locks: Non-padlockable	<b>QL1NPL</b>	QUICKLAG Type P, B, C – 1 Pole	10
	<b>QL23NPL</b>	QUICKLAG Type P, B, C – 2, 3 Poles	10
Handle Locks: Padlockable	<b>QL1PL</b>	QUICKLAG Type P, B, C – 1 Pole	10
	<b>QLPB123PL</b>	QUICKLAG Type P, B – 1, 2, 3 Poles	10
	<b>QC123PL</b>	QUICKLAG Type C – 1, 2, 3 Poles	10
	<b>QLGF12PL</b>	Ground Fault Padlock Device Type P, B – 1, 2 Poles	10
Handle Tie	<b>QL1HT</b>	QUICKLAG Handle Tie - 1 Pole	100
Mounting Hardware	<b>QCFCCLIP</b>	QUICKLAG Type C Face Mounting Clip	24
	<b>QC1FP</b>	QUICKLAG Type C Face Mounting Plate – 1 Pole	10
	<b>QC2FP</b>	QUICKLAG Type C Face Mounting Plate – 2 Poles	10
	<b>QC3FP</b>	QUICKLAG Type C Face Mounting Plate – 3 Poles	10
	<b>QC1FPLOFF</b>	QUICKLAG Type C Face Mounting Plate and Lock-off (Off Only) – 1 Pole	10
	<b>QC2FPLOFF</b>	QUICKLAG Type C Face Mounting Plate and Lock-off (Off Only) – 2 Pole	10
	<b>QC3FPLOFF</b>	QUICKLAG Type C Face Mounting Plate and Lock-off (Off Only) – 3 Pole	10
	<b>QCBCLIP</b>	QUICKLAG Type C Base Mounting Clamp	100
	<b>QC6BP</b>	QUICKLAG Base Mounting Plate – 6 Poles Total	10
	<b>QC4CONB</b>	QUICKLAG Type C Single Point Connector	10
	<b>QCDINADAPT</b>	QUICKLAG Type C DIN Rail Adapter	6
Dummy Breakers	<b>HQP1000</b>	QUICKLAG Type P	1
	<b>BAB1000</b>	QUICKLAG Type B	1
	<b>QC1000</b>	QUICKLAG Type C	1
	<b>QC30SAMPLE</b>	QUICKLAG Type C Clear Choice Breaker	4



**QL1NPL**



**QL23NPL**



**QL1PL**



**QLPB123PL**



**QC123PL**



**QL1HT**



**QCFCCLIP**



**QC1FP**



**QC2FP**



**QC3FP**



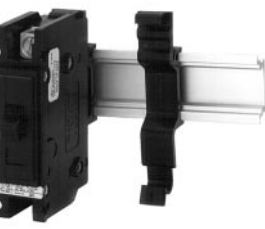
**QCBCLIP**



**QC6BP**



**QC4CONB**



**QCDINADAPT**

① See pages 7 and 8 for QCR and QCF accessories.

QUICKLAG Industrial Circuit Breakers Modifications/Terminals

Factory Modifications<sup>①</sup>

Type of Modification	Breaker Types	Catalog Suffix
Shunt Trip (Requires 1 extra pole space on right side) 120, 208, 240 Vac 12, 24, 48 Vac/dc Draws 2.6A at 120V Draws 11A at 24Vdc	QUICKLAG Types P, B and C QUICKLAG Types P, B and C	S S1
Special Calibration (50°C)	QUICKLAG Types P, B and C	V
Shock Testing	QUICKLAG Types P, B and C	L
Freeze Testing	QUICKLAG Types P, B and C	Y
Moisture-Fungus Treatment	QUICKLAG Types P, B, C and Ground Fault	F

Factory Installed Breaker Terminals

Breaker Type	Continuous Ampere Rating	Standard Line Terminal			Standard Load Terminal			Optional Terminals (20% List Price Adder)			
		Term Type	Wire Type	Wire Range	Term Type	Wire Type	Wire Range	Line	Load		
QUICKLAG Type P HQP, QPHW, QHPX, QHPW	10 to 30 35 to 50 55 to 125	Plug-on female clips which mate with the bus stabs			A B C	Cu/Al Cu/Al Cu/Al	#14-#4 #14-#4 #8-1/0	N/A	C C -		
QUICKLAG Ground Fault QPGF, QPHGF, QPGFEP, QPHGFEP	10 to 30 40	Plug-on female clips which mate with the bus stabs			A - 1-pole D - 2-pole D	Cu/Al Cu/Al Cu	#14-#4 #14-#8 #14-#8	N/A	C C -		
QUICKLAG Type B BAB, QBHW, HBAX, HBAW	10 to 30 35 to 50 55 to 125	Extended tangs which bolt directly to the bus			A - 1- and 2- pole B - 3-pole C	Cu/Al Cu/Al Cu/Al	#14-#4 #14-#4 #8-1/0	N/A	C C -		
QUICKLAG Ground Fault QBGF, QBHGF, QBGFEP, QBHGFEP	10 to 30 40	Extended tangs which bolt directly to the bus			A - 1-pole D - 2-pole D	Cu/Al Cu/Al Cu	#14-#4 #14-#8 #14-#8	N/A	N/A		
QUICKLAG Type C QC, QCHW, QHXC, QHCW	10 to 20 25 to 60 70 to 100	E F G	Cu/Al Cu/Al Cu/Al	#14-#10	E B C	Cu/Al Cu/Al Cu/Al	#14-#10 #14-#4 #8-1/0	F, G E, G E	F, G, H E, F, G, H E, G, H		
QUICKLAG QCR, QCF	10-55 60	A A	Cu/Al Cu	-#14 -#4	A A	Cu/Al Cu	#14 -#4	N/A	N/A		
QUICKLAG Ground Fault QCGF, QCHGF, QCGFEP, QCHGFEP	10 to 20 25 to 50	E F	Cu/Al Cu/Al	#14-#10	A A	Cu/Al Cu/Al	#14-#4 #14-#4	F, G E, G	N/A		
<b>A</b>			<b>B</b>			<b>C</b>			<b>D</b>		
<b>E</b>			<b>F</b>			<b>G</b>			<b>H</b>		

Spare Terminal Hardware Screws (Lugs not Included)

Catalog Number	Order in Multiples of	Terminal Type	Description
QLD TSA	10	A	QUICKLAG Terminal Screw
QLD TSB	10	B	QUICKLAG Terminal Screw
QLD TSC	10	C	QUICKLAG Terminal Screw
QLB TSE	10	E	QUICKLAG Binding Head Terminal Screw and Clamp
QLL NTSFG	10	F and G	QUICKLAG Terminal Screw

① Contact Cutler-Hammer for factory modifications available for QCR and QCF breakers.



## Supplementary Protectors Current Limiting Type Cable-in/Cable-out DIN Rail



### Description

#### UL 1077 Supplementary Protectors

Type SPCL Supplementary Protectors are IEC circuit breakers that are recognized by UL under UL 1077. They are intended for use as over-current protection within an appliance or electrical equipment where branch circuit protection (for example a UL listed Molded Case Circuit Breaker) has already been provided or is not required.

#### Equipment and Control Circuit Protection

These protectors are ideal for replacing fuses in control circuits. Applications include protecting motor control circuits, small control circuit transformers, relays, contactor coils, power supplies, PLC I/O points, appliances, and electronic equipment.

### Product Features

The Type SPCL Supplementary Protectors are provided in light gray cases with charcoal gray handles.

**DIN-Rail Mounting:** A quick snap-on clip design allows easy installation on 35mm DIN Rail.

**Current-Limiting Design:** Fast short circuit interruption reduces let-through energy, reducing damage to the circuit.

#### Thermal-Magnetic Overcurrent

**Protection:** Types B and C overcurrent curves provide maximum reliability and accuracy. Type B protection is normally used for low inrush applications. Type C protection is used for general purpose industrial applications that require higher inrush tolerance.

**Center Trip Position:** The breaker handle has a unique center trip "Reset" position that indicates an overcurrent trip. "Off" (O) and "On" (I) handle positions are visually indicated by red and green flags.

### SPCL Specifications

Standards and Approvals	Number of Poles	Electrical Ratings			
		Continuous Current (Amperes)	Vac 50/60 Hz	Vdc	Ampere Interrupting Capacity
UL 1077 File No. E162396 CSA 22.2 File No. LR105580-1	1	0.5-63	120	12-65	10 kA
	2	0.5-63	240	12-130 <sup>①</sup>	10 kA
	3-4	0.5-63	240		10 kA
	1	0.5-63	277		6 kA
	2-4	0.5-63	480		5 kA
EN60898 VDE0660	1-4	0.5-63	240/415		10 kA
Overcurrent Curves	Overcurrent Curve Type B (3-5X) and Type C (5-10X) per VDE 0641, Part 11.				
Degree of Protection	IP20.				
Connecting Terminals	Suitable for Single-Core, Standard, and Flexible Conductors from #14 to #6 AWG (Cu). Recommended Torque is 27 Inch-Pounds.				

### SPCL Supplementary Protector Catalog Numbers

Continuous Ampere Rating	Catalog Number			
	1-Pole	2-Pole	3-Pole	4-Pole

#### C Curve

Continuous Ampere Rating	1-Pole	2-Pole	3-Pole	4-Pole
0.5	SPCL1C00 <sup>⑤</sup>	SPCL2C00 <sup>⑤</sup>	SPCL3C00 <sup>⑤</sup>	SPCL4C00 <sup>⑥</sup>
1	SPCL1C01 <sup>⑤</sup>	SPCL2C01 <sup>⑤</sup>	SPCL3C01 <sup>⑤</sup>	SPCL4C01 <sup>⑥</sup>
2	SPCL1C02 <sup>⑤</sup>	SPCL2C02 <sup>⑤</sup>	SPCL3C02 <sup>⑤</sup>	SPCL4C02 <sup>⑥</sup>
3	SPCL1C03 <sup>⑤</sup>	SPCL2C03 <sup>⑤</sup>	—	—
4	SPCL1C04 <sup>⑤</sup>	SPCL2C04 <sup>⑤</sup>	SPCL3C04 <sup>⑤</sup>	SPCL4C04 <sup>⑥</sup>
5	SPCL1C05 <sup>⑤</sup>	SPCL2C05 <sup>⑤</sup>	—	—
6	SPCL1C06 <sup>⑤</sup>	SPCL2C06 <sup>⑤</sup>	SPCL3C06 <sup>⑤</sup>	SPCL4C06 <sup>⑥</sup>
7	SPCL1C07 <sup>⑤</sup>	SPCL2C07 <sup>⑤</sup>	—	—
8	SPCL1C08 <sup>⑤</sup>	SPCL2C08 <sup>⑤</sup>	—	—
10	SPCL1C10 <sup>⑤</sup>	SPCL2C10 <sup>⑤</sup>	SPCL3C10 <sup>⑤</sup>	SPCL4C10 <sup>⑥</sup>
13	SPCL1C13 <sup>⑤</sup>	—	—	—
16	SPCL1C16 <sup>⑤</sup>	SPCL2C16 <sup>⑤</sup>	SPCL3C16 <sup>⑤</sup>	SPCL4C16 <sup>⑥</sup>
20	SPCL1C20 <sup>⑤</sup>	SPCL2C20 <sup>⑤</sup>	SPCL3C20 <sup>⑤</sup>	SPCL4C20 <sup>⑥</sup>
25	SPCL1C25 <sup>⑤</sup>	SPCL2C25 <sup>⑤</sup>	SPCL3C25 <sup>⑤</sup>	SPCL4C25 <sup>⑥</sup>
32	SPCL1C32 <sup>⑤</sup>	SPCL2C32 <sup>⑤</sup>	SPCL3C32 <sup>⑤</sup>	SPCL4C32 <sup>⑥</sup>
40	SPCL1C40 <sup>⑤</sup>	SPCL2C40 <sup>⑤</sup>	SPCL3C40 <sup>⑤</sup>	SPCL4C40 <sup>⑥</sup>
50	SPCL1C50 <sup>⑤</sup>	SPCL2C50 <sup>⑤</sup>	SPCL3C50 <sup>⑤</sup>	SPCL4C50 <sup>⑥</sup>
63	SPCL1C63 <sup>⑤</sup>	SPCL2C63 <sup>⑤</sup>	SPCL3C63 <sup>⑤</sup>	SPCL4C63 <sup>⑥</sup>

#### B Curve

Continuous Ampere Rating	1-Pole	2-Pole	3-Pole	4-Pole
6	SPCL1B06 <sup>⑤</sup>	SPCL2B06 <sup>⑥</sup>	SPCL3B06 <sup>⑥</sup>	SPCL4B06 <sup>⑥</sup>
10	SPCL1B10 <sup>⑤</sup>	SPCL2B10 <sup>⑥</sup>	SPCL3B10 <sup>⑥</sup>	SPCL4B10 <sup>⑥</sup>
13	SPCL1B13 <sup>⑤</sup>	—	—	—
16	SPCL1B16 <sup>⑤</sup>	SPCL2B16 <sup>⑥</sup>	SPCL3B16 <sup>⑥</sup>	SPCL4B16 <sup>⑥</sup>
20	SPCL1B20 <sup>⑤</sup>	SPCL2B20 <sup>⑥</sup>	SPCL3B20 <sup>⑥</sup>	SPCL4B20 <sup>⑥</sup>
25	SPCL1B25 <sup>⑤</sup>	SPCL2B25 <sup>⑥</sup>	SPCL3B25 <sup>⑥</sup>	SPCL4B25 <sup>⑥</sup>
32	SPCL1B32 <sup>⑤</sup>	SPCL2B32 <sup>⑥</sup>	SPCL3B32 <sup>⑥</sup>	SPCL4B32 <sup>⑥</sup>
40	SPCL1B40 <sup>⑤</sup>	SPCL2B40 <sup>⑥</sup>	SPCL3B40 <sup>⑥</sup>	SPCL4B40 <sup>⑥</sup>
50	SPCL1B50 <sup>⑤</sup>	SPCL2B50 <sup>⑥</sup>	SPCL3B50 <sup>⑥</sup>	SPCL4B50 <sup>⑥</sup>
63	SPCL1B63 <sup>⑤</sup>	SPCL2B63 <sup>⑥</sup>	SPCL3B63 <sup>⑥</sup>	SPCL4B63 <sup>⑥</sup>

### Shipping Data

	Packed in Cartons of:	Carton Dimensions Inches (mm)	Approximate Weight Lbs. (Kgs)
1-Pole Units	12	9.000 (228.60) x 4.000 (101.60) x 4.000 (101.60)	10.000 (4.54)
2-Pole Units	6	9.000 (228.60) x 4.000 (101.60) x 4.000 (101.60)	10.000 (4.54)
3-Pole Units	4	9.000 (228.60) x 4.000 (101.60) x 4.000 (101.60)	10.000 (4.54)
4-Pole Units	3	9.000 (228.60) x 4.000 (101.60) x 4.000 (101.60)	10.000 (4.54)

- ① 130 Vdc rating based on 2 poles connected in series.
- ⑤ Normally stocked.
- ⑥ Special order, contact Cutler-Hammer. Minimum quantities apply.



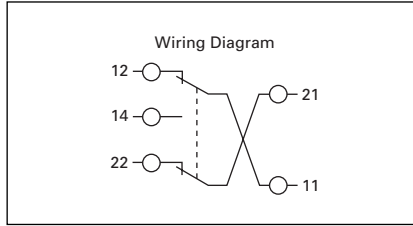
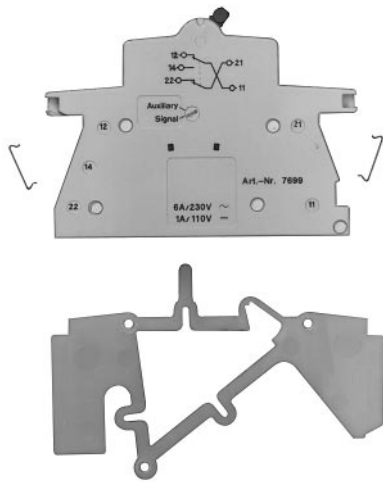
SPCL protectors carry the CE mark in accordance with Low Voltage Directive (LVD) (73/23/EEC)



**SPCL Accessories**

**Auxiliary/Signal Switch Kit**

Catalog Number SPCLUAUX is a field mountable switch kit that attaches to the left side of a SPCL Protector. It is field selectable to auxiliary or signal (bell alarm) configuration. The switch is UL and CSA approved for general purpose ratings of 6 ampere at 240 Vac or 1 ampere at 125 Vdc. Contacts are provided as indicated on the wiring diagram. Screw-type terminals are provided to accommodate up to #16 AWG wire. Recommended torque is approximately 13 inch-pounds.



**Contact Charts**

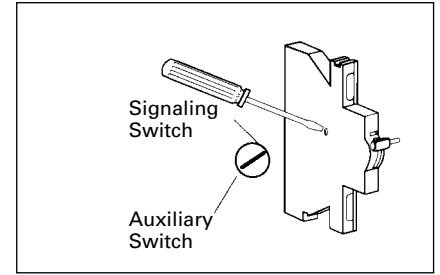
Contacts	Auxiliary Switch Mode	
	Protector Open	Protector Closed
11 to 12	X	0
11 to 14	0	X
21 to 22	X	0

Contacts	Signal Switch Mode		
	Protector Open	Protector Closed	Protector Tripped
11 to 12	0	0	X
11 to 14	X	X	0
21 to 22	0	0	X

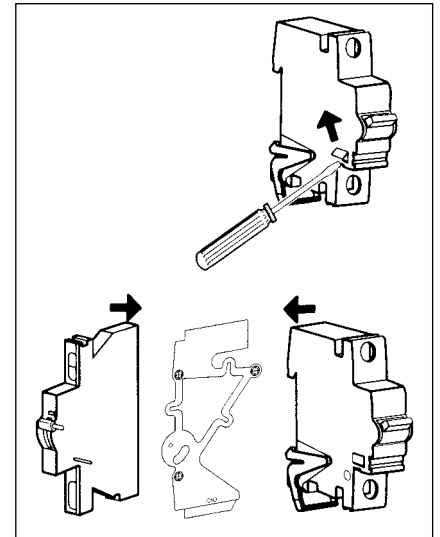
**Technical Data**

Rated Voltage:	230 Vac/110 Vdc
Rated Current:	6A Ac/1A Dc
Conductor Cross Section:	To 1.5 mm <sup>2</sup> (No 16 AWG)
Tightening Torque:	1 Nm (13 inch-pounds)
Product:	Catalog Number
Universal Auxiliary Switch:	<b>SPCLUAUX</b>

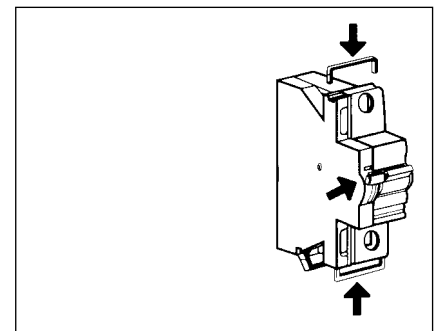
**Figure 1**



**Figure 2**



**Figure 3**



## Supplementary Protectors Current Limiting Type Cable-in/Cable-out DIN Rail

### SPCL Accessories

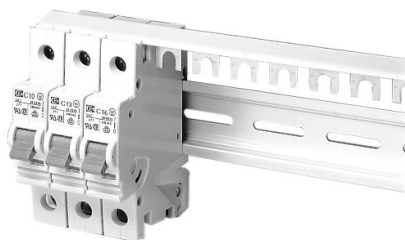
#### Lock-off Devices



#### Lock-off Devices

Catalog Number	Description
<b>SPCLPLDEV</b>	Padlockable device, mounts on protector and includes provisions to accept catalog number SPCLOCKEY Padlock
<b>SPCLOCKEY</b>	Padlock with 3 keys

#### Bus Bar Systems



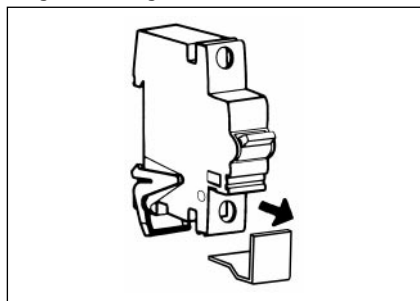
#### Bus Bar Systems

Catalog Number	Description
<b>SPCLIPB10MM</b>	Single-phase 240 Vac VDE approved Bus Bar, 1 meter in length, 10mm <sup>2</sup> density
<b>SPCL1PB16MM</b>	Single-phase 240 Vac VDE approved Bus Bar, 1 meter in length, 16mm <sup>2</sup> density

#### Maximum Bus Bar Current<sup>①</sup>

Conductor Density	End Connect	Center Connect
10 sq. mm	50 Amperes	100 Amperes
16 sq. mm	65 Amperes	130 Amperes

#### Finger Proofing Shield



#### Finger Proofing Shield

Catalog Number	Description
<b>SPCL2000</b>	Clip-on finger proofing shield to enhance finger protection on SPCL protectors. Plastic finger proofing shield clips into upper or lower terminal poles as required.

<sup>①</sup> Per VDE 0606.

**Description**

**UL 1077 Supplementary Protectors**  
Type SPHM Supplementary Protectors are IEC circuit breakers that are recognized by UL under UL 1077. They are intended for use as over-current protection within an appliance or electrical equipment where branch circuit protection (for example a UL listed Molded Case Circuit Breaker) has already been provided or is not required.

**Equipment and Control Circuit Applications**

These protectors are ideal for protecting motor control circuits, CPTs, relays, contactor coils, power supplies, PLC I/O points, lighting circuits, appliances, electronic equipment, and replacing fuses.

**Product Features**

The Type SPHM Supplementary Protectors are provided in light gray cases with charcoal gray handles. Handles are marked with "O" for "Off" and "I" for "On".

**DIN Rail Mounting:** Easy installation on 35mm DIN Rail. A spring loaded clip is provided for quick release from the DIN Rail mounting.

**Heat-Induced Nuisance Tripping Eliminated:** The protector is designed to "hold in" at 100% of continuous rated current regardless of ambient temperatures from -40 to +85°C.

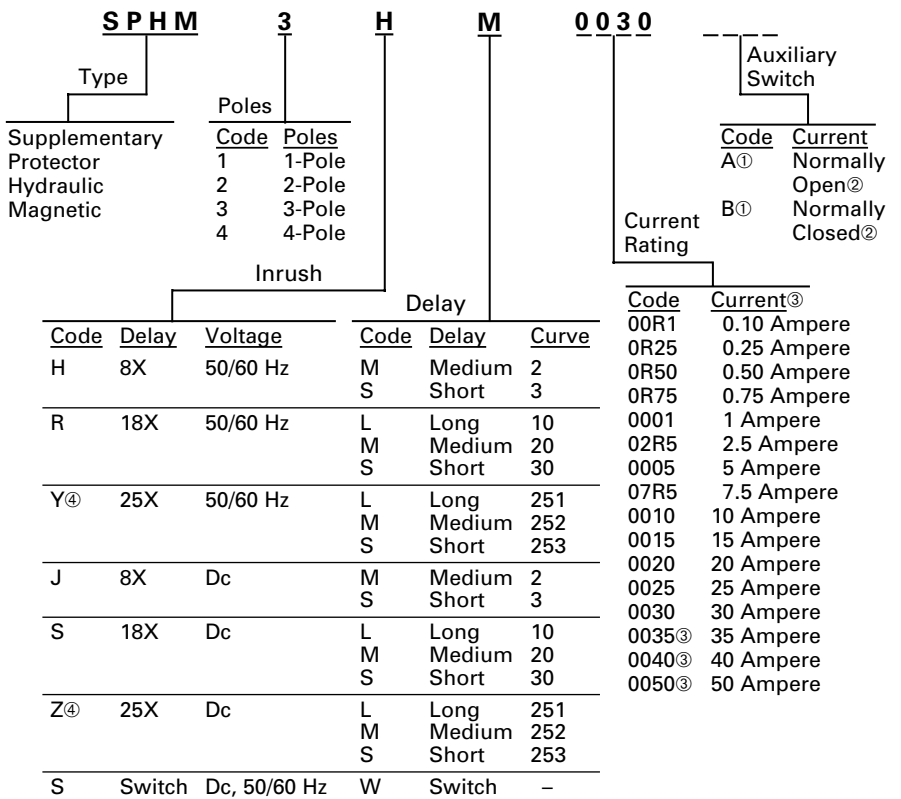
**Immediate Reset After Trip:** The protector can be reset (closed) immediately after an overcurrent trip without a "cooling off" period.

**Precise Overcurrent Calibration:** The protector can be precisely calibrated to a wide variety of current ranges from 0.1 to 50 amperes continuous. For special ratings not shown, contact Cutler-Hammer.

**Flexible Time-Characteristic Curves:** Long, Medium, and Short Delay Curves are available. Long Delay are for special extended inrush, Medium

- ① One A or B contact maximum per pole. Contacts will be arranged left to right (e.g.,) BAB suffix on 3-pole breaker.
- ② Contact position when breaker in open condition. Contacts rated 10 amperes at 250 Vac.
- ③ UL recognized to 250 Vac, 5 kA above 30 amperes.
- ④ Maximum of 40 amperes available at 25X inrush.

**Catalog Numbering System**



**General Specifications and Electrical Ratings**

Standards and Approvals	Continuous Current Rating	Vac 50/60 Hz	Vdc	Interruption Cap Capacity RMS Symmetrical
UL 1077	0.1 to 30 Amperes	277/480		3 kA
	0.1 to 50 Amperes	250		5 kA
CSA 22.2	0.1 to 50 Amperes		80	5 kA
VDE 0660	0.1 to 50 Amperes	230/400		1.5 kA
IEC-380	0.1 to 50 Amperes		80	2 kA

for general purpose, and Short Delay for sensitive electronic applications.

**1/2 Cycle High-Inrush Tolerance:** The protector can be provided with tolerance to various levels of 1/2 cycle current spikes. General purpose tolerance is 8X the continuous current rating. Tolerance to 18X and 25X are also available.

**Environmental, Vibration, and Shock Resistance:** Mil-Spec qualification for fungus resistance, humidity, salt-spray resistance, and shock vibration resistance.

**Integral Auxiliary Switch (Optional):** One auxiliary switch contact (a or b) can be factory installed per protector pole. A separate pole for the contact is not required.

**Standards:** UL Recognized under UL 1077, CSA Certified to CSA 22.2. Meets the requirements of IEC-380, IEC-435, IEC-601, VDE 0660, VDE 601, VDE 0730, VDE 0750, VDE 0804, VDE 0806

**Inrush Tolerance:** 8X (Standard), 18X, or 25X

**Overcurrent Curves:** Long Delay, Medium Delay, or Short Delay

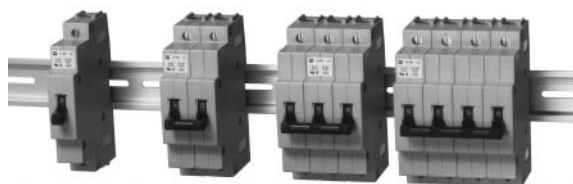
**Operating Temperature:** -40 to +85°C

**Wire Range:** Breaker Terminals: 14-6 AWG Copper, 35-inch-lbs torque  
Auxiliary Switch Terminals: 16 AWG Copper, 3.5-inch-lbs torque

**Auxiliary Switch:** 10 Amperes at 250 Vac

**Degree of Protection:** IP-20

## Supplementary Protectors Hydraulic Magnetic Type Cable-in/Cable-out DIN Rail



1-Pole

2-Pole

3-Pole

4-Pole

### SPHM Catalog Numbers

Continuous Current Rating (Amperes)	Catalog Number			
	8X (Standard Inrush Tolerance) Medium Delay Curve 2			
	1-Pole 277 Vac	2-Pole 277/480 Vac	3-Pole 277/480 Vac	4-Pole 277/480 Vac
0.1	SPHM1HM00R1Ⓢ	SPHM2HM00R1Ⓢ	SPHM3HM00R1Ⓢ	SPHM4HM00R1Ⓢ
0.25	SPHM1HM0R25Ⓢ	SPHM2HM0R25Ⓢ	SPHM3HM0R25Ⓢ	SPHM4HM0R25Ⓢ
0.50	SPHM1HM0R50Ⓢ	SPHM2HM0R50Ⓢ	SPHM3HM0R50Ⓢ	SPHM4HM0R50Ⓢ
0.75	SPHM1HM0R75Ⓢ	SPHM2HM0R75Ⓢ	SPHM3HM0R75Ⓢ	SPHM4HM0R75Ⓢ
1	SPHM1HM0001Ⓢ	SPHM2HM0001Ⓢ	SPHM3HM0001Ⓢ	SPHM4HM0001Ⓢ
2.5	SPHM1HM02R5Ⓢ	SPHM2HM02R5Ⓢ	SPHM3HM02R5Ⓢ	SPHM4HM02R5Ⓢ
5.0	SPHM1HM0005Ⓢ	SPHM2HM0005Ⓢ	SPHM3HM0005Ⓢ	SPHM4HM0005Ⓢ
7.5	SPHM1HM07R5Ⓢ	SPHM2HM07R5Ⓢ	SPHM3HM07R5Ⓢ	SPHM4HM07R5Ⓢ
10	SPHM1HM0010Ⓢ	SPHM2HM0010Ⓢ	SPHM3HM0010Ⓢ	SPHM4HM0010Ⓢ
15	SPHM1HM0015Ⓢ	SPHM2HM0015Ⓢ	SPHM3HM0015Ⓢ	SPHM4HM0015Ⓢ
20	SPHM1HM0020Ⓢ	SPHM2HM0020Ⓢ	SPHM3HM0020Ⓢ	SPHM4HM0020Ⓢ
25	SPHM1HM0025Ⓢ	SPHM2HM0025Ⓢ	SPHM3HM0025Ⓢ	SPHM4HM0025Ⓢ
30	SPHM1HM0030Ⓢ	SPHM2HM0030Ⓢ	SPHM3HM0030Ⓢ	SPHM4HM0030Ⓢ
Continuous Current Rating (Amperes)	8X (Standard Inrush Tolerance) Medium Delay Curve 2			
	1-Pole 250 Vac	2-Pole 250 Vac	3-Pole 250 Vac	4-Pole 250 Vac
35	SPHM1HM0035Ⓢ	SPHM2HM0035Ⓢ	SPHM3HM0035Ⓢ	SPHM4HM0035Ⓢ
40	SPHM1HM0040Ⓢ	SPHM2HM0040Ⓢ	SPHM3HM0040Ⓢ	SPHM4HM0040Ⓢ
50	SPHM1HM0050Ⓢ	SPHM2HM0050Ⓢ	SPHM3HM0050Ⓢ	SPHM4HM0050Ⓢ
Continuous Current Rating (Amperes)	18X (High Inrush Tolerance) Medium Delay Curve 20			
	1-Pole 277 Vac	2-Pole 277/480 Vac	3-Pole 277/480 Vac	4-Pole 277/480 Vac
0.1	SPHM1RM00R1Ⓢ	SPHM2RM00R1Ⓢ	SPHM3RM00R1Ⓢ	SPHM4RM00R1Ⓢ
0.25	SPHM1RM0R25Ⓢ	SPHM2RM0R25Ⓢ	SPHM3RM0R25Ⓢ	SPHM4RM0R25Ⓢ
0.50	SPHM1RM0R50Ⓢ	SPHM2RM0R50Ⓢ	SPHM3RM0R50Ⓢ	SPHM4RM0R50Ⓢ
0.75	SPHM1RM0R75Ⓢ	SPHM2RM0R75Ⓢ	SPHM3RM0R75Ⓢ	SPHM4RM0R75Ⓢ
1	SPHM1RM0001Ⓢ	SPHM2RM0001Ⓢ	SPHM3RM0001Ⓢ	SPHM4RM0001Ⓢ
2.5	SPHM1RM02R5Ⓢ	SPHM2RM02R5Ⓢ	SPHM3RM02R5Ⓢ	SPHM4RM02R5Ⓢ
5	SPHM1RM0005Ⓢ	SPHM2RM0005Ⓢ	SPHM3RM0005Ⓢ	SPHM4RM0005Ⓢ
7.5	SPHM1RM07R5Ⓢ	SPHM2RM07R5Ⓢ	SPHM3RM07R5Ⓢ	SPHM4RM07R5Ⓢ
10	SPHM1RM0010Ⓢ	SPHM2RM0010Ⓢ	SPHM3RM0010Ⓢ	SPHM4RM0010Ⓢ
15	SPHM1RM0015Ⓢ	SPHM2RM0015Ⓢ	SPHM3RM0015Ⓢ	SPHM4RM0015Ⓢ
20	SPHM1RM0020Ⓢ	SPHM2RM0020Ⓢ	SPHM3RM0020Ⓢ	SPHM4RM0020Ⓢ
25	SPHM1RM0025Ⓢ	SPHM2RM0025Ⓢ	SPHM3RM0025Ⓢ	SPHM4RM0025Ⓢ
30	SPHM1RM0030Ⓢ	SPHM2RM0030Ⓢ	SPHM3RM0030Ⓢ	SPHM4RM0030Ⓢ
Continuous Current Rating (Amperes)	18X (High Inrush Tolerance) Medium Delay Curve 20			
	1-Pole 250 Vac	2-Pole 250 Vac	3-Pole 250 Vac	4-Pole 250 Vac
35	SPHM1RM0035Ⓢ	SPHM2RM0035Ⓢ	SPHM3RM0035Ⓢ	SPHM4RM0035Ⓢ
40	SPHM1RM0040Ⓢ	SPHM2RM0040Ⓢ	SPHM3RM0040Ⓢ	SPHM4RM0040Ⓢ
50	SPHM1RM0050Ⓢ	SPHM2RM0050Ⓢ	SPHM3RM0050Ⓢ	SPHM4RM0050Ⓢ

### Shipping Data

	Shipped in Cartons of:	Carton Dimensions Inches (mm)	Approx. Weight Lbs. (Kgs)
1-Pole Units	12	10.500 (266.70) x 4.125 (104.78) x 4.500 (114.30)	15.000 (6.81)
2-Pole Units	6	10.500 (266.70) x 4.125 (104.78) x 4.500 (114.30)	15.000 (6.81)
3-Pole Units	4	10.500 (266.70) x 4.125 (104.78) x 4.500 (114.30)	15.000 (6.81)
4-Pole Units	3	10.500 (266.70) x 4.125 (104.78) x 4.500 (114.30)	15.000 (6.81)

Ⓢ Normally stocked.

Ⓢ Special order, contact Cutler-Hammer. Minimum quantities apply. Contact Cutler-Hammer for price and availability for 400 Hz, Dc, Auxiliary Switch, and other catalog number combinations not shown.

Series C® G-Frame

- All two- and three-pole circuit breakers are of the common trip type. On all 3-phase Delta (240V) Grounded B phase applications, refer to Cutler-Hammer.
- Single-pole circuit breakers, 15 and 20 amperes. Switching duty rated (SWD) for fluorescent lighting applications.
- All G-frame circuit breakers are suitable for reverse feed use.
- HACR rated.

Interrupting Capacity Ratings

UL489 Interrupting Capacity Ratings

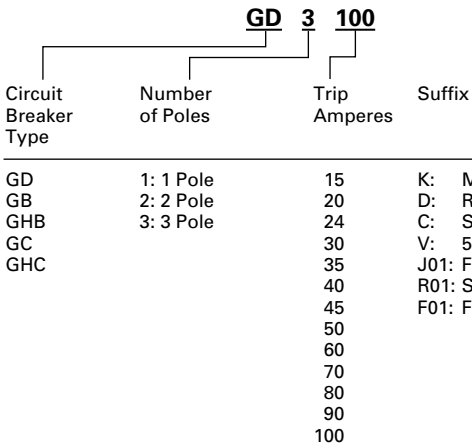
Circuit Breaker Type	Number of Poles	Interrupting Capacity (Symmetrical Amperes) (kA)						Page Number
		Volts Ac (50/60 Hz)				Volts Dc		
		120	240	277	480	125	250 <sup>①②</sup>	
GD	3	–	65	–	22	–	10	26

Circuit Breaker Type	Number of Poles	Interrupting Capacity (Symmetrical Amperes) (kA)						Page Number
		Volts Ac (50/60 Hz)				Volts Dc		
		120	240	277	480Y/277	125	125/250	
GB	1	65	–	–	–	14 <sup>③</sup>	–	27
	2, 3	–	65	–	–	–	14	27
GHB	1	65	–	14	–	14 <sup>③</sup>	–	27
	2, 3	–	65	–	14	–	14	27
GC	1	65	–	–	–	14 <sup>③</sup>	–	28
	2, 3	–	65	–	–	–	14	28
GHC	1	65	–	14	–	14 <sup>③</sup>	–	28
	2, 3	–	65	–	14	–	14	28

Catalog Numbering System

This information is presented only as an aid to understanding catalog numbers. It is not to be used to build catalog numbers for circuit breakers or trip units.

Circuit Breaker/Frame Catalog Number



Terminal Types

For line and load-side. Terminals are UL listed as suitable for wire type and size given below.

Circuit Breaker Amperes	Terminal Type Material	Screw Head Type	Wire Type	AWG Wire Range	Metric Wire <sup>④</sup> Range (mm <sup>2</sup> )
<b>Standard</b>					
15-20	Clamp (Plated Steel)	Slotted	Cu/Al	#14-10	2.5-4
25-100	Pressure (Aluminum Body)	Slotted	Cu/Al	#10-1/0	4-50
<b>Optional</b>					
15-50	Pressure (Steel Body)	Slotted	Cu	–	–

① Two poles of 3-pole circuit breaker.  
 ② Time constant is 8 milliseconds minimum.  
 ③ 15 through 70A breakers only.  
 ④ Not UL listed sizes.

## Series C® G-Frame



Typical Series C G-Frame Circuit Breaker

## Type GD Thermal-Magnetic Circuit Breakers with Non-Interchangeable Trip-Units

Maximum Continuous Ampere Rating @ 40°C	480 Vac Maximum, 250 Vdc <sup>①</sup>	Catalog Number (Includes binding head screws)
	22 kAIC @ 480 Vac	
	Catalog Number (Includes Line and Load Terminals)	

### 3-Pole

15	GD3015	GD3015D
20	GD3020	GD3020D
25	GD3025	GD3025D
30	GD3030	GD3030D
35	GD3035	GD3035D
40	GD3040	GD3040D
45	GD3045	GD3045D
50	GD3050	GD3050D
60	GD3060	GD3060D
70	GD3070	GD3070D
80	GD3080	GD3080D
90	GD3090	GD3090D
100	GD3100	GD3100D

Instruction Leaflet/FRED Number 29C102

## Molded Case Switches

Maximum Continuous Ampere Rating @ 40°C	480 Vac Maximum, 250 Vdc
	Catalog Number (Includes Line and Load Terminals)

### 3-Pole

60	GD3060K
100	GD3100K

Instruction Leaflet/FRED Number 29C102



**Types GB and GHB Bolt-On Panelboard Circuit Breakers**



Typical GB

These breakers meet the requirements of Federal Specification W-C-375b as follows:

Types GB, GHB, 120 and 240 Volts:

- 1 Pole: Class 11a.
- 2, 3 Poles: Classes 10b, 11b, 12b, 14b, 15b

Type GHB, 277 and 480Y/277 Volts:

- 1 Pole: Classes 12c, 13a
- 2, 3 Poles: Class 13b

**Type GB Thermal-Magnetic Circuit Breakers with Non-Interchangeable Trip Units**

Continuous Ampere Rating @ 40°C	120 Vac Maximum, 125 Vdc Maximum <sup>①</sup>	240 Vac Maximum, 125/250 Vdc Maximum	240 Vac Maximum, 125/250 Vdc Maximum <sup>②</sup>
	1-Pole	2-Pole	3-Pole
Catalog Number			
15	GB1015 <sup>③</sup>	GB2015 <sup>③</sup>	GB3015 <sup>③</sup>
20	GB1020 <sup>③</sup>	GB2020 <sup>③</sup>	GB3020 <sup>③</sup>
25	GB1025	GB2025	GB3025
30	GB1030	GB2030	GB3030
35	GB1035	GB2035	GB3035
40	GB1040	GB2040	GB3040
45	GB1045	GB2045	GB3045
50	GB1050	GB2050	GB3050
60	GB1060	GB2060	GB3060
70	GB1070	GB2070	GB3070
80	GB1080	GB2080	GB3080
90	GB1090	GB2090	GB3090
100	GB1100	GB2100	GB3100

**Type GHB Thermal-Magnetic Circuit Breakers with Non-Interchangeable Trip Units<sup>④</sup>**

Continuous Ampere Rating @ 40°C	277/480 Vac Maximum, 125 Vdc Maximum <sup>①</sup>	277/480 Vac Maximum, 125/250 Vdc Maximum	277/480 Vac Maximum, 125/250 Vdc Maximum <sup>②</sup>
	1-Pole	2-Pole	3-Pole
Catalog Number			
15	GHB1015 <sup>③</sup>	GHB2015 <sup>③</sup>	GHB3015 <sup>③</sup>
20	GHB1020 <sup>③</sup>	GHB2020 <sup>③</sup>	GHB3020 <sup>③</sup>
25	GHB1025	GHB2025	GHB3025
30	GHB1030	GHB2030	GHB3030
35	GHB1035	GHB2035	GHB3035
40	GHB1040	GHB2040	GHB3040
45	GHB1045	GHB2045	GHB3045
50	GHB1050	GHB2050	GHB3050
60	GHB1060	GHB2060	GHB3060
70	GHB1070	GHB2070	GHB3070
80	GHB1080	GHB2080	GHB3080
90	GHB1090	GHB2090	GHB3090
100	GHB1100	GHB2100	GHB3100

Instruction Leaflet/FRED Number 15547

**Type GHBGFEP Bolt-on Panelboard 30mA Industrial Ground Fault Circuit Protectors**

15-60 Amperes, 277 Volt, 50/60 Hz



Single Phase  
(Requires 2 Poles)

These circuit breakers meet the requirements of UL489 and UL1053.

Operational voltage 240V to 305V.

**Interrupting Capacity Ratings**

Circuit Breaker Type	Number of Poles	Interrupting Capacity (Symmetrical Amperes)
		277 Volts Ac (50/60 Hz)
GHBGFEP	2	14,000

**Type GHBGFEP Bolt-on Panelboard 30mA Industrial Ground Fault Circuit Protectors with Non-Interchangeable Trip Units**

Continuous Ampere Rating @ 40°C	One Phase (Requires 2 Poles) 277V, 30mA
	Catalog Number
15	GHBGFEP1015
20	GHBGFEP1020
30	GHBGFEP1030
40	GHBGFEP1040
50	GHBGFEP1050
60	GHBGFEP1060

Instruction Leaflet/FRED Number 29C193

- ① 15 through 70 ampere circuit breakers only.
- ② Use (2) outside poles.
- ③ Uses .190-32 screw type clamp terminals.
- ④ 480Y/277V, circuit breakers (Type GHB) not suitable for 3-phase Delta (480V).

## Series C® G-Frame

## Types GC and GHC Circuit Breakers

15-100 Amperes, 120, 240, 277, 480Y/277V, 50/60 Hz, 125, 125/250 Vdc, 1, 2, and 3 Poles



Typical GC

These breakers meet the requirements of Federal Specification W-C-37b as follows:

Types GC, 120 and 240 Volts:

- 1 Pole: Class 11a
- 2, 3 Poles: Classes 10b, 11b, 12b, 14b, 15b

Type GHC, 277 and 480Y/277 Volts:

- 1 Pole: Classes 12c, 13a
- 2, 3 Poles: Class 13b

## Type GC Thermal-Magnetic Circuit Breakers with Non-Interchangeable Trip Units

Continuous Ampere Rating @ 40°C	240 Vac Maximum, 125 Vdc Maximum <sup>①</sup>	240 Vac Maximum, 125/250 Vdc Maximum	240 Vac Maximum, 125/250 Vdc Maximum <sup>②</sup>
	1-Pole	2-Pole	3-Pole
	Catalog Number		
15	GC1015 <sup>③</sup>	GC2015 <sup>③</sup>	GC3015 <sup>③</sup>
20	GC1020 <sup>③</sup>	GC2020 <sup>③</sup>	GC3020 <sup>③</sup>
25	GC1025	GC2025	GC3025
30	GC1030	GC2030	GC3030
35	GC1035	GC2035	GC3035
40	GC1040	GC2040	GC3040
45	GC1045	GC2045	GC3045
50	GC1050	GC2050	GC3050
60	GC1060	GC2060	GC3060
70	GC1070	GC2070	GC3070
80	GC1080	GC2080	GC3080
90	GC1090	GC2090	GC3090
100	GC1100	GC2100	GC3100

## Type GHC Thermal-Magnetic Circuit Breakers with Non-Interchangeable Trip Units

Continuous Ampere Rating @ 40°C	277 Vac Maximum, 125 Vdc Maximum <sup>①</sup>	480Y/277 Vac Maximum, 125/250 Vdc Maximum	480Y/277 Vac Maximum, 125/250 Vdc Maximum <sup>②</sup>
	1-Pole	2-Pole	3-Pole
	Catalog Number		
15	GHC1015 <sup>③</sup>	GHC2015 <sup>③</sup>	GHC3015 <sup>③</sup>
20	GHC1020 <sup>③</sup>	GHC2020 <sup>③</sup>	GHC3020 <sup>③</sup>
25	GHC1025	GHC2025	GHC3025
30	GHC1030	GHC2030	GHC3030
35	GHC1035	GHC2035	GHC3035
40	GHC1040	GHC2040	GHC3040
45	GHC1045	GHC2045	GHC3045
50	GHC1050	GHC2050	GHC3050
60	GHC1060	GHC2060	GHC3060
70	GHC1070	GHC2070	GHC3070
80	GHC1080	GHC2080	GHC3080
90	GHC1090	GHC2090	GHC3090
100	GHC1100	GHC2100	GHC3100

Instruction Leaflet/FRED Number 15548

## Type GHCGFEP Cable In/Cable Out 30mA Industrial Ground Fault Circuit Protectors

15-60 Amperes, 277 Volt, 50/60 Hz



Single Phase  
Requires 2 Poles

These circuit breakers meet the requirements of UL489 and UL1053.

Operational voltage 240V to 305V.

### Interrupting Capacity Ratings

Circuit Breaker Type	Number of Poles	Interrupting Capacity (Symmetrical Amperes)
		277 Volts Ac (50/60 Hz)
GHCGFEP	2	14,000

## Type GHBGFEP Bolt-on Panelboard 30mA Industrial Ground Fault Circuit Protectors with Non-Interchangeable Trip Units

Continuous Ampere Rating @ 40°C	One Phase (Requires 2 Poles) 277V, 30mA
	Catalog Number
15	GHBGFEP1015
20	GHBGFEP1020
30	GHBGFEP1030
40	GHBGFEP1040
50	GHBGFEP1050
60	GHBGFEP1060

Instruction Leaflet/FRED Number 29C193

① 15 through 70 ampere circuit breakers only.

② Use (2) outside poles.

③ Uses .190-32 screw type clamp terminals.

Series C® G-Frame

**Special Purpose Breakers**

These are Types GC and GHC circuit breakers with binding head screw-type terminals on line and load side. These circuit breakers with screw-type terminals (.190-32) will be

marked "Special purpose breaker not for general use." To order this special breaker, use the catalog number below.

**Type GC Thermal-Magnetic Circuit Breakers with Non-Interchangeable Trip Units**

Continuous Ampere Rating @ 40°C	120 Vac Maximum, 125 Vdc Maximum	240 Vac Maximum, 125/250 Vdc Maximum	240 Vac Maximum, 125/250 Vdc Maximum <sup>①</sup>
	1-Pole	2-Pole	3-Pole
Catalog Number			
25	GC1025D	GC2025D	GC3025D
30	GC1030D	GC2030D	GC3030D
35	GC1035D	GC2035D	GC3035D
40	GC1040D	GC2040D	GC3040D
45	GC1045D	GC2045D	GC3045D
50	GC1050D	GC2050D	GC3050D
55	GC1055D	GC2055D	GC3055D
60	GC1060D	GC2060D	GC3060D

**Type GHC Thermal-Magnetic Circuit Breakers with Non-Interchangeable Trip Units**

Continuous Ampere Rating @ 40°C	277 Vac Maximum, 125 Vdc Maximum	480Y/277 Vac Maximum, 125/250 Vdc Maximum	480Y/277 Vac Maximum, 125/250 Vdc Maximum <sup>①</sup>
	1-Pole	2-Pole	3-Pole
Catalog Number			
25	GHC1025D	GHC2025D	GHC3025D
30	GHC1030D	GHC2030D	GHC3030D
35	GHC1035D	GHC2035D	GHC3035D
40	GHC1040D	GHC2040D	GHC3040D
45	GHC1045D	GHC2045D	GHC3045D
50	GHC1050D	GHC2050D	GHC3050D
55	GHC1055D	GHC2055D	GHC3055D
60	GHC1060D	GHC2060D	GHC3060D

Instruction Leaflet/FRED Number 15548

① Use (2) outside poles.

## Series C® G-Frame

## Dimensions/Weights

### Dimensions, Inches (mm)

Number of Poles	Width	Height	Depth
1	1.0 (25.33)	4.88 (123.95)	2.81 (71.41)
2	2.0 (50.78)	4.88 (123.95)	2.81 (71.41)
3	3.0 (76)	4.88 (123.95)	2.81 (71.41)

### Approximate Shipping Weight, Lbs. (kg)

Breaker Type	Number of Poles		
	1	2	3
GD	1.0 (.454)	1.5 (.680)	2.25 (1.021)
GHBGFEP	—	1.2 (.545)	—
GHCGFEP	—	1.1 (.499)	—
GB/GHC	Carton Quantity		
	24	12	8
	16 (7.264)	16 (7.264)	16 (7.264)
GC/GHC	Carton Quantity		
	24	12	8
	18 (8.172)	18 (8.172)	18 (8.172)

## Accessories

### Internal

Alarm Switch .....	139
Auxiliary Switch.....	142
Shunt Trip .....	147
Undervoltage Release Mechanism.....	153

### External

Base Mounting Hardware .....	163
Base Mounting Plate .....	167
DIN Rail Adapter .....	167
Key Operated Attachment.....	167
Lock Dog (non-padlockable)....	168
Padlockable Handle .....	168
Handle Mechanisms .....	180

Series C® F-Frame



Typical Series C F-Frame Breaker

- All Series C F-frame circuit breakers are HACR rated.
- All circuit breakers 10 through 50 amperes are suitable for HID (high intensity discharge) use.
- All F-frame circuit breakers are suitable for reverse feed use.

Interrupting Capacity Ratings

UL489 Interrupting Capacity Ratings

Circuit Breaker Type	Number of Poles	Interrupting Capacity (Symmetrical Amperes) (kA)						Page Number
		Volts Ac (50/60 Hz)				Volts Dc <sup>①</sup>		
		240	277	480	600	125	250 <sup>②③</sup>	
ED	2, 3	65	—	—	—	10	—	32
EDH	2, 3	100	—	—	—	10	—	32
EDC	2, 3	200	—	—	—	10	—	32
EHD	1	—	14	—	—	10	—	32
	2, 3	18	—	14	—	—	10	32
FDB	2, 3, 4	18	—	14	14	—	10	32
FD	1	—	25	—	—	10	—	32
	2, 3, 4	65	—	25	18	—	10	32
HFD	1	—	65	—	—	10	—	33
	2, 3, 4	100	—	65	25	—	22	33
FDC	2, 3, 4	200	—	100	35	—	22	33

IEC 157-1 (P1) Interrupting Capacity Ratings (P1)

Circuit Breaker Type	Number of Poles	Interrupting Capacity (Symmetrical Amperes) (kA)						Page Number
		Volts Ac (50/60 Hz)				Volts Dc <sup>①</sup>		
		220, 240	380, 415	440	500	125	250 <sup>②③</sup>	
ED	2, 3	65	—	—	—	10	—	32
EDH	2, 3	100	—	—	—	10	—	32
EDC	2, 3	200	—	—	—	10	—	32
FDB	2, 3, 4	18	14	14	14	—	10	32
FD	1	25	—	—	—	10	—	32
	2, 3, 4	65	35	35	18	—	10	32
HFD	1	65	—	—	—	10	—	33
	2, 3, 4	100	65	65	25	—	22	33
FDC	2, 3, 4	200	100	100	35	—	22	33

① Dc ratings apply to substantially non-inductive circuits.  
 ② 2-pole circuit breaker, or two poles of 3-pole circuit breaker.  
 ③ Time constant is 3 milliseconds minimum at 10 kA and 8 milliseconds minimum at 22 kA.

Series C® F-Frame

**Types ED, EDH, and EDC Thermal-Magnetic Circuit Breakers with Non-Interchangeable Trip Units Suitable for Reverse Feed**

Maximum Continuous Ampere Rating @ 40°C	240 Vac Maximum, 125 Vdc					
	65 kAIC @ 240 Vac		100 kAIC @ 240 Vac		200 kAIC @ 240 Vac	
	Type ED		Type EDH		Type EDC Current Limiting	
	2-Pole	3-Pole	2-Pole	3-Pole	2-Pole	3-Pole
	Catalog Number (Includes Terminals on Load End Only)					
100	ED2100	ED3100	EDH2100	EDH3100	EDC2100	EDC3100
125	ED2125	ED3125	EDH2125	EDH3125	EDC2125	EDC3125
150	ED2150	ED3150	EDH2150	EDH3150	EDC2150	EDC3150
175	ED2175	ED3175	EDH2175	EDH3175	EDC2175	EDC3175
200	ED2200	ED3200	EDH2200	EDH3200	EDC2200	EDC3200
225	ED2225	ED3225	EDH2225	EDH3225	EDC2225	EDC3225

Instruction Leaflet/FRED Number 29C101

**Type EHD Thermal-Magnetic Circuit Breakers with Non-Interchangeable Trip Units**

Maximum Continuous Ampere Rating @ 40°C	277 Vac Maximum, 125 Vdc		480 Vac Maximum, 250 Vdc	
	14 kAIC @ 277 Vac		14 kAIC @ 480 Vac	
	Type EHD			
	1-Pole	2-Pole	3-Pole	
	Catalog Number (Includes Terminals on Load End Only)			
10 <sup>①</sup>	EHD1010	EHD2010	EHD3010	
15	EHD1015 <sup>②</sup>	EHD2015	EHD3015	
20	EHD1020 <sup>②</sup>	EHD2020	EHD3020	
25	EHD1025	EHD2025	EHD3025	
30	EHD1030	EHD2030	EHD3030	
35	EHD1035	EHD2035	EHD3035	
40	EHD1040	EHD2040	EHD3040	
45	EHD1045	EHD2045	EHD3045	
50	EHD1050	EHD2050	EHD3050	
60	EHD1060	EHD2060	EHD3060	
70	EHD1070	EHD2070	EHD3070	
80	EHD1080	EHD2080	EHD3080	
90	EHD1090	EHD2090	EHD3090	
100	EHD1100	EHD2100	EHD3100	

Instruction Leaflet/FRED Number 29C101

**Type FD Thermal-Magnetic Circuit Breakers with Non-Interchangeable Trip Units**

Maximum Continuous Ampere Rating @ 40°C	600 Vac Maximum, 250 Vdc			277 Vac Maximum, 125 Vdc		600 Vac Maximum, 250 Vdc		
	14 kAIC @ 600 Vac			25 kAIC @ 277 Vac		25 kAIC @ 480 Vac		
	Type FDB			Type FD				
	2-Pole	3-Pole	4-Pole	1-Pole	2-Pole	3-Pole	4-Pole	
	Catalog Number (Includes Terminals on Load End Only)							
10 <sup>①</sup>	FDB2010	FDB3010	FDB4010	FD1010	—	—	—	
15	FDB2015	FDB3015	FDB4015	FD1015 <sup>②</sup>	FD2015	FD3015	FD4015	
20	FDB2020	FDB3020	FDB4020	FD1020 <sup>②</sup>	FD2020	FD3020	FD4020	
25	FDB2025	FDB3025	FDB4025	FD1025	FD2025	FD3025	FD4025	
30	FDB2030	FDB3030	FDB4030	FD1030	FD2030	FD3030	FD4030	
35	FDB2035	FDB3035	FDB4035	FD1035	FD2035	FD3035	FD4035	
40	FDB2040	FDB3040	FDB4040	FD1040	FD2040	FD3040	FD4040	
45	FDB2045	FDB3045	FDB4045	FD1045	FD2045	FD3045	FD4045	
50	FDB2050	FDB3050	FDB4050	FD1050	FD2050	FD3050	FD4050	
60	FDB2060	FDB3060	FDB4060	FD1060	FD2060	FD3060	FD4060	
70	FDB2070	FDB3070	FDB4070	FD1070	FD2070	FD3070	FD4070	
80	FDB2080	FDB3080	FDB4080	FD1080	FD2080	FD3080	FD4080	
90	FDB2090	FDB3090	FDB4090	FD1090	FD2090	FD3090	FD4090	
100	FDB2100	FDB3100	FDB4100	FD1100	FD2100	FD3100	FD4100	
110	FDB2110	FDB3110	FDB4110	FD1110	FD2110	FD3110	FD4110	
125	FDB2125	FDB3125	FDB4125	FD1125	FD2125	FD3125	FD4125	
150	FDB2150	FDB3150	FDB4150	FD1150	FD2150	FD3150	FD4150	
175	—	—	—	—	FD2175	FD3175	FD4175	
200	—	—	—	—	FD2200	FD3200	FD4200	
225	—	—	—	—	FD2225	FD3225	FD4225	

Instruction Leaflet/FRED Number 29C101

① Not UL listed. 5 kAIC interrupting rating.  
② UL listed for SWD applications, see NEC Article 240-83 (d).



Series C® F-Frame

Types HFD and FDC Thermal-Magnetic Circuit Breakers with Non-Interchangeable Trip Units

Maximum Continuous Ampere Rating @ 40°C	600 Vac Maximum, 250 Vdc		277 Vac Maximum, 125 Vdc		600 Vac Maximum, 250 Vdc		
	65 kAIC @ 277 Vac		65 kAIC @ 480 Vac		100 kAIC @ 480 Vac		
	Type HFD				Type FDC Current Limiting		
	1-Pole	2-Pole	3-Pole	4-Pole	2-Pole	3-Pole	4-Pole
Catalog Number (Includes Terminals on Load End Only)							
15	HFD1015	HFD2015	HFD3015	HFD4015	FDC2015	FDC3015	FDC4015
20	HFD1020	HFD2020	HFD3020	HFD4020	FDC2020	FDC3020	FDC4020
25	HFD1025	HFD2025	HFD3025	HFD4025	FDC2025	FDC3025	FDC4025
30	HFD1030	HFD2030	HFD3030	HFD4030	FDC2030	FDC3030	FDC4030
35	HFD1035	HFD2035	HFD3035	HFD4035	FDC2035	FDC3035	FDC4035
40	HFD1040	HFD2040	HFD3040	HFD4040	FDC2040	FDC3040	FDC4040
45	HFD1045	HFD2045	HFD3045	HFD4045	FDC2045	FDC3045	FDC4045
50	HFD1050	HFD2050	HFD3050	HFD4050	FDC2050	FDC3050	FDC4050
60	HFD1060	HFD2060	HFD3060	HFD4060	FDC2060	FDC3060	FDC4060
70	HFD1070	HFD2070	HFD3070	HFD4070	FDC2070	FDC3070	FDC4070
80	HFD1080	HFD2080	HFD3080	HFD4080	FDC2080	FDC3080	FDC4080
90	HFD1090	HFD2090	HFD3090	HFD4090	FDC2090	FDC3090	FDC4090
100	HFD1100	HFD2100	HFD3100	HFD4100	FDC2100	FDC3100	FDC4100
110	HFD1110	HFD2110	HFD3110	HFD4110	FDC2110	FDC3110	FDC4110
125	HFD1125	HFD2125	HFD3125	HFD4125	FDC2125	FDC3125	FDC4125
150	HFD1150	HFD2150	HFD3150	HFD4150	FDC2150	FDC3150	FDC4150
175	-	HFD2175	HFD3175	HFD4175	FDC2175	FDC3175	FDC4175
200	-	HFD2200	HFD3200	HFD4200	FDC2200	FDC3200	FDC4200
225	-	HFD2225	HFD3225	HFD4225	FDC2225	FDC3225	FDC4225

Instruction Leaflet/FRED Number 29C101

Molded Case Switches

Molded case switches are used as compact switches in applications requiring high current switching capabilities. Molded case switches are constructed of circuit breaker components and are of the high instantaneous automatic type. Molded case switches are listed in accordance with Underwriters Laboratories, Inc., Standard UL 1087.

Maximum Continuous Ampere Rating @ 40°C	480 Vac Maximum, 250 Vdc		600 Vac Maximum, 250 Vdc	
	Complete Circuit Breaker with Load Side Terminals Only		Complete Circuit Breaker with Load Side Terminals Only	
	Catalog Number			

2-Pole

	EHD2100K	FD2100K
100	-	FD2150K
150	-	FD2225K
225	-	

3-Pole

	EHD3100K	FD3100K
100	-	FD3150K
150	-	FD3225K
225	-	

4-Pole

		FD4100K
100	-	FD4150K
150	-	FD4225K
225	-	

**Note:** Molded Case Switches may open above 1800 amperes.

Instruction Leaflet/FRED Number 29C101

**Series C® F-Frame**

**Line and Load Terminals**

Line and load terminals provide wire connecting capabilities for specific ranges of continuous current ratings and wire types. Except as noted, terminals comply with Underwriters Laboratories, Inc., Standards UL486A and UL486B. Unless otherwise specified, F-frame circuit breakers

are factory equipped with load terminals only.

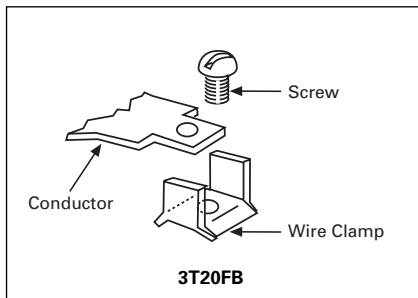
**Ordering Information**

F-frame circuit breakers and molded case switches have load terminals only as standard equipment. When standard line-end terminals (same as

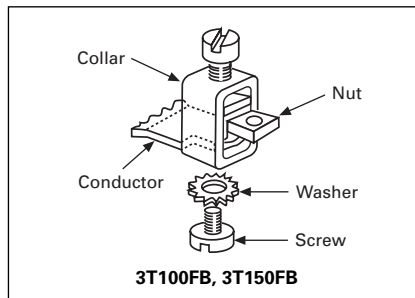
standard load-end terminals) are required, add suffix L to the circuit breaker catalog number. When non-standard or optional line and/or load terminals are required, order by style number. Specify if factory installation is required.

**Line and Load Terminals**

Maximum Breaker Amperes	Terminal Body Material	Wire Type	AWG Wire Range	Metric Wire Range mm <sup>2</sup>	Package of 3 Terminals
					Catalog Number
<b>Standard Pressure Type Terminals</b>					
20 (EHD)	Steel	Cu/Al	#14-#10	2.5-4	<b>3T20FB</b> ①
100	Steel	Cu/Al	#14-1/0	2.5-50	<b>3T100FB</b>
225	Aluminum	Cu/Al	#14-4/0	25-95	<b>3TA225FD</b>
<b>Optional Pressure Terminals</b>					
50	Aluminum	Cu/Al	#14-#4	2.5-16	<b>3TA50FB</b> ①
100	Aluminum	Cu/Al	#14-1/0	2.5-50	<b>3TA100FD</b>
200	Stainless Steel	Cu	#4-4/0	25-95	<b>3T150FB</b>
225	Aluminum	Cu/Al	#6-300 kcmil	16-150	<b>3TA225FDK</b> ②



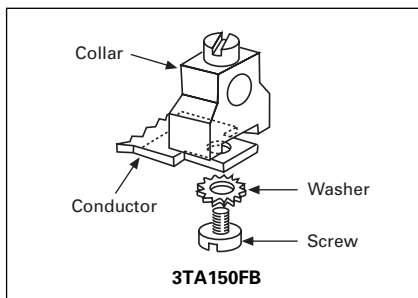
Assemble wire clamp to bottom of conductor as shown.



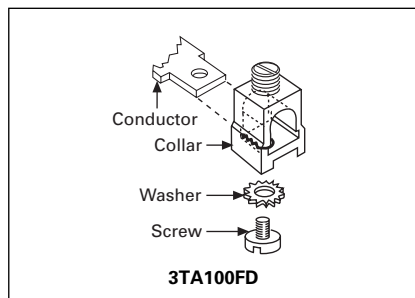
Insert collar enclosing conductor as shown. Locate nut on top of conductor and tighten securely with screw and washer. Caution: Collar must surround conductor.



Insert collar enclosing conductor and center on extrusion on collar. Install clip with legs on top of conductor and snap end around bottom of collar.



Assemble collar on top of conductor as shown. Tighten securely with screw and washer.



Collar slides onto conductor and is held in position by a screw and lockwasher.



Assemble collar on top of conductor as shown. Tighten securely with screw and washer. Terminal shield must be used with this collar.

① Not for use with ED, EDH, EDC breakers.

② Includes terminal shield kit. Adds approximately 3 inches to breaker height. Available for use on 3-pole breaker only.

### Catalog Numbering System

This information is presented only as an aid to understanding catalog numbers. It is not to be used to build catalog numbers for circuit breakers or trip units.

#### Circuit Breaker Catalog Number



### Dimensions/Weights

#### Dimensions, Inches (mm)

Number of Poles	Width	Height	Depth
1	1.375 (35)	6 (152)	3.375 (86)
2	2.75 (70)	6 (152)	3.375 (86)
3	4.125 (105)	6 (152)	3.375 (86)
4	5.5 (140)	6 (152)	3.375 (86)

#### Approximate Shipping Weight, Lbs. (kg)

Breaker Type	Number of Poles			
	1	2	3	4
ED, EDH, EDC	–	3 (1.361)	4.5 (2.041)	–
EHD, FDB, FD, HFD, FDC	2 (.907)	3 (1.361)	4.5 (2.041)	6 (2.721)

## Series C® F-Frame

## Allowable Accessory Combinations

Different combinations of accessories can be supplied, depending on the types of accessories and the number of poles in the circuit breaker.

	Reference Page	1-Pole		2-Pole		3-Pole			4-Pole			
		Center		Left	Right	Left	Center	Right	Left	Center	Right	Neu.
<b>Internal Accessories</b>												
Alarm Lockout Switch (Make Only)	139	■										
Alarm Lockout (Make/Break)	139				■		□		□		■	
Alarm Lockout (2Make/2Break)	139				■		□		□		■	
Auxiliary Switch (1A, 1B)	142				■		■		■		■	■
Auxiliary Switch (2A, 2B)	142				■		■		■		■	■
Auxiliary Switch and Alarm Switch Combination	145				■		□		□		■	
Shunt Trip – Standard	148				■		■		■		■	■
Shunt Trip – Low Energy	152				■		■		■		■	
Undervoltage Release Mechanism	154				■		■		■		■	
<b>External Accessories</b>												
End Cap Kit	161				●				●			●
Keeper Nut	161	●			●				●			●
Control Wire Terminal Kit	162	●			●				●			●
Multiwire Connectors	162	●			●				●			●
Base Mounting Hardware	163	●			●				●			●
Terminal Shields	165	●			●				●			●
Terminal End Covers	166								●			
Interphase Barriers	166				●				●			●
Non-Padlockable Handle Block	168	■			■				■		■	
Snap-on Padlockable Handle Lock Hasp	168	■			■				■		■	
Padlockable Handle Lock Hasp	169				■		□		□		□	□
Cylinder Lock	169						■					
Key Interlock Kit	170				■		□		□		□	□
Sliding Bar Interlock – Requires Two Breakers	171								●			
Walking Beam Interlock – Requires Two Breakers	171								●			●
Electrical (Solenoid) Operator	172								●			●
Plug-in Adapters	174				●				●			●
Rear Connecting Studs	175	●			●				●			●
Panelboard Connecting Straps	177	●			●				●			●
Handle Mechanisms	178								●			
Door Hardware/Accessories	182								●			●
LFD Current Limiter	183								●			
IQ Energy Sentinel	184				●				●			
<b>Modifications (Refer to Cutler-Hammer)</b>												
Special Calibration	186	●			●				●			●
Moisture Fungus Treatment	186	●			●				●			●
Freeze-Tested Circuit Breakers	186	●			●				●			●
Marine Application	186	●			●				●			●

■ Applicable in indicated pole position

□ May be mounted on left or right pole – not both

● Accessory available/Modification available

Series C® J-Frame



Typical Series C J-Frame Circuit Breaker

- All Series C J-frame Circuit Breakers are HACR rated.
- J-frame circuit breakers are available as individual components (Frame, Trip Unit, Terminals), or factory assembled complete breakers.
- J-frame circuit breakers with non-interchangeable trip units are suitable for reverse feed use.

Interrupting Capacity Ratings

UL489 Interrupting Capacity Ratings

Circuit Breaker Type	Number of Poles	Interrupting Capacity (Symmetrical Amperes) (kA)						Page Number
		Volts Ac (50/60 Hz)				Volts Dc		
		240	480	600	125	250 <sup>①②</sup>	500 <sup>③</sup>	
JDB	2, 3	65	35	18	—	10	—	39
JD	2, 3, 4	65	35	18	—	10	—	38
HJD	2, 3, 4	100	65	25	—	22	—	38
JDC	2, 3, 4	200	100	35	—	22	—	38

IEC 157-1 (P1) Interrupting Capacity Ratings

Circuit Breaker Type	Number of Poles	Interrupting Capacity (Symmetrical Amperes) (kA)						Page Number
		Volts Ac (50/60 Hz)					Volts Dc	
		240	380	415	600	125	250 <sup>①②</sup>	
JD	2, 3, 4	65	35	35	—	—	10	38
HJD	2, 3, 4	100	65	65	—	—	22	38
JDC	2, 3, 4	200	100	100	—	—	22	38

① 2-pole circuit breaker or two outside poles of 3-pole circuit breaker.  
 ② Time constant is 3 milliseconds minimum at 10 kA and 8 milliseconds minimum at 22 kA.  
 ③ 8 milliseconds time constant.

## Series C® J-Frame

## Types JD, HJD, and JDC Thermal-Magnetic Circuit Breakers with Interchangeable Trip Units

Maximum Continuous Ampere Rating @ 40°C	Standard Interrupting Capacity 600 Vac Rated 25 kAIC @ 480 Vac		High Interrupting Capacity 600 Vac Rated 65 kAIC @ 480 Vac		Ultra High Interrupting Capacity Current Limiting 600 Vac Rated 100 kAIC @ 480 Vac		Thermal Magnetic Trip Unit Only  For Use With: Standard or High or Ultra High Interrupting Frames	Standard Terminals Only  See Page 40 for Optional Terminals
	Factory Assembled Circuit Consisting of Frame, Trip Unit, and Terminals	Frame Only	Factory Assembled Circuit Consisting of Frame, Trip Unit, and Terminals	Frame Only	Factory Assembled Circuit Consisting of Frame, Trip Unit, and Terminals	Frame Only		
	Catalog Number							

## 2-Pole

70	JD2070	JD2250F	HJD2070	HJD2250F	JDC2070	JDC2250F	JT2070T	TA250KB①
90	JD2090		HJD2090		JDC2090		JT2090T	
100	JD2100		HJD2100		JDC2100		JT2100T	
125	JD2125		HJD2125		JDC2125		JT2125T	
150	JD2150		HJD2150		JDC2150		JT2150T	
175	JD2175		HJD2175		JDC2175		JT2175T	
200	JD2200		HJD2200		JDC2200		JT2200T	
225	JD2225		HJD2225		JDC2225		JT2225T	
250	JD2250		HJD2250		JDC2250		JT2250T	

## 3-Pole

70	JD3070	JD3250F	HJD3070	HJD3250F	JDC3070	JDC3250F	JT3070T	TA250KB①
90	JD3090		HJD3090		JDC3090		JT3090T	
100	JD3100		HJD3100		JDC3100		JT3100T	
125	JD3125		HJD3125		JDC3125		JT3125T	
150	JD3150		HJD3150		JDC3150		JT3150T	
175	JD3175		HJD3175		JDC3175		JT3175T	
200	JD3200		HJD3200		JDC3200		JT3200T	
225	JD3225		HJD3225		JDC3225		JT3225T	
250	JD3250		HJD3250		JDC3250		JT3250T	

## 4-Pole②③

70	JD4070	JD4250F	HJD4070	HJD4250F	JDC4070	JDC4250F	JT4070T	TA250KB①
90	JD4090		HJD4090		JDC4090		JT4090T	
100	JD4100		HJD4100		JDC4100		JT4100T	
125	JD4125		HJD4125		JDC4125		JT4125T	
150	JD4150		HJD4150		JDC4150		JT4150T	
175	JD4175		HJD4175		JDC4175		JT4175T	
200	JD4200		HJD4200		JDC4200		JT4200T	
225	JD4225		HJD4225		JDC4225		JT4225T	
250	JD4250		HJD4250		JDC4250		JT4250T	

Instruction Leaflet/FRED Number 29C103 for Breaker; 29C600 for Thermal Magnetic Trip Unit

① Individually packed.

② Fully rated neutral pole with no protection.

③ Neutral is in right pole.



**Type JDB Thermal-Magnetic Circuit Breakers with Non-Interchangeable Thermal-Magnetic Trip Units**

Maximum Continuous Ampere Rating @ 40°C	600 Vac Rated, 250 Vdc	
	Complete Circuit Breaker	
	Without Line and Load Terminals	With Standard Line and Load Terminals Only
	Catalog Number	

**2-Pole**

70	JDB2070W	JDB2070
90	JDB2090W	JDB2090
100	JDB2100W	JDB2100
125	JDB2125W	JDB2125
150	JDB2150W	JDB2150
175	JDB2175W	JDB2175
200	JDB2200W	JDB2200
225	JDB2225W	JDB2225
250	JDB2250W	JDB2250

**3-Pole**

70	JDB3070W	JDB3070
90	JDB3090W	JDB3090
100	JDB3100W	JDB3100
125	JDB3125W	JDB3125
150	JDB3150W	JDB3150
175	JDB3175W	JDB3175
200	JDB3200W	JDB3200
225	JDB3225W	JDB3225
250	JDB3250W	JDB3250

Instruction Leaflet/FRED Number 29C103 for Breaker

**Molded Case Switches**

Molded case switches are used as compact switches in applications requiring high current switching capabilities. Molded case switches are constructed of circuit breaker components and are of the high instantaneous automatic type. Molded case switches are listed in accordance with Underwriters Laboratories, Inc., Standard UL 1087.

Maximum Continuous Ampere Rating @ 40°C	600 Vac Maximum, 250 Vdc		Standard Terminals Only
	Complete Circuit Breaker Only Without Line and Load Terminals		
		Suitable for Reverse Feed Use	See page 40 for Optional Terminals
	Catalog Number		

**2-Pole**

250	JD2250WK	JDB2250WK	TA250KB①
-----	----------	-----------	----------

**3-Pole**

250	JD3250WK	JDB3250WK	TA250KB①
-----	----------	-----------	----------

**Note:** Molded case switches may open above 2500 amperes.

Instruction Leaflet/FRED Number 29C103

① Individually packed.

## Series C® J-Frame

### Line and Load Terminals

Line and load terminals provide wire connecting capabilities for specific ranges of continuous current ratings and wire types. All terminals comply with Underwriters Laboratories, Inc., Standards UL486A and UL486B and CSA Standard C22.2 No. 65, or Electrical Bulletin 1165. Unless otherwise specified, J-frame circuit breaker line and load terminals are shipped separately for field installation.

The bottom of the standard TA250KB terminal contains a recess which is positioned over the J-frame circuit breaker terminal conductor.

### Ordering Information

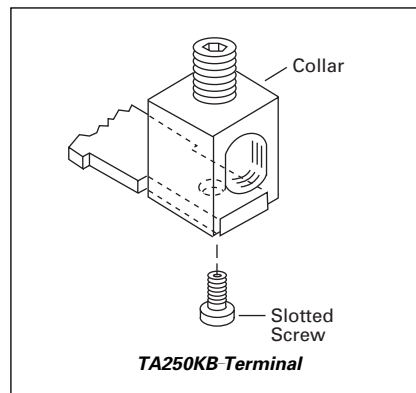
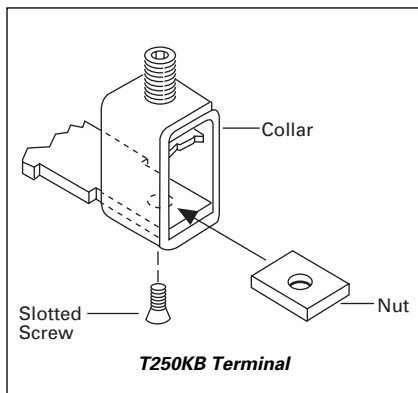
J-frame circuit breakers use Cu/Al terminals as standard. When optional copper-only terminals are required, order by catalog number. Specify if factory installation is required.

### Line and Load Terminals

Maximum Breaker Amperes	Terminal Body Material	Wire Type	AWG Wire Range/ No. Conductors	Metric Wire Range mm <sup>2</sup>	Catalog Numbers
-------------------------	------------------------	-----------	-----------------------------------	-----------------------------------	-----------------

#### Standard Cu/Al Pressure Terminals

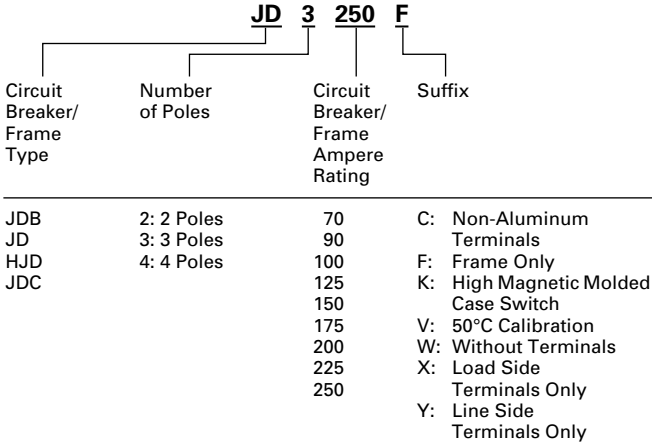
250 250	Aluminum Stainless Steel	Cu/Al Cu	#4-350 kcmil #4-350 kcmil	25-185 25-185	<b>TA250KB</b> <b>T250KB</b>
------------	-----------------------------	-------------	------------------------------	------------------	---------------------------------



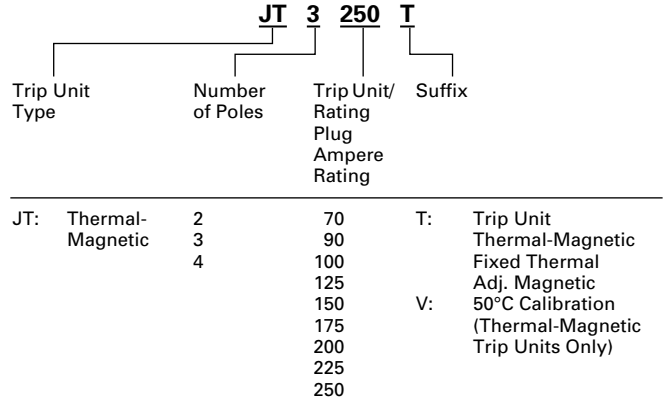
**Catalog Numbering System**

This information is presented only as an aid to understanding catalog numbers. It is not to be used to build catalog numbers for circuit breakers or trip units.

**Circuit Breaker/Frame Catalog Number**



**Trip Unit Catalog Number**



**Dimensions/Weights**

**Dimensions, Inches (mm)**

Number of Poles	Width	Height	Depth
2, 3	4.125 (105)	10 (255)	4.063 (103)
4	5.5 (140)	10 (254)	4.063 (103)

**Approximate Shipping Weight, Lbs. (kg)**

Breaker Type	Complete Breaker			Frame Only			Trip Unit①		
	Number of Poles								
	2	3	4	2	3	4	2	3	4
JDB	11.25 (5.103)	12.5 (5.670)	—	—	—	—	—	—	—
JD	11.25 (5.103)	12.5 (5.670)	13.25 (6.010)	9 (4.082)	10 (4.536)	10.5 (4.763)	2 (.907)	2 (.907)	2.25 (1.021)
HJD	11.25 (5.103)	12.5 (5.670)	13.25 (6.010)	9 (4.082)	10 (4.536)	10.5 (4.763)	2 (.907)	2 (.907)	2.25 (1.021)
JDC	12.25 (5.103)	13.5 (6.124)	14.25 (6.470)	10 (4.536)	11 (4.990)	11.5 (5.217)	2 (.907)	2 (.907)	2.25 (1.021)

## Series C® J-Frame

## Series C® J-Frame Allowable Accessory Combinations

Different combinations of accessories can be supplied, depending on the types of accessories and the number of poles in the circuit breaker.

	Reference Page	2-, 3-Pole			4-Pole				
		Left	Center	Right	Left	Center	Right	Neu.	
<b>Internal Accessories (Only One Internal Accessory Per Pole)</b>									
Alarm Lockout (Make/Break)	140								
Auxiliary Switch (1A, 1B)	142	■		■	■		■	■	
Auxiliary Switch (2A, 2B)	142	■		■	■		■	■	
Auxiliary Switch and Alarm Switch Combination	145	□		□	□		□	□	
Shunt Trip – Standard	148	■		■	■		■	■	
Shunt Trip – Low Energy	152	■		■	■		■	■	
Undervoltage Release Mechanism	155	■		■	■		■	■	
<b>External Accessories</b>									
End Cap Kit	161		●				●		
Plug Nut	161		●				●		
Control Wire Terminal Kit	162		●				●		
Multiwire Connectors	162		●				●		
Base Mounting Hardware	163		●				●		
Terminal Shields	165		●				●		
Interphase Barriers	166		●				●		
Non-Padlockable Handle Block	168		■				■		
Padlockable Handle Block	168		■				■		
Padlockable Handle Lock Hasp	169	□		□	□		□		
Cylinder Lock	169	□		□	□		□		
Key Interlock Kit	170	□		□	□		□		
Sliding Bar Interlock – Requires Two Breakers	171		●				●		
Electrical (Solenoid) Operator	172		●				●		
Plug-in Adapters	174		●				●		
Rear Connecting Studs	176		●				●		
Panelboard Connecting Straps	177		●				●		
Handle Mechanisms	178		●				●		
Door Hardware/Accessories	182		●				●		
Handle Extension	182		●				●		
IQ Energy Sentinel	184		●				●		
<b>Modifications (Refer to Cutler-Hammer)</b>									
Special Calibration	186		●				●		
Moisture Fungus Treatment	186		●				●		
Freeze-Tested Circuit Breakers	186		●				●		
Marine/Naval Application	186		●				●		

■ Applicable in indicated pole position

□ May be mounted on left or right pole – not both

● Accessory available/Modification available

Series C® K-Frame



Typical Series C K-Frame Circuit Breaker

- All Series C K-frame Circuit Breakers are HACR rated.
- K-frame circuit breakers are available as individual components (Frame, Trip Unit, Terminals), or factory assembled complete breakers. OPTIM circuit breakers are available as factory assembled only.
- K-frame circuit breakers with non-interchangeable trip units are suitable for reverse feed use.

Interrupting Capacity Ratings

NEMA/UL489/CSA Interrupting Capacity Ratings

Circuit Breaker Type	Number of Poles	Interrupting Capacity (Symmetrical Amperes) (kA)					Page Number
		Volts Ac (50/60Hz)				Volts Dc	
		240	277	480	600		
DK	2, 3	65	—	—	—	10	47
KDB	2, 3, 4	65	—	35	25	10	47
KD	2, 3, 4	65	—	35	25	10	45, 46, 49
HKD	2, 3, 4	100	—	65	35	22	45, 46, 49
KDC	2, 3, 4	200	—	100	50	22	45, 46, 49
CKD	3	65	—	35	25	10	48, 50
CHKD	3	100	—	65	35	22	48, 50

IEC 157-1 (P1) Interrupting Capacity Ratings

Circuit Breaker Type	Number of Poles	Interrupting Capacity (Symmetrical Amperes) (kA)						Page Number
		Volts Ac (50/60Hz)						
		240	380	415	440	500	600	
DK	2, 3	65	—	—	—	—	10	47
KDB	2, 3, 4	65	40	40	—	—	10	47
KD	2, 3, 4	65	40	40	—	—	10	45, 46, 49
HKD	2, 3, 4	100	65	65	—	—	22	45, 46, 49
KDC	2, 3, 4	200	100	100	—	—	22	45, 46, 49

① Weights shown are for thermal magnetic trip units. 3-pole electronic trip units weigh 2.5 lbs. (1.134 kg).  
 ② 2-pole circuit breaker or two outside poles of 3-pole circuit breaker.  
 ③ Time constant is 3 milliseconds minimum at 10 kA and 8 milliseconds minimum at 22 kA.

## Series C® K-Frame

## K-Frame Digitrip Selection Guide

Trip Unit Type	Digitrip RMS 310	Digitrip OPTIM 550	
RMS Sensing	Yes	Yes	
<b>Breaker Type</b>			
Frame	K	K	
Ampere Range	70-400A	70-400A	
Interrupting Rating at 480V	35, 65, 100 (kA)	35, 65, 100 (kA)	
<b>Protection</b>			
Ordering Options	LS, LSG	LSI, LSIG	LSI, LSI(A), LSIG
Fixed Rated Plug ( $I_n$ )	Yes	Yes	Yes
Overtemperature Trip	Yes	Yes	Yes
<b>Long Delay Protection (L)</b>			
Adjustable Rating Plug ( $I_n$ )	Yes	Yes	No
Long Delay Pickup	0.5-1.0 ( $I_n$ ) <sup>①</sup>	0.5-1.0 ( $I_n$ ) <sup>①</sup>	0.4-1.0 x ( $I_n$ )
Long Delay Time I <sup>2</sup> T	12 Seconds	12 Seconds	2-24 Seconds
Long Delay Time I <sup>4</sup> T	No	No	1-5 Seconds
Long Delay Thermal Memory	Yes	Yes	Yes
High Load Alarm	No	No	0.5-1.0 x $I_r$
<b>Short Delay Protection (S)</b>			
Short Delay Pickup	200-800% x ( $I_n$ )	200-800% x ( $I_n$ )	150-800% x ( $I_n$ )
Short Delay Time I <sup>2</sup> T	100 ms	No	100-500 ms
Short Delay Time Flat	No	Inst-300 ms	100-500 ms
Short Delay Time Zone Selective Interlocking	No	No	No
<b>Instantaneous Protection (I)</b>			
Instantaneous Pickup	No	200-800% x ( $I_n$ )	200-800% x ( $I_n$ )
Discriminator	No	No	Yes
Instantaneous Override	Yes	Yes	Yes
<b>Ground Fault Protection (G)</b>			
Ground Fault Alarm	No	No	20-100% x ( $I_s$ )
Ground Fault Pickup	Varies by Frame	Varies by Frame	20-100% x ( $I_s$ )
Ground Fault Delay I <sup>2</sup> T	No	No	100-500 ms
Ground Fault Delay Flat	Inst-500 ms	Inst-500 ms	100-500 ms
Ground Fault Zone Selective Interlocking	No	No	No
Ground Fault Thermal Memory	Yes	Yes	Yes
<b>System Diagnostics</b>			
Status LEDs	Yes	Yes	Yes
Cause of Trip LEDs	No	No	Yes
Magnitude of Trip Information	No	No	Yes
Remote Signal Contact – Ground Alarm	Yes	Yes	No
Local Auxiliary and Bell Alarm Contact	Optional	Optional	Optional
<b>System Monitoring</b>			
Digital Display	No	No	Yes <sup>②</sup>
Current	No	No	Yes
Power and Energy	No	No	No
Power Quality-Harmonics	No	No	No
Power Factor	No	No	No
<b>Communications</b>			
Cutler-Hammer PowerNet	No	No	No <sup>③</sup>
<b>Testing</b>			
Testing Method	Test Set	OPTIMizer, BIM, Cutler-Hammer PowerNet	

① Adjust by rating plug.

② By OPTIMizer/BIM.

③ Cutler-Hammer PowerNet kit for field upgrade.

BIM = Breaker Interface Module

(A) = GF Alarm

 $I_s$  = Sensor Rating $I_n$  = Rating Plug $I_r$  = Long Delay Pickup Setting

Series C® K-Frame

Types KD, HKD, and KDC Thermal-Magnetic Circuit Breakers with Interchangeable Trip Units

Maximum Continuous Ampere Rating @ 40°C	Standard Interrupting Capacity 600 Vac Rated 35 kAIC @ 480 Vac		High Interrupting Capacity 600 Vac Rated 65 kAIC @ 480 Vac		Ultra High Interrupting Capacity Current Limiting 600 Vac Rated 100 kAIC @ 480 Vac		Thermal Magnetic Trip Unit Only  For Use With: Standard or High or Ultra High Interrupting Frames	Standard Terminals Only  See Page 51 for Optional Terminals
	Factory Assembled Circuit Consisting of Frame, Trip Unit, and Terminals	Frame Only	Factory Assembled Circuit Consisting of Frame, Trip Unit, and Terminals	Frame Only	Factory Assembled Circuit Consisting of Frame, Trip Unit, and Terminals	Frame Only		
	Catalog Number							

2-Pole

100	KD2100	KD2400F	HKD2100	HKD2400F	KDC2100	KDC2400F	KT2100T	TA300K①
125	KD2125		HKD2125		KDC2125		KT2125T	TA300K①
150	KD2150		HKD2150		KDC2150		KT2150T	TA300K①
175	KD2175		HKD2175		KDC2175		KT2175T	TA300K①
200	KD2200		HKD2200		KDC2200		KT2200T	TA300K①
225	KD2225		HKD2225		KDC2225		KT2225T	TA300K①
250	KD2250		HKD2250		KDC2250		KT2250T	TA350K①
300	KD2300		HKD2300		KDC2300		KT2300T	TA350K①
350	KD2350		HKD2350		KDC2350		KT2350T	TA350K①
400	KD2400		HKD2400		KDC2400		KT2400T	2TA400K②

3-Pole

100	KD3100	KD3400F	HKD3100	HKD3400F	KDC3100	KDC3400F	KT3100T	TA300K①
125	KD3125		HKD3125		KDC3125		KT3125T	TA300K①
150	KD3150		HKD3150		KDC3150		KT3150T	TA300K①
175	KD3175		HKD3175		KDC3175		KT3175T	TA300K①
200	KD3200		HKD3200		KDC3200		KT3200T	TA300K①
225	KD3225		HKD3225		KDC3225		KT3225T	TA300K①
250	KD3250		HKD3250		KDC3250		KT3250T	TA350K①
300	KD3300		HKD3300		KDC3300		KT3300T	TA350K①
350	KD3350		HKD3350		KDC3350		KT3350T	TA350K①
400	KD3400		HKD3400		KDC3400		KT3400T	3TA400K②

4-Pole

100	KD4100	KD4400F	HKD4100	HKD4400F	KDC4100	KDC4400F	KT3100T	TA300K①
125	KD4125		HKD4125		KDC4125		KT3125T	TA300K①
150	KD4150		HKD4150		KDC4150		KT3150T	TA300K①
175	KD4175		HKD4175		KDC4175		KT3175T	TA300K①
200	KD4200		HKD4200		KDC4200		KT3200T	TA300K①
225	KD4225		HKD4225		KDC4225		KT3225T	TA300K①
250	KD4250		HKD4250		KDC4250		KT3250T	TA350K①
300	KD4300		HKD4300		KDC4300		KT3300T	TA350K①
350	KD4350		HKD4350		KDC4350		KT3350T	TA350K①
400	KD4400		HKD4400		KDC4400		KT3400T	4TA400K②

Instruction Leaflet/FRED Number 29C104 for Breaker; 29C603 for Thermal Magnetic Trip Unit

① Individually packed.  
② 2TA400K, 3TA400K, and 4TA400K terminal kits contain one terminal for each pole and one terminal cover.



Series C® K-Frame

Types KD, HKD, and KDC Electronic Circuit Breakers with Interchangeable Trip Units

Order as individual components: Breaker Frame, Trip Unit, Rating Plug, Terminals.

Maximum Continuous Ampere Rating @ 40°C <sup>①</sup>	Circuit Breaker Frame Only			Digitrip RMS 310 Trip Unit Only <sup>②</sup>				Digitrip 310 Rating Plug Only			Standard Terminals Only  See Page 51 for Optional Terminals
	Standard Interrupting Capacity 600 Vac Rated 35 kAIC @ 480 Vac	High Interrupting Capacity 600 Vac Rated 65 kAIC @ 480 Vac	Ultra High Interrupting Capacity Current Limiting 600 Vac Rated 100 kAIC @ 480 Vac	Standard	Options			Ampere Rating	Fixed Rating Plug	Adjustable Rating Plugs  Ampere Rating Catalog Number	
				Adjustable Short Time Delay with I <sup>2</sup> t Short Delay Ramp	Independently Adjustable Short Time Pickup and Delay	Adjustable Short Time Pickup with I <sup>2</sup> t Short Delay and Ground Fault Protection	Independently Adjustable Short Time Pickup and Delay and Ground Fault Protection				
Catalog Number											

3-Pole<sup>③</sup>

125	KD3400F	HKD3400F	KDC3400F	KES3125LS	KES3125LSI	KES3125LSG	KES3125LSIG	70 90 100 110 125	1KES070T 1KES090T 1KES100T 1KES110T 1KES125T	70/90/100/125 A1KES125T1	TA300K <sup>④</sup>
250	KD3400F	HKD3400F	KDC3400F	KES3250LS	KES3250LSI	KES3250LSG	KES3250LSIG	70 100 125 150 160 175 200 225 250	2KES070T 2KES100T 2KES125T 2KES150T 2KES160T 2KES175T 2KES200T 2KES225T 2KES250T	125/150/200/250 A2KES250T1	TA300K <sup>④</sup>
400	KD3400F	HKD3400F	KDC3400F	KES3400LS	KES3400LSI	KES3400LSG	KES3400LSIG	200 225 250 300 350 400	4KES200T 4KES225T 4KES250T 4KES300T 4KES350T 4KES400T	200/250/300/400 A4KES400T1	TA300K <sup>④</sup> TA300K <sup>④</sup> TA300K <sup>④</sup> TA300K <sup>④</sup> TA350K <sup>④</sup> 3TA400K <sup>④</sup>

4-Pole<sup>⑥⑦</sup>

125	KD4400F	HKD4400F	KDC4400F	KES4125LS	KES4125LSI	-	-	70 90 100 110 125	1KES070T 1KES090T 1KES100T 1KES110T 1KES125T	70/90/100/125 A1KES125T1	TA300K <sup>④</sup>
250	KD4400F	HKD4400F	KDC4400F	KES4250LS	KES4250LSI	-	-	70 100 125 150 160 175 200 225 250	2KES070T 2KES100T 2KES125T 2KES150T 2KES160T 2KES175T 2KES200T 2KES225T 2KES250T	125/150/200/250 A2KES250T1	TA300K <sup>④</sup>
400	KD4400F	HKD4400F	KDC4400F	KES4400LS	KES4400LSI	-	-	200 225 250 300 350 400	4KES200T 4KES225T 4KES250T 4KES300T 4KES350T 4KES400T	200/250/300/400 A4KES400T1	TA300K <sup>④</sup> TA300K <sup>④</sup> TA300K <sup>④</sup> TA300K <sup>④</sup> TA350K <sup>④</sup> 3TA400K <sup>④</sup>

Instruction Leaflet/FRED Number 29C104 for Breaker; 29C614 for Electronic Trip Unit

① Ampere rating is established by rating plug.  
 ② For Ac use only.  
 ③ 3-pole KES Trip Units are for use in 3-pole frames only.  
 ④ Individually packed.

⑤ 3TA400K and 4TA400K terminal kits contain one terminal for each pole and one terminal cover.  
 ⑥ Trip unit includes protected neutral pole. Use corresponding 3-pole trip unit if protected neutral pole is not required.

⑦ Fully rated neutral pole protection is standard. For 50% rated protection on neutral pole, add suffix E to 4-pole trip unit catalog number.

Series C® K-Frame

Types DK and KDB Thermal-Magnetic Circuit Breakers with Non-Interchangeable Trip Units

Maximum Continuous Ampere Rating @ 40°C	240 Vac Rated, 250 Vdc		
	Complete Circuit Breaker		
	Without Line and Load Terminals	With Line Terminals Only	With Standard Line and Load Terminals Only
	Catalog Number		

2-Pole

100	-	-	-
125	-	-	-
150	-	-	-
175	-	-	-
200	-	-	-
225	-	-	-
250	DK2250W	DK2250Y	DK2250
300	DK2300W	DK2300Y	DK2300
350	DK2350W	DK2350Y	DK2350
400	DK2400W	DK2400Y	DK2400

3-Pole

100	-	-	-
125	-	-	-
150	-	-	-
175	-	-	-
200	-	-	-
225	-	-	-
250	DK3250W	DK3250Y	DK3250
300	DK3300W	DK3300Y	DK3300
350	DK3350W	DK3350Y	DK3350
400	DK3400W	DK3400Y	DK3400

Maximum Continuous Ampere Rating @ 40°C	600 Vac Rated, 250 Vdc	
	Complete Circuit Breaker	
	Without Line and Load Terminals	With Standard Line and Load Terminals
	Catalog Number	

2-Pole

100	KDB2100W	KDB2100
125	KDB2125W	KDB2125
150	KDB2150W	KDB2150
175	KDB2175W	KDB2175
200	KDB2200W	KDB2200
225	KDB2225W	KDB2225
250	KDB2250W	KDB2250
300	KDB2300W	KDB2300
350	KDB2350W	KDB2350
400	KDB2400W	KDB2400

3-Pole

100	KDB3100W	KDB3100
125	KDB3125W	KDB3125
150	KDB3150W	KDB3150
175	KDB3175W	KDB3175
200	KDB3200W	KDB3200
225	KDB3225W	KDB3225
250	KDB3250W	KDB3250
300	KDB3300W	KDB3300
350	KDB3350W	KDB3350
400	KDB3400W	KDB3400

Instruction Leaflet/FRED Number 29C104

Molded Case Switches

Molded case switches are used as compact switches in applications requiring high current switching capabilities. Molded case switches are constructed of circuit breaker components and are of the high instantaneous automatic type. Molded case switches are listed in accordance with Underwriters Laboratories, Inc., Standard UL 1087.

Maximum Continuous Ampere Rating @ 40°C	240 Vac Maximum, 250 Vdc	600 Vac Maximum, 250 Vdc	600 Vac Maximum, 250 Vdc
	Complete Circuit Breaker with Standard Line and Load Terminals	Complete Circuit Breaker with Standard Line and Load Terminals	Complete Circuit Breaker with Standard Line and Load Terminals. Suitable for Reverse Feed Use
	Catalog Number		

2-Pole

400	DK2400K	KD2400K	KDB2400K
-----	---------	---------	----------

3-Pole

400	DK3400K	KD3400K	KDB3400K
-----	---------	---------	----------

4-Pole

400	-	KD4400K	-
-----	---	---------	---

**Note:** Molded case switches may open above 4000 amperes.

Instruction Leaflet/FRED Number 29C104

## Series C® K-Frame

## 100% Rated Types CKD and CHKD Electronic Circuit Breakers

The NEC allows the breaker to be rated at 100% of its frame size in an assembly, provided that 90°C wire is applied at the 75°C ampacity. All 100% rated circuit breakers have electronic trip units.

Maximum Continuous Ampere Rating @ 40°C	Circuit Breaker Frame Only		Digitrip RMS 310 Trip Unit Only				Digitrip 310 Rating Plug Only			Standard Terminals Only  See Page 51 for Optional Terminals
	Standard Interrupting Capacity  35 kAIC @ 480 Vac	High Interrupting Capacity  65 kAIC @ 480 Vac	Standard	Options			Ampere Rating	Fixed Rating Plug	Adjustable Rating Plug	
			Adjustable Short Time Delay with I <sup>2</sup> t Short Delay Ramp	Independently Adjustable Short Time Pickup and Delay	Adjustable Short Time Pickup with I <sup>2</sup> t Short Delay and Ground Fault Protection	Independently Adjustable Short Time Pickup and Delay and Ground Fault Protection			Ampere Rating Catalog Number	
Catalog Number										

### 3-Pole

125	CKD3400F	CHKD3400F	KES3125LS	KES3125LSI	KES3125LSG	KES3125LSIG	70 90 100 110 125	1KES070T 1KES090T 1KES100T 1KES110T 1KES125T	70/90/100/125 A1KES125T1	TA300K <sup>④</sup>
250	CKD3400F	CHKD3400F	KES3250LS	KES3250LSI	KES3250LSG	KES3250LSIG	70 100 125 150 160 175 200 225 250	2KES070T 2KES100T 2KES125T 2KES150T 2KES160T 2KES175T 2KES200T 2KES225T 2KES250T	125/150/200/250 A2KES250T1	TA300K <sup>④</sup>
400	CKD3400F	CHKD3400F	KES3400LS	KES3400LSI	KES3400LSG	KES3400LSIG	200 225 250 300 350 400	4KES200T 4KES225T 4KES250T 4KES300T 4KES350T 4KES400T	200/250/300/400 A4KES400T1	TA300K <sup>④</sup> TA300K <sup>④</sup> TA300K <sup>④</sup> TA300K <sup>④</sup> TA350K <sup>④</sup> 3TA400K <sup>④</sup>

Instruction Leaflet/FRED Number 29C104 for Breaker; 29C614 for KES Trip Unit

① Individually packed.

② TA400K, T400K and TA401K terminal kits contain one terminal for each pole and one terminal cover.

**Digitrip OPTIM 550 Electronic Circuit Breakers with Interchangeable Rating Plug**

Order as individual components: Breaker Frame (which includes Trip Unit), Rating Plug, Terminals.

Maximum Continuous Ampere Rating @ 40°C	Circuit Breaker Frame Only			Digitrip OPTIM Rating Plug Only	
	L – Adjustable Long Delay Pickup ( $I_L$ ) with Adjustable Long Delay Time ( $I^2t$ or $I^4t$ Response)Ⓛ S – Adjustable Short Delay Pickup with Adjustable Short Delay Time ( $I^2t$ or Flat Response) I – Adjustable Instantaneous Pickup G – Adjustable Ground Fault Pickup with Adjustable Ground Fault Time ( $I^2t$ or Flat Response) A – Adjustable Ground Fault Alarm with Adjustable Ground Fault Time ( $I^2t$ or Flat Response)			Ampere Rating	Fixed Rating Plug
	OPTIM 550				
	LSI	LSIG	LSIA		
Catalog Number					

**3-Pole Standard Interrupting Capacity 600 Volt Ac Rated 35 kAIC @ 480 Vac**

125	KD3125T52W	KD3125T56W	KD3125T57W	70 90 100 110 125	ORPK125A070 ORPK125A090 ORPK125A100 ORPK125A110 ORPK125A125
250	KD3250T52W	KD3250T56W	KD3250T57W	125 150 175 200 225 250	ORPK025A125 ORPK025A150 ORPK025A175 ORPK025A200 ORPK025A225 ORPK025A250
400	KD3400T52W	KD3400T56W	KD3400T57W	200 225 250 300 350 400	ORPK40A200 ORPK40A225 ORPK40A250 ORPK40A300 ORPK40A350 ORPK40A400

**3-Pole High Interrupting Capacity 600 Volt Ac Rated 65 kAIC @ 480 Vac**

125	HKD3125T52W	HKD3125T56W	HKD3125T57W	70 90 100 110 125	ORPK125A070 ORPK125A090 ORPK125A100 ORPK125A110 ORPK125A125
250	HKD3250T52W	HKD3250T56W	HKD3250T57W	125 150 175 200 225 250	ORPK025A125 ORPK025A150 ORPK025A175 ORPK025A200 ORPK025A225 ORPK025A250
400	HKD3400T52W	HKD3400T56W	HKD3400T57W	200 225 250 300 350 400	ORPK40A200 ORPK40A225 ORPK40A250 ORPK40A300 ORPK40A350 ORPK40A400

**3-Pole Ultra High Interrupting Capacity Current Limiting 600 Volt Ac Rated 100 kAIC @ 480 Vac**

125	KDC3125T52W	KDC3125T56W	KDC3125T57W	70 90 100 110 125	ORPK125A070 ORPK125A090 ORPK125A100 ORPK125A110 ORPK125A125
250	KDC3250T52W	KDC3250T56W	KDC3250T57W	125 150 175 200 225 250	ORPK025A125 ORPK025A150 ORPK025A175 ORPK025A200 ORPK025A225 ORPK025A250
400	KDC3400T52W	KDC3400T56W	KDC3400T57W	200 225 250 300 350 400	ORPK40A200 ORPK40A225 ORPK40A250 ORPK40A300 ORPK40A350 ORPK40A400

Instruction Leaflet/FRED Number 29C104

Ⓛ Long delay  $I^4t$  response selection limits short delay time to flat response.

## Series C® K-Frame

## 100% Rated Digitrip OPTIM 550 Electronic Circuit Breakers with Interchangeable Rating Plug

Order as individual components: Breaker Frame (which includes Trip Unit), Rating Plug, Terminals.

Maximum Continuous Ampere Rating @ 40°C	Circuit Breaker Frame Only			Digitrip OPTIM Rating Plug Only	
	L – Adjustable Long Delay Pickup ( $I_L$ ) with Adjustable Long Delay Time ( $I^2t$ or $I^4t$ Response)① S – Adjustable Short Delay Pickup with Adjustable Short Delay Time ( $I^2t$ or Flat Response) I – Adjustable Instantaneous Pickup G – Adjustable Ground Fault Pickup with Adjustable Ground Fault Time ( $I^2t$ or Flat Response) A – Adjustable Ground Fault Alarm with Adjustable Ground Fault Time ( $I^2t$ or Flat Response)			Ampere Rating	Fixed Rating Plug
	OPTIM 550				
	LSI	LSIG	LSIA		
Catalog Number					

### 3-Pole Standard Interrupting Capacity 600 Volt Ac Rated 35 kAIC @ 480 Vac

Rating	CKD3125T52W	CKD3125T56W	CKD3125T57W	Ampere Rating	Fixed Rating Plug
125				70 90 100 110 125	ORPK125A070 ORPK125A090 ORPK125A100 ORPK125A110 ORPK125A125
250	CKD3250T52W	CKD3250T56W	CKD3250T57W	125 150 175 200 225 250	ORPK025A125 ORPK025A150 ORPK025A175 ORPK025A200 ORPK025A225 ORPK025A250
400	CKD3400T52W	CKD3400T56W	CKD3400T57W	200 225 250 300 350 400	ORPK40A200 ORPK40A225 ORPK40A250 ORPK40A300 ORPK40A350 ORPK40A400

### 3-Pole High Interrupting Capacity 600 Volt AC Rated 65 kAIC @ 480 Vac

Rating	CHKD3125T52W	CHKD3125T56W	CHKD3125T57W	Ampere Rating	Fixed Rating Plug
125				70 90 100 110 125	ORPK125A070 ORPK125A090 ORPK125A100 ORPK125A110 ORPK125A125
250	CHKD3250T52W	CHKD3250T56W	CHKD3250T57W	125 150 175 200 225 250	ORPK025A125 ORPK025A150 ORPK025A175 ORPK025A200 ORPK025A225 ORPK025A250
400	CHKD3400T52W	CHKD3400T56W	CHKD3400T57W	200 225 250 300 350 400	ORPK40A200 ORPK40A225 ORPK40A250 ORPK40A300 ORPK40A350 ORPK40A400

Instruction Leaflet/FRED Number 29C104

① Long delay  $I^4t$  response selection limits short delay time to flat response.

Series C® K-Frame

Line and Load Terminals

Line and load terminals provide wire connecting capabilities for specific ranges of continuous current ratings and wire types. All terminals comply with Underwriters Laboratories, Inc., Standards UL486A and UL486B

and CSA Standard C22.2 No. 65, or Electrical Bulletin 1165. Unless otherwise specified, K-frame circuit breaker line and load terminals are shipped separately for field installation.

Ordering Information

K-frame circuit breakers use Cu/Al terminals as standard. When optional copper or Cu/Al terminals are required, order by catalog number. Specify if factory installation is required.

Line and Load Terminals

Maximum Breaker Amperes	Terminal Body Material	Wire Type	AWG Wire Range/ No. Conductors	Metric Wire Range mm <sup>2</sup>	Terminal Catalog Number	Figure	Terminals with Control Wire Termination Catalog Number	Figure
<b>Standard Cu/Al Pressure Terminals</b>								
225	Aluminum	Cu/Al	3-350/(1)	35-185	TA300K <sup>①</sup>	4	—	—
350	Aluminum	Cu/Al	250-500/(1)	120-240	TA350K <sup>①</sup>	3	—	—
400	Aluminum	Cu/Al	3/0-250/(2)	95-120	2TA400K <sup>④</sup>	2	2TA400KCW <sup>④</sup>	5
					3TA400K <sup>⑤</sup>	2	3TA400KCW <sup>⑤</sup>	5
					4TA400K <sup>⑥</sup>	2	4TA400KCW <sup>⑥</sup>	5

Optional Copper and Cu/Al Pressure Type Terminals

225	Copper	Cu	3-350/(1)	35-185	T300K <sup>①</sup>	4	—	—
350	Copper	Cu	250-500/(1)	120-240	T350K <sup>①</sup>	3	—	—
400	Copper	Cu	3/0-250/(2)	95-120	2T400K <sup>④</sup>	2	2T400KCW <sup>④</sup>	5
					3T400K <sup>⑤</sup>	2	3T400KCW <sup>⑤</sup>	5
					4T400K <sup>⑥</sup>	2	4T400KCW <sup>⑥</sup>	5
400	Aluminum	Cu/Al	2/0-250/(2)	70-120	2TA401K <sup>④</sup>	1	2TA401KCW <sup>④</sup>	5
			or	70-240	3TA401K <sup>⑤</sup>	1	3TA401KCW <sup>⑤</sup>	5
			2/0-500/(1)	70-240	4TA401K <sup>⑥</sup>	1	4TA401KCW <sup>⑥</sup>	5
400	Aluminum	Cu/Al	500-750/(1)	300-400	TA402K	6	—	—

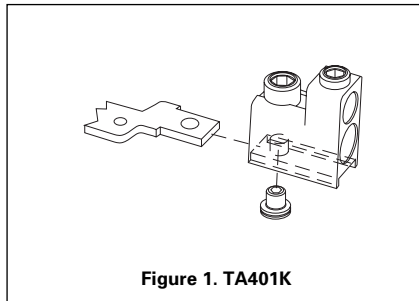


Figure 1. TA401K

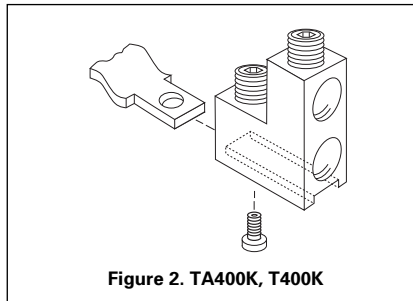


Figure 2. TA400K, T400K

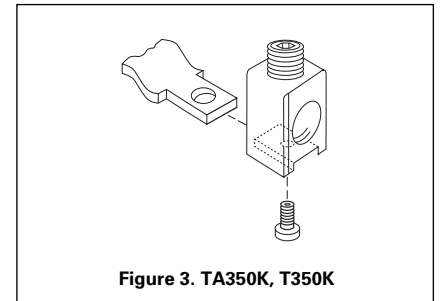


Figure 3. TA350K, T350K

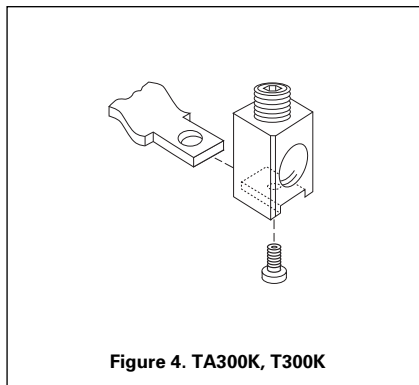


Figure 4. TA300K, T300K

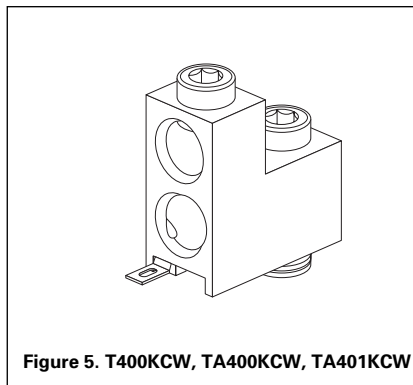


Figure 5. T400KCW, TA400KCW, TA401KCW

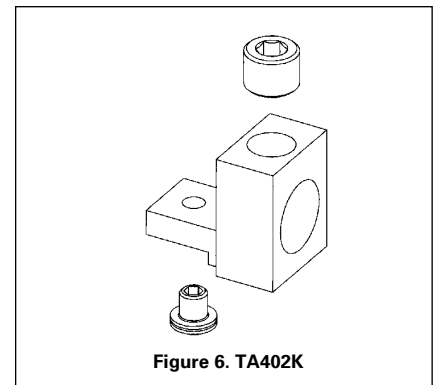


Figure 6. TA402K

See page 53 for other termination accessories.

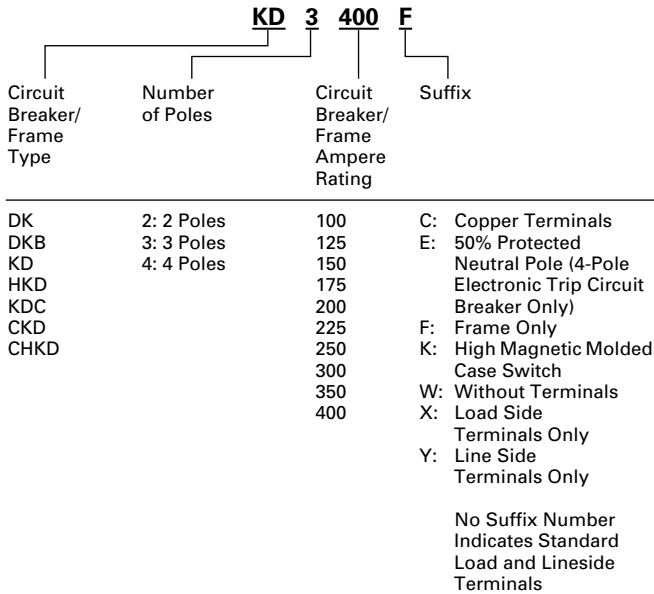
- ① Individually packed.
- ② Terminal kits contain one terminal for each pole and one terminal cover.
- ③ Terminal kits contain one terminal for each pole and three interphase barriers.

- ④ 2-Pole Kit.
- ⑤ 3-Pole Kit.
- ⑥ 4-Pole Kit.

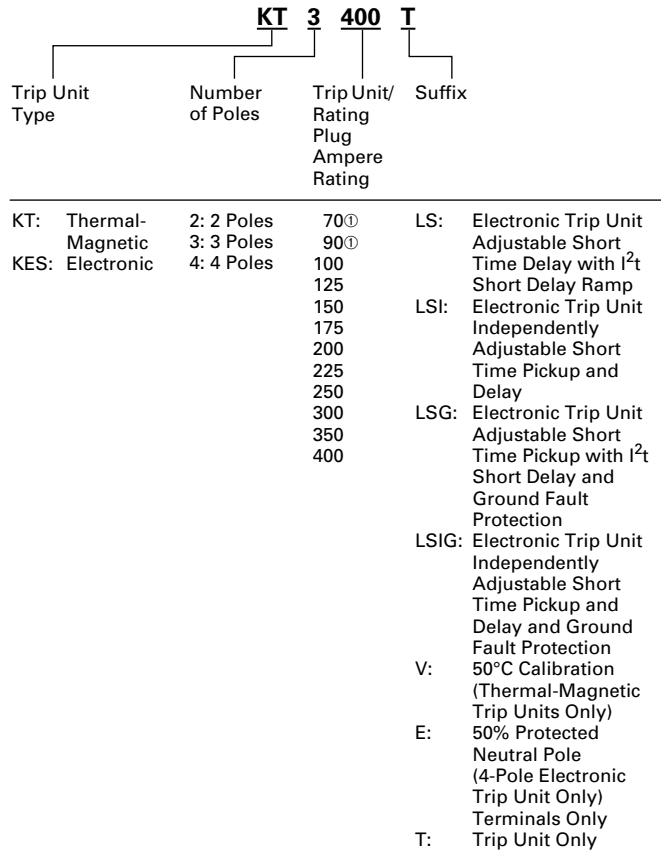
**Catalog Numbering System**

This information is presented only as an aid to understanding catalog numbers. It is not to be used to build catalog numbers for circuit breakers or trip units.

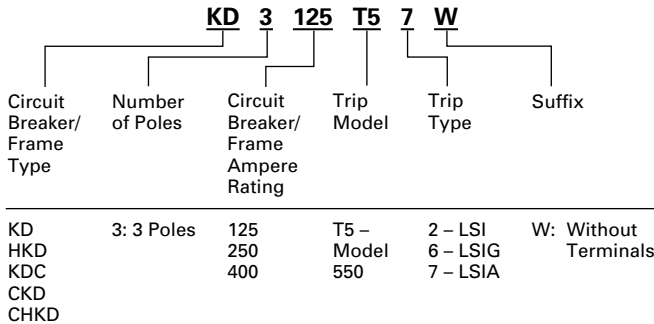
**Circuit Breaker/Frame Catalog Number**



**Trip Unit Catalog Number**



**OPTIM Circuit Breaker/Frame Catalog Number**



**Dimensions/Weights**

**Dimensions, Inches (mm)**

Number of Poles	Width	Height	Depth
2, 3	5.5 (140)	10.125 (257)	4.063 (103)
4	7.219 (183)	10.125 (257)	4.063 (103)

**Approximate Shipping Weight, Lbs. (kg)**

Breaker Type	Complete Breaker		Frame Only		Trip Unit①	
	Number of Poles					
	2	3	2	3	2	3
DK	10 (4.536)	11.5 (5.216)	–	–	–	–
KDB	10 (4.536)	11.5 (5.216)	–	–	–	–
KD	10 (4.536)	11.5 (5.216)	7.5 (3.402)	8.5 (3.856)	1.5 (.680)	1.5 (.680)
HKD	10 (4.536)	11.5 (5.216)	7.5 (3.402)	8.5 (3.856)	1.5 (.680)	1.5 (.680)
KDC	10 (4.536)	11.5 (5.216)	7.5 (3.402)	8.5 (3.856)	1.5 (.680)	1.5 (.680)

① Ampere rating available with electronic trip unit only.



### Allowable Accessory Combinations

Different combinations of accessories can be supplied, depending on the types of accessories and the number of poles in the circuit breaker.

	Reference Page	2-Pole <sup>①</sup>		3-Pole			4-Pole				
		Left	Right	Left	Center	Right	Left	Center	Right	Neu.	
<b>Internal Accessories (Only One Internal Accessory Per Pole)</b>											
Alarm Lockout (Make/Break)	140		■	□		□		■			
Alarm Lockout (2Make/2Break)	140			□		□		■			
Auxiliary Switch (1A, 1B)	143		■	■		■		■		■	
Auxiliary Switch (2A, 2B)	143			■		■		■		■	
Auxiliary Switch (3A, 3B)	143			■		■		■		■	
Auxiliary Switch and Alarm Switch Combination	145			□		□		□		□	
Shunt Trip – Standard	149		■	■		■		■		■	
Shunt Trip – Low Energy	152			■		■		■			
Undervoltage Release Mechanism	156		■	■		■		■			
Cutler-Hammer PowerNet Communications Kit (OPTIM 550)	160					■					

### External Accessories

End Cap Kit	161		●			●				●	
Keeper Nut	161		●			●				●	
Control Wire Terminal Kit	162		●			●				●	
Multewire Connectors	162		●			●				●	
Base Mounting Hardware	163		●			●				●	
Terminal Shields	165		●			●				●	
Interphase Barriers	166		●			●				●	
Non-Padlockable Handle Block	168	■				■				■	
Padlockable Handle Block	168					■					
Padlockable Handle Lock Hasp	169		■	□		□		□		□	
Cylinder Lock	169	□	□	□		□					
Key Interlock Kit	170	■	□	□		□		□		□	
Sliding Bar Interlock – Requires Two Breakers	171					●					
Walking Beam Interlock – Requires Two Breakers	171					●					●
Electrical (Solenoid) Operator	172					●					●
Plug-in Adapters	174		●			●					●
Rear Connecting Studs	176		●			●					●
Panelboard Connecting Straps	177		●			●					●
Handle Mechanisms	178		●			●					●
Door Hardware/Accessories	182		●			●					●
Handle Extension	182		●			●					●
IQ Energy Sentinel	184					●					●
Solid-State (Electronic) Portable Test Kit	184		●			●					●

### OPTIM System Components 3-Poles

Breaker Interface Module (BIM)	185										
Digitrip OPTImizer	185										
Auxiliary Power Module	185										
Cutler-Hammer PowerNet Software	185										

### Modifications (Refer to Cutler-Hammer)

Special Calibration	186		●			●					●
Moisture Fungus Treatment	186		●			●					●
Freeze-Tested Circuit Breakers	186		●			●					●
Marine Application	186		●			●					●

■ Applicable in indicated pole position

□ May be mounted on left or right pole – not both

● Accessory available/Modification available

① 2-pole breaker supplied in 3-pole frame. Current carrying parts omitted from center pole.



Series C® L-Frame



Typical Series C L-Frame Circuit Breaker

- All Series C L-frame circuit breakers are HACR rated.
- L-frame circuit breakers are available as individual components (Frame, Trip Unit, Terminals), or factory assembled complete breakers. OPTIM circuit breakers are available as factory assembled only.
- L-frame circuit breakers with non-interchangeable trip units are suitable for reverse feed use.

Interrupting Capacity Ratings

UL489 Interrupting Capacity Ratings<sup>①</sup>

Circuit Breaker Type	Number of Poles	Interrupting Capacity (RMS Symmetrical Amperes) (kA)							Page Number
		Volts Ac (50/60 Hz)					Volts Dc		
		240	277	480	600	125	250 <sup>②③</sup>	500	
LDB	2, 3	65	—	35	25	—	22	—	58
LD	2, 3, 4	65	—	35	25	—	22	—	57, 59
CLD	2, 3, 4	65	—	35	25	—	22	—	58, 61
HLD	2, 3, 4	100	—	65	35	—	25	—	57, 59
CHLD <sup>④</sup>	2, 3, 4	100	—	65	35	—	25	—	61
LDC	2, 3, 4	200	—	100	50	—	30	—	57, 60
CLDC <sup>④</sup>	2, 3, 4	200	—	100	50	—	30	—	62

IEC 947-2 Interrupting Capacity Ratings<sup>①</sup>

Circuit Breaker Type	Number of Poles		Interrupting Capacity (Symmetrical Amperes) (kA)				Page Number
			Volts Ac (50/60 Hz)			Volts Dc	
			240	415	690	250 <sup>②③</sup>	
LDB	2, 3	$I_{CU}$ $I_{CS}$	85 85	45 45	20 10	20 10	58
LD	2, 3, 4	$I_{CU}$ $I_{CS}$	85 85	45 45	20 10	20 10	57, 59
CLD <sup>④</sup>	2, 3, 4	$I_{CU}$ $I_{CS}$	85 85	45 45	20 10	20 10	58, 61
HLD	2, 3, 4	$I_{CU}$ $I_{CS}$	100 100	70 70	25 13	20 10	57, 59
CHLD <sup>④</sup>	2, 3, 4	$I_{CU}$ $I_{CS}$	100 100	70 70	25 13	20 10	61
LDC	2, 3, 4	$I_{CU}$ $I_{CS}$	200 100	100 75	35 18	20 10	57, 60
CLDC <sup>④</sup>	2, 3, 4	$I_{CU}$ $I_{CS}$	200 100	100 75	35 18	20 10	62

① Utilization category A circuit breakers.  
 ② L/R = 8 milliseconds minimum.  
 ③ 2-pole circuit breaker or two poles of 3-pole circuit breaker. Incorporating Thermal-Magnetic trip unit only.  
 ④ 100% rated breakers

## Series C® L-Frame

## L-Frame Digitrip Selection Guide

Trip Unit Type	Digitrip RMS 310	Digitrip OPTIM 550	Digitrip OPTIM 750	Digitrip OPTIM 1050	
RMS Sensing	Yes	Yes	Yes	Yes	
<b>Breaker Type</b>					
Frame	L	L	L	L	
Ampere Range	300-600A	200-600A	200-600A	200-600A	
Interrupting Rating @ 480V	35, 65, 100 (kA)	35, 65, 100 (kA)	35, 65, 100 (kA)	35, 65, 100 (kA)	
<b>Protection</b>					
Ordering Options	LS, LSG	LSI, LSIG	LSI, LSI(A), LSIG	LSI(A), LSIG	LSI(A), LSIG
Fixed Rated Plug (I <sub>n</sub> )	Yes	Yes	Yes	Yes	Yes
Overtemperature Trip	Yes	Yes	Yes	Yes	Yes
<b>Long Delay Protection (L)</b>					
Adjustable Rating Plug (I <sub>n</sub> )	Yes	Yes	No	No	No
Long Delay Pickup	0.5-1.0 (I <sub>n</sub> ) <sup>①</sup>	0.5-1.0 (I <sub>n</sub> ) <sup>①</sup>	0.4-1.0 x (I <sub>n</sub> )	0.4-1.0 x (I <sub>n</sub> )	0.4-1.0 x (I <sub>n</sub> )
Long Delay Time I <sup>2</sup> T	12 Seconds	12 Seconds	2-24 Seconds	2-24 Seconds	2-24 Seconds
Long Delay Time I <sup>4</sup> T	No	No	1-5 Seconds	1-5 Seconds	1-5 Seconds
Long Delay Thermal Memory	Yes	Yes	Yes	Yes	Yes
High Load Alarm	No	No	0.5-1.0 x I <sub>r</sub>	0.5-1.0 x I <sub>r</sub>	0.5-1.0 x I <sub>r</sub>
<b>Short Delay Protection (S)</b>					
Short Delay Pickup	200-800% x (I <sub>n</sub> )	200-800% x (I <sub>n</sub> )	150-800% x (I <sub>r</sub> )	150-800% x (I <sub>r</sub> )	150-800% x (I <sub>r</sub> )
Short Delay Time I <sup>2</sup> T	100 ms	No	100-500 ms	100-500 ms	100-500 ms
Short Delay Time Flat	No	Inst-300 ms	100-500 ms	100-500 ms	100-500 ms
Short Delay Time Zone Selective Interlocking	No	No	No	Yes	Yes
<b>Instantaneous Protection (I)</b>					
Instantaneous Pickup	No	200-800% x (I <sub>n</sub> )	200-800% x (I <sub>n</sub> )	200-800% x (I <sub>n</sub> )	200-800% x (I <sub>n</sub> )
Discriminator	No	No	Yes	Yes	Yes
Instantaneous Override	Yes	Yes	Yes	Yes	Yes
<b>Ground Fault Protection (G)</b>					
Ground Fault Alarm	No	No	20-100% x (I <sub>s</sub> )	20-100% x (I <sub>s</sub> )	20-100% x (I <sub>s</sub> )
Ground Fault Pickup	Varies by Frame	Varies by Frame	20-100% x (I <sub>s</sub> )	20-100% x (I <sub>s</sub> )	20-100% x (I <sub>s</sub> )
Ground Fault Delay I <sup>2</sup> T	No	No	100-500 ms	100-500 ms	100-500 ms
Ground Fault Delay Flat	Inst-500 ms	Inst-500 ms	100-500 ms	100-500 ms	100-500 ms
Ground Fault Zone Selective Interlocking	No	No	No	Yes	Yes
Ground Fault Thermal Memory	Yes	Yes	Yes	Yes	Yes
<b>System Diagnostics</b>					
Status LEDs	Yes	Yes	Yes	Yes	Yes
Cause of Trip LEDs	No	No	Yes	Yes	Yes
Magnitude of Trip Information	No	No	Yes	Yes	Yes
Remote Signal Contact – Ground Alarm	Yes	Yes	No	Yes	Yes
Local Auxiliary and Bell Alarm Contact	Optional	Optional	Optional	Included	Included
<b>System Monitoring</b>					
Digital Display	No	No	Yes <sup>②</sup>	Yes <sup>②</sup>	Yes <sup>②</sup>
Current	No	No	Yes	Yes	Yes
Power and Energy	No	No	No	No	Yes
Power Quality-Harmonics	No	No	No	No	Yes
Power Factor	No	No	No	No	Yes
<b>Communications</b>					
Cutler-Hammer PowerNet	No	No	No <sup>③</sup>	Yes	Yes
<b>Testing</b>					
Testing Method	Test Set		OPTIMizer, BIM, Cutler-Hammer PowerNet		

① Adjust by rating plug.

② By OPTIMizer/BIM.

③ Cutler-Hammer PowerNet kit for field upgrade.

BIM = Breaker Interface Module  
(A) = GF AlarmI<sub>s</sub> = Sensor RatingI<sub>n</sub> = Rating PlugI<sub>r</sub> = Long Delay Pickup Setting

Series C® L-Frame

**Types LD, HLD, and LDC Thermal-Magnetic Circuit Breakers with Interchangeable Trip Units**

Maximum Continuous Ampere Rating @ 40°C	Standard Interrupting Capacity 600 Vac Rated 35 kAIC @ 480 Vac		High Interrupting Capacity 600 Vac Rated 65 kAIC @ 480 Vac		Ultra High Interrupting Capacity Capacity Current Limiting 600 Vac Rated 100 kAIC @ 480 Vac		Thermal Magnetic Trip Unit Only	Standard Terminals Only  See Page 63 for Optional Terminals
	Factory Assembled Circuit Consisting of Frame, Trip Unit, and Terminals	Frame Only	Factory Assembled Circuit Consisting of Frame, Trip Unit, and Terminals	Frame Only	Factory Assembled Circuit Consisting of Frame, Trip Unit, and Terminals	Frame Only	For Use With: Standard or High or Ultra High Interrupting Frames	
							Magnetic Trip Range is 5-10 x Continuous Ampere Rating	
Catalog Number								

**2-Pole**

300	LD2300	LD2600F	HLD2300	HLD2600F	LDC2300	LDC2600F	LT2300T	TA602LD①
350	LD2350		HLD2350		LDC2350		LT2350T	TA602LD①
400	LD2400		HLD2400		LDC2400		LT2400T	TA602LD①
450	LD2450		HLD2450		LDC2450		LT2450T	TA602LD①
500	LD2500		HLD2500		LDC2500		LT2500T	TA602LD①
600	LD2600		HLD2600		LDC2600		LT2600T	2TA603LDK②

**3-Pole**

300	LD3300	LD3600F	HLD3300	HLD3600F	LDC3300	LDC3600F	LT3300T	TA602LD①
350	LD3350		HLD3350		LDC3350		LT3350T	TA602LD①
400	LD3400		HLD3400		LDC3400		LT3400T	TA602LD①
450	LD3450		HLD3450		LDC3450		LT3450T	TA602LD①
500	LD3500		HLD3500		LDC3500		LT3500T	TA602LD①
600	LD3600		HLD3600		LDC3600		LT3600T	3TA603LDK②

**4-Pole③**

300	LD4300	LD4600F	HLD4300	HLD4600F	LDC4300	LDC4600F	LT4300T	TA602LD①
350	LD4350		HLD4350		LDC4350		LT4350T	TA602LD①
400	LD4400		HLD4400		LDC4400		LT4400T	TA602LD①
450	LD4450		HLD4450		LDC4450		LT4450T	TA602LD①
500	LD4500		HLD4500		LDC4500		LT4500T	TA602LD①
600	LD4600		HLD4600		LDC4600		LT4600T	4TA603LDK②

Instruction Leaflet/FRED Number 29C105 for Breaker; 29C607 for Thermal Magnetic Trip Unit

**Types LD, HLD, and LDC Electronic Circuit Breakers with Interchangeable Trip Units**

Order as individual components: Breaker Frame, Trip Unit, Rating Plug, Terminals.

Maximum Continuous Ampere Rating @ 40°C①	Circuit Breaker Frame Only			Digitrip RMS 310 Trip Unit Only④				Digitrip RMS 310 Rating Plug Only			Standard Terminals Only  See Page 63 for Optional Terminals
	Standard Interrupting Capacity 600 Vac Rated 35 kAIC @ 480 Vac	High Interrupting Capacity 600 Vac Rated 65 kAIC @ 480 Vac	Ultra High Interrupting Capacity Current Limiting 600 Vac Rated 100 kAIC @ 480 Vac	L - Adjustable Long Delay Pickup (By Adjustable Rating Plug)	S - Adjustable Short Delay Pickup with Fixed Short Delay Time (I² Response) or Adjustable Short Delay Time (Flat Response)	I - Adjustable Instantaneous Pickup by Setting Short Delay Time to Instantaneous	G - Adjustable Ground Fault Pickup with Adjustable Ground Fault Delay (Flat Response)	Ampere Rating	Fixed Rating Plug	Adjustable Rating Plug	
										Ampere Rating Catalog Number	
Catalog Number											

**3-Pole③**

600	LD3600F	HLD3600F	LDC3600F	LES3600LS	LES3600LSI	LES3600LSG	LES3600LSIG	300	6LES300T	300/400/500/600	TA602LD①
								350	6LES350T	A6LES600T1	TA602LD①
								400	6LES400T		TA602LD①
								500	6LES500T		TA602LD①
								600	6LES600T		3TA603LDK②

**4-Pole③**

600	LD4600F	HLD4600F	LDC4600F	LES4600LS	LES4600LSI	-	-	300	6LES300T	300/400/500/600	TA602LD④
								350	6LES350T	A6LES600T1	TA602LD④
								400	6LES400T		TA602LD④
								500	6LES500T		TA602LD④
								600	6LES600T		4TA603LDK②

Instruction Leaflet/FRED Number 29C105 for Breaker; 29C615 for LES Trip Unit

① Individually packed.  
 ② Terminal kits contain one terminal for each pole and one terminal cover.  
 ③ Neutral is in right pole.  
 ④ For AC use only.

## Series C® L-Frame

## 100% Rated Types CLD, CHLD, and CLDC Electronic Circuit Breakers with Interchangeable Trip Units

The NEC allows the breaker to be rated at 100% of its frame size in an assembly, provided that 90°C wire is applied at the 75°C ampacity. All 100% rated circuit breakers have electronic trip units. Order as individual components: Breaker Frame, Trip Unit, Rating Plug and Terminals.

Maximum Continuous Ampere Rating @ 40°C <sup>①</sup>	Circuit Breaker Frame Only			Digitrip RMS 310 Trip Unit Only				Digitrip RMS 310 Rating Plug Only			Standard Terminals Only  See Page 63 for Optional Terminals
	Standard Interrupting Capacity 600 Vac Rated 35 kAIC @ 480 Vac	High Interrupting Capacity 600 Vac Rated 65 kAIC @ 480 Vac	Ultra High Interrupting Capacity Current Limiting 600 Vac Rated 100 kAIC @ 480 Vac	Standard	Options			Ampere Rating	Fixed Rating Plug	Adjustable Rating Plug  Ampere Rating Catalog Number	
				Adjustable Short Time Delay with I <sup>2</sup> t Short Delay Ramp	Independently Adjustable Short Time Pickup and Delay Ground Fault Protection	Adjustable Short Time Pickup with I <sup>2</sup> t Short Delay and Ground Fault Protection	Independently Adjustable Short Time Pickup and Delay and Ground Fault Protection				
Catalog Number											

## 3-Pole

600	CLD3600F	CHLD3600F	CLDC3600F	LES3600LS	LES3600LSI	LES3600LSG	LES3600LSIG	300 350 400 500 600	6LES300T 6LES350T 6LES400T 6LES500T 6LES600T	300/400/500/600 A6LES600T1	TA602LD <sup>②</sup> TA602LD <sup>②</sup> TA602LD <sup>②</sup> TA602LD <sup>②</sup> 3TA603LDK <sup>③</sup>
-----	----------	-----------	-----------	-----------	------------	------------	-------------	---------------------------------	--	-------------------------------	--

Instruction Leaflet/FRED Number 29C105 for Breaker; 29C615 for LES Trip Unit

## Type LDB Thermal-Magnetic Circuit Breakers with Non-Interchangeable Trip Units

Maximum Continuous Ampere Rating	600 Vac Rated, 250 Vdc	
	Complete Circuit Breaker	
	Without Line and Load Terminals	With Standard Line and Load Terminals Only
	Catalog Number	

## 2-Pole

300	LDB2300W	LDB2300
350	LDB2350W	LDB2350
400	LDB2400W	LDB2400
450	LDB2450W	LDB2450
500	LDB2500W	LDB2500
600	LDB2600W	LDB2600

## 3-Pole

300	LDB3300W	LDB3300
350	LDB3350W	LDB3350
400	LDB3400W	LDB3400
450	LDB3450W	LDB3450
500	LDB3500W	LDB3500
600	LDB3600W	LDB3600

Instruction Leaflet/FRED Number 29C105 for Breaker

## Molded Case Switches

Molded case switches are used as compact switches in applications requiring high current switching capabilities. Molded case switches are constructed of circuit breaker components and are of the high instantaneous automatic type.<sup>④</sup> Molded case switches are listed in accordance with Underwriters Laboratories, Inc., Standard UL 1087.

Maximum Continuous Ampere Rating @ 40°C	600 Vac Maximum, 250 Vdc	Standard Terminals Only  See Page 63 for Optional Terminals
	Circuit Breaker Only Without Line and Load Terminals	
	Catalog Number	

## 2-Pole

600	LD2600WK	2TA603LDK
-----	----------	-----------

## 3-Pole

600	LD3600WK	3TA603LDK
-----	----------	-----------

## 4-Pole

600	LD4600WK	4TA603LDK
-----	----------	-----------

**Note:** Molded Case Switch may trip above 6000 amperes.

Instruction Leaflet/FRED Number 29C105 for Molded Case Switch

① Ampere rating is established by rating plug.

② Individually packed.

③ 3TA603LDK and 4TA603LDK terminal kits contain one terminal for each pole and one terminal cover.

Series C® L-Frame

Digitrip OPTIM<sup>①</sup> Electronic Circuit Breaker with Interchangeable Rating Plug

Order as individual components: Breaker Frame (which includes Trip Unit), Rating Plug, Terminals.

Maximum Continuous Ampere Rating @ 40°C	Circuit Breaker Frame Only						Digitrip OPTIM Rating Plug Only	
	L – Adjustable Long Delay Pickup ( $I_L$ ) with Adjustable Long Delay Time ( $I^2t$ or $I^4t$ Response) <sup>②</sup> S – Adjustable Short Delay Pickup with Adjustable Short Delay Time ( $I^2t$ or Flat Response) I – Adjustable Instantaneous Pickup G – Adjustable Ground Fault Pickup with Adjustable Ground Fault Time ( $I^2t$ or Flat Response) A – Adjustable Ground Fault Alarm with Adjustable Ground Fault Time ( $I^2t$ or Flat Response)						Ampere Rating	Fixed Rating Plug
	OPTIM 550		OPTIM 750		OPTIM 1050			
	LSI	LSIG	LSIA	LSIG	LSIA	LSIG	LSIA	
Catalog Number								

3-Pole Standard Interrupting Capacity 600 Volt Ac Rated 35 kAIC @ 480 Vac

125	–	–	–	LD3125T76W	LD3125T77W	LD3125T106W	LD3125T107W	70 90 100 110 125	ORPL125A070 ORPL125A090 ORPL125A100 ORPL125A110 ORPL125A125
250	–	–	–	LD3250T76W	LD3250T77W	LD3250T106W	LD3250T107W	125 150 175 200 225 250	ORPL025A125 ORPL025A150 ORPL025A175 ORPL025A200 ORPL025A225 ORPL025A250
400	LD3400T52W	LD3400T56W	LD3400T57W	LD3400T76W	LD3400T77W	LD3400T106W	LD3400T107W	200 225 250 300 350 400	ORPL40A200 ORPL40A225 ORPL40A250 ORPL40A300 ORPL40A350 ORPL40A400
600	LD3600T52W	LD3600T56W	LD3600T57W	LD3600T76W	LD3600T77W	LD3600T106W	LD3600T107W	300 350 400 500 600	ORPL60A300 ORPL60A350 ORPL60A400 ORPL60A500 ORPL60A600

3-Pole High Interrupting Capacity 600 Volt Ac Rated 65 kAIC @ 480 Vac

125	–	–	–	HLD3125T76W	HLD3125T77W	HLD3125T106W	HLD3125T107W	70 90 100 110 125	ORPL125A070 ORPL125A090 ORPL125A100 ORPL125A110 ORPL125A125
250	–	–	–	HLD3250T76W	HLD3250T77W	HLD3250T106W	HLD3250T107W	125 150 175 200 225 250	ORPL025A125 ORPL025A150 ORPL025A175 ORPL025A200 ORPL025A225 ORPL025A250
400	HLD3400T52W	HLD3400T56W	HLD3400T57W	HLD3400T76W	HLD3400T77W	HLD3400T106W	HLD3400T107W	200 225 250 300 350 400	ORPL40A200 ORPL40A225 ORPL40A250 ORPL40A300 ORPL40A350 ORPL40A400
600	HLD3600T52W	HLD3600T56W	HLD3600T57W	HLD3600T76W	HLD3600T77W	HLD3600T106W	HLD3600T107W	300 350 400 500 600	ORPL60A300 ORPL60A350 ORPL60A400 ORPL60A500 ORPL60A600

Instruction Leaflet/FRED Number 29C105 for Breaker; 29C891 for OPTIM Trip Unit

① One Form C auxiliary switch and one Form C bell alarm switch supplied with breaker as standard, on models 750 and 1050.

② Long delay  $I^4t$  response selection limits short delay time to flat response.



## Series C® L-Frame

### Digitrip OPTIM<sup>①</sup> Electronic Circuit Breaker with Interchangeable Rating Plug

Order as individual components: Breaker Frame (which includes Trip Unit), Rating Plug, Terminals.

Maximum Continuous Ampere Rating @ 40°C	Circuit Breaker Frame Only						Digitrip OPTIM Rating Plug Only	
	L – Adjustable Long Delay Pickup ( $I_L$ ) with Adjustable Long Delay Time ( $I^2t$ or $I^4t$ Response) <sup>②</sup> S – Adjustable Short Delay Pickup with Adjustable Short Delay Time ( $I^2t$ or Flat Response) I – Adjustable Instantaneous Pickup G – Adjustable Ground Fault Pickup with Adjustable Ground Fault Time ( $I^2t$ or Flat Response) A – Adjustable Ground Fault Alarm with Adjustable Ground Fault Time ( $I^2t$ or Flat Response)						Ampere Rating	Fixed Rating Plug
	OPTIM 550		OPTIM 750		OPTIM 1050			
	LSI	LSIG	LSIA	LSIG	LSIA	LSIG	LSIA	
Catalog Number								

#### 3-Pole Ultra High Interrupting Capacity Current Limiting 600 Volt Ac Rated 100 kAIC @ 480 Vac

Rating	LSI	LSIG	LSIA	LSIG	LSIA	LSIG	LSIA	Ampere Rating	Fixed Rating Plug
125	–	–	–	LDC3125T76W	LDC3125T77W	LDC3125T106W	LDC3125T107W	70 90 100 110 125	ORPL125A070 ORPL125A090 ORPL125A100 ORPL125A110 ORPL125A125
250	–	–	–	LDC3250T76W	LDC3250T77W	LDC3250T106W	LDC3250T107W	125 150 175 200 225 250	ORPL025A125 ORPL025A150 ORPL025A175 ORPL025A200 ORPL025A225 ORPL025A250
400	LDC3400T52W	LDC3400T56W	LDC3400T57W	LDC3400T76W	LDC3400T77W	LDC3400T106W	LDC3400T107W	200 225 250 300 350 400	ORPL40A200 ORPL40A225 ORPL40A250 ORPL40A300 ORPL40A350 ORPL40A400
600	LDC3600T52W	LDC3600T56W	LDC3600T57W	LDC3600T76W	LDC3600T77W	LDC3600T106W	LDC3600T107W	300 350 400 500 600	ORPL60A300 ORPL60A350 ORPL60A400 ORPL60A500 ORPL60A600

Instruction Leaflet/FRED Number 29C105 for Breaker; 29C891 for OPTIM Trip Unit

① One Form C auxiliary switch and one Form C bell alarm switch supplied with breaker as standard, on models 750 and 1050.

② Long delay  $I^4t$  response selection limits short delay time to flat response.

Series C® L-Frame

100% Rated Digitrip OPTIM<sup>①</sup> Circuit Breakers with Interchangeable Rating Plug

Order as individual components: Breaker Frame (which includes Trip Unit), Rating Plug, Terminals.

Maximum Continuous Ampere Rating @ 40°C	Circuit Breaker Frame Only						Digitrip OPTIM Rating Plug Only	
	L – Adjustable Long Delay Pickup ( $I_t$ ) with Adjustable Long Delay Time ( $I^2t$ or $I^4t$ Response) <sup>②</sup> S – Adjustable Short Delay Pickup with Adjustable Short Delay Time ( $I^2t$ or Flat Response) I – Adjustable Instantaneous Pickup G – Adjustable Ground Fault Pickup with Adjustable Ground Fault Time ( $I^2t$ or Flat Response) A – Adjustable Ground Fault Alarm with Adjustable Ground Fault Time ( $I^2t$ or Flat Response)						Ampere Rating	Fixed Rating Plug
	OPTIM 550		OPTIM 750		OPTIM 1050			
	LSI	LSIG	LSIA	LSIG	LSIA	LSIG	LSIA	
Catalog Number								

3-Pole Standard Interrupting Capacity 600 Volt Ac Rated 35 kAIC @ 480 Vac

125	–	–	–	CLD3125T76W	CLD3125T77W	CLD3125T106W	CLD3125T107W	70 90 100 110 125	ORPL125A07 ORPL125A09 ORPL125A10 ORPL125A11 ORPL125A125
250	–	–	–	CLD3250T76W	CLD3250T77W	CLD3250T106W	CLD3250T107W	125 150 175 200 225 250	ORPL025A12 ORPL025A15 ORPL025A17 ORPL025A20 ORPL025A22 ORPL025A250
400	CLD3400T52W	CLD3400T56W	CLD3400T57W	CLD3400T76W	CLD3400T77W	CLD3400T106W	CLD3400T107W	200 225 250 300 350 400	ORPL40A200 ORPL40A225 ORPL40A250 ORPL40A300 ORPL40A350 ORPL40A400
600	CLD3600T52W	CLD3600T56W	CLD3600T57W	CLD3600T76W	CLD3600T77W	CLD3600T106W	CLD3600T107W	300 350 400 500 600	ORPL60A300 ORPL60A350 ORPL60A400 ORPL60A500 ORPL60A600

3-Pole High Interrupting Capacity 600 Volt Ac Rated 65 kAIC @ 480 Vac

125	–	–	–	CHLD3125T76W	CHLD3125T77W	CHLD3125T106W	CHLD3125T107W	70 90 100 110 125	ORPL125A070 ORPL125A090 ORPL125A100 ORPL125A110 ORPL125A125
250	–	–	–	CHLD3250T76W	CHLD3250T77W	CHLD3250T106W	CHLD3250T107W	125 150 175 200 225 250	ORPL025A125 ORPL025A150 ORPL025A175 ORPL025A200 ORPL025A225 ORPL025A250
400	CHLD3400T52W	CHLD3400T56W	CHLD3400T57W	CHLD3400T76W	CHLD3400T77W	CHLD3400T106W	CHLD3400T107W	200 225 250 300 350 400	ORPL40A200 ORPL40A225 ORPL40A250 ORPL40A300 ORPL40A350 ORPL40A400
600	CHLD3600T52W	CHLD3600T56W	CHLD3600T57W	CHLD3600T76W	CHLD3600T77W	CHLD3600T106W	CHLD3600T107W	300 350 400 500 600	ORPL60A300 ORPL60A350 ORPL60A400 ORPL60A500 ORPL60A600

Instruction Leaflet/FRED Number 29C105 for Breaker; 29C891 for OPTIM Trip Unit

① One Form C auxiliary switch and one Form C bell alarm switch supplied with breaker as standard, on models 750 and 1050.

② Long delay  $I^4t$  response selection limits short delay time to flat response.

## Series C® L-Frame

## 100% Rated Digitrip OPTIM<sup>①</sup> Electronic Circuit Breaker with Interchangeable Rating Plug

Order as individual components: Breaker Frame (which includes Trip Unit), Rating Plug, Terminals.

Maximum Continuous Ampere Rating @ 40°C	Circuit Breaker Frame Only						Digitrip OPTIM Rating Plug Only	
	L – Adjustable Long Delay Pickup ( $I_t$ ) with Adjustable Long Delay Time ( $I^2t$ or $I^4t$ Response) <sup>②</sup> S – Adjustable Short Delay Pickup with Adjustable Short Delay Time ( $I^2t$ or Flat Response) I – Adjustable Instantaneous Pickup G – Adjustable Ground Fault Pickup with Adjustable Ground Fault Time ( $I^2t$ or Flat Response) A – Adjustable Ground Fault Alarm with Adjustable Ground Fault Time ( $I^2t$ or Flat Response)						Ampere Rating	Fixed Rating Plug
	LSI	LSIG	LSIA	LSIG	LSIA	LSIG	LSIA	
Catalog Number								

### 3-Pole Ultra High Interrupting Capacity Current Limiting 600 Volt Ac Rated 100 kAIC @ 480 Vac

Rating	LSI	LSIG	LSIA	LSIG	LSIA	LSIG	LSIA	Rating	Rating Plug
125	–	–	–	CLDC3125T76W	CLDC3125T77W	CLDC3125T106W	CLDC3125T107W	70	ORPL125A070
								90	ORPL125A090
								100	ORPL125A100
								110	ORPL125A110
								125	ORPL125A125
250	–	–	–	CLDC3250T76W	CLDC3250T77W	CLDC3250T106W	CLDC3250T107W	125	ORPL025A125
								150	ORPL025A150
								175	ORPL025A175
								200	ORPL025A200
								225	ORPL025A225
								250	ORPL025A250
400	CLDC3400T52W	CLDC3400T56W	CLDC3400T57W	CLDC3400T76W	CLDC3400T77W	CLDC3400T106W	CLDC3400T107W	200	ORPL40A200
								225	ORPL40A225
								250	ORPL40A250
								300	ORPL40A300
								350	ORPL40A350
								400	ORPL40A400
600	CLDC3600T52W	CLDC3600T56W	CLDC3600T57W	CLDC3600T76W	CLDC3600T77W	CLDC3600T106W	CLDC3600T107W	300	ORPL60A300
								350	ORPL60A350
								400	ORPL60A400
								500	ORPL60A500
								550	ORPL60A550
								600	ORPL60A600

Instruction Leaflet/FRED Number 29C105 for Breaker; 29C891 for OPTIM Trip Unit

① One Form C auxiliary switch and one Form C bell alarm switch supplied with breaker as standard, on models 750 and 1050.

② Long delay  $I^4t$  response selection limits short delay time to flat response.

Series C® L-Frame

Line and Load Terminals

Line and load terminals provide wire connecting capabilities for specific ranges of continuous current ratings and wire types. All terminals comply with Underwriters Laboratories, Inc., Standards UL486A and UL486B and CSA Standard C22.2 No. 65M. Unless otherwise specified, L-frame circuit breaker line and load terminals are shipped separately for field installation.

The wire connecting terminal is secured with two pan-head, slotted screws and lock washers which can be checked for the correct torque loading or retightened from the front of the circuit breaker before installation of the conductors. (Applies to all styles.) The circuit breaker line/load terminal conductors are positioned in the conducting holes in the wire connecting terminal

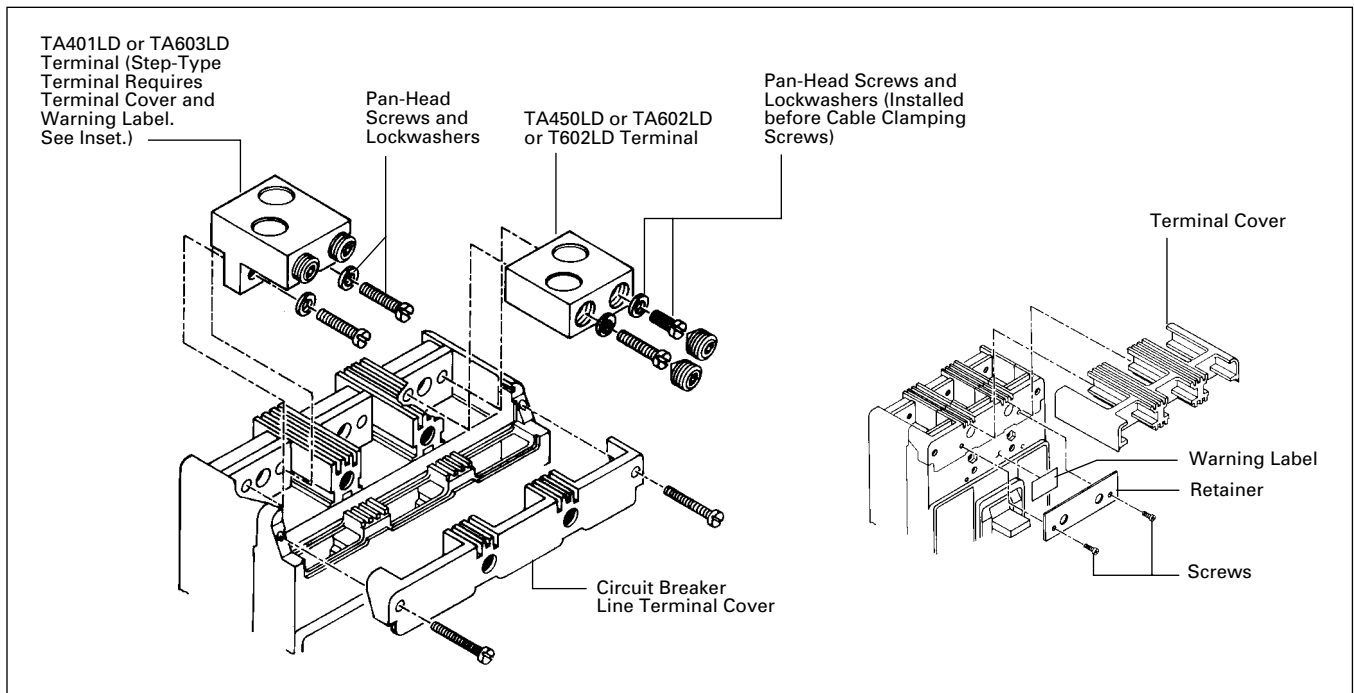
and are secured with recessed socket screws which are tightened to the correct torque loading from the front of the circuit breaker.

Ordering Information

L-frame circuit breakers use Cu/Al terminals as standard. When optional copper terminals are required, order by catalog number. Specify if factory installation is required.

Line and Load Terminals

Maximum Breaker Amperes	Terminal Body Material	Wire Type	AWG Wire Range/ Number of Conductors	Metric Wire Range mm <sup>2</sup>	Terminal Catalog Number	Terminals with Control Wire Termination Catalog Numbers
<b>Standard Cu/Al Pressure Terminals</b>						
400	Aluminum	Cu/Al	4/0-600 (1)	120-300	2TA401LDK- 2-Pole Kit <sup>①</sup> 3TA401LDK- 3-Pole Kit <sup>①</sup> 4TA401LDK- 4-Pole Kit <sup>①</sup>	- - -
450	Aluminum	Cu/Al	4-4/0 (2)	25-95	TA450LD <sup>②</sup>	-
500	Aluminum	Cu/Al	3/0-350 (2)	95-150	TA602LD <sup>②</sup>	TA602LDCW
600	Aluminum	Cu/Al	400-500 (2)	185-240	2TA603LDK- 2-Pole Kit <sup>①</sup> 3TA603LDK- 3-Pole Kit <sup>①</sup> 4TA603LDK- 4-Pole Kit <sup>①</sup>	2TA602LDKW 3TA602LDKW 4TA602LDKW
<b>Optional Copper and Cu/Al Pressure Type Terminals</b>						
600	Copper	Cu	250-500 (2)	120-250	T602LD <sup>②</sup>	-



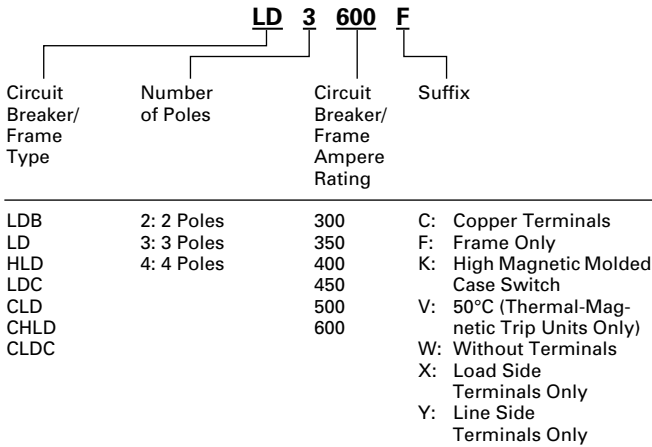
① Terminal kits contain one terminal for each pole and one terminal cover.  
② Individually packed.

**Series C® L-Frame**

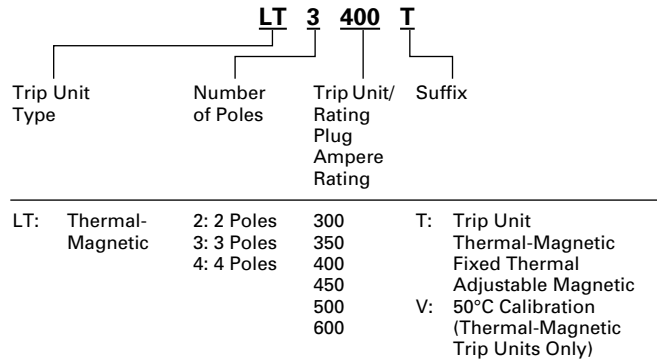
**Catalog Numbering System**

This information is presented only as an aid to understanding catalog numbers. It is not to be used to build catalog numbers for circuit breakers or trip units.

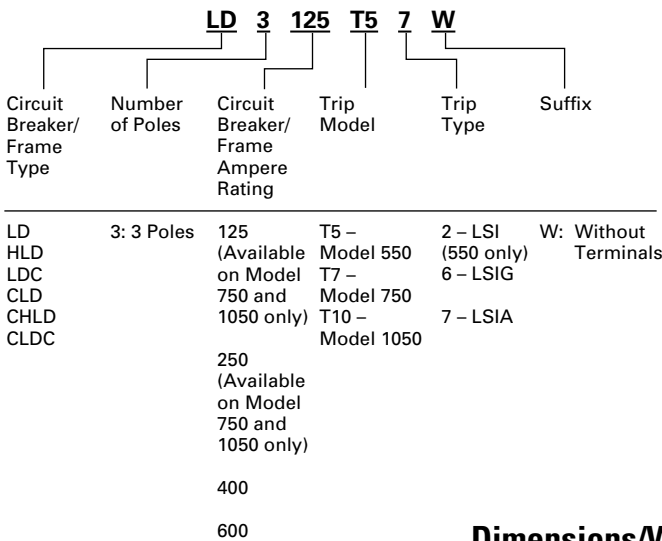
**Circuit Breaker/Frame Catalog Number**



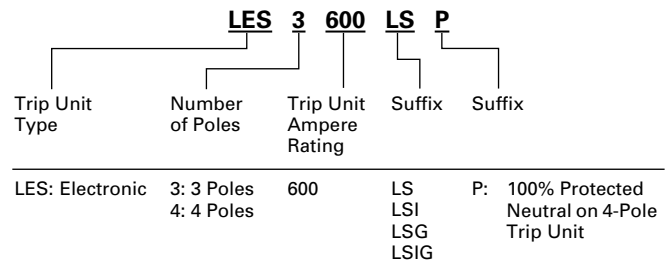
**Thermal-Magnetic Trip Unit Catalog Number**



**OPTIM Circuit Breaker/Frame Catalog Number**



**Digitrip RMS 310 Trip Unit Catalog Number**



**Dimensions/Weights**

**Dimensions, Inches (mm)**

Number of Poles	Width	Height	Depth
2, 3	8.25 (210)	10.75 (274)	4.062 (103)
4	11 (279)	10.75 (274)	4.062 (103)

**Approximate Shipping Weight, Lbs. (kg)**

Breaker Type	Complete Breaker			Frame Only			Trip Unit		
	Number of Poles			Number of Poles			Number of Poles		
	2	3	4	2	3	4	2	3	4
LD, HLD, LDC	18 (8.172)	20 (9.080)	25 (11.340)	14 (6.356)	15 (6.810)	20 (9.072)	3 (1.361)	4 (1.814)	5 (2.268)
LDB	18 (8.172)	20 (9.080)	25 (11.340)	–	–	–	–	–	–

Series C® L-Frame

Allowable Accessory Combinations

Different combinations of accessories can be supplied, depending on the types of accessories and the number of poles in the circuit breaker.

	Reference Page	2-Pole <sup>①</sup> , 3-Pole			4-Pole			
		Left	Center	Right	Left	Center	Right	Neu. <sup>②</sup>
<b>Internal Accessories (Only One Internal Accessory Per Pole)<sup>③</sup></b>								
Alarm Lockout (Make/Break)	140	■		■	■		■	
Alarm Lockout (2Make/2Break)	140	■		■	■		■	
Auxiliary Switch (1A, 1B)	143	■		■	■		■	
Auxiliary Switch (2A, 2B)	143	■		■	■		■	
Auxiliary Switch (3A, 3B)	143	■		■	■		■	
Auxiliary Switch (1A, 1B) and Alarm Switch Combination	146	■		■	■		■	
Auxiliary Switch (2A, 2B) and Alarm Switch Combination	146	■		■	■		■	
Shunt Trip – Standard <sup>④</sup>	149	■		■	■		■	
Shunt Trip – Low Energy <sup>④</sup>	152	■		■	■		■	
Undervoltage Release Mechanism <sup>④</sup>	157	■		■	■		■	
Cutler-Hammer PowerNet Communications Kit (OPTIM 550)	160			■				

External Accessories

End Cap Kit	161		●				●	
Control Wire Terminal Kit	162		●				●	
Base Mounting Hardware	163		●				●	
Terminal Shields	165		●				●	
Interphase Barriers	166		●				●	
Non-Padlockable Handle Block	168		■			■		
Padlockable Handle Lock Hasp	169	□		□	□		□	
Key Interlock Kit	170	□		□	□		□	
Sliding Bar Interlock – Requires Two Breakers	171		●				●	
Walking Beam Interlock – Requires Two Breakers	171		●				●	
Electrical (Motor) Operator	173		●				●	
Plug-in Adapters	174		●				●	
Rear Connecting Studs	176		●				●	
Panelboard Connecting Straps	177		●				●	
Handle Mechanisms	178		●				●	
Door Hardware/Accessories	182		●				●	
Handle Extension	182		●				●	
Solid-State (Electronic) Portable Test Kit	184		●				●	

OPTIM System Components 3-Poles

Ground Fault Alarm Unit	184							
Potential Transformer Module	184							
Breaker Interface Module (BIM)	185							
Digitrip OPTIMizer	185							
Auxiliary Power Module	185							
Cutler-Hammer PowerNet Software	185							

Modifications (Refer to Cutler-Hammer)

Special Calibration	186		●				●	
Moisture Fungus Treatment	186		●				●	
Freeze-Tested Circuit Breakers	186		●				●	
Marine Application	186		●				●	

■ Applicable in indicated pole position

□ May be mounted on left or right pole – not both

● Accessory available/Modification available

① 2-pole breaker supplied in 3-pole frame. Current carrying parts omitted from center pole.

② Refer to Cutler-Hammer for appropriate neutral pole accessory combinations.

③ OPTIM models 750 and 1050 are factory sealed and do not have the right pole space available for accessories.

④ Shunt trip and UVR cannot be mounted in right poles on LES trip units.



Series C® M-Frame



Typical Series C M-Frame Circuit Breaker

- All Series C M-frame circuit breakers are HACR rated.
- MDL-frame circuit breakers are available as individual components (Frame, Trip Unit, Terminals), or factory assembled complete breakers.
- M-frame circuit breakers with non-interchangeable trip units are suitable for reverse feed use.

Interrupting Capacity Ratings

UL489/CSA Interrupting Capacity Ratings<sup>①</sup>

Circuit Breaker Type	Number of Poles	Interrupting Capacity (Symmetrical Amperes) (kA)				Page Number
		Volts Ac (50/60 Hz)			Volts Dc <sup>②③</sup>	
		240	480	600		
MDL	2, 3	65	50	25	22	69, 70
CMDL	2, 3	65	50	25	22	70
HMDL	2, 3	100	65	35	25	69, 70
CHMDL	2, 3	100	65	35	25	70

IEC 947-2 Interrupting Capacity Ratings<sup>①</sup>

Circuit Breaker Type	Number of Poles	Interrupting Capacity – RMS Symmetrical Amperes (kA) $I_{CU} = I_{CS}$				Page Number
		Volts Ac (50/60 Hz)			Volts Dc <sup>②③</sup>	
		240	480	600		
MDL	2, 3	85	50	20	20	69, 70
CMDL	2, 3	85	50	20	20	70
HMDL	2, 3	100	65	25	20	69, 70
CHMDL	2, 3	100	65	25	20	70

① Utilization category A circuit breakers.  
 ② Two poles or two poles of 3-pole circuit breaker. Thermal-magnetic trip units only, MDL, HMDL breakers with electronic trip unit are not DC rated.  
 ③ Time constant is 3 milliseconds minimum at 10 kA and 8 milliseconds at 22 kA.



## Series C® M-Frame

### MDL-Frame Digitrip Selection Guide

Trip Unit Type	Digitrip RMS 310	
RMS Sensing	Yes	
<b>Breaker Type</b>		
Frame	MDL	
Ampere Range	400-800A	
Interrupting Rating @ 480V	50, 65 (kA)	
<b>Protection</b>		
Ordering Options	LS, LSG	LSI, LSIG
Fixed Rated Plug ( $I_n$ )	Yes	Yes
Overtemperature Trip	Yes	Yes
<b>Long Delay Protection (L)</b>		
Adjustable Rating Plug ( $I_n$ )	Yes	Yes
Long Delay Pickup	0.5-1.0 ( $I_n$ ) ①	0.5-1.0 ( $I_n$ ) ①
Long Delay Time $I^2T$	12 Seconds	12 Seconds
Long Delay Time $I^4T$	No	No
Long Delay Thermal Memory	Yes	Yes
High Load Alarm	No	No
<b>Short Delay Protection (S)</b>		
Short Delay Pickup	200-800% x ( $I_n$ )	200-800% x ( $I_n$ )
Short Delay Time $I^2T$	100 ms	No
Short Delay Time Flat	No	Inst-300 ms
Short Delay Time Zone Selective Interlocking	No	No
<b>Instantaneous Protection (I)</b>		
Instantaneous Pickup	No	200-800% x ( $I_n$ )
Discriminator	No	No
Instantaneous Override	Yes	Yes
<b>Ground Fault Protection (G)</b>		
Ground Fault Alarm	No	No
Ground Fault Pickup	Varies by Frame	Varies by Frame
Ground Fault Delay $I^2T$	No	No
Ground Fault Delay Flat	Inst-500 ms	Inst-500 ms
Ground Fault Zone Selective Interlocking	No	No
Ground Fault Thermal Memory	Yes	Yes
<b>System Diagnostics</b>		
Status LEDs	Yes	Yes
Cause of Trip LEDs	No	No
Magnitude of Trip Information	No	No
Remote Signal Contacts – Ground Alarm	Yes	Yes
<b>System Monitoring</b>		
Digital Display	No	No
Current	No	No
Power and Energy	No	No
Power Quality – Harmonics	No	No
Power Factor	No	No
<b>Communications</b>		
Cutler-Hammer PowerNet	No	No
<b>Testing</b>		
Testing Method	Test Set	

① Adjust by rating plug.

 $I_n$  = Rating Plug

**Types MDL and HMDL Thermal-Magnetic Circuit Breakers with Interchangeable Trip Units**

Maximum Continuous Ampere Rating @ 40°C	Standard Interrupting Capacity 600 Vac Rated 50 kAIC @ 480 Vac		High Interrupting Capacity 600 Vac Rated 65 kAIC @ 480 Vac		Thermal Magnetic Trip Unit Only  For Use With: Standard or High or Ultra High Interrupting Frames  Magnetic Trip Range is 5-10 up through 600A; 4-8 on 700 and 800A x Continuous Ampere Rating	Standard Terminals Only ①  <a href="#">See Page 72 for Optional Terminals</a>
	Factory Assembled Circuit Consisting of Frame, Trip Unit, and Terminals	Frame Only	Factory Assembled Circuit Consisting of Frame, Trip Unit, and Terminals	Frame Only		
	Catalog Number					

**2-Pole**

300	MDL2300	MDL2800F	HMDL2300	HMDL2800F	MT2300T	TA700MA1
350	MDL2350		HMDL2350		MT2350T	TA700MA1
400	MDL2400		HMDL2400		MT2400T	TA700MA1
450	MDL2450		HMDL2450		MT2450T	TA700MA1
500	MDL2500		HMDL2500		MT2500T	TA700MA1
600	MDL2600		HMDL2600		MT2600T	TA700MA1
700	MDL2700		HMDL2700		MT2700T	TA700MA1
800	MDL2800		HMDL2800		MT2800T	TA800MA2

**3-Pole**

300	MDL3300	MDL3800F	HMDL3300	HMDL3800F	MT3300T	TA700MA1
350	MDL3350		HMDL3350		MT3350T	TA700MA1
400	MDL3400		HMDL3400		MT3400T	TA700MA1
450	MDL3450		HMDL3450		MT3450T	TA700MA1
500	MDL3500		HMDL3500		MT3500T	TA700MA1
600	MDL3600		HMDL3600		MT3600T	TA700MA1
700	MDL3700		HMDL3700		MT3700T	TA700MA1
800	MDL3800		HMDL3800		MT3800T	TA800MA2

Instruction Leaflet/FRED Number 29C111 for Breaker

**Types MDLB and HMDLB Thermal-Magnetic Circuit Breakers with Non-Interchangeable Trip Units**

Maximum Continuous Ampere Rating @ 40°C	Standard Interrupting Capacity 600 Vac Rated 50 kAIC @ 480 Vac		High Interrupting Capacity 600 Vac Rated 50 kAIC @ 480 Vac		Standard Terminals Only ①  <a href="#">See Page 72 for Optional Terminals</a>
	Factory Assembled Circuit Consisting of Frame, Trip Unit, and Terminals	Factory Assembled Circuit Consisting of Frame, Trip Unit, and Terminals			
	Catalog Number				

**2-Pole**

300	MDLB2300	HMDLB2300	TA700MA1
350	MDLB2350	HMDLB2350	TA700MA1
400	MDLB2400	HMDLB2400	TA700MA1
450	MDLB2450	HMDLB2450	TA700MA1
500	MDLB2500	HMDLB2500	TA700MA1
600	MDLB2600	HMDLB2600	TA700MA1
700	MDLB2700	HMDLB2700	TA700MA1
800	MDLB2800	HMDLB2800	TA800MA2

**3-Pole**

300	MDLB3300	HMDLB3300	TA700MA1
350	MDLB3350	HMDLB3350	TA700MA1
400	MDLB3400	HMDLB3400	TA700MA1
450	MDLB3450	HMDLB3450	TA700MA1
500	MDLB3500	HMDLB3500	TA700MA1
600	MDLB3600	HMDLB3600	TA700MA1
700	MDLB3700	HMDLB3700	TA700MA1
800	MDLB3800	HMDLB3800	TA800MA2

Instruction Leaflet/FRED Number 29C111 for Breaker

① Two terminals are required per pole.

## Series C® M-Frame

### Types MDL and HMDL Electronic Circuit Breakers with Interchangeable Trip Units

Order as Individual Components: Breaker Frame, Trip Unit, Rating Plug, Terminals.

Maximum Continuous Ampere Rating @ 40°C <sup>①</sup>	Circuit Breaker Frame Only		Digitrip RMS 310 Trip Unit Only <sup>②</sup>				Digitrip RMS 310 Rating Plug Only			Terminals
	Standard Interrupting Capacity 600 Vac Rated 35 kAIC @ 480 Vac	High Interrupting Capacity 600 Vac Rated 65 kAIC @ 480 Vac	L – Adjustable Long Delay Pickup (by Adjustable Rating Plug)	S – Adjustable Short Delay Pickup with Fixed Short Delay Time (I <sup>2</sup> t Response) or Adjustable Short Delay Time (Flat Response)	I – Adjustable Instantaneous Pickup by Setting Short Delay Time to Instantaneous	G – Adjustable Ground Fault Pickup with Adjustable Ground Fault Delay (Flat Response)	Ampere Rating	Fixed Rating Plug	Adjustable Rating Plugs Ampere Rating Catalog Number	
	Catalog Number									

## 3-Pole

800	MDL3800F	HMDL3800F	MES3800LS MES3800LSI MES3800LSG MES3800LSIG	400 500 600 700 800	8MES400T 8MES500T 8MES600T 8MES700T 8MES800T	400/500/600/800 A8MES800T	See Page 72 for Standard and Optional Terminals
-----	----------	-----------	--	---------------------------------	--	------------------------------	---

Instruction Leaflet/FRED Number 29C111 for Breaker; 29C615 for MES Trip Unit

### Types MDLB and HMDLB Electronic Circuit Breakers with Non-Interchangeable Trip Units

Maximum Continuous Ampere Rating @ 40°C <sup>①</sup>	Factory Assembled Circuit Breaker Consisting of Frame and Trip Unit			
	LS	LSI	LSG	LSIG
	Catalog Number			

## 3-Pole Standard Interrupting Capacity 600 Vac Rated 50 kAIC @ 480 Vac

800	MDLB3800T33W	MDLB3800T32W	MDLB3800T35W	MDLB3800T36W
-----	--------------	--------------	--------------	--------------

## 3-Pole High Interrupting Capacity 600 Vac Rated 65 kAIC @ 480 Vac

800	HMDLB3800T33W	HMDLB3800T32W	HMDLB3800T35W	HMDLB3800T36W
-----	---------------	---------------	---------------	---------------

Instruction Leaflet/FRED Number 29C111 for Breaker; 29C615 for MES Trip Unit

### 100% Rated Types CMDL and CHMDL Electronic Circuit Breakers with Non-Interchangeable Trip Units

The NEC allows the breaker to be rated at 100% of its frame size in an assembly, provided that 90°C wire is applied at the 75°C ampacity. All 100% rated circuit breakers have electronic trip units. Order as individual components: breaker frame, trip unit, rating plug and terminals.

Maximum Continuous Ampere Rating @ 40°C <sup>①</sup>	Circuit Breaker Frame Only		Digitrip RMS 310 Trip Unit Only <sup>②</sup>				Digitrip RMS 310 Trip Unit Only			Terminals
	Standard Interrupting Capacity 50 kAIC @ 480 Vac	High Interrupting Capacity 50 kAIC @ 480 Vac	Standard	Options			Ampere Rating	Fixed Rating Plug	Adjustable Rating Plug Ampere Rating Catalog Number	
			Adjustable Short Time Delay with I <sup>2</sup> t Short Delay Ramp	Independently Adjustable Short Time Pickup and Delay Ground Fault Protection	Adjustable Short Time Pickup with I <sup>2</sup> t Short Delay and Ground Fault Protection	Independently Adjustable Short Time Pickup and Ground Fault Protection				
	Catalog Number									

## 3-Pole

800	CMDL3800F	CHMDL3800F	MES3800LS	MES3800LSI	MES3800LSG	MES3800LSIG	400 500 600 700 800	8MES400T 8MES500T 8MES600T 8MES700T 8MES800T	400/500/600/800 A8MES800T	See Page 72 for Standard and Optional Terminals
-----	-----------	------------	-----------	------------	------------	-------------	---------------------------------	--	------------------------------	---

Instruction Leaflet/FRED Number 29C111 for Breaker; 29C615 for MES Trip Unit

① Ampere rating is established by rating plug.

② For Ac use only.

**Molded Case Switches**

Molded case switches are used as compact switches in applications requiring high current switching capabilities. Molded case switches are constructed of circuit breaker components and are of the high instantaneous automatic type. Molded case switches are listed in accordance with Underwriters Laboratories, Inc., Standard UL 1087.

Maximum Continuous Ampere Rating @ 40°C	600 Vac Maximum, 250 Vdc
	Circuit Breaker Only without Line and Load Terminals
	Catalog Number

**2-Pole**

800	<b>MDL2800WK</b>
-----	------------------

**3-Pole**

800	<b>MDL3800WK</b>
-----	------------------

**Note:** Molded case switch may trip above 6000 amperes.

Instruction Leaflet/FRED Number 29C111

## Series C® M-Frame

### Line and Load Terminals

M-Frame circuit breakers use Cu/Al terminals as standard. When optional copper or Cu/Al terminals are required, order by catalog number. Specify if factory installation is required.

### Line and Load Terminals

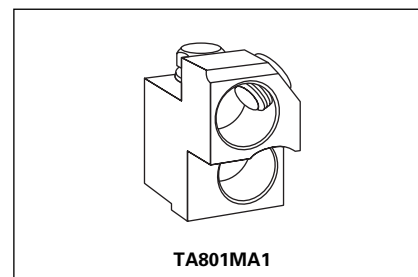
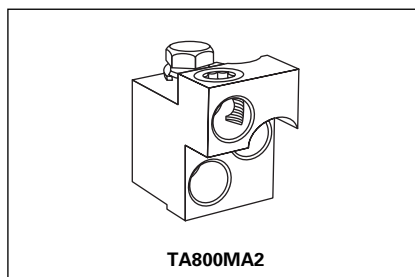
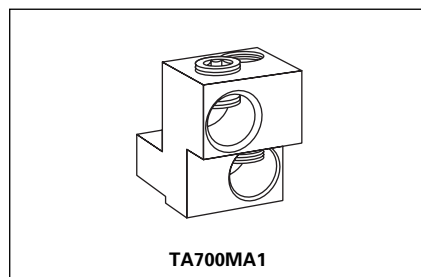
Maximum Breaker Amperes	Terminal Body Material	Wire Type	AWG Wire Range/ No. Conductors	Terminal Catalog Number	Terminals with Control Wire Termination Catalog Number
-------------------------	------------------------	-----------	-----------------------------------	-------------------------	--

#### Standard Cu/Al Pressure Terminals

600	Aluminum	Cu/Al	(2) #1-500 kcmil	<b>TA700MA1</b>	<b>TA700MA1CWT</b>
800	Aluminum	Cu/Al	(3) 3/0-400 kcmil	<b>TA800MA2</b>	<b>TA800MA2CWT</b>
800	Aluminum	Cu/Al	(2) 500-750 kcmil	<b>TA801MA</b>	<b>TA801MACWT</b>

#### Optional Copper and Cu/Al Pressure Type Terminals

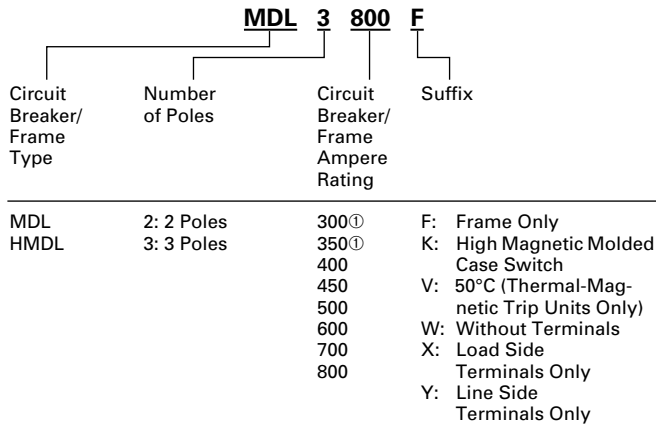
600	Copper	Cu	(2) 2/0-500 kcmil	<b>T600MA1</b>	—
800	Copper	Cu	(3) 3/0-300 kcmil	<b>T800MA1</b>	—



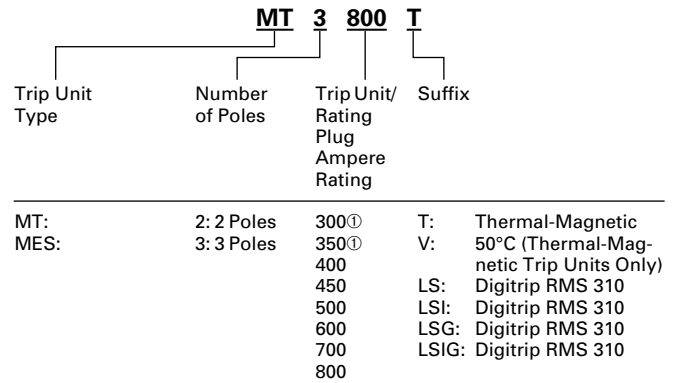
### Catalog Numbering System

This information is presented only as an aid to understanding catalog numbers. It is not to be used to build catalog numbers for circuit breakers or trip units.

#### Circuit Breaker/Frame Catalog Number



#### Thermal-Magnetic Trip Unit Catalog Number



### Dimensions/Weights

#### Dimensions, Inches (mm)

Number of Poles	Width	Height	Depth
2, 3	8.250 (210)	16.000 (406)	4.062 (103)

#### Approximate Shipping Weight, Lbs. (kg)

Breaker Type	Complete Breaker		Frame Only		Trip Unit①	
	Number of Poles					
	2	3	2	3	2	3
MDL, HMDL (T/M T.U.)	26.5	29	24.5	26	2.5	3
MDL, HMDL (Elec. T.U.)	-	30	-	26	-	4

① Thermal-Magnetic only.

## Series C® M-Frame

### Allowable Accessory Combinations

Different combinations of accessories can be supplied, depending on the types of accessories and the number of poles in the circuit breaker.

	Reference Page	2-Pole <sup>①</sup>		3-Pole		
		Left	Right	Left	Center	Right
<b>Internal Accessories (Only One Internal Accessory Per Pole)</b>						
Alarm Lockout (Make/Break)	140	■		■		■
Alarm Lockout (2Make/2Break)	140	■		■		■
Auxiliary Switch (1A, 1B)	143	■		■		■
Auxiliary Switch (2A, 2B)	143	■		■		■
Auxiliary Switch (3A, 3B)	143	■		■		■
Auxiliary Switch (1A, 1B) and Alarm Switch Combination	146	■		■		■
Auxiliary Switch (2A, 2B) and Alarm Switch Combination	146	■		■		■
Shunt Trip – Standard <sup>③</sup>	149	■		■		■
Shunt Trip – Low Energy <sup>③</sup>	152	■		■		■
Undervoltage Release Mechanism <sup>③</sup>	157	■		■		■

#### External Accessories

Base Mounting Hardware	163				●	
Terminal Shields	165				●	
Interphase Barriers	166				●	
Non-Padlockable Handle Block	168				■	
Padlockable Handle Lock Hasp	169	□		□		□
Key Interlock Kit	170	□		□		□
Sliding Bar Interlock – Requires Two Breakers	171	●			●	
Walking Beam Interlock – Requires Two Breakers	171	●			●	
Electrical (Motor) Operator	173	●			●	
Plug-in Adapters	174	●			●	
Rear Connecting Studs	176	●			●	
Panelboard Connecting Straps	177	●			●	
Handle Mechanisms	178	●			●	
Door Hardware/Accessories	182	●			●	
Handle Extension	182				●	
Solid-State (Electronic) Portable Test Kit	184	●			●	

#### Modifications (Refer to Cutler-Hammer)

Special Calibration	186	●			●	
Moisture Fungus Treatment	186	●			●	
Freeze-Tested Circuit Breakers	186	●			●	
Marine Application	186	●			●	

■ Applicable in indicated pole position

□ May be mounted on left or right pole – not both

● Accessory available/Modification available

① 2-pole breaker supplied in 3-pole frame. Current carrying parts omitted from center pole.

② Refer to Cutler-Hammer for appropriate neutral pole accessory combinations.

③ Shunt trip and UVR cannot be mounted in right poles on LES trip units.

Series C® N-Frame



Typical Series C N-Frame Circuit Breaker

- All N-frame circuit breakers are suitable for reverse feed use.

Interrupting Capacity Ratings

UL489 Interrupting Capacity Ratings<sup>①</sup>

Circuit Breaker Type	Number of Poles	Interrupting Capacity (Symmetrical Amperes) (kA)					Page Number
		Volts Ac (50/60 Hz)					
		240	277	480	600	125	
ND	2, 3, 4	65	—	50	25	—	77, 83
CND <sup>②</sup>	2, 3, 4	65	—	50	25	—	80, 84
HND	2, 3, 4	100	—	65	35	—	78, 83
CHND <sup>②</sup>	2, 3, 4	100	—	65	35	—	81, 84
NDC	2, 3, 4	200	—	100	50	—	79, 83
CNDC <sup>②</sup>	2, 3, 4	200	—	100	50	—	82, 84

IEC 947-2 Interrupting Capacity Ratings<sup>①</sup>

Circuit Breaker Type	Number of Poles	Interrupting Capacity (Symmetrical Amperes) (kA)			Page Number
		Volts Ac (50/60 Hz)			
		240	415	690	
ND	2, 3, 4	85	50	20	77, 83
		85	50	10	
CND <sup>②</sup>	2, 3, 4	85	50	20	80, 84
		85	50	10	
HND	2, 3, 4	100	70	25	78, 83
		100	50	13	
CHND <sup>②</sup>	2, 3, 4	100	70	25	81, 84
		100	50	13	
NDC	2, 3, 4	200	100	35	79, 83
		100	50	18	
CNDC <sup>②</sup>	2, 3, 4	200	100	35	82, 84
		100	50	18	

<sup>①</sup> Utilization Category A circuit breakers.

<sup>②</sup> 100% rated breakers.



## Series C® N-Frame

## N-Frame Digitrip Selection Guide

Trip Unit Type	Digitrip RMS 310		Digitrip OPTIM 550	Digitrip OPTIM 750	Digitrip OPTIM 1050
RMS Sensing	Yes		Yes	Yes	Yes
<b>Breaker Type</b>					
Frame	N		N	N	N
Ampere Range	400A-1200A		400A-1200A	400A-1200A	400A-1200A
Interrupting Rating @ 480V	50, 65, 100 (kA)		50, 65, 100 (kA)	50, 65, 100 (kA)	50, 65, 100 (kA)
<b>Protection</b>					
Ordering Options	LS, LSG	LSI, LSIG	LSI, LSIG, LSI(A)	LSI(A), LSIG	LSI(A), LISG
Fixed Rated Plug (I <sub>n</sub> )	Yes	Yes	Yes	Yes	Yes
Overtemperature Trip	Yes	Yes	Yes	Yes	Yes
<b>Long Delay Protection (L)</b>					
Adjustable Rating Plug (I <sub>n</sub> )	Yes	Yes	No	No	No
Long Delay Pickup	0.5-1.0 (I <sub>n</sub> ) <sup>①</sup>	0.5-1.0 (I <sub>n</sub> ) <sup>①</sup>	0.4-1.0 x (I <sub>n</sub> )	0.4-1.0 x (I <sub>n</sub> )	0.4-1.0 x (I <sub>n</sub> )
Long Delay Time I <sup>2</sup> T	12 Seconds	12 Seconds	2-24 Seconds	2-24 Seconds	2-24 Seconds
Long Delay Time I <sup>4</sup> T	No	No	1-5 Seconds	1-5 Seconds	1-5 Seconds
Long Delay Thermal Memory	Yes	Yes	Yes	Yes	Yes
High Load Alarm	No	No	No	0.5-1.0 x I <sub>r</sub>	0.5-1.0 x I <sub>r</sub>
<b>Short Delay Protection (S)</b>					
Short Delay Pickup	200-800% x (I <sub>n</sub> )	200-800% x (I <sub>n</sub> )	150-800% x (I <sub>r</sub> )	150-800% x (I <sub>r</sub> )	150-800% x (I <sub>r</sub> )
Short Delay Time I <sup>2</sup> T	100 ms	No	100-500 ms	100-500 ms	100-500 ms
Short Delay Time Flat	No	Inst-300 ms	100-500 ms	100-500 ms	100-500 ms
Short Delay Time Zone Selective Interlocking	No	No	Yes	Yes	Yes
<b>Instantaneous Protection (I)</b>					
Instantaneous Pickup	No	200-800% x (I <sub>n</sub> )	200-800% x (I <sub>n</sub> )	200-800% x (I <sub>n</sub> )	200-800% x (I <sub>n</sub> )
Discriminator	No	No	Yes	Yes	Yes
Instantaneous Override	Yes	Yes	Yes	Yes	Yes
<b>Ground Fault Protection (G)</b>					
Ground Fault Alarm	No	No	20-100% x (I <sub>s</sub> )	20-100% x (I <sub>s</sub> )	20-100% x (I <sub>s</sub> )
Ground Fault Pickup	Varies by Frame <sup>②</sup>	Varies by Frame <sup>②</sup>	20-100% x (I <sub>s</sub> )	20-100% x (I <sub>s</sub> )	20-100% x (I <sub>s</sub> )
Ground Fault Delay I <sup>2</sup> T	No	No	100-500 ms	100-500 ms	100-500 ms
Ground Fault Delay Flat	Inst-500 ms	Inst-500 ms	100-500 ms	100-500 ms	100-500 ms
Ground Fault Zone Selective Interlocking	No	No	No	Yes	Yes
Ground Fault Thermal Memory	Yes	Yes	Yes	Yes	Yes
<b>System Diagnostics</b>					
Status LEDs	Yes	Yes	Yes	Yes	Yes
Cause of Trip LEDs	No	No	Yes	Yes	Yes
Magnitude of Trip Information	No	No	Yes	Yes	Yes
Remote Signal Contact – Ground Alarm	Yes	Yes	No	Yes	Yes
Local Auxiliary and Bell Alarm Contact	Optional	Optional	Optional	Included	Included
<b>System Monitoring</b>					
Digital Display	No	No	Yes <sup>②</sup>	Yes <sup>②</sup>	Yes <sup>②</sup>
Current	No	No	Yes	Yes	Yes
Power and Energy	No	No	No	No	Yes
Power Quality-Harmonics	No	No	No	No	Yes
Power Factor	No	No	No	No	Yes
<b>Communications</b>					
Cutler-Hammer PowerNet	No	No	No <sup>③</sup>	Yes	Yes
<b>Testing</b>					
Testing Method	Test Set		OPTIMizer, BIM, Cutler-Hammer PowerNet	OPTIMizer, BIM, Cutler-Hammer PowerNet	OPTIMizer, BIM, Cutler-Hammer PowerNet

① Adjust by rating plug.

② By OPTIMizer/BIM.

③ Cutler-Hammer PowerNet kit for field upgrade.

BIM = Breaker Interface Module

(A) = GF Alarm

I<sub>s</sub> = Sensor RatingI<sub>n</sub> = Rating PlugI<sub>r</sub> = Long Delay Pickup Setting

Series C® N-Frame

Type ND Electronic Circuit Breakers with Non-Interchangeable Trip Units

Order as individual components: Breaker Frame, Rating Plug, Terminals

Maximum Continuous Ampere Rating @ 40°C	Digitrip RMS 310 Circuit Breaker Frame Only				Digitrip RMS 310 Rating Plug Only			Standard Terminals Only <sup>①</sup>  See Page 85 for Optional Terminals
	Standard Interrupting Capacity 600 Volt Ac Rated 50 kAIC @ 480 Vac				Ampere Rating	Fixed Rating Plugs	Adjustable Rating Plug	
	Standard		Options					
	Adjustable Short Time Delay with I <sup>2</sup> t Short Delay Ramp	Independently Adjustable Short Time Pickup and Delay	Adjustable Short Time Pickup with I <sup>2</sup> t Short Delay and Ground Fault Protection	Independently Adjustable Short Time Pickup and Delay and Ground Fault Protection				
Catalog Number								

2-Pole

800	ND2800T33W	ND2800T32W	ND2800T35W	ND2800T36W	400 450 500 600 700 800	8NES400T 8NES450T 8NES500T 8NES600T 8NES700T 8NES800T	Adjustable Settings are: 400, 500, 600, 800 A8NES800T1	TA700NB1 TA700NB1 TA700NB1 TA700NB1 TA700NB1 TA1000NB1
-----	------------	------------	------------	------------	--	--	--	---

3-Pole

800	ND3800T33W	ND3800T32W	ND3800T35W	ND3800T36W	400 450 500 600 700 800	8NES400T 8NES450T 8NES500T 8NES600T 8NES700T 8NES800T	Adjustable Settings are: 400, 500, 600, 800 A8NES800T1	TA700NB1 TA700NB1 TA700NB1 TA700NB1 TA700NB1 TA1000NB1
-----	------------	------------	------------	------------	--	--	--	---

4-Pole<sup>②</sup>

800	ND4800T33W	ND4800T32W	-	-	400 450 500 600 700 800	8NES400T 8NES450T 8NES500T 8NES600T 8NES700T 8NES800T	Adjustable Settings are: 400, 500, 600, 800 A8NES800T1	TA700NB1 TA700NB1 TA700NB1 TA700NB1 TA700NB1 TA1000NB1
-----	------------	------------	---	---	--	--	--	---

2-Pole

1200	ND212T33W	ND212T32W	ND212T35W	ND212T36W	600 700 800 900 1000 1200	12NES600T 12NES700T 12NES800T 12NES900T 12NES1000T 12NES1200T	Adjustable Settings are: 600, 800, 1000, 1200 A12NES1200T1	TA700NB1 TA700NB1 TA1000NB1 TA1000NB1 TA1000NB1 TA1200NB1
------	-----------	-----------	-----------	-----------	--	--	--	--

3-Pole

1200	ND312T33W	ND312T32W	ND312T35W	ND312T36W	600 700 800 900 1000 1200	12NES600T 12NES700T 12NES800T 12NES900T 12NES1000T 12NES1200T	Adjustable Settings are: 600, 800, 1000, 1200 A12NES1200T1	TA700NB1 TA700NB1 TA1000NB1 TA1000NB1 TA1000NB1 TA1200NB1
------	-----------	-----------	-----------	-----------	--	--	--	--

4-Pole<sup>②</sup>

1200	ND412T33W	ND412T32W	-	-	600 700 800 900 1000 1200	12NES600T 12NES700T 12NES800T 12NES900T 12NES1000T 12NES1200T	Adjustable Settings are: 600, 800, 1000, 1200 A12NES1200T1	TA700NB1 TA700NB1 TA1000NB1 TA1000NB1 TA1000NB1 TA1200NB1
------	-----------	-----------	---	---	--	--	--	--

Instruction Leaflet/FRED Number 29C106

① Two terminals are required per pole.

② Neutral is in right pole.

## Series C® N-Frame

### Type HND Electronic Circuit Breakers with Non-Interchangeable Trip Units

Order as individual components: Breaker Frame, Rating Plug, Terminals

Maximum Continuous Ampere Rating @ 40°C	Digitrip RMS 310 Circuit Breaker Frame Only				Digitrip RMS 310 Rating Plug Only			Standard Terminals Only <sup>①</sup>  See Page 85 for Optional Terminals
	High Interrupting Capacity 600 Volt Ac Rated 65 kAIC @ 480 Vac				Ampere Rating	Fixed Rating Plugs	Adjustable Rating Plug	
	Standard		Options					
	Adjustable Short Time Delay with I <sup>2</sup> t Short Delay Ramp	Independently Adjustable Short Time Pickup and Delay	Adjustable Short Time Pickup with I <sup>2</sup> t Short Delay and Ground Fault Protection	Independently Adjustable Short Time Pickup and Delay and Ground Fault Protection				
Catalog Number								

## 2-Pole

800	HND2800T33W	HND2800T32W	HND2800T35W	HND2800T36W	400 450 500 600 700 800	8NES400T 8NES450T 8NES500T 8NES600T 8NES700T 8NES800T	Adjustable Settings are: 400, 500, 600, 800 A8NES800T1	TA700NB1 TA700NB1 TA700NB1 TA700NB1 TA700NB1 TA1000NB1
-----	-------------	-------------	-------------	-------------	--	--	--	---

## 3-Pole

800	HND3800T33W	HND3800T32W	HND3800T35W	HND3800T36W	400 450 500 600 700 800	8NES400T 8NES450T 8NES500T 8NES600T 8NES700T 8NES800T	Adjustable Settings are: 400, 500, 600, 800 A8NES800T1	TA700NB1 TA700NB1 TA700NB1 TA700NB1 TA700NB1 TA1000NB1
-----	-------------	-------------	-------------	-------------	--	--	--	---

4-Pole<sup>②</sup>

800	HND4800T33W	HND4800T32W	—	—	400 450 500 600 700 800	8NES400T 8NES450T 8NES500T 8NES600T 8NES700T 8NES800T	Adjustable Settings are: 400, 500, 600, 800 A8NES800T1	TA700NB1 TA700NB1 TA700NB1 TA700NB1 TA700NB1 TA1000NB1
-----	-------------	-------------	---	---	--	--	--	---

## 2-Pole

1200	HND212T33W	HND212T32W	HND212T35W	HND212T36W	600 700 800 900 1000 1200	12NES600T 12NES700T 12NES800T 12NES900T 12NES1000T 12NES1200T	Adjustable Settings are: 600, 800, 1000, 1200 A12NES1200T1	TA700NB1 TA700NB1 TA1000NB1 TA1000NB1 TA1000NB1 TA1200NB1
------	------------	------------	------------	------------	--	--	--	--

## 3-Pole

1200	HND312T33W	HND312T32W	HND312T35W	HND312T36W	600 700 800 900 1000 1200	12NES600T 12NES700T 12NES800T 12NES900T 12NES1000T 12NES1200T	Adjustable Settings are: 600, 800, 1000, 1200 A12NES1200T1	TA700NB1 TA700NB1 TA1000NB1 TA1000NB1 TA1000NB1 TA1200NB1
------	------------	------------	------------	------------	--	--	--	--

4-Pole<sup>②</sup>

1200	HND412T33W	HND412T32W	—	—	600 700 800 900 1000 1200	12NES600T 12NES700T 12NES800T 12NES900T 12NES1000T 12NES1200T	Adjustable Settings are: 600, 800, 1000, 1200 A12NES1200T1	TA700NB1 TA700NB1 TA1000NB1 TA1000NB1 TA1000NB1 TA1200NB1
------	------------	------------	---	---	--	--	--	--

Instruction Leaflet/FRED Number 29C106

① Two terminals are required per pole.

② Neutral is in right pole.

Series C® N-Frame

Type NDC Electronic Circuit Breakers with Non-Interchangeable Trip Units

Order as individual components: Breaker Frame, Rating Plug, Terminals

Maximum Continuous Ampere Rating @ 40°C	Digitrip RMS 310 Circuit Breaker Frame Only				Digitrip RMS 310 Rating Plug Only			Standard Terminals Only <sup>①</sup>  See Page 85 for Optional Terminals
	Ultra High Interrupting Capacity 600 Volt Ac Rated 100 kAIC @ 480 Vac				Ampere Rating	Fixed Rating Plugs	Adjustable Rating Plug	
	Standard	Options					Adjustable Ampere Ratings Catalog Number	
	Adjustable Short Time Delay with I <sup>2</sup> t Short Delay Ramp	Independently Adjustable Short Time Pickup and Delay	Adjustable Short Time Pickup with I <sup>2</sup> t Short Delay and Ground Fault Protection	Independently Adjustable Short Time Pickup and Delay and Ground Fault Protection				
Catalog Number								

2-Pole

800	NDC2800T33W	NDC2800T32W	NDC2800T35W	NDC2800T36W	400	8NES400T	Adjustable Settings are: 400, 500, 600, 800 A8NES800T1	TA700NB1 TA700NB1 TA700NB1 TA700NB1 TA700NB1 TA1000NB1
					450	8NES450T		
					500	8NES500T		
					600	8NES600T		
					700	8NES700T		
					800	8NES800T		

3-Pole

800	NDC3800T33W	NDC3800T32W	NDC3800T35W	NDC3800T36W	400	8NES400T	Adjustable Settings are: 400, 500, 600, 800 A8NES800T1	TA700NB1 TA700NB1 TA700NB1 TA700NB1 TA700NB1 TA1000NB1
					450	8NES450T		
					500	8NES500T		
					600	8NES600T		
					700	8NES700T		
					800	8NES800T		

4-Pole<sup>②</sup>

800	NDC4800T33W	NDC4800T32W	-	-	400	8NES400T	Adjustable Settings are: 400, 500, 600, 800 A8NES800T1	TA700NB1 TA700NB1 TA700NB1 TA700NB1 TA700NB1 TA1000NB1
					450	8NES450T		
					500	8NES500T		
					600	8NES600T		
					700	8NES700T		
					800	8NES800T		

2-Pole

1200	NDC212T33W	NDC212T32W	NDC212T35W	NDC212T36W	600	12NES600T	Adjustable Settings are: 600, 800, 1000, 1200 A12NES1200T1	TA700NB1 TA700NB1 TA1000NB1 TA1000NB1 TA1000NB1 TA1200NB1
					700	12NES700T		
					800	12NES800T		
					900	12NES900T		
					1000	12NES1000T		
					1200	12NES1200T		

3-Pole

1200	NDC312T33W	NDC312T32W	NDC312T35W	NDC312T36W	600	12NES600T	Adjustable Settings are: 600, 800, 1000, 1200 A12NES1200T1	TA700NB1 TA700NB1 TA1000NB1 TA1000NB1 TA1000NB1 TA1200NB1
					700	12NES700T		
					800	12NES800T		
					900	12NES900T		
					1000	12NES1000T		
					1200	12NES1200T		

4-Pole<sup>②</sup>

1200	NDC412T33W	NDC412T32W	-	-	600	12NES600T	Adjustable Settings are: 600, 800, 1000, 1200 A12NES1200T1	TA700NB1 TA700NB1 TA1000NB1 TA1000NB1 TA1000NB1 TA1200NB1
					700	12NES700T		
					800	12NES800T		
					900	12NES900T		
					1000	12NES1000T		
					1200	12NES1200T		

Instruction Leaflet/FRED Number 29C106

① Two terminals are required per pole.

② Neutral is in right pole.

## Series C® N-Frame

### 100% Rated Type CND Electronic Circuit Breakers with Non-Interchangeable Trip Units

The NEC allows the breaker to be rated at 100% of its frame size in an assembly, provided that 90°C wire is applied at the 75°C ampacity. Order as individual components: Breaker Frame, Rating Plug, Terminals

Maximum Continuous Ampere Rating @ 40°C	Digitrip RMS 310 Circuit Breaker Frame Only				Digitrip RMS 310 Rating Plug Only			Standard Terminals Only <sup>①</sup>  See Page 85 for Optional Terminals
	Standard Interrupting Capacity 600 Volt Ac Rated 50 kAIC @ 480 Vac				Ampere Rating	Fixed Rating Plugs	Adjustable Rating Plug	
	Standard		Options					
	Adjustable Short Time Delay with I <sup>2</sup> t Short Delay Ramp	Independently Adjustable Short Time Pickup and Delay	Adjustable Short Time Pickup with I <sup>2</sup> t Short Delay and Ground Fault Protection	Independently Adjustable Short Time Pickup and Delay and Ground Fault Protection				
Catalog Number								

## 2-Pole

800	CND2800T33W	CND2800T32W	CND2800T35W	CND2800T36W	400 450 500 600 700 800	8NES400T 8NES450T 8NES500T 8NES600T 8NES700T 8NES800T	Adjustable Settings are: 400, 500, 600, 800 A8NES800T1	TA700NB1 TA700NB1 TA700NB1 TA700NB1 TA700NB1 TA1000NB1
-----	-------------	-------------	-------------	-------------	--	--	--	---

## 3-Pole

800	CND3800T33W	CND3800T32W	CND3800T35W	CND3800T36W	400 450 500 600 700 800	8NES400T 8NES450T 8NES500T 8NES600T 8NES700T 8NES800T	Adjustable Settings are: 400, 500, 600, 800 A8NES800T1	TA700NB1 TA700NB1 TA700NB1 TA700NB1 TA700NB1 TA1000NB1
-----	-------------	-------------	-------------	-------------	--	--	--	---

4-Pole<sup>②</sup>

800	CND4800T33W	CND4800T32W	—	—	400 450 500 600 700 800	8NES400T 8NES450T 8NES500T 8NES600T 8NES700T 8NES800T	Adjustable Settings are: 400, 500, 600, 800 A8NES800T1	TA700NB1 TA700NB1 TA700NB1 TA700NB1 TA700NB1 TA1000NB1
-----	-------------	-------------	---	---	--	--	--	---

## 2-Pole

1200	CND212T33W	CND212T32W	CND212T35W	CND212T36W	600 700 800 900 1000 1200	12NES600T 12NES700T 12NES800T 12NES900T 12NES1000T 12NES1200T	Adjustable Settings are: 600, 800, 1000, 1200 A12NES1200T1	TA700NB1 TA700NB1 TA1000NB1 TA1000NB1 TA1000NB1 TA1200NB1
------	------------	------------	------------	------------	--	--	--	--

## 3-Pole

1200	CND312T33W	CND312T32W	CND312T35W	CND312T36W	600 700 800 900 1000 1200	12NES600T 12NES700T 12NES800T 12NES900T 12NES1000T 12NES1200T	Adjustable Settings are: 600, 800, 1000, 1200 A12NES1200T1	TA700NB1 TA700NB1 TA1000NB1 TA1000NB1 TA1000NB1 TA1200NB1
------	------------	------------	------------	------------	--	--	--	--

4-Pole<sup>②</sup>

1200	CND412T33W	CND412T32W	—	—	600 700 800 900 1000 1200	12NES600T 12NES700T 12NES800T 12NES900T 12NES1000T 12NES1200T	Adjustable Settings are: 600, 800, 1000, 1200 A12NES1200T1	TA700NB1 TA700NB1 TA1000NB1 TA1000NB1 TA1000NB1 TA1200NB1
------	------------	------------	---	---	--	--	--	--

Instruction Leaflet/FRED Number 29C106

① Two terminals are required per pole.

② Neutral is in right pole.

Series C® N-Frame

100% Rated Type CHND Electronic Circuit Breakers with Non-Interchangeable Trip Units

The NEC allows the breaker to be rated at 100% of its frame size in an assembly, provided that 90°C wire is applied at the 75°C ampacity. Order as individual components: Breaker Frame, Rating Plug, Terminals

Maximum Continuous Ampere Rating @ 40°C	Digitrip RMS 310 Circuit Breaker Frame Only				Digitrip RMS 310 Rating Plug Only			Standard Terminals Only <sup>①</sup>
	High Interrupting Capacity 600 Volt Ac Rated 65 kAIC @ 480 Vac				Ampere Rating	Fixed Rating Plugs	Adjustable Rating Plug	See Page 85 for Optional Terminals
	Standard		Options					
	Adjustable Short Time Delay with I <sup>2</sup> t Short Delay Ramp	Independently Adjustable Short Time Pickup and Delay	Adjustable Short Time Pickup with I <sup>2</sup> t Short Delay and Ground Fault Protection	Independently Adjustable Short Time Pickup and Delay and Ground Fault Protection			Adjustable Ampere Ratings Catalog Number	
Catalog Number								

2-Pole

800	CHND2800T33W	CHND2800T32W	CHND2800T35W	CHND2800T36W	400 450 500 600 700 800	8NES400T 8NES450T 8NES500T 8NES600T 8NES700T 8NES800T	Adjustable Settings are: 400, 500, 600, 800 A8NES800T1	TA700NB1 TA700NB1 TA700NB1 TA700NB1 TA700NB1 TA1000NB1
-----	--------------	--------------	--------------	--------------	--	--	--	---

3-Pole

800	CHND3800T33W	CHND3800T32W	CHND3800T35W	CHND3800T36W	400 450 500 600 700 800	8NES400T 8NES450T 8NES500T 8NES600T 8NES700T 8NES800T	Adjustable Settings are: 400, 500, 600, 800 A8NES800T1	TA700NB1 TA700NB1 TA700NB1 TA700NB1 TA700NB1 TA1000NB1
-----	--------------	--------------	--------------	--------------	--	--	--	---

4-Pole<sup>②</sup>

800	CHND4800T33W	CHND4800T32W	-	-	400 450 500 600 700 800	8NES400T 8NES450T 8NES500T 8NES600T 8NES700T 8NES800T	Adjustable Settings are: 400, 500, 600, 800 A8NES800T1	TA700NB1 TA700NB1 TA700NB1 TA700NB1 TA700NB1 TA1000NB1
-----	--------------	--------------	---	---	--	--	--	---

2-Pole

1200	CHND212T33W	CHND212T32W	CHND212T35W	CHND212T36W	600 700 800 900 1000 1200	12NES600T 12NES700T 12NES800T 12NES900T 12NES1000T 12NES1200T	Adjustable Settings are: 600, 800, 1000, 1200 A12NES1200T1	TA700NB1 TA700NB1 TA1000NB1 TA1000NB1 TA1000NB1 TA1200NB1
------	-------------	-------------	-------------	-------------	--	--	--	--

3-Pole

1200	CHND312T33W	CHND312T32W	CHND312T35W	CHND312T36W	600 700 800 900 1000 1200	12NES600T 12NES700T 12NES800T 12NES900T 12NES1000T 12NES1200T	Adjustable Settings are: 600, 800, 1000, 1200 A12NES1200T1	TA700NB1 TA700NB1 TA1000NB1 TA1000NB1 TA1000NB1 TA1200NB1
------	-------------	-------------	-------------	-------------	--	--	--	--

4-Pole<sup>②</sup>

1200	CHND412T33W	CHND412T32W	-	-	600 700 800 900 1000 1200	12NES600T 12NES700T 12NES800T 12NES900T 12NES1000T 12NES1200T	Adjustable Settings are: 600, 800, 1000, 1200 A12NES1200T1	TA700NB1 TA700NB1 TA1000NB1 TA1000NB1 TA1000NB1 TA1200NB1
------	-------------	-------------	---	---	--	--	--	--

Instruction Leaflet/FRED Number 29C106

① Two terminals are required per pole.

② Neutral is in right pole.

## Series C® N-Frame

### 100% Rated Type CNDC Electronic Circuit Breakers with Non-Interchangeable Trip Units

The NEC allows the breaker to be rated at 100% of its frame size in an assembly, provided that 90°C wire is applied at the 75°C ampacity. Order as individual components: Breaker Frame, Rating Plug, Terminals

Maximum Continuous Ampere Rating @ 40°C	Digitrip RMS 310 Circuit Breaker Frame Only				Digitrip RMS 310 Rating Plug Only			Standard Terminals Only <sup>①</sup>  See Page 85 for Optional Terminals
	Ultra High Interrupting Capacity 600 Volt Ac Rated 100 kAIC @ 480 Vac				Ampere Rating	Fixed Rating Plugs	Adjustable Rating Plug	
	Standard		Options				Adjustable Ampere Ratings Catalog Number	
	Adjustable Short Time Delay with I <sup>2</sup> t Short Delay Ramp	Independently Adjustable Short Time Pickup and Delay	Adjustable Short Time Pickup with I <sup>2</sup> t Short Delay and Ground Fault Protection	Independently Adjustable Short Time Pickup and Delay and Ground Fault Protection				
Catalog Number								

## 2-Pole

800	CNDC2800T33W	CNDC2800T32W	CNDC2800T35W	CNDC2800T36W	400 450 500 600 700 800	8NES400T 8NES450T 8NES500T 8NES600T 8NES700T 8NES800T	Adjustable Settings are: 400, 500, 600, 800 A8NES800T1	TA700NB1 TA700NB1 TA700NB1 TA700NB1 TA700NB1 TA1000NB1
-----	--------------	--------------	--------------	--------------	--	--	--	---

## 3-Pole

800	CNDC3800T33W	CNDC3800T32W	CNDC3800T35W	CNDC3800T36W	400 450 500 600 700 800	8NES400T 8NES450T 8NES500T 8NES600T 8NES700T 8NES800T	Adjustable Settings are: 400, 500, 600, 800 A8NES800T1	TA700NB1 TA700NB1 TA700NB1 TA700NB1 TA700NB1 TA1000NB1
-----	--------------	--------------	--------------	--------------	--	--	--	---

4-Pole<sup>②</sup>

800	CNDC4800T33W	CNDC4800T32W	–	–	400 450 500 600 700 800	8NES400T 8NES450T 8NES500T 8NES600T 8NES700T 8NES800T	Adjustable Settings are: 400, 500, 600, 800 A8NES800T1	TA700NB1 TA700NB1 TA700NB1 TA700NB1 TA700NB1 TA1000NB1
-----	--------------	--------------	---	---	--	--	--	---

## 2-Pole

1200	CNDC212T33W	CNDC212T32W	CNDC212T35W	CNDC212T36W	600 700 800 900 1000 1200	12NES600T 12NES700T 12NES800T 12NES900T 12NES1000T 12NES1200T	Adjustable Settings are: 600, 800, 1000, 1200 A12NES1200T1	TA700NB1 TA700NB1 TA1000NB1 TA1000NB1 TA1000NB1 TA1200NB1
------	-------------	-------------	-------------	-------------	--	--	--	--

## 3-Pole

1200	CNDC312T33W	CNDC312T32W	CNDC312T35W	CNDC312T36W	600 700 800 900 1000 1200	12NES600T 12NES700T 12NES800T 12NES900T 12NES1000T 12NES1200T	Adjustable Settings are: 600, 800, 1000, 1200 A12NES1200T1	TA700NB1 TA700NB1 TA1000NB1 TA1000NB1 TA1000NB1 TA1200NB1
------	-------------	-------------	-------------	-------------	--	--	--	--

4-Pole<sup>②</sup>

1200	CNDC412T33W	CNDC412T32W	–	–	600 700 800 900 1000 1200	12NES600T 12NES700T 12NES800T 12NES900T 12NES1000T 12NES1200T	Adjustable Settings are: 600, 800, 1000, 1200 A12NES1200T1	TA700NB1 TA700NB1 TA1000NB1 TA1000NB1 TA1000NB1 TA1200NB1
------	-------------	-------------	---	---	--	--	--	--

Instruction Leaflet/FRED Number 29C106

① Two terminals are required per pole.

② Neutral is in right pole.

**Digitrip OPTIM<sup>①</sup> Electronic Circuit Breakers with Interchangeable Rating Plugs**

Order as individual components: Breaker Frame (which includes Trip Unit), Rating Plug, Terminals.

Maximum Continuous Ampere Rating @ 40°C	Circuit Breaker Frame Only						Digitrip OPTIM Rating Plug Only	
	L – Adjustable Long Delay Pickup ( $I_L$ ) with Adjustable Long Delay Time ( $I^2t$ or $I^4t$ Response) <sup>②</sup> S – Adjustable Short Delay Pickup with Adjustable Short Delay Time ( $I^2t$ or Flat Response) I – Adjustable Instantaneous Pickup G – Adjustable Ground Fault Pickup with Adjustable Ground Fault Time Delay ( $I^2t$ or Flat Response) A – Adjustable Ground Fault Alarm with Adjustable Ground Fault Time Delay ( $I^2t$ or Flat Response)						Ampere Rating	Fixed Rating Plug
	OPTIM 550	OPTIM 550	OPTIM 550	OPTIM 750	OPTIM 750	OPTIM 1050		
	LSI	LSIG	LSIA	LSIG	LSIA	LSIG	LSIA	
Catalog Number								

**3-Pole Standard Interrupting Capacity 600 Volt Ac Rated 50 kAIC @ 480 Vac**

800	ND3800T52W	ND3800T56W	ND3800T57W	ND3800T76W	ND3800T77W	ND3800T106W	ND3800T107W	400 450 500 550 600 700 800	ORPN80A400 ORPN80A450 ORPN80A500 ORPN80A550 ORPN80A600 ORPN80A700 ORPN80A800
1200	ND312T52W	ND312T56W	ND312T57W	ND312T76W	ND312T77W	ND312T106W	ND312T107W	600 700 800 1000 1200	ORPN80A600 ORPN80A700 ORPN80A800 ORPN80A100 ORPN80A120

**3-Pole High Interrupting Capacity 600 Volt Ac Rated 65 kAIC @ 480 Vac**

800	HND3800T52W	HND3800T56W	HND3800T57W	HND3800T76W	HND3800T77W	HND3800T106W	HND3800T107W	400 450 500 550 600 700 800	ORPN80A400 ORPN80A450 ORPN80A500 ORPN80A550 ORPN80A600 ORPN80A700 ORPN80A800
1200	HND312T52W	HND312T56W	HND312T57W	HND312T76W	HND312T77W	HND312T106W	HND312T107W	600 700 800 1000 1200	ORPN80A600 ORPN80A700 ORPN80A800 ORPN80A100 ORPN80A120

**3-Pole Ultra High Interrupting Capacity 600 Volt Ac Rated 100 kAIC @ 480 Vac**

800	NDC3800T52W	NDC3800T56W	NDC3800T57W	NDC3800T76W	NDC3800T77W	NDC3800T106W	NDC3800T107W	400 450 500 550 600 700 800	ORPN80A400 ORPN80A450 ORPN80A500 ORPN80A550 ORPN80A600 ORPN80A700 ORPN80A800
1200	NDC312T52W	NDC312T56W	NDC312T57W	NDC312T76W	NDC312T77W	NDC312T106W	NDC312T107W	600 700 800 1000 1200	ORPN80A600 ORPN80A700 ORPN80A800 ORPN80A100 ORPN80A120

Instruction Leaflet/FRED Number 29C106 for Breaker; 29C891 for OPTIM Trip

① 1 Form C auxiliary switch and 1 Form C bell (trip) alarm switch supplied with breaker as standard on models 750 and 1050.

② Long delay  $I^4t$  response selection limits short delay time to flat response.



**Series C® N-Frame**

**100% Rated Digitrip OPTIM<sup>①</sup> Circuit Breakers with Interchangeable Rating Plugs**

Order as individual components: Breaker Frame (which includes Trip Unit), Rating Plug, Terminals.

Maximum Continuous Ampere Rating @ 40°C	Circuit Breaker Frame Only						Digitrip OPTIM Rating Plug Only	
	L – Adjustable Long Delay Pickup (I <sub>2</sub> ) with Adjustable Long Delay Time (I <sup>2</sup> t or I <sup>4</sup> t Response) <sup>②</sup> S – Adjustable Short Delay Pickup with Adjustable Short Delay Time (I <sup>2</sup> t or Flat Response) I – Adjustable Instantaneous Pickup G – Adjustable Ground Fault Pickup with Adjustable Ground Fault Time Delay (I <sup>2</sup> t or Flat Response) A – Adjustable Ground Fault Alarm with Adjustable Ground Fault Time Delay (I <sup>2</sup> t or Flat Response)						Ampere Rating	Fixed Rating Plug
	OPTIM 550	OPTIM 550	OPTIM 550	OPTIM 750	OPTIM 750	OPTIM 1050		
	LSI	LSIG	LSIA	LSIG	LSIA	LSIG	LSIA	
Catalog Number								

**3-Pole Standard Interrupting Capacity 600 Volt Ac Rated 50 kAIC @ 480 Vac**

800	CND3800T52W	CND3800T56W	CND3800T57W	CND3800T76W	CND3800T77W	CND3800T106W	CND3800T107W	400 450 500 550 600 700 800	ORPN80A400 ORPN80A450 ORPN80A500 ORPN80A550 ORPN80A600 ORPN80A700 ORPN80A800
1200	CND312T52W	CND312T56W	CND312T57W	CND312T76W	CND312T77W	CND312T106W	CND312T107W	600 700 800 1000 1200	ORPN80A600 ORPN80A700 ORPN80A800 ORPN80A100 ORPN80A120

**3-Pole High Interrupting Capacity 600 Volt Ac Rated 65 kAIC @ 480 Vac**

800	CHND3800T52W	CHND3800T56W	CHND3800T57W	CHND3800T76W	CHND3800T77W	CHND3800T106W	CHND3800T107W	400 450 500 550 600 700 800	ORPN80A400 ORPN80A450 ORPN80A500 ORPN80A550 ORPN80A600 ORPN80A700 ORPN80A800
1200	CHND312T52W	CHND312T56W	CHND312T57W	CHND312T76W	CHND312T77W	CHND312T106W	CHND312T107W	600 700 800 1000 1200	ORPN80A600 ORPN80A700 ORPN80A800 ORPN80A100 ORPN80A120

**3-Pole Ultra High Interrupting Capacity 600 Volt Ac Rated 100 kAIC @ 480 Vac**

800	CNDC3800T52W	CNDC3800T56W	CNDC3800T57W	CNDC3800T76W	CNDC3800T77W	CNDC3800T106W	CNDC3800T107W	400 450 500 550 600 700 800	ORPN80A400 ORPN80A450 ORPN80A500 ORPN80A550 ORPN80A600 ORPN80A700 ORPN80A800
1200	CNDC312T52W	CNDC312T56W	CNDC312T57W	CNDC312T76W	CNDC312T77W	CNDC312T106W	CNDC312T107W	600 700 800 1000 1200	ORPN80A600 ORPN80A700 ORPN80A800 ORPN80A100 ORPN80A120

Instruction Leaflet/FRED Number 29C106 for Breaker; 29C891 for OPTIM Trip

① 1 Form C auxiliary switch and 1 Form C bell (trip) alarm switch supplied with breaker as standard on models 750 and 1050.

② Long delay I<sup>4</sup>t response selection limits short delay time to flat response.

**Type ND Molded Case Switches**

Continuous Ampere Rating @ 40°C	Catalog Number		
	2-Pole	3-Pole	4-Pole <sup>①</sup>
Complete with Standard Line and Load Terminals (shipped separately)			
Type ND – High Instantaneous (K)			
800	–	ND3800WK	ND4800WK
Type ND – High Instantaneous (K)			
1200	–	ND312WK	ND412WK

**Note:** Molded case switch may trip above 14,000 amperes.

For UL listed, series tested molded case switch application data, refer to Cutler-Hammer.

Instruction Leaflet/FRED Number 29C106

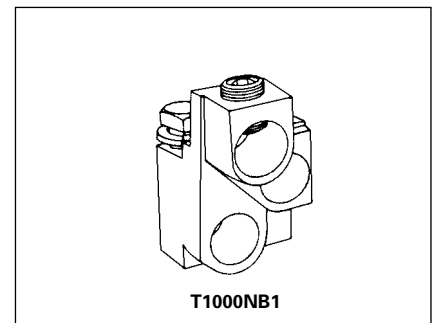
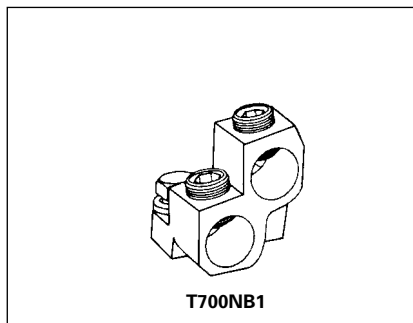
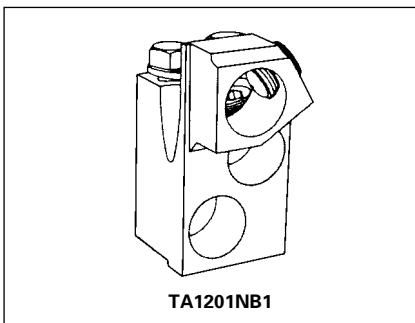
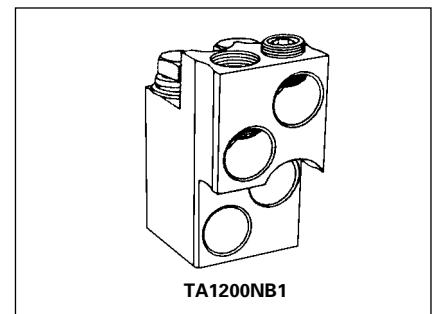
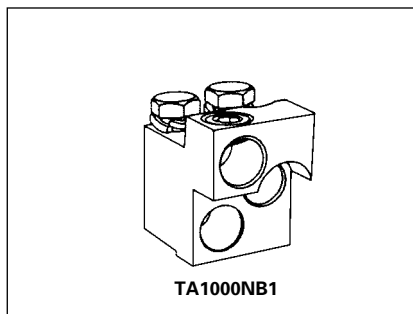
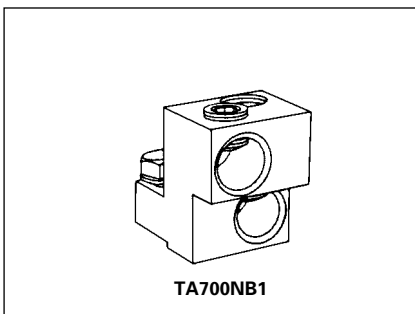
**Line and Load Terminals**

**Ordering Information**

N-frame circuit breakers use Cu/Al terminals as standard. When optional copper or Cu/Al terminals are required, order by catalog number. Specify if factory installation is required.

**Line and Load Terminals**

Maximum Breaker Amperes	Terminal Body Material	Wire Type	AWG Wire Range/No. Conductors	Metric Wire Range mm <sup>2</sup>	Catalog Number
<b>Standard Cu/Al Pressure Terminals</b>					
700	Aluminum	Cu/Al	(2) 1-500 kcmil	50-300	TA700NB1
1000	Aluminum	Cu/Al	(3) 3/0-400 kcmil	95-185	TA1000NB1 <sup>②</sup>
1200	Aluminum	Cu/Al	(4) 4/0-500 kcmil	120-300	TA1200NB1 <sup>②</sup>
1200	Aluminum	Cu/Al	(3) 500-750 kcmil	300-400	TA1201NB1 <sup>③</sup>
<b>Optional Copper and Cu/Al Pressure Type Terminals</b>					
700	Copper	Cu	(2) 2/0-500 kcmil	70-300	T700NB1
1000	Copper	Cu	(3) 3/0-500 kcmil	95-300	T1000NB1
1200	Copper	Cu	(4) 3/0-400 kcmil	95-185	T1200NB3



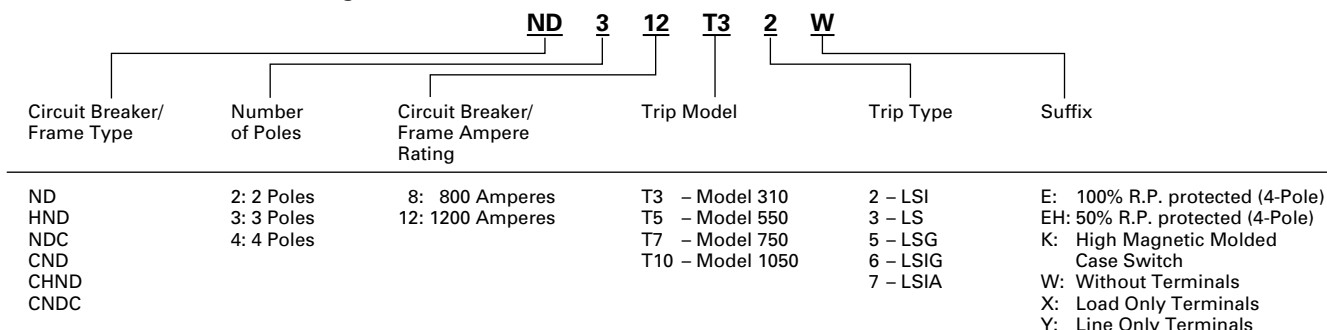
- ① Neutral is in right pole.
- ② Terminal rating is A19 Cu.
- ③ Terminal rating is A17 Cu.

## Series C® N-Frame

## Catalog Numbering System

This information is presented only as an aid to understanding catalog numbers. It is not to be used to build catalog numbers for circuit breakers or trip units.

### Circuit Breaker/Frame Catalog Number



## Dimensions/Weights

### Dimensions, Inches (mm)

Number of Poles	Width	Height	Depth
2, 3	8.25 (210)	16 (407)	5.5 (140)
4	11.125 (283)	16 (407)	5.5 (140)

### Approximate Shipping Weight, Lbs. (kg)

Breaker Type	Complete Breaker		
	Number of Poles		
	2	3	4
ND, HND, NDC	37 (16.783)	45 (20.412)	58 (26.308)

### Allowable Accessory Combinations

Different combinations of accessories can be supplied, depending on the types of accessories and the number of poles in the circuit breaker.

	Reference Page	3-Pole			4-Pole			
		Left	Center	Right	Left	Center	Right	Neu.
<b>Internal Accessories (Only One Internal Accessory Per Pole)①</b>								
Alarm Lockout (Make/Break)	141	■		■	■		■	
Alarm Lockout (2Make/2Break)	141	■		■	■		■	
Auxiliary Switch (1A, 1B)	144	■		■	■		■	
Auxiliary Switch (2A, 2B)	144	■		■	■		■	
Auxiliary Switch (3A, 3B)	144	■		■	■		■	
Auxiliary Switch (1A 1B) and Alarm Switch Combination	146	■		■	■		■	
Auxiliary Switch (2A 2B) and Alarm Switch Combination	146	■		■	■		■	
Shunt Trip – Standard	150	■			■			
Shunt Trip – Low Energy	152	■			■			
Undervoltage Release Mechanism	158	■			■			
Cutler-Hammer PowerNet Communications Kit (OPTIM 550)	160			■				

**External Accessories**

Base Mounting Hardware	163		●				●	
Interphase Barriers	166		●				●	
Non-Padlockable Handle Block	168		■				■	
Padlockable Handle Lock Hasp	169	□		□	□		□	
Key Interlock Kit	170	□		□	□		□	
Sliding Bar Interlock – Requires Two Breakers	171		●					
Walking Beam Interlock – Requires Two Breakers	171		●				●	
Electrical (Motor) Operator	173		●				●	
Plug-in Adapters	174		●				●	
Rear Connecting Studs	176		●				●	
Panelboard Connecting Straps	177		●				●	
Handle Mechanisms	178		●				●	
Handle Extension	182		●				●	
Solid-State (Electronic) Portable Test Kit	184		●				●	

**OPTIM System Components 3-Poles**

Ground Fault Alarm Unit	184							
Potential Transformer Module	184							
Breaker Interface Module (BIM)	185							
Digitrip OPTIMizer	185							
Auxiliary Power Module	185							
Cutler-Hammer PowerNet Software	185							

**Modifications (Refer to Cutler-Hammer)**

Special Calibration	186		●				●	
Moisture Fungus Treatment	186		●				●	
Freeze-Tested Circuit Breakers	186		●				●	
Marine Application	186		●				●	

■ Applicable in indicated pole position

□ May be mounted on left or right pole – not both

● Accessory available/Modification available

① OPTIM 750 and 1050 are factory sealed and do not have the right pole available for accessories.



Series C® R-Frame



Typical Series C R-Frame Circuit Breaker

- R-frame circuit breakers are available as frame (which includes trip unit), rating plug and terminals.
- All R-frame circuit breakers are suitable for reverse feed use.

### Interrupting Capacity Ratings

#### UL489/CSA Interrupting Capacity Ratings ①

Circuit Breaker Type	Number of Poles	Interrupting Capacity (Symmetrical Amperes) (kA)				Circuit Breaker Type	Page Numbers					
		Volts Ac (50/60 Hz)					Trip Unit Types②					
		240	277	480	600		310	510	610	810	910	OPTIM
RD	3, 4	125	–	65	50	RD	91	94	96	98	100	102
CRD ③	3, 4	125	–	65	50	CRD	93	95	97	99	101	103
RDC	3, 4	200	–	100	65	RDC	92	94	96	98	100	102
CRDC ③	3, 4	200	–	100	65	CRDC	93	95	97	99	101	103

#### IEC 947-2 Interrupting Capacity Ratings ①

Circuit Breaker Type	Number of Poles	Interrupting Capacity (Symmetrical Amperes) (kA)			Circuit Breaker Type	Page Numbers					
		Volts Ac (50/60 Hz)				Trip Unit Types②					
		240	415	690		310	510	610	810	910	OPTIM
RD I <sub>CU</sub> I <sub>CS</sub>	3, 4	135 100	70 50	25 13	RD	91	94	96	98	100	102
RDC I <sub>CU</sub> I <sub>CS</sub>	3, 4	200 100	100 50	35 18	RDC	92	94	96	98	100	102

① Utilization Category A circuit breakers.  
 ② See page 90 for Trip Unit Selection Guide  
 ③ 100% Rated breakers.

## Series C® R-Frame

## R-Frame Digitrip Selection Guide

Trip Unit Type	Digitrip RMS 310	Digitrip RMS 510	Digitrip RMS 610	Digitrip OPTIM 750	Digitrip RMS 810	Digitrip RMS 910	Digitrip OPTIM 1050	
RMS Sensing	Yes	Yes	Yes	Yes	Yes	Yes	Yes	
<b>Breaker Type</b>								
Frame	R	R	R	R	R	R	R	
Ampere Range	800A-2500A	800A-2500A	800A-2500A	800A-2500A	800A-2500A	800A-2500A	800A-2500A	
Interrupting Rating @ 480V	65, 100 (kA)	65, 100 (kA)	65, 100 (kA)	65, 100 (kA)	65, 100 (kA)	65, 100 (kA)	65, 100 (kA)	
<b>Protection</b>								
Ordering Options	LS, LSG	LSI, LSIG	LI, LS, LSI, LIG, LSG, LSIG	LI, LS, LSI, LIG, LSG, LSIG	LSI(A), LSIG	LI, LS, LSI, LIG, LSG, LSIG	LSI(A), LSIG	
Fixed Rated Plug (I <sub>n</sub> )	Yes	Yes	Yes	Yes	Yes	Yes	Yes	
Overtemperature Trip	Yes	Yes	Yes	Yes	Yes	Yes	Yes	
<b>Long Delay Protection (L)</b>								
Adjustable Rating Plug (I <sub>n</sub> )	Yes	Yes	No	No	No	No	No	
Long Delay Pickup	0.5-1.0 (I <sub>n</sub> ) <sup>①</sup>	0.5-1.0 (I <sub>n</sub> ) <sup>①</sup>	0.5-1.0 x (I <sub>n</sub> )	0.5-1.0 x (I <sub>n</sub> )	0.4-1.0 x (I <sub>n</sub> )	0.5-1.0 x (I <sub>n</sub> )	0.5-1.0 x (I <sub>n</sub> )	0.4-1.0 x (I <sub>n</sub> )
Long Delay Time I <sup>2</sup> T	12 Seconds	12 Seconds	2-24 Seconds	2-24 Seconds	2-24 Seconds	2-24 Seconds	2-24 Seconds	2-24 Seconds
Long Delay Time I <sup>4</sup> T	No	No	No	No	1-5 Seconds	No	No	1-5 Seconds
Long Delay Thermal Memory	Yes	Yes	Yes	Yes	Yes	Yes	Yes	Yes
High Load Alarm	No	No	No	0.85 x I <sub>r</sub>	0.5-1.0 x I <sub>r</sub>	0.85 x I <sub>r</sub>	0.85 x I <sub>r</sub>	0.5-1.0 x I <sub>r</sub>
<b>Short Delay Protection (S)</b>								
Short Delay Pickup	200-800% x (I <sub>n</sub> ) <sup>②</sup>	200-800% x (I <sub>n</sub> ) <sup>②</sup>	200-600% S1&S2 x (I <sub>r</sub> )	200-600% S1&S2 x (I <sub>r</sub> )	150-800% x (I <sub>n</sub> ) <sup>③</sup>	200-600% S1&S2 x (I <sub>r</sub> )	200-600% S1&S2 x (I <sub>r</sub> )	150-800% x (I <sub>n</sub> ) <sup>③</sup>
Short Delay Time I <sup>2</sup> T	100 ms	No	100-500 ms	100-500 ms	100-500 ms	100-500 ms	100-500 ms	100-500 ms
Short Delay Time Flat	No	Inst-300 ms	100-500 ms	100-500 ms	100-500 ms	100-500 ms	100-500 ms	100-500 ms
Short Delay Time Zone Selective Interlocking	No	No	Yes	Yes	Yes	Yes	Yes	Yes
<b>Instantaneous Protection (I)</b>								
Instantaneous Pick Up	No	200-800% x (I <sub>n</sub> )	200-600% M1&M2 x (I <sub>n</sub> )	200-600% M1&M2 x (I <sub>n</sub> )	200-800% x (I <sub>n</sub> ) <sup>③</sup>	200-600% M1&M2 x (I <sub>n</sub> )	200-600% M1&M2 x (I <sub>n</sub> )	200-800% x (I <sub>n</sub> ) <sup>③</sup>
Discriminator	No	No	Yes <sup>④</sup>	Yes <sup>④</sup>	Yes	Yes <sup>④</sup>	Yes <sup>④</sup>	Yes
Instantaneous Override	Yes	Yes	Yes	Yes	Yes	Yes	Yes	Yes
<b>Ground Fault Protection (G)</b>								
Ground Fault Alarm <sup>⑤</sup>	No	No	No	No	25-100% x (I <sub>n</sub> )	No	No	25-100% x (I <sub>n</sub> )
Ground Fault Pick Up <sup>⑤</sup>	Varies by Frame	Varies by Frame	25-100% x (I <sub>s</sub> )	25-100% x (I <sub>s</sub> )	25-100% x (I <sub>n</sub> )	25-100% x (I <sub>s</sub> )	25-100% x (I <sub>s</sub> )	25-100% x (I <sub>n</sub> )
Ground Fault Delay I <sup>2</sup> T	No	No	100-500 ms	100-500 ms	100-500 ms	100-500 ms	100-500 ms	100-500 ms
Ground Fault Delay Flat	Inst-500 ms	Inst-500 ms	100-500 ms	100-500 ms	100-500 ms	100-500 ms	100-500 ms	100-500 ms
Ground Fault Zone Selective Interlocking	No	No	Yes	Yes	Yes	Yes	Yes	Yes
Ground Fault Thermal Memory	Yes	Yes	Yes	Yes	Yes	Yes	Yes	Yes
<b>System Diagnostics</b>								
Status LEDs	Yes	Yes	Yes	Yes	Yes	Yes	Yes	Yes
Cause of Trip LEDs	No	No	Yes	Yes	Yes	Yes	Yes	Yes
Magnitude of Trip Information	No	No	No	Yes	Yes	Yes	Yes	Yes
Remote Signal Contacts	Yes	Yes	No	Yes	Yes	Yes	Yes	Yes
<b>System Monitoring</b>								
Digital Display	No	No	No	Yes	Yes <sup>⑥</sup>	Yes	Yes	Yes <sup>⑥</sup>
Current	No	No	No	Yes	Yes	Yes	Yes	Yes
Voltage	No	No	No	No	No	No	Yes	No
Power and Energy	No	No	No	No	No	Yes	Yes	Yes
Power Quality-Harmonics	No	No	No	No	No	No	Yes	Yes
Power Factor	No	No	No	No	No	Yes (Over Cutler-Hammer Power-Net Only)	Yes	Yes
<b>Communications</b>								
Cutler-Hammer PowerNet	No	No	No	No	Yes	Yes	Yes	Yes
<b>Testing</b>								
Testing Method	Test Set		Integral	Integral	OPTIMizer, BIM, Cutler-Hammer PowerNet	Integral	Integral	OPTIMizer, BIM, Cutler-Hammer PowerNet

① Adjust by rating plug.

② Except 2500 ampere frame is 200-600%.

③ Varies by frame.

④ LS/LSG only.

⑤ Not to exceed 1200 amperes.

⑥ By OPTIMizer/BIM.

BIM = Breaker Interface Module

(A) = GF Alarm

I<sub>s</sub> = Sensor RatingI<sub>n</sub> = Rating PlugI<sub>r</sub> = Long Delay Pickup Setting x I<sub>n</sub>

Series C® R-Frame

**Digitrip RMS 310 Electronic Circuit Breakers with Interchangeable Rating Plugs**

Order as individual components: Breaker Frame (which includes Trip Unit) and Rating Plug.

Maximum Continuous Ampere Rating @ 40°C	Circuit Breaker Frame Only				Digitrip RMS 310 Rating Plug Only		
	L – Adjustable Long Delay Pickup (By Adjustable Rating Plug) S – Adjustable Short Delay Pickup with Fixed Short Delay Time (I <sup>2</sup> t Response) or Adjustable Short Delay Time (Flat Response) I – Adjustable Instantaneous Pickup by Setting Short Delay Time to Instantaneous G – Adjustable Ground Fault Pickup with Adjustable Ground Fault Time (Flat Response)				Ampere Rating	Fixed Rating Plug	Adjustable Rating Plug
	LS                      LSI                      LSG <sup>③</sup> LSIG <sup>③</sup>						Adjustable Ampere Ratings Catalog Number
Catalog Number							

**3-Pole Standard Interrupting Capacity 600 Volt Ac Rated 65 kAIC @ 480 Vac**

Rating	RD316T33W	RD316T32W	RD316T35W	RD316T36W	Ampere Rating	Rating Plug	Adjustable Settings are:
1600 <sup>①</sup>					800 1000 1200 1250 1400 1500 1600	16RES08T 16RES10T 16RES12T 16RES125T 16RES14T 16RES15T 16RES16T	800, 1000, 1200, 1600 <b>A16RES16T1</b>
2000					1000 1200 1250 1400 1600 2000	20RES10T 20RES12T 20RES125T 20RES14T 20RES16T 20RES20T	1000, 1200, 1600, 2000 <b>A20RES20T1</b>
2500					1200 1250 1600 2000 2500	25RES12T 25RES125T 25RES16T 25RES20T 25RES25T	1200, 1600, 2000, 2500 <b>A25RES25T1</b>

**4-Pole<sup>②</sup> Standard Interrupting Capacity 600 Volt Ac Rated 65 kAIC @ 480 Vac**

Rating	RD416T33W	RD416T32W	–	–	Ampere Rating	Rating Plug	Adjustable Settings are:
1600 <sup>①</sup>					800 1000 1200 1250 1400 1500 1600	16RES08T 16RES10T 16RES12T 16RES125T 16RES14T 16RES15T 16RES16T	800, 1000, 1200, 1600 <b>A16RES16T1</b>
2000					1000 1200 1250 1400 1600 2000	20RES10T 20RES12T 20RES125T 20RES14T 20RES16T 20RES20T	1000, 1200, 1600, 2000 <b>A20RES20T1</b>
2500					1200 1250 1600 2000 2500	25RES12T 25RES125T 25RES16T 25RES20T 25RES25T	1200, 1600, 2000, 2500 <b>A25RES25T1</b>

Instruction Leaflet/FRED Number 29C107 for Breaker; Number 29C883 for Digitrip 310 Trip Unit

- ① For SCR application use 2000 ampere frame.
- ② Unprotected right pole neutral. Add "P" to catalog number for 100% protected right pole neutral, i.e., "RD416T33PW".
- ③ Add suffix "R" to breaker catalog number for ground fault remote indication compatibility.



## Series C® L-Frame

### Digitrip RMS 310 Electronic Circuit Breakers with Interchangeable Rating Plugs

Order as individual components: Breaker Frame (which includes Trip Unit) and Rating Plug.

Maximum Continuous Ampere Rating @ 40°C	Circuit Breaker Frame Only				Digitrip RMS 310 Rating Plug Only		
	L – Adjustable Long Delay Pickup (By Adjustable Rating Plug) S – Adjustable Short Delay Pickup with Fixed Short Delay Time (I <sup>2</sup> t Response) or Adjustable Short Delay Time (Flat Response) I – Adjustable Instantaneous Pickup by Setting Short Delay Time to Instantaneous G – Adjustable Ground Fault Pickup with Adjustable Ground Fault Time (Flat Response)				Ampere Rating	Fixed Rating Plug	Adjustable Rating Plug
	Adjustable Ampere Ratings Catalog Number						
	LS	LSI	LSG <sup>③</sup>	LSIG <sup>③</sup>			
Catalog Number							

#### 3-Pole High Interrupting Capacity 600 Volt Ac Rated 100 kAIC @ 480 Vac

Maximum Continuous Ampere Rating	RDC316T33W	RDC316T32W	RDC316T35W	RDC316T36W	Ampere Rating	Fixed Rating Plug	Adjustable Rating Plug
1600 <sup>①</sup>					800 1000 1200 1250 1400 1500 1600	16RES08T 16RES10T 16RES12T 16RES125T 16RES14T 16RES15T 16RES16T	Adjustable Settings are: 800, 1000, 1200, 1600 A16RES16T1
2000					1000 1200 1250 1400 1600 2000	20RES10T 20RES12T 20RES125T 20RES14T 20RES16T 20RES20T	Adjustable Settings are: 1000, 1200, 1600, 2000 A20RES20T1
2500					1200 1250 1600 2000 2500	25RES12T 25RES125T 25RES16T 25RES20T 25RES25T	Adjustable Settings are: 1200, 1600, 2000, 2500 A25RES25T1

#### 4-Pole<sup>②</sup> High Interrupting Capacity 600 Volt Ac Rated 100 kAIC @ 480 Vac

Maximum Continuous Ampere Rating	RDC416T33W	RDC416T32W	–	–	Ampere Rating	Fixed Rating Plug	Adjustable Rating Plug
1600 <sup>①</sup>					800 1000 1200 1250 1400 1500 1600	16RES08T 16RES10T 16RES12T 16RES125T 16RES14T 16RES15T 16RES16T	Adjustable Settings are: 800, 1000, 1200, 1600 A16RES16T1
2000					1000 1200 1250 1400 1600 2000	20RES10T 20RES12T 20RES125T 20RES14T 20RES16T 20RES20T	Adjustable Settings are: 1000, 1200, 1600, 2000 A20RES20T1
2500					1200 1250 1600 2000 2500	25RES12T 25RES125T 25RES16T 25RES20T 25RES25T	Adjustable Settings are: 1200, 1600, 2000, 2500 A25RES25T1

Instruction Leaflet/FRED Number 29C107 for Breaker; Number 29C883 for Digitrip 310 Trip Unit

① For SCR application use 2000 ampere frame.

② Unprotected right pole neutral. Add "P" to catalog number for 100% protected right pole neutral, i.e., "RDC416T33PW".

③ Add suffix "R" to breaker catalog number for ground fault remote indication compatibility.

Series C® R-Frame

100% Rated Digitrip RMS 310 Electronic Circuit Breakers①

The NEC allows the breaker to be rated at 100% of its frame size in an assembly, provided that 90°C wire is applied at 75°C ampacity. Order as individual components: Breaker Frame (which includes Trip Unit) and Rating Plug.

Maximum Continuous Ampere Rating @ 40°C	Circuit Breaker Frame Only				Digitrip RMS 310 Rating Plug Only		
	L – Adjustable Long Delay Pickup (By Adjustable Rating Plug) S – Adjustable Short Delay Pickup with Fixed Short Delay Time (I <sup>2</sup> t Response) or Adjustable Short Delay Time (Flat Response) I – Adjustable Instantaneous Pickup by Setting Short Delay Time to Instantaneous G – Adjustable Ground Fault Pickup with Adjustable Ground Fault Time (Flat Response)				Ampere Rating	Fixed Rating Plug	Adjustable Rating Plug
	LS                      LSI                      LSG③                      LSIG③						Adjustable Ampere Ratings Catalog Number
	Catalog Number						

3-Pole Standard Interrupting Capacity 600 Volt Ac Rated 65 kAIC @ 480 Vac

Rating	CRD316T33W	CRD316T32W	CRD316T35W	CRD316T36W	Ampere Rating	Fixed Rating Plug	Adjustable Settings are:
1600②					800 1000 1200 1250 1400 1500 1600	16RES08T 16RES10T 16RES12T 16RES125T 16RES14T 16RES15T 16RES16T	800, 1000, 1200, 1600 A16RES16T1
2000					1000 1200 1250 1400 1600 2000	20RES10T 20RES12T 20RES125T 20RES14T 20RES16T 20RES20T	1000, 1200, 1600, 2000 A20RES20T1

3-Pole High Interrupting Capacity 600 Volt Ac Rated 100 kAIC @ 480 Vac

Rating	CRDC316T33W	CRDC316T32W	CRDC316T35W	CRDC316T36W	Ampere Rating	Fixed Rating Plug	Adjustable Settings are:
1600①②					800 1000 1200 1250 1400 1500 1600	16RES08T 16RES10T 16RES12T 16RES125T 16RES14T 16RES15T 16RES16T	800, 1000, 1200, 1600 A16RES16T1
2000					1000 1200 1250 1400 1600 2000	20RES10T 20RES12T 20RES125T 20RES14T 20RES16T 20RES20T	1000, 1200, 1600, 2000 A20RES20T1

Instruction Leaflet/FRED Number 29C107 for Breaker; Number 29C883 for Digitrip 310 Trip Unit

① Includes B2016RDL rear connections. Refer to TD.29.02.T.E for dimensions.  
 ② For SCR application use 2000 ampere frame.  
 ③ Add suffix "R" to breaker catalog number for ground fault remote indication compatibility.

## Series C® R-Frame

### Digitrip RMS 510 Electronic Circuit Breakers with Interchangeable Rating Plugs

Order as individual components: Breaker Frame (which includes Trip Unit) and Rating Plug.

Maximum Continuous Ampere Rating @ 40°C	Circuit Breaker Frame Only						Digitrip Rating Plug Only	
	L – Adjustable Long Delay Pickup ( $I_L$ ) with Adjustable Long Delay Time S – Adjustable Short Delay Pickup with Adjustable Short Delay Time ( $I^2t$ or Flat Response) I – Adjustable Instantaneous Pickup G – Adjustable Ground Fault Pickup with Adjustable Ground Fault Time Delay ( $I^2t$ or Flat Response)						Fixed Rating Plug	
							Rated Current ( $I_n$ )	Catalog Number
	LI	LS	LSI	LIG	LSG	LSIG		
	Catalog Number							

#### 3-Pole Standard Interrupting Capacity 600 Volt Ac Rated 65 kAIC @ 480 Vac

Rating	LI	LS	LSI	LIG	LSG	LSIG	Rated Current ( $I_n$ )	Catalog Number
1600	RD316T51W	RD316T53W	RD316T52W	RD316T54W	RD316T55W	RD316T56W	800 1000 1200 1600	RP6R16A080 RP6R16A100 RP6R16A120 RP6R16A160
2000	RD320T51W	RD320T53W	RD320T52W	RD320T54W	RD320T55W	RD320T56W	1000 1200 1600 2000	RP6R20A100 RP6R20A120 RP6R20A160 RP6R20A200
2500	RD325T51W	RD325T53W	RD325T52W	RD325T54W	RD325T55W	RD325T56W	1600 2000 2500	RP6R25A160 RP6R25A200 RP6R25A250

#### 3-Pole High Interrupting Capacity 600 Volt Ac Rated 100 kAIC @ 480 Vac

Rating	LI	LS	LSI	LIG	LSG	LSIG	Rated Current ( $I_n$ )	Catalog Number
1600	RDC316T51W	RDC316T53W	RDC316T52W	RDC316T54W	RDC316T55W	RDC316T56W	800 1000 1200 1600	RP6R16A080 RP6R16A100 RP6R16A120 RP6R16A160
2000	RDC320T51W	RDC320T53W	RDC320T52W	RDC320T54W	RDC320T55W	RDC320T56W	1000 1200 1600 2000	RP6R20A100 RP6R20A120 RP6R20A160 RP6R20A200
2500	RDC325T51W	RDC325T53W	RDC325T52W	RDC325T54W	RDC325T55W	RDC325T56W	1600 2000 2500	RP6R25A160 RP6R25A200 RP6R25A250

Instruction Leaflet/FRED Number 29C107 for Breaker; Number 29C885 for Digitrip 510 Trip Unit

Series C® R-Frame

100% Rated Digitrip RMS 510 Circuit Breakers

The NEC allows the breaker to be rated at 100% of its frame size in an assembly, provided that 90°C wire is applied at 75°C ampacity. Order as individual components: Breaker Frame (which includes Trip Unit) and Rating Plug.

Maximum Continuous Ampere Rating @ 40°C	Circuit Breaker Frame Only						Digitrip Rating Plug Only	
	L – Adjustable Long Delay Pickup (I <sub>1</sub> ) with Adjustable Long Delay Time						Fixed Rating Plug	
	S – Adjustable Short Delay Pickup with Adjustable Short Delay Time (I <sup>2</sup> t or Flat Response)						Rated Current (I <sub>n</sub> )	Catalog Number
	I – Adjustable Instantaneous Pickup							
G – Adjustable Ground Fault Pickup with Adjustable Ground Fault Time Delay (I <sup>2</sup> t or Flat Response)								
	LI	LS	LSI	LIG	LSG	LSIG		
	Catalog Number							

3-Pole Standard Interrupting Capacity 600 Volt Ac Rated 65 kAIC @ 480 Vac

1600	CRD316T51W	CRD316T53W	CRD316T52W	CRD316T54W	CRD316T55W	CRD316T56W	800 1000 1200 1600	RP6R16A080 RP6R16A100 RP6R16A120 RP6R16A160
2000	CRD320T51W	CRD320T53W	CRD320T52W	CRD320T54W	CRD320T55W	CRD320T56W	1000 1200 1600 2000	RP6R20A100 RP6R20A120 RP6R20A160 RP6R20A200

3-Pole High Interrupting Capacity 600 Volt Ac Rated 100 kAIC @ 480 Vac

1600	CRDC316T51W	CRDC316T53W	CRDC316T52W	CRDC316T54W	CRDC316T55W	CRDC316T56W	800 1000 1200 1600	RP6R16A080 RP6R16A100 RP6R16A120 RP6R16A160
2000	CRDC320T51W	CRDC320T53W	CRDC320T52W	CRDC320T54W	CRDC320T55W	CRDC320T56W	1000 1200 1600 2000	RP6R20A100 RP6R20A120 RP6R20A160 RP6R20A200

Instruction Leaflet/FRED Number 29C107 for Breaker; Number 29885 for Digitrip 510 Trip Unit

## Series C® R-Frame

### Digitrip RMS 610 Electronic Circuit Breakers with Interchangeable Rating Plugs

Order as individual components: Breaker Frame (which includes Trip Unit) and Rating Plug.

Maximum Continuous Ampere Rating @ 40°C	Circuit Breaker Frame Only						Digitrip Rating Plug Only	
	L – Adjustable Long Delay Pickup ( $I_L$ ) with Adjustable Long Delay Time S – Adjustable Short Delay Pickup with Adjustable Short Delay Time ( $I^2t$ or Flat Response) I – Adjustable Instantaneous Pickup G – Adjustable Ground Fault Pickup with Adjustable Ground Fault Time Delay ( $I^2t$ or Flat Response)						Fixed Rating Plug	
	LI	LS	LSI	LIG	LSG	LSIG	Rated Current ( $I_n$ )	Catalog Number
	Catalog Number							

#### 3-Pole Standard Interrupting Capacity 600 Volt Ac Rated 65 kAIC @ 480 Vac

Rating	LI	LS	LSI	LIG	LSG	LSIG	Rated Current ( $I_n$ )	Catalog Number
1600	RD316T61W	RD316T63W	RD316T62W	RD316T64W	RD316T65W	RD316T66W	800 1000 1200 1600	RP6R16A080 RP6R16A100 RP6R16A120 RP6R16A160
2000	RD320T61W	RD320T63W	RD320T62W	RD320T64W	RD320T65W	RD320T66W	1000 1200 1600 2000	RP6R20A100 RP6R20A120 RP6R20A160 RP6R20A200
2500	RD325T61W	RD325T63W	RD325T62W	RD325T64W	RD325T65W	RD325T66W	1600 2000 2500	RP6R25A160 RP6R25A200 RP6R25A250

#### 3-Pole High Interrupting Capacity 600 Volt Ac Rated 100 kAIC @ 480 Vac

Rating	LI	LS	LSI	LIG	LSG	LSIG	Rated Current ( $I_n$ )	Catalog Number
1600	RDC316T61W	RDC316T63W	RDC316T62W	RDC316T64W	RDC316T65W	RDC316T66W	800 1000 1200 1600	RP6R16A080 RP6R16A100 RP6R16A120 RP6R16A160
2000	RDC320T61W	RDC320T63W	RDC320T62W	RDC320T64W	RDC320T65W	RDC320T66W	1000 1200 1600 2000	RP6R20A100 RP6R20A120 RP6R20A160 RP6R20A200
2500	RDC325T61W	RDC325T63W	RDC325T62W	RDC325T64W	RDC325T65W	RDC325T66W	1600 2000 2500	RP6R25A160 RP6R25A200 RP6R25A250

Instruction Leaflet/FRED Number 29C107 for Breaker; Number 29886 for Digitrip 610 Trip Unit

Series C® R-Frame

100% Rated Digitrip RMS 610 Circuit Breakers

The NEC allows the breaker to be rated at 100% of its frame size in an assembly, provided that 90°C wire is applied at 75°C ampacity. Order as individual components: Breaker Frame (which includes Trip Unit) and Rating Plug.

Maximum Continuous Ampere Rating @ 40°C	Circuit Breaker Frame Only						Digitrip Rating Plug Only	
	L – Adjustable Long Delay Pickup (I <sub>L</sub> ) with Adjustable Long Delay Time						Fixed Rating Plug	
	S – Adjustable Short Delay Pickup with Adjustable Short Delay Time (I <sup>2</sup> t or Flat Response)						Rated Current (I <sub>n</sub> )	Catalog Number
	I – Adjustable Instantaneous Pickup							
G – Adjustable Ground Fault Pickup with Adjustable Ground Fault Time Delay (I <sup>2</sup> t or Flat Response)								
	LI	LS	LSI	LIG	LSG	LSIG		
	Catalog Number							

3-Pole Standard Interrupting Capacity 600 Volt Ac Rated 65 kAIC @ 480 Vac

1600	CRD316T61W	CRD316T63W	CRD316T62W	CRD316T64W	CRD316T65W	CRD316T66W	800 1000 1200 1600	RP6R16A080 RP6R16A100 RP6R16A120 RP6R16A160
2000	CRD320T61W	CRD320T63W	CRD320T62W	CRD320T64W	CRD320T65W	CRD320T66W	1000 1200 1600 2000	RP6R20A100 RP6R20A120 RP6R20A160 RP6R20A200

3-Pole High Interrupting Capacity 600 Volt Ac Rated 100 kAIC @ 480 Vac

1600	CRDC316T61W	CRDC316T63W	CRDC316T62W	CRDC316T64W	CRDC316T65W	CRDC316T66W	800 1000 1200 1600	RP6R16A080 RP6R16A100 RP6R16A120 RP6R16A160
2000	CRDC320T61W	CRDC320T63W	CRDC320T62W	CRDC320T64W	CRDC320T65W	CRDC320T66W	1000 1200 1600 2000	RP6R20A100 RP6R20A120 RP6R20A160 RP6R20A200

Instruction Leaflet/FRED Number 29C107 for Breaker; Number 29886 for Digitrip 610 Trip Unit

## Series C® R-Frame

### Digitrip RMS 810 Electronic Circuit Breakers with Interchangeable Rating Plugs

Order as individual components: Breaker Frame (which includes Trip Unit) and Rating Plug.

Maximum Continuous Ampere Rating @ 40°C	Circuit Breaker Frame Only						Digitrip Rating Plug Only	
	L – Adjustable Long Delay Pickup ( $I_n$ ) with Adjustable Long Delay Time S – Adjustable Short Delay Pickup with Adjustable Short Delay Time ( $I^2t$ or Flat Response) I – Adjustable Instantaneous Pickup G – Adjustable Ground Fault Pickup with Adjustable Ground Fault Time Delay ( $I^2t$ or Flat Response)						Fixed Rating Plug	
							Rated Current ( $I_n$ )	Catalog Number
	LI	LS	LSI	LIG	LSG	LSIG		
	Catalog Number							

#### 3-Pole Standard Interrupting Capacity 600 Volt Ac Rated 65 kAIC @ 480 Vac

Rating	LI	LS	LSI	LIG	LSG	LSIG	Rated Current ( $I_n$ )	Catalog Number
1600	RD316T81W	RD316T83W	RD316T82W	RD316T84W	RD316T85W	RD316T86W	800 1000 1200 1600	RP6R16A080 RP6R16A100 RP6R16A120 RP6R16A160
2000	RD320T81W	RD320T83W	RD320T82W	RD320T84W	RD320T85W	RD320T86W	1000 1200 1600 2000	RP6R20A100 RP6R20A120 RP6R20A160 RP6R20A200
2500	RD325T81W	RD325T83W	RD325T82W	RD325T84W	RD325T85W	RD325T86W	1600 2000 2500	RP6R25A160 RP6R25A200 RP6R25A250

#### 3-Pole High Interrupting Capacity 600 Volt Ac Rated 100 kAIC @ 480 Vac

Rating	LI	LS	LSI	LIG	LSG	LSIG	Rated Current ( $I_n$ )	Catalog Number
1600	RDC316T81W	RDC316T83W	RDC316T82W	RDC316T84W	RDC316T85W	RDC316T86W	800 1000 1200 1600	RP6R16A080 RP6R16A100 RP6R16A120 RP6R16A160
2000	RDC320T81W	RDC320T83W	RDC320T82W	RDC320T84W	RDC320T85W	RDC320T86W	1000 1200 1600 2000	RP6R20A100 RP6R20A120 RP6R20A160 RP6R20A200
2500	RDC325T81W	RDC325T83W	RDC325T82W	RDC325T84W	RDC325T85W	RDC325T86W	1600 2000 2500	RP6R25A160 RP6R25A200 RP6R25A250

Instruction Leaflet/FRED Number 29C107 for Breaker; Number 29888 for Digitrip 810 Trip Unit

**Series C® R-Frame**

**100% Rated Digitrip RMS 810 Circuit Breakers**

The NEC allows the breaker to be rated at 100% of its frame size in an assembly, provided that 90°C wire is applied at 75°C ampacity. Order as individual components: Breaker Frame (which includes Trip Unit) and Rating Plug.

<b>Maximum Continuous Ampere Rating @ 40°C</b>	<b>Circuit Breaker Frame Only</b>						<b>Digitrip Rating Plug Only</b>	
	L – Adjustable Long Delay Pickup ( $I_L$ ) with Adjustable Long Delay Time						<b>Fixed Rating Plug</b>	
	S – Adjustable Short Delay Pickup with Adjustable Short Delay Time ( $I^2t$ or Flat Response)							
	I – Adjustable Instantaneous Pickup						<b>Rated Current (<math>I_n</math>)</b>	<b>Catalog Number</b>
G – Adjustable Ground Fault Pickup with Adjustable Ground Fault Time Delay ( $I^2t$ or Flat Response)								
	LI	LS	LSI	LIG	LSG	LSIG		
	Catalog Number							

**3-Pole Standard Interrupting Capacity 600 Volt Ac Rated 65 kAIC @ 480 Vac**

1600	CRD316T81W	CRD316T83W	CRD316T82W	CRD316T84W	CRD316T85W	CRD316T86W	800 1000 1200 1600	RP6R16A080 RP6R16A100 RP6R16A120 RP6R16A160
2000	CRD320T81W	CRD320T83W	CRD320T82W	CRD320T84W	CRD320T85W	CRD320T86W	1000 1200 1600 2000	RP6R20A100 RP6R20A120 RP6R20A160 RP6R20A200

**3-Pole High Interrupting Capacity 600 Volt Ac Rated 100 kAIC @ 480 Vac**

1600	CRDC316T81W	CRDC316T83W	CRDC316T82W	CRDC316T84W	CRDC316T85W	CRDC316T86W	800 1000 1200 1600	RP6R16A080 RP6R16A100 RP6R16A120 RP6R16A160
2000	CRDC320T81W	CRDC320T83W	CRDC320T82W	CRDC320T84W	CRDC320T85W	CRDC320T86W	1000 1200 1600 2000	RP6R20A100 RP6R20A120 RP6R20A160 RP6R20A200

Instruction Leaflet/FRED Number 29C107 for Breaker; Number 29888 for Digitrip 810 Trip Unit



## Series C® R-Frame

### Digitrip RMS 910 Electronic Circuit Breakers with Interchangeable Rating Plugs

Order as individual components: Breaker Frame (which includes Trip Unit) and Rating Plug.

Maximum Continuous Ampere Rating @ 40°C	Circuit Breaker Frame Only						Digitrip Rating Plug Only	
	L – Adjustable Long Delay Pickup ( $I_t$ ) with Adjustable Long Delay Time S – Adjustable Short Delay Pickup with Adjustable Short Delay Time ( $I^2t$ or Flat Response) I – Adjustable Instantaneous Pickup G – Adjustable Ground Fault Pickup with Adjustable Ground Fault Time Delay ( $I^2t$ or Flat Response)						Fixed Rating Plug	
	LI	LS	LSI	LIG	LSG	LSIG	Rated Current ( $I_n$ )	Catalog Number
	Catalog Number							

#### 3-Pole Standard Interrupting Capacity 600 Volt Ac Rated 65 kAIC @ 480 Vac

Rating	LI	LS	LSI	LIG	LSG	LSIG	Rated Current ( $I_n$ )	Catalog Number
1600	RD316T91W	RD316T93W	RD316T92W	RD316T94W	RD316T95W	RD316T96W	800 1000 1200 1600	RP6R16A080 RP6R16A100 RP6R16A120 RP6R16A160
2000	RD320T91W	RD320T93W	RD320T92W	RD320T94W	RD320T95W	RD320T96W	1000 1200 1600 2000	RP6R20A100 RP6R20A120 RP6R20A160 RP6R20A200
2500	RD325T91W	RD325T93W	RD325T92W	RD325T94W	RD325T95W	RD325T96W	1600 2000 2500	RP6R25A160 RP6R25A200 RP6R25A250

#### 3-Pole High Interrupting Capacity 600 Volt Ac Rated 100 kAIC @ 480 Vac

Rating	RDC316T91W	RDC316T93W	RDC316T92W	RDC316T94W	RDC316T95W	RDC316T96W	Rated Current ( $I_n$ )	Catalog Number
1600	RDC316T91W	RDC316T93W	RDC316T92W	RDC316T94W	RDC316T95W	RDC316T96W	800 1000 1200 1600	RP6R16A080 RP6R16A100 RP6R16A120 RP6R16A160
2000	RDC320T91W	RDC320T93W	RDC320T92W	RDC320T94W	RDC320T95W	RDC320T96W	1000 1200 1600 2000	RP6R20A100 RP6R20A120 RP6R20A160 RP6R20A200
2500	RDC325T91W	RDC325T93W	RDC325T92W	RDC325T94W	RDC325T95W	RDC325T96W	1600 2000 2500	RP6R25A160 RP6R25A200 RP6R25A250

Instruction Leaflet/FRED Number 29C107 for Breaker; Number 29889 for Digitrip 910 Trip Unit

Series C® R-Frame

100% Rated Digitrip RMS 910 Circuit Breakers

The NEC allows the breaker to be rated at 100% of its frame size in an assembly, provided that 90°C wire is applied at 75°C ampacity. Order as individual components: Breaker Frame (which includes Trip Unit) and Rating Plug.

Maximum Continuous Ampere Rating @ 40°C	Circuit Breaker Frame Only						Digitrip Rating Plug Only	
	L – Adjustable Long Delay Pickup (I <sub>l</sub> ) with Adjustable Long Delay Time						Fixed Rating Plug	
	S – Adjustable Short Delay Pickup with Adjustable Short Delay Time (I <sup>2</sup> t or Flat Response)						Rated Current (I <sub>n</sub> )	Catalog Number
	I – Adjustable Instantaneous Pickup							
G – Adjustable Ground Fault Pickup with Adjustable Ground Fault Time Delay (I <sup>2</sup> t or Flat Response)								
	LI	LS	LSI	LIG	LSG	LSIG		
	Catalog Number							

3-Pole Standard Interrupting Capacity 600 Volt Ac Rated 65 kAIC @ 480 Vac

1600	CRD316T91W	CRD316T93W	CRD316T92W	CRD316T94W	CRD316T95W	CRD316T96W	800 1000 1200 1600	RP6R16A080 RP6R16A100 RP6R16A120 RP6R16A160
2000	CRD320T91W	CRD320T93W	CRD320T92W	CRD320T94W	CRD320T95W	CRD320T96W	1000 1200 1600 2000	RP6R20A100 RP6R20A120 RP6R20A160 RP6R20A200

3-Pole High Interrupting Capacity 600 Volt Ac Rated 100 kAIC @ 480 Vac

1600	CRDC316T91W	CRDC316T93W	CRDC316T92W	CRDC316T94W	CRDC316T95W	CRDC316T96W	800 1000 1200 1600	RP6R16A080 RP6R16A100 RP6R16A120 RP6R16A160
2000	CRDC320T91W	CRDC320T93W	CRDC320T92W	CRDC320T94W	CRDC320T95W	CRDC320T96W	1000 1200 1600 2000	RP6R20A100 RP6R20A120 RP6R20A160 RP6R20A200

Instruction Leaflet/FRED Number 29C107 for Breaker; Number 29889 for Digitrip 910 Trip Unit

**Series C® R-Frame**

**Digitrip OPTIM Electronic Circuit Breakers with Interchangeable Rating Plugs**

Order as individual components: Breaker Frame (which includes Trip Unit) and Rating Plug.

Maximum Continuous Ampere Rating @ 40°C	Circuit Breaker Frame Only				Digitrip OPTIM Rating Plug Only	
	L – Adjustable Long Delay Pickup (I <sub>1</sub> ) with Adjustable Long Delay Time S – Adjustable Short Delay Pickup with Adjustable Short Delay Time (I <sup>2</sup> t or Flat Response) I – Adjustable Instantaneous Pickup G – Adjustable Ground Fault Pickup with Adjustable Ground Fault Time Delay (I <sup>2</sup> t or Flat Response) A – Adjustable Ground Fault Alarm with Adjustable Ground Fault Time Delay (I <sup>2</sup> t or Flat Response)				Fixed Rating Plug	
					Ampere Rating	Catalog Number
	LSIA 750	LSIG 750	LSIA 1050	LSIG 1050		
Catalog Number						

**3-Pole Standard Interrupting Capacity 600 Volt Ac Rated 65 kAIC @ 480 Vac**

1600	RD316T77W	RD316T76W	RD316T107W	RD316T106W	800 1000 1200 1600	ORPR16A080 ORPR16A100 ORPR16A120 ORPR16A160
2000	RD320T77W	RD320T76W	RD320T107W	RD320T106W	1000 1200 1600 2000	ORPR20A100 ORPR20A120 ORPR20A160 ORPR20A200
2500	RD325T77W	RD325T76W	RD325T107W	RD325T106W	1600 2000 2500	ORPR25A160 ORPR25A200 ORPR25A250

**3-Pole High Interrupting Capacity 600 Volt Ac Rated 100 kAIC @ 480 Vac**

1600	RDC316T77W	RDC316T76W	RDC316T107W	RDC316T106W	800 1000 1200 1600	ORPR16A080 ORPR16A100 ORPR16A120 ORPR16A160
2000	RDC320T77W	RDC320T76W	RDC320T107W	RDC320T106W	1000 1200 1600 2000	ORPR20A100 ORPR20A120 ORPR20A160 ORPR20A200
2500	RDC325T77W	RDC325T76W	RDC325T107W	RDC325T106W	1600 2000 2500	ORPR25A160 ORPR25A200 ORPR25A250

Instruction Leaflet/FRED Number 29C107 for Breaker; Number 29C891 for OPTIM Trip Unit

Series C® R-Frame

**100% Rated 600 Volt AC Digitrip OPTIM Circuit Breakers with Interchangeable Rating Plugs**

Order as individual components: Breaker Frame (which includes Trip Unit) and Rating Plug.

Maximum Continuous Ampere Rating @ 40°C	Circuit Breaker Frame Only				Digitrip OPTIM Rating Plug Only	
	L – Adjustable Long Delay Pickup (I <sub>1</sub> ) with Adjustable Long Delay Time S – Adjustable Short Delay Pickup with Adjustable Short Delay Time (I <sup>2</sup> t or Flat Response) I – Adjustable Instantaneous Pickup G – Adjustable Ground Fault Pickup with Adjustable Ground Fault Time Delay (I <sup>2</sup> t or Flat Response) A – Adjustable Ground Fault Alarm with Adjustable Ground Fault Time Delay (I <sup>2</sup> t or Flat Response)				Fixed Rating Plug	
					Ampere Rating	Catalog Number
	LSIA 750	LSIG 750	LSIA 1050	LSIG 1050		

**3-Pole Standard Interrupting Capacity 600 Volt Ac Rated 65 kAIC @ 480 Vac**

1600	CRD316T77W	CRD316T76W	CRD316T107W	CRD316T106W	800 1000 1200 1600	ORPR16A080 ORPR16A100 ORPR16A120 ORPR16A160
2000	CRD320T77W	CRD320T76W	CRD320T107W	CRD320T106W	1000 1200 1600 2000	ORPR20A100 ORPR20A120 ORPR20A160 ORPR20A200

**3-Pole High Interrupting Capacity 600 Volt Ac Rated 100 kAIC @ 480 Vac**

1600	CRDC316T77W	CRDC316T76W	CRDC316T107W	CRDC316T106W	800 1000 1200 1600	ORPR16A080 ORPR16A100 ORPR16A120 ORPR16A160
2000	CRDC320T77W	CRDC320T76W	CRDC320T107W	CRDC320T106W	1000 1200 1600 2000	ORPR20A100 ORPR20A120 ORPR20A160 ORPR20A200

Instruction Leaflet/FRED Number 29C107 for Breaker; Number 29C891 for OPTIM Trip Unit

Series C® R-Frame

Molded Case Switches

For UL listed, series tested molded case switch application data, refer to Cutler-Hammer.

Continuous Ampere Rating @ 40°C	Complete without Terminals	
	3-Pole	4-Pole
1600	Type RD – High Instantaneous (K)	
	RD316WK	RD416WK
2000	Type RD – High Instantaneous (K)	
	RD320WK	RD420WK
2500	Type RD – High Instantaneous (K)	
	–	–

**Note:** Molded case switch may trip above 17500 amperes.

Instruction Leaflet/FRED Number 29C106 for Molded Case Switch

Line and Load Terminals

Line and load terminals provide wire connecting capabilities for specific ranges of continuous current ratings and wire types. All terminals comply with Underwriters Laboratories, Inc. Standards UL486A and UL486B and CSA C22.2 No. 65M. Unless otherwise specified, R-frame

circuit breaker line load terminals are shipped separately for field installation.

Ordering Information

R-frame circuit breakers have Cu/Al terminals as standard and Cu only terminals as an option. Specify if factory installation is required.

Line and Load Terminals

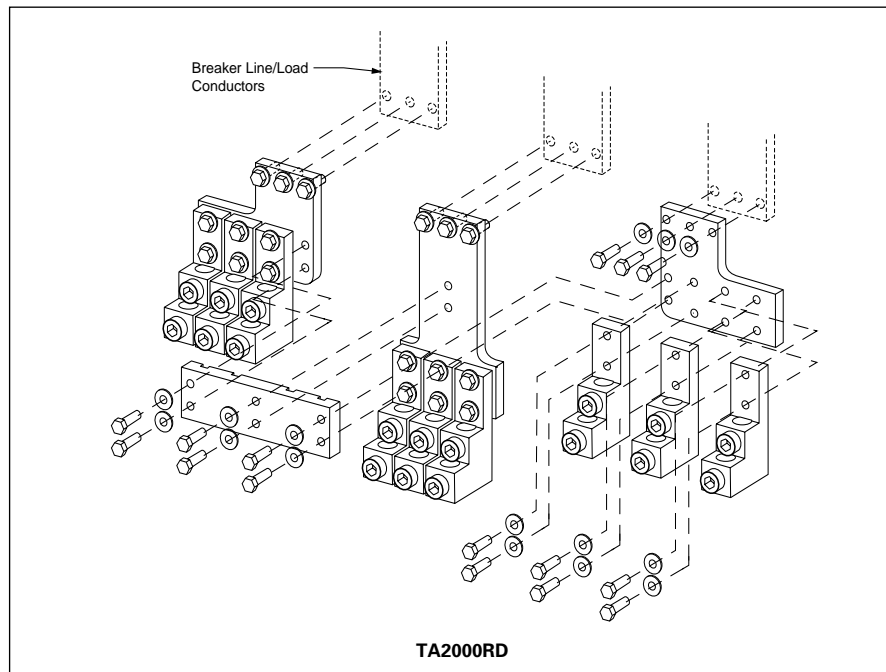
Maximum Breaker Amperes	Terminal Body Material	Wire Type	Hardware	AWG/kcmil Wire Range/No. Conductors	Metric Wire Range mm <sup>2</sup>	Catalog Number
-------------------------	------------------------	-----------	----------	-------------------------------------	-----------------------------------	----------------

Wire Terminals

1600	Aluminum	Cu/Al	English	500-1000 (4)	300-500	TA1600RD
1600	Copper	Cu	English	1-600 (4)	50-300	T1600RD
2000	Aluminum	Cu/Al	English	2-600 (6)	35-300	TA2000RD <sup>①</sup>

Rear Connectors

2000	Copper	–	English	–	–	B2016RD
2000	Copper	–	English	–	–	B2016RDL <sup>②</sup>
2500	Copper	–	English	–	–	B2500RD <sup>③</sup>



① Catalog number includes bus connection, terminals, and hardware for either line side or load side of 3-pole breaker.

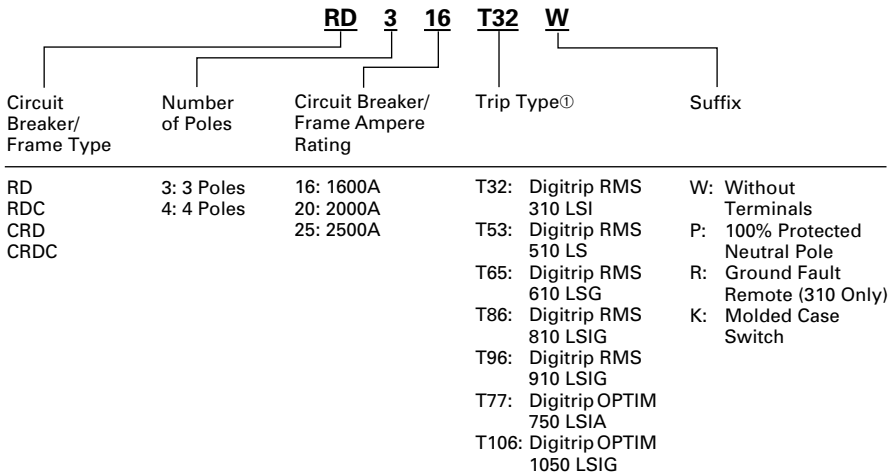
② For use with 100% rated 1600A and 2000A frame. Do not order separately unless for replacement purposes. Is included in breaker carton when 100% rated device is ordered.

③ For use with 2500-amp frame. Do not order separately unless for replacement purposes. Included in breaker carton when 2500A breaker is ordered.

### Catalog Numbering System

This information is presented only as an aid to understanding catalog numbers. It is not to be used to build catalog numbers for circuit breakers or trip units.

#### Circuit Breaker/Frame Catalog Number



### Dimensions/Weights

#### Dimensions, Inches (mm)

Number of Poles	Width	Height	Depth
3	15.5 (394)	16 (406)	9.75 (248)
4	20 (508)	16 (406)	9.75 (248)

#### Approximate Shipping Weight, Lbs. (kg)

Breaker Type	Complete Breaker	
	Number of Poles	
	3	4

#### 1600A

RD, CRD, RDC, CRDC	102 (46.266)	135 (61.235)
--------------------	--------------	--------------

#### 2000A

RD, RDC	102 (46.266)	135 (61.235)
CRD, CRDC	130 (58.967)	175 (79.378)

#### 2500A

RD, RDC	135 (61.235)	182 (82.553)
---------	--------------	--------------

① For complete list of available trip types refer to pages 91 through 103.

## Series C® R-Frame

## Allowable Accessory Combinations

Different combinations of accessories can be supplied, depending on the types of accessories and the number of poles in the circuit breaker.

	Reference Page	3-Pole			4-Pole			
		Left	Center	Right	Left	Center	Right	Neu.
<b>Internal Accessories</b>								
Alarm Lockout (Make/Break)	141			■			■	
Alarm Lockout (2Make/2Break)	141			■			■	
Auxiliary Switch (2A, 2B)	144			■			■	
Auxiliary Switch (4A, 4B)	144			■			■	
Shunt Trip – Standard	151			■			■	
Shunt Trip – Low Energy	152			■			■	
Undervoltage Release Mechanism	159			■			■	
Accessory Terminal Block <sup>②</sup>	160			■				■
<b>External Accessories</b>								
Base Mounting Hardware	163							
Padlockable Handle Lock Hasp	169		●			●		
Key Interlock Kit	170		■			■		
Walking Beam Interlock	171							
Electrical (Motor) Operator	173		■			■		
Drawout Cassette	164		●					
Handle Mechanisms	178		■			■		
Handle Extension <sup>①</sup>	182		■			■		
Solid-State (Electronic) Portable Test Kit (310 Only)	184		●			●		
<b>OPTIM System Components</b>								
Breaker Interface Module (BIM)	185		●					
Digitrip OPTIMizer	185		●					
Auxiliary Power Module	185		●					
Cutler-Hammer PowerNet Software	185		●					
<b>Modifications (Refer to Cutler-Hammer)</b>								
Special Calibration	186		●				●	
Moisture Fungus Treatment	186		●				●	
Freeze-Tested Circuit Breakers	186		●				●	
Marine Application	186		●				●	

■ Applicable in indicated pole position

● Accessory available/Modification available

① Included with breaker.

② Mounts outside breaker.



Series C Motor Circuit Protectors

**General Information**

Designated as the Cutler-Hammer Types GMCP, HMCP, the Series C instantaneous-only motor circuit protector (MCP) is available in ratings from 3A to 600A for motor starter sizes 0 through 6. The MCP is designed to comply with the applicable requirements of Underwriters Laboratories, Inc. Standard UL489, Canadian Standards Association Standard C22.2 No. 5, and International Electrotechnical Commission Recommendations IEC 157-1.

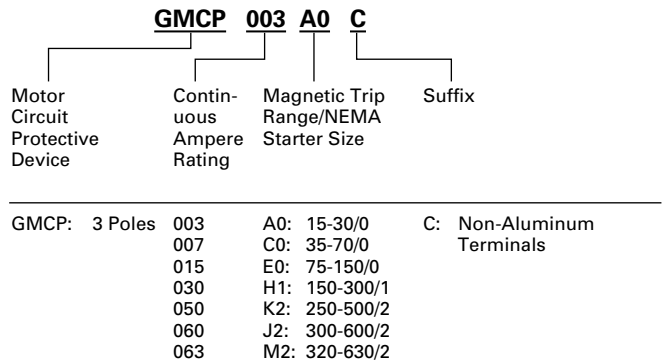
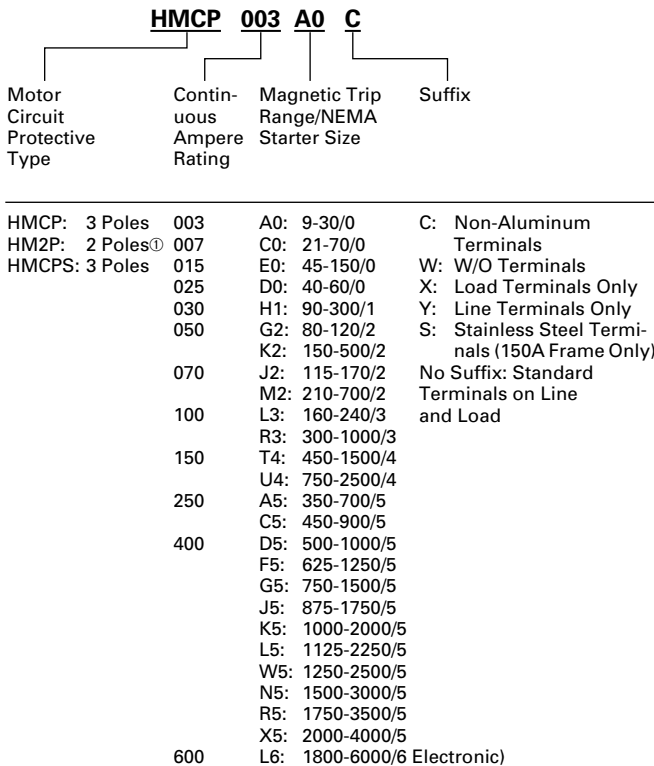
An innovative design of internal components allows higher MCP-starter combination interrupting ratings. The MCP is marked to permit proper electrical application within the assigned equipment ratings.

The MCP is a recognized component (UL File E7819) and complies with the applicable requirements of Underwriters Laboratories, Inc. Standard UL489. It is also designed to comply with the applicable requirements of Canadian Standards Association Standard C22.2 No. 5, International Electrotechnical Commission Recommendations IEC 157-1, and nameplates bear the CE marking.

**Catalog Numbering System**

This information is presented only as an aid to understanding catalog numbers. It is not to be used to build catalog numbers for circuit breakers or trip units.

**Motor Circuit Protector Catalog Number**



① On J- and K-Frame HMCPs only.



## G-Frame

480 Vac Maximum, 250 Vdc Maximum

MCP Catalog Number	NEMA Starter Size	Continuous Amperes	Cam Setting	Motor Full Load Center Amperes <sup>⑤</sup>	MCP Trip Setting
GMCP003A0C	0	3	A	1.1 - 1.2	15
			B	1.3 - 1.5	18
			C	1.6 - 1.7	21
			D	1.8 - 1.9	24
			E	2.0 - 2.2	27
			F	2.3 - 2.5	30
GMCP007C0C	0	7	A	2.6 - 3.1	35
			B	3.2 - 3.6	42
			C	3.7 - 3.9	49
			D	4.3 - 4.7	56
			E	4.8 - 5.2	63
			F	5.3 - 5.7	70
GMCP015E0C	0	15	A	5.7 - 6.8	75
			B	6.9 - 7.9	90
			C	8.0 - 9.1	105
			D	9.2 - 10.3	120
			E	10.4 - 11.4	135
			F	11.5 - 12.6	150
GMCP030H1C	1	30	A	11.5 - 13.7	150
			B	13.8 - 16.0	180
			C	16.1 - 18.3	210
			D	18.4 - 20.6	240
			E	20.7 - 22.9	270
			F	23.0 - 25.2	300
GMCP050K2C	2	50	A	19.3 - 22.9	250
			B	23.0 - 26.8	300
			C	26.9 - 30.6	350
			D	30.7 - 34.5	400
			E	34.6 - 38.3	450
			F	38.4 - 42.1	500
GMCP060J2C	3	60	A	23.1 - 27.5	300
			B	27.7 - 32.2	360
			C	32.3 - 36.7	420
			D	36.9 - 41.4	480
			E	41.5 - 46.0	540
			F	46.2 - 50.5	600
GMCP063M2C	3	63	A	24.2 - 32.1	320
			B	29.1 - 34.8	380
			C	33.9 - 39.4	440
			D	38.8 - 46.4	500
			E	43.6 - 48.9	570
			F	48.5 - 53.7	630

Instruction Leaflet/FRED Number 15579

## Modifications for GMCP

### Internal Accessories

These modifications must be factory installed<sup>①</sup>.

Type Accessory	Electrical Ratings			Contact Arrangement	Style Number	Factory Suffix
	Volts	Frequency	Amperes			
Shunt Trip <sup>③</sup>	120	50/60 Hz	1.1		1373D62G18	S5
Shunt Trip <sup>③</sup>	240	50/60 Hz	2.1		1373D62G19	S6
Auxiliary Switch <sup>④</sup>	240	50/60 Hz	6.0	1a/1b	1288C74G03	A3
Auxiliary Switch <sup>④</sup>	240	50/60 Hz	6.0	2a/2b	1288C73G03	A6
Alarm Switch <sup>④</sup>	240	50/60 Hz	6.0	Make/Break	1288C75G03	B3
Alarm Switch <sup>④</sup> Alarm Switch Combination	240	50/60 Hz	6.0	1a/1b Make/Break	1288C76G09	B13

**Note:** No UVR available on GMCP.

Instruction Leaflet/FRED Number 15552 for Alarm Switch

Instruction Leaflet/FRED Number 15551 for Auxiliary Switch

Instruction Leaflet/FRED Number 15550 for Shunt Trip

### External Mounted Accessories

Description	Number Units in Package	Style Number
Lock Dog (Non-Padlockable)	1	1294C01H01
Mounting Hardware	1	624B375G23
DIN Rail Adapter <sup>②</sup>	10	1225C79G02

Instruction Leaflet/FRED Number 29C191 (DIN Rail Adapter)

### Vari-Depth Handle Mechanism<sup>⑥</sup>

Description	Catalog Number
For Type 1 use	HRGMV11L
For Type 3R, 4X, 12 use	HRGMV14L
Close Coupled Black with Gray Handle	HRGMC10
Close Coupled Red with Yellow Handle	HRGMC30

① Only one accessory may be installed in GMCP.

② For use with standard 35 mm DIN rail such as, 35 x 7.5 or 15 mm per DIN EN50022.

③ LH only.

④ RH only.

⑤ Motor FLA ranges are typical. The corresponding trip setting is at 13 times the minimum FLA value shown. Where a 13 times setting is required for an intermediate FLA value, alternate cam settings and/or MCP ratings should be used.

⑥ For use with GMCP only.

**F-Frame**

600 Vac Maximum, 250 Vdc Maximum

MCP Catalog Number	NEMA Starter Size	Continuous Amperes	Cam Setting	Motor Full Load Center Amperes <sup>①</sup>	MCP Trip Setting <sup>②</sup>
HMCP003A0C	0	3	A	.69 - .91	9
			B	.92 - 1.0	12
			C	1.1 - 1.2	15
			D	1.3 - 1.5	18
			E	1.6 - 1.7	21
			F	1.8 - 1.9	24
			G	2.0 - 2.2	27
			H	2.3 - 2.5	30
HMCP007C0C	0	7	A	1.5 - 2.0	21
			B	2.1 - 2.5	28
			C	2.6 - 3.1	35
			D	3.2 - 3.6	42
			E	3.7 - 3.9	49
			F	4.3 - 4.7	56
			G	4.8 - 5.2	63
			H	5.3 - 5.7	70
HMCP015E0C	0	15	A	3.4 - 4.5	45
			B	4.6 - 5.6	60
			C	5.7 - 6.8	75
			D	6.9 - 7.9	90
			E	8.0 - 9.1	105
			F	9.2 - 10.3	120
			G	10.4 - 11.4	135
			H	11.5 - 12.6	150
HMCP030H1C	1	30	A	6.9 - 9.1	90
			B	9.2 - 11.4	120
			C	11.5 - 13.7	150
			D	13.8 - 16.0	180
			E	16.1 - 18.3	210
			F	18.4 - 20.6	240
			G	20.7 - 22.9	270
			H	23.0 - 25.2	300
HMCP050K2C	2	50	A	11.5 - 15.2	150
			B	15.3 - 19.1	200
			C	19.2 - 22.9	250
			D	23.0 - 26.8	300
			E	26.9 - 30.6	350
			F	30.7 - 34.5	400
			G	34.6 - 38.3	450
			H	38.4 - 42.1	500
HMCP070M2C	2	70	A	16.1 - 21.4	210
			B	21.5 - 26.8	280
			C	26.9 - 32.2	350
			D	32.3 - 37.5	420
			E	37.6 - 42.9	490
			F	43.0 - 48.3	560
			G	48.4 - 53.7	630
			H	53.8 - 59.1	700
HMCP100R3C	3	100	A	23.0 - 30.6	300
			B	30.7 - 38.3	400
			C	38.4 - 46.0	500
			D	46.1 - 53.7	600
			E	53.8 - 61.4	700
			F	61.5 - 69.1	800
			G	69.2 - 76.8	900
			H	76.9 - 84.5	1000

**F-Frame (Continued)**

600 Vac Maximum, 250 Vdc Maximum

MCP Catalog Number	NEMA Starter Size	Continuous Amperes	Cam Setting	Motor Full Load Center Amperes <sup>①</sup>	MCP Trip Setting <sup>②</sup>
HMCP150T4C	4	150	A	34.6 - 46.0	450
			B	46.1 - 57.5	600
			C	57.6 - 69.1	750
			D	69.2 - 80.6	900
			E	80.7 - 92.2	1050
			F	92.3 - 103.7	1200
			G	103.8 - 115.2	1350
			H	115.3 - 126.7	1500
HMCP150U4C	4	150	A	57.0 - 75.0	750
			B	76.0 - 95.0	1000
			C	96.0 - 114.0	1250
			D	115.0 - 130.7	1500
			E	③	1750
			F	③	2000
			G	③	2250
			H	③	2500

Instruction Leaflet/FRED Number 29C401

**Special Low Magnetic Protection Application MCP**

600 Vac Maximum, 250 Vdc Maximum

MCP Catalog Number	NEMA Starter Size	Continuous Amperes	Cam Setting	Motor Full Load Center Amperes	MCP Trip Setting <sup>②</sup>
HMCP025D0C	-	25A	A	-	40
			B	-	43
			C	-	46
			D	-	49
			E	-	52
			F	-	55
			G	-	58
			H	-	60
HMCP050G2C	-	50A	A	-	80
			B	-	87
			C	-	93
			D	-	98
			E	-	103
			F	-	109
			G	-	115
			H	-	120
HMCP070J2C	-	70A	A	-	115
			B	-	122
			C	-	130
			D	-	139
			E	-	145
			F	-	153
			G	-	160
			H	-	170
HMCP100L3C	-	100A	A	-	160
			B	-	174
			C	-	185
			D	-	196
			E	-	207
			F	-	218
			G	-	229
			H	-	240

Instruction Leaflet/FRED Number 29C407

- ① Motor FLA ranges are typical. The corresponding trip setting is at 13 times the minimum FLA value shown. Where a 13 times setting is required for an intermediate FLA value, alternate cam settings and/or MCP ratings should be used.
- ② For Dc applications, actual trip levels are approximately 40% higher than values shown.
- ③ Settings above 130 amperes are for special applications. NEC Article 430-110(a) requires the ampere rating of the disconnecting means to be not less than 115% of the motor full load ampere rating.

## MCPs for Application with Motor Starters Equipped with Electronic Overload Relays

600 Vac Maximum, 250 Vdc Maximum

MCP Catalog Number	NEMA Starter Size	Continuous Amperes	Cam Setting	Motor Full Load Center Amperes <sup>①</sup>	MCP Trip Setting <sup>②</sup>
HMCPS003A0C	0	3	A	.69 - .91	9
			B	.92 - 1.0	12
			C	1.1 - 1.2	15
			D	1.3 - 1.5	18
			E	1.6 - 1.7	21
			F	1.8 - 1.9	24
			G	2.0 - 2.2	27
			H	2.3 - 2.5	30
HMCPS007C0C	0	7	A	1.5 - 2.0	21
			B	2.1 - 2.5	28
			C	2.6 - 3.1	35
			D	3.2 - 3.6	42
			E	3.7 - 3.9	49
			F	4.3 - 4.7	56
			G	4.8 - 5.2	63
			H	5.3 - 5.7	70
HMCPS015E0C	0	15	A	3.4 - 4.5	45
			B	4.6 - 5.6	60
			C	5.7 - 6.8	75
			D	6.9 - 7.9	90
			E	8.0 - 9.1	105
			F	9.2 - 10.3	120
			G	10.4 - 11.4	135
			H	11.5 - 12.6	150
HMCPS030H1C	1	30	A	6.9 - 9.1	90
			B	9.2 - 11.4	120
			C	11.5 - 13.7	150
			D	13.8 - 16.0	180
			E	16.1 - 18.3	210
			F	18.4 - 20.6	240
			G	20.7 - 22.9	270
			H	23.0 - 25.2	300
HMCPS050K2C	2	50	A	11.5 - 15.2	150
			B	15.3 - 19.1	200
			C	19.2 - 22.9	250
			D	23.0 - 26.8	300
			E	26.9 - 30.6	350
			F	30.7 - 34.5	400
			G	34.6 - 38.3	450
			H	38.4 - 42.1	500
HMCPS100R3C	3	100	A	23.0 - 30.6	300
			B	30.7 - 38.3	400
			C	38.4 - 46.0	500
			D	46.1 - 53.7	600
			E	53.8 - 61.4	700
			F	61.5 - 69.1	800
			G	69.2 - 76.8	900
			H	76.9 - 84.5	1000
HMCPS150T4C	4	150	A	34.6 - 46.0	450
			B	46.1 - 57.5	600
			C	57.6 - 69.1	750
			D	69.2 - 80.6	900
			E	80.7 - 92.2	1050
			F	92.3 - 103.7	1200
			G	103.8 - 115.2	1350
			H	115.3 - 126.7	1500
HMCPS150U4C	4	150	A	57.0 - 75.0	750
			B	76.0 - 95.0	1000
			C	96.0 - 114.0	1250
			D	115.0 - 130.7	1500
			E	③	1750
			F	③	2000
			G	③	2250
			H	③	2500

Instruction Leaflet/FRED Number 29C401

## Type ELC Current Limiter Attachment (Size 0-4)



The type ELC current limiter attachment for the Series C MCP is designed to provide increased interrupting capacity. The combination may be used for the application up to 200,000A symmetrical at 600 Vac making the MCP suitable for use in network distribution systems or other applications where unusually high fault currents are available. The current limiter connects to the load end of the MCP and is provided with terminals suitable for copper or aluminum conductors. (See table).

Limiters are coordinated with the MCP so that normal fault currents are interrupted automatically by the MCP without any damage to the limiter. Only the rare very high fault is opened by the limiter. Faults that are interrupted by the limiter are interrupted by the limiter also magnetically trip the MCP, opening all three poles, preventing single-phase operation.

Each of the three poles of the type ELC limiter is equipped with an indicator that extends when a fault is interrupted by the limiter.

### Type ELC Current Limiter Terminal Wire Sizes<sup>④</sup>

Type ELC Current Limiter Maximum Amperes	Standard Aluminum Terminals		Nonstandard Terminals (Steel)	
	Wire Range AWG	Metric (mm <sup>2</sup> )	Wire Range AWG	Metric (mm <sup>2</sup> )
50	#14-2	2.5-35	#14-2 <sup>⑤</sup>	2.5-35
100	#1-4/0	50-95	-	-
150	#1-4/0	50-95	-	-

### ELC Current Limiter Attachment

MCP Rating (Amperes)	Catalog Number
3	ELC3003R
7	ELC3007R
15	ELC3015R
30	ELC3030R
50	ELC3050R
100	ELC3100R
150	ELC3150R

Instruction Leaflet/FRED Number 29C401

- Motor FLA ranges are typical. The corresponding trip setting is at 13 times the minimum FLA value shown. Where a 13 times setting is required for an intermediate FLA value, alternate cam settings and/or MCP ratings should be used.
- For Dc applications, actual trip levels are approximately 40% higher than values shown.
- Settings above 130 amperes are for special applications. NEC Article 430-110(a) requires the ampere rating of the disconnecting means to be not less than 115% of the motor full load ampere rating.
- Terminal wire connectors are UL listed for standard stranded wire sizes as defined in UL486A or UL486B.
- Optional on special order for copper cable only.

**J-Frame**

600 Vac Maximum, 250 Vdc Maximum

MCP Catalog Number <sup>①</sup>	NEMA Starter Size	Continuous Amperes	Cam Setting	Motor Full Load Center Amperes <sup>②</sup>	MCP Trip Setting <sup>③</sup>
<b>HMCP250A5C</b>	4	250	A	27.0 - 30.7	350
	4		B	30.8 - 33.8	400
	4		C	33.9 - 36.9	440
	5		D	37.0 - 40.3	480
	5		E	40.4 - 43.8	525
	5		F	43.9 - 46.9	570
	5		G	47.0 - 50.7	610
	5		H	50.8 - 53.8	660
	5		I	53.9 - 57.2	700
<b>HMCP250C5C</b>	5	250	A	34.7 - 38.8	450
	5		B	38.9 - 43.4	505
	5		C	43.5 - 47.6	565
	5		D	47.7 - 52.2	620
	5		E	52.3 - 56.5	680
	5		F	56.6 - 60.7	735
	5		G	60.8 - 64.9	790
	5		H	65.0 - 69.2	845
	5		I	69.3 - 73.5	900
<b>HMCP250D5C</b>	5	250	A	38.5 - 43.4	500
	5		B	43.5 - 48.0	565
	5		C	48.1 - 53.0	625
	5		D	53.1 - 57.6	690
	5		E	57.7 - 62.3	750
	5		F	62.4 - 67.3	810
	5		G	67.4 - 71.9	875
	5		H	72.0 - 76.9	935
	5		I	77.0 - 81.6	1000
<b>HMCP250F5C</b>	5	250	A	48.1 - 53.8	625
	5		B	53.9 - 59.9	700
	5		C	60.0 - 66.1	780
	5		D	66.2 - 72.3	860
	5		E	72.4 - 78.4	940
	5		F	78.5 - 83.8	1020
	5		G	83.9 - 89.9	1090
	5		H	90.0 - 96.1	1170
	5		I	96.2 - 102.0	1250
<b>HMCP250G5C</b>	5	250	A	57.7 - 64.6	750
	5		B	64.7 - 71.9	840
	5		C	72.0 - 79.2	935
	5		D	79.3 - 86.5	1030
	5		E	86.6 - 93.8	1125
	5		F	93.9 - 101.1	1220
	5		G	101.2 - 108.4	1315
	5		H	108.5 - 115.3	1410
	5		I	115.4 - 122.4	1500

MCP Catalog Number <sup>①</sup>	NEMA Starter Size	Continuous Amperes	Cam Setting	Motor Full Load Center Amperes <sup>②</sup>	MCP Trip Setting <sup>③</sup>
<b>HMCP250J5C</b>	5	250	A	67.4 - 75.3	875
	5		B	75.4 - 83.8	980
	5		C	83.9 - 92.3	1090
	5		D	92.4 - 100.7	1200
	5		E	100.8 - 109.2	1310
	5		F	109.3 - 117.6	1420
	5		G	117.7 - 126.1	1530
	5		H	126.2 - 134.6	1640
	5		I	134.7 - 142.8	1750
<b>HMCP250K5C</b>	5	250	A	77.0 - 86.6	1000
	5		B	86.6 - 96.1	1125
	5		C	96.2 - 105.7	1250
	5		D	105.8 - 115.3	1375
	5		E	115.4 - 124.9	1500
	5		F	125.0 - 134.6	1625
	5		G	134.7 - 144.2	1750
	5		H	144.3 - 153.8	1875
	5		I	153.9 - 163.3	2000
<b>HMCP250L5C</b>	5	250	A	86.6 - 97.3	1125
	5		B	97.4 - 108.4	1265
	5		C	108.5 - 118.8	1410
	5		D	118.9 - 129.9	1545
	5		E	130.0 - 140.7	1690
	5		F	140.8 - 151.5	1830
	5		G	151.6 - 162.3	1970
	5		H	162.4 - 173.0	2110
	5		I	173.1 - 183.6	2250
<b>HMCP250W5C</b>	5	250	A	96.2 - 108.0	1250
	5		B	108.1 - 119.9	1405
	5		C	120.0 - 132.3	1560
	5		D	132.4 - 144.2	1720
	5		E	144.3 - 156.1	1875
	5		F	156.2 - 168.0	2030
	5		G	168.1 - 179.9	2185
	5		H	180.0 - 192.3	2340
	5		I	192.4 - 204.0	2500

Instruction Leaflet/FRED Number 29C402

- ① Three-pole catalog numbers shown. Two-pole catalog numbers begin with "HM2P" in place of "HMCP."
- ② Motor FLA ranges are typical. The corresponding trip setting is at 13 times the minimum FLA value shown. Where a 13 times setting is required for an intermediate FLA value, alternate cam settings and/or MCP ratings should be used.
- ③ For Dc applications, actual trip levels are approximately 40% higher than values shown.

## K-Frame

600 Vac Maximum, 250 Vdc Maximum

MCP Catalog Number <sup>①</sup>	NEMA Starter Size	Continuous Amperes	Cam Setting	Motor Full Load Center Amperes <sup>②</sup>	MCP Trip Setting <sup>③</sup>
HMCP400D5C	5	400	A	38.5 - 43.4	500
	5		B	43.5 - 48.0	565
	5		C	48.1 - 53.0	626
	5		D	53.1 - 57.6	690
	5		E	57.7 - 62.3	750
	5		F	62.4 - 67.3	810
	5		G	67.4 - 71.9	875
	5		H	72.0 - 76.9	935
	5		I	77.0 - 81.6	1000
HMCP400F5C	5	400	A	48.1 - 53.8	625
	5		B	53.9 - 59.9	700
	5		C	60.0 - 66.1	780
	5		D	66.2 - 72.3	860
	5		E	72.4 - 78.4	940
	5		F	78.5 - 83.8	1020
	5		G	83.9 - 89.9	1090
	5		H	90.0 - 96.1	1170
	5		I	96.2 - 102.0	1250
HMCP400G5C	5	400	A	57.7 - 64.6	750
	5		B	64.7 - 71.9	840
	5		C	72.0 - 79.2	935
	5		D	79.3 - 86.5	1030
	5		E	86.6 - 93.8	1125
	5		F	93.9 - 101.1	1220
	5		G	101.2 - 108.4	1315
	5		H	108.5 - 115.3	1410
	5		I	115.4 - 122.4	1500
HMCP400J5C	5	400	A	67.4 - 75.3	875
	5		B	75.4 - 83.8	980
	5		C	83.9 - 92.3	1090
	5		D	92.4 - 100.7	1200
	5		E	100.8 - 109.2	1310
	5		F	109.3 - 117.6	1420
	5		G	117.7 - 126.1	1530
	5		H	126.2 - 134.6	1640
	5		I	134.7 - 142.8	1750
HMCP400K5C	5	400	A	77.0 - 86.5	1000
	5		B	86.6 - 96.1	1125
	5		C	96.2 - 105.7	1250
	5		D	105.8 - 115.3	1375
	5		E	115.4 - 124.9	1500
	5		F	125.0 - 134.6	1625
	5		G	134.7 - 144.2	1750
	5		H	144.3 - 153.8	1875
	5		I	153.9 - 163.3	2000

MCP Catalog Number <sup>①</sup>	NEMA Starter Size	Continuous Amperes	Cam Setting	Motor Full Load Center Amperes <sup>②</sup>	MCP Trip Setting <sup>③</sup>
HMCP400L5C	5	400	A	86.6 - 97.3	1125
	5		B	97.4 - 108.4	1265
	5		C	108.5 - 118.8	1410
	5		D	118.9 - 129.9	1545
	5		E	130.0 - 140.7	1690
	5		F	140.8 - 151.5	1830
	5		G	151.6 - 162.3	1970
	5		H	162.4 - 173.0	2110
	5		I	173.1 - 183.6	2250
HMCP400W5C	5	400	A	96.2 - 108.0	1250
	5		B	108.1 - 119.9	1405
	5		C	120.0 - 132.3	1560
	5		D	132.4 - 144.2	1720
	5		E	144.3 - 156.1	1875
	5		F	156.2 - 168.0	2030
	5		G	168.1 - 179.9	2185
	5		H	180.0 - 192.3	2340
	5		I	192.4 - 204.0	2500
HMCP400N5C	5	400	A	115.4 - 129.9	1500
	5		B	130.0 - 144.2	1690
	5		C	144.3 - 158.4	1875
	5		D	158.5 - 173.0	2060
	5		E	173.1 - 187.6	2250
	5		F	187.7 - 201.9	2440
	5		G	202.0 - 216.1	2625
	5		H	216.2 - 230.7	2810
	5		I	230.8 - 244.9	3000
HMCP400R5C	5	400	A	134.7 - 151.5	1750
	5		B	151.6 - 168.4	1970
	5		C	168.5 - 185.3	2190
	5		D	185.4 - 201.9	2410
	5		E	202.0 - 218.8	2625
	5		F	218.9 - 235.7	2845
	5		G	235.8 - 252.6	3065
	5		H	252.7 - 269.2	3285
	5		I	269.3 - 285.7	3500
HMCP400X5C	5	400	A	153.9 - 173.0	2000
	5		B	173.1 - 192.3	2250
	5		C	192.4 - 211.5	2500
	5		D	211.6 - 230.7	2750
	5		E	230.8 - 249.9	3000
	5		F	250.0 - 269.2	3250
	5		G	269.3 - 288.4	3500
	5		H	288.5 - 307.6	3750
	5		I	307.7 - 326.9	4000

Instruction Leaflet/FRED Number 29C403

## L-Frame<sup>④</sup>

600 Vac Maximum

MCP Catalog Number	NEMA Starter Size	Continuous Amperes	Cam Setting	Motor Full Load Center Amperes <sup>②</sup>	MCP Trip Setting
HMCP600L6W	6	600	A	138.5 - 184.5	1800
	6		B	184.6 - 230.7	2400
	6		C	230.8 - 276.8	3000
	6		D	276.9 - 323.0	3600
	6		E	323.1 - 369.1	4200
	6		F	369.2 - 415.3	4800
	6		G	415.4 - 461.4	5400
	6		H	461.5 - 507.7	6000

Instruction Leaflet/FRED Number 29C404

① Three-pole catalog numbers shown. Two-pole catalog numbers begin with "HM2P" in place of "HMCP."

② Motor FLA ranges are typical. The corresponding trip setting is at 13 times the minimum FLA value shown. Where a 13 times setting is required for an intermediate FLA value, alternate cam settings and/or MCP ratings should be used.

③ For Dc applications, actual trip levels are approximately 40% higher than values shown.

④ Equipped with electronic trip device.



Typical Series C Earth Leakage Circuit Breaker

## General Information

Series C Earth Leakage Breakers offer superior Class 1 ground fault protection and improved ground fault coordination capability.

Earth leakage ground fault protection differs from other types of systems in its level of sensitivity. The sensitivity of traditional devices is limited by the cumulative error of the residual current sensors and the placement of the phase and neutral conductors inside the current sensor.

Leakage breakers are zero sequence sensing devices. They are factory supplied with a single sensor and ground fault relay built-in. This technique allows for protection sensitivities down to the 30 milliampere level.

Leakage breakers are provided with a full complement of easy adjustments. The ground fault pickup setting is adjustable from 0.03 to 30 amperes in eight steps, and the ground fault time delay setting is adjustable from instantaneous to 2.0 seconds in six steps. When the pickup is set to 30 mA, the time delay setting defaults internally to instantaneous only. Increased selectivity provides for improved coordination with upstream and downstream ground fault devices as well as the flexibility to adjust for transient currents.

## Applications

### Three-Phase, Four-Wire Loads

For three-phase applications with line-to-neutral loads, select 4-pole earth leakage breakers and wire the neutral through the fourth (right) pole.

### Three-Phase, Three-Wire Loads

For applications with only three-phase, three-wire, line-to-line connected loads, select 3-pole earth leakage breakers.

### Single-Phase Loads

For single-phase, two-wire or three-wire applications, use a 3-pole earth leakage breaker and connect all conductors through the breaker.

## Accessories

### Optional Factory Installed Internal Accessories

Earth leakage breakers use the same internal accessories as standard F-, J- and K-Frame Series C Breakers. Internal accessories fit in the right-hand pole space and are available as factory modifications only.

### Optional External Accessories

Series C Earth Leakage Breakers use the same external accessories as the standard F-, J- and K-Frame circuit breakers.

Selection Guide and Ordering Information

F-Frame Earth Leakage Ground Fault Breakers UL 489 and UL 1053 – Catalog Numbers

Amperes <sup>③</sup>	25 kA at 480 VAC		65 kA at 480 VAC		100 kA at 480 VAC	
	3-Pole	4-Pole	3-Pole	4-Pole	3-Pole	4-Pole
35	ELFD3035L	ELFD4035L	ELHFD3035L	ELHFD4035L	ELFDC3035L	ELFDC4035L
40	ELFD3040L	ELFD4040L	ELHFD3040L	ELHFD4040L	ELFDC3040L	ELFDC4040L
45	ELFD3045L	ELFD4045L	ELHFD3045L	ELHFD4045L	ELFDC3045L	ELFDC4045L
50	ELFD3050L	ELFD4050L	ELHFD3050L	ELHFD4050L	ELFDC3050L	ELFDC4050L
60	ELFD3060L	ELFD4060L	ELHFD3060L	ELHFD4060L	ELFDC3060L	ELFDC4060L
70	ELFD3070L	ELFD4070L	ELHFD3070L	ELHFD4070L	ELFDC3070L	ELFDC4070L
80	ELFD3080L	ELFD4080L	ELHFD3080L	ELHFD4080L	ELFDC3080L	ELFDC4080L
90	ELFD3090L	ELFD4090L	ELHFD3090L	ELHFD4090L	ELFDC3090L	ELFDC4090L
100	ELFD3100L	ELFD4100L	ELHFD3100L	ELHFD4100L	ELFDC3100L	ELFDC4100L
110	ELFD3110L	ELFD4110L	ELHFD3110L	ELHFD4110L	ELFDC3110L	ELFDC4110L
125	ELFD3125L	ELFD4125L	ELHFD3125L	ELHFD4125L	ELFDC3125L	ELFDC4125L
150	ELFD3150L	ELFD4150L	ELHFD3150L	ELHFD4150L	ELFDC3150L	ELFDC4150L

J-Frame Earth Leakage Ground Fault Breakers UL 489 and UL 1053 – Catalog Numbers

Amperes	35 kA at 480 VAC		65 kA at 480 VAC		100 kA at 480 VAC	
	3-Pole	4-Pole	3-Pole	4-Pole	3-Pole	4-Pole
100	ELJD3100	ELJD4100	ELHJD3100	ELHJD4100	ELJDC3100	ELJDC4100
125	ELJD3125	ELJD4125	ELHJD3125	ELHJD4125	ELJDC3125	ELJDC4125
150	ELJD3150	ELJD4150	ELHJD3150	ELHJD4150	ELJDC3150	ELJDC4150
175	ELJD3175	ELJD4175	ELHJD3175	ELHJD4175	ELJDC3175	ELJDC4175
200	ELJD3200	ELJD4200	ELHJD3200	ELHJD4200	ELJDC3200	ELJDC4200
225	ELJD3225	ELJD4225	ELHJD3225	ELHJD4225	ELJDC3225	ELJDC4225
250	ELJD3250	ELJD4250	ELHJD3250	ELHJD4250	ELJDC3250	ELJDC4250

K-Frame Earth Leakage Ground Fault Breakers UL 489 and UL 1053 – Catalog Numbers

Amperes	35 kA at 480 VAC		65 kA at 480 VAC		100 kA at 480 VAC	
	3-Pole	4-Pole	3-Pole	4-Pole	3-Pole	4-Pole
200	ELKD3200	ELKD4200	ELHKD3200	ELHKD4200	ELKDC3200	ELKDC4200
225	ELKD3225	ELKD4225	ELHKD3225	ELHKD4225	ELKDC3225	ELKDC4225
250	ELKD3250	ELKD4250	ELHKD3250	ELHKD4250	ELKDC3250	ELKDC4250
300	ELKD3300	ELKD4300	ELHKD3300	ELHKD4300	ELKDC3300	ELKDC4300
350	ELKD3350	ELKD4350	ELHKD3350	ELHKD4350	ELKDC3350	ELKDC4350
400	ELKD3400	ELKD4400	ELHKD3400	ELHKD4400	ELKDC3400	ELKDC4400

Standard Line and Load Terminals – Included with Breaker

Frame	Wire Type	(Number) Range of Conductors	Terminal Material	
F-Frame	35-100A	Cu/Al	(1) #14-1/0	Steel
F-Frame	110-150A	Cu/Al	(1) #4-4/0	Stainless Steel
J-Frame	100-250A	Cu/Al	(1) #4-250 kcmil	Aluminum
K-Frame	200-350A	Cu/Al	(1) 250-500 kcmil	Aluminum
K-Frame	400A	Cu/Al	(2) 3/0-250 kcmil	Aluminum

Optional K-Frame Line and Load Terminals – Order Separately

Wire Type	(Number) Range of Conductors	Terminal Material	Catalog Number
Cu/Al	(2) 250 kcmil	Aluminum	3TA401K <sup>①</sup>
Cu/Al	(1) 500 kcmil	Aluminum	
Cu/Al	(2) 250 kcmil	Aluminum	4TA401K <sup>②</sup>
Cu/Al	(1) 500 kcmil	Aluminum	
Cu	(1) 3-350 kcmil	Copper	T300K
Cu	(1) 3-350 kcmil	Copper	T300K
Cu	(1) 250-500 kcmil	Copper	T350K
Cu	(1) 250-500 kcmil	Copper	T350K
Cu	(1) 3/0-250 kcmil	Copper	3T400K <sup>①</sup>
Cu	(1) 3/0-250 kcmil	Copper	3T400K <sup>②</sup>

F-Frame HMCP with Earth Leakage Ground Fault

Continuous Amperes	Catalog Number 3-Pole
3	ELHMCP003A0C
7	ELHMCP007C0C
15	ELHMCP015E0C
25	ELHMCP025X0C
30	ELHMCP030H1C
50	ELHMCP050K2C
70	ELHMCP070M2C
100	ELHMCP100R3C
150	ELHMCP150T4C
150	ELHMCP150U4C
3	ELHMCP003A0LC
7	ELHMCP007C0LC
15	ELHMCP015E0LC
25	ELHMCP025D0C
30	ELHMCP030H1LC
50	ELHMCP050G2C
70	ELHMCP070J2C
100	ELHMCP100L3C
–	ELHMCP024D0IC
–	ELHMCP050G2IC
–	ELHMCP070J2IC
100	ELHMCP100K3C

HMCPs for Application with Motor Starters Equipped with Electrical Overload Relays

Continuous Amperes	Catalog Number 3-Pole
3	ELHMCP003A0C
7	ELHMCP007C0C
15	ELHMCP015E0C
30	ELHMCP030H1C
50	ELHMCP050K2C
100	ELHMCP100R3C
150	ELHMCP150T4C
150	ELHMCP150U4C

J-Frame HMCP with Earth Leakage Ground Fault

Continuous Amperes	Catalog Number 3-Pole
250	ELHMCP250A5
	ELHMCP250C5
	ELHMCP250D5
	ELHMCP250F5
	ELHMCP250G5
	ELHMCP250J5
400	ELHMCP250K5
	ELHMCP250L5
	ELHMCP250V5
	ELHMCP400D5
	ELHMCP400F5
400	ELHMCP400G5
	ELHMCP400J5
	ELHMCP400K5

① Package of 3 terminals.

② Package of 4 terminals.

③ 15, 20, 25, and 30 ampere available.



**Type FCL Current Limit-R Thermal-Magnetic Circuit Breakers**

15 to 100 Amperes, 480 Volts Ac  
Non-Interchangeable Trip, Line and  
Load Terminals Included



Type FCL Breaker

**Dimensions / Weights**

**Dimensions, Inches**

Number of Poles	Width	Height	Depth
2-3	4.125 (104.78)	8.75 (222.25)	3.375 (85.73)

**Approximate Shipping Weight, Lbs. (kg)**

2-Pole	9 (4.082)
3-Pole	9 (4.082)

**Listed with Underwriters Laboratories, Inc. except as noted.**

Type FCL breakers are not defined in Federal Specification W-C-375-b.

**Interrupting Capacity Ratings**

Circuit Breaker Type	Volts Ac (50/60 Hz)	Interrupting Capacity (Symmetrical Amperes) (kA)
FCL	240 480	200 150

On all 3-phase Delta, Grounded B phase applications, refer to Cutler-Hammer.

Maximum Continuous Ampere Rating @ 40°C	2-Pole <sup>①</sup>	3-Pole
	Catalog Number	
15	FCL2015L	FCL3015L
20	FCL2020L	FCL3020L
25	FCL2025L	FCL3025L
30	FCL2030L	FCL3030L
35	FCL2035L	FCL3035L
40	FCL2040L	FCL3040L
45	FCL2045L	FCL3045L
50	FCL2050L	FCL3050L
60	FCL2060L	FCL3060L
70	FCL2070L	FCL3070L
80	FCL2080L	FCL3080L
90	FCL2090L	FCL3090L
100	FCL2100L	FCL3100L

**Line and Load Terminals**

Breakers listed include line and load terminals. Terminals are Underwriters Laboratories, Inc. listed for wire sizes and types listed below. When used with aluminum cable, use joint compound. To order optional aluminum terminals, add suffix "Z" to breaker catalog number listed.

Maximum Breaker Amperes	Wire Type	AWG Wire Range
<b>Standard Pressure Terminals</b>		
100	Al/Cu	#14-1/0
<b>Optional Al/Cu Pressure Terminals</b>		
50	Al/Cu	#14-#4
100	Al/Cu	#4-4/0

① 2-pole breakers are supplied in 3-pole frames with current carrying parts omitted from the center pole.



**Type LCL Current Limit-R Electronic Circuit Breakers**

125 to 400 Amperes, 600 Volts Ac with Solid State Trip Units



Type LCL Breaker

**Dimensions / Weights**

**Dimensions, Inches**

Number of Poles	Width	Height	Depth
2-3	16 (406.40)	8.25 (209.56)	4.0625 (103.19)

**Approximate Shipping Weight, Lbs. (kg)**

Standard	
2-Pole	32 (14.515)
3-Pole	32 (14.515)
With Ground Fault	
3-Pole	36 (16.329)

**Listed with Underwriters Laboratories, Inc. except as noted.**

Type LCL breakers are not defined in Federal Specification W-C-375-b.

**Interrupting Capacity Ratings**

Circuit Breaker Type	Volts Ac (50/60 Hz)	Interrupting Capacity (Symmetrical Amperes) (kA)
LCL	240	200
	480	200
	600	100

On all 3-phase Delta, Grounded B phase applications, refer to Cutler-Hammer.

**Standard Breakers 600 Volts Ac, 50/60 Hz**

Complete breaker requires frame, rating plug and terminals

Frame Only			
Poles <sup>①</sup>	Standard (Long Delay, Magnetic Trip and Current Limiting)	Magnetic Only <sup>②</sup> and Current Limiting	Long Delay, Magnetic Trip and Adjustable Short Delay Time (.08-.28 seconds), and Current Limiting
	Catalog Number		

**Types LCL and LCLA 250 Ampere Frame (125-250 Amperes)**

2	LCL2250F	LCL2250FM	LCLA2250F
3	LCL3250F	LCL3250FM	LCLA3250F

**Type LCL and LCLA 400 Ampere Frame (200-400 Amperes)**

2	LCL2400F	LCL2400FM	LCLA2400F
3	LCL3400F	LCL3400FM	LCLA3400F

Instruction Leaflet/FRED Number 15257

**Breakers with Built-in Ground Fault Protection**

Complete breaker requires frame, rating plug and terminals – extra current transformer included for neutral.

Frame Only		
Poles <sup>①</sup>	Standard (Long Delay, Magnetic Trip, Current Limiting, and Ground Fault Trip)	Long Delay, Magnetic Trip and Adjustable Short Delay Time (.06-.22 seconds), and Ground Fault Trip and Current Limiting
	Catalog Number	

**Types LCLG and LCLGA 250 Ampere Frame (125-250 Amperes)**

3	LCLG3250F	LCLGA3250F
---	-----------	------------

**Types LCLG and LCLGA 400 Ampere Frame (200-400 Amperes)**

3	LCLG3400F	LCLGA3400F
---	-----------	------------

Instruction Leaflet/FRED Number 15495

**Terminals<sup>③</sup> (Order Separately)**

Two terminals are required per pole. Terminals are Underwriters Laboratories, Inc. listed for wire type and range listed below. When used with aluminum cable, use joint compound.

Maximum Breaker Amperes	Wire Range, Type, Number of Cables	Terminal Catalog Number
225	1#6-350 kcmil Cu	T225LA
400	1#4-250 kcmil Cu, plus 1 3/0-600 kcmil Cu	T401LA

**Standard Copper Pressure Terminals**

225	1#6-350 kcmil Cu, or 1#4-350 kcmil Al	TA225LA1
400	1#4-250 kcmil Al/Cu, plus 1 3/0-600 kcmil Al/Cu	TA400LA1

**Optional Al/Cu Pressure Terminals**

225	1#6-350 kcmil Cu, or 1#4-350 kcmil Al	TA225LA1
400	1#4-250 kcmil Al/Cu, plus 1 3/0-600 kcmil Al/Cu	TA400LA1

**Rating Plug Selection Data**

Rating plugs listed below are for both standard breakers and breakers with built-in ground fault protection.

**Rating Plugs Only (For 2- or 3-Pole Frames)**

Contin-uous Ampere Rating	Magnetic Trip Setting, Amperes		Fixed Rating Plugs	Adjustable Rating Plugs <sup>④</sup>
	Low	High		

**Types LCL and LCLA 250 Ampere Frames**

125	375	1125	2LCL125	–
150	450	1350	2LCL150	–
175	525	1575	2LCL175	A2LCL175 <sup>⑤</sup>
200	600	1800	2LCL200	A2LCL200
225	675	2025	2LCL225	A2LCL225
250	750	2250	2LCL250	A2LCL250 <sup>⑥</sup>

**Types LCL and LCLA 400 Ampere Frames**

200	400	1600	4LCL200	–
225	450	1800	4LCL225	–
250	500	2000	4LCL250	–
275	550	2200	4LCL275	–
300	600	2400	4LCL300	A4LCL300 <sup>⑤</sup>
350	700	2800	4LCL350	A4LCL350
400	800	3200	4LCL400	A4LCL400 <sup>⑥</sup>

① 2-pole breakers are supplied in 3-pole frames with current carrying parts omitted from the center pole.

② UL listed recognized component.

③ Terminals shipped separately from breaker.

④ Adjustable 70 to 100% except as noted.

⑤ Adjustable 75 to 100%.

⑥ Adjustable 50 to 100%.

**Type FB Tri-Pac Thermal-Magnetic Circuit Breakers**

15 to 100 Amperes, 600 Volts Ac,  
250 Volts Dc, Replaceable Current  
Limiters



Type Tri-Pac FB Breaker

**Dimensions / Weights**

**Dimensions, Inches**

Number of Poles	Width	Height	Depth
2-3	4.125 (104.78)	8.75 (222.25)	3.5 (88.90)

**Approximate Shipping Weight, Lbs. (kg)**

Breaker	Complete Breaker	
	2-Pole	3-Pole
Tri-Pac FB	10.5	11.5

**Listed with Underwriters Labora-  
tories, Inc. except as noted.**

Tri-Pac FB breakers meet the requirements for Class 16a, 16b, 17a and 26a circuit breakers as defined in Federal Specification W-C-375b.

**Interrupting Capacity Ratings**

**Underwriters Laboratories, Inc.  
Listed**

600 Volts Ac Maximum: 200,000  
Amperes Symmetrical

**Based on NEMA Test Procedures**

250 Volts Dc Maximum: 100,000  
Amperes.

On all 3-phase Delta, Ground B phase applications, refer to Cutler-Hammer.

① 2-pole breakers are supplied in 3-pole frames with current carrying parts omitted from the center pole.

Maximum Continuous Ampere Rating @ 40°C	2-Pole①	3-Pole
	Catalog Number (Current Limiters Included)	
15	FB2015PL	FB3015PL
20	FB2020PL	FB3020PL
30	FB2030PL	FB3030PL
40	FB2040PL	FB3040PL
50	FB2050PL	FB3050PL
60	FB2060PL	FB3060PL
70	FB2070PL	FB3070PL
90	FB2090PL	FB3090PL
100	FB2100PL	FB3100PL

**Line and Load Terminals**

Breakers listed include line and load terminals. Terminals are Underwriters Laboratories, Inc. listed for wire sizes and types listed below. When used with aluminum cable, use joint compound. To order optional aluminum terminals, add suffix "Z" to breaker catalog number listed.

Maximum Breaker Amperes	Wire Type	AWG Wire Range
<b>Standard Pressure Terminals</b>		
100	Al/Cu	#14-1/0
<b>Optional Al/Cu Pressure Terminals</b>		
50	Al/Cu	#14-#4
100	Al/Cu	#4-4/0

**Replacement Current Limiters and Housing Assembly**

**Current Limiters: One required per pole.**

Application	Catalog Number
Supplied as standard in Type FB Tri-Pac breakers rated 15-100 amperes. Replaces 200FBP03 formerly supplied on 15-40 ampere ratings, and 500FBP07 formerly supplied on 50-100 ampere ratings.	100FBP06

Refer to CAT.71.01.T.E for complete application information.

**Current Limiter Housing Assembly Complete with Current Limiter**

Ampere Rating	Poles	Style Number
15-100	2	176C593G09
15-100	3	176C593G10

**Type LA Tri-Pac Thermal-Magnetic Circuit Breakers**

70 to 400 Amperes, 600 Volts Ac, 250 Volts Dc, 2-, 3-Pole, Interchangeable Trip, Replaceable Current Limiters



Type Tri-Pac LA Breaker

**Dimensions / Weights**

**Dimensions, Inches**

Number of Poles	Width	Height	Depth
2-3	8.25 (209.56)	16 (406.40)	4.75 (113.54)

**Approximate Shipping Weight, Lbs. (kg)**

Breaker	Complete Breaker		Frame Only		Trip Unit	
	2-Pole	3-Pole	2-Pole	3-Pole	2-Pole	3-Pole
Tri-Pac LA	29.75	34	23.5	25	2.25	3

**Listed with Underwriters Laboratories, Inc. except as noted.**

Tri-Pac LA breakers meet the requirements for Class 16a, 16b, 17a and 26a circuit breakers as defined in Federal Specification W-C-375b.

**Interrupting Capacity Ratings**

**Underwriters Laboratories, Inc. Listed**

600 Volts Ac Maximum: 200,000 Amperes Symmetrical

**Based on NEMA Test Procedures**

250 Volts Dc Maximum: 100,000 Amperes.

On all 3-phase Delta, Ground B phase applications, refer to Cutler-Hammer.

Continu-ous Ampere Rating @40°C	Magnetic Trip Setting Amperes <sup>④</sup>		Complete Breaker	Shipped as Frame, Trip Units, Limiters and Terminals <sup>⑤</sup>		
	Low	High	Includes Pressure Type Copper Terminals <sup>⑤</sup>	Frame Only	Trip Unit Only	Current Limiter 1 Required per Pole
			Catalog Number			

**2 Poles, 600 Volts Ac, 250 Volts Dc<sup>⑥</sup>**

70	350	700	LA2070PR	LA2400PRF	LA2070PT	200LAP08
90	450	900	LA2090PR	LA2400PRF	LA2090PT	200LAP08
100	500	1000	LA2100PR	LA2400PRF	LA2100PT	200LAP08
125	625	1250	LA2125PR	LA2400PRF	LA2125PT	200LAP08
150	750	1500	LA2150PR	LA2400PRF	LA2150PT	200LAP08
175	875	1750	LA2175PR	LA2400PRF	LA2175PT	200LAP08
200	1000	2000	LA2200PR	LA2400PRF	LA2200PT	200LAP08
225	1125	2250	LA2225PR	LA2400PRF	LA2225PT	400LAP10
250	1250	2500	LA2250PR	LA2400PRF	LA2250PT	400LAP10
300	1500	3000	LA2300PR	LA2400PRF	LA2300PT	400LAP10
350	1750	3500	LA2350PR	LA2400PRF	LA2350PT	400LAP10
400	2000	4000	LA2400PR	LA2400PRF	LA2400PT	400LAP10

**3 Poles, 600 Volts Ac, 250 Volts Dc**

70	350	700	LA3070PR	LA3400PRF	LA3070PT	200LAP08
90	450	900	LA3090PR	LA3400PRF	LA3090PT	200LAP08
100	500	1000	LA3100PR	LA3400PRF	LA3100PT	200LAP08
125	625	1250	LA3125PR	LA3400PRF	LA3125PT	200LAP08
150	750	1500	LA3150PR	LA3400PRF	LA3150PT	200LAP08
175	875	1750	LA3175PR	LA3400PRF	LA3175PT	200LAP08
200	1000	2000	LA3200PR	LA3400PRF	LA3200PT	200LAP08
225	1125	2250	LA3225PR	LA3400PRF	LA3225PT	400LAP10
250	1250	2500	LA3250PR	LA3400PRF	LA3250PT	400LAP10
300	1500	3000	LA3300PR	LA3400PRF	LA3300PT	400LAP10
350	1750	3500	LA3350PR	LA3400PRF	LA3350PT	400LAP10
400	2000	4000	LA3400PR	LA3400PRF	LA3400PT	400LAP10

Instruction Leaflet/FRED Number 14551 for Trip Unit and Fuse

**Current Limiters**

Included with breaker, one required per pole.

Application	Catalog Number
Supplied as standard on ratings through 200 amperes.	200LAP08
Supplied as standard on 225 through 400 ampere ratings, optional on lower ratings when a higher "cross-over point" is desired. (Above two limiters replace 800LAP12 formerly supplied as standard on all ratings, 600LAP09 optional on all ratings through 300 amperes, 300LAP05 optional on ratings through 150 amperes, and special rating limiter 1000LAP14.)	400LAP10
Special rating where a higher "cross-over point" is desired on 200 ampere and higher ratings (Replaces limiter 1500LAP20)	500LAP15 ②③

- ① New limiters suitable for replacement in existing breakers by using plug-in conductor from old limiter (instructions included with limiter). Instruction Leaflet/FRED Number 14824
- ② Not listed with Underwriters Laboratories, Inc.
- ③ Protection based on 100,000 ampere maximum fault, 480 volts maximum.
- ④ Set on high side, adjustable to lower limits.

**Terminals<sup>⑤</sup>**

Two terminals are required per pole. Terminals are Underwriters Laboratories, Inc. listed for wire size and type listed below. When used with aluminum conductors, use joint compound. To order optional aluminum terminals, add suffix "Z" to complete breaker catalog number.

Maximum Breaker Amperes	Wire Range, Type, Number of Cables	Terminal Catalog Number
-------------------------	------------------------------------	-------------------------

**Standard Copper Pressure Terminals**

225	1 #6-350 kcmil Cu	T225LA
225 <sup>⑦</sup>	1 #6-250 kcmil Cu	T225LBF
400	1 #4-250 kcmil Cu, plus 1 3/0-600 kcmil Cu	T401LA

**Optional Al/Cu Pressure Terminals**

225	1 #6-350 kcmil Cu, or 1 #4-350 kcmil Cu/Al	TA225LA1
400	1 #4-250 kcmil Al/Cu, plus 1 3/0-600 kcmil Al/Cu	TA400LA1

Instruction Leaflet/FRED Number 13732

- ⑤ Terminals shipped separately from breakers.
- ⑥ 2-pole breakers or trips are supplied in 3-pole frames with current carrying parts omitted from the center pole.
- ⑦ Optional terminal.

**Type NB Tri-Pac Thermal-Magnetic Circuit Breakers**

300 to 800 Amperes, 600 Volts Ac, 250 Volts Dc<sup>①</sup>, 2-, 3-Pole, Interchangeable Trip, Replaceable Current Limiters



Type Tri-Pac NB Breaker

**Dimensions / Weights**

**Dimensions, Inches**

Number of Poles	Width	Height	Depth
2-3	8.25 (209.56)	22 (558.80)	5.5 (139.70)

**Approximate Shipping Weight, Lbs. (kg)**

Breaker	Complete Breaker		Frame Only		Trip Unit	
	2-Pole	3-Pole	2-Pole	3-Pole	2-Pole	3-Pole
Tri-Pac NB	62	75	58	65	3.5	4

Listed with Underwriters Laboratories, Inc. except as noted.

Tri-Pac NB breakers meet the requirements for Class 16b, 17a and 26a circuit breakers as defined in Federal Specification W-C-375b.

Continu- ous Ampere Rating @40°C	Magnetic Trip Setting Amperes <sup>④</sup>		Complete Breaker	Shipped as Frame, Trip Units, Limiters and Terminals		
	Low	High	Includes Pressure Type Copper Terminals <sup>⑤</sup>	Frame Only	Trip Unit Only	Current Limiter 1 Required per Pole
			Catalog Number			

**2 Poles, 600 Volts Ac, 250 Volts Dc<sup>①③</sup>**

300	1500	3000	NB2300P	NB2800PF	NB2300PT	500NB12
350	1750	3500	NB2350P	NB2800PF	NB2350PT	500NB12
400 <sup>④</sup>	2000	4000	NB2400P	NB2800PF	NB2400PT	500NB12
500 <sup>④</sup>	2500	5000	NB2500P	NB2800PF	NB2500PT	500NB12
600 <sup>④</sup>	3000	6000	NB2600P	NB2800PF	NB2600PT	800NB20
700 <sup>④</sup>	3000	6000	NB2700P	NB2800PF	NB2700PT	800NB20
800 <sup>④</sup>	3000	6000	NB2800P	NB2800PF	NB2800PT	800NB20

**3 Poles, 600 Volts Ac Only**

300	1500	3000	NB3300P	NB3800PF	NB3300PT	500NB12
350	1750	3500	NB3350P	NB3800PF	NB3350PT	500NB12
400 <sup>④</sup>	2000	4000	NB3400P	NB3800PF	NB3400PT	500NB12
500 <sup>④</sup>	2500	5000	NB3500P	NB3800PF	NB3500PT	500NB12
600 <sup>④</sup>	3000	6000	NB3600P	NB3800PF	NB3600PT	800NB20
700 <sup>④</sup>	3000	6000	NB3700P	NB3800PF	NB3700PT	800NB20
800 <sup>④</sup>	3000	6000	NB3800P	NB3800PF	NB3800PT	800NB20

Instruction Leaflet/FRED Number 13771 for Trip Unit and Fuse

**Interrupting Capacity Ratings**

Underwriters Laboratories, Inc. Listed

600 Volts Ac Maximum: 200,000 Amperes Symmetrical

**Based on NEMA Test Procedures**

250 Volts Dc Maximum<sup>①</sup>: 100,000 Amperes.

On all 3-phase Delta, Grounded B phase applications, refer to Cutler-Hammer.

**Current Limiters**

Included with breaker, one required per pole.

Application	Catalog Number
Supplied as standard on ratings through 500 amperes.	500NB12
Supplied as standard on 600 through 800 ampere ratings, optional on lower ratings when a higher "cross-over point" is desired.	800NB20
Above two limiters replace 1000NB14 formerly supplied on ratings up to 600 amperes, 1500NB20 supplied on 700 amperes, and 2500NB25 supplied on 800 amperes.	

**Terminals<sup>②</sup>**

Two terminals are required per pole. Terminals are Underwriters Laboratories, Inc. listed for wire size and type listed below. When used with aluminum conductors, use joint compound. To order optional aluminum terminals, add suffix "Z" to complete breaker catalog number.

Maximum Ampere Rating	Wire Range, Type, Number of Cables	Terminal Catalog Number
350	1 #1-600 kcmil Cu	T350NB
700	2 2/0-500 kcmil Cu	T700NB1
800	3 3/0-500 kcmil Cu	T1000NB1

**Standard Copper Pressure Terminals**

350	1 #1-600 kcmil Cu	T350NB
700	2 2/0-500 kcmil Cu	T700NB1
800	3 3/0-500 kcmil Cu	T1000NB1

**Optional Al/Cu Pressure Terminals**

700	2 #1-500 kcmil Al/Cu	TA700NB1
800	3 3/0-400 kcmil Al/Cu	TA1000NB1
800	3 500-750 kcmil Al/Cu	TA1201NB1

① Dc rating applies to 350 amperes maximum thermal or to magnetic only breakers.  
 ② Shipped separately from breaker  
 ③ 2-pole breakers or trips are supplied in 3-pole frames with current carrying parts omitted from the center pole.  
 ④ 60 Hz Ac only.

**Type PB Tri-Pac Thermal-Magnetic Circuit Breakers**

600 to 1600 Amperes, 600 Volts Ac, 60 Hertz Ac<sup>①</sup>, 250 Volts Dc<sup>②</sup>, 2-, 3- Poles Interchangeable Trip, Replaceable Current Limiters



Type Tri-Pac PB Breaker

**Dimensions / Weights**

**Dimensions, Inches**

Number of Poles	Width	Height	Depth
2-3	12.0625 (306.39)	22.125 (561.98)	9.0625 (230.19)

**Approximate Shipping Weight, Lbs. (kg)**

Breaker	Complete Breaker		Frame Only		Trip Unit	
	2-Pole	3-Pole	2-Pole	3-Pole	2-Pole	3-Pole
Tri-Pac PB	148	179	106	120	18	23

**Listed with Underwriters Laboratories, Inc. except as noted.**

Tri-Pac PB breakers meet the requirements for Class 17a and 26a circuit breakers as defined in Federal Specification W-C-375b.

**Interrupting Capacity Ratings Underwriters Laboratories, Inc. Listed**

600 Volts Ac Maximum: 200,000 Amperes Symmetrical

**Based on NEMA Test Procedures**

250 Volts Dc<sup>②</sup>: 100,000 Amperes.

On all 3-phase Delta, Grounded B phase applications, refer to Cutler-Hammer.

Continu- ous Ampere Rating @40°C	Ac Magnetic Trip Set- ting (Set on High Side, Adjustable to Lower Limits)		Complete Breaker Includes Rear "T" Connectors <sup>⑤</sup>	Shipped as Frame, Trip Unit Current Limiters and Connectors		
	Low	High	Catalog Number	Frame Only	Trip Unit Only <sup>④</sup>	Current Limiter 1 Required per Pole

**2 Poles, 600 Volts Ac<sup>⑤</sup>**

600	1500	5000	PB2600PR	PB21600PRF	PB2600PRT	1000PBPR20
700	1500	5000	PB2700PR	PB21600PRF	PB2700PRT	1000PBPR20
800	1500	5000	PB2800PR	PB21600PRF	PB2800PRT	1000PBPR20
900	1500	5000	PB2900PR	PB21600PRF	PB2900PRT	1000PBPR20
1000	1500	5000	PB21000PR	PB21600PRF	PB21000PRT	1000PBPR20
1200	2000	6000	PB21200PR	PB21600PRF	PB21200PRT	1600PBPR30
1400	2500	7000	PB21400PR	PB21600PRF	PB21400PRT	1600PBPR30
1600	3000	8000	PB21600PR	PB21600PRF	PB21600PRT	1600PBPR30

**3 Poles, 600 Volts Ac Only**

600	1500	5000	PB3600PR	PB31600PRF	PB3600PRT	1000PBPR20
700	1500	5000	PB3700PR	PB31600PRF	PB3700PRT	1000PBPR20
800	1500	5000	PB3800PR	PB31600PRF	PB3800PRT	1000PBPR20
900	1500	5000	PB3900PR	PB31600PRF	PB3900PRT	1000PBPR20
1000	1500	5000	PB31000PR	PB31600PRF	PB31000PRT	1000PBPR20
1200	2000	6000	PB31200PR	PB31600PRF	PB31200PRT	1600PBPR30
1400	2500	7000	PB31400PR	PB31600PRF	PB31400PRT	1600PBPR30
1600	3000	8000	PB31600PR	PB31600PRF	PB31600PRT	1600PBPR30

**Current Limiters**

Included with breaker, one required per pole.

Application	Catalog Number
Supplied as standard on ratings through 1000 amperes. (Replaces limiter 1500PBPR30 formerly supplied on 600 and 700 ampere ratings, and 3000 PBPR27 supplied on 800-1000 ampere ratings.	1000PBPR20
Supplied as standard on 1200 through 1600 ampere ratings. Optional on lower ratings where a higher "cross-over point" is desired. (Replaces limiter 4000PBPR30 formerly supplied on 1200 through 1400 ampere ratings, and 5000PBPR42 supplied on 1600 ampere ratings.	1600PBPR30

**Bus Bar Connectors<sup>⑥</sup>**

**"T" Connector for Cu/Al Bus**

Two required per pole. For rear bus connection. Accepts up to four bus bolts. May be rotated 90°



Catalog Number
BA2000B

**Cable Connector (Optional)**

For "T" connector. Accepts four 600 kcmil copper cables.



Style Number
505C706G04

**Special Breakers<sup>⑥</sup>**

**Magnetic Only Type Tri-Pacs:**

Available on request.

- ① Higher frequency calibration not available. Minimum of 50 Hz calibration available on special order.
- ② 250 volts Dc rating applies only to magnetic only breakers.
- ③ Shipped separately from breaker.

- ④ Magnetic only trip units are available. Order by description.
- ⑤ 2-pole breakers are supplied in 3-pole frames with current carrying parts omitted from center pole.
- ⑥ Not listed with Underwriters Laboratories, Inc.



### Alarm Switch

For light or alarm indication when breaker trips. Does not function with manual operation. Automatically resets when breaker is related. Standard leads extend 18 inches outside of breaker. Longer leads may be specified. Not field mountable.

Breaker Frame	Normal Pole Meeting	Contact Operation (Specific Type Desired)
FCL	Center	Make or Break
LA Tri-Pac	Left	Make or Break
NB Tri-Pac	Left	Make or Break
PB Tri-Pac	Left	Make or Break
LCL	Left <sup>①</sup>	Make or Break

Alarm Switch Contact Rating (Non Inductive) LA Tri-Pac: 10 amperes, 120 volt Ac; 5A, 240 volt Ac.

### Auxiliary Switch<sup>②</sup>

For auxiliary control circuits. Miniature switches mount within breaker. Commonly used for remote indication of open or closed breaker and electrically interlocking component control circuits. "A" contacts are closed when breaker is closed. "B" contacts are open when breaker is closed. Standard leads extend 18 inches outside of breaker. Longer leads may be specified.



### Auxiliary Switch Attachment Kits for Field Mounting<sup>③④</sup>

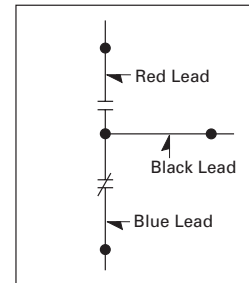
Breaker Type	For Right-Hand Mounting		For Left-Hand Mounting		Maximum Ac Voltage Rating <sup>⑤</sup>	Maximum Non-Inductive Amperes
	1A-1B	2A-2B	1A-1B	2A-2B		
Style Number						
FCL	1369D79G03	-	1369D79G03	-	240	5
NB Tri-Pac	4980D16G05	4980D16G06	4980D16G12	4980D16G13	480	10
PB Tri-Pac	2602D32G14	2602D32G15	2602D32G11	2602D32G12	480	10
LCL	-	-	1372D49G03	1372D49G06	480	6 (10@240)

Instruction Leaflet/FRED Number 14535 NB Tri-Pac; 14534 PB Tri-Pac; 15279 LCL

### Factory Mounted Auxiliary Switches<sup>②</sup>

All of the above auxiliary switches can be specified for factory mounting at the same price as listed for the kit. These attachments have the leads out the side of the breaker and are UL listed when factory mounted unless other non UL listed modifications are used (except as noted).

Factory mounted switches only can be supplied for the following breakers: FB Tri-Pac<sup>®</sup>, LA Tri-Pac. Order by description.



- ① When alarm switch is used in conjunction with auxiliary switch, the auxiliary switch is rated 250 volts max., 5 amperes maximum.
- ② Left-hand mounting is standard unless otherwise specified.
- ③ All switches are multiples of 1A-1B with a common electrical connection (See diagram above).
- ④ Field mounting voids UL listing of breaker except on NB Tri-Pac and PB Tri-Pac breakers.
- ⑤ For Dc applications refer to factory.
- ⑥ Right-hand mounting only.

Shunt Trip



For tripping breaker from a remote point. A solenoid device mounts within breaker case. Breaker trips when coil is energized.

Shunt trips should not be used as circuit interlocks using maintained contact pilot devices.

A cutoff switch breaks the circuit to the momentary rated coil when breaker opens. Available for control voltages up to 250 volts Dc or 600 volts Ac. Voltage and frequency must be specified. Standard leads extend 18 inches outside of breaker. Longer leads may be specified.

Shunt Trip for Field Mounting<sup>①②③</sup>

Voltage/Hz	Breaker Type					
	Right-Hand Mounting			Left-Hand Mounting		
	FCL	NB Tri-Pac	PB Tri-Pac	FCL	NB Tri-Pac	PB Tri-Pac
Style Number						
600/50-60 Hz	1369D80G15	2606D58G15	2606D58G15	1369D80G01	2606D58G01	2606D58G01
480/50-60 Hz	1369D80G16	2606D58G16	2606D58G16	1369D80G02	2606D58G02	2606D58G02
240/50-60 Hz	1369D80G17	2606D58G17	2606D58G17	1369D80G03	2606D58G03	2606D58G03
208/50-60 Hz	1369D80G18	2606D58G18	2606D58G18	1369D80G04	2606D58G04	2606D58G04
120/50-60 Hz	1369D80G19	2606D58G19	2606D58G19	1369D80G05	2606D58G05	2606D58G05
60/50-60 Hz	1369D80G20	2606D58G20	2606D58G20	1369D80G06	2606D58G06	2606D58G06
48/50-60 Hz	1369D80G21	2606D58G21	2606D58G21	1369D80G07	2606D58G07	2606D58G07
24/50-60 Hz	1369D80G22	2606D58G22	2606D58G22	1369D80G08	2606D58G08	2606D58G08
250 Dc	1369D80G23	2606D58G23	2606D58G23	1369D80G09	2606D58G09	2606D58G09
125 Dc	1369D80G24	2606D58G24	2606D58G24	1369D80G10	2606D58G10	2606D58G10
60 Dc	1369D80G25	2606D58G25	2606D58G25	1369D80G11	2606D58G11	2606D58G11
48 Dc	1369D80G26	2606D58G26	2606D58G26	1369D80G12	2606D58G12	2606D58G12
24 Dc	1369D80G27	2606D58G27	2606D58G27	1369D80G13	2606D58G13	2606D58G13
12 Dc	1369D80G28	2606D58G28	2606D58G28	1369D80G14	2606D58G14	2606D58G14

Instruction Leaflet/FRED Numbers  
 15194      14919      14940      15194      14919      14940

Factory mounted shunt trips only can be supplied for FB Tri-Pac<sup>④⑤</sup> and LA Tri-Pac breakers. Order by description.

Left-Hand Mounting Kits for Type LCL Current Limiting Breakers<sup>⑥</sup>

Provision to trip flux transfer shunt trip from external 32 to 120 volt (Dc to 60 Hz) source. <sup>⑦⑧</sup>	Style Number
	1372D49G22
Provision to trip flux transfer shunt trip from external 240 to 600 volt (50/60 Hz) source. <sup>⑧⑨</sup>	1372D49G32

Instruction Leaflet/FRED Number 15279

Shunt Trip Coil Data for Type LCL Current Limiting Breakers

Shunt Trip Voltage Rating	Coil Inrush	
	Amperes	Volt-Amperes
120 Ac	.15	18

- ① 120 volt Ac ratings suitable for 55% pickup for ground fault applications.
- ② Not field mountable on non-automatic breakers (MCS).
- ③ Field mounting voids breakers' UL listing except on NB Tri-Pac and PB Tri-Pac.
- ④ Right-hand mounting only.
- ⑤ Not UL listed.
- ⑥ UL listing pending. Refer to Cutler-Hammer.
- ⑦ Rated 48 volts minimum for ground fault applications.
- ⑧ Also available factory mounted for 24 volt Dc. Order by description.
- ⑨ Not for ground fault.

**Standard Undervoltage Release<sup>①</sup>**



For undervoltage protection. A solenoid device mounts within breaker case. Coil must be energized before closing breaker. Trips breaker when voltage drops below 40 to 60% of coil rating. Picks up and seals in at 80% of coil rating. For line voltages up to 250 volts Dc or 600 volts Ac. Externally mounted resistors are supplied for certain ratings. Standard leads extend 18 inches outside of breaker. Longer leads may be specified.

**Note:** U.V.R. attachments are not designed for, and should not be used as, circuit interlocks. For further information, refer to Cutler-Hammer.

**Factory Mounted Undervoltage Releases<sup>②</sup>**

NB Tri-Pac and PB Tri-Pac undervoltage releases can be specified for factory mounting at the same price as the kit. These attachments have the leads out the side and are UL listed when factory mounted unless other non-UL listed modifications are used.

Factory mounted undervoltage releases only can be supplied for the following breakers: FB Tri-Pac<sup>③</sup>, LA Tri-Pac and FCL; LCL 120 Volts Ac only.<sup>④</sup> Order by description.

**Undervoltage Release Attachment Kits for Field Mounting<sup>⑤⑥</sup>**

Attachment Voltage, Hz	Breaker Type			
	For Right-Hand Mounting		For Left-Hand Mounting	
	NB Tri-Pac	PB Tri-Pac	NB Tri-Pac	PB Tri-Pac
Style Number				
24 60	—	—	—	—
48 60	—	5674D29G16	—	5674D29G08
120 60	373D632G01	5674D29G09	373D632G05	5674D29G01
208 60	373D632G19	5674D29G10	373D632G20	5674D29G02
240 60	373D632G02	5674D29G11	373D632G06	5674D29G03
480 60	373D632G03	5674D29G13	373D632G07	5674D29G05
600 60	373D632G04	5674D29G14	373D632G08	5674D29G06
12 Dc	372D032G01	4976D85G01	372D032G06	4976D85G11
24 Dc	372D032G02	4976D85G02	372D032G07	4976D85G12
48 Dc	372D032G03	4976D85G03	372D032G08	4976D85G13
60 Dc	—	4976D85G04	—	4976D85G14
125 Dc	372D032G04	4976D85G07	372D032G09	4976D85G17
250 Dc	372D032G05	4976D85G08	372D032G10	4976D85G18

Instruction Leaflet/FRED Number	14961	13231	14961	13231
---------------------------------	-------	-------	-------	-------

**Undervoltage Release Coil Data**

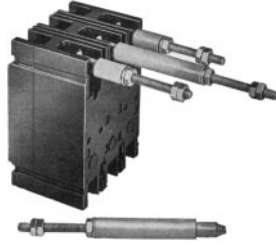
Voltage Rating, Hz	Breaker Type				
	FB Tri-Pac			LCL	
	Coil Amperes	Series Resistance (Ohms)	Total VA	Coil Amperes	Total VA
600 Ac	0.020	25,000	12.0	—	—
480 Ac	0.016	25,000	7.7	—	—
240 Ac	0.021	6,000	5.1	—	—
208 Ac	0.019	6,000	4.0	—	—
120 Ac	0.023	—	2.8	.05	6
60 Ac	0.203	250	12.2	—	—
48 Ac	0.245	150	11.8	—	—
24 Ac	0.250	50	6.0	—	—
250 Ac	0.026	5,000	6.5	—	—
125 Ac	0.026	—	3.3	—	—
60 Ac	0.248	200	14.9	—	—
48 Ac	0.260	150	12.5	—	—
24 Ac	0.141	—	3.4	—	—
12 Ac	0.286	—	3.5	—	—

Voltage Rating, Hz	Breaker Type					
	LA Tri-Pac, PB Tri-Pac			NB Tri-Pac		
	Coil Amperes	External Series Resistance (Ohms)	Total VA	Coil Amperes	External Series Resistance (Ohms)	Total VA
600 Ac	0.029	20,000	17.4	0.016	35,000	9.6
480 Ac	0.014	—	6.8	0.013	30,000	6.3
240 Ac	0.036	—	8.7	0.013	—	3.2
208 Ac	0.036	—	7.5	0.018	—	3.8
120 Ac	0.073	—	8.8	0.023	—	2.8
48 Ac	0.152	—	7.3	—	—	—
250 Dc	0.035	5,000	8.8	0.013	16,500	3.3
125 Dc	0.039	1,500	4.9	0.013	6,500	1.7
60 Dc	0.034	—	2.1	—	—	—
48 Dc	0.040	—	2.0	0.012	600	0.6
24 Dc	0.069	—	1.7	0.023	—	0.6
12 Dc	0.136	—	1.7	0.048	—	0.6

① Not UL listed.  
 ② Right-hand mounting considered standard unless specified otherwise.  
 ③ Right-hand mounting only.  
 ④ UL listing pending.  
 ⑤ Not field mountable on nonautomatic breakers (Molded case switches).  
 ⑥ Field mounting voids UL listing of breaker except on NB Tri-Pac and PB Tri-Pac.



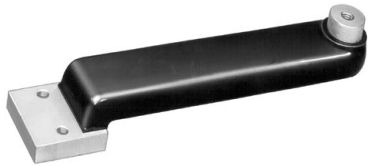
Rear Connected Studs<sup>①</sup>



For complete stud assembly, order a stud and appropriate tube based on thickness of customer's mounting panel. A short stud must be assembled adjacent to a long stud to maintain clearances required by Underwriters Laboratories, Inc.<sup>②</sup> Two studs are required per pole.

Panelboard Connecting  
Staps<sup>①</sup>

For connecting line end of breakers to panelboard bus.



Ampere Rating	Connector Type	Style Number
---------------	----------------	--------------

Power Panelboards (Convertible) Tri-Pac FB and FCL Breakers Bus Spacing 3/2-inch		
50	Center	1253C72G01
50	Outside	1253C72G02
100	Center	1253C73G03
100	Outside	1253C73G04
150	Center	1253C73G01
150	Outside	1253C73G02
3-Pole Mounting Bracket		624B600H01
2-Pole Mounting Bracket		624B600H02

LCL Breakers Bus Spacing 3/2-inch		
400	Short	1275C85G01
400	Medium	1275C85G02
400	Long	1275C85G03
Mtg. Bracket Kit (1 Req'd)		751B044G01

- ① Not Underwriters Laboratories, Inc. listed.
- ② 400 ampere LA studs of the same length have sufficient clearance; however, customer connections may make it necessary to use a short stud adjacent to a long stud.
- ③ Included at no charge when ordered with stud.
- ④ 150, 250, 300 and 400 ampere frames only.
- ⑤ These plug-in adapter kits are UL listed as recognized components.

Mounting Panel Thickness, Inches	Stud		Tube <sup>③</sup>	
	Length	Style Number	Length	Style Number

FCL and FB Tri-Pac Breakers

1	Short	451D874G01	1 1/16	32B9446H20
	Long	451D874G02	3 7/16	32B9446H24
1 1/16 - 1 5/16	Short	451D874G01	1 3/8	32B9446H21
	Long	451D874G02	3 3/4	32B9446H25
3/8 - 5/8	Short	451D874G01	1 11/16	32B9446H22
	Long	451D874G02	4 1/16	32B9446H26
1/4 - 5/16	Short	451D874G01	2	32B9446H23
	Long	451D874G02	4 3/8	32B9446H27

Stud Ampere Rating	Diameter, Inches and Thread	Extension Back of Breaker, Inches	Stud Style Number
--------------------	-----------------------------	-----------------------------------	-------------------

LCL, LA Tri-Pac Breakers

400 <sup>④</sup>	3/4 - 16	5 1/2	05B7383G15
400 <sup>④</sup>	3/4 - 16	7 3/2	05B7383G16
400 <sup>④</sup>	3/4 - 16	10 1/2	05B7383G17

NB Tri-Pac Breakers

450	1 1/2 - 12	5 1/2	623B222G01
450	1 1/2 - 12	8	623B222G02
450	1 1/2 - 12	10 1/2	623B222G03
800	1 1/4 - 12	5 1/2	623B375G04
800	1 1/4 - 12	10 1/2	623B375G03

Plug-in Adapter Kits



For rear connected applications such as switchboards. Facilitates ease of installation and front removal of breaker. Includes conductor for mounting on breaker, plug-in mounting blocks with matching conductor, rear studs and mounting hardware. Order two mounting blocks style number when line and load are required; order one mounting block style number when either line or load is required.

Description	Style Number
-------------	--------------

FB Tri-Pac and FCL Breakers<sup>⑤</sup>

1 Mounting Block, Line or Load	
2-Pole, 100 Ampere	507C036G05
2-Pole, 150 Ampere	507C036G06
3-Pole, 100 Ampere	507C036G03
3-Pole, 150 Ampere	507C036G04

Instruction Leaflet/FRED Number 13782

LCL Breakers

2 Mounting Blocks, Line and Load	
2-Pole	313C644G25
3-Pole	313C644G26
1 Mounting Block, Line and Load	
2-Pole	450D010G15
3-Pole	450D010G16

Instruction Leaflet/FRED Number 15329

NB Tri-Pac Breakers<sup>①</sup>

1 Mounting Block, Line or Load	
NB Tri-Pac, 2 Poles	2614D53G03
NB Tri-Pac, 3 Poles	2614D53G04

Instruction Leaflet/FRED Number 15073

Tri-Pac LA Breakers<sup>①</sup>

2 Mounting Blocks, Line and Load	
2-Pole	313C644G41
3-Pole	313C644G42
1 Mounting Block, Line Only	
2-Pole	450D010G17
3-Pole	450D010G19
1 Mounting Block, Load Only	
2-Pole	450D010G18
3-Pole	450D010G20

**Mounting Block for NB Tri-Pac Breakers<sup>①</sup>**

Ampere Rating	Number of Poles	Style Number
<b>NB Tri-Pac</b>		
800	2	4990D16G04
800	3	4990D16G03

**Extended Line Terminal Shields<sup>①</sup>**



For shielding line side terminal connections. One shield required per breaker. Order separately when needed. Sold only in lots of 10, including hardware.

Breaker Frame	Style Number
FB Tri-Pac, FCL	625B229G01
LA Tri-Pac	314C420G05
NB Tri-Pac	208B996G02

**Base Mounting Hardware**

Order separately when needed.

Breaker Frame	Style Number
FB Tri-Pac, FCL	21C6782G18
LA Tri-Pac	1614613
NB Tri-Pac	1091716
PB Tri-Pac	624375G22

**Moisture-Fungus-Corrosion Treatment<sup>②</sup>**

Treatment can be provided to meet customer's specific atmospheric conditions. Moisture-fungus treating material used meets JAN-T-152; treatment meets MIL-V-173a. Requests and orders should specify government specifications or conditions to be met.

① Not Underwriters Laboratories, Inc. listed. Insulated base with front removeable bolted connection.  
② Included with frame

**Handle Locks<sup>①</sup>**



**Non-Padlockable**

For prevention of unintentional operation of breaker. Fits over breaker handle and may be removed.

**Padlockable**

For prevention of unauthorized operation of breaker. Is non-removable once installed on breaker. Meets Underwriters Laboratories, Inc. and California Code requirements.

**Note:** All breakers are trip free and will trip with handle locks attached. Cannot be used when handle extension is used.

Breaker Frame	Style Number
<b>Non-Padlockable</b>	
FB Tri-Pac	29B2721H01
LA Tri-Pac	1720101
NB Tri-Pac	1720101

Breaker Frame	Style Number
<b>Padlockable</b>	
FB Tri-Pac	765A754G01
LA Tri-Pac	373B591G02

**Handle Extension**

Breaker Frame	Style Number
LA Tri-Pac	372B399G01
NB Tri-Pac	1251C65G01
PB Tri-Pac <sup>②</sup>	315C882G01

③ Not UL listed.  
④ Not available on drawout breakers.  
⑤ Not available for FCL or LCL breakers.  
⑥ Not available on motor operated breakers.

**Kirk Key Interlock<sup>⑤</sup>**



Availability: FB, LA, NB, PB Tri-Pacs.

Permits interlocking of two breakers or one breaker with other devices. Before breaker can be closed, key must be inserted and turned in breaker interlock. Breaker must be opened before key can be removed. It can then be inserted in interlock or other devices to permit their closure. Requests and orders should completely outline interlocking scheme, ultimate user and his address.

**Mechanical Interlocks<sup>②</sup>**



For mechanically interlocking a pair of breakers so that only one may be closed at one time, but both may be open simultaneously.

**Walking Beam Type<sup>②③④</sup>**

Mounts on panel (not included) at rear of breaker. Standard breaker spacing: LA Tri-Pac, NB Tri-Pac: 8-1/2 inches center to center; FB Tri-Pac: 4-3/8 inches center to center; PB Tri-Pac: 12-1/4 inches center to center. Order as a set of two special factory drilled breakers and one walking beam interlock. Specify breaker type, panel thickness and center-to-center dimension of breakers.

**Sliding Bar Type (Field Mountable)<sup>②⑤</sup>**



Mounts on panel (not included) fitting over front of breakers. Standard breaker spacing: LA Tri-Pac, NB Tri-Pac: 8-1/2 inches; FB Tri-Pac: 4-3/16 inches center to center.

### Motor Operators<sup>①</sup>

Motor operators provide complete remote control by means of a push-button or similar pilot device<sup>②</sup>. Positive switching action is accomplished by use of an operating arm engaging the breaker handle. The unit is energized momentarily to actuate the lever arm moving it to either the "ON" or "OFF" position. The control is broken by an internal cutoff switch. Means for emergency manual operation is provided.

Motor operators are available with motors rated 120 volts Ac, 208 volts Ac, and 240 volts Ac.

The 480 volt operators utilize a 120 volt Ac motor in conjunction with a 480/240 to 120 volt dual voltage transformer. (On LA and larger operators, the transformer is supplied for separate mounting by the customer.)

**Note:** The motor operator is intended only for infrequent operation in line with Underwriters Laboratories, Inc. endurance standard for AB molded case breakers.



For FB Tri-Pac/FCL Breakers



For LA Tri-Pac Breakers



For NB Tri-Pac Breakers



For PB Tri-Pac Breakers

### Motor Operator Selection

Type Breaker	Ac Voltage				Dc Voltage	
	120	208	240	480	125	24
	Style Number					
FCL	656D148G15	656D148G10	656D148G17	656D148G17	-	-
LCL	5664D54G83	5664D54G86	5664D54G84	5664D54G85	5664D54G77	5664D54G88
FB Tri-Pac	656D148G11	656D148G04	656D148G13	656D148G13	-	-
LA Tri-Pac	2607D97G22	2607D97G25	2607D97G23	2607D97G24	2607D97G44	-
NB Tri-Pac	5664D54G65	5664D54G68	5664D54G66	5664D54G67	5664D54G82	-
PB Tri-Pac	5661D52G01	5661D52G04	5661D52G02	5661D52G03	5661D52G17	-

Instruction Leaflet/FRED Number 13148 FCL; 15334 LCL; 13148 FB Tri-Pac; 15533 LA Tri-Pac; 15534 NB Tri-Pac; 14444 PB Tri-Pac

### Back Mounting Plates

Type Breaker	120, 208, 240, 480 Volts Ac
	Style Number
FB-P/FCL	1282C01G01

### Motor Data

Type Breaker	Motor	Hp.	Inrush Current, Ampere (Peak)			Continuous Current (RMS)			Operating Time, Open or Close
			120 Volts	208 Volts	240 Volts	120 Volts	208 Volts	240 Volts	
FB Tri-Pac	Split Phase	1/75	10	4	5	2.3	1.17	1.65	1.5 Seconds
LA Tri-Pac	Reversing	-	8	5	4	-	-	-	12 Cycles
NB Tri-Pac	Reversing	-	11	7	6	-	-	-	12 Cycles
PB Tri-Pac	Reversing	-	20	12	11	-	-	-	10 Cycles

① Ac voltage rated operators are UL listed as recognized components.

② The pilot device must be maintained contact type for FB Tri-Pac, FCL, mechanisms; momentary contact type for all others.

**Drawout Frame**



These drawout frames are for use with standard 3-pole Cutler-Hammer molded case circuit breakers. They consist of two separate parts; stationary mounting frame and movable carrier frame. Slide rails are drawer-type, and a screw mechanism is used to engage or withdraw the movable carrier frame.

The drawout frames have three positions: connected, test and disconnected. The frames do not include a safety tripping interlock, or secondary contacts. These are optional items and may be ordered at additional cost.

Breakers mounted in the drawout frames can be equipped with standard breaker accessories including shunt trip, undervoltage release, auxiliary switch, alarm switch and motor operator.

**Secondary Contacts**

These are used to disconnect auxiliary circuits when attachments such as shunt trip or motor operator are used. Available in multiples of four contacts with a maximum of 32 contacts for the NB Tri-Pac. They must be factory mounted. Order by description as similar to stationary or moving frame and specify number of contacts required.

**Selection Data**

Breaker Type <sup>①</sup>	Stationary Mounting Frame Style Number	Movable Carrier Frame Style Number
NB Tri-Pac	2603D85G09	2608D34G12

**Standard Installation**

Order one stationary mounting frame and one movable carrier frame.

Order breakers without terminals or rear connectors.

Order any attachments desired (shunt trip, undervoltage release, etc.)

Order secondary contacts as required:

- A shunt trip, undervoltage release or alarm switch requires two contacts;
- A 1A-1B auxiliary switch requires three contacts;
- A motor operator requires a maximum of four contacts;
- Others as required.

**Racking Crank**

A special crank to engage or withdraw the moving portion of the drawout. A standard 1/2 inch hex socket with extension can be used for this purpose.

Style Number	765A767G01
--------------	------------

**Cell Switches Mounted on Drawout Frames, All Ratings**

Up to four switches can be provided. Order by description.

Each switch provides NO and NC contact that transfers before reaching the test position when being withdrawn, and after the test position when being racked in.

<sup>①</sup> Drawout for FB and LA Tri-Pac, FCL, and LCL Circuit Breakers are not available. PB Tri-Pac movable is available factory-installed only. Order by description.



**General Information**

Engine generator molded case circuit breakers are designed specifically for application on diesel engine powered standby generators where high interrupting circuit breakers are not required. The JG through NG breakers are equipped with a special trip unit, that includes standard thermal (overload) protection and special low magnetic pickup range (FG includes a fixed thermal/magnetic pickup). The standard thermal trip unit provides overload protection for conductors per the National Electric Code. The low magnetic pickup range is approximately two to five times the continuous rating and provides closer low level short circuit protection when applied on generators that have very low short circuit capacity. This combination allows the user to customize the breaker to the generator output.

**Catalog Numbering System**

This information is presented only as an aid to understanding catalog numbers. It is not to be used to build catalog numbers for circuit breakers.

FG breakers include both line and load side terminals.

JG, KG, LG, and NG breakers with "W" catalog number suffix do not include any terminals.

JG, KG, LG, and NG breakers without "W" catalog number suffix include both line and load terminals.

Contact Cutler-Hammer for additional ratings and internal/external accessories.

**Interrupting Capacity Ratings**

**UL 489 Interrupting Capacity Ratings**

Interrupting Capacity (Symmetrical Amperes)	
Volts Ac (50/60 Hz)	
240	18,000
480	14,000
600	10,000

**IEC 947-2 Interrupting Capacity Ratings**

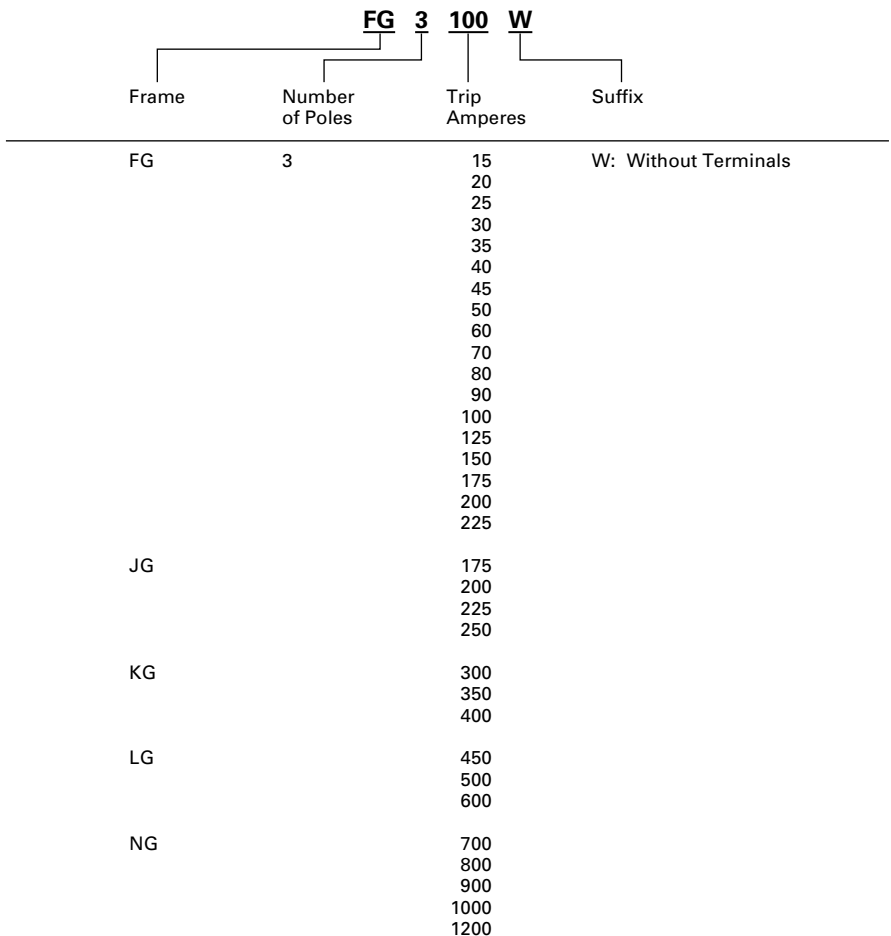
Interrupting Capacity (Symmetrical Amperes)	
Volts Ac (50/60 Hz)	
220, 240	18,000/9,000
380, 415	14,000/7,000
660, 690	10,000/5,000

**Standards**

Engine generator molded case circuit breakers are designed to conform with the following standards:

- Underwriters Laboratories, Inc., Standard UL 489, Molded Case Circuit Breakers and Circuit Breaker Enclosures File E7819
- Canadian Standards Association Standard C22.2 No. 5, Service Entrance and Branch Circuit Breakers
- International Electrotechnical Commission Recommendations IEC 947-2, Circuit Breakers

Conformance with these standards satisfies most local and international codes, assuming user acceptability and simplified application.



## Circuit Breakers

The following table lists FG through NG engine generator breakers with the maximum generator kVA and kW rating. Engine generator breakers

are applied at 115% of the generator full load current rating. The maximum kW rating is based on three-phase generators at 80% power factor.

Magnetic Pickup Range	Maximum Generator Rating 60 Hz						Engine Generator Breaker Catalog Number
	240 Vac		480 Vac		600 Vac		
	kVA <sup>①</sup>	kW <sup>②</sup>	kVA <sup>①</sup>	kW <sup>②</sup>	kVA <sup>①</sup>	kW <sup>②</sup>	
Fixed	5	4	11	9	14	11	FG3015 FG3020 FG3025 FG3030
Fixed	7	6	14	12	18	14	
Fixed	9	7	18	14	23	18	
Fixed	11	9	22	17	27	22	
Fixed	13	10	25	20	32	25	FG3035 FG3040 FG3045 FG3050
Fixed	14	12	29	23	36	29	
Fixed	16	13	32	26	41	32	
Fixed	18	14	36	29	45	36	
Fixed	22	17	43	35	54	43	FG3060 FG3070 FG3080 FG3090
Fixed	25	20	51	40	63	51	
Fixed	29	23	58	46	72	58	
Fixed	32	26	65	52	81	65	
Fixed	36	29	72	58	90	72	FG3100 FG3110 FG3125 FG3150 FG3175 FG3200 FG3225
Fixed	40	32	79	64	99	79	
Fixed	45	36	90	72	113	90	
Fixed	54	43	108	87	135	108	
Fixed	63	51	126	101	158	126	
Fixed	72	58	144	116	181	144	
Fixed	81	65	162	130	203	162	
350-700	63	51	126	101	158	126	
350-700	72	58	144	116	181	144	
350-700	81	65	162	130	203	162	JG3225W <sup>③</sup> JG3225 JG3250W <sup>③</sup> JG3250
350-700	90	72	181	144	226	181	
500-1000	108	87	217	173	271	217	KG3300W <sup>③</sup> KG3300 KG3350W <sup>③</sup> KG3350
500-1000	126	101	253	202	316	253	
1000-2000	144	116	289	231	361	289	KG3400W <sup>③</sup> KG3400 LG3450 LG3450W <sup>③</sup>
600-2500	162	130	325	260	406	325	
600-2500	181	144	361	289	451	361	LG3500 LG3500W <sup>③</sup> LG3600 LG3600W <sup>③</sup>
600-2500	217	173	433	347	542	433	
800-2500	253	202	505	404	632	505	NG3700 NG3700W <sup>③</sup> NG3800 NG3800W <sup>③</sup>
800-2500	289	231	578	462	722	578	
1600-5000	325	260	650	520	812	650	NG3900 NG3900W <sup>③</sup> NG31000 NG31000W <sup>③</sup>
1600-5000	361	289	722	578	903	722	
1600-5000	433	347	867	693	1083	867	NG31200 NG31200W <sup>③</sup>

① Breaker continuous current is based on 115% of the generator full load ampere rating.

② Based on three-phase generators at 80% power factor.

③ Without terminals.



Enclosures

Enclosure Description

Type 1 General Purpose

- Surface or Flush Mounting
- 15-1200 Ampere Range
- 600 Volts Ac, 500 Volts Dc

Type 1 enclosed breakers are designed for use in commercial buildings, apartment buildings and other areas where a general purpose enclosure is applicable. The breaker is front operable and is capable of being padlocked in either the On or Off position. Ratings through 1200 amperes are listed with Underwriters Laboratories, Inc. as approved for service entrance application. Both surface and flush mounted enclosures are available.

Type 3R Rainproof Surface Mounting

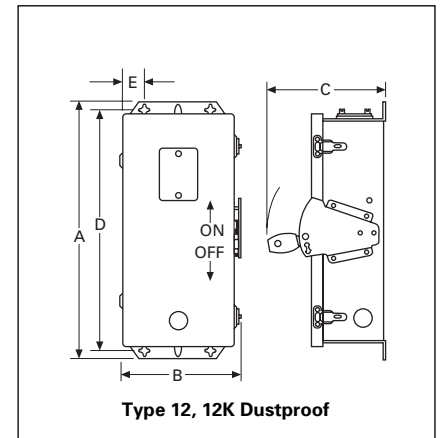
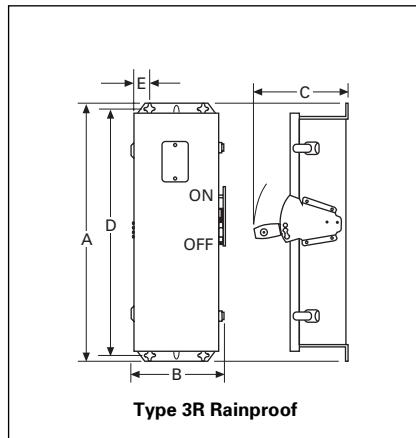
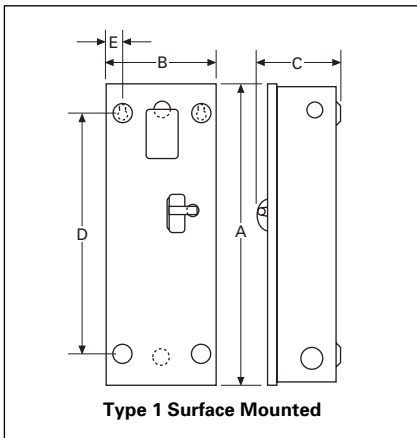
- Interchangeable Hubs (Through 400 Amperes)
- 15-1200 Ampere Range
- 600 Volts Ac, 500 Volts Dc

This general purpose outdoor service center employs a circuit breaker inside a weatherproof sheet steel breaker enclosure to serve as a main disconnect and protective device for feeder circuits. Ratings through 1200 amperes are listed by Underwriters Laboratories, Inc. as suitable for service entrance application.

Type 12 Dustproof Surface Mounting

- No Knockouts or Other Openings
- 15-1200 Ampere Range
- 600 Volts Ac, 500 Volts Dc

The Type 12 enclosure is designed in line with specifications for special industry application where unusually severe conditions involving oil, coolant, dust and other foreign materials exist in the operating atmosphere. The handle padlocks in the Off position and the cover is interlocked with the handle mechanism to prevent opening the cover with the circuit breaker in the On position. Ratings through 1200 amperes are listed by Underwriters Laboratories, Inc. as suitable for service entrance application.



Enclosure Selection Data

Breaker Frame (Amperes)	Enclosure Type Class	Dimensions										App. Wt. Lbs.	Conduit Sizes, Inches	Catalog Number
		A		B		C		D		E				
		Inches	mm	Inches	mm	Inches	mm	Inches	mm	Inches	mm			
FG 15-225	Type 1	23.25	591	8.41	214	6.28	160	18.75	476	1.20	31	15	.25, .50, .75, 1, 1.25, 1.50, 2, 2.50	SFDN225 RFDN225 JFDN225
	Type 3R	25.66	652	8.84	225	9.31	237	24.28	617	1.70	43	19		
	Type 12	25.66	652	8.84	226	9.31	238	24.28	618	1.70	43	18		
JG 175-250	Type 1	34.70	881	10.92	227	7.20	183	30.00	762	1.88	48	31	.25, .50, 2, 2.50, 3	SJDN250 RJDN250 JJDN250
	Type 3R	37.50	891	11.56	294	10.22	260	35.77	909	1.94	49	40		
	Type 12	37.53	953	11.56	294	10.22	260	35.77	909	1.94	49	37		
KG 300-400	Type 1	38.81	986	11.06	281	10.94	278	34.00	869	2.28	58	53	.25, .50, .75, 1.50, 2, 2.50, 3, 3.50	SKDN400 RKDN400 JKDN400
	Type 3R	41.69	997	11.75	298	14.06	357	39.90	1014	1.97	50	60		
	Type 12	41.69	997	11.75	298	14.06	357	39.90	1015	1.97	50	53		
LG 450-600	Type 1	45.88	1165	14.31	364	12.38	314	46.56	1183	1.91	48	81	.25, .50, .75, 3, 3.50, 4	SJDN600 RLDN600 JLDN600
	Type 3R	48.31	1227	14.91	379	15.50	394	46.56	1183	1.92	49	84		
	Type 12	48.31	1227	14.91	379	15.50	394	46.56	1183	1.92	49	81		
NG 700-1200	Type 1	61.22	1555	21.44	545	15.41	391	61.84	1571	1.97	50	178		SNDN1200 RNDN1200 JNDN1200
	Type 3R	63.59	1615	22.00	559	17.63	448	61.84	1571	1.97	50	175		
	Type 12	63.59	1615	22.00	559	17.63	448	61.84	1571	1.97	50	170		



## Accessories

### Standard Terminals

Breaker Frame	Maximum Ampere Rating	AWG Wire Range	Metric Wire Range mm <sup>2</sup>	Catalog Number
FG	100	#14-1/0	2.5 -50	<b>3T100FB</b> ①
FG	150	#4-4/0	25 -95	<b>3TA225FD</b> ①
JG	250	#4-350 kcmil	25 -185	<b>TA250KB</b>
KG	350	250-500 kcmil	120 -240	<b>TA350K</b>
KG	400	3/0-250 kcmil (2)	95 -120	<b>3TA400K</b> ①
LG	600	250-500 kcmil (2)	120 -240	<b>TA600LA</b>
NG	700	1-500 kcmil (2)	50 -300	<b>TA700NB1</b>
NG	1000	3/0-400 kcmil (3)	95 -185	<b>TA1000NB1</b>
NG	1200	4/0-500 kcmil (4)	120 -300	<b>TA1200NB1</b>

### Neutral Kits, Insulated and Groundable

Maximum Enclosure Rating (Amperes)	Main Lug Number Size Cu/Al	Ground Lug Size Cu/Al	Catalog Number
100	(1) 14-1/0	(1) 14-1/0	<b>INK100</b>
250	(1) 6-350 kcmil	(1) 4-300 kcmil	<b>INK250</b>
400	(1) 4-750 kcmil or (2) 1/0-250 kcmil	(1) 4-300 kcmil	<b>INK400</b>
600	(2) 250-500 kcmil	(1) 4-300 kcmil	<b>INK600</b>
1200	(3) 1/0 to 750 kcmil or (4) 1/0 to 750 kcmil	(1) #6-250 kcmil	<b>INK1200</b>

### Internal Accessories

Breaker Frame	Auxiliary Switch		Shunt Trip	
	1A-1B Catalog Number	2A-2B Catalog Number	Rating	Catalog Number
FG	<b>A1X1PK</b>	<b>A2X1PK</b>	12-24 Vdc	<b>SNT1LP03K</b>
JG	<b>A1X2PK</b>	<b>A2X2PK</b>	12-24 Vdc	<b>SNT2P04K</b>
KG	<b>A1X3PK</b>	<b>A2X3PK</b>	12-24 Vdc	<b>SNT3P05K</b>
LG	<b>A1X4PK</b>	<b>A2X4PK</b>	12-24 Vdc	<b>SNT4LP03K</b>
NG	<b>A1X5RPK</b>	<b>A2X5RPK</b>	12-24 Vdc	<b>SNT5LP03K</b>

① Package of 3 terminals.

### General Information

UL listed dc molded case circuit breakers for use in general dc circuits and ungrounded battery supply circuits of UPS systems providing continuous, reliable ac power to computer controlled applications such as financial transactions and telecommunications.

For standard interrupting capacity 250 dc molded case circuit breakers. Refer to Index, Page 1, for appropriate Series C frame size.

The Series C dc breakers listed below use the same internal and external accessories as the standard Series C breaker. NBDC and PBDC use same internal and external accessories as standard NB and PB breakers.

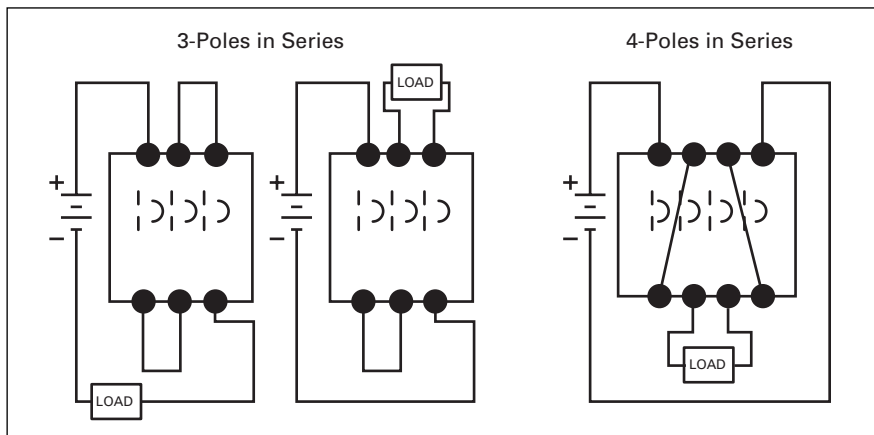
Molded case circuit breakers for transportation application requiring 750 Vdc are available 15 through 2500 ampere 20 kA interrupting capacity at 750 Vdc. Breakers require 4 poles in series for 750 Vdc application. However, 750V is not a UL rating. For 750 Vdc application refer to Cutler-Hammer for ordering information. Dimensions are the same as the standard thermal-magnetic equivalent.

### Interrupting Capacity Ratings

#### UL489 Interrupting Capacity Ratings

Circuit Breaker Type	Interrupting Capacity (Symmetrical kA)			
	Volts DC <sup>①</sup>			
	125 <sup>②</sup>	250 <sup>③</sup>	600 <sup>④</sup>	750 <sup>⑤</sup>
HFDDC	42	42	35	20
HJDDC	42	42	35	20
HKDDC	42	42	35	20
HLDDC	42	42	35	20
HMDLDC	42	42	35	20
NBDC	50	50	50	20
PBDC	75	75	75	20

#### Series Connection Diagrams for DC Application<sup>⑥</sup>



① Dc ratings apply to substantially non-inductive circuits. 8 millisecond time constant.  
 ② 1-pole in series.  
 ③ 2-poles in series.  
 ④ 3-poles in series.  
 ⑤ 4-poles in series. Not a UL listed voltage rating.  
 ⑥ Use rated cable per NEC Connect to terminals as per breaker nameplate.

**Type HFDDC DC Circuit Breakers**

Maximum Continuous Ampere Rating @ 40°C	Complete Circuit Breaker with Line and Load Terminals		
	1-Pole	2-Pole	3-Pole
	Catalog Number		
<b>1, 2, 3-Pole High Interrupting Capacity 35 kAIC @ 600 Vac</b>			
15	HFDDC1015L	HFDDC2015L	HFDDC3015L
20	HFDDC1020L	HFDDC2020L	HFDDC3020L
25	HFDDC1025L	HFDDC2025L	HFDDC3025L
30	HFDDC1030L	HFDDC2030L	HFDDC3030L
35	HFDDC1035L	HFDDC2035L	HFDDC3035L
40	HFDDC1040L	HFDDC2040L	HFDDC3040L
45	HFDDC1045L	HFDDC2045L	HFDDC3045L
50	HFDDC1050L	HFDDC2050L	HFDDC3050L
60	HFDDC1060L	HFDDC2060L	HFDDC3060L
70	HFDDC1070L	HFDDC2070L	HFDDC3070L
80	HFDDC1080L	HFDDC2080L	HFDDC3080L
90	HFDDC1090L	HFDDC2090L	HFDDC3090L
100	HFDDC1100L	HFDDC2100L	HFDDC3100L
110	HFDDC1110L	HFDDC2110L	HFDDC3110L
125	HFDDC1125L	HFDDC2125L	HFDDC3125L
150	HFDDC1150L	HFDDC2150L	HFDDC3150L
175	—	—	HFDDC3175L
200	—	—	HFDDC3200L
225	—	—	HFDDC3225L

Instruction Leaflet/FRED Number 29C700

**Type HJDDC DC Circuit Breakers**

Maximum Continuous Ampere Rating @ 40°C	Circuit Breaker Frame Only <sup>①</sup>	Thermal Magnetic Trip Unit	Standard Terminals
	Catalog Number		
<b>3-Pole High Interrupting Capacity 35 kAIC @ 600 Vac</b>			
70	HJDDC3250F	JT3070T	TA250KB
90		JT3090T	TA250KB
100		JT3100T	TA250KB
125		JT3125T	TA250KB
150		JT3150T	TA250KB
175		JT3175T	TA250KB
200	JT3200T	TA250KB	
225	JT3225T	TA250KB	
250	JT3250T	TA250KB	
100	HKDDC3400F	KT3100T	TA300K
125		KT3125T	TA300K
150		KT3150T	TA300K
175		KT3175T	TA300K
200		KT3200T	TA300K
225		KT3225T	TA300K

Instruction Leaflet/FRED Number 29C701

**Type HKDDC DC Circuit Breakers**

Maximum Continuous Ampere Rating @ 40°C	Circuit Breaker Frame Only <sup>①</sup>	Thermal Magnetic Trip Unit	Standard Terminals
	Catalog Number		
<b>3-Pole High Interrupting Capacity 35 kAIC @ 600 Vac</b>			
250	HKDDC3400F	KT3250T	TA350K
300		KT3300T	TA350K
350		KT3350T	TA350K
400		KT3400T	3TA400K
300	HLDDC3600F	LT3300T	TA602LD
350		LT3350T	TA602LD
400		LT3400T	TA602LD
450		LT3450T	TA602LD
500		LT3500T	TA602LD
600		LT3600T	3TA603LDK

Instruction Leaflet/FRED Number 29C702

**Type HMDL DC Circuit Breakers**

Maximum Continuous Ampere Rating @ 40°C	Circuit Breaker Frame Only <sup>①</sup>	Thermal Magnetic Trip Unit
	Catalog Number	
<b>3-Pole High Interrupting Capacity 35 kAIC @ 600 Vac</b>		
300	HMDL3800F	MT3300T
350		MT3350T
400		MT3400T
450		MT3450T
500		MT3500T
600		MT3600T
700		MT3700T
800		MT3800T

**Type NBDC DC Circuit Breakers**

Maximum Continuous Ampere Rating @ 40°C	Complete Circuit Breaker Factory Assembled Without Terminals <sup>①</sup>	Includes Magnetic Only Trip Unit Calibrated @ 135%	Standard Terminals
	Catalog Number		
<b>3-Pole High Interrupting Capacity 50 kAIC @ 600 Vac</b>			
700	NBDC3700MW	Included	TA1000NB1
800	NBDC3800MW	Included	TA1000NB1
900	NBDC3900MW	Included	TA1000NB1
1000	NBDC31000MW	Included	TA1000NB1
1200	NBDC31200MW	Included	TA1200NB1

**Type PBDC DC Circuit Breakers**

Maximum Continuous Ampere Rating @ 40°C	Complete Circuit Breaker Factory Assembled Without Terminals <sup>①</sup>	Includes Magnetic Only Trip Unit Calibrated @ 135%	Standard <sup>②</sup> Terminals
	Catalog Number		
<b>3-Pole High Interrupting Capacity 75 kAIC @ 600 Vac</b>			
1600	PBDC31600W	Included	BA2000PB
2000	PBDC32000W	Included	BA2000PB
2500	PBDC32500W	Included	BA2500PB

Instruction Leaflet/FRED Number 15560

<sup>①</sup> Complete circuit breaker includes frame, trip unit, and terminals.

## Type GFM

## Type GFM



Type GFM Ground Fault Protection Device

## Description

Cutler-Hammer Type GFM devices are Class 1 Ground Fault Sensing and Relaying devices designed to comply with the requirements outlined in Underwriters Laboratories, Inc. Standards for Safety entitled: Ground Fault Sensing and Relaying Equipment, UL1053.

Type GFM devices, when properly installed on a grounded electrical distribution system, will sense phase to ground fault currents and cause a disconnect to open and clear the fault instantaneously at predetermined current values. These devices have a maximum voltage rating of 600V, 50/60 Hertz and may be applied in accordance with Article 230-95 of the National Electrical Code.

Type GFM Ground Fault Protective Devices are self-contained combination sensing and relaying devices designed primarily for application on motor circuits and fixed loads where low-level Ground Fault Equipment Protection is required.

GFM devices are available in two basic types with each type having two physical sizes. The two basic types differ in the type of output circuit provided. The first type,

designated either GFM2 or GFM4, employs an internal relay having S.P.D.T. contacts that will operate a remote shunt trip device where control power is available.

The second type, designated either GFM2A or GFM4A, is completely solid state with an output SCR circuit designed to operate a remote, low-energy, flux transfer shunt trip mounted in a molded case breaker. No supplementary control power for the shunt trip is required.

## Size Selection

The proper size selection is a function of the conductor size of the equipment being protected. Types GFM2/GFM2A have approximately a two-inch window opening. Types GFM4/GFM4A have approximately a four-inch window opening.

## Rating Selection

The basic Ground Fault Current Pickup rating of either type GFM device is 5 amperes, i.e., each unit when properly installed will initiate a trip signal to a remote shunt trip with the presence of a 5 ampere Ground Fault Current within established tolerance limits. Separate optional rating plugs are available to alter the pickup rating to a maximum of 100 amperes.

## Control Power

Internal control power is not required to operate Type GFM Ground Fault Protective devices. All internal control power required is derived from the Ground Fault current through the internal current sensor.

External control power is required to operate the remote shunt trips used in conjunction with Type GFM2 and GFM4 devices.

External control power is not required with Type GFM2A and GFM4A devices to operate the special remote, low-energy, flux transfer shunt trips used in molded case circuit breakers.

## Trip Indication/Reset

A combination visual indicator and reset button is provided on the top of Type GFM2 and GFM4 devices to indicate the initiation of a tripping action to clear a Ground Fault. The operation of the internal relay will cause the white button to visibly raise.

To reset the device, the Indicator/Reset button must be depressed. Failure to reset the device will not allow the associated disconnect device to be reclosed.

No Indicator/Reset button is provided on Types GFM2A or GFM4A since an internal SCR is used in the output circuit. These devices reset automatically when the disconnect opens to clear the Ground Fault.

## Application

Type GFM devices may be installed in Zero Sequence or Ground Return Sensing methods, Proper Ground Fault Protection schemes are dependent upon proper system installation and grounding methods.

## Mounting

Each Type GFM device contains a Ground Fault Sensor which is a special current transformer. These are insulated devices which can be mounted directly to enclosure surfaces. Four tubular rivets secure the sensor housing. These four (0.200 dia.) mounting holes can be used to mount the GFM device in either a vertical or horizontal mounting position.

Optional mounting brackets as shown on the next page are available. These brackets may be mounted on either the bottom or side depending upon the installation requirements.

Regardless of the mounting method used, the top of the device with the visual indicator/ reset button and nameplate instructions should be maintained in a visual position after installation. GFM devices should be installed so that all conductors passing through the conductor window are physically centered.

## Type GFM

### Ordering Information

Order by catalog number or style number:

- 1 Basic GFM Unit
- 1 Rating plug if required
- 1 Mounting bracket if required
- 1 Circuit breaker with standard shunt trip factory installed (as required), or optionally when possible, a circuit breaker and field mountable shunt trip as separate items.

### Rating Plug Installation

To install an optional rating plug to obtain other than the minimum 5 ampere rating, remove the terminal cover held in position by a single screw and retention groove. With the cover removed, insert the rating plug in the position indicated. The rating plug is held captive in position with the addition of the terminal cover after the wiring is completed. With the terminal cover in position, the ampere rating of the rating plug remains visible.

### Output Circuitry

Contact ratings for Type GFM2 and GFM4 are 10 amperes continuous, 240 volts Ac maximum. Types GFM2A and GFM4A are intended to be used only with remote flux transfer shunt trips.

### Selection Data

#### GFM Basic Units

Output Type	Approximate Window Opening, Inches	Basic Ampere Rating (Plug Omitted)	Operating Time @ 10 x Ampere Rating	Catalog Number
-------------	------------------------------------	------------------------------------	-------------------------------------	----------------

#### Unit for Use with Standard Shunt Trip

Relay	2	5	0.03 Seconds	<b>GFM2</b>
Relay	4	5	0.03 Seconds	<b>GFM4</b>

#### Unit for Use with Flux Transfer Shunt Trips

SCR	2	5	0.03 Seconds	<b>GFM2A</b>
SCR	4	5	0.03 Seconds	<b>GFM4A</b>

Instruction Leaflet/FRED Number 14945

#### GFM Optional Rating Plugs

Ampere Rating	Catalog Number
10	<b>GFMP10</b>
25	<b>GFMP25</b>
50	<b>GFMP50</b>
50	<b>GFMP75</b>
100	<b>GFMP100</b>

### Optional Mounting Brackets

Includes two (2) brackets and mounting hardware



GFM Type	Bracket Kit Style Number
GFM2/2A	<b>750B295G01</b>
GFM4/4A	<b>750B295G02</b>

Type GFR

Type GFR

Description

The GFR ground fault relays, current sensors, test panels and accessory devices are UL listed by Underwriters Laboratories, Inc. in accordance with their standard for Ground Fault Sensing and Relaying Equipment, UL 1053, under File E48381.①

A Type GFR ground fault protection system, when properly installed on a grounded electrical system, will sense phase-to-ground fault currents. When the level of fault current is in excess of the pre-selected current pickup and time delay settings, the GFR relay will initiate a trip action of a disconnect device, which will open the faulted circuit and clear the fault.

The GFR devices are UL Class I devices designed to protect electrical equipment against extensive damage from arcing ground faults.

A basic Type GFR ground fault protection system consists of a ground fault relay②, a ground fault current sensor and a disconnect device equipped with a shunt trip device. This disconnect device can be a molded case circuit breaker, a power circuit breaker, a bolted pressure switch or other fusible disconnect device, suitable for application with UL Class I Ground Fault Sensing and Relaying equipment.

Additional optional equipment can be added to the protection system to meet the requirements of the specifying engineer, including:

- Ground Fault Test Panel
- Ground Fault Warning Indicator Relay
- Ground Fault Indicating Ammeter

GFR relays are available with zone selective interlocking circuitry to interlock several relays within the same system. This allows the relay which detects a ground fault to

① Suitable for either surface or semi-flush mounting.  
② These devices are also listed with CSA under their file number 43357.



GFR Relay

instantly clear the fault by tripping the disconnect device. The relay simultaneously sends a signal to relay units "upstream" from the fault to time delay or to block their operation completely. Current sensors in various designs provide a range of "window" sizes to accommodate standard bus and cable arrangements.

Shunt trip attachments may be ordered for field mounting in Cutler-Hammer molded case circuit breakers, or may be ordered factory installed in the breaker.

Electrical Ratings

GFR Relay

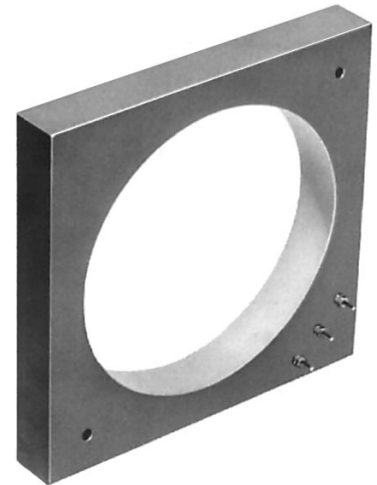
Ground Fault Detection Ranges:  
1 to 12, 5 to 60 or 100 to 1200 Amperes

Output contacts:

240 Volt, 50/60 Hz: 3.0 Amperes  
120 Volt, 50/60 Hz: 6.0 Amperes  
28 Volt Dc: 3.0 Amperes  
125 Volt Dc: .5 Amperes

Control power requirements:

120 Volt, 50/60 Hz: .125 Amperes, or  
125 Volt Dc (optional)



Typical Current Sensor

Sensor:

600 Volts, 50/60 Hz maximum system voltage



## Type GFR

### Ordering Information

Each installation requires:

1. One relay unit (select trip ampere as required)
2. One current sensor (select configuration required)
3. One circuit breaker or disconnect device with shunt trip, or a shunt trip attachment for mounting in existing breaker.
4. Test panel. (Optional)

### GFR Relay

GFR Relay Types	Catalog Numbers <sup>①</sup>		
	Ground Fault Pickup Amperes		
	1-12	5-60	100-200

#### For 120 Volt 50/60 Hz Control

Electrical Reset with Zone Interlocking	GRF12EI	GFR60EI	GFR1200EI
Electrical Reset without Zone Interlocking	GRF12E	GFR60E	GFR1200E
Mechanical Reset with Zone Interlocking	GRF12MI	GFR60MI	GFR1200MI
Mechanical Reset without Zone Interlocking	GRF12MI	GFR60MI	GFR1200MI

#### For 120 Volt Dc Control

Electrical Reset with Zone Interlocking	GRF12EID	GFR60EID	GFR1200EID
Electrical Reset without Zone Interlocking	GRF12ED	GFR60ED	GFR1200ED
Mechanical Reset with Zone Interlocking	GRF12MID	GFR60MID	GFR1200MID
Mechanical Reset without Zone Interlocking	GRF12MID	GFR60MID	GFR1200MID

### Current Sensor

Window Size	Style Number
-------------	--------------

#### Used with Relays Rated 1-12 Amperes

5.50 In. I.D.	1283C45G01
---------------	------------

#### Used with Relays Rated 5-60 Amperes

2.50 In. I.D.	179C768G01
5.50 In. I.D.	1256C13G01
8.25 In. I.D.	179C767G01
7.81 x 11.00 In. Rect.②	1257C88G04
3.31 x 24.94 In. Rect.②	1257C92G03

#### Used with Relays Rated 100-1200 Amperes

2.50 In. I.D.	179C768G02
5.50 In. I.D.	1256C13G02
8.25 In. I.D.	179C767G02
7.81 x 11.00 In. Rect.②	1257C88G03
9.94 x 16.94 In. Rect.②	1257C90G02
9.94 x 23.94 In. Rect.②	1257C91G02
15.94 x 19.94 In. Rect.②	1257C89G02
3.31 x 24.94 In. Rect.②	1257C92G04
6.75 x 29.64 In. Rect.②	1255C39G03

Instruction Leaflet/FRED Number 15321

① Suitable for either surface or semi-flush mounting.

② One end removable for installation.

③ When a mechanically reset relay is used with a test panel, both the relay and test panel must be reset following either a simulated ground fault test or actual ground fault.

④ Not UL listed.

### Accessories

#### Test Panel (120 Volts Ac)<sup>③</sup>

Used to test the ground fault system, to give an indication the relay has tripped the breaker, and to reset the relay after tripping<sup>④</sup>. These functions may be separately mounted pilot devices.

#### Optional Test Panel

Control	Test	Catalog Number
120V 50/60 Hz	120V 50/60 Hz	GFRTP
125V Dc	120V 50/60 Hz	GFRTPD

#### Ground Fault Warning Indicator

This is an accessory item for use with GFR Relays with interlocking circuitry. At approximately 30-50% of the Relay pickup setting, the indicator switches separate 120 volt Ac control power to a lamp or relay, (not included) to give an indication of a ground fault. The indicator is rated 110/120 volts Ac 50/60 Hz for a maximum indicator load of .5 amperes.

Ground Fault Warning Indicator	Style Number
Manual Reset	1234C67G01
Self-Resetting	1234C67G02

#### Indicating Ammeter<sup>④</sup>

The optional indicating ammeter. It connects to the sensor terminals, through a momentary contact pushbutton, and will indicate (in amperes) any ground fault current flowing through the sensor. Kit includes the ammeter and pushbutton.

GFR System Used with	Kit Style Number
1-12 Ampere	752B820G01
5-60 Ampere	752B820G02
100-1200 Ampere	752B820G03

#### Shunt Trip Attachments

Use 120 volt Ac shunt trips.

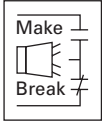
#### Face Plate

Recommended when these relays are semi-flush mounted, to close the door cutout opening.

Description	Style Number
Face Plate	752B410G01

Alarm Switch

Alarm Switch



General Information

For remote indication of automatic trip operation. Does not function with manual switching; however, it will operate when either a shunt trip or undervoltage release is operated.

A “make” contact closes and a “break” contact opens when the alarm/lockout switch operates. The switch automatically resets when the circuit breaker is reset.

Ordering Information

G-Frame

Alarm Switch (RH only)①

Electrical Rating			Contact Arrangement	Style Number②③④	Factory Suffix
Volts	Frequency	Amperes			

Alarm Switch

240	50/60 Hz	6	1 Make/ 1 Break	1288C75G03	B3
-----	----------	---	-----------------	------------	----

Alarm Switch Auxiliary Switches Combination

240	50/60 Hz	6	1 Make/ 1 Break and 1a/1b	1288C76G09	B13
-----	----------	---	---------------------------	------------	-----

Instruction Leaflet/FRED Number 15552

F-Frame

Electrical Rating Data⑤⑥

Maximum Voltage	Frequency	Maximum Current Amperes	Dielectric Withstand Voltage
-----------------	-----------	-------------------------	------------------------------

Multi-Pole Circuit Breakers

600	50/60 Hz	6	2500
125	Dc	0.50⑦	2200
250	Dc	0.25⑦	2200

Single-Pole Circuit Breakers

125/250	50/60 Hz	6⑦	2000
28	Dc	3⑦	2000
28	Dc	5⑧	2000

Alarm Switch①

Number of Contacts (Make and Break)	Mounting Location (Pole)	Factory Mounted				Field Mounted	
		Connection Type and Location				Field Installation Kits⑨	
		18-Inch Pigtail Leads			Terminal Block	Pigtail Leads	Terminal Block
		Same Side	Rear⑩	Opposite Side			
Suffix Number						Catalog Number	
1	Left⑪	B01	B02	B03	B04	A1L1LPK	A1L1LTK
	Right	B05	B06	B07	B08	A1L1RPK	A1L1RTK
2	Left⑪	B09	B10	–	B11	A2L1LPK	A2L1LTK
	Right	B12	B13	–	B14	A2L1RPK	A2L1RTK
1 (Make Only)	Single Pole	B15⑫	–	–	–	–	–

Instruction Leaflet/FRED Number 29C180

① F-Frame circuit breakers are factory sealed. Underwriters Laboratories, Inc., requires that internal accessories be installed at the factory. Internal accessories are UL listed for factory installation under E7819. Where local codes and standards permit and UL listing is not required, internal accessories can be field installed. Accessory installation should be done before the circuit breaker is mounted and connected.  
 ② Includes 24-inch external pigtail leads, 18 AWG (16-.010).  
 ③ A maximum of two internal accessories may be mounted in a three-pole circuit breaker.

④ Suitable for mounting in right pole only of 2- or 3-pole breaker.  
 ⑤ Endurance: 6000 electrical operations plus 4000 mechanical operations.  
 ⑥ Endurance: 6000 electrical operations plus 2000 mechanical operations.  
 ⑦ Non-inductive load.  
 ⑧ Inductive (L/R = 0.026).  
 ⑨ Not listed with Underwriters Laboratories, Inc., for field installation.  
 ⑩ Standard pigtail lead exit location.  
 ⑪ Standard mounting location.  
 ⑫ Factory installation only. Leads exit load end of circuit breaker.



## Alarm Switch

## J-Frame

Electrical Rating Data<sup>①②</sup>

Maximum Voltage	Frequency	Maximum Current Amperes	Dielectric Withstand Voltage
600	50/60 Hz	6	2500
125	Dc	0.50 <sup>③</sup>	
250	Dc	0.25 <sup>③</sup>	

## Alarm Switch

Number of Contacts (Make and Break)	Mounting Location (Pole)	Factory Mounted				Field Mounted	
		Connection Type and Location				Field Installation Kits <sup>④</sup>	
		18-Inch Pigtail Leads			Terminal Block	Pigtail Leads	Terminal Block
		Same Side	Rear <sup>⑤</sup>	Opposite Side			
Suffix Number				Catalog Number			
1	Left <sup>⑥</sup> Right	B01 B05	B02 B06	B03 B07	B04 B08	A1L2LPK A1L2RPK	A1L2LTK A1L2RTK <sup>⑦</sup>

Instruction Leaflet/FRED Number 29C181

## K-Frame

Electrical Rating Data<sup>②⑧</sup>

Maximum Voltage	Frequency	Maximum Current Amperes	Dielectric Withstand Voltage
600	50/60 Hz	6	2500
125	Dc	0.50 <sup>③</sup>	
250	Dc	0.25 <sup>③</sup>	

## Alarm Switch

Number of Sets of Contacts (1M and 1B)	Mounting Location (Pole)	Factory Mounted				Field Mounted	
		Connection Type and Location				Field Installation Kits <sup>④</sup>	
		18-Inch Pigtail Leads			Terminal Block	Pigtail Leads	Terminal Block
		Same Side	Rear <sup>⑤</sup>	Opposite Side			
Suffix Number				Catalog Number			
1	Left <sup>⑥</sup> Right	B01 B05	B02 B06	B03 B07	B04 B08	A1L3LPK A1L3RPK	A1L3LTK A1L3RTK
2	Left <sup>⑥</sup> Right	B09 B12	B10 B13	– –	B11 B14	A2L3LPK A2L3RPK	A2L3LTK A2L3RTK

Instruction Leaflet/FRED Number 29C182

## L- and M-Frames

Electrical Rating Data<sup>②⑧</sup>

Maximum Voltage	Frequency	Maximum Current Amperes	Dielectric Withstand Voltage
600	50/60 Hz	6	2500
125	Dc	0.50 <sup>③</sup>	
250	Dc	0.25 <sup>③</sup>	

## Alarm Switch

Number of Sets of Contacts (1M and 1B)	Mounting Location (Pole)	Factory Mounted				Field Mounted	
		Connection Type and Location				Field Installation Kits <sup>④</sup>	
		18-Inch Pigtail Leads			Terminal Block	Pigtail Leads	Terminal Block
		Same Side	Rear <sup>⑤</sup>	Opposite Side			
Suffix Number				Catalog Number			
1	Left <sup>⑥</sup> Right	B01 B05	B02 B06	B03 B07	B04 B08	A1L4LPK A1L4RPK	A1L4LTK A1L4RTK
2	Left <sup>⑥</sup> Right	B09 B12	B10 B13	– –	B11 B14	A2L4LPK A2L4RPK	A2L4LTK A2L4RTK

Instruction Leaflet/FRED Number 29C183

① Endurance: 6000 electrical operations plus 2000 mechanical operations.

② Pigtail wire size: No. 18 AWG (0.82 mm<sup>2</sup>).

③ Non-inductive load.

④ Listed with Underwriters Laboratories, Inc., for field installation on interchangeable trip unit breakers under E64983.

⑤ Standard mounting location.

⑥ Standard mounting location – leads exit rear of breaker.

⑦ Not for use on 4-pole circuit breakers.

⑧ Endurance – 5,000 electrical operations plus 1000 mechanical operations.

Alarm Switch

N-Frame

Electrical Rating Data<sup>①</sup>

Maximum Voltage	Frequency	Maximum Current Amperes	Dielectric Withstand Voltage
600 125 250	50/60 Hz Dc Dc	6 0.50 <sup>②</sup> 0.25 <sup>②</sup>	2500

Alarm Switch

Number of Sets of Contacts (Make and Break)	Mounting Location (Pole)	Factory Mounted				Field Mounted	
		Connection Type and Location				Field Installation Kits <sup>③</sup>	
		18-Inch Pigtail Leads			Terminal Block	Pigtail Leads	Terminal Block
		Same Side	Rear <sup>④</sup>	Opposite Side			
Suffix Number				Catalog Number			
1	Left Right <sup>④</sup>	B01 B05	B02 B06	B03 B07	B04 B08	A1L5LPK A1L5RPK	A1L5LTK A1L5RTK
2	Left Right <sup>④</sup>	B09 B12	B10 B13	– –	B11 B14	A2L5LPK A2L5RPK	A2L5LTK A2L5RTK

Instruction Leaflet/FRED Number 29C184

R-Frame

Electrical Rating Data<sup>⑤⑥</sup>

Maximum Voltage	Frequency	Maximum Current Amperes
600 125 250	50/60 Hz Dc Dc	6 0.50 <sup>②</sup> 0.25 <sup>②</sup>

Alarm Switch (RH only)

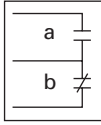
Number of Contacts (Make and Break)	Factory Mounted	Field Mounted
	Connection Type and Location	Field Installation Kits <sup>③</sup>
	18-Inch Pigtail Leads	Pigtail Leads
	Suffix Number <sup>⑦</sup>	Catalog Number <sup>⑦</sup>
1	B05	A1L6RPK
2	B12	A2L6RPK

Instruction Leaflet/FRED Number 29C185

- ① Endurance – 3000 electrical operations plus 1000 mechanical operations.
- ② Non-inductive load.
- ③ Listed with Underwriters Laboratories, Inc. for field installation under E64983.
- ④ Standard mounting location – leads exit rear of breaker.
- ⑤ Endurance: 500 electrical operations plus 2500 mechanical operations.
- ⑥ Pigtail wire size: No. 18 AWG (0.82 mm<sup>2</sup>). Leads are red, black and blue.
- ⑦ A maximum of three ASL plug-in modules may be installed in a circuit breaker.

## Auxiliary Switch

### Auxiliary Switch



### General Information

The auxiliary switch provides circuit breaker contact status information by monitoring the position of the molded cross bar which contains the moving contact arms. The auxiliary switch is used for remote indication and interlock system verification,

and consists of one or two SPDT switches housed in a plug-in module. Each SPDT switch has one "a" and one "b" contact. When the circuit breaker contacts are open, the "a" contact is open and the "b" contact is closed.

### Ordering Information

#### G-Frame

#### Auxiliary (RH only)

Electrical Ratings			Contact Arrangement	Style Number <sup>①②③</sup>	Factory Suffix
Volts	Frequency	Amperes			
240	50/60 Hz	6	1a/1b	1288C74G03	A3
240	50/60 Hz	6	2a/2b	1288C73G03	A6

Instruction Leaflet/FRED Number 15551

#### F-Frame

#### Electrical Rating Data<sup>④⑤</sup>

Maximum Voltage	Frequency	Maximum Current Amperes	Dielectric Withstand Voltage
125 <sup>⑥</sup>	50/60 Hz	1	2500
600	50/60 Hz	6	2500
125	Dc	0.50 <sup>⑦</sup>	2200
250	Dc	0.25 <sup>⑦</sup>	2200

#### Auxiliary Switch

Number of Contacts a and b	Mounting Location (Pole)	Factory Mounted				Field Mounted			
		Connection Type and Location						Field Installation Kits <sup>⑧</sup>	
		18-Inch Pigtail Leads				Terminal Block	Pigtail Leads	Terminal Block	
		Same Side	Rear <sup>⑨</sup>	Opposite Side	Same Side				
Suffix Number						Catalog Number			
1	Left <sup>⑩</sup>	A01	A02	A03	A04	A1X1PK	A1X1LTK		
	Right or Neutral	A15 <sup>⑪</sup>	A16 <sup>⑪</sup>	A17 <sup>⑪</sup>	—	E1X1PK	—		
		A05	A06	A07	A08	A1X1PK	A1X1RTK <sup>⑫</sup>		
2	Left <sup>⑩</sup>	A09	A10	—	A11	A2X1LPK	A2X1LTK		
	Right or Neutral	A21 <sup>⑪</sup>	A22 <sup>⑪</sup>	—	—	E2X1LPK	—		
		A12	A13	—	A14	A2X1RPK	A2X1RTK <sup>⑫</sup>		
		A23 <sup>⑪</sup>	A24 <sup>⑪</sup>	—	—	E2X1RPK	—		

Instruction Leaflet/FRED Number 29C120

#### J-Frame

#### Electrical Rating Data<sup>④⑤</sup>

Maximum Voltage	Frequency	Maximum Current Amperes	Dielectric Withstand Voltage
600	50/60 Hz	6	2500
125	Dc	0.50 <sup>⑦</sup>	
250	Dc	0.25 <sup>⑦</sup>	

#### Auxiliary Switch

Number of Sets of Contacts (1a and 1b)	Mounting Location (Pole)	Factory Mounted				Field Mounted			
		Connection Type and Location						Field Installation Kits <sup>⑩</sup>	
		18-Inch Pigtail Leads				Terminal Block	Pigtail Leads	Terminal Block	
		Same Side	Rear <sup>⑪</sup>	Opposite Side	Same Side				
Suffix Number						Catalog Number			
1	Left	A01	A02	A03	A04	A1X2PK	A1X2LTK		
	Right <sup>⑫</sup>	A05	A06	A07	A08	A1X2PK	A1X2RTK <sup>⑬</sup>		
2	Left	A09	A10	—	A11	A2X2PK	A2X2LTK		
	Right <sup>⑫</sup>	A12	A13	—	A14	A2X2PK	A2X2RTK <sup>⑬</sup>		

Instruction Leaflet/FRED Number 29C121

① Includes 24-inch external pigtail leads, #18 AWG (16-.010).

② A maximum of two internal accessories may be mounted in a three-pole circuit breaker.

③ Suitable for mounting in right pole only of 2- or 3-pole breaker.

④ Endurance: 6000 electrical operations plus 4000 mechanical operations.

⑤ Pigtail wire size: No. 18 AWG (0.82 mm<sup>2</sup>).

⑥ For use in electronic circuit of 100 micro-amperes and 15 Vdc minimum.

⑦ Non-inductive load.

⑧ Not listed with Underwriters Laboratories, Inc., for field installation.

⑨ Standard pigtail lead exit location.

⑩ 125-volt (Max.), 50/60 Hz switch for use in electronic circuit of 100 micro-amp and 15 Vdc minimum.

⑪ Listed with Underwriters Laboratories, Inc. for field installation or interchangeable trip unit breakers under E64983.

⑫ Standard mounting location – leads exit rear of breaker.

⑬ Not for use on 4-pole circuit breakers.

Auxiliary Switch

K-Frame

Electrical Rating Data<sup>①②</sup>

Maximum Voltage	Frequency	Maximum Current Amperes	Dielectric Withstand Voltage
600	50/60 Hz	6	2500
125	Dc	0.50 <sup>③</sup>	
250	Dc	0.25 <sup>③</sup>	

Auxiliary Switch

Number of Sets of Contacts (1M and 1B)	Mounting Location (Pole)	Factory Mounted				Field Mounted	
		Connection Type and Location				Field Installation Kits <sup>④</sup>	
		18-Inch Pigtail Leads			Terminal Block	Pigtail Leads	Terminal Block
		Same Side	Rear <sup>⑤</sup>	Opposite Side	Same Side		
Suffix Number				Catalog Number			
1	Left Right <sup>⑤</sup>	A01 A05	A02 A06	A03 A07	A04 A08	A1X3PK A1X3PK	A1X3LTK A1X3RTK <sup>⑥</sup>
2	Left Right <sup>⑤</sup>	A09 A12	A10 A13	– –	A11 A14	A2X3PK A2X3PK	A2X3LTK A2X3RTK <sup>⑥</sup>
3	Left Right	A18 A17	– –	– –	A15 A16	A3X3LPK A3X3RPK	A3X3LTK A3X3RTK <sup>⑥</sup>

Instruction Leaflet/FRED Number 29C122

L- and M-Frames

Electrical Rating Data<sup>②</sup>

Maximum Voltage	Frequency	Maximum Current Amperes	Dielectric Withstand Voltage
600	50/60 Hz	6	2500
125	Dc	0.50 <sup>③</sup>	
250	Dc	0.25 <sup>③</sup>	

Auxiliary Switch

Number of Sets of Contacts (1a and 1b)	Mounting Location (Pole)	Factory Mounted				Field Mounted	
		Connection Type and Location				Field Installation Kits <sup>④</sup>	
		18-Inch Pigtail Leads			Terminal Block	Pigtail Leads	Terminal Block
		Same Side	Rear <sup>⑤</sup>	Opposite Side	Same Side		
Suffix Number				Catalog Number			
1	Left Right <sup>⑤</sup>	A01 A05	A02 A06	A03 A07	A04 A08	A1X4PK A1X4PK	A1X4LTK A1X4RTK <sup>⑥</sup>
2	Left Right <sup>⑤</sup>	A09 A12	A10 A13	– –	A11 A14	A2X4PK A2X4PK	A2X4LTK A2X4RTK <sup>⑥</sup>
3	Left Right <sup>⑤</sup>	A18 A17	– –	– –	A15 A16	A3X4PK A3X4PK	A3X4LTK A3X4RTK <sup>⑥</sup>

Instruction Leaflet/FRED Number 29C123

- ① Endurance – 5000 electrical operations plus 1000 mechanical operations.
- ② Pigtail wire size – No. 18 AWG (0.82 mm<sup>2</sup>).
- ③ Non-inductive load.
- ④ Listed with Underwriters Laboratories, Inc. for field installation under E64983.
- ⑤ Standard mounting location – leads exit rear of breaker.
- ⑥ Not for use on 4-pole circuit breaker.

## Auxiliary Switch

### N-Frame

#### Electrical Rating Data<sup>①②</sup>

Maximum Voltage	Frequency	Maximum Current Amperes	Dielectric Withstand Voltage
600	50/60 Hz	6	2500
125	Dc	0.50 <sup>③</sup>	
250	Dc	0.25 <sup>③</sup>	

#### Auxiliary Switch

Number of Sets of Contacts (1A and 1B)	Mounting Location (Pole)	Factory Mounted				Field Mounted	
		Connection Type and Location				Field Installation Kits <sup>④</sup>	
		18-Inch Pigtail Leads			Terminal Block	Pigtail Leads	Terminal Block
		Same Side	Rear <sup>⑤</sup>	Opposite Side	Same Side		
Suffix Number					Catalog Number		
1	Left Right <sup>⑤</sup>	A01 A05	A02 A06	A03 A07	A04 A08	A1X5LPK A1X5RPK	A1X5LTK A1X5RTK <sup>⑥</sup>
2	Left Right <sup>⑤</sup>	A09 A12	A10 A13	– –	A11 A14	A2X5LPK A2X5RPK	A2X5LTK A2X5RTK <sup>⑥</sup>
3	Left Right <sup>⑤</sup>	A18 A17	– –	– –	A15 A16	A3X5LPK A3X5RPK	A3X5LTK A3X5RTK <sup>⑥</sup>

Instruction Leaflet/FRED Number 29C124

### R-Frame

#### Electrical Rating Data<sup>⑦⑧</sup>

Maximum Voltage	Frequency	Maximum Current Amperes
600	50/60 Hz	6
125	Dc	0.50 <sup>③</sup>
250	Dc	0.25 <sup>③</sup>

#### Auxiliary Switch (RH only)

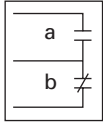
Number of Contacts (Make and Break)	Factory Mounted		Field Mounted
	Connection Type and Location		Field Installation Kits <sup>④</sup>
	18-Inch Pigtail Leads		Pigtail Leads
	Suffix Number <sup>⑨</sup>		Catalog Number <sup>⑨</sup>
2	A12		A2X6RPK
4	A19		A4X6RPK

Instruction Leaflet/FRED Number 29C125

- ① Endurance – 3000 electrical operations plus 1000 mechanical operations.
- ② Pigtail wire size – No. 18 AWG (0.82 mm<sup>2</sup>).
- ③ Non-inductive load.
- ④ Listed with Underwriters Laboratories, Inc. for field installation under E64983.
- ⑤ Standard mounting location – leads exit rear of breaker.
- ⑥ Not for use on 4-pole circuit breaker.
- ⑦ Endurance: 500 electrical operations plus 2500 mechanical operations.
- ⑧ Pigtail wire size: No. 18 AWG (0.82 mm<sup>2</sup>). Leads are red, black and blue.
- ⑨ A maximum of two auxiliary switches (any combination of 2a/2b or 4a/4b plug-in modules may be installed in a circuit breaker.

Auxiliary Switch and Alarm Switch Combination

Auxiliary Switch and Alarm Switch Combination



General Information

Each catalog number listed in the following table includes one auxiliary switch and one alarm switch. In an auxiliary switch ASL switch

combination, the auxiliary switch is always mounted on the side of the plug-in module next to the center pole of the circuit breaker.

Ordering Information

F-Frame

Electrical Rating Data<sup>①②</sup>

Maximum Voltage	Frequency	Maximum Current Amperes	Dielectric Withstand Voltage
125	50/60 Hz	1	2500
600	50/60 Hz	6	2500
125	Dc	0.50 <sup>③</sup>	2200
250	Dc	0.25 <sup>③</sup>	2200

Auxiliary Switch and Alarm Switch Combination

Mounting Location (Pole)	Factory Mounted				Field Mounted	
	Connection Type and Location				Field Installation Kits <sup>④</sup>	
	18-Inch Pigtail Leads		Terminal Block		Pigtail Leads	Terminal Block
	Same Side	Rear <sup>⑤</sup>	Same Side			
Suffix Number				Catalog Number		
Left <sup>⑤</sup> Right	C01 C04	C02 C05	C03 C06	AAL1LPK AAL1RPK	AAL1LTK AAL1RTK <sup>⑥</sup>	

Instruction Leaflet/FRED Number 29C180

J-Frame

Electrical Rating Data<sup>⑦②</sup>

Maximum Voltage	Frequency	Maximum Current Amperes	Dielectric Withstand Voltage
600	50/60 Hz	6	2500
125	Dc	0.50 <sup>③</sup>	
250	Dc	0.25 <sup>③</sup>	

Auxiliary Switch and Alarm Switch Combination

Number of Sets of Contacts (1a and 1b and 1M and 1B)	Mounting Location (Pole)	Factory Mounted				Field Mounted	
		Connection Type and Location				Field Installation Kits <sup>⑧</sup>	
		18-Inch Pigtail Leads		Terminal Block		Pigtail Leads	Terminal Block
		Same Side	Rear <sup>⑨</sup>	Opposite Side	Same Side		
Suffix Number				Catalog Number			
1	Left Right <sup>⑩</sup>	C01 C04	C02 C05	– –	C03 C06	AAL2LPK AAL2RPK	AAL2LTK AAL2RTK <sup>⑥</sup>

Instruction Leaflet/FRED Number 29C181

K-Frame

Electrical Rating Data<sup>⑩②</sup>

Maximum Voltage	Frequency	Maximum Current Amperes	Dielectric Withstand Voltage
600	50/60 Hz	6	2500
125	Dc	0.50 <sup>③</sup>	
250	Dc	0.25 <sup>③</sup>	

Auxiliary Switch and Alarm Switch Combination

Number of Sets of Contacts (1a and 1b and 1M and 1B)	Mounting Location (Pole)	Factory Mounted				Field Mounted	
		Connection Type and Location				Field Installation Kits <sup>⑧</sup>	
		18-Inch Pigtail Leads		Terminal Block		Pigtail Leads	Terminal Block
		Same Side	Rear <sup>⑨</sup>	Opposite Side	Same Side		
Suffix Number				Catalog Number			
1	Left Right <sup>⑩</sup>	C01 C04	C02 C05	– –	C03 C06	AAL3LPK AAL3RPK	AAL3LTK AAL3RTK

Instruction Leaflet/FRED Number 29C182

① Endurance: 6000 electrical operations plus 4000 mechanical operations.  
 ② Pigtail wire size: No. 18 AWG (0.82 mm<sup>2</sup>).  
 ③ Non-inductive load.  
 ④ Not listed with Underwriters Laboratories, Inc., for field installation.  
 ⑤ Standard mounting location.  
 ⑥ Not for use on 4-pole circuit breakers.

⑦ Endurance – 6000 electrical operations plus 2000 mechanical operations.  
 ⑧ Listed with Underwriters Laboratories, Inc. for field installation or interchangeable trip unit breakers under E64983.

⑨ Standard mounting location – leads exit rear of breaker.  
 ⑩ Endurance – 5000 electrical operations plus 1000 mechanical operations.

## Auxiliary Switch and Alarm Switch Combination

### L- and M-Frames

#### Electrical Rating Data<sup>①②</sup>

Maximum Voltage	Frequency	Maximum Current Amperes	Dielectric Withstand Voltage
600	50/60 Hz	6	2500
125	Dc	0.50 <sup>③</sup>	
250	Dc	0.25 <sup>③</sup>	

#### Auxiliary Switch and Alarm Switch Combination

Number of Sets of Contacts	Mounting Location (Pole)	Factory Mounted				Field Mounted	
		Connection Type and Location				Field Installation Kits <sup>④</sup>	
		18-Inch Pigtail Leads			Terminal Block	Pigtail Leads	Terminal Block
		Same Side	Rear <sup>⑤</sup>	Opposite Side	Same Side		
Suffix Number				Catalog Number			
1A, 1B and 1 Make/ 1 Break	Left Right <sup>⑤</sup>	C01 C04	C02 C05	– –	C03 C06	AA114LPK AA114RPK	AA114LTK AA114RTK <sup>⑥</sup>
2A, 2B and 1 Make/ 1 Break	Left Right <sup>⑤</sup>	C07 C10	C08 C11	– –	C12 C13	AA214LPK AA214RPK	AA214LTK AA214RTK <sup>⑥</sup>
3A, 3B and 1 Make/ 1 Break	Left Right <sup>⑤</sup>	C14 C15	– –	– –	– –	AA314LPK AA314RPK	– –

Instruction Leaflet/FRED Number 29C183

### N-Frame

#### Electrical Rating Data<sup>⑦②</sup>

Maximum Voltage	Frequency	Maximum Current Amperes	Dielectric Withstand Voltage
600	50/60 Hz	6	2500
125	Dc	0.50 <sup>③</sup>	
250	Dc	0.25 <sup>③</sup>	

#### Auxiliary Switch and Alarm Switch Combination

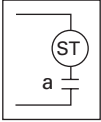
Number of Sets of Contacts	Mounting Location (Pole)	Factory Mounted				Field Mounted	
		Connection Type and Location				Field Installation Kits <sup>④</sup>	
		18-Inch Pigtail Leads			Terminal Block	Pigtail Leads	Terminal Block
		Same Side	Rear <sup>⑤</sup>	Opposite Side	Same Side		
Suffix Number				Catalog Number			
1A, 1B and 1 Make/ 1 Break	Left Right <sup>⑤</sup>	C01 C04	C02 C05	– –	C03 C06	AA115LPK AA115RPK	AA115LTK AA115RTK <sup>⑥</sup>
2A, 2B and 1 Make/ 1 Break	Left Right <sup>⑤</sup>	C07 C10	C08 C11	– –	C12 C13	AA215LPK AA215RPK	AA215LTK AA215RTK <sup>⑥</sup>

Instruction Leaflet/FRED Number 29C184

- ① Endurance – 5000 electrical operations plus 1000 mechanical operations.  
 ② Pigtail wire size – No. 18 AWG (0.82 mm<sup>2</sup>).  
 ③ Non-inductive load.  
 ④ Listed with Underwriters Laboratories, Inc. for field installation under E64983.  
 ⑤ Standard mounting location – leads exit rear of breaker.  
 ⑥ Not for use on 4-pole circuit breaker.  
 ⑦ Endurance – 3000 electrical operations plus 1000 mechanical operations.

Shunt Trip

Shunt Trip



General Information

The shunt trip provides remote controlled tripping of the circuit breaker. The shunt trip consists of an intermittent rated solenoid with a tripping plunger and a cutoff switch assembled to a plug-in module.

When required for ground fault protection applications, certain Ac rated shunt trips, as noted in the Electrical Rating Table, are suitable for operation at 55 percent of rated voltage.

Ordering Information

Select shunt trip catalog number for the voltage within the indicated voltage range. Shunt trip coils are designed to be applied at specific Ac or Dc voltages within the voltage range shown. Electrical ratings are also shown on applicable circuit breaker accessory nameplates.

G-Frame

Shunt Trip (LH 3-Pole only)

Electrical Ratings			Catalog Number	Suffix Number
Volts	Frequency	Amperes		
120	50/60 Hz	1.1	1373D62G01	S1
240	50/60 Hz	2.1	1373D62G02	S2
12	Dc	2.8	1373D62G15	S3
24	Dc	5.7	1373D62G16	S4
24	60 Hz	—	1373D62G20	S7

Instruction Leaflet/FRED Number 15550

**Note:** G-Frame circuit breakers are factory sealed. Underwriters Laboratories, Inc., requires that internal accessories be installed at the factory.

Internal accessories are UL listed for factory installation under E7819.

Where local codes and standards permit and UL listing is not required, internal accessories can be field installed. Accessory installation should be done before the circuit breaker is mounted and connected.



Shunt Trip

F-Frame

Electrical Rating Data<sup>①②③</sup>

50/60 Hz			Dc		
Supply Voltage	Minimum Operating Voltage	VA	Supply Voltage	Minimum Operating Voltage	VA
12	6.75	75	12	9	100
24		300	24		400
48	36	92	48	36	100
60		140	60		160
110		480			
120		570			
127		640			
208	156	180	110	77	55
220		200	120		66
240		240	125		71
380		610	127		72
415	300	130	220	-	110
440		330	250		140
480		380	-		-
525		450	-		-
550		530	-		-
600		590	-		-
		-	-		-

Shunt Trip

Voltage Rating (Ac Frequency = 50/60 Hz)	Factory Mounted				Field Mounted	
	Connection Type and Location				Field Installation Kits <sup>④</sup>	
	18-Inch Pigtail Leads <sup>⑤</sup>			Terminal Block	Pigtail Leads	Terminal Block
	Same Side	Rear <sup>⑥</sup>	Opposite Side	Same Side		
	Suffix Number			Catalog Number		

Left-Pole Mounting Ac/Dc Ratings

12-24 Vac or Vdc	S01	S02	S03	S04	SNT1LP03K	SNT1LT03K
48-127 Vac or 48-60 Vdc <sup>⑦</sup>	S05	S06	S07	S08	SNT1LP08K	SNT1LT08K
208-380 Vac or 110-127 Vdc	S09	S10	S11	S12	SNT1LP12K	SNT1LT12K
415-600 Vac or 220-250 Vdc	S13	S14	S15	S16	SNT1LP18K	SNT1LT18K

Right- or Neutral-Pole Mounting Ac/Dc Ratings<sup>⑧</sup>

12-24 Vac or Vdc	S17	S18	S19	S20	SNT1RP03K	SNT1RT03K <sup>⑨</sup>
48-127 Vac or 48-60 Vdc <sup>⑦</sup>	S21	S22	S23	S24	SNT1RP08K	SNT1RT08K <sup>⑨</sup>
208-380 Vac or 110-127 Vdc	S25	S26	S27	S28	SNT1RP12K	SNT1RT12K <sup>⑨</sup>
415-600 Vac or 220-250 Vdc	S29	S30	S31	S32	SNT1RP18K	SNT1RT18K <sup>⑨</sup>

Instruction Leaflet/FRED Number 29C140

**Note:** F-Frame circuit breakers are factory sealed. Underwriters Laboratories, Inc., requires that internal accessories be installed at the factory.

Internal accessories are UL listed for factory installation under E7819.

Where local codes and standards permit and UL listing is not required, internal accessories can be field installed. Accessory installation should be done before the circuit breaker is mounted and connected.

J-Frame

Electrical Rating Data<sup>①②⑩</sup>

50/60 Hz			Dc			
Supply Voltage	Minimum Operating Voltage	VA	Supply Voltage	Minimum Operating Voltage	VA	
12	9	31	12	8.4	50	
24		173	24		247	
48	36	686	48	33.6	1094	
60		1014	60		1698	
110 <sup>⑪</sup>		66	110		77	112
120 <sup>⑪</sup>		84	120			138
127 <sup>⑪</sup>	102	125		150		
208 <sup>⑪</sup>	354	-		-		
220 <sup>⑪</sup>	396	-		-		
240 <sup>⑪</sup>	432	-		-		
380	285	180	110	154	40	
400		200	120		58	
415		240	125		-	
440		610	127		-	
480	360	34	-	-	-	
525		42	-		-	
550		50	-		-	
600		60	-		-	
		-	-		-	

Shunt Trip

Voltage Rating (Ac Frequency = 50/60 Hz)	Factory Mounted				Field Mounted	
	Connection Type and Location				Field Installation Kits <sup>⑫</sup>	
	18-Inch Pigtail Leads			Terminal Block	Pigtail Leads	Terminal Block
	Same Side	Rear <sup>⑬</sup>	Opposite Side	Same Side		
	Suffix Number			Catalog Number		

Left-Pole Mounting Ac/Dc Ratings<sup>⑬</sup>

12-24 Vac or Vdc	S41	S42	S43	S44	SNT2P04K	SNT2T04K
48-60 Vac or Vdc	S49	S50	S51	S52	SNT2P06K	SNT2T06K
110-240 Vac or 110-125 Vdc <sup>⑭</sup>	S09	S10	S11	S12	SN2LP11K	SNT2T11K
380-440 Vac or 220-250 Vdc	S33	S34	S35	S36	SNT2P14K	SNT2T14K
480-600 Vac	S17	S18	S19	S20	SNT2P18K	SNT2T18K

Right-Pole Mounting Ac/Dc Ratings

12-24 Vac or Vdc	S45	S46	S47	S48	SNT2P04K	SNT2T04K <sup>⑯</sup>
48-60 Vac or Vdc	S53	S54	S55	S56	SNT2P06K	SNT2T06K <sup>⑯</sup>
110-240 Vac or 110-125 Vdc <sup>⑭</sup>	S29	S30	S31	S32	SNT2P11K	SNT2T11K <sup>⑯</sup>
380-440 Vac or 220-250 Vdc	S33	S34	S35	S36	SNT2P14K	SNT2T14K <sup>⑯</sup>
480-600 Vac	S37	S38	S39	S40	SNT2P18K	SNT2T18K <sup>⑯</sup>

Instruction Leaflet/FRED Number 29C142

① Average unlatching time: 6 milliseconds.  
 ② Average circuit breaker contact total opening time: 18 milliseconds.  
 ③ Endurance: 6000 electrical operations plus 4000 mechanical operations.  
 ④ Not listed with Underwriters Laboratories, Inc., for field installation.  
 ⑤ Pigtail wire size: No. 18 AWG (0.82 mm<sup>2</sup>).  
 ⑥ Standard pigtail lead exit location.

⑦ 120 Vac marked suitable for ground fault protection devices.  
 ⑧ Standard mounting location.  
 ⑨ Not for use on 4-pole circuit breakers.  
 ⑩ Endurance – 6000 electrical operations plus 2000 mechanical operations.  
 ⑪ Supply voltages suitable for use with Class 1 GFP devices. Marking label included with accessory kits.

⑫ Listed with Underwriters Laboratories, Inc. for field installation under E64983.  
 ⑬ Standard mounting location – leads exit rear of breaker.  
 ⑭ Suitable for use with Class 1 ground fault sensing element.

Shunt Trip

K-Frame

Electrical Rating Data①②③

50/60 Hz			Dc		
Supply Voltage	Minimum Operating Voltage	VA	Supply Voltage	Minimum Operating Voltage	VA
12	9	45	12	8.4	35
24		200	24		170
48		830	48		710
60		1280	60		1105
110④	60	100	110	77	110
120④		120	120		130
127④		140	125		140
208④		420	—		—
220④		470	—		—
240④	550	—	—	—	
380	285	95	220	154	41
400		108	250		54
415		120	—		—
440		136	—		—
480	360	40	—	—	—
525		50	—		—
550		50	—		—
600		70	—		—

Shunt Trip

Voltage Rating (Ac Frequency = 50/60 Hz)	Factory Mounted				Field Mounted	
	Connection Type and Location				Field Installation Kits⑤	
	18-Inch Pigtail Leads			Terminal Block	Pigtail Leads	Terminal Block
	Same Side	Rear⑥	Opposite Side	Same Side		
	Suffix Number				Catalog Number	

Left-Pole Mounting Ac/Dc Ratings⑥

12-24 Vac or Vdc	S41	S42	S43	S44	SNT3P04K	SNT3T04K
48-60 Vac or Vdc	S49	S50	S51	S52	SNT3P06K	SNT3T06K
110-240 Vac or 110-125 Vdc⑦	S09	S10	S11	S12	SN3LP11K	SNT3T11K
380-440 Vac or 220-250 Vdc	S13	S14	S15	S16	SNT3P14K	SNT3T14K
480-600 Vac	S17	S18	S19	S20	SNT3P18K	SNT3T18K

Right-Pole Mounting Ac/Dc Ratings⑥

12-24 Vac or Vdc	S45	S46	S47	S48	SNT3P04K	SNT3T04K⑧
110-240 Vac or 110-125 Vdc⑦	S29	S30	S31	S32	SNT3P11K	SNT3T11K⑧
380-440 Vac or 220-250 Vdc	S33	S34	S35	S36	SNT3P14K	SNT3T14K⑧
480-600 Vac	S37	S38	S39	S40	SNT3P18K	SNT3T18K⑧

Instruction Leaflet/FRED Number 29C144

L- and M-Frames

Electrical Rating Data①②③

50/60 Hz			Dc		
Supply Voltage	Minimum Operating Voltage	VA	Supply Voltage	Minimum Operating Voltage	VA
12	9	45	12	9	35
24		200	24		170
48	34	830	48	34	710
60		1280	60		1105
110④	60	100	110	77	110
120④		120	120		130
127④		140	125		140
208④		420	—		—
220④		470	—		—
240④	550	—	—	—	
380	266	95	220	154	41
400		108	250		54
415		120	—		—
440		136	—		—
480	336	40	—	—	—
525		50	—		—
550		50	—		—
600		70	—		—

Shunt Trip

Voltage Rating (Ac Frequency = 50/60 Hz)	Factory Mounted				Field Mounted	
	Connection Type and Location				Field Installation Kits⑤	
	18-Inch Pigtail Leads			Terminal Block	Pigtail Leads	Terminal Block
	Same Side	Rear⑥	Opposite Side	Same Side		
	Suffix Number				Catalog Number	

Left-Pole Mounting Ac/Dc Ratings⑥

12-24 Vac or Vdc	S01	S02	S03	S04	SNT4LP03K	SNT4LT03K
48-60 Vac	S05	S06	S07	S08	SNT4LP05K	SNT4LT05K
48-60 Vdc	S85	S86	S87	—	SNT4LP23K	SNT4LT23K
110-240 Vac	S09	S10	S11	S12	SNT4LP11K	SNT4LT11K
110-125 Vdc	S41	S42	S43	S44	SNT4LP26K	SNT4LT26K
380-440 Vac or 220-250 Vdc	S13	S14	S15	S16	SNT4LP14K	SNT4LT14K
480-600 Vac	S17	S18	S19	S20	SNT4LP18K	SNT4LT18K

Right-Pole Mounting Ac/Dc Ratings⑥

12-24 Vac or Vdc	S21	S22	S23	S24	SNT4RP03K	SNT4RT03K
48-60 Vac	S25	S26	S27	S28	SNT4RP05K	SNT4RT05K
48-60 Vdc	S88	S89	S90	—	SNT4RP23K	SNT4RT23K
110-240 Vac	S29	S30	S31	S32	SNT4RP11K	SNT4RT11K
110-125 Vdc	S45	S46	S47	S48	SNT4RP26K	SNT4RT26K
380-440 Vac or 220-250 Vdc	S33	S34	S35	S36	SNT4RP14K	SNT4RT14K
480-600 Vac	S37	S38	S39	S40	SNT4RP18K	SNT4RT18K

Instruction Leaflet/FRED Number 29C146

- ① Approximate unlatching time – 6 milliseconds.
- ② Approximate total circuit breaker contact opening time – 18 milliseconds.
- ③ Endurance – 5,000 electrical operations plus 1,000 mechanical operations.
- ④ Supply voltages suitable for use with Class 1 GFP devices. Marking label included with accessory kits.
- ⑤ Listed with Underwriters Laboratories, Inc., for field installation under E64983.

- ⑥ Standard mounting location – leads exit rear of breaker.
- ⑦ Suitable for use with Class 1 ground fault sensing element.
- ⑧ For use with KT (thermal-magnetic) trip units only.
- ⑨ Not for use on 4-pole circuit breaker.
- ⑩ For use with LT (thermal-magnetic) 3-pole trip units only.

## Shunt Trip

### N-Frame

#### Electrical Rating Data<sup>①②③</sup>

50/60 Hz			Dc		
Supply Voltage	Minimum Operating Voltage	VA	Supply Voltage	Minimum Operating Voltage	VA
24	16.8	200	24	16.8	170
48	33.6	830	48	33.6	710
60		1280	60		1150
110 <sup>④</sup>	60	100	110	77	110
120 <sup>④</sup>		120	120		130
127 <sup>④</sup>		140	125		140
208 <sup>④</sup>		420	—		—
220 <sup>④</sup>		470	—		—
240 <sup>④</sup>	550	—	—	—	
380	266	95	220	154	41
400		108	250		54
415		120	—		—
440		136	—		—
480	336	40	—	—	—
525		50	—		—
550		50	—		—
600		70	—		—

### Ordering Information

#### Shunt Trip

Voltage Rating (Ac Frequency = 50/60 Hz)	Factory Mounted				Field Mounted	
	Connection Type and Location				Field Installation Kits <sup>⑤</sup>	
	18-Inch Pigtail Leads			Terminal Block	Pigtail Leads	Terminal Block
	Same Side	Rear <sup>⑥</sup>	Opposite Side	Same Side		
Suffix Number				Catalog Number		

#### Left-Pole Mounting Ac/Dc Ratings<sup>⑥</sup>

24 Vac or Vdc	S01	S02	S03	S04	SNT5LP03K	SNT5LT03K
48-60 Vac	S05	S06	S07	S08	SNT5LP05K	SNT5LT05K
110-240 Vac <sup>④</sup>	S09	S10	S11	S12	SNT5LP11K	SNT5LT11K
110-125 Vdc	S41	S42	S43	S44	SNT5LP26K	SNT5LT26K
380-440 Vac or 220-250 Vdc	S13	S14	S15	S16	SNT5LP14K	SNT5LT14K
480-600 Vac	S17	S18	S19	S20	SNT5LP18K	SNT5LT18K
48-60 Vdc	S21	S22	S23	S24	SNT5LP23K	SNT5LT23K

Instruction Leaflet/FRED Number 29C148

- ① Approximate unlatching time – 6 milliseconds.
- ② Approximate total circuit breaker contact opening time – 18 milliseconds.
- ③ Endurance – 3000 electrical operations plus 1000 mechanical operations.
- ④ Supply voltages suitable for use with Class 1 GFP devices. Marking label included with accessory kits.
- ⑤ Listed with Underwriters Laboratories, Inc. for field installation under E64983.
- ⑥ Standard mounting location – leads exit rear of breaker.

Shunt Trip

R-Frame

Electrical Rating Data

Suffix Number	Application Ratings		Electrical Operating Ratings <sup>①②③④⑤⑥</sup>							
	Voltage (V)	Frequency (Hz)	Supply Voltage (V)	Minimum Operating Voltage (V)	I <sub>p</sub> (A)	I <sub>rms</sub> at 0.250s (A)	I <sub>rms</sub> at 0.033s (A)	VA	One Minute Dielectric Withstand Voltage (V)	
03/03K	24	50/60	24	16.8	71.1	—	50.3	1210	1050	
	24	Dc	24	16.8	—	36.1	—	870	1050	
05/05K	48-60	50/60	48 60	34.0	13.1 17.2	—	9.2 12.2	450 740	1120	
11/11K <sup>⑦</sup>	110-240	50/60	110	60.5	4.2	—	3.0	330	1480	
			120		4.5		3.2	390		
			127		4.6		3.3	430		
			208		7.9		5.6	1170		
			220		8.5		6.0	1370		
			240		8.7		6.1	1470		
14/14K	380-440	50/60	380	266.0	4.5	—	3.2	1220	1880	
			415		5.0		3.6	1500		
			440		5.3		3.7	1640		
	220-250	Dc	220	154.0	—	2.4	—	530	1500	
			250		2.7		680			
18/18K	480-600	50/60	480	336.0	0.6	—	0.4	200	2200	
			525		0.7		0.5	270		
			550		0.7		0.5	280		
			600		0.8		0.6	360		
23/23K	48-60	Dc	48	34.0	—	9.8	—	470	1120	
			60					11.6		700
26/26K	110-125	Dc	110	77.0	—	3.3	—	370	1250	
			120					3.6		440
			125					3.8		480

Shunt Trip (RH only)

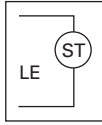
Voltage Rating (Ac Frequency = 50/60 Hz)	Factory Mounted	Field Mounted
	Connection Type and Location	Field Installation Kits <sup>⑧</sup>
	18-Inch Pigtail Leads <sup>⑥</sup>	Pigtail Leads
	Suffix Number <sup>⑨</sup>	Catalog Number <sup>⑨</sup>
24 Vac or Vdc	<b>S21</b>	<b>SNT6P03K</b>
48-60 Vac	<b>S25</b>	<b>SNT6P05K</b>
110-240 Vac	<b>S29</b>	<b>SNT6P11K</b>
380-440 Vac or 220-250 Vdc	<b>S33</b>	<b>SNT6P14K</b>
480-600 Vac	<b>S37</b>	<b>SNT6P18K</b>
48-60 Vdc	<b>S88</b>	<b>SNT6P23K</b>
110-125 Vdc	<b>S45</b>	<b>SNT6P26K</b>

Instruction Leaflet/FRED Number 29C150

- ① Approximate unlatching time of 6 milliseconds.
- ② Average circuit breaker contact total opening time approximately 62 milliseconds, at rated voltage.
- ③ Endurance – 500 electrical operations and 2500 mechanical operations.
- ④ Shunt trip can be operated up to a maximum of six times per minute.
- ⑤ Maximum operating voltage – 110% of maximum voltage range rating.
- ⑥ Pigtail wire size – No. 18 AWG (0.82 mm<sup>2</sup>). Leads are yellow and white.
- ⑦ Suitable for use with Class 1 GFP devices; marking label supplied with accessory kit.
- ⑧ Listed with Underwriters Laboratories, Inc. for field installation under E64983.
- ⑨ A maximum of two shunt trip plug-in modules may be installed in a circuit breaker.

Low Energy Shunt Trip

Low Energy Shunt Trip



General Information

Low energy shunt trip devices are designed to operate from low energy output signals from dedicated current sensors typically applied in ground fault protection schemes. However, with a proper control voltage source, they may be applied in place of conventional trip devices for special applications. Flux paths surrounding permanent magnets used in the shunt trip assembly hold a charged spring poised in readiness to operate the circuit breaker trip mechanism. When a 100

microfarad capacitor charged to 28 Vdc is discharged through the shunt trip coil, the resultant flux opposes the permanent magnet flux field, which releases the stored energy in the spring to trip the circuit breaker. As the circuit breaker resets, the shunt trip reset arm is actuated by the circuit breaker handle, resetting the shunt trip. The plug-in module is mounted in retaining slots in the top of the trip unit. Coil is intermittent-rated only. Cutoff provisions required in control circuit.

Ordering Information

Select shunt trip catalog number for the voltage within the indicated voltage range. Shunt trip coils are designed to be applied at specific Ac or Dc voltages within the voltage range shown. Electrical ratings are also shown on applicable circuit breaker accessory nameplates.

F-, J-, K-, L-, M-, N-, and R-Frames

Low Energy Shunt Trip<sup>①</sup>

Mounting Positions	Factory Mounted				Field Mounted	
	Connection Type and Location				Field Installation Kits <sup>②</sup>	
	18-Inch Pigtail Leads			Terminal Block	Pigtail Leads	Terminal Block
	Same Side	Rear <sup>③</sup>	Opposite Side	Same Side		
	Suffix Numbers				Catalog Numbers	

F-Frame

Left Pole	<b>N01</b>	<b>N02</b>	<b>N03</b>	<b>N04</b>	<b>LST1LPK</b>	<b>LST1LTK</b>
Right Pole <sup>③</sup>	<b>N05</b>	<b>N06</b>	<b>N07</b>	<b>N08</b>	<b>LST1RPK</b>	<b>LST1RTK</b>

Instruction Leaflet/FRED Number 29C141

J-Frame

Left Pole <sup>③</sup>	<b>N01</b>	<b>N02</b>	<b>N03</b>	–	<b>LST2LPK</b>	–
Right Pole	<b>N05</b>	<b>N06</b>	<b>N07</b>	–	<b>LST2RPK</b>	–

Instruction Leaflet/FRED Number 29C143

K-Frame

Left Pole <sup>③</sup>	<b>N01</b>	<b>N02</b>	<b>N03</b>	–	<b>LST3LPK</b>	–
Right Pole <sup>④</sup>	<b>N05</b>	<b>N06</b>	<b>N07</b>	–	<b>LST3RPK</b>	–

Instruction Leaflet/FRED Number 29C145

L- and M-Frames

Left Pole <sup>③</sup>	<b>N01</b>	<b>N02</b>	<b>N03</b>	–	<b>LST4LPK</b>	–
Right Pole <sup>④</sup>	<b>N05</b>	<b>N06</b>	<b>N07</b>	–	<b>LST4RPK</b>	–

Instruction Leaflet/FRED Number 29C147

N-Frame

Left Pole <sup>③</sup>	<b>N01</b>	<b>N02</b>	<b>N03</b>	–	<b>LST5LPK</b>	–
------------------------	------------	------------	------------	---	----------------	---

Instruction Leaflet/FRED Number 29C149

R-Frame

Right Pole	<b>N01</b>	–	–	–	<b>LST6RPK</b>	–
------------	------------	---	---	---	----------------	---

Instruction Leaflet/FRED Number 29C151

① Cutoff provisions required in control circuit.

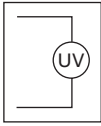
② Listed with Underwriters Laboratories, Inc. for field installation under E64983.

③ Standard mounting location – leads exit rear of breaker.

④ For use with thermal-magnetic trip units only.

Undervoltage Release Mechanism

Undervoltage Release Mechanism



General Information

The undervoltage release mechanism monitors a voltage (typically a line voltage) and trips the circuit breaker when the voltage falls to between 70 and 35 percent of the solenoid coil rating.

The undervoltage release mechanism consists of a continuous rated solenoid with a plunger and tripping lever mounted in a plug-in module. The tab on the tripping lever resets the undervoltage release mechanism

when normal voltage has been restored and the circuit breaker handle is moved to the reset (or OFF) position. With less than pickup voltage applied to the undervoltage release mechanism, the circuit breaker contacts will not touch when a closing operation is attempted.

**Note:** Undervoltage release mechanism accessories are not designed for, and should not be used as, circuit interlocks.

Ordering Information

Select handle reset undervoltage release mechanism catalog number for the voltage within the indicated voltage range. Undervoltage release mechanism coils are designed to be applied at specific Ac or Dc voltages within the voltage range shown. Electrical ratings are shown on applicable circuit breaker accessory nameplates.

G-Frame

Undervoltage Release Mechanism (LH 3-Pole only)

Electrical Ratings			Style Numbers ①②③	Factory Suffix
Volts	Frequency	Amperes		
120	50/60 Hz	0.05	1373D62G03	T1
24	50/60 Hz	0.22	1373D62G04	T2
48	50/60 Hz	0.11	1373D62G05	T3
60	50/60 Hz	0.10	1373D62G06	T4
110	50 Hz	0.049	1373D62G07	T5
208	60 Hz	0.026	1373D62G08	T6
220	50 Hz	0.025	1373D62G09	T7
240	50/60 Hz	0.024	1373D62G10	T8
380	50 Hz	0.015	1373D62G11	T9
415	50 Hz	0.013	1373D62G12	T10
440	50 Hz	0.012	1373D62G13	T11
480	60 Hz	0.01	1373D62G14	T12

Instruction Leaflet/FRED Number 15553

**Note:** G-frame circuit breakers are factory sealed. Underwriters Laboratories, Inc., requires that internal accessories be installed at the factory.

Internal accessories are UL listed for factory installation under E7819.

Where local codes and standards permit and UL listing is not required, internal accessories can be field installed. Accessory installation should be done before the circuit breaker is mounted and connected.

- ① Includes 24 inch external pigtail leads, #18 AWG (16-.010).
- ② A maximum of two internal accessories may be mounted in a three-pole circuit breaker.
- ③ Suitable for mounting in left pole only of 3-pole breaker.

Undervoltage Release Mechanism

F-Frame

Electrical Rating Data①

50/60 Hz					Dc				
Supply Voltage	Dropout Voltage		Pickup Voltage	VA	Supply Voltage	Dropout Voltage		Pickup Voltage	VA
	Min.	Max.	Max.			Min.	Max.	Max.	
12	4.2	6.3	7.6	1.3 2.5	12	4.2	8.4	10.2	2.8
24	8.4	16.8	20.4	1.4	24	8.4	16.8	20.4	1.6
48 60	21.0	33.6	40.8	1.2 1.9	48 60	21.0	33.6	40.8	1.3 2.0
110 120 127	44.5	77.0	93.5	1.3 1.5 1.7	110 120 125	44.5	77.0	93.5	1.5 1.7 1.9
208 220 240	84.0	145.6	176.8	2.2 2.4 2.9	220 250 -	87.5 -	154.0 -	187.0 -	2.6 3.4 -
380 415 440 480	168.0	266.0	323.0	2.9 3.5 3.9 4.6	- - - -	- - - -	- - - -	- - - -	- - - -
525 550 600	210.0	367.0	446.0	4.3 4.8 5.8	- - -	- - -	- - -	- - -	- - -

**Note:** F-frame circuit breakers are factory sealed. Underwriters Laboratories, Inc., requires that internal accessories be installed at the factory.

Internal accessories are UL listed for factory installation under E7819.

Where local codes and standards permit and UL listing is not required, internal accessories can be field installed. Accessory installation should be done before the circuit breaker is mounted and connected.

Undervoltage Release Mechanism

Voltage Rating (Ac Freq = 50/60 Hz)	Factory Mounted (For F-Frame Breaker and F-Frame HMCP)				Field Mounted (F-Frame Breaker)		Field Mounted (F-Frame Breaker HMCP)	
	Connection Type and Location				Field Installation Kits②			
	18-inch Pigtail Leads		Terminal Block		Pigtail Leads	Terminal Block	Pigtail Leads	Terminal Block
	Same Side	Rear③	Opposite Side	Same Side				
	Suffix Numbers				Catalog Numbers			

Left-Pole Mounting Ac Ratings

12 Vac	U01	U02	U03	U04	UVH1LP02K	UVH1LT02K	MUVH1LP02K	MUVH1LT02K
24 Vac	U05	U06	U07	U08	UVH1LP03K	UVH1LT03K	MUVH1LP03K	MUVH1LT03K
48 Vac	U37	U38	U39	U40	UVH1LP22K	UVH1LT22K	MUVH1LP22K	MUVH1LT22K
60 Vac	U97	U98	U99	U100	UVH1LP24K	UVH1LT24K	MUVH1LP24K	MUVH1LT24K
110-127 Vac	U13	U14	U15	U16	UVH1LP08K	UVH1LT08K	MUVH1LP08K	MUVH1LT08K
208-240 Vac	U17	U18	U19	U20	UVH1LP11K	UVH1LT11K	MUVH1LP11K	MUVH1LT11K
380-480 Vac	U21	U22	U23	U24	UVH1LP15K	UVH1LT15K	MUVH1LP15K	MUVH1LT15K
525-600 Vac	U25	U26	U27	U28	UVH1LP18K	UVH1LT18K	MUVH1LP18K	MUVH1LT18K

Right-Pole Mounting Ac Ratings④⑤

12 Vac	U49	U50	U51	U52	UVH1RP02K	UVH1RT02K	MUVH1RP02K	MUVH1RT02K
24 Vac	U53	U54	U55	U56	UVH1RP03K	UVH1RT03K	MUVH1RP03K	MUVH1RT03K
48 Vac	U85	U86	U87	U88	UVH1RP22K	UVH1RT22K	MUVH1RP22K	MUVH1RT22K
60 Vac	U101	U102	U103	U104	UVH1RP24K	UVH1RT24K	MUVH1RP24K	MUVH1RT24K
110-127 Vac	U61	U62	U63	U64	UVH1RP08K	UVH1RT08K	MUVH1RP08K	MUVH1RT08K
208-240 Vac	U65	U66	U67	U68	UVH1RP11K	UVH1RT11K	MUVH1RP11K	MUVH1RT11K
380-480 Vac	U69	U70	U71	U72	UVH1RP15K	UVH1RT15K	MUVH1RP15K	MUVH1RT15K
525-600 Vac	U73	U74	U75	U76	UVH1RP18K	UVH1RT18K	MUVH1RP18K	MUVH1RT18K

Left-Pole Mounting Dc Ratings

12 Vdc	U29	U30	U31	U32	UVH1LP20K	UVH1LT20K	MUVH1LP20K	MUVH1LT20K
24 Vdc	U33	U34	U35	U36	UVH1LP21K	UVH1LT21K	MUVH1LP21K	MUVH1LT21K
48 Vdc	U37	U38	U39	U40	UVH1LP22K	UVH1LT22K	MUVH1LP22K	MUVH1LT22K
60 Vdc	U97	U98	U99	U100	UVH1LP24K	UVH1LT24K	MUVH1LP24K	MUVH1LT24K
110-127 Vdc	U41	U42	U43	U44	UVH1LP26K	UVH1LT26K	MUVH1LP26K	MUVH1LT26K
220-250 Vdc	U45	U46	U47	U48	UVH1LP28K	UVH1LT28K	MUVH1LP28K	MUVH1LT28K

Right-Pole Mounting Dc Ratings④⑤

12 Vdc	U77	U78	U79	U80	UVH1RP20K	UVH1RT20K	MUVH1RP20K	MUVH1RT20K
24 Vdc	U81	U82	U83	U84	UVH1RP21K	UVH1RT21K	MUVH1RP21K	MUVH1RT21K
48 Vdc	U85	U86	U87	U88	UVH1RP22K	UVH1RT22K	MUVH1RP22K	MUVH1RT22K
60 Vdc	U101	U102	U103	U104	UVH1RP22K	UVH1RT22K	MUVH1RP22K	MUVH1RT22K
110-127 Vdc	U89	U90	U91	U92	UVH1RP26K	UVH1RT26K	MUVH1RP26K	MUVH1RT26K
220-250 Vdc	U93	U94	U95	U96	UVH1RP28K	UVH1RT28K	MUVH1RP28K	MUVH1RT28K

Instruction Leaflet/FRED Number 29C160 and 29C179 (HMCP)

① Endurance: 6000 electrical operations plus 4000 mechanical operations.

② Not listed with Underwriters Laboratories, Inc., for field installation.

③ Standard pigtail lead exit location.

④ Standard mounting location.

⑤ Not for use on right pole of 4-pole circuit breaker.

Undervoltage Release Mechanism

J-Frame

Electrical Rating Data ①②

50/60 Hz					Dc				
Supply Voltage	Dropout Voltage		Pickup Voltage	VA	Supply Voltage	Dropout Voltage		Pickup Voltage	VA
	Min.	Max.	Max.			Min.	Max.	Max.	
12	4.2	8.4	10.2	1.9	12	4.2	8.4	10.2	1.6
24	8.4	16.8	20.4	3.9	24	8.4	16.8	20.4	3.1
48 60	21.0	33.6	40.8	2.5 3.8	48 60	21.0	33.6	40.8	2.0 3.1
110 120 127	44.5	77.0	93.5	1.8 2.1 2.4	110 120 125	44.5	77.0	93.5	1.6 1.9 2.2
208 220 240	85.0	145.6	176.8	2.7 3.1 3.8	220 250 -	87.5	154.0	187.0	3.1 4.0 -
380 415 440 480	168.0	266.0	323.0	3.4 4.0 4.6 5.4	- - - -	- - - -	- - - -	- - - -	- - - -

Undervoltage Release Mechanism

Voltage Rating (Ac Freq = 50/60 Hz)	Factory Mounted				Field Mounted	
	Connection Type and Location				Field Installation Kits③	
	18-inch Pigtail Leads			Terminal Block②	Pigtail Leads	Terminal Block④
	Same Side	Rear③	Opposite Side			
	Suffix Numbers				Catalog Numbers	

Left-Pole Mounting Ac Ratings⑤

12 Vac	U05	U06	U07	U08	UVH2LP02K	UVH2LT02K
24 Vac	U09	U10	U11	U12	UVH2LP03K	UVH2LT03K
48-60 Vac	U13	U14	U15	U16	UVH2LP05K	UVH2LT05K
110-127 Vac	U17	U18	U19	U20	UVH2LP08K	UVH2LT08K
208-240 Vac	U21	U22	U23	U24	UVH2LP11K	UVH2LT11K
380-480 Vac	U25	U26	U27	U28	UVH2LP15K	UVH2LT15K

Right-Pole Mounting Ac Ratings④

12 Vac	U37	U38	U39	U40	UVH2RP02K	UVH2RT02K
24 Vac	U41	U42	U43	U44	UVH2RP03K	UVH2RT03K
48-60 Vac	U45	U46	U47	U48	UVH2RP05K	UVH2RT05K
110-127 Vac	U49	U50	U51	U52	UVH2RP08K	UVH2RT08K
208-240 Vac	U53	U54	U55	U56	UVH2RP11K	UVH2RT11K
380-480 Vac	U57	U58	U59	U60	UVH2RP15K	UVH2RT15K

Left-Pole Mounting Dc Ratings⑤

12 Vdc	T01	T02	T03	T04	UVH2LP20K	UVH2LT20K
24 Vdc	T05	T06	T07	T08	UVH2LP21K	UVH2LT21K
48-60 Vdc	T09	T10	T11	T12	UVH2LP23K	UVH2LT23K
110-127 Vdc	T13	T14	T15	T16	UVH2LP26K	UVH2LT26K
220-250 Vdc	T17	T18	T19	T20	UVH2LP28K	UVH2LT28K

Right-Pole Mounting Dc Ratings④

12 Vdc	T21	T22	T23	T24	UVH2RP20K	UVH2RT20K
24 Vdc	T25	T26	T27	T28	UVH2RP21K	UVH2RT21K
48-60 Vdc	T29	T30	T31	T32	UVH2RP23K	UVH2RT23K
110-127 Vdc	T33	T34	T35	T36	UVH2RP26K	UVH2RT26K
220-250 Vdc	T37	T38	T39	T40	UVH2RP28K	UVH2RT28K

Instruction Leaflet/FRED Number 29C163

- ① Endurance: 6000 electrical operations plus 2000 mechanical operations.
- ② For electrical rating data for manual, automatic and electrical reset undervoltage release mechanisms, refer to Cutler-Hammer.
- ③ Listed with Underwriters Laboratories, Inc. for field installation under E64983.
- ④ Not for use on right pole of 4-pole circuit breakers.
- ⑤ Standard mounting location – leads exit rear of breaker.



## Undervoltage Release Mechanism

### K-Frame

### Electrical Rating Data ①

50/60 Hz					Dc				
Supply Voltage	Dropout Voltage		Pickup Voltage	VA	Supply Voltage	Dropout Voltage		Pickup Voltage	VA
	Min.	Max.	Max.			Min.	Max.	Max.	
12	4.2	8.4	10.2	1.9	12	4.2	8.4	10.2	1.6
24	8.4	16.8	20.4	3.9	24	8.4	16.8	20.4	3.1
48 60	21.0	33.6	40.8	2.5 3.8	48 60	21.0	33.6	40.8	2.0 3.1
110 120 127	44.5	77.0	93.5	1.8 2.1 2.4	110 120 125	44.5	77.0	93.5	1.6 1.9 2.2
208 220 240	85.0	145.6	176.8	2.7 3.1 3.8	220 250 —	87.5	154.0	187.0	3.1 4.0 —
380 415 440 480	168.0	266.0	323.0	3.4 4.0 4.6 5.4	— — — —	— — — —	— — — —	— — — —	— — — —

### Undervoltage Release Mechanism

Voltage Rating (Ac Freq = 50/60 Hz)	Factory Mounted				Field Mounted	
	Connection Type and Location				Field Installation Kits <sup>②</sup>	
	18-inch Pigtail Leads			Terminal Block	Pigtail Leads	Terminal Block
	Same Side	Rear <sup>③</sup>	Opposite Side	Same Side		
	Suffix Numbers				Catalog Numbers	

#### Left-Pole Mounting Ac Ratings<sup>③</sup>

12 Vac	U05	U06	U07	U08	UVH3LP02K	UVH3LT02K
24 Vac	U09	U10	U11	U12	UVH3LP03K	UVH3LT03K
48-60 Vac	U13	U14	U15	U16	UVH3LP05K	UVH3LT05K
110-127 Vac	U17	U18	U19	U20	UVH3LP08K	UVH3LT08K
208-240 Vac	U21	U22	U23	U24	UVH3LP11K	UVH3LT11K
380-480 Vac	U25	U26	U27	U28	UVH3LP15K	UVH3LT15K

#### Right-Pole Mounting Ac Ratings<sup>④⑤</sup>

12 Vac	U37	U38	U39	U40	UVH3RP02K	UVH3RT02K
24 Vac	U41	U42	U43	U44	UVH3RP03K	UVH3RT03K
48-60 Vac	U45	U46	U47	U48	UVH3RP05K	UVH3RT05K
110-127 Vac	U49	U50	U51	U52	UVH3RP08K	UVH3RT08K
208-240 Vac	U53	U54	U55	U56	UVH3RP11K	UVH3RT11K
380-480 Vac	U57	U58	U59	U60	UVH3RP15K	UVH3RT15K

#### Left-Pole Mounting Dc Ratings<sup>③</sup>

12 Vdc	T01	T02	T03	T04	UVH3LP20K	UVH3LT20K
24 Vdc	T05	T06	T07	T08	UVH3LP21K	UVH3LT21K
48-60 Vdc	T09	T10	T11	T12	UVH3LP23K	UVH3LT23K
110-127 Vdc	T13	T14	T15	T16	UVH3LP26K	UVH3LT26K
220-250 Vdc	T17	T18	T19	T20	UVH3LP28K	UVH3LT28K

#### Right-Pole Mounting Dc Ratings<sup>④⑤</sup>

12 Vdc	T21	T22	T23	T24	UVH3RP20K	UVH3RT20K
24 Vdc	T25	T26	T27	T28	UVH3RP21K	UVH3RT21K
48-60 Vdc	T29	T30	T31	T32	UVH3RP23K	UVH3RT23K
110-127 Vdc	T33	T34	T35	T36	UVH3RP26K	UVH3RT26K
220-250 Vdc	T37	T38	T39	T40	UVH3RP28K	UVH3RT28K

Instruction Leaflet/FRED Number 29C166

- ① Endurance: 5,000 electrical operations plus 1,000 mechanical operations
- ② Listed with Underwriters Laboratories, Inc., for field installation under E64983.
- ③ Standard mounting location — leads exit rear of breaker.
- ④ For use with KT (thermal-magnetic) trip units only.
- ⑤ Not for use on right pole of 4-pole circuit breaker.

Undervoltage Release Mechanism

L- and M-Frames

Electrical Rating Data ①

50/60 Hz					Dc				
Supply Voltage	Dropout Voltage		Pickup Voltage	VA	Supply Voltage	Dropout Voltage		Pickup Voltage	VA
	Min.	Max.	Max.			Min.	Max.	Max.	
12	4.2	8.4	10.2	1.9	12	4.2	8.4	10.2	1.6
24	8.4	16.8	20.4	3.9	24	8.4	16.8	20.4	3.1
48 60	21.0	33.6	40.8	2.5 3.8	48 60	21.0	33.6	40.8	2.0 3.1
110 120 127	44.5	77.0	93.5	1.8 2.1 2.4	110 120 125	44.5	77.0	93.5	1.6 1.9 2.2
208 220 240	85.0	145.6	176.8	2.7 3.1 3.8	220 250 —	87.5	154.0	187.0	3.1 4.0 —
380 415 440 480	168.0	266.0	323.0	3.4 4.0 4.6 5.4	— — — —	— — — —	— — — —	— — — —	— — — —

Undervoltage Release Mechanism

Voltage Rating (Ac Freq = 50/60 Hz)	Factory Mounted				Field Mounted	
	Connection Type and Location				Field Installation Kits <sup>②</sup>	
	18-inch Pigtail Leads			Terminal Block	Pigtail Leads	Terminal Block
	Same Side	Rear <sup>③</sup>	Opposite Side	Same Side		
	Suffix Numbers				Catalog Numbers	

Left-Pole Mounting Ac Ratings<sup>③</sup>

12 Vac	U05	U06	U07	U08	UVH4LP02K	UVH4LT02K
24 Vac	U09	U10	U11	U12	UVH4LP03K	UVH4LT03K
48-60 Vac	U13	U14	U15	U16	UVH4LP05K	UVH4LT05K
110-127 Vac	U17	U18	U19	U20	UVH4LP08K	UVH4LT08K
208-240 Vac	U21	U22	U23	U24	UVH4LP11K	UVH4LT11K
380-480 Vac	U25	U26	U27	U28	UVH4LP15K	UVH4LT15K

Right-Pole Mounting Ac Ratings<sup>④⑤</sup>

12 Vac	U37	U38	U39	U40	UVH4RP02K	UVH4RT02K
24 Vac	U41	U42	U43	U44	UVH4RP03K	UVH4RT03K
48-60 Vac	U45	U46	U47	U48	UVH4RP05K	UVH4RT05K
110-127 Vac	U49	U50	U51	U52	UVH4RP08K	UVH4RT08K
208-240 Vac	U53	U54	U55	U56	UVH4RP11K	UVH4RT11K
380-480 Vac	U57	U58	U59	U60	UVH4RP15K	UVH4RT15K

Left-Pole Mounting Dc Ratings<sup>③</sup>

12 Vdc	T01	T02	T03	T04	UVH4LP20K	UVH4LT20K
24 Vdc	T05	T06	T07	T08	UVH4LP21K	UVH4LT21K
48-60 Vdc	T09	T10	T11	T12	UVH4LP23K	UVH4LT23K
110-127 Vdc	T13	T14	T15	T16	UVH4LP26K	UVH4LT26K
220-250 Vdc	T17	T18	T19	T20	UVH4LP28K	UVH4LT28K

Right-Pole Mounting Dc Ratings<sup>④⑤</sup>

12 Vdc	T21	T22	T23	T24	UVH4RP20K	UVH4RT20K
24 Vdc	T25	T26	T27	T28	UVH4RP21K	UVH4RT21K
48-60 Vdc	T29	T30	T31	T32	UVH4RP23K	UVH4RT23K
110-127 Vdc	T33	T34	T35	T36	UVH4RP26K	UVH4RT26K
220-250 Vdc	T37	T38	T39	T40	UVH4RP28K	UVH4RT28K

Instruction Leaflet/FRED Number 29C170

- ① Endurance: 5000 electrical operations plus 1000 mechanical operations
- ② Listed with Underwriters Laboratories, Inc. for field installation under E64983.
- ③ Standard mounting location — leads exit rear of breaker.
- ④ For use with LT (thermal-magnetic) trip units only.
- ⑤ Not for use on right pole of 4-pole circuit breaker.

## Undervoltage Release Mechanism

### N-Frame

### Electrical Rating Data ①

50/60 Hz					Dc				
Supply Voltage	Dropout Voltage		Pickup Voltage	VA	Supply Voltage	Dropout Voltage		Pickup Voltage	VA
	Min.	Max.	Max.			Min.	Max.	Max.	
12	4.2	8.4	10.2	1.9	12	4.2	8.4	10.2	1.6
24	8.4	16.8	20.4	3.9	24	8.4	16.8	20.4	3.1
48 60	21.0	33.6	40.8	2.5 3.8	48 60	21.0	33.6	40.8	2.0 3.1
110 120 127	44.5	77.0	93.5	1.8 2.1 2.4	110 120 125	44.5	77.0	93.5	1.6 1.9 2.2
208 220 240	84.0	145.6	176.8	2.7 3.1 3.8	220 250	87.5	154.0	187.0	3.1 4.0
380 415 480 500	175.0	266.0	323.0	3.4 4.0 4.6 5.4	– – – –	– – – –	– – – –	– – – –	– – – –

### Undervoltage Release Mechanism

Voltage Rating (Ac Freq = 50/60 Hz)	Factory Mounted				Field Mounted	
	Connection Type and Location				Field Installation Kits <sup>②</sup>	
	18-inch Pigtail Leads			Terminal Block	Pigtail Leads	Terminal Block
	Same Side	Rear <sup>③</sup>	Opposite Side	Same Side		
	Suffix Numbers				Catalog Numbers	

#### Left-Pole Mounting Ac Ratings<sup>③</sup>

12 Vac	<b>U05</b>	<b>U06</b>	<b>U07</b>	<b>U08</b>	<b>UVH5LP02K</b>	<b>UVH5LT02K</b>
24 Vac	<b>U09</b>	<b>U10</b>	<b>U11</b>	<b>U12</b>	<b>UVH5LP03K</b>	<b>UVH5LT03K</b>
48-60 Vac	<b>U13</b>	<b>U14</b>	<b>U153</b>	<b>U16</b>	<b>UVH5LP05K</b>	<b>UVH5LT05K</b>
110-127 Vac	<b>U17</b>	<b>U18</b>	<b>U19</b>	<b>U20</b>	<b>UVH5LP08K</b>	<b>UVH5LT08K</b>
208-240 Vac	<b>U21</b>	<b>U22</b>	<b>U23</b>	<b>U24</b>	<b>UVH5LP11K</b>	<b>UVH5LT11K</b>
380-480 Vac	<b>U25</b>	<b>U26</b>	<b>U27</b>	<b>U28</b>	<b>UVH5LP29K</b>	<b>UVH5LT29K</b>

#### Left-Pole Mounting Dc Ratings<sup>③</sup>

12 Vdc	<b>T01</b>	<b>T02</b>	<b>T03</b>	<b>T04</b>	<b>UVH5LP20K</b>	<b>UVH5LT20K</b>
24 Vdc	<b>T05</b>	<b>T06</b>	<b>T07</b>	<b>T08</b>	<b>UVH5LP21K</b>	<b>UVH5LT21K</b>
48-60 Vdc	<b>T09</b>	<b>T10</b>	<b>T11</b>	<b>T12</b>	<b>UVH5LP23K</b>	<b>UVH5LT23K</b>
110-127 Vdc	<b>T13</b>	<b>T14</b>	<b>T15</b>	<b>T16</b>	<b>UVH5LP26K</b>	<b>UVH5LT26K</b>
220-250 Vdc	<b>T17</b>	<b>T18</b>	<b>T19</b>	<b>T20</b>	<b>UVH5LP28K</b>	<b>UVH5LT28K</b>

Instruction Leaflet/FRED Number 29C174

① Endurance: 3000 electrical operations plus 1000 mechanical operations.

② Listed with Underwriters Laboratories, Inc. for field installation under E64983.

③ Standard mounting location – leads exit rear of breaker.

Undervoltage Release Mechanism

R-Frame

Ac Undervoltage Release Mechanism (Handle Reset) Ratings<sup>①②</sup>

Catalog Suffix	Application Ratings Voltage (V)	Electrical Operating Ratings				Approximate Operating Time (ms)				
		Supply Voltage (V)	Dropout Voltage (V) Min.	Max.	Pickup Voltage (V) Max.	VA	Min. <sup>③</sup> UVR Response	Initiation <sup>④</sup> Circuit Breaker Contact Separation	Maximum Circuit Breaker Contact Opening	Dielectric <sup>⑤</sup> Withstand Voltage (V)
02/02K	12	12	4.2	8.4	10.2	2.3	5	46	77	1024
03/03K	24	24	8.4	16.8	20.4	3.1	5	46	77	1048
05/05K	48-60	48 60	21.0	33.5	40.8	3.4 6.0	5	46	77	1120
08/08K	110-127	110 120 127	44.5	77.0	93.5	3.3 3.6 3.8	5	46	77	1254
11/11K	208-240	208 220 240	84.0	145.6	176.8	4.2 6.6 7.2	5	46	77	1480
29/29K	380-500	380 415 440 480 500	168.0	266.0	323.0	3.8 8.3 8.8 9.6 10.0	5	46	77	2000

Dc Undervoltage Release Mechanism (Handle Reset) Ratings<sup>①②</sup>

Catalog Suffix	Application Ratings Voltage (V)	Electrical Operating Ratings				Approximate Operating Time (ms)				
		Supply Voltage (V)	Dropout Voltage (V) Min.	Max.	Pickup Voltage (V) Max.	VA	Min. <sup>③</sup> UVR Response	Initiation <sup>④</sup> Circuit Breaker Contact Separation	Maximum Circuit Breaker Contact Opening	Dielectric <sup>⑤</sup> Withstand Voltage (V)
20/20K	12	12	4.2	8.4	10.2	3.4	5	46	77	1024
21/21K	24	24	8.4	16.8	20.4	4.3	5	46	77	1048
23/23K	48-60	48 60	21.0	33.5	40.8	4.8 7.2	5	46	77	1120
26/26K	110-127	110 120 125	43.8	77.0	93.5	3.3 3.6 3.8	5	46	77	1250
28/28K	220-250	220 250	87.5	154.0	187.0	6.6 7.5	5	46	77	1500

Undervoltage Release Mechanism (RH only)

Voltage Rating (Ac Freq = 50/60 Hz)	Factory Mounted	Field Mounted
	Connection Type and Location	Field Installation Kits <sup>①</sup>
	18-inch Pigtail Leads	Pigtail Leads
	Suffix Numbers <sup>②</sup>	Catalog Numbers <sup>②</sup>
12 Vac	U37	UVH6RP02K
24 Vac	U41	UVH6RP03K
48-60 Vac	U45	UVH6RP05K
110-127 Vac	U49	UVH6RP08K
208-240 Vac	U53	UVH6RP11K
380-500 Vac	U57	UVH6RP29K
12 Vdc	T21	UVH6RP20K
24 Vdc	T25	UVH6RP21K
48-60 Vdc	T29	UVH6RP23K
110-125 Vdc	T33	UVH6RP26K
220-250 Vdc	T37	UVH6RP28K

Instruction Leaflet/FRED Number 29C178

- ① Endurance – 500 electrical operations plus 2500 mechanical operations.
- ② Pigtail wire size – No. 18 AWG (0.82 mm<sup>2</sup>). Leads are orange and brown.
- ③ UVR will override a momentary voltage dip up to the response time shown.
- ④ Unlatching occurs 1 millisecond before circuit breaker contacts begin to separate.
- ⑤ For 1 minute.

## Accessory Terminal Block/Cutler-Hammer PowerNet Communications Kit (OPTIM 550 only)

### Accessory Terminal Block (R-Frame)

(For Fixed Mounted Configuration)



#### General Information

Internal accessory wiring leads are normally supplied with pigtail leads (No. 18 AWG) that exit from the right side of the circuit breaker. Where specified, fixed mounted accessory terminal blocks are available. A maximum of one 24-point terminal block can be installed on the right side of the circuit breaker for the internal accessories.

For convenience in determining the appropriate number of terminal block points required, refer to table at right.

#### Number of Control Wires For Each Internally Mounted Accessories

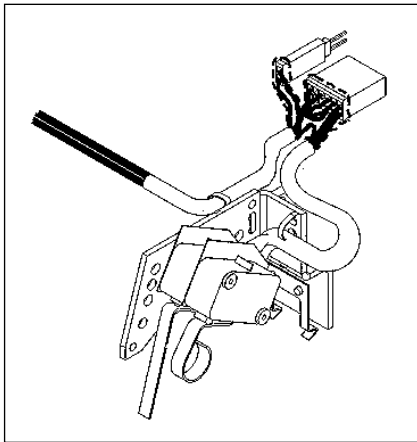
Type of Accessory	Number of Contacts Per Single Accessory	Required Number of Wires
Auxiliary Switch	2a/2b	6
	4a/4b	12
Alarm (Signal)/ Lockout Switch	1m/1b	6
	2m/2b	12
Shunt Trip	N/A	2
Low Energy Shunt	N/A	2
Undervoltage Release Mechanism	N/A	2

#### Ordering Information<sup>①</sup>

Factory Installed	Field Mounted
Suffix Number	Catalog Number
Q01	TBRDK

Instruction Leaflet/FRED Number 29C312

## Cutler-Hammer PowerNet Communications Kit (OPTIM 550 only) K-, L-, and N-Frames



#### General Information

The Cutler-Hammer PowerNet Communications Kit can be ordered to add Cutler-Hammer PowerNet communications to an existing OPTIM 550 breaker in the field. An 18-inch wiring pigtail is routed to the rear of the breaker: two wires for Cutler-Hammer PowerNet and two wires for 24V Dc (45 mA load). It is recommended that the power supply be an "isolated high quality" unit.

#### Ordering Information

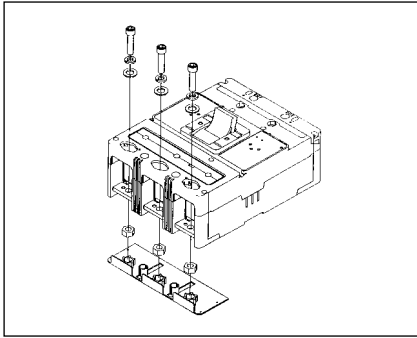
##### Cutler-Hammer PowerNet Communications Kit

Circuit Breaker	Catalog Numbers
K-Frame L-Frame N-Frame	ICK550K ICK550L ICK550N

Instruction Leaflet/FRED Number 29C506,  
29C897, 29C898

<sup>①</sup> One 24-point accessory terminal block provided with circuit breaker when ordered factory installed or shipped from warehouse as separate item when ordered for field installation. See Digitrip RMS master connection diagram (IL 29C714).

**Endcap Kit**



The endcap kit slides onto the line or load conductor of the circuit breaker and acts as a threaded adapter for the conductor to accept a ring terminal or other bolt-on connector. The endcap kit is available with English and metric thread sizes. Screws and washers are supplied by customer. (Field installation only.) Listed per UL File E7819.

**Ordering Information**

Thread Type	Thread Size	Catalog Number
		Package of 12 (Priced Individually)

**F-Frame**

Imperial	10-32	<b>KPEK1</b>
Metric	M-5	<b>KPEK1M</b>

**J-Frame**

Imperial	10-32	<b>KPEK2</b>
Metric	M-5	<b>KPEK2M</b>

**K-Frame**

Imperial	10-32	<b>KPEK3</b>
Metric	M-5	<b>KPEK3M</b>

**L-Frame**

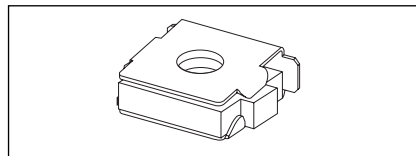
Imperial	10-32	<b>KPEK4</b>
Metric	M-5	<b>KPEK4M</b>

**Keeper Nut**

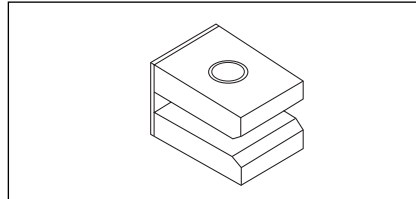
The keeper nut slides onto the line or load conductor of the circuit breaker and acts as a threaded adapter for the conductor to accept a ring terminal or other bolt-on connector. The keeper nut is available with English and metric thread sizes. Screws and washers are supplied by customer. (Field installation only.) Listed per UL File E7819.

**Ordering Information**

**F-Frame**



Thread Type	Thread Size	Catalog Number
		Package of 12 (Priced Individually)
Imperial	10-32	<b>KPR1A</b>
Metric	M-5	<b>KPR1AM</b>



**K-Frame**

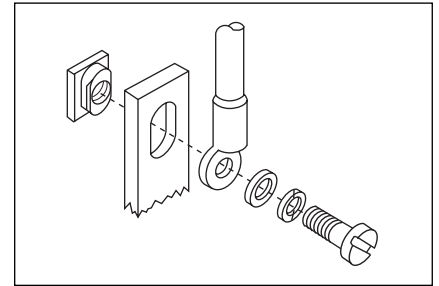
Thread Type	Thread Size	Line/Load End	Catalog Number Package of 3
Imperial	.375-16	Line Load	<b>KPR3A</b> <b>KPR3B</b>
Metric	M-8	Line Load	<b>KPR3AM</b> <b>KPR3BM</b>

**L-, M-, N-Frames**

Not required. Terminals are threaded.

**Plug Nut**

**J-Frame**



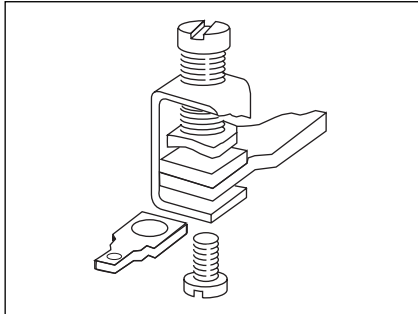
The plug nut is used in applications where screw-connected ring-type terminals are preferred to circuit breaker conductors. The plug nut is press-fit into the opening in the circuit breaker terminal conductor. Screws and washers are supplied by customer.

**Ordering Information**

Thread Type	Thread Size	Catalog Number Package of 6
Imperial	.250-20	<b>PLN2</b>
Metric	M-6	<b>PLN2M</b>

## Control Wire Terminal Kit

### F-Frame



The control wire terminal kit provides a means to tap off control power from a main disconnect using the provided male end of a quick disconnect.

For use with steel or stainless steel<sup>①</sup> terminals only.

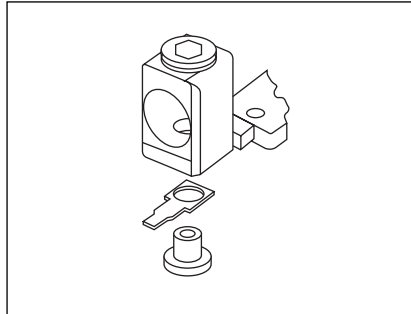
### Ordering Information

Package of 12 control wire terminal tangs. Terminals must be ordered separately. Priced individually.

Catalog Number
<b>FCWTK</b>

### J- and K-Frames

Not for use with T250KB terminals.



### Ordering Information

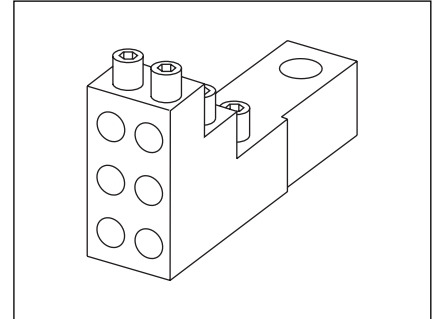
Package of 12 control wire terminal tangs. Terminals must be ordered separately. Priced individually.

Catalog Number
<b>KCWTK</b>

### L-Frame

AWG Wire Range/Number Conductors	Metric Wire Range mm <sup>2</sup>	Catalog Number
Al/Cu (2) 250 – 350 kcmil	120-150	<b>TA602LDCW</b> <sup>②</sup>
Cu (2) 3/0 – 350 kcmil	120-150	<b>T602LDCW</b> <sup>②</sup>
Al/Cu (2) 400 – 500 kcmil	185-240	<b>2TA603LDCW</b> <sup>①</sup> 2-Pole Kit
Al/Cu (2) 400 – 500 kcmil	185-240	<b>3TA603LDCW</b> <sup>①</sup> 3-Pole Kit
Al/Cu (2) 400 – 500 kcmil	185-240	<b>4TA603LDCW</b> <sup>①</sup> 4-Pole Kit

## Multi-Wire Connectors



Field-installed multi-wire connectors for the load side (OFF) end terminals. They are used to distribute the load from the circuit breaker to multiple devices without the use of separate distribution terminal blocks.

Multi-wire lug kits include mounting hardware, insulators and tin-plated aluminum connectors to replace three mechanical load lugs. UL listed for copper only as used on the load side (OFF) end.

### Ordering Information

Package of 3.

Maximum Amperes	Wires Per Terminal	Wire Size Range AWG Cu	Kit Catalog Number
-----------------	--------------------	------------------------	--------------------

#### F-Frame

225	3	#14-2	<b>3TA150F3K</b>
225	6	#14-6	<b>3TA150F6K</b>

#### J-Frame

225	3	#14-2	<b>3TA250J3K</b>
225	6	#14-6	<b>3TA250J6K</b>

#### K-Frame

400	3	#12-2/0	<b>3TA400K3K</b>
400	6	#14-2/0	<b>3TA400K6K</b>

<sup>①</sup> Terminal kits contain one terminal for each pole and one terminal cover.

<sup>②</sup> Individually packed.

Base Mounting Hardware

Base Mounting Hardware

Ordering Information

Hardware for surface mounting of circuit breakers is supplied only on request. Hardware consists of mounting screws and lockwashers. Order hardware for circuit breaker pole configurations as required.

Screw Length	Style Number
--------------	--------------

G-Frame

2.625 (66.7 mm)	624B375G23
3.000 (76.2 mm)	8703C80G05

Imperial Thread

Number of Poles	Description	Type of Mounting	Style / Catalog Number	Number of Poles	Description	Type of Mounting	Style / Catalog Number
<b>F-Frame</b>							
1	.164-32 x 3.188 inch Pan-Head Steel Screws, Lockwashers, and Clamps	Individual Group (one set of hardware for two circuit breakers)	624B375G01 624B375G02	1	M4 - 0.7 x 80 mm Pan-Head Steel Screws, Lockwashers, and Clamps	Individual Group (one set of hardware for two circuit breakers)	4218B80G09 4218B80G10
2	.164-32 x 1.5 inch Pan-Head Steel Screws and Lockwashers	Individual	4218B80G01	2	M4 - 0.7 x 38 mm Pan-Head Steel Screws and Lockwashers	Individual	4218B80G11
3, 4	.164-32 x 1.5 inch Pan-Head Steel Screws and Lockwashers	Individual	BMH1	3, 4	M4 - 0.7 x 38 mm Pan-Head Steel Screws and Lockwashers	Individual	BMH1M

J-Frame

2, 3, 4	0.250-20 x 2.75 inch Pan-Head Steel Screws and Lockwashers	Individual	BMH2	2, 3, 4	M6 - 0.7 x 70mm Pan-Head Steel Screws and Lockwashers	Individual	BMH2M
---------	--	------------	------	---------	---	------------	-------

K-Frame

2, 3, 4	0.250-20 x 1.5 inch Pan-Head Steel Screws and Lockwashers	Individual	BMH3	2, 3, 4	M6 - 0.7 x 38mm Pan-Head Steel Screws and Lockwashers	Individual	BMH3M
---------	---	------------	------	---------	---	------------	-------

L-Frame

2, 3, 4	0.250-20 x 1.5 inch Filister-Head Steel Screws and Lockwashers and Flat Washers	Individual	BMH4	2, 3	-	Individual	BMH4M
---------	---	------------	------	------	---	------------	-------

M-Frame

2, 3	0.3125-18 x 1.25 inch Filster-Head Steel Screws and Lockwashers and Flat Washers	Individual	BMH5	2, 3	-	Individual	BMH5M
------	--	------------	------	------	---	------------	-------

N-Frame

2, 3, 4	0.3125-18 x 1.25 inch Pan-Head Steel Screws and Lockwashers		BMH5	2, 3	-	Individual	BMH5M
---------	---	--	------	------	---	------------	-------

R-Frame

Supplied by customer							
----------------------	--	--	--	--	--	--	--



## Drawout Cassette

## Drawout Cassette



The drawout cassette is currently for use with the standard 3-pole 65 kA/480 Vac, 1600A and 2000A RD circuit breakers only. It consists of two separate components: the movable mechanism which is factory mounted to the circuit breaker frame (shown in figure) and the stationary mechanism which is housed in the cassette and shipped separately.

The drawout mechanism has four positions.

- Connected – The breaker is fully connected to the primary stabs and secondary contacts.
- Test – The breaker is not connected to the primary stab but is connected to the secondary contacts.
- Disconnected – Both the primary stabs and the secondary contacts are disconnected.
- Withdraw – The breaker can be removed from the cassette.

## Ordering Information

## RD Drawout Cassette

65 kA/480 Vac version

Description	Catalog Number
Movable Mechanism	<b>RD20DOM</b>
Stationary Mechanism	<b>RD20DOS</b> (without shutters) <b>RD20DOSS</b> (with shutters)

Instruction Leaflet/FRED Number 32697

**Note:** Movable mechanism must be ordered with RD or RDC circuit breaker and is shipped mounted to circuit breaker frame. Stationary mechanism is ordered separately.

All internal accessories must be factory installed for use with drawout.

## RD Drawout Cassette

100 kA/480 Vac version

Description	Catalog Number
Movable Mechanism	<b>RD20DOM</b>
Stationary Mechanism	<b>RD20DOS</b> (without shutters) <b>RD20DOSS</b> (with shutters)

Instruction Leaflet/FRED Number 32697

**Terminal Shields**

Terminal shields provide protection against accidental contact with live line side terminations. Terminal shields are fabricated from high dielectric insulating material and fasten over the front terminal access openings. Small openings in the shields provide limited access to the terminals for tightening connectors. (Field installation only.)

**Ordering Information**

**G-Frame**

**Terminal Shield**

Number Units in Package	Style Number
10	GTSK3

**J-Frame**



Number of Poles	Location	Style Number (Package of 10)
2, 3 4	Line End	1266C07G01 6631C01G01
2, 3 4	Load End	6641C16G01 6641C16G02

**L-Frame**



Style Number (Package of 1)
314CA420G01

**F-Frame**



Number of Poles	Location	Style Number	
		Standard (Package of 10) (Priced Individually)	Special - For use when electrical operator is mounted on circuit breaker
1	Line	625B229G06	—
2		625B229G07	—
3		625B229G08	4210B95G01
4		625B229G09	4210B95G02

**K-Frame**



Number of Poles	Location	Catalog Number (Package of 10)
2, 3	Line	TS33LN
4	Line	TS34LN
3	Load	TS33LD

**M-Frame**



Style Number (Package of 1)
4203B20G01

**Termination Hardware**
**Terminal End Covers**
**F-Frame**


The terminal end covers are designed for use in motor control center applications where, because of confined spaces, line side conductors are normally custom fitted. The molded end covers are made of high dielectric glass-polyester and slide over the line ends of the circuit breaker. Close fitting conductor openings are molded into the end covers. The end cover and circuit breaker case fit together to form terminal compartments that isolate discharged ionizing gases during circuit breaker tripping. Terminal end covers are available with two conductor opening diameters, 0.25 and 0.41 inch, and are listed per UL File E7819. (Field installation only.)

**Ordering Information**

The terminal end cover is available for 3-pole circuit breakers only. Two conductor opening sizes are available. Specify quantity (one per circuit breaker) when ordering.

Conductor Opening Diameter (Inches)	Catalog Number
0.25 (6.35 mm)	<b>TEC1</b>
0.41 (10.41 mm)	<b>TEC2</b>

**Interphase Barriers**

The interphase barriers provide additional electrical clearance between circuit breaker poles for special termination applications. The barriers are high dielectric insulating plates that are installed in the molded slots between the terminals. (Field installation only.) Two per package.



Frame	Catalog Number
F	<b>IPB1</b>
J	<b>IPB2</b>
K	<b>IPB3</b>
L	<b>IPB4</b>
M	<b>IPB4</b>
N	<b>IPB5</b>

Base Mounting Adapters

**Base Mounting Plate<sup>①</sup>**  
**G-Frame GD/GC/GHC**



**Ordering Information**

Number Units in Package	Style Number
1	207B513G01

**DIN Rail Adapter<sup>②③</sup>**  
**G-Frame GD/GC/GHC**

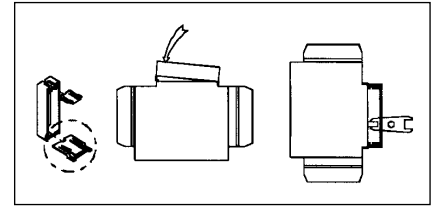


**Ordering Information**

Number Units in Package	Style Number
10	1225C79G01
10	1225C79G02 <sup>④</sup>

Instruction Leaflet/FRED Number 29C091

**Key Operated Attachment**  
**G-Frame GD/GC/GHC**



**Ordering Information**

Number Units in Package	Style Number
10	GK0A

Instruction Leaflet/FRED Number 29C090

- ① Suitable for mounting (6) single-pole circuit breakers.
- ② For use with standard 35 mm DIN Rail such as, 35 x 7.5 or 35 x 15 mm per DIN EN50022.
- ③ Adapter mounting screws included are for use with 2- and 3-pole circuit breakers. Adapters for 1-pole circuit breakers clip into the base molding.
- ④ For use on 3-pole breakers only.

Handle Locking and Blocking Devices

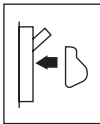
**Lock Dog (non-padlockable)**  
**G-Frame GD/GC/GHC/GB/**  
**GHB/GMCP**



**Ordering Information**

Number Units in Package	Style Number
1	1294C01H01

**Non-Padlockable  
Handle Block**



The nonlockable handle block secures the circuit breaker handle in either the ON or OFF position. (Trip-free operation allows the circuit breaker to trip when the handle block holds the circuit breaker handle in the ON position.) The device is positioned over the circuit breaker handle and secured by a setscrew to deter accidental operation of the circuit breaker handle. Listed per UL File E7819. (Field installation only.)

**Ordering Information**

Frame	Catalog Number
F	LKD1
J, K	LKD3
L, M, N	LKD4

**Padlockable Handle**  
**G-Frame GD/GC/GHC/GB/GHB**



**Ordering Information**

Number Units in Package	Style Number
10	1223C77G03

(Accepts .285 Lock Shank)

**Padlockable Handle Block**



The device is positioned in the cover opening to prevent handle movement. Will accommodate one 5/16 padlock.

**Ordering Information**

Frame	Catalog Number
J, K	PHB3

**Snap-On Padlockable  
Handle Lock Hasp**



The snap-on padlockable handle lock allows the handle to be locked in the OFF or ON position. (Trip-free operation allows the circuit breaker to trip when the handle lock holds the circuit breaker handle in the ON position.) This device was designed for use on the 1-pole circuit breaker, but may be used on 1-, 2-, 3-, and 4-pole styles. The handle lock snaps onto the escutcheon area of the handle with an optional retaining screw for added secureness. The handle lock will accommodate one padlock with a 1/4-inch (6 mm) shackle. Listed per UL File E7819. (Field installation only.)

**Ordering Information**

Frame	Catalog Number
F	PHB1

Handle Locking and Blocking Devices

Padlockable Handle Lock Hasp



The padlockable handle lock hasp allows the handle to be locked in the ON or OFF position. (Trip-free operation allows the circuit breaker to trip when the handle lock holds the circuit breaker handle in the ON position.) The hasp mounts on the circuit breaker cover within the trimline. The cover is predrilled on both sides of the operating handle so that the hasp can be mounted on either side of the handle. The hasp will accommodate up to three padlocks with 1/4-inch (6 mm) shackles. Listed per UL File E7819. (Field installation only.)

The padlockable handle lock can be mounted on either side of the operating handle. One per circuit breaker. (Field installation only.)

Ordering Information

Description	Catalog Number
-------------	----------------

F-Frame

1-pole breakers	PHL1
2-, 3-, 4-pole breakers	PLK1

Instruction Leaflet/FRED Number 29C230

J, K-Frames

2-, 3-, 4-pole breakers	PLK3
For Left Side Mounting	PLK3LOFF①
For Right Side Mounting	PLK3ROFF①

Instruction Leaflet/FRED Number 29C232

L-Frame

Side Mounted	
Lock On or Off	HLK4
Lock Off Only (Left-Hand Mount)	HLK4LOFF①

Instruction Leaflet/FRED Number 29C234

Top Mounted	
Lock On or Off	HLK4S
Lock Off Only	HLK4SOFF①

Instruction Leaflet/FRED Number 29C234C

M-Frame

Lock On or Off	HLK4
Lock Off Only (Left-Hand Mount)	HLK4LOFF①

Instruction Leaflet/FRED Number 29C234

Vertical Mounting	
Lock On/Off	HLK45
Lock Off Only	HLK45OFF

Instruction Leaflet/FRED Number 29C234C

N-Frame

Side Mounted	PLK5
--------------	------

Instruction Leaflet/FRED Number 29C234

Top Mounted (On/Off)	PLK5S
Top Mounted (Off Only)	PLK5SOFF①

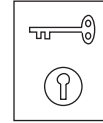
Instruction Leaflet/FRED Number 29C234C

R-Frame

Lock On/Off	HLK6
Lock Off Only	HLK6OFF①

Instruction Leaflet/FRED Number 29C240

Cylinder Lock



The cylinder lock internally blocks the trip bar in the tripped position to prevent the circuit breaker from being switched to ON. The cylinder lock is factory installed in the circuit breaker cover. Other internally mounted accessories cannot be installed in the same pole as the cylinder lock. (Factory installation only.)

The cylinder lock is factory installed in the left pole only of the circuit breaker cover. Internal accessories cannot be installed in the same pole as the cylinder lock.

Ordering Information

Frames	Catalog Number
F, J, K	Order by description

① For padlockable handle lock hasp to padlock handle in OFF position only order either catalog number.

## Mechanical Interlocking Devices

### Key Interlock Kit (Lock Not Included)



The key interlock is used to externally lock the circuit breaker handle in the OFF position. When the key interlock is locked, an extended deadbolt blocks movement of the circuit breaker handle. Uniquely coded keys are removable only with the deadbolt extended. Each coded key controls a group of circuit breakers for a given specific customer installation.

The key interlock assembly is Underwriters Laboratories, Inc., listed for field installation under UL file E7819 and consists of a mounting kit and a purchaser supplied deadbolt lock. The mounting kit comprises a mounting plate, which is secured to the circuit breaker cover in either the left- or right-pole position, key interlock mounting screws, and a wire seal. Specific mounting kits are required for individual key interlock types.

### Ordering Information

Key interlock mounting kits are for field installation only. Select mounting kit catalog numbers to match type of lock used. Key interlocks are supplied by customer.

Lock Manufacturer	Lock Type	Bolt Projection in Withdrawn Position	Kit Catalog Number
-------------------	-----------	---------------------------------------	--------------------

#### F-Frame

Superior	B-4003-1	3/8 inch	<b>KYK1</b>
Kirk	F	3/8 inch	
Square D	SF	None	
Federal Pioneer	VF	3/8 inch	
Castell	K or QK	3/8 inch	<b>CTK1</b>

Instruction Leaflet/FRED Number 29C231

#### J-, K-Frames

Superior	B-4003-1	3/8 inch	<b>KYK3</b>
Kirk	F	3/8 inch	
Square D	SF	None	
Federal Pioneer	VF	3/8 inch	
Castell	K or QK	3/8 inch	

Instruction Leaflet/FRED Number 29C233

#### L-, M-, N-Frames

Superior	B-4003-1	3/8 inch	<b>KYK4</b>
Kirk	F	3/8 inch	
Square D	SF	None	
Federal Pioneer	VF	3/8 inch	
Castell	K or QK	3/8 inch	<b>CTK4</b>

Instruction Leaflet/FRED Number 29C235

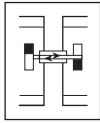
#### R-Frame

Superior	B-4003-1	1 inch	<b>KYK6</b>
Kirk	F	1 inch	
Square D	SF	1 inch	
Federal Pioneer	VF	1 inch	
Castell	K or QK	1 inch	<b>CTK6</b>

Instruction Leaflet/FRED Number 29C240

Mechanical Interlocking Devices

**Sliding Bar Interlock**



The sliding bar interlock provides mechanical interlocking between two adjacent 3-pole circuit breakers. It is installed on the enclosure cover between the circuit breakers. When the sliding bar interlock handle is moved from one side to the other, a bar extends to alternately block movement of the circuit breaker handles and prevents both circuit breakers from being switched to ON at the same time. Sliding bar interlocks are not UL listed. (Field installation only.)

**Ordering Information**

The sliding bar interlock is available for mounting between two adjacent 3-pole circuit breakers with circuit breakers centerline spacing as indicated in table and enclosure front panel thickness of 1/8 or 3/16 inch. (For field installation only.)

Frame	Centerline Spacing (inches)	Catalog Number	Instruction Leaflet/FRED Number
F	4-3/16	<b>SBK1</b>	29C310
J	4-3/8	<b>SBK2</b>	29C310
K	5-3/4	<b>SBK3</b>	29C310
L, M	8-1/2	<b>SBK4</b>	29C311
N	8-1/2	<b>SBK5</b>	46A8396



**Walking Beam Interlock**

The walking beam interlock provides mechanical interlocking between two adjacent circuit breakers of the same pole configuration. The walking beam interlock mounts on a bracket behind and between the circuit breakers. A plunger on each end of the beam is inserted through an access hole in the back plate and base of each circuit breaker. The walking beam interlock prevents both circuit breakers from being switched ON at the same time. If a walking beam interlock is installed, the wiring troughs in the back of the circuit breaker case are blocked by the plungers and cannot be used for cross wiring. Factory modified circuit breakers are required for this application. UL File E3816.

**Ordering Information**

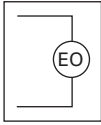
The walking beam interlock is available for mounting between two adjacent circuit breakers spaced 1/4-inch apart and having the same pole configuration. The two circuit breakers must be factory modified to accept the walking beam interlock assembly (suitable for use with either 2-, 3-, or 4-pole circuit breakers). With properly modified circuit breakers, the walking beam interlock is suitable for field installation. Order circuit breakers specifying modification for walking beam and select walking beam interlock from table on this page. Circuit breakers and walking beam interlock are boxed and shipped separately.

Frame	Catalog Number	Instruction Leaflet/FRED Number
F	<b>WBL1</b>	29C300
K	<b>WBL3</b>	29C301
L, M	<b>WBL4</b>	29C302
N	<b>WBL5</b>	29C303
R	<b>WBL6</b>	29C304



Electrical Operator

Electrical Operator<sup>①</sup>



The electrical (solenoid) operator is a single solenoid mechanism that enables local and remote circuit breaker ON, OFF, and reset switching. The electrical operator is mounted on the circuit breaker cover within the trimline of the circuit breaker. The electrical operator uses a unique bistable latch that allows the device to operate using one solenoid. The accessory provides high-speed switching with a maximum operating time of 5 cycles (80 ms) making it suitable for generator synchronizing applications.

Means are provided for remote electrical operation and for local manual operation. A special slide includes provisions for padlocking the circuit breaker handle in the OFF position. The slide will accept three padlock shackles with a maximum diameter of 1/4-inch (6 mm) each. An interlock electrically disconnects the solenoid when the electrical operator cover is removed. The above table provides electrical rating data for the electrical (solenoid) operator.

The electrical (solenoid) operator is Underwriters Laboratories, Inc., listed as a circuit breaker accessory under UL File E64983.

Ordering Information

F-Frame

Electrical Rating Data<sup>②</sup>

Voltage	Frequency	Inrush Current Amperes	Maximum Operating Time	Fuse <sup>③</sup> Amperes
120 <sup>④</sup> 240 <sup>④</sup>	50/60 Hz Ac	10 5	5 cycles (80 ms)	3 2
120 <sup>⑤</sup> 240 <sup>⑤</sup>	Dc Dc	14 8	5 cycles (80 ms)	3-5 2-3

Instruction Leaflet/FRED Number 29C200 (AC); 29C210 (DC)

Electrical Operator

Voltage	Frequency	Terminal Block	18-Inch Pigtail Lead
		Catalog Number	
120 240	Ac	EOP1T07 EOP1T11	EOP1P07 EOP1P11
120 240	Dc	EOP1T07DC EOP1T11DC	EOP1P07DC EOP1P11DC

J-Frame

Electrical Rating Data<sup>⑤⑥⑦⑧</sup>

Voltage (V) <sup>③</sup>	Inrush Current (A)	Fuse (A)
120 240	24 12	6 4

Instruction Leaflet/FRED Number 29C202 (AC); 29C211 (DC)

Electrical Operator

Operating Voltage	Frequency	Terminal Block
		Catalog Number
120 240	50/60 Hz Ac	EOP2T07 EOP2T11
120 240	Dc	EOP2T07DC EOP2T11DC

K-Frame

Electrical Rating Data<sup>⑤⑥⑦⑧</sup>

Voltage (V) <sup>③</sup>	Inrush Current (A)	Fuse (A)
120 240	24 12	6 4

Instruction Leaflet/FRED Number 29C202 (AC); 29C211 (DC)

Electrical Operator

Operating Voltage	Frequency	Terminal Block
		Catalog Number
120 240	50/60 Hz Ac	EOP3T07 EOP3T11
120 240	Dc	EOP3T07DC EOP3T11DC

① The electrical operator design is endurance tested for 10,000 electrical operations.  
 ② Use current-limiting type fuse where required.  
 ③ Tolerance: +10%, -15% of nominal voltage.  
 ④ Tolerance: ±10% of nominal voltage.  
 ⑤ Underwriters laboratories listed under UL file E64983.  
 ⑥ The electrical operator design has been endurance tested for 6,000 electrical operations.  
 ⑦ Frequency: 50/60 Hz.  
 ⑧ Maximum operating time: 5 cycles (80 ms).

Electrical Operator

The motor operator allows the circuit's breaker to be opened, closed, or reset remotely. It also has a lock-off capability and provisions for manual operation.

The motor operator contains a reversible motor connected to a ball screw. The ball screw drives the circuit breaker handle. Limit switches and relays are used to control the motor.

The motor operator is UL listed as a recognized component suitable for field installation on all type L-frame circuit breakers and molded case switches under UL File E64124.

From the point of energization of the closing mechanism at 85% voltage, the closing time is 30 cycles ± 10%.

Ordering Information

L- and M-Frames

Electrical Rating Data ①②③④

Voltage (V)⑤	Inrush Current (A)
120 Ac 208 240	8 5 4
125 Dc 24	9 27

Instruction Leaflet/FRED Number 29C203

Electrical Operator

Operating Voltage	Frequency	Terminal Block
		Catalog Number
120 208 240 480	50/60 Hz	EOPM4T07 EOPM4T11 EOPM4T11A EOPM4T15
125 24	Dc	EOPM4T26 EOPM4T21

N-Frame

Electrical Rating Data ①③⑥⑦

Voltage (V)⑤	Frequency	Inrush Current (A)	Fuse (A)
120 208 240 480	50/60 Hz	25 21 19	6 4
48 125	Dc	80 13	

Instruction Leaflet/FRED Number 29C204

Electrical Operator

Operating Voltage	Frequency	Pigtail Leads
		Catalog Number
120 208 240 480	50/60 Hz	EOP5T07 EOP5T09 EOP5T11 EOP5T15
48 125	Dc	EOP5T22 EOP5T26

R-Frame

Available Motor Operator Ratings and Operating Conditions ⑧⑨⑩⑪

Rating Voltage (V)⑫	Frequency	Motor Inrush Current (A)
120 240 48	50/60 Hz 50/60 Hz Dc	40 27 53

Instruction Leaflet/FRED Number 29C205

Electrical Operator

Operating Voltage	Frequency	Factory Installed Terminal Block
		Catalog Number
120 240 48	50/60 Hz 50/60 Hz Dc	EOP6T08K EOP6T11K EOP6T21K

① Underwriters Laboratories Inc. listed under UL File E64983.  
 ② The electrical operator design has been endurance tested for 6,000 electrical operations.  
 ③ Frequency: 50/60 Hz.  
 ④ Maximum operating time: 5 cycles (80 ms).  
 ⑤ Tolerance: +10%, -15% of nominal voltage.  
 ⑥ The electrical operator design has been endurance tested for 2,500 electrical operations.  
 ⑦ Maximum operating time: 12 cycles max. Operator is an intermittent duty device. The safe duty cycle (OFF to ON to OFF) should not exceed one per minute.

⑧ Operator is an intermittent duty service. The safe duty cycle (OFF to ON to OFF) should not exceed one per minute.  
 ⑨ Electric Operating time at rated voltage;  
 (a) To turn breaker ON – 1/2 second max.  
 (b) To turn breaker OFF – 1/2 second max.  
 ⑩ Motor operating temperature; Class "A" temperature limits apply.  
 ⑪ A minimum 1 kVA power source is recommended for motor operation.  
 ⑫ Applied voltage should be no less than 85% or no more than 110% of rated.

Plug-in Adapters

Plug-in Adapters



Plug-in adapters simplify installation and front removal of circuit breakers. Individual line and load plug-in adapters are available for rear connection applications on 2-, 3-, and 4-pole circuit breakers. Common mounting plates for line- and load-end adapters are available.

Ordering Information

F-Frame

Continuous Current Rating (Amperes)	2-Pole	3-Pole	4-Pole
	Style Number		
100 150-225	507C036G13 507C036G14	507C036G15 507C036G16	179C968G03 179C968G04
Mounting Plate	176C511H01	507C047H01	①

Instruction Leaflet/FRED Number 13782

K-Frame

Continuous Current Rating (Amperes)	Catalog Number		
	2-Pole	3-pole	4-Pole
400	PAD32	PAD33	PAD34
Mounting Plate	②	PMP33	PMP34

Instruction Leaflet/FRED Number 15378

L-Frame

Continuous Current Rating (Amperes)	Catalog Number	
	2-Pole	3-pole
600	506C059G03	506C059G04
Mounting Plate	504C824H01	504C824H01

Instruction Leaflet/FRED Number 29C314

J-Frame

Continuous Current Rating (Amperes)	Terminal End	2-Pole	3-Pole	4-Pole
		Style/Catalog Number		
250	Line Load 1 Line and 1 Load	1260C86G05 1260C86G07 506C144G27	1260C86G06 1260C86G08 506C144G28	1231C67G01 1231C67G02 -
Mounting Plate	-	②	PMP23	-

Instruction Leaflet/FRED Number 149321

M-Frame

Continuous Current Rating (Amperes)	Catalog Number	
	2-Pole	3-Pole
800	2614D53G05	2614D53G06
Mounting Plate	1290C73H01	

Instruction Leaflet/FRED Number 15073

N-Frame

Continuous Current Rating (Amperes)	Style Number	
	2-Pole	3-pole
1200	2614D53G03	2614D53G04
Mounting Plate	1290C73H01	

Instruction Leaflet/FRED Number 13782

① Refer to Cutler-Hammer for availability.

② Use 3-pole mounting plate for 2-pole circuit breaker.

Rear Connecting Studs

Rear Connecting Studs

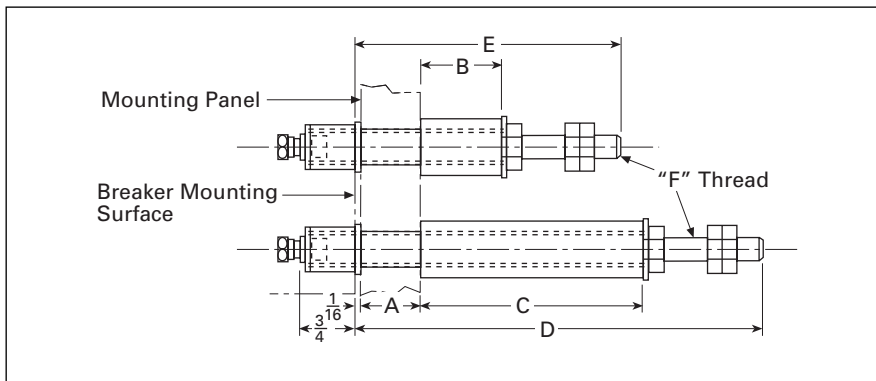


Rear connecting studs are available in several sizes to accommodate specific fixed-mounted circuit breaker applications.

Each rear connecting stud assembly consists of one stud and one tube. To maintain proper clearances between poles, select alternate long and short stud assemblies for circuit breakers with more than one pole. One assembly is required for line-end and one for load-end of each pole. Tubes must be ordered separately. Connecting studs are available only with English thread sizes.

Ordering Information

F-Frame



Stud Ampere Rating	Stud Style Number	Panel Thickness (Inches)	Tube Length (Inches)		Tube Style Number	Dimensions (Inches)		
		A	B	C		D	E	F

For 15A to 100A Circuit Breakers

100A Short	451D874G01	1	11/16	—	32B9446H20	—	3-5/8	15/16 - 18
100A Short	451D874G01	1-1/16 to 15/16	13/8	—	32B9446H21	—	—	
100A Short	451D874G01	3/8 to 5/8	1-11/16	—	32B9446H22	—	—	
100A Short	451D874G01	1/4 to 5/16	2	—	32B9446H23	—	—	
100A Long	451D874G02	1	—	3-7/16	32B9446H24	6-1/8	—	
100A Long	451D874G02	1-1/16 to 15/16	—	3-3/4	32B9446H25	—	—	
100A Long	451D874G02	3/8 to 5/8	—	4-1/16	32B9446H26	—	—	
100A Long	451D874G02	1/4 to 5/16	—	4-3/8	32B9446H27	—	—	

For 110A to 150A Circuit Breakers

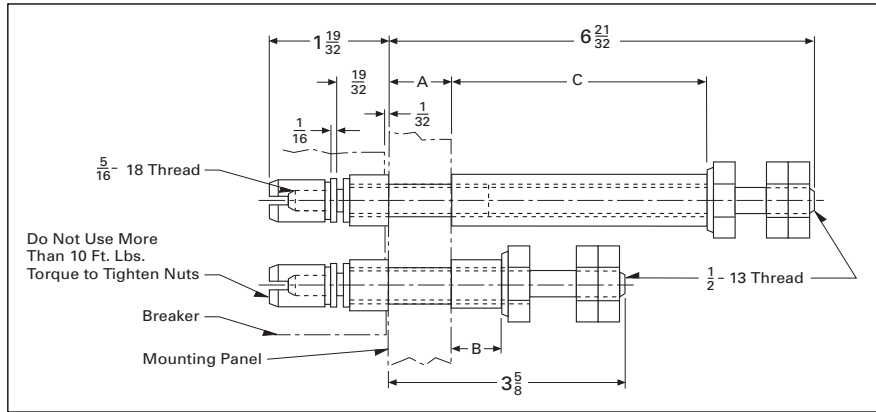
150A Short	374D883G01	1	11/16	—	374D883H06	—	4-1/4	1/16 - 14
150A Short	374D883G01	11/16 to 15/16	13/8	—	374D883H07	—	—	
150A Short	374D883G01	3/8 to 5/8	1-11/16	—	374D883H08	—	—	
150A Short	374D883G01	1/4 to 5/16	2	—	374D883H09	—	—	
150A Long	374D883G02	1	—	3-7/16	374D883H10	7-1/2	—	
150A Long	374D883G02	11/16 to 15/16	—	3-3/4	374D883H11	—	—	
150A Long	374D883G02	3/8 to 5/8	—	4-1/16	374D883H12	—	—	
150A Long	374D883G02	1/4 to 5/16	—	4-3/8	374D883H13	—	—	

Rear Connecting Studs

Rear Connecting Studs

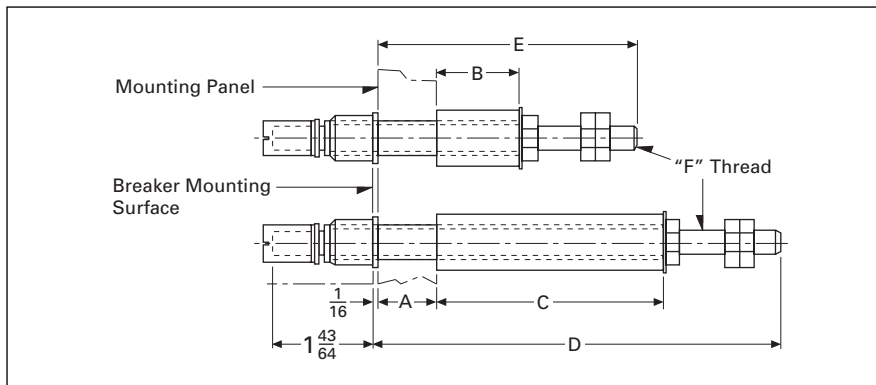
Ordering Information

J-Frame



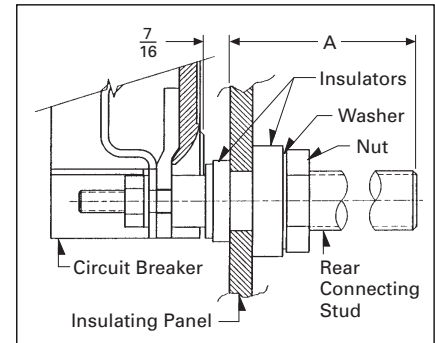
Stud Ampere Rating	Stud Style Number	Panel Thickness (Inches)		Tube Length (Inches)		Tube Style Number
		A	B	C		
250A Short	5010D23G01	3/4 - 1		27/32	-	456D983H05
250A Short	5010D23G01	1/2 - 3/4		1-3/32	-	456D983H06
250A Short	5010D23G01	1/4 - 1/2		1-1/32	-	456D983H07
250A Long	5010D23G02	3/4 - 1			37/8	5010D23H05
250A Long	5010D23G02	1/2 - 3/4			41/8	5010D23H06
250A Long	5010D23G02	1/4 - 1/2			43/8	5010D23H07

K-Frame



Stud Length	Stud Style Number	Panel Thickness (Inches)		Tube Length (Inches)		Standard Tube Style Number	Dimensions (Inches)		
		A	B	C	D		E	F	
400A Short	6642C14G02	3/4 to 1		27/32	-	313C909H17	-	3-21/32	3/4 - 16
400A Short	6642C14G04	1/2 to 3/4		1-3/32	-	313C909H18	-		
400A Short	6642C14G06	1/4 to 1/2		1-11/32	-	313C909H19	-		
400A Long	6642C14G03	3/4 to 1			3-25/32	313C909H20	-		
400A Long	6642C14G05	1/2 to 3/4			4-1/32	313C909H21	6-37/64		
400A Long	6642C14G07	1/4 to 1/2			4-9/32	313C909H22	-		

L-Frame



Stud Length (A)	Stud Style Number
5-15/32	314C960G07
7-31/32	314C960G08
10-15/32	314C960G09

M-Frame①

Stud Ampere Rating	Diameter, Inches and Thread	Extension Back of Breaker, Inches	Stud Style Numbers
225	1/2-13	3-21/32	314C960G01
400	3/4-16	5-29/32	314C960G04
400	3/4-16	8-13/32	314C960G05
400	3/4-16	10-29/32	314C960G06
600	1-12	5-29/32	314C960G07
600	1-12	8-13/32	314C960G08
600	1-12	10-29/32	314C960G09
800	1-1/8-12	5-29/32	314C960G10
800	1-1/8-12	8-13/32	314C960G11
800	1-1/8-12	10-29/32	314C960G12

N-Frame①

Stud Ampere Rating	Diameter, Inches and Thread	Extension Back of Breaker, Inches	Stud Style Numbers
800	1-1/8-12	5-1/2	623B222G01
800	1-1/8-12	8	623B222G02
800	1-1/8-12	10-1/2	623B222G03
1200	1-1/4-12	5-1/2	373B375G04
1200	1-1/4-12	10-1/2	373B375G03

① Not UL listed.

Panelboard Connecting Straps

Panelboard Connecting Straps



Panelboard connecting straps are used to connect the circuit breaker terminals to the panelboard bus. The panelboard connecting straps are available with various ratings for outside and center poles. (Field installation only.)

Ordering Information

Panelboard connecting straps are available to meet the needs of most standard panelboard applications. Style numbers for mounting brackets for CDP panelboard installations are also included.

Refer to panelboard manufacturer for compatibility.

F-Frame

Panelboard Connecting Straps

Bus Spacing (Inches)	Continuous Current Rating (Amperes)	Pole Connector Type	
		Center	Outside
		Style Number	

5-3/4-Inch Deep Box, 600 Vac Maximum

2-3/4	50	673B142G02	673B142G09
2-3/4	100	673B142G02	673B142G10
2-3/4	150	673B142G04	673B142G03
3-1/2	50	1253C72G01	1253C72G03
3-1/2	100	1253C73G03	1253C73G06
3-1/2	150	1253C73G01	1253C73G05

Mounting Bracket

Number of Poles	Style Number
2	624B600H02
3	624B600H01

J-Frame

Panelboard Connecting Straps

Bus Spacing (Inches)	Continuous Current Rating (Amperes)	Pole Connector Type	
		Center	Outside
		Style Number	
3-1/2	250	2600D26G01	2600D26G02

Mounting Bracket

Number of Poles	Style Number
2, 3	1576707

K-Frame

Panelboard Connecting Straps

Bus Spacing (Inches)	Continuous Current Rating (Amperes)	Pole Connector Type	
		Center	Outside
		Style Number	
3-1/2	400	4212B78G02	4212B77G01

Mounting Bracket

Number of Poles	Style Number
2, 3	208B264H01

L-Frame

Panelboard Connecting Straps

Continuous Current Rating (Amperes)	Pole Connector Type	
	Center	Outside
Style Number		
600	624B609G01	506C052G01

Mounting Bracket

Number of Poles	Style Number
2, 3	208B297H01

M-Frame

Panelboard Connecting Straps

Bus Spacing (Inches)	Continuous Current Rating (Amperes)	Connector Type	Pole Connector Type
			Style Number
3-1/2	800	Short Medium Long	314C996G01 314C996G02 314C996G03

Mounting Bracket

Style Number
315C270H01

N-Frame

Panelboard Connecting Straps

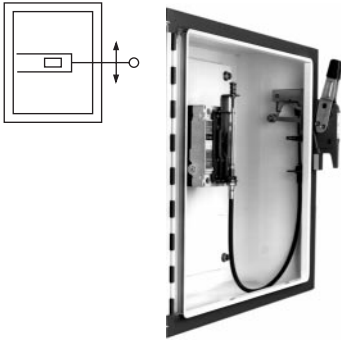
Bus Spacing (Inches)	Continuous Current Rating (Amperes)	Connector Type	Pole Connector Type
			Style Number
3-1/2	1200	Short Medium Long	505C606G04 505C606G05 505C606G06

Mounting Bracket (Four (4) Required)

Style Number
315C270H01

## Handle Mechanisms

### Flange Mounted Flex Shaft™



The Flex Shaft type handle mechanism is an extra heavy-duty handle mechanism designed for mounting in flange-type enclosures. An operating handle, flexible shaft, and mechanism are required for standard application.

The handle can be locked in the RESET position with up to three padlocks. The handle is suitable for Types 1, 3R, 4<sup>①</sup>, 4X<sup>①</sup>, and 12 fabricated enclosures. The handle fits the industry standard cutout.

Eight lengths of shafts are available for use with the wide range of depths of various enclosures (3 feet through 10 feet). These choices enable this mechanism to be mounted in various depth, width, and height enclosures.

**Note:** when selecting the length of shaft, ensure minimum bending radius of 4 inches is maintained to operate properly.

The standard method of shipment includes the mechanism preset at the factory; however, minor field adjustments may be required.

For this publication, the term Circuit Breaker shall also include the molded case switch and Series C motor circuit protector (HMCP).

UL File E64893.

① Type 4/4X handle mechanisms are available. Add suffix X to complete catalog number.

② Add suffix I to complete catalog number for IEC handle. Add suffix L to complete catalog number for 6-inch handle.

### Ordering Information

Catalog Number includes complete assembly consisting of C371 handle, flexible shaft, operating mechanism, and door interlock hardware to fit industry standard flange cutout.

Length of Flex Shaft (in feet)	Catalog Number
-----------------------------------	-------------------

#### F-Frame<sup>②</sup>

3	F1S03C
4	F1S04C
5	F1S05C
6	F1S06C
7	F1S07C
8	F1S08C
9	F1S09C
10	F1S10C

Instruction Leaflet/FRED Number 15609

#### J-Frame<sup>②</sup>

3	F2S03C
4	F2S04C
5	F2S05C
6	F2S06C
7	F2S07C
8	F2S08C
9	F2S09C
10	F2S10C

Instruction Leaflet/FRED Number 15605

#### K-Frame<sup>②</sup>

3	F3S03C
4	F3S04C
5	F3S05C
6	F3S06C
7	F3S07C
8	F3S08C
9	F3S09C
10	F3S10C

Instruction Leaflet/FRED Number 15604

#### L- and M-Frames

4	F4S04
5	F4S05
6	F4S06
10	F4S10

Instruction Leaflet/FRED Number 15606

#### N-Frame

4	F5S04
5	F5S05
6	F5S06
10	F5S10

Instruction Leaflet/FRED Number 15606

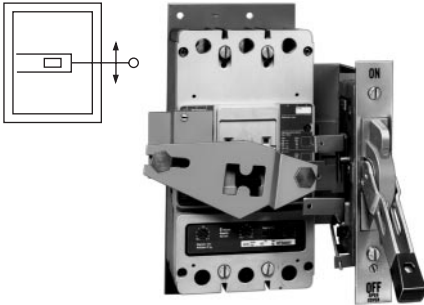
#### R-Frame

4	F6S04
5	F6S05
6	F6S06

Instruction Leaflet/FRED Number 15606

Handle Mechanisms

Flange Mounted  
Type SM Safety



The SM safety handle mechanism provides a means of externally operating a circuit breaker mounted in an enclosure and is designed to reduce the possibility of circuit breaker tampering. The handle mechanism is especially suited for use in automotive and machine tool industries through its conformance to Type 12 and J. I. C. requirements. A specially modified handle mechanism for Type 4 enclosure application is also available order by description. The handle mechanism will accept up to three padlock shackles, each with a maximum diameter of 3/8 inch (9.52mm). UL File E64893.

Ordering Information

Description		Catalog Number
<b>F-Frame</b>		
Right-Hand Mounting Enclosure Cover	Hinged on Left	<b>SM150R</b>
Left-Hand Mounting Enclosure Cover	Hinged on Right	<b>SM150L</b>

Instruction Leaflet/FRED Number 14439

**J-Frame**

Right-Hand Mounting Enclosure Cover	Hinged on Left	<b>SM250JR</b>
Left-Hand Mounting Enclosure Cover	Hinged on Right	<b>SM250JL</b>

Instruction Leaflet/FRED Number 29C274

**K-Frame**

Right-Hand Mounting Enclosure Cover	Hinged on Left	<b>SM400KR</b>
Left-Hand Mounting Enclosure Cover	Hinged on Right	<b>SM400KL</b>

Instruction Leaflet/FRED Number 29C274

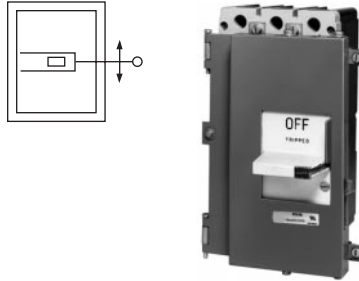
**L- and M-Frames**

Hinged on Left	<b>SM600R</b>
Hinged on Right	<b>SM600L</b>

Instruction Leaflet/FRED Number 29C284

① Width spacer kits cannot be used with short rod at minimum enclosure depth.

Through-the-Door  
Type MC Motor Control



The MC motor control handle mechanism is a linear-operating, fixed-depth mechanism designed for through-the-door mounting in standardized and shallow depth enclosures. The handle mechanism provides positive operation and direct disconnect status indication. It is interlocked with the enclosure door so that the door can be opened only when the handle is set to OFF. (A defeater, supplied with the handle mechanism, can be used to bypass the interlock for maintenance and inspection.) The handle mechanism will accept up to three padlock shackles, each with a maximum diameter of 3/8 inch (7.92 mm).UL File E56845.

Ordering Information

Description	Catalog Number
<b>F-Frame</b>	
For use with Type 1 Enclosure Catalog	<b>SMCU150FD</b>
For use with Type 12 Enclosure Catalog	<b>CMCU150FD</b>

Instruction Leaflet/FRED Number 14572

**J-Frame**

For use with Type 1 Enclosure Catalog	<b>SMCU250JD</b>
For use with Type 12 Enclosure Catalog	<b>CMCU250JD</b>

Instruction Leaflet/FRED Number 29C273

**K-Frame**

For use with Type 1 Enclosure Catalog	<b>SMCU400KD</b>
For use with Type 12 Enclosure Catalog	<b>CMCU400KD</b>

Instruction Leaflet/FRED Number 29C273

**M-Frames**

For use with Type 1 Enclosure Catalog	<b>SMCU600LD</b>
For use with Type 12 Enclosure Catalog	<b>CMCU600LD</b>

Instruction Leaflet/FRED Number 29C283



## Handle Mechanisms

### Through-the-Door Rotary



These compact rotary handle mechanisms are especially designed for use with the GD/GC/GHC circuit protection devices. The Close-Coupled version is designed for mounting in a shallow enclosure, while the Vari-Depth is suitable for deep enclosures.

Both G-frame handle mechanisms are suitable for use on Type 1 enclosures. In addition, the Vari-Depth handle mechanism is offered for use with Types 3R, 12, and 4X enclosures.

The new handles are a compact, plastic, general purpose design which is easy to install. These mechanisms are commonly used where high volume, standardized enclosures are being fabricated.

The Close-Coupled design is available with or without a shroud. The handle is offered in two colors; black or yellow. An escutcheon ring and interlock clip are provided as standard. This standard design includes a lock-off feature.

The Vari-Depth design includes an operating mechanism, shaft, and external handle. The handle is available in two colors; black or yellow. An external lock-off is included in the handle design. The shaft may be cut to size to fit the enclosure.

UL and CSA listed.

### Ordering Information

Breaker Frame	Enclosure Type	Handle Color	Shaft Length	Shroud Included	Catalog Number
---------------	----------------	--------------	--------------	-----------------	----------------

#### G-Frame Vari-Depth Design

(Catalog Number includes complete assembly consisting of handle, shaft, and operating mechanism.)

GD/GC/GHC	Type 1	Black	14 inches	-	<b>HRGCV11L</b> <b>HRGCV31L</b> <b>HRGCV14L</b> <b>HRGCV34L</b>
GD/GC/GHC	Type 1	Yellow			
GD/GC/GHC	Type 3R/12/4X	Black			
GD/GC/GHC	Type 3R/12/4X	Yellow			

#### G-Frame Close-Coupled Design

(Catalog Number includes complete assembly consisting of operating handle and door interlock.)

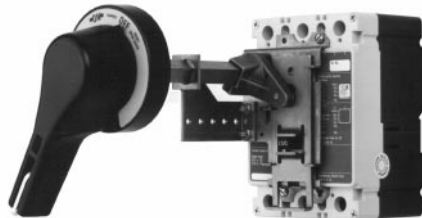
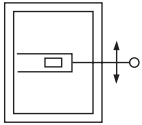
GD/GC/GHC	Type 1	Black	-	No	<b>HRGCC10</b> <b>HRGCC1S</b> <b>HRGCC30</b> <b>HRGCC3S</b>
GD/GC/GHC	Type 1	Black		Yes	
GD/GC/GHC	Type 1	Yellow		No	
GD/GC/GHC	Type 1	Yellow		Yes	

Instruction Leaflet/FRED Number 15567 (Close Coupled);

Instruction Leaflet/FRED Number 15569 (Variable Depth)

Handle Mechanisms

Through-the-Door Rotary



The general purpose rotary handle mechanisms are suitable for use with Types 1, 3R, (4, 4X), and 12 fabricated enclosures. They are designed for use with Series C F-frame circuit breakers, molded case switches, and motor circuit protectors (HMCP).

Required for a standard application are the operating handle, shaft, and mechanism.

The operating handle has been designed to meet NFPA 79 requirements. It may be mounted in either the horizontal or the vertical direction. The handle was ergonomically designed with extra clearance for a "gloved hand" to operate. It may be padlocked in the OFF position utilizing 3 padlocks.

The standard label on the operating handle indicates ON/Tripped/OFF/Reset. UL File E64893

To meet the various enclosure depths, four variable depth shafts are offered (6-inch, 12-inch, 16-inch, and 24-inch). Each shaft includes a support brace to ensure proper alignment. In addition, the 16-inch and 24-inch extra long shafts include an adjustable support bracket.

The standard mechanism located on the breaker does include means for internally locking the breaker in the "OFF" position with up to three padlocks each with a maximum diameter of .312-inch.

Ordering Information

Shaft Length (Inches)	Complete Catalog Number <sup>①</sup>	Separate Style Number			Catalog Number	
		Standard Handle <sup>③</sup>	Breaker Mechanism <sup>④</sup>	Shaft <sup>⑤</sup>	IEC IP65 <sup>⑤⑥</sup>	IEC IP66 <sup>⑤⑥</sup>

F-Frame

6	HM1R06	6648C22G01	6648C23G11	4217B37G04	WHM1R06	WHM1R06X
12	HM1R12	6648C22G01	6648C23G11	4217B37G01	WHM1R12	WHM1R12X
16	HM1R16	6648C22G01	6648C23G11	4217B37G02	WHM1R16	WHM1R16X
24	HM1R24	6648C22G01	6648C23G11	4217B37G03	WHM1R24	WHM1R24X

Instruction Leaflet/FRED Number 15594

J-Frame

6	HM2R06	6648C22G01	6648C23G02	4217B37G04	WHM2R06	WHM2R06X
12	HM2R12	6648C22G01	6648C23G02	4217B37G01	WHM2R12	WHM2R12X
16	HM2R16	6648C22G01	6648C23G02	4217B37G02	WHM2R16	WHM2R16X
24	HM2R24	6648C22G01	6648C23G02	4217B37G03	WHM2R24	WHM2R24X

Instruction Leaflet/FRED Number 15599

K-Frame

6	HM3R06	6648C22G01	6648C23G13	4217B37G04	WHM3R06	WHM3R06X
12	HM3R12	6648C22G01	6648C23G13	4217B37G01	WHM3R12	WHM3R12X
16	HM3R16	6648C22G01	6648C23G13	4217B37G02	WHM3R16	WHM3R16X
24	HM3R24	6648C22G01	6648C23G13	4217B37G03	WHM3R24	WHM3R24X

Instruction Leaflet/FRED Number 15600

L- and M-Frames

6	HM4R06	6648C22G11	6648C23G07	4217B37G04	WHM4R06	WHM4R06X
12	HM4R12	6648C22G11	6648C23G07	4217B37G01	WHM4R12	WHM4R12X
16	HM4R16	6648C22G11	6648C23G07	4217B37G02	WHM4R16	WHM4R16X
24	HM4R24	6648C22G11	6648C23G07	4217B37G03	WHM4R24	WHM4R24X

Instruction Leaflet/FRED Number 15601

N-Frame

6	HM5R06	6648C22G11	6648C23G07	4217B37G04	WHM5R06	WHM5R06X
12	HM5R12	6648C22G11	6648C23G07	4217B37G01	WHM5R12	WHM5R12X
16	HM5R16	6648C22G11	6648C23G07	4217B37G02	WHM5R16	WHM5R16X
24	HM5R24	6648C22G11	6648C23G07	4217B37G03	WHM5R24	WHM5R24X

Instruction Leaflet/FRED Number 15602

Type 4/4X handles are similar to standard handles except they include an internal neoprene gasket. Type 4/4X handle style number is 6648C22G03. Due to gasketing effect between the handle and the housing, the handle may not indicate a tripped position.

Accessories

As an option, an auxiliary switch is offered so that the control panel builder may electrically indicate the status of the breaker. This accessory would be mounted on the mechanism and comes with 24-inch pigtail leads.

Style Number	5108A61G01
--------------	------------

Refer to CD-ROM, SA.74A.01.T.E, for replacement type Vari-depth and AMT handle mechanisms.

- ① Complete catalog number includes the standard handle, mechanism, shaft, and support brace/bracket.
- ② Handle is designed suitable for Types 1, 3R, and 12 enclosures. Use style number 6648C22G03 for Type 4/4X handle or add X suffix to complete catalog number.
- ③ The standard handle label indicates ON/Tripped/OFF/Reset.
- ④ Breaker mechanism includes a shaft support bracket and its parts.
- ⑤ Longer shafts (16-inch and 24-inch) include an adjustable support extension.
- ⑥ IEC Handle Mechanism supplied with Metric thread mounting hardware.
- ⑦ Complete Catalog Number includes a handle, mechanism and shaft.

Handle Mechanisms


Door Hardware

F-, J-, K-, L- and M-Frames

Door Hardware listed in this section may be used with Types SM and AMT handle mechanisms.

Three choices of door hardware and an auxiliary handle are offered to provide the best latching scheme for individual needs. The door hardware is designed with a provision for padlocking, and a coin-proof slot that requires the use of a tool to open the door.

Select desired hardware below. Additional latches can be ordered from accessories section if desired.

Hardware Item	Description and Catalog Number
	With sliding latches for smaller panels up to approx. 30-inch high.  Catalog Number Right Hand: <b>DH1R</b> Left Hand: <b>DH1L</b>  Instruction Leaflet/FRED Number 13327(L); 13326(R)
	With 2-roller latches for intermediate panels up to approx. 40-inch high.  Catalog Number Right Hand: <b>DH2R</b> Left Hand: <b>DH2L</b>  Instruction Leaflet/FRED Number 13325(L); 13324(R)
	With 3-roller latches for larger panels, approx. 40-inch and higher.  Catalog Number Right Hand: <b>DH3R</b> Left Hand: <b>DH3L</b>  Instruction Leaflet/FRED Number 13323(L); 13322(R)
	Auxiliary handle for larger panels.  Catalog Number Right Hand: <b>DH4R</b> Left Hand: <b>DH4L</b>

**Note:** Right-hand enclosure cover hinged on left, left-hand enclosure cover hinged on right.

Accessories

**Dress Nameplates:** Required to meet automotive specifications. Mounts from inside enclosure and covers operating mechanism mounting bolts; makes mechanism non-removable when enclosure door is closed.



Description	Style Number
Dress Nameplate	<b>373D260G05</b>

**Electrical Interlock Kit:** Provides 1 N.C. and 1 N.O. contacts (SPDT switch) for use with auxiliary circuits. Mounts to end of mechanism housing as shown.



Description	Style Number
Electrical Interlock Kit	<b>622B747G01</b>

**Auxiliary Latch Kits:** Provide an additional latch for use with applications where two point latching may not be adequate.



Sliding Latch



Rolling Latch

Description	Style Number
<b>For Door Hardware Using Sliding Latches</b>	
Right- or Left-Hand Mounting	<b>622B747G01</b>
<b>For Door Hardware Using Rolling Latches</b>	
Right-Hand Mounting	<b>370D801G04</b>
Left-Hand Mounting	<b>370D802G04</b>

Door Operated Interlock Defeater Kit for Type SM Mechanisms

Required when door hardware is not used, operates as door closes. Additional method of securing door such as screw latch, also required (supplied by box manufacturer).

Description	Style Number
Door Operated Interlock Defeater Kit	<b>623B214G02</b>

Remote Mounting Kit (J-Frame)

Enables the operating mechanism to be mounted remotely on a vertical centerline from the circuit breaker or disconnect switch.

Description	Style Number
Remote Mounting Kit	<b>505C367G01</b>

Handle Extension



Handle extension is not included with J-, K-, L-, and M-Frame breakers. It must be purchased separately.

Frame	Catalog Number
J, K	<b>HEX3</b>
L, M	<b>HEX4</b>

Handle extension is included with breaker with N- and R-Frame breakers.

Frame	Catalog Number
N	<b>HEX5</b>
R	<b>HEX6</b>

**Type LFD**



The LFD current limiter is an accessory that bolts to the load end of a standard FDB or FD thermal-magnetic circuit breaker, providing 200,000A interrupting capacity at up to 600 Vac. LFD current limiters for thermal-magnetic circuit breakers are listed with Underwriters Laboratories, Inc., under File E47239.

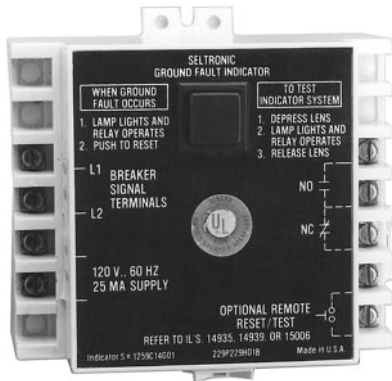
**Ordering Information**

Circuit Breaker Rating Amperes①	Catalog Number
15-70	LFD3070R
80-160	LFD3150R

Instruction Leaflet/FRED Number 29C407

① Underwriters Laboratories Inc. listed under UL File E64983.

## Ground Fault Alarm Unit



The Ground Fault Alarm Unit is a remotely mounted device with a combination indicating light/test button that will light when the breaker trips or alarms on ground fault. The Ground Fault Alarm Unit requires a separate 120 Vac power source to power the light and the internal relay which has 1 N.O. and 1 N.C. contacts for remote indication. The Ground Fault Alarm Unit can be panel mounted for ordering with an optional face mounting bracket. For use on Digitrip 310 only. K- through N-frame.

### Ordering Information

Catalog Number
<b>GFAU</b> – Ground Fault Alarm Unit
Style Number
<b>1264C67G01</b> – Face Mounting Bracket

Instruction Leaflet/FRED Number 29C614 Diagram

## IQ Energy Sentinel



The IQ Energy Sentinel is a highly accurate, microprocessor-based, breaker-mounted device designed to

monitor power and energy readings. It represents an alternative to watt meters, watt-hour meters, and watt demand meters. Key advantages include savings in space, lower installation costs, and remote monitoring capability.

The IQ Energy Sentinel mounts on the load side of a Series C F-frame (150 ampere) circuit breaker. It can be applied on three-phase, four-wire systems, or single-phase, three-wire systems with voltage connected through phases A and C.

Instruction Leaflet/FRED Number 17437

For more information see Descriptive Bulletin 8178.

## Potential Transformer Module



The Potential Transformer Module is required for Series C, Digitrip OPTIM 1050, to provide a voltage input to allow the trip unit to monitor power and energy as well as power factor. The Potential Transformer Module is a 6 VA transformer with a primary voltage input of up to 600V line to line. Three 0.1 ampere fuses are provided on the primary of the transformer and can be used for isolation purposes during dielectric testing. The device is normally panel mounted and can feed up to 16 OPTIM trip units.

### Ordering Information

Description	Catalog Number
Potential Transformer Module	<b>DOPTMLN</b>

Instruction Leaflet/FRED Number 29C894 Diagram

## Solid-State (Electronic) Portable Test Kit

The solid-state (electronic) portable test kit provides verification of performance of all ratings of Digitrip 310 electronic trip units installed in Series C circuit breakers while in service under varying load and/or phase imbalance. The test kit operates on 120-volt, 50/60 Hz power; it includes complete instructions and test times for testing long time, short time/instantaneous operation and optional ground fault operation of the circuit breaker.

### Ordering Information

Description	Catalog Number
Solid-State (Electronic) Portable Test Kit	<b>STK2</b>

① Model 550 OPTIMs require the Cutler-Hammer PowerNet field upgrade kit.



OPTIM System Components

**Breaker Interface Module (BIM)**



The Breaker Interface Module (BIM) is a panel mounted user interface device that is mounted on the front of an electrical assembly or at a remote location. The BIM is used to access, configure, test and display information for OPTIM trip units and other devices. The BIM consists of four display windows, eight function buttons, 18 LEDs, and a graphical time/current curve to provide breaker status, operational information, protection status and energy monitoring. A 24 Vdc power supply is required to provide power to the BIM. This is supplied by the switchboard builder to Cutler-Hammer specifications. The BIM is a member of the Cutler-Hammer PowerNet family of communicating devices that connects OPTIM trip units, Digitrip RMS 810/910 trip units and energy sentinels as a subnetwork system. The BIM can also be connected to a main network via a PONI module to Cutler-Hammer PowerNet software.

**Ordering Information**

Catalog Number
<b>BIM</b>

Instruction Leaflet/FRED Number 29C893

① The OPTIMizer can work off of 32 Vdc control power, although 24 Vdc is the standard on OPTIM breakers.

② Model 550 OPTIMs require the Cutler-Hammer PowerNet field upgrade kit.

**Digitrip OPTIMizer**



The Digitrip OPTIMizer is a handheld programmer that is used to access, configure, test and display information from OPTIM trip units. The OPTIMizer plugs into the front of an OPTIM trip unit via an eight-pin telephone jack and is powered by a nine-volt battery or the auxiliary power module. In addition, a three-pin INCOM network connection is also provided to program other OPTIM devices on the system. An Auxiliary Power Module connection provides a trip test when control power is not present at the breaker. The OPTIMizer is supplied as a standard package to include the programmer, the eight-pin connection cord, battery and carrying case. The Auxiliary Power Module is optional.

**Ordering Information**

Catalog Number
<b>OPTIMizer – Standard Package</b>

Instruction Leaflet/FRED Number 29C892

**Note: 24 Vdc Power Supply**

A 24 Vdc power supply is required for all Digitrip OPTIM trip units that are required to communicate either on the main Cutler-Hammer PowerNet network or as a subnetwork to a BIM. The breaker's load is 45 mA of current. Typically one power supply is required per switchboard and can provide control power to a BIM and the OPTIM trip units. The 24 Vdc power supply should be an "isolated high quality" power supply with a "CE" label, and is normally provided by the switchboard manufacturer to Cutler-Hammer recommendations.

**Auxiliary Power Module**



The Auxiliary Power Module is a power supply requiring 120 Vac input at 50 or 60 Hz that provides a 32 Vdc output<sup>①</sup>. The Auxiliary Power Module provides control power for testing an OPTIM trip unit when other means of control power is not available or for continuous OPTIMizer operation versus temporary with a battery. The Auxiliary Power Module connects into the top of the Digitrip OPTIMizer via a keyed receptacle. The main application for the Auxiliary Power Module would be for the testing of a stand-alone non-communicating OPTIM breaker that ordinarily would not have control power.

**Ordering Information**

Catalog Number
<b>PRTAAPM</b>

**Cutler-Hammer PowerNet Software**



Series C Digitrip OPTIM trip units can communicate back to a central Personal Computer by installing Cutler-Hammer PowerNet software<sup>②</sup>. In addition other software packages are available to allow the user to configure the trip units as well as monitor system performance.

Instruction Leaflet/FRED Number 29C890

## Special Calibration<sup>①</sup>

Special non-UL-listed calibrations are available for certain ambient temperatures other than 40°C and for frequencies other than 50/60 Hz or Dc. Reduced interrupting ratings will apply for 400 Hz applications. Maximum thermal calibration is limited to 135A at 400 Hz.

Suffix H01 400 Hz.

See Application Data 29-160 for information regarding special conditions.

## 50°C Calibration<sup>①</sup>

Add suffix "V" to catalog number for complete breaker, listed above, when ordering listed ampere ratings for breakers to be used in 50°C ambients.

## Moisture-Fungus Treatment

All Series C circuit breaker cases are molded from glass-polyester which does not support the growth of fungus. Any parts which are susceptible to the growth of fungus will require special treatment.

Suffix J01 Fungus Treated

## Freeze-Tested Circuit Breakers

The circuit breakers may be ordered with freeze testing. This option uses special lubrication and mechanical operation is verified at -40°C.

Suffix F01 Freeze Tested.

## Marine Applications

F-Frame circuit breakers can be supplied to meet the following marine specifications:

U.S. Coast Guard CFR 46 ABS –  
American Bureau of Shipping  
IEEE 45

These specifications generally require molded case circuit breakers to be supplied with 50°C ambient calibration, special nameplating, and plug-in adapter kits. When plug-in adapter kits are used, no terminals need be supplied.

Series C circuit breakers can also be supplied to meet UL489 Supplement SA (Marine Use) and UL489 Supplement SB (Naval Use).

UL489 Supplement SA applies to vessels over 65 feet in length. Requirements include 40°C ambient calibration, special labeling, and no use of aluminum conductors or terminals.

Suffix H08 "Marine."

UL489 Supplement SB requires 50°C ambient calibration, vibration testings, special nameplating and no use of aluminum conductors or terminals.

Suffix H09 "Naval."

<sup>①</sup> Not listed with Underwriters Laboratories, Inc.

<sup>②</sup> For use with standard 35 mm DIN rail such as, 35 x 7.5 or 15 mm per DIN EN50022.

**NEMA 1 General Purpose**



**Surface or Flush Mounting  
15-1200 Ampere Range  
600 Volts Ac, 500 Volts Dc**

NEMA 1 enclosed breakers are designed for indoor use in commercial buildings, apartment buildings and other areas where a general purpose enclosure is applicable. The breaker is front operable and is capable of being padlocked in the Off position. (Padlocking not available on enclosures for Quicklag® breakers.) Ratings through 1200 amperes are listed with Underwriters Laboratories, Inc. as suitable for service entrance application. Both surface and flush mounted enclosures are available. UL File Number E7819. CSA File Number LR84319.

**NEMA 3R Rainproof Surface Mounting**



**Interchangeable Hubs (through 400 amperes) 15-1200 Ampere Range  
600 Volts Ac, 500 Volts Dc**

This general purpose outdoor service center employs a circuit breaker inside a weatherproof sheet steel enclosure to serve as a main disconnect and protective device for feeder circuits. The operating handle can be padlocked in the Off position, and is interlocked to prevent the door from opening when the breaker is On. Ratings through 1200 amperes are listed by Underwriters Laboratories, Inc. as suitable for service entrance application. UL File Number E7819. CSA File Number LR84319.

**NEMA 4/4X, 5 Water and Dustproof**



**Stainless Steel – Type 304  
Surface Mounting  
15-1200 Ampere Range  
600 Volts Ac, 500 Volts Dc**

This enclosure meets NEMA 4/4X and 5 requirements for water and dustproof applications and has no knockouts or other openings. It is particularly well suited for use in dairies, borax mines, breweries, paper mills and other process industries. The operating handle can be padlocked in the Off position, and is interlocked to prevent the door from opening when the breaker is On. Ratings through 1200 amperes are Underwriters Laboratories, Inc. listed as suitable for service entrance application. UL File Number E7819. CSA File Number LR84319.

**NEMA 12 Dustproof Surface Mounting**



**No Knockouts or Other Openings  
15-1200 Ampere Range  
600 Volts Ac, 500 Volts Dc**

The Type 12 enclosure is designed in line with specifications for special industry application where unusually

severe conditions involving oil, coolant, dust and other foreign materials exist in the operating atmosphere. The handle padlocks in the Off position and the cover is interlocked with the handle mechanism to prevent opening the cover with the circuit breaker in the On position. Ratings through 1200 amperes are listed by Underwriters Laboratories, Inc. as suitable for service entrance application. A NEMA 12 semi-dust-tight design which includes knockouts is available. These units are rated 15-400 amperes, 600 volts Ac, 500 volts Dc. UL File Number E7819. CSA File Number LR84319.

**NEMA 7, 9 Hazardous Location**

**Cast Aluminum, Explosionproof  
Surface Mounting  
15-800 Ampere Range  
600 Volts Ac, 250 Volts Dc**

Hazardous location, Class I, Groups B (except XFDN050), C, D; Class II, Groups E, F, G. This special service cast aluminum enclosure is supplied with a wide, machined flanged cover to prevent igniting outside atmospheres by arcing from inside the enclosure. Front operable, the handle padlocks in the Off position. Enclosures rated 600 amperes and above have lift-off hinges for ease of assembly. UL and cUL File Number E71279.



Enclosure Only Catalog Numbers Selection Guide<sup>①</sup>

Breaker Frame	Breaker Ampere Range	Enclosure	
		NEMA Class	Catalog Number
<b>Series C® Breakers</b>			
GC, GHC, GD 2- and 3-Pole only GHCGFEP <sup>②</sup> 1-Pole Only	15-100	1 Surface 3R 12 12K 4/4X, 5 St. Steel	<b>SGDN100</b> <sup>②</sup> <b>RGDN100</b> <b>JGDN100</b> <b>DGDN100</b> <b>WGDN100</b>
EHD, FD, FDB, HFD, FDC	15-100	1 Surface 1 Flush 3R 12 12K 4/4X, 5 St. Steel	<b>SFDN100</b> <b>FFDN100</b> <b>RFDN100</b> <b>JFDN100</b> <b>DFDN100</b> <b>WFDN100</b>
EHD, FD, FDB HFD, FDC	15-50 60-225 <sup>④</sup>	7/9 Cast Aluminum 7/9 Cast Aluminum	<b>XFDN050</b> <b>XFDN225</b>
FD, FDB, HFD, FDC, ED, EDH, EDC	125-225	1 Surface 1 Flush 3R 12 12K 4/4X, 5 St. Steel	<b>SFDN225</b> <b>FFDN225</b> <b>RFDN225</b> <b>JFDN225</b> <b>DFDN225</b> <b>WFDN225</b>
JD, JDB, HJD, JDC	125-250	1 Surface 1 Flush 3R 12 12K 4/4X, 5 St. Steel	<b>SJDN250</b> <b>FJDN250</b> <b>RJDN250</b> <b>JJDN250</b> <b>DJDN250</b> <b>WJDN250</b>
JD, JDB, HJD, JDC	125-250	7/9 Cast Aluminum	<b>XJDN250</b>
KD, KDB, HKD, KDC, DK	125-400	1 Surface 1 Flush 3R 12 12K 4/4X, 5 St. Steel	<b>SKDN400</b> <b>FKDN400</b> <b>RKDN400</b> <b>JKDN400</b> <b>DKDN400</b> <b>WKDN400</b>
KD, KDB, HKD, KDC, DK	125-400	7/9 Cast Aluminum	<b>XKDN400</b>
LD, LDB, HLD, LDC	300-600	1 Surface 3R 12 4/4X, 5 St. Steel	<b>SLDN600</b> <b>RLDN600</b> <b>JLDN600</b> <b>WLDN600</b>
LD, LDB, HLD, LDC MD, MDS	300-600 400-800	7/9 Cast Aluminum	<b>XMCN800</b>
MD, MDS, ND, NDC, HND	400-1200	1 Surface 3R 12 4/4X, 5 St. Steel	<b>SNDN1200</b> <b>RNDN1200</b> <b>JNDN1200</b> <b>WNDN1200</b>
ND, HND, NDC		7/9 Cast Aluminum	<b>XNDN1200</b>

Earth Leakage Breakers<sup>⑤</sup>

ELFD, ELHFD and ELFDC (3-Pole Only)	15-100	1 Surface 1 Flush 3R 12 12K 4/4X	<b>SFD100E</b> <b>FFD100E</b> <b>RFDN100E</b> <b>JFDN100E</b> <b>DFDN100E</b> <b>WFDN100E</b>
--	--------	---	--

## Current Limit-R Breakers

FCL	15-100	3R 12 12K 4/4X, 5 St. Steel	<b>RFDN150</b> <b>JFDN150</b> <b>DFDN150</b> <b>WFDN150</b>
LCL <sup>⑥</sup>	125-400	1 Surface 3R 12 4/4X, 5 St. Steel	<b>SNDN1200</b> <b>RNDN1200</b> <b>JNDN1200</b> <b>WNDN1200</b>

## TRI-PAC® Breakers

FB-P	15-100	3R 12 12K 4/4X, 5 St. Steel	<b>RFDN150</b> <b>JFDN150</b> <b>DFDN150</b> <b>WFDN150</b>
LA-P <sup>⑦</sup>	70-400	1 Surface 3R 12 4/4X	<b>SNDN1200</b> <b>RNDN1200</b> <b>JNDN1200</b> <b>WNDN1200</b>
NB-P	500-800	12 4/4X, 5 St. Steel	<b>JNDPN800</b> <b>WNDPN800</b>

Neutral Kits, Insulated and Groundable<sup>⑧</sup>

Maximum Enclosure Rating (Amperes)	Main Lug Size Cu/Al	Ground Lug Size Cu/Al	Catalog Number
100	(1) 14-1/0	(1) 14-1/0	<b>INK100</b>
250	(1) 6-350 kcmil	(1) 4-300 kcmil	<b>INK250</b>
400	(1) 4-750 kcmil or (2) 1/0-250 kcmil	(1) 4-300 kcmil	<b>INK400</b>
600	(2) 250-500 kcmil	(1) 4-300 kcmil	<b>INK600</b>
1200	(3) 1/0 to 750 kcmil or (4) 1/0 to 750 kcmil	(1) #6-250 kcmil	<b>INK1200</b>

## Raintight Hubs

Hub Diameter in Inches	Catalog Number	
	<b>Small Hubs</b>	
For use with RGDN and RFDN	3/4	<b>DS075H1</b>
	1	<b>DS100H1</b>
	1-1/4	<b>DS125H1</b>
	1-1/2	<b>DS150H1</b>
2	<b>DS200H1</b>	
<b>Large Hubs</b>		
For use with RJDN. (RKDN has two cutouts)	2	<b>R1H200</b>
	2-1/2	<b>R1H250</b>
	3	<b>R1H300</b>
Required if using Type DS hubs on RJDN and RKDN enclosures.		<b>R1HA</b>



All rainproof enclosures 30A through 400A are shipped with plate over cutout. Hubs are not supplied with screws on 30A through 400A enclosures. Use screws from plate.

Breather and Drain, Hazardous Enclosures<sup>⑤</sup>

Description	Compliance	Conduit Opening	Catalog Number
A Universal Breather/ Drain Fitting is installed in the top of an enclosure to provide ventilation to minimize condensation and in the bottom to allow drainage of accumulated condensation while maintaining explosion proof integrity.	Type BD: NEMA 7 – Class I, Groups C, D; Class I, Zone 1, Group IIB NEMA 9 – Class II, Groups F, G	1/2	<b>XPBD2</b>
	Type DBB: NEMA 7 – Class I, Groups B, C, D; Class I, Zone 1, Group IIB + Hydrogen NEMA 9 – Class II, Groups E, F, G	1/2	<b>XPDBB50</b>

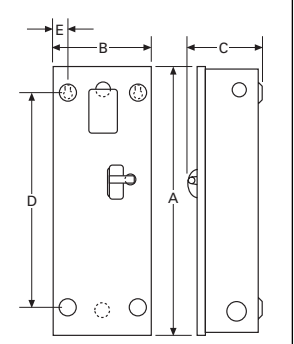
- ① Enclosures only shown above; if an assembled enclosed circuit breaker is required refer to Cutler-Hammer Satellite.
- ② Suitable for use with one-pole breaker base mounting plate kit. OCCBP required.
- ③ Enclosure must have date stamp later than 4-15-98.
- ④ Maximum wire size: 4/0.
- ⑤ Availability to be announced.
- ⑥ LCL requires additional adapter plate 1223C06G01.
- ⑦ LA-P requires additional adapter plate S/N 1223C06G02.
- ⑧ If ground fault protection is required, contact regional satellite.

**Dimensions and Shipping Weights**

*Not to be used for construction purposes unless approved.*  
Inches and Millimeters.

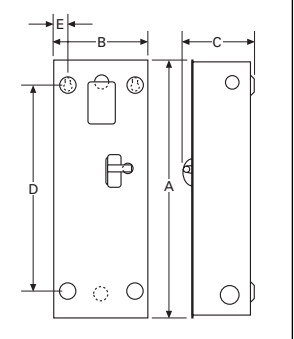
**NEMA 1 Surface Mounted**

Catalog Number	App. Wt. Lbs.	Max. Amperes	Dimensions										Conduit Sizes, Inches
			A		B		C		D		E		
			Inches	mm	Inches	mm	Inches	mm	Inches	mm	Inches	mm	
SGDN100	12	100	17½	444	8 <sup>3</sup> / <sub>32</sub>	214	6 <sup>5</sup> / <sub>32</sub>	160	13 <sup>1</sup> / <sub>32</sub>	331	1 <sup>1</sup> / <sub>64</sub>	31	¼, ½, ¾, 1, 1¼, 1½, 2, 2½
SFDN100	12	100	17½	444	8 <sup>3</sup> / <sub>32</sub>	214	6 <sup>5</sup> / <sub>32</sub>	160	13 <sup>1</sup> / <sub>32</sub>	331	1 <sup>1</sup> / <sub>64</sub>	31	¼, ½, ¾, 1, 1¼, 1½, 2, 2½
SFDN150	15	150	23¼	591	8 <sup>3</sup> / <sub>32</sub>	214	6 <sup>5</sup> / <sub>32</sub>	160	18¾	476	1 <sup>1</sup> / <sub>64</sub>	31	¼, ½, ¾, 1, 1¼, 1½, 2, 2½
SFDN225	15	225	23¼	591	8 <sup>3</sup> / <sub>32</sub>	214	6 <sup>5</sup> / <sub>32</sub>	160	18¾	476	1 <sup>1</sup> / <sub>64</sub>	31	¼, ½, ¾, 1, 1¼, 1½, 2, 2½
SJDN250	31	250	34 <sup>9</sup> / <sub>64</sub>	881	10 <sup>9</sup> / <sub>64</sub>	227	7 <sup>1</sup> / <sub>64</sub>	183	30	762	1 <sup>1</sup> / <sub>6</sub>	48	¼, ½, 2, 2½, 3
SKDN400	53	400	38 <sup>1</sup> / <sub>16</sub>	986	11 <sup>1</sup> / <sub>16</sub>	281	10 <sup>1</sup> / <sub>16</sub>	278	34	869	2 <sup>5</sup> / <sub>32</sub>	58	¼, ½, ¾, 1, 1½, 2, 2½, 3, 3½
SLDN600	81	600	45 <sup>1</sup> / <sub>6</sub>	1165	14 <sup>1</sup> / <sub>16</sub>	364	12 <sup>1</sup> / <sub>6</sub>	314	46 <sup>1</sup> / <sub>16</sub>	1183	1 <sup>2</sup> / <sub>32</sub>	48	¼, ½, ¾, 3, 3½, 4
SNDN1200	178	1200	61 <sup>1</sup> / <sub>32</sub>	1555	21 <sup>1</sup> / <sub>16</sub>	545	15 <sup>1</sup> / <sub>32</sub>	391	61 <sup>1</sup> / <sub>32</sub>	1571	1 <sup>3</sup> / <sub>32</sub>	50	



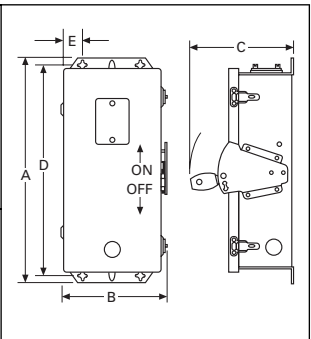
**NEMA 1 Flush Mounted**

FFDN100	12	100	18 <sup>1</sup> / <sub>16</sub>	478	9 <sup>3</sup> / <sub>32</sub>	247	6 <sup>5</sup> / <sub>32</sub>	160	13 <sup>1</sup> / <sub>32</sub>	331	1 <sup>5</sup> / <sub>64</sub>	47	¼, ½, ¾, 1, 1¼, 1½, 2, 2½
FFDN150	15	150	24 <sup>1</sup> / <sub>16</sub>	624	9 <sup>3</sup> / <sub>32</sub>	247	6 <sup>5</sup> / <sub>32</sub>	160	18¾	476	1 <sup>5</sup> / <sub>64</sub>	47	¼, ½, ¾, 1, 1¼, 1½, 2, 2½
FFDN225	15	225	24 <sup>1</sup> / <sub>16</sub>	624	9 <sup>3</sup> / <sub>32</sub>	247	6 <sup>5</sup> / <sub>32</sub>	160	18¾	476	1 <sup>5</sup> / <sub>64</sub>	47	¼, ½, ¾, 1, 1¼, 1½, 2, 2½
FJDN250	32	250	36 <sup>1</sup> / <sub>64</sub>	915	12 <sup>1</sup> / <sub>64</sub>	311	7 <sup>1</sup> / <sub>64</sub>	183	30	762	1 <sup>1</sup> / <sub>6</sub>	48	¼, ½, 2, 2½, 3
FKDN400	53	400	40 <sup>1</sup> / <sub>6</sub>	1019	12 <sup>1</sup> / <sub>6</sub>	314	10 <sup>1</sup> / <sub>16</sub>	278	34	869	2 <sup>1</sup> / <sub>16</sub>	75	¼, ½, ¾, 1, 1½, 2, 2½, 3, 3½



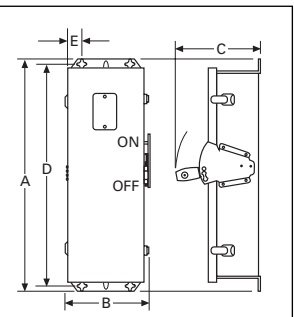
**NEMA 12, 12K Dustproof**

JGDN100	14	100	19 <sup>2</sup> / <sub>32</sub>	506	8 <sup>7</sup> / <sub>32</sub>	225	9 <sup>5</sup> / <sub>16</sub>	237	18 <sup>1</sup> / <sub>32</sub>	471	1 <sup>4</sup> / <sub>64</sub>	43	
JFDN100	14	100	19 <sup>2</sup> / <sub>32</sub>	506	8 <sup>7</sup> / <sub>32</sub>	225	9 <sup>5</sup> / <sub>16</sub>	237	18 <sup>1</sup> / <sub>32</sub>	471	1 <sup>4</sup> / <sub>64</sub>	43	
JFDN150	18	150	25 <sup>1</sup> / <sub>32</sub>	652	8 <sup>7</sup> / <sub>32</sub>	225	9 <sup>5</sup> / <sub>16</sub>	237	24 <sup>1</sup> / <sub>32</sub>	617	1 <sup>4</sup> / <sub>64</sub>	43	
JFDN225	18	225	25 <sup>1</sup> / <sub>32</sub>	652	8 <sup>7</sup> / <sub>32</sub>	225	9 <sup>5</sup> / <sub>16</sub>	237	24 <sup>1</sup> / <sub>32</sub>	617	1 <sup>4</sup> / <sub>64</sub>	43	
JJDN250	37	250	37 <sup>1</sup> / <sub>32</sub>	953	11 <sup>1</sup> / <sub>16</sub>	294	10 <sup>7</sup> / <sub>32</sub>	260	35 <sup>9</sup> / <sub>64</sub>	909	1 <sup>5</sup> / <sub>16</sub>	49	
JKDN400	58	400	41 <sup>1</sup> / <sub>16</sub>	1059	11¾	298	14 <sup>1</sup> / <sub>16</sub>	357	39 <sup>5</sup> / <sub>16</sub>	1014	1 <sup>3</sup> / <sub>32</sub>	150	
JLDN600	81	600	48 <sup>1</sup> / <sub>16</sub>	1227	14 <sup>2</sup> / <sub>32</sub>	379	15½	394	46 <sup>1</sup> / <sub>16</sub>	1183	1 <sup>5</sup> / <sub>64</sub>	49	
JNDPN800	110	800	63 <sup>1</sup> / <sub>32</sub>	1545	22	559	17¾	448	—	—	—	—	
JNDN1200	170	1200	63 <sup>1</sup> / <sub>32</sub>	1545	22	559	17¾	448	61 <sup>1</sup> / <sub>32</sub>	1571	1 <sup>3</sup> / <sub>32</sub>	50	
DGDN100	16	100	19 <sup>2</sup> / <sub>32</sub>	506	8 <sup>7</sup> / <sub>32</sub>	225	9 <sup>5</sup> / <sub>16</sub>	237	—	—	—	—	¼, ½, ¾, 1, 1¼, 1½, 2, 2½
DFDN100	16	100	19 <sup>2</sup> / <sub>32</sub>	506	8 <sup>7</sup> / <sub>32</sub>	225	9 <sup>5</sup> / <sub>16</sub>	237	—	—	—	—	¼, ½, ¾, 1, 1¼, 1½, 2, 2½
DFDN150	19	150	25 <sup>1</sup> / <sub>32</sub>	652	8 <sup>7</sup> / <sub>32</sub>	225	9 <sup>5</sup> / <sub>16</sub>	237	—	—	—	—	¼, ½, ¾, 1, 1¼, 1½, 2, 2½
DFDN225	19	225	25 <sup>1</sup> / <sub>32</sub>	652	8 <sup>7</sup> / <sub>32</sub>	225	9 <sup>5</sup> / <sub>16</sub>	237	—	—	—	—	¼, ½, ¾, 1, 1¼, 1½, 2, 2½
DJDN250	36	250	37 <sup>1</sup> / <sub>32</sub>	953	11 <sup>1</sup> / <sub>16</sub>	294	10 <sup>7</sup> / <sub>32</sub>	260	—	—	—	—	¼, ½, 2, 2½, 3
DKDN400	53	400	41 <sup>1</sup> / <sub>16</sub>	1059	11¾	298	14 <sup>1</sup> / <sub>16</sub>	357	—	—	—	—	¼, ½, ¾, 1, 1½, 2, 2½, 3, 3½



**NEMA 3R Rainproof**

RGDN100	14	100	19 <sup>2</sup> / <sub>32</sub>	458	8 <sup>7</sup> / <sub>32</sub>	225	9 <sup>5</sup> / <sub>16</sub>	237	18 <sup>1</sup> / <sub>32</sub>	471	1 <sup>4</sup> / <sub>64</sub>	43	¼, ½, ¾, 1, 1¼, 2, 2½
RFDN100	14	100	19 <sup>2</sup> / <sub>32</sub>	458	8 <sup>7</sup> / <sub>32</sub>	225	9 <sup>5</sup> / <sub>16</sub>	237	18 <sup>1</sup> / <sub>32</sub>	471	1 <sup>4</sup> / <sub>64</sub>	43	¼, ½, ¾, 1, 1¼, 2, 2½
RFDN150	19	150	25 <sup>1</sup> / <sub>32</sub>	603	8 <sup>7</sup> / <sub>32</sub>	225	9 <sup>5</sup> / <sub>16</sub>	237	24 <sup>1</sup> / <sub>32</sub>	617	1 <sup>4</sup> / <sub>64</sub>	43	¼, ½, ¾, 1, 1¼, 2, 2½
RFDN225	19	225	25 <sup>1</sup> / <sub>32</sub>	603	8 <sup>7</sup> / <sub>32</sub>	225	9 <sup>5</sup> / <sub>16</sub>	237	24 <sup>1</sup> / <sub>32</sub>	617	1 <sup>4</sup> / <sub>64</sub>	43	¼, ½, ¾, 1, 1¼, 2, 2½
RJDN250	40	250	37½	891	11 <sup>1</sup> / <sub>16</sub>	294	10 <sup>7</sup> / <sub>32</sub>	260	35 <sup>9</sup> / <sub>64</sub>	909	1 <sup>5</sup> / <sub>16</sub>	49	¼, ½, 2, 2½, 3
RKDN400	60	400	41 <sup>1</sup> / <sub>16</sub>	997	11¾	298	14 <sup>1</sup> / <sub>16</sub>	357	39 <sup>5</sup> / <sub>16</sub>	1014	1 <sup>3</sup> / <sub>32</sub>	50	¼, ½, ¾, 2½, 3, 3½
RLDN600	84	600	48 <sup>1</sup> / <sub>16</sub>	1227	14 <sup>2</sup> / <sub>32</sub>	379	15½	394	46 <sup>1</sup> / <sub>16</sub>	1183	1 <sup>5</sup> / <sub>64</sub>	49	¼, ½, ¾, 3, 3½, 4
RNDN1200	175	1200	63 <sup>1</sup> / <sub>32</sub>	1615	22	559	17¾	448	61 <sup>1</sup> / <sub>32</sub>	1571	1 <sup>3</sup> / <sub>32</sub>	50	

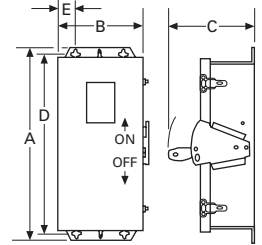


Dimensions and Shipping Weights

Not to be used for construction purposes unless approved.  
Inches and Millimeters.

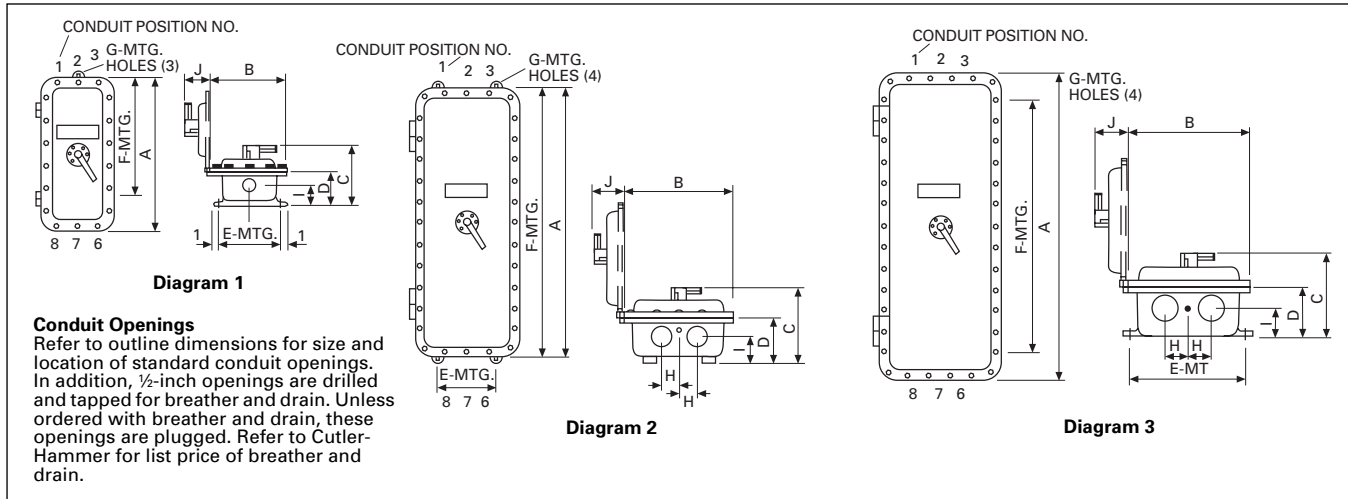
NEMA 4/4X, 5 Stainless Steel

Catalog Number	App. Wt. Lbs.	Max. Amperes	Dimensions									
			A		B		C		D		E	
			Inches	mm	Inches	mm	Inches	mm	Inches	mm	Inches	mm
WGDN100	16	100	19 <sup>3</sup> / <sub>32</sub>	506	8 <sup>2</sup> / <sub>32</sub>	225	9 <sup>5</sup> / <sub>16</sub>	237	18 <sup>1</sup> / <sub>2</sub>	471	1 <sup>4</sup> / <sub>64</sub>	43
WFDN100	16	100	19 <sup>3</sup> / <sub>32</sub>	506	8 <sup>2</sup> / <sub>32</sub>	225	9 <sup>5</sup> / <sub>16</sub>	237	18 <sup>1</sup> / <sub>2</sub>	471	1 <sup>4</sup> / <sub>64</sub>	43
WFDN150	20	150	25 <sup>2</sup> / <sub>32</sub>	652	8 <sup>2</sup> / <sub>32</sub>	225	9 <sup>5</sup> / <sub>16</sub>	237	24 <sup>3</sup> / <sub>32</sub>	617	1 <sup>4</sup> / <sub>64</sub>	43
WFDN225	20	225	25 <sup>2</sup> / <sub>32</sub>	652	8 <sup>2</sup> / <sub>32</sub>	225	9 <sup>5</sup> / <sub>16</sub>	237	24 <sup>3</sup> / <sub>32</sub>	617	1 <sup>4</sup> / <sub>64</sub>	43
WJDN250	39	250	37 <sup>1</sup> / <sub>2</sub>	953	11 <sup>9</sup> / <sub>16</sub>	294	10 <sup>7</sup> / <sub>32</sub>	260	35 <sup>9</sup> / <sub>64</sub>	909	1 <sup>5</sup> / <sub>16</sub>	49
WKDN400	60	400	41 <sup>1</sup> / <sub>16</sub>	1059	11 <sup>3</sup> / <sub>4</sub>	298	14 <sup>1</sup> / <sub>16</sub>	357	39 <sup>5</sup> / <sub>16</sub>	1014	1 <sup>3</sup> / <sub>32</sub>	50
WLDN600	88	600	48 <sup>5</sup> / <sub>16</sub>	1227	14 <sup>29</sup> / <sub>32</sub>	379	15 <sup>1</sup> / <sub>2</sub>	394	46 <sup>9</sup> / <sub>16</sub>	1183	1 <sup>5</sup> / <sub>64</sub>	49
WNDN1200	185	1200	63 <sup>3</sup> / <sub>32</sub>	1545	22	559	17 <sup>7</sup> / <sub>8</sub>	448	61 <sup>2</sup> / <sub>32</sub>	1571	1 <sup>3</sup> / <sub>32</sub>	50



NEMA 4/4X, 5 Stainless Steel

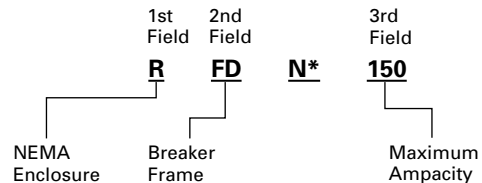
Catalog Number	Breaker Size (Amperes)	Overall Enclosure				Enclosure Mounting			Conduit		Hinged Cover	Standard Conduit		Weight (lbs.)	Dia. No.
		A	B	C	D	E	F	G	H	I	J	Size	Location		
XFDN050	50	15	10 <sup>5</sup> / <sub>8</sub>	8 <sup>3</sup> / <sub>4</sub>	5 <sup>1</sup> / <sub>16</sub>	9	12	1/2	1 <sup>3</sup> / <sub>4</sub>	3 <sup>3</sup> / <sub>4</sub>	2 <sup>5</sup> / <sub>8</sub>	1 <sup>1</sup> / <sub>4</sub>	2 & 7	34	1
XFDN225	100/225	25 <sup>1</sup> / <sub>2</sub>	12 <sup>1</sup> / <sub>2</sub>	10 <sup>5</sup> / <sub>8</sub>	7 <sup>5</sup> / <sub>8</sub>	10 <sup>1</sup> / <sub>2</sub>	20	1/2	2	3 <sup>3</sup> / <sub>4</sub>	4 <sup>3</sup> / <sub>4</sub>	2	2 & 7	70	1
XJDN250	250	38 <sup>1</sup> / <sub>2</sub>	13	11 <sup>1</sup> / <sub>4</sub>	8 <sup>3</sup> / <sub>4</sub>	11 <sup>1</sup> / <sub>2</sub>	28	1/2	2 <sup>1</sup> / <sub>2</sub>	3 <sup>1</sup> / <sub>2</sub>	5 <sup>1</sup> / <sub>2</sub>	2 <sup>1</sup> / <sub>2</sub>	2 & 7	120	1
XKDN400	400	44 <sup>3</sup> / <sub>4</sub>	18	12 <sup>3</sup> / <sub>4</sub>	9 <sup>3</sup> / <sub>4</sub>	10	45	1/2	3	4	5 <sup>1</sup> / <sub>2</sub>	3	1, 3 & 6, 8	180	2
XMCN800	600/800	50 <sup>3</sup> / <sub>4</sub>	20 <sup>3</sup> / <sub>4</sub>	15	12 <sup>1</sup> / <sub>2</sub>	22	40	1/2	4	5	6	4	1, 3 & 6, 8	460	3
XNDN1200	1200	65	25	15 <sup>1</sup> / <sub>4</sub>	12 <sup>3</sup> / <sub>4</sub>	23 <sup>1</sup> / <sub>2</sub>	50	1/2	6 <sup>1</sup> / <sub>2</sub>	4 <sup>3</sup> / <sub>4</sub>	7	4	1, 3 & 6, 8	600	3



**Conduit Openings**  
Refer to outline dimensions for size and location of standard conduit openings. In addition, 1/2-inch openings are drilled and tapped for breather and drain. Unless ordered with breather and drain, these openings are plugged. Refer to Cutler-Hammer for list price of breather and drain.

Circuit Breaker Enclosure Interpretation Data

1st Field Enclosure Type	2nd Field Breaker Family	3rd Field Maximum Ampacity
NEMA 1	Flush	F
	Surface	S
NEMA 3R		R
NEMA 12		J
NEMA 12K		D
NEMA 4, 4X, 5	Stainless	W
NEMA 7/9	Cast Al.	X
	G-Frame	50
	F-Frame	100
	J-Frame	150
	K-Frame	225
	L-Frame	250
	M-Frame	400
	N-Frame	600
		1200



\* "N" in this position indicates enclosure complies with 1981 NEC gutter space requirement.

① Power cables must enter and leave from opposite ends (through feed).

## Standards

Series C<sup>®</sup> molded case circuit breakers are designed to conform with the following standards:

- Underwriters Laboratories, Inc., Standard UL 489, Molded Case Circuit Breakers and Circuit Breaker Enclosures
- National Electrical Manufacturers Association Standards Publication No. AB1-1993, Molded Case Circuit Breakers
- Australian Standard AS 2184, Molded Case Circuit Breakers
- British Standards Institution Standard BS 4752: Part 1, Switchgear and Control Gear Part 1: Circuit Breakers
- Canadian Standards Association Standard C22.2 No. 5, Service Entrance and Branch Circuit Breakers
- International Electrotechnical Commission Recommendations IEC 157-1, Circuit Breakers
- Japanese T-Mark Standard Molded Case Circuit Breakers
- South African Bureau of Standards, Standard SABS 156, Standard Specification for Molded Case Circuit Breakers
- Swiss Electro-Technical Association Standard SEV 157-1, Safety Regulations for Circuit Breakers
- Union Technique de l'Electricite Standard NF C 63-120, Low Voltage Switchgear and Control Gear Circuit Breaker Requirements
- Verband Deutscher Elektrotechniker (Association of German Electrical Engineers) Standard VDE 0660, Low Voltage Switchgear and Control Gear, Circuit Breakers

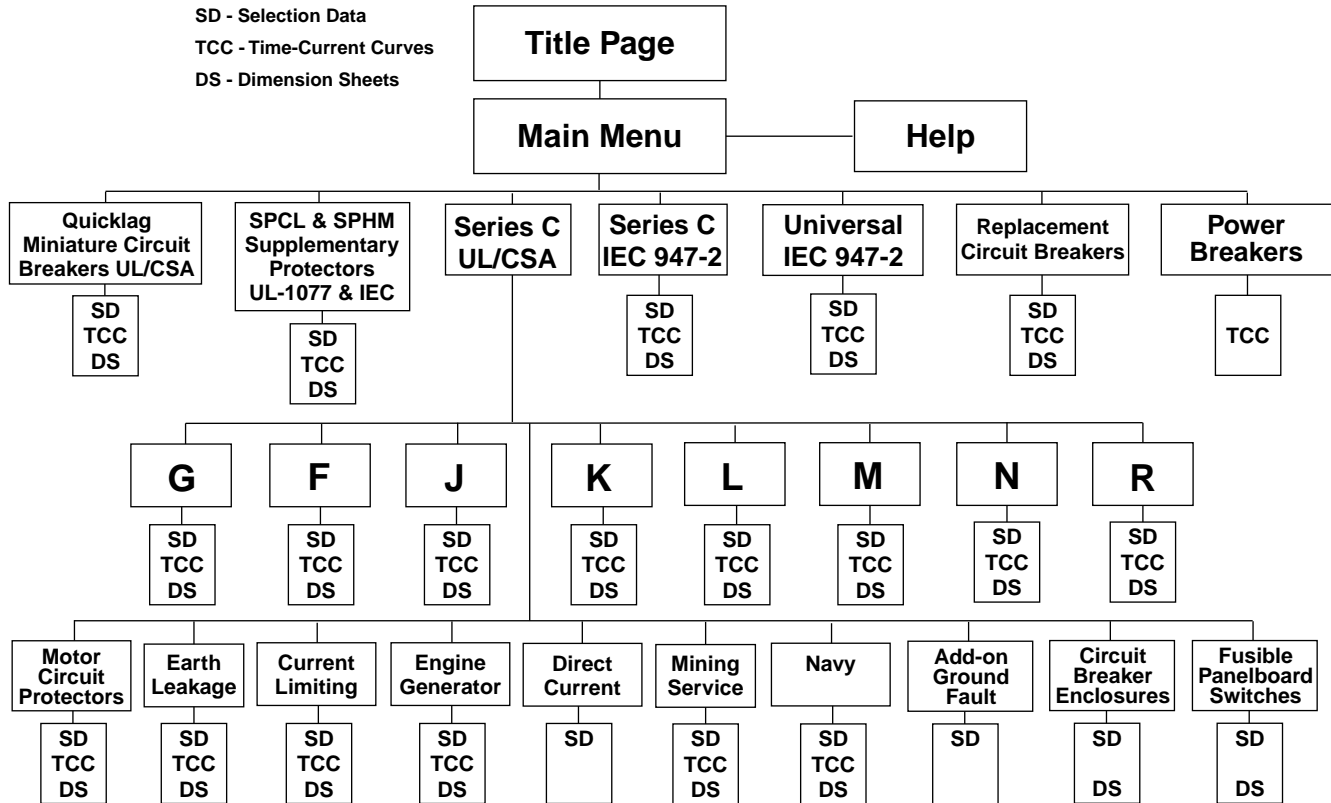
Conformance with these standards satisfies most local and international codes, assuming user acceptability and simplified application.

Series C molded case circuit breakers equal or exceed Federal Specification Classification W-C-375b requirements for the particular class associated with the circuit breaker frame being considered.

## Further Information

Circuit Breaker  
CD-ROM SA.74A.01.T.E

## Navigation Chart of CD-ROM



## System Requirements

- Processor: 486 or faster (Pentium® or Pentium Pro recommended)
- Operating System: Microsoft Windows 95, Windows 98, Windows NT 3.5, or Windows NT 4.0
- Memory: 8 MB of available RAM (16 MB recommended)
- Available Hard Disk Storage Space: 12 MB
- Devices: a CD-ROM drive and a mouse
- Monitor: minimum 640 x 480 resolution and 8-bit color (256 colors)

## Installation Instructions

- This is an autorun CD. Just insert this disk in the CD-ROM drive and wait for it to launch.

CD-ROM Installation Help Line: U.S.: 1-800-270-5134  
Outside of the United States: Contact your local Cutler-Hammer sales office.

If the CD is not included in this Product Guide, contact Cutler-Hammer Fulfillment Center at 1-800-957-7050 and ask for SA.74A.01.T.E.

**Miniature Circuit Breakers**

**Selection Guide** ..... 2

**QUICKLAG® Industrial Circuit Breakers**

Circuit Breakers, Plug-on Types HQP, QPHW, QHPX, QHPW ..... 5

Ground Fault Circuit Breakers, Plug-on Types QPGF, QPHGF ..... 6

Ground Fault Equipment Protectors, Plug-on Types QPGFEP, QPHGFEP ..... 6

Circuit Breakers, Bolt-on Types BA, QBHW, HBAX, HBAW ..... 7

Ground Fault Circuit Breakers, Bolt-on Types QBGF, QBHGF ..... 8

Ground Fault Equipment Protectors, Bolt-on Types QBGFEP, QBHGFEP ..... 8

Circuit Breakers, Cable-in/Cable-out

1-Inch per Pole Types QC, QCHW, QHCX, QHCW ... 9

1/2-Inch per Pole Types QCR, QCF, QCRH, QCFH ... 10

Ground Fault Circuit Breakers, Cable-in/Cable-out Types QCGF, QCHGF ..... 13

Ground Fault Equipment Protectors, Cable-in/Cable-out Types QPGFEP, QCHGFEP ..... 13

Solenoid-operated, Remote-controlled Types GHBS, GBHS ..... 14

International Rated Circuit Breakers ..... 16

Special Application Breakers ..... 17

Accessories ..... 18

Factory Modifications, Factory Installed Terminals ... 19

**Supplementary Protectors**

Type SPCL Current Limiting ..... 20

Type SPHM Hydraulic Magnetic ..... 23

**Molded Case Circuit Breakers**

**Selection Guide** ..... 3

**Series C Circuit Breakers**

G-Frame ..... 25

F-Frame ..... 31

J-Frame ..... 37

K-Frame ..... 43

L-Frame ..... 55

M-Frame ..... 67

N-Frame ..... 75

R-Frame ..... 89

**Specific Application Circuit Breakers**

Motor Circuit Protectors ..... 107

Earth Leakage ..... 113

Current Limiting

Non-fused ..... 115

Fused ..... 117

Engine Generator ..... 129

Direct Current ..... 133

Mining Service ..... See CD-ROM SA.74A.01.T.E

Navy ..... See CD-ROM SA.74A.01.T.E

**Add-on Ground Fault Protection** ..... 135

**Internal Accessories**

Alarm Switch ..... 139

Auxiliary Switch ..... 142

Auxiliary and Alarm Switch Combination ..... 145

Shunt Trip ..... 147

Low Energy Shunt Trip ..... 152

Undervoltage Release Mechanism ..... 153

Terminal Block ..... 160

Communication Kits ..... 160

**External Accessories**

Termination Hardware ..... 161

Mounting Hardware ..... 163

Locking Devices ..... 168

Interlocking Devices ..... 170

Electric Operators ..... 172

Plug-in Adapters ..... 174

Rear Connecting Studs ..... 175

Panelboard Connecting Straps ..... 177

Handle Mechanisms ..... 178

**Circuit Breaker Enclosures** ..... 187

**Standards** ..... 191

**Circuit Breaker Electronic Catalog**  
Navigation Chart of Attached CD-ROM ..... 192



- Product Guide
- Selection Data
- Time Current Curves
- Dimensions

Website: [www.cutlerhammer.eaton.com](http://www.cutlerhammer.eaton.com)

Copyright Cutler-Hammer Inc., 1999.  
All Rights Reserved.

Circuit Breaker Type	Circuit Breaker Type Code	Cont. Ampere Rating At 40°C	Number of Poles	Volts		Federal Spec. W-C-375b	Interrupting Ratings rms Symmetrical Amperes						Page Number
				Ac	Dc		Ac Ratings Volts			Dc②			
							120	120/240	240	24-48	62.5	80	

### Quicklag Industrial Circuit Breakers①

#### Plug-in, Bolt-on, Cable-in/Cable-out

HQP	P	10-70	1	120/240	24, 48, 62.5	10a, 11a, 12a	—	10,000	—	5,000	③	—	5
HQP		10-125	2	120/240	24, 48, 80	10a, 12a	—	10,000	—	5,000	5,000	5,000	5
HQP		10-100	2, 3	240	—	10b, 11b, 12b	—	—	10,000	—	—	—	5
QPHW	P	15-70	1	120/240	24, 48, 62.5	14a	—	22,000	—	5,000	③	—	5
QPHW		15-125	2	120/240	24, 48, 80	14a	—	22,000	—	5,000	5,000	5,000	5
QPHW		15-100	2, 3	240	—	14b	—	—	22,000	—	—	—	5
QHPX	P	15-70	1	120/240	24, 48, 62.5	—	—	42,000	—	5,000	③	—	5
QHPX		15-100	2	120/240	24, 48, 80	—	—	42,000	—	5,000	5,000	5,000	5
QHPX		15-100	3	240	—	—	—	—	42,000	—	—	—	5
QHPW	P	15-30	1	120/240	24, 48, 62.5	15a	—	65,000	—	5,000	③	—	5
QHPW		15-30	2	120/240	24, 48, 80	15a	—	65,000	—	5,000	5,000	5,000	5
QHPW		15-20	3	240	—	15b	—	—	65,000	—	—	—	5
QPGF	P, GF	15-40	1	120	—	10a, 11a, 12a	10,000	—	—	—	—	—	6
QPGF		15-50	2	120/240	—	10a, 11a, 12a	—	10,000	—	—	—	—	6
QPHGF	P, GF	15-30	1	120	—	10a, 11a, 12a	22,000	—	—	—	—	—	6
QPHGF		15-50	2	120/240	—	10a, 11a, 12a	—	22,000	—	—	—	—	6
QPGFEP	P, GFEP	15-40	1	120	—	—	10,000	—	—	—	—	—	6
QPGFEP		15-50	2	120/240	—	—	—	10,000	—	—	—	—	6
QPHGFEP	P, GFEP	15-30	1	120	—	—	22,000	—	—	—	—	—	6
QPHGFEP		15-30	2	120/240	—	—	22,000	22,000	—	—	—	—	6
BAB	B	10-70	1	120/240	24, 48, 62.5	10a, 11a, 12a	—	10,000	—	5,000	③	—	7
BAB		10-125	2	120/240	24, 48, 80	10a, 12a	—	10,000	—	5,000	5,000	5,000	7
BAB		10-100	2, 3	240	—	10b, 11b, 12b	—	—	10,000	—	—	—	7
QBHW	B	15-70	1	120/240	24, 48, 62.5	14a	—	22,000	—	5,000	③	—	7
QBHW		15-125	2	120/240	24, 48, 80	14a	—	22,000	—	5,000	5,000	5,000	7
QBHW		15-100	2, 3	240	—	14b	—	—	22,000	—	—	—	7
HBAX	B	15-70	1	120/240	24, 48, 62.5	—	—	42,000	—	5,000	③	—	7
HBAX		15-100	2	120/240	24, 48, 80	—	—	42,000	—	5,000	5,000	5,000	7
HBAX		15-100	3	240	—	—	—	—	42,000	—	—	—	7
HBAW	B	15-30	1	120/240	24, 48, 62.5	15a	—	65,000	—	5,000	③	—	7
HBAW		15-30	2	120/240	24, 48, 80	15a	—	65,000	—	5,000	5,000	5,000	7
HBAW		15-20	3	240	—	15b	—	—	65,000	—	—	—	7
QBGF	B, GF	15-40	1	120	—	10a, 11a, 12a	10,000	—	—	—	—	—	8
QBGF		15-50	2	120/240	—	10a, 11a, 12a	—	10,000	—	—	—	—	8
QBHGF	B, GF	15-30	1	120	—	10a, 11a, 12a	22,000	—	—	—	—	—	8
QBHGF		15-30	2	120/240	—	10a, 11a, 12a	—	22,000	—	—	—	—	8
QBGFEP	B, GFEP	15-40	1	120	—	—	10,000	—	—	—	—	—	8
QBGFEP		15-50	2	120/240	—	—	—	10,000	—	—	—	—	8
QBHGFEP	B, GFEP	15-30	1	120	—	—	22,000	—	—	—	—	—	8
QBHGFEP		15-30	2	120/240	—	—	22,000	22,000	—	—	—	—	8
QC	C	10-70	1	120/240	24, 48, 62.5	10a, 11a, 12a	—	10,000	—	5,000	③	—	9
QC		10-100	2	120/240	24, 48, 80	10a, 12a	—	10,000	—	5,000	5,000	5,000	9
QC		10-100	2, 3, 4	240	—	10b, 11b, 12b	—	—	10,000	—	—	—	9
QCF	C	10-60	1, 2	120/240	24, 48, 62.5	—	10,000	10,000	—	3,000	③	—	10
QCF		15-20	1, 2	120/240	24, 48, 62.5	—	22,000	—	—	3,000	3,000	—	10
QCF		15-30	2, 3	240	24, 48, 62.5	—	—	10,000	—	3,000	3,000	—	10
QCR		10-60	1, 2	120/240	24, 48, 62.5	—	10,000	10,000	—	3,000	2,000	—	10
QCR		15-20	1, 2	120/240	24, 48, 62.5	—	22,000	—	—	3,000	3,000	—	10
QCR		15-30	2, 3	240	24, 48, 62.5	—	—	10,000	—	3,000	3,000	—	10
QCHW	C	15-70	1	120/240	24, 48, 62.5	14a	—	22,000	—	5,000	③	—	9
QCHW		15-100	2	120/240	24, 48, 80	14a	—	22,000	—	5,000	5,000	5,000	9
QCHW		15-100	2, 3	240	—	14b	—	—	22,000	—	—	—	9
QHCX	C	15-70	1	120/240	24, 48, 62.5	—	—	42,000	—	5,000	③	—	9
QHCX		15-100	2	120/240	24, 48, 80	—	—	42,000	—	5,000	5,000	5,000	9
QHCX		15-100	3	240	—	—	—	—	42,000	—	—	—	9
QHCW	C	15-30	1	120/240	24, 48, 62.5	15a	—	65,000	—	5,000	③	—	9
QHCW		15-30	2	120/240	24, 48, 80	15a	—	65,000	—	5,000	5,000	5,000	9
QHCW		15-20	3	240	—	15b	—	—	65,000	—	—	—	9
QCGF	C, GF	15-40	1	120	—	—	10,000	—	—	—	—	—	13
QCGF		15-50	2	120/240	—	—	—	10,000	—	—	—	—	13
QCHGF	C, GF	15-30	1	120	—	—	22,000	—	—	—	—	—	13
QCHGF		15-30	2	120/240	—	—	—	22,000	—	—	—	—	13
QCGFEP	C, GFEP	15-40	1	120	—	—	10,000	—	—	—	—	—	13
QCGFEP		15-50	2	120/240	—	—	—	10,000	—	—	—	—	13
QCHGFEP	C, GFEP	15-30	1	120	—	—	22,000	—	—	—	—	—	13
QCHGFEP		15-30	2	120/240	—	—	—	22,000	—	—	—	—	13

Circuit Breaker Type Codes: P Plug-in; B Bolt-on; C Cable-in/Cable-out; GF Ground Fault, 5 ma; GFEP Ground Fault, 30 ma.

For Types SPCL and SPHM Supplementary Protectors, see pages 20 and 23.

For Types GHBS and GBHS Solenoid-operated, Remote-controlled Circuit Breakers, see page 14.

① QUICKLAG circuit breakers are suitable for application in relative humidity 0-95% non-condensating.

② Two-pole dc interrupting ratings based on 2 poles connected in series.

③ 62.5 Vac interrupting rating is 3800 AIC 10-50 amperes and 2500 AIC 55-100 amperes continuous.



Circuit Breaker Type	Cont. Amp Rating At 40°C	No. Poles	Volts		Type of Trip <sup>①</sup>	Federal Spec. W-C-375b	UL Listed Interrupting Ratings rms Symmetrical Amperes									Page Number
			Ac	Dc			Ac Ratings Volts						Dc <sup>②</sup>			
							120	120/240	240	277	480	600	125	250	125/250	

**Series C<sup>®</sup> Industrial Circuit Breakers**  
**G-Frame**

GB	15-100	1	120	125	N.I.T.	11a	65,000	-	-	-	-	-	14,000	-	-	27
GB	15-100	2, 3	240	125/250		10b, 11b, 12b, 14b, 15b	-	-	65,000	-	-	-	-	-	14,000	27
GHB	15-100	1	120	125	N.I.T.	11a	65,000	-	-	-	-	-	14,000	-	-	27
GHB	15-100	2, 3	240	125/250		10b, 11b, 12b, 14b, 15b	-	-	65,000	-	-	-	-	-	14,000	27
GHB	15-100	1	277	125		12b, 14b, 15b	-	-	-	14,000	-	-	14,000	-	-	27
GHB	15-100	2, 3	277/480	125/250		12c, 13a 13b	-	-	-	14,000	14,000	-	-	-	14,000	27

GC	15-100	1	120	125	N.I.T.	11a	65,000	-	-	-	-	-	14,000	-	-	28
GC	15-100	2, 3	240	125/250		10b, 11b, 12b, 14b, 15b	-	-	65,000	-	-	-	-	-	14,000	28
GHC	15-100	1	120	125	N.I.T.	12c, 13a	65,000	-	-	-	-	-	14,000	-	-	28
GHC	15-100	2, 3	240	125/250		13b	-	-	65,000	-	-	-	-	-	14,000	28
GHC	15-100	1	277	125		12c, 13a	-	-	-	14,000	-	-	14,000	-	-	28
GHC	15-100	2, 3	277/480	125/250		13b	-	-	-	14,000	14,000	-	-	-	14,000	28

**F-Frame**

GD	15-100	3	480	250	N.I.T.	13b	-	-	65,000	-	22,000	-	-	10,000	-	26
ED	100-255	2, 3	240	125	N.I.T.	12b	-	-	65,000	-	-	-	10,000	-	-	32
EDH	100-255	2, 3	240	125		14b	-	-	100,000	-	-	-	10,000	-	-	32
EDC	100-255	2, 3	240	125		1	-	-	200,000	-	-	-	10,000	-	-	32
EHD	15-100	1	277	125	N.I.T.	13a	-	-	-	14,000	-	-	10,000	-	-	32
EHD	15-100	2, 3	480	250		13b	-	-	18,000	-	14,000	-	-	10,000	-	32
FDB	15-150	2, 3	600	250	N.I.T.	18a	-	-	18,000	-	14,000	14,000	-	10,000	-	32
FDB	15-150	4	600	250		③	-	-	18,000	-	14,000	14,000	-	10,000	-	32
FD	15-150	1	277	125	N.I.T.	13a	-	-	-	25,000	-	-	10,000	-	-	32
FD	15-150	2, 3	600	250		22a	-	-	65,000	-	25,000	18,000	-	10,000	-	32
FD	15-150	4	600	250		③	-	-	65,000	-	25,000	18,000	-	10,000	-	32
HFD	15-150	1	277	125	N.I.T.	13a	-	-	-	65,000	-	-	10,000	-	-	33
HFD	15-150	2, 3	600	250		22a	-	-	100,000	-	65,000	25,000	-	20,000	-	33
HFD	15-150	4	600	250		③	-	-	100,000	-	65,000	25,000	-	20,000	-	33
FDC	15-150	2, 3	600	250	N.I.T.	24a	-	-	200,000	-	100,000	35,000	-	20,000	-	33
FDC	15-150	4	600	250		③	-	-	200,000	-	100,000	35,000	-	20,000	-	33

**J-Frame**

JDB	70-250	2, 3	600	250	N.I.T.	22a	-	-	65,000	-	25,000	18,000	-	10,000	-	39
JD	70-250	2, 3, 4	600	250	I.T	22a	-	-	65,000	-	25,000	18,000	-	10,000	-	38
HJD	70-250	2, 3, 4	600	250	I.T	22a	-	-	100,000	-	65,000	25,000	-	22,000	-	38
JDC	70-250	2, 3, 4	600	250	I.T	22a	-	-	200,000	-	100,000	35,000	-	22,000	-	38

**K-Frame**

DK	250-400	2, 3	240	250	N.I.T.	14b	-	-	65,000	-	-	-	-	10,000	-	47
KDB	100-400	2, 3	600	250	N.I.T.	23a	-	-	65,000	-	35,000	25,000	-	10,000	-	47
KD	100-400	2, 3, 4	600	250	I.T	23a	-	-	65,000	-	35,000	25,000	-	10,000	-	45, 46, 49
CKD	100-400	2, 3, 4	600	250	I.T	23a	-	-	65,000	-	35,000	25,000	-	10,000	-	48, 50
HKD	100-400	2, 3, 4	600	250	I.T	23a	-	-	100,000	-	65,000	35,000	-	22,000	-	45, 46, 49
CHKD	100-400	2, 3, 4	600	250	I.T	23a	-	-	100,000	-	65,000	35,000	-	22,000	-	48, 50
KDC	100-400	2, 3, 4	600	250	I.T	23a	-	-	200,000	-	100,000	50,000	-	22,000	-	45, 46, 49

**L-Frame**

LDB	300-600	2, 3	600	250	N.I.T.	23a	-	-	65,000	-	35,000	25,000	-	22,000	-	58
LD	300-600	2, 3, 4	600	250	I.T	23a	-	-	65,000	-	35,000	25,000	-	22,000	-	57, 59
CLD	300-600	2, 3, 4	600	250	I.T	23a	-	-	65,000	-	35,000	25,000	-	22,000	-	58, 61
HLD	300-600	2, 3, 4	600	250	I.T	23a	-	-	100,000	-	65,000	35,000	-	25,000	-	57, 59
CHLD	300-600	2, 3, 4	600	250	I.T	23a	-	-	100,000	-	65,000	35,000	-	25,000	-	61
LDC	300-600	2, 3, 4	600	250	I.T	23a	-	-	200,000	-	100,000	50,000	-	25,000	-	57, 60
CLDC	300-600	2, 3, 4	600	250	I.T	23a	-	-	200,000	-	100,000	50,000	-	25,000	-	62

① N.I.T. is non-interchangeable trip unit and I.T. is interchangeable trip unit.

② Two-pole circuit breaker, or two poles of three-pole circuit breaker at 250 Vdc.

③ Not defined in W-C-375b.



## Selection Guide, Continued

Circuit Breaker Type	Cont. Amp Rating At 40°C	No. Poles	Volts		Type of Trip <sup>①</sup>	Federal Spec. W-C-375b	UL Listed Interrupting Ratings rms Symmetrical Amperes									Page Number
			Ac	Dc			Ac Ratings Volts						Dc <sup>②</sup>			
							120	120/240	240	277	480	600	125	250	125/250	
<b>Series C<sup>®</sup> Industrial Circuit Breakers</b>																
<b>M-Frame</b>																
MDL	300-800	2, 3	600	250	I.T.	23a	–	–	65,000	–	50,000	25,000	–	22,000	–	<a href="#">69, 70</a>
CMDL	300-800	2, 3	600	250	I.T.	23a	–	–	65,000	–	50,000	25,000	–	22,000	–	<a href="#">70</a>
HMDL	300-800	2, 3	600	250	I.T.	23a	–	–	100,000	–	65,000	35,000	–	25,000	–	<a href="#">69, 70</a>
CHMDL	300-800	2, 3	600	250	I.T.	23a	–	–	100,000	–	65,000	35,000	–	25,000	–	<a href="#">70</a>
<b>N-Frame</b>																
ND	600-1200	3, 4	600	–	N.I.T.	23A	–	–	65,000	–	50,000	25,000	–	–	–	<a href="#">77, 83</a>
CND	600-1200	3, 4	600	–	N.I.T.	23A	–	–	65,000	–	50,000	25,000	–	–	–	<a href="#">80, 84</a>
HND	600-1200	3, 4	600	–	N.I.T.	23A	–	–	100,000	–	65,000	35,000	–	–	–	<a href="#">78, 83</a>
CHND	600-1200	3, 4	600	–	N.I.T.	23A	–	–	100,000	–	65,000	35,000	–	–	–	<a href="#">81, 84</a>
NDC	600-1200	3, 4	600	–	N.I.T.	23A	–	–	200,000	–	100,000	50,000	–	–	–	<a href="#">79, 83</a>
CNDC	600-1200	3, 4	600	–	N.I.T.	23A	–	–	200,000	–	100,000	50,000	–	–	–	<a href="#">82, 84</a>
<b>R-Frame</b>																
RD 1600	800-1600	3, 4	600	–	N.I.T.	24a	–	–	125,000	–	65,000	50,000	–	–	–	<a href="#">91</a>
CRD 1600	800-1600	3, 4	600	–	N.I.T.	24a	–	–	125,000	–	65,000	50,000	–	–	–	<a href="#">93</a>
RD 2000	1000-2000	3, 4	600	–	N.I.T.	24a	–	–	125,000	–	65,000	50,000	–	–	–	<a href="#">91</a>
RD 2500	1000-2500	3, 4	600	–	N.I.T.	24a	–	–	200,000	–	65,000	50,000	–	–	–	<a href="#">91</a>
CRD 2000	1000-2000	3, 4	600	–	N.I.T.	24a	–	–	125,000	–	65,000	50,000	–	–	–	<a href="#">93</a>
RDC 1600	800-1600	3, 4	600	–	N.I.T.	25a	–	–	200,000	–	100,000	65,000	–	–	–	<a href="#">92</a>
CRDC 1600	800-1600	3, 4	600	–	N.I.T.	25a	–	–	200,000	–	100,000	65,000	–	–	–	<a href="#">93</a>
RDC 2000	1000-2000	3, 4	600	–	N.I.T.	25a	–	–	200,000	–	100,000	65,000	–	–	–	<a href="#">92</a>
RDC 2500	1000-2500	3, 4	600	–	N.I.T.	25a	–	–	200,000	–	100,000	65,000	–	–	–	<a href="#">92</a>
CRDC 2000	1000-2000	3, 4	600	–	N.I.T.	25a	–	–	200,000	–	100,000	65,000	–	–	–	<a href="#">93</a>
<b>Series C<sup>®</sup> HMCP Motor Circuit Protectors</b>																<a href="#">107</a>
<b>Current Limit R Current Limiting Circuit Breakers – Non-Fused Type</b>																
FCL	15-100	2, 3	480	–	N.I.T.	–	–	–	200,000	–	150,000	–	–	–	–	<a href="#">115</a>
LCL	125-400	2, 3	600	–	N.I.T.	–	–	–	200,000	–	200,000	100,000	–	–	–	<a href="#">116</a>
<b>Tri-Pac Current Limiting Circuit Breakers – Fused Type</b>																
FB	15-100	2, 3	600	250	N.I.T.	16a, 16b, 17a, 26a	–	–	200,000	–	200,000	200,000	–	–	100,000	<a href="#">117</a>
LA	70-400	2, 3	600	250	I.T.	16a, 16b, 17a, 26a	–	–	200,000	–	200,000	200,000	–	–	100,000	<a href="#">118</a>
NB	300-800	2, 3	600	250	I.T.	16b, 17a, 26a	–	–	200,000	–	200,000	200,000	–	–	100,000	<a href="#">119</a>
PB	600-1600	2, 3	600	250	I.T.	17a, 26a	–	–	200,000	–	200,000	200,000	–	–	100,000	<a href="#">120</a>

① N.I.T. is non-interchangeable trip unit and I.T. is interchangeable trip unit.

② Two-pole circuit breaker, or two poles of three-pole circuit breaker at 250 Vdc.

QUICKLAG Industrial Circuit Breakers Plug-on

Description

Built and Listed to UL 489

QUICKLAG Circuit Breakers  
Plug-on Type

- Type HQP: 10-150 Amperes, 10,000 AIC
- Type QPHW: 15-125 Amperes, 22,000 AIC
- Type QHPX: 15-100 Amperes, 42,000 AIC
- Type QHPW: 15-30 Amperes, 65,000 AIC



QUICKLAG Type HQP 1-Pole



QUICKLAG Type HQP 2-Pole



QUICKLAG Type HQP 3-Pole

Breaker Catalog Numbers

Continuous Ampere Rating at 40°C	Catalog Number			
	1-Pole <sup>①②</sup>		2-Pole <sup>①②</sup>	
	120/240 Vac		240 Vac	240 Vac

QUICKLAG Type: HQP 10,000 Ampere I.C. Thermal-Magnetic Breakers

10	HQP1010	HQP2010	HQP2010H	HQP3010H
15	HQP1015 <sup>③④</sup>	HQP2015	HQP2015H	HQP3015H
20	HQP1020 <sup>③④</sup>	HQP2020	HQP2020H	HQP3020H
25	HQP1025	HQP2025	HQP2025H	HQP3025H
30	HQP1030	HQP2030	HQP2030H	HQP3030H
35	HQP1035	HQP2035	HQP2035H	HQP3035H
40	HQP1040	HQP2040	HQP2040H	HQP3040H
45	HQP1045	HQP2045	HQP2045H	HQP3045H
50	HQP1050	HQP2050	HQP2050H	HQP3050H
55	HQP1055	HQP2055	HQP2055H	HQP3055H
60	HQP1060	HQP2060	HQP2060H	HQP3060H
70	HQP1070	HQP2070	HQP2070H	HQP3070H
80	-	HQP2080	HQP2080H	HQP3080H
90	-	HQP2090	HQP2090H	HQP3090H
100	HQP1100	HQP2100	HQP2100H	HQP3100H
110	-	HQP2110	-	-
125	-	HQP2125	-	-
150	-	HQP2150	-	-

QUICKLAG Type: QPHW 22,000 Ampere I.C. Thermal-Magnetic Breakers

15	QPHW1015 <sup>③</sup>	QPHW2015	QPHW2015H	QPHW3015H
20	QPHW1020 <sup>③</sup>	QPHW2020	QPHW2020H	QPHW3020H
25	QPHW1025	QPHW2025	QPHW2025H	QPHW3025H
30	QPHW1030	QPHW2030	QPHW2030H	QPHW3030H
35	QPHW1035	QPHW2035	QPHW2035H	QPHW3035H
40	QPHW1040	QPHW2040	QPHW2040H	QPHW3040H
45	QPHW1045	QPHW2045	QPHW2045H	QPHW3045H
50	QPHW1050	QPHW2050	QPHW2050H	QPHW3050H
55	QPHW1055	QPHW2055	QPHW2055H	QPHW3055H
60	QPHW1060	QPHW2060	QPHW2060H	QPHW3060H
70	QPHW1070	QPHW2070	QPHW2070H	QPHW3070H
80	-	QPHW2080	QPHW2080H	QPHW3080H
90	-	QPHW2090	QPHW2090H	QPHW3090H
100	-	QPHW2100	QPHW2100H	QPHW3100H
110	-	QPHW2110	-	-
125	-	QPHW2125	-	-

QUICKLAG Type: QHPX 42,000 Ampere I.C. Thermal-Magnetic Breakers

15	QHPX1015 <sup>③</sup>	QHPX2015	-	QHPX3015H
20	QHPX1020 <sup>③</sup>	QHPX2020	-	QHPX3020H
25	QHPX1025	QHPX2025	-	QHPX3025H
30	QHPX1030	QHPX2030	-	QHPX3030H
35	QHPX1035	QHPX2035	-	QHPX3035H
40	QHPX1040	QHPX2040	-	QHPX3040H
45	QHPX1045	QHPX2045	-	QHPX3045H
50	QHPX1050	QHPX2050	-	QHPX3050H
55	QHPX1055	QHPX2055	-	QHPX3055H
60	QHPX1060	QHPX2060	-	QHPX3060H
70	QHPX1070	QHPX2070	-	QHPX3070H
80	-	QHPX2080	-	QHPX3080H
90	-	QHPX2090	-	QHPX3090H
100	-	QHPX2100	-	QHPX3100H

QUICKLAG Type: QHPW 65,000 Ampere I.C. Thermal-Magnetic Breakers

15	QHPW1015 <sup>③</sup>	QHPW2015	-	QHPW3015H
20	QHPW1020 <sup>③</sup>	QHPW2020	-	QHPW3020H
25	QHPW1025	QHPW2025	-	-
30	QHPW1030	QHPW2030	-	-

Shipping Data

Poles	Carton Quantity	Approximate Weight Lbs. (Kgs)	Dimensions Inches (mm)
1	24	9.000 (4.09)	12.500 (317.50) x 7.500 (190.50) x 5.000 (127.00)
2	12	9.000 (4.09)	12.500 (317.50) x 7.500 (190.50) x 5.000 (127.00)
3	8	9.000 (4.09)	12.500 (317.50) x 7.500 (190.50) x 5.000 (127.00)

- ① All products UL and CSA listed.
- ② All products 15-100A are HACR rated.
- ③ Switching duty rated for 120 Vac fluorescent light applications.
- ④ For special low-magnetic breaker order HQP1015L1 or HQP1020L1

**QUICKLAG Industrial Ground Fault Circuit Breakers and Equipment Protectors Plug-on**

## Description

### Plug-on Type

Built and Listed to UL 489

### QUICKLAG Ground Fault Circuit Breakers, Class A GFCI

Built and Tested to UL 943

### 5mA Trip Sensitivity

Type QPGF: 15-50 Amperes,  
10,000 AIC

Type QPHGF: 15-30 Amperes,  
22,000 AIC

### QUICKLAG Ground Fault Equipment Protectors

Built and Listed to UL 1053

### 30mA Trip Sensitivity

Type QPGFEP: 15-50 Amperes,  
10,000 AIC

Type QPHGFEP: 15-30 Amperes,  
22,000 AIC



QUICKLAG Type QPGF 1-Pole Ground Fault Circuit Breaker



QUICKLAG Type QPGF 2-Pole Ground Fault Circuit Breaker

### Shipping Data

Shipped individually or in carton quantities.

Poles	Carton Quantity	Approximate Weight Lbs. (Kgs)	Dimensions Inches (mm)
1	20	11.000 (4.99)	12.500 (317.50) x 6.500 (165.10) x 5.000 (127.00)
2	5	5.000 (2.29)	15.500 (393.70) x 6.000 (152.40) x 4.500 (114.30)

## Breaker Catalog Numbers

Continuous Ampere Rating at 40°C	Catalog Number	
	1-Pole	2-Pole
	120 Vac	120/240 Vac

### Ground Fault Circuit Breakers – 5mA Sensitivity

QUICKLAG Type: QPGF 10,000 Ampere I.C. Thermal-Magnetic Breakers

15	QPGF1015	QPGF2015
20	QPGF1020	QPGF2020
25	QPGF1025	QPGF2025
30	QPGF1030	QPGF2030
40	QPGF1040	QPGF2040
50	–	QPGF2050

### QUICKLAG Type: QPHGF 22,000 Ampere I.C. Thermal-Magnetic Breakers

15	QPHGF1015	QPHGF2015
20	QPHGF1020	QPHGF2020
25	QPHGF1025	QPHGF2025
30	QPHGF1030	QPHGF2030

### Ground Fault Equipment Protectors – 30mA Sensitivity

QUICKLAG Type: QPGFEP 10,000 Ampere I.C. Thermal-Magnetic Breakers

15	QPGFEP1015	QPGFEP2015
20	QPGFEP1020	QPGFEP2020
25	QPGFEP1025	QPGFEP2025
30	QPGFEP1030	QPGFEP2030
40	QPGFEP1040	QPGFEP2040
50	–	QPGFEP2050

### QUICKLAG Type: QPHGFEP 22,000 Ampere I.C. Thermal-Magnetic Breakers

15	QPHGFEP1015	QPHGFEP2015
20	QPHGFEP1020	QPHGFEP2020
25	QPHGFEP1025	QPHGFEP2025
30	QPHGFEP1030	QPHGFEP2030

### Special Application Ground Fault Circuit Protectors – 5mA Sensitivity

QUICKLAG Type: QPGF 10,000 Ampere I.C. with Bell Alarm (W1) or Auxiliary Switch (W2)

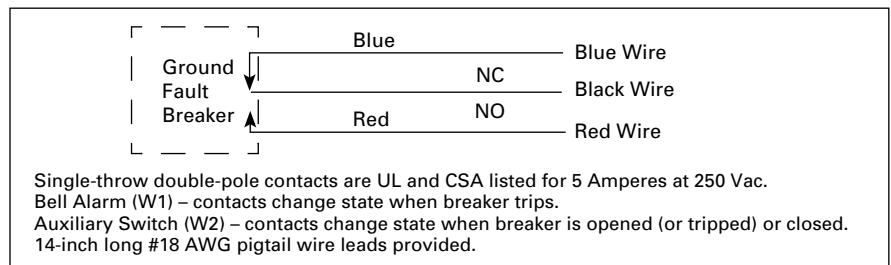
15	QPGF1015W1	QPGF2015W1
20	QPGF1020W1	QPGF2020W1
25	QPGF1025W1	QPGF2025W1
30	QPGF1030W1	QPGF2030W1
40	–	QPGF2040W1
50	–	QPGF2050W1
15	QPGF1015W2	–
20	QPGF1020W2	–
25	QPGF1025W2	–
30	QPGF1030W2	–

### Special Application Ground Fault Circuit Protectors – 30mA Sensitivity

QUICKLAG Type: QPGFEP 10,000 Ampere I.C. with Bell Alarm (W1) or Auxiliary Switch (W2)

15	QPGFEP1015W1	QPGFEP2015W1
20	QPGFEP1020W1	QPGFEP2020W1
25	QPGFEP1025W1	QPGFEP2025W1
30	QPGFEP1030W1	QPGFEP2030W1
40	–	QPGFEP2040W1
50	–	QPGFEP2050W1
15	QPGFEP1015W2	–
20	QPGFEP1020W2	–
25	QPGFEP1025W2	–
30	QPGFEP1030W2	–

### Bell Alarm and Auxiliary Contact Schematic



QUICKLAG Industrial Circuit Breakers Bolt-on

Description

Built and Listed to UL 489

QUICKLAG Circuit Breakers Bolt-on Type

Type BA: 10-125 Amperes, 10,000 AIC

Type QBHW: 15-125 Amperes, 22,000 AIC

Type HBAX: 15-100 Amperes, 42,000 AIC

Type HBAW: 15-30 Amperes, 65,000 AIC



QUICKLAG Type BA 1-Pole



QUICKLAG Type BA 2-Pole



QUICKLAG Type BA 3-Pole

Breaker Catalog Numbers

Continuous Ampere Rating at 40°C	Catalog Number			
	1-Pole <sup>①②</sup>	2-Pole <sup>①②</sup>		3-Pole <sup>①②</sup>
	120/240 Vac	120/240 Vac	240 Vac	240 Vac

QUICKLAG Type: BA 10,000 Ampere I.C. Thermal-Magnetic Breakers

10	BAB1010	BAB2010	BAB2010H	BAB3010H
15	BAB1015 <sup>③④</sup>	BAB2015	BAB2015H	BAB3015H
20	BAB1020 <sup>③④</sup>	BAB2020	BAB2020H	BAB3020H
25	BAB1025	BAB2025	BAB2025H	BAB3025H
30	BAB1030	BAB2030	BAB2030H	BAB3030H
35	BAB1035	BAB2035	BAB2035H	BAB3035H
40	BAB1040	BAB2040	BAB2040H	BAB3040H
45	BAB1045	BAB2045	BAB2045H	BAB3045H
50	BAB1050	BAB2050	BAB2050H	BAB3050H
55	BAB1055	BAB2055	BAB2055H	BAB3055H
60	BAB1060	BAB2060	BAB2060H	BAB3060H
70	BAB1070	BAB2070	BAB2070H	BAB3070H
80	-	BAB2080	BAB2080H	BAB3080H
90	-	BAB2090	BAB2090H	BAB3090H
100	BAB1100	BAB2100	BAB2100H	BAB3100H
110	-	BAB2110	-	-
125	-	BAB2125	-	-

QUICKLAG Type: QBHW 22,000 Ampere I.C. Thermal-Magnetic Breakers

15	QBHW1015 <sup>③</sup>	QBHW2015	QBHW2015H	QBHW3015H
20	QBHW1020 <sup>③</sup>	QBHW2020	QBHW2020H	QBHW3020H
25	QBHW1025	QBHW2025	QBHW2025H	QBHW3025H
30	QBHW1030	QBHW2030	QBHW2030H	QBHW3030H
35	QBHW1035	QBHW2035	QBHW2035H	QBHW3035H
40	QBHW1040	QBHW2040	QBHW2040H	QBHW3040H
45	QBHW1045	QBHW2045	QBHW2045H	QBHW3045H
50	QBHW1050	QBHW2050	QBHW2050H	QBHW3050H
55	QBHW1055	QBHW2055	QBHW2055H	QBHW3055H
60	QBHW1060	QBHW2060	QBHW2060H	QBHW3060H
70	QBHW1070	QBHW2070	QBHW2070H	QBHW3070H
80	-	QBHW2080	QBHW2080H	QBHW3080H
90	-	QBHW2090	QBHW2090H	QBHW3090H
100	-	QBHW2100	QBHW2100H	QBHW3100H
110	-	QBHW2110	-	-
125	-	QBHW2125	-	-

QUICKLAG Type: HBAX 42,000 Ampere I.C. Thermal-Magnetic Breakers

15	HBAX1015 <sup>③</sup>	HBAX2015	-	HBAX3015H
20	HBAX1020 <sup>③</sup>	HBAX2020	-	HBAX3020H
25	HBAX1025	HBAX2025	-	HBAX3025H
30	HBAX1030	HBAX2030	-	HBAX3030H
35	HBAX1035	HBAX2035	-	HBAX3035H
40	HBAX1040	HBAX2040	-	HBAX3040H
45	HBAX1045	HBAX2045	-	HBAX3045H
50	HBAX1050	HBAX2050	-	HBAX3050H
55	HBAX1055	HBAX2055	-	HBAX3055H
60	HBAX1060	HBAX2060	-	HBAX3060H
70	HBAX1070	HBAX2070	-	HBAX3070H
80	-	HBAX2080	-	HBAX3080H
90	-	HBAX2090	-	HBAX3090H
100	-	HBAX2100	-	HBAX3100H

QUICKLAG Type: HBAW 65,000 Ampere I.C. Thermal-Magnetic Breakers

15	HBAW1015 <sup>③</sup>	HBAW2015	-	HBAW3015H
20	HBAW1020 <sup>③</sup>	HBAW2020	-	HBAW3020H
25	HBAW1025	HBAW2025	-	-
30	HBAW1030	HBAW2030	-	-

Shipping Data

Poles	Carton Quantity	Approximate Weight Lbs. (Kgs)	Dimensions Inches (mm)
1	24	9.000 (4.09)	12.500 (317.50) x 7.500 (190.50) x 5.000 (127.00)
2	18	9.000 (4.09)	12.500 (317.50) x 7.500 (190.50) x 5.000 (127.00)
3	8	9.000 (4.09)	12.500 (317.50) x 7.500 (190.50) x 5.000 (127.00)

- ① All products UL and CSA listed.
- ② All products 15-100A are HACR rated.
- ③ Switching duty rated for 120 Vac fluorescent light applications.
- ④ For special low-magnetic breaker order BAB1015L1 or BAB1020L1.

## QUICKLAG Industrial Ground Fault Circuit Protectors Bolt-on

### Description

**Bolt-on Type**

**Built and Listed to UL 489**

**QUICKLAG Ground Fault Circuit Breakers, Class A GFCI**

**Built and Tested to UL 943**

**5mA Trip Sensitivity**

Type QBGF: 15-50 Amperes,  
10,000 AIC

Type QBHGF: 15-30 Amperes,  
22,000 AIC

**QUICKLAG Ground Fault Equipment Protectors**

**Built and Tested to UL 1053**

**30mA Trip Sensitivity**

Type QBGFEP: 15-50 Amperes,  
10,000 AIC

Type QBHGFEP: 15-30 Amperes,  
22,000 AIC



*QUICKLAG Type QBGF 1-Pole Ground Fault Circuit Breaker*



*QUICKLAG Type QBGF 2-Pole Ground Fault Circuit Breaker*

### Shipping Data

Poles	Carton Quantity	Approximate Weight Lbs. (Kgs)	Dimensions Inches (mm)
1	20	11.000 (4.99)	12.500 (317.50) x 6.500 (165.10) x 5.000 (127.00)
2	5	5.000 (2.29)	15.500 (393.70) x 6.000 (152.40) x 4.500 (114.30)

### Breaker Catalog Numbers

Continuous Ampere Rating at 40°C	Catalog Number	
	1-Pole	2-Pole
	120 Vac	120/240 Vac

**Ground Fault Circuit Breakers – 5mA Sensitivity**

**QUICKLAG Type: QBGF 10,000 Ampere I.C. Thermal-Magnetic Breakers**

15	QBGF1015	QBGF2015
20	QBGF1020	QBGF2020
25	QBGF1025	QBGF2025
30	QBGF1030	QBGF2030
40	QBGF1040	QBGF2040
50	–	QBGF2050

**QUICKLAG Type: QBHGF 22,000 Ampere I.C. Thermal-Magnetic Breakers**

15	QBHGF1015	QBHGF2015
20	QBHGF1020	QBHGF2020
25	QBHGF1025	QBHGF2025
30	QBHGF1030	QBHGF2030

**Ground Fault Equipment Protectors – 30mA Sensitivity**

**QUICKLAG Type: QBGFEP 10,000 Ampere I.C. Thermal-Magnetic Breakers**

15	QBGFEP1015	QBGFEP2015
20	QBGFEP1020	QBGFEP2020
25	QBGFEP1025	QBGFEP2025
30	QBGFEP1030	QBGFEP2030
40	QBGFEP1040	QBGFEP2040
50	–	QBGFEP2050

**QUICKLAG Type: QBHGFEP 22,000 Ampere I.C. Thermal-Magnetic Breakers**

15	QBHGFEP1015	QBHGFEP2015
20	QBHGFEP1020	QBHGFEP2020
25	QBHGFEP1025	QBHGFEP2025
30	QBHGFEP1030	QBHGFEP2030

**Special Application Ground Fault Circuit Protectors – 5mA Sensitivity**

**QUICKLAG Type: QBGF 10,000 Ampere I.C. with Bell Alarm (W1) or Auxiliary Switch (W2)**

15	QBGF1015W1	QBGF2015W1
20	QBGF1020W1	QBGF2020W1
25	QBGF1025W1	QBGF2025W1
30	QBGF1030W1	QBGF2030W1
40	–	QBGF2040W1
50	–	QBGF2050W1
15	QBGF1015W2	–
20	QBGF1020W2	–
25	QBGF1025W2	–
30	QBGF1030W2	–

**Special Application Ground Fault Circuit Protectors – 30mA Sensitivity**

**QUICKLAG Type: QBGFEP 10,000 Ampere I.C. with Bell Alarm (W1) or Auxiliary Switch (W2)**

15	QBGFEP1015W1	QBGFEP2015W1
20	QBGFEP1020W1	QBGFEP2020W1
25	QBGFEP1025W1	QBGFEP2025W1
30	QBGFEP1030W1	QBGFEP2030W1
40	–	QBGFEP2040W1
50	–	QBGFEP2050W1
15	QBGFEP1015W2	–
20	QBGFEP1020W2	–
25	QBGFEP1025W2	–
30	QBGFEP1030W2	–

### Bell Alarm and Auxiliary Contact Schematic



Single-throw double-pole contacts are UL and CSA listed for 5 Amperes at 250 Vac.

Bell Alarm (W1) – contacts change state when breaker trips.

Auxiliary Switch (W2) – contacts change state when breaker is opened (or tripped) or closed.

14-inch long #18 AWG pigtail wire leads provided.

QUICKLAG Industrial Circuit Breakers Cable-in/Cable-out (1 inch per pole)

Description

Built and Listed to UL 489

QUICKLAG Circuit Breakers  
Cable-in/Cable-out Type

Type QC: 10-100 Amperes,  
10,000 AIC

Type QCHW: 15-100 Amperes,  
22,000 AIC

Type QHCX: 15-100 Amperes,  
42,000 AIC

Type QHCW: 15-30 Amperes,  
65,000 AIC



QUICKLAG Type QC 1-Pole



QUICKLAG Type QC 3-Pole



QUICKLAG Type QC 4-Pole

Breaker Catalog Numbers

Continuous Ampere Rating at 40°C	Catalog Number					
	1-Pole <sup>①②</sup>		2-Pole <sup>①②</sup>		3-Pole <sup>①②</sup>	4-Pole <sup>①②</sup>
	120/240 Vac		120/240 Vac	240 Vac	240 Vac	240 Vac

QUICKLAG Type: QC 10,000 Ampere I.C. Thermal-Magnetic Breakers

10	QC1010	QC2010	QC2010H	QC3010H	QC4010H
15	QC1015 <sup>③④</sup>	QC2015	QC2015H	QC3015H	QC4015H
20	QC1020 <sup>③④</sup>	QC2020	QC2020H	QC3020H	QC4020H
25	QC1025	QC2025	QC2025H	QC3025H	QC4025H
30	QC1030	QC2030	QC2030H	QC3030H	QC4030H
35	QC1035	QC2035	QC2035H	QC3035H	QC4035H
40	QC1040	QC2040	QC2040H	QC3040H	QC4040H
45	QC1045	QC2045	QC2045H	QC3045H	QC4045H
50	QC1050	QC2050	QC2050H	QC3050H	QC4050H
55	QC1055	QC2055	QC2055H	QC3055H	QC4055H
60	QC1060	QC2060	QC2060H	QC3060H	QC4060H
70	QC1070	QC2070	QC2070H	QC3070H	QC4070H
80	—	QC2080	QC2080H	QC3080H	QC4080H
90	—	QC2090	QC2090H	QC3090H	QC4090H
100	QC1100	QC2100	QC2100H	QC3100H	QC4100H

QUICKLAG Type: QCHW 22,000 Ampere I.C. Thermal-Magnetic Breakers

15	QCHW1015 <sup>③</sup>	QCHW2015	QCHW2015H	QCHW3015H	QCHW4015H
20	QCHW1020 <sup>③</sup>	QCHW2020	QCHW2020H	QCHW3020H	QCHW4020H
25	QCHW1025	QCHW2025	QCHW2025H	QCHW3025H	QCHW4025H
30	QCHW1030	QCHW2030	QCHW2030H	QCHW3030H	QCHW4030H
35	QCHW1035	QCHW2035	QCHW2035H	QCHW3035H	QCHW4035H
40	QCHW1040	QCHW2040	QCHW2040H	QCHW3040H	QCHW4040H
45	QCHW1045	QCHW2045	QCHW2045H	QCHW3045H	QCHW4045H
50	QCHW1050	QCHW2050	QCHW2050H	QCHW3050H	QCHW4050H
55	QCHW1055	QCHW2055	QCHW2055H	QCHW3055H	QCHW4055H
60	QCHW1060	QCHW2060	QCHW2060H	QCHW3060H	QCHW4060H
70	QCHW1070	QCHW2070	QCHW2070H	QCHW3070H	QCHW4070H
80	—	QCHW2080	QCHW2080H	QCHW3080H	QCHW4080H
90	—	QCHW2090	QCHW2090H	QCHW3090H	QCHW4090H
100	—	QCHW2100	QCHW2100H	QCHW3100H	QCHW4100H

QUICKLAG Type: QHCX 42,000 Ampere I.C. Thermal-Magnetic Breakers

15	QHCX1015 <sup>③</sup>	QHCX2015	—	QHCX3015H	—
20	QHCX1020 <sup>③</sup>	QHCX2020	—	QHCX3020H	—
25	QHCX1025	QHCX2025	—	QHCX3025H	—
30	QHCX1030	QHCX2030	—	QHCX3030H	—
35	QHCX1035	QHCX2035	—	QHCX3035H	—
40	QHCX1040	QHCX2040	—	QHCX3040H	—
45	QHCX1045	QHCX2045	—	QHCX3045H	—
50	QHCX1050	QHCX2050	—	QHCX3050H	—
55	QHCX1055	QHCX2055	—	QHCX3055H	—
60	QHCX1060	QHCX2060	—	QHCX3060H	—
70	QHCX1070	QHCX2070	—	QHCX3070H	—
80	—	QHCX2080	—	QHCX3080H	—
90	—	QHCX2090	—	QHCX3090H	—
100	—	QHCX2100	—	QHCX3100H	—

QUICKLAG Type: QHCW 65,000 Ampere I.C. Thermal-Magnetic Breakers

15	QHCW1015 <sup>③</sup>	QHCW2015	—	QHCW3015H	—
20	QHCW1020 <sup>③</sup>	QHCW2020	—	QHCW3020H	—
25	QHCW1025	QHCW2025	—	—	—
30	QHCW1030	QHCW2030	—	—	—

Shipping Data

Poles	Carton Quantity	Approximate Weight Lbs. (Kgs)	Dimensions Inches (mm)
1	24	9.000 (4.09)	12.500 (317.50) x 7.500 (190.50) x 5.000 (127.00)
2	18	9.000 (4.09)	12.500 (317.50) x 7.500 (190.50) x 5.000 (127.00)
3	8	9.000 (4.09)	12.500 (317.50) x 7.500 (190.50) x 5.000 (127.00)

① All products UL and CSA listed.  
 ② All products 10-100A are HACR rated.  
 ③ Switching duty rated for 120 Vac fluorescent light applications only.  
 ④ For special low-magnetic breaker order QC1015L1 or QC1020L1.



## QUICKLAG Industrial Circuit Breakers Cable-in/Cable-out (1/2 inch per pole)

### Description

#### Built and Listed to UL 489

Type QCR and QCF Circuit Breakers are UL listed Circuit Breakers that are suitable for use as branch circuit protectors.

### Applications

QCR and QCF Circuit Breakers are only 1/2-inch wide per pole and are excellent for general purpose industrial applications where space savings is required.

### Product Features and Ratings

- 1/2-inch wide per pole
- Cable-in/Cable-out
- Black cases with black handles
- Three position handle: ON, Tripped (center), OFF
- Thermal-Magnetic Protection
- UL File E7819
- CSA File LR48907
- One, two and three pole
- 10 kAIC at 120/240 Vac, 10-60 Amperes
- 22 kAIC at 120/240 Vac, 15-20 Amperes
- 10 kAIC at 240 Vac, 10-30 Amperes
- 3 kAIC at 62.5 Vdc (1 Pole)
- 3 kAIC at 130 Vdc (2 Poles in Series)
- Normal Operating Environment:  
0-40°C  
5-95% Humidity  
(Non-Condensating)

### Additional Ratings

In addition to the ratings shown for the 1/2-inch wide QCR and QCF, the complete QC breaker line includes:

- 1-4 Poles
- 5-100 Amperes
- 10 through 65 kAIC
- 120/240 and 240 Vac
- 1-inch per pole



1-Pole 2-Pole  
QCR (Rear-Mounted Breakers)



1-Pole 2-Pole  
QCF (Front-Mounted Breakers)



3-Pole  
QCR (Rear-Mounted Breakers)



3-Pole  
QCF (Front-Mounted Breakers)

Type QCR have as a standard feature provisions for 35mm DIN-Rail rear mounting with a spring-loaded rear mounting. Optional clips for individual mounting are available as a separate accessory.

Type QCF have two threaded steel inserts to facilitate front mounting with #6-32 steel screws. The clamp type terminals accessible from the rear of the breaker so that cables can be accessed without removal of the breaker from the front cover.



QCR 1-Pole Breaker with QCRMTGFT Clips (Qty. 2) Individually Mounted



QCF Breaker Front Panel Mounted

QUICKLAG Industrial Circuit Breakers Cable-in/Cable-out (1/2 inch per pole)

Breaker Catalog Numbers<sup>①②③④</sup>

Continuous Ampere Rating at 40°C	QCR Breaker 10 kAIC Interruption Ratings <sup>⑤</sup>				QCF Breaker 10 kAIC Interruption Ratings <sup>⑤</sup>			
	120/240 Vac		240 Vac <sup>⑥</sup>		120/240 Vac		240 Vac <sup>⑥</sup>	
	1-Pole	2-Pole	2-Pole	3-Pole	1-Pole	2-Pole	2-Pole	3-Pole
<b>QCR Breaker 10 kAIC Interruption Ratings<sup>⑤</sup></b>					<b>QCF Breaker 10 kAIC Interruption Ratings<sup>⑤</sup></b>			
10	QCR1010 QCR1010T -	QCR2010 QCR2010T QCR2010P	- - -	- - -	QCF1010 QCF1010T -	QCF2010 QCF2010T -	- - -	- - -
15	QCR1015 <sup>⑦</sup> QCR1015T <sup>⑦</sup> -	QCR2015 QCR2015T QCR2015P	QCR2015H QCR2015HT -	QCR3015H QCR3015HT -	QCF1015 <sup>②</sup> QCF1015T <sup>②</sup> -	QCF2015 QCF2015T -	QCF2015H QCF2015HT -	QCF3015H QCF3015HT -
20	QCR1020 <sup>⑦</sup> QCR1020T <sup>⑦</sup> -	QCR2020 QCR2020T QCR2020P	QCR2020H QCR2020HT -	QCR3020H QCR3020HT -	QCF1020 <sup>②</sup> QCF1020T <sup>②</sup> -	QCF2020 QCF2020T -	QCF2020H QCF2020HT -	QCF3020H QCF3020HT -
25	QCR1025 QCR1025T -	QCR2025 QCR2025T QCR2025P	QCR2025H QCR2025HT -	QCR3025H QCR3025HT -	QCF1025 QCF1025T -	QCF2025 QCF2025T -	QCF2025H QCF2025HT -	QCF3025H QCF3025HT -
30	QCR1030 QCR1030T -	QCR2030 QCR2030T QCR2030P	QCR2030H QCR2030HT -	QCR3030H QCR3030HT -	QCF1030 QCF1030T -	QCF2030 QCF2030T -	QCF2030H QCF2030HT -	QCF3030H QCF3030HT -
35	QCR1035 -	QCR2035 QCR2035P	- -	- -	QCF1035 -	QCF2035 -	- -	- -
40	QCR1040 -	QCR2040 QCR2040P	- -	- -	QCF1040 -	QCF2040 -	- -	- -
45	QCR1045 -	QCR2045 QCR2045P	- -	- -	QCF1045 -	QCF2045 -	- -	- -
50	QCR1050 -	QCR2050 QCR2050P	- -	- -	QCF1050 -	QCF2050 -	- -	- -
55	QCR1055 -	QCR2055 QCR2055P	- -	- -	QCF1055 -	QCF2055 -	- -	- -
60 <sup>⑧</sup>	QCR1060 -	QCR2060 QCR2060P	- -	- -	QCF1060 -	QCF2060 -	- -	- -
<b>QCR Breaker 22 kAIC Interruption Ratings</b>					<b>QCF Breaker 22 kAIC Interruption Ratings</b>			
15	QCRH1015 <sup>⑦</sup> QCRH1015T <sup>⑦</sup>	QCRH2015 QCRH2015T	- -	- -	QCFH1015 <sup>⑦</sup> QCFH1015T <sup>⑦</sup>	QCFH2015 QCFH2015T	- -	- -
20	QCRH1020 <sup>⑦</sup> QCRH1020T <sup>⑦</sup>	QCRH2020 QCRH2020T	- -	- -	QCFH1020 <sup>⑦</sup> QCFH1020T <sup>⑦</sup>	QCFH2020 QCFH2020T	- -	- -

Available QCR and QCF Breaker Accessories

Catalog Number	Description
QCRMTGFT	Steel mounting clip mounts QCR breaker if individual mounting is required. Quantity two required for 1- and 2-pole and four required for 3-pole breakers.
QCRFPL1P	Removable padlock device for single-pole QCR or QCF breaker.
QCRFPLMP	Removable padlock device for multi-pole QCR or QCF breaker.
QCRFLOFF	Padlock bracket assembly for QCR or QCF single or multi-pole breakers (off only).

① Standard breaker terminals are box type lugs.  
 ② Breakers with "T" Catalog Number Suffix are suitable for line and load side ring terminal connection (#10-32 plus/minus terminal screw provided).

③ Breakers with "P" Catalog Number Suffix are suitable for terminating 2 #10 AWG Quick-Connect Type Terminals per phase on breaker load side.  
 ④ Breakers with Shunt Trip Attachment (extra pole required on breaker right-hand side) are available. Contact Cutler-Hammer.  
 ⑤ All ratings 15 to 60 amperes are HACR rated.

⑥ Breakers with "H" Catalog Suffix have 240 Vac construction.  
 ⑦ All 15 and 20 ampere single-pole breakers are SWD (Switching Duty) rated for fluorescent lighting applications.  
 ⑧ 60/75°C Cu/Al wire on all ratings except 60 amperes which requires Cu only conductor.

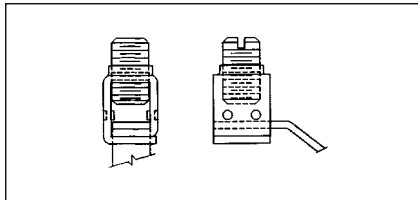


QUICKLAG Industrial Circuit Breakers Cable-in/Cable-out (1/2 inch per pole)

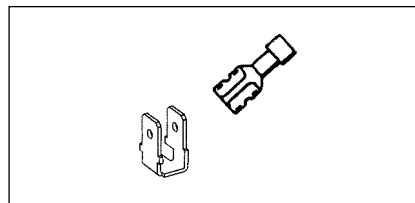
**QCR and QCF Breaker Factory Installed Terminals**



**QCR and QCF Standard Box Terminals**  
Factory installed line and load side breaker terminal to accommodate #14 AWG to #4 AWG wire.

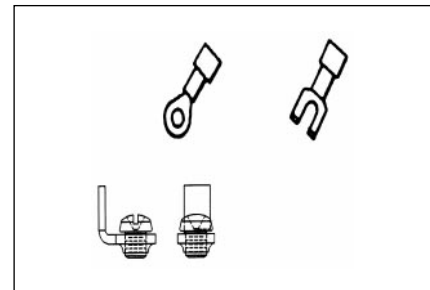


**QCR Quick-Connect Terminals**  
Factory installed two-prong quick-connect terminal on breaker load side suitable for terminating two #10 AWG wire with insulated slip-on terminals as shown. Line side terminal is the standard type.



Catalog Suffix "P"

**QCR and QCF Ring or Spade Lug Terminals**  
(10 to 30 ampere ratings only):  
Factory installed line and load side terminals each equipped with a #10-32 screw suitable for terminating one #10 AWG wire with insulated ring or spade type terminal as shown.



Catalog Suffix "T"

**Description**

**Cable-in/Cable-out Type  
Built and Listed to UL 489**

**QUICKLAG Ground Fault  
Circuit Breakers, Class A GFCI  
Built and Tested to UL 943  
5mA Trip Sensitivity**

Type QCGF: 15-50 Amperes,  
10,000 AIC

Type QCHGF: 15-30 Amperes,  
22,000 AIC

**QUICKLAG Ground Fault  
Equipment Protectors  
Built and Tested to UL 1053  
30mA Trip Sensitivity**

Type QCGFEP: 15-50 Amperes,  
10,000 AIC

Type QCHGFEP: 15-30 Amperes,  
22,000 AIC



*QUICKLAG Type QCGF 1-Pole  
Ground Fault Circuit Breaker*



*QUICKLAG Type QCGF 2-Pole  
Ground Fault Circuit Breaker*

**Breaker Catalog Numbers**

Continuous Ampere Rating at 40°C	Catalog Number	
	1-Pole <sup>①</sup>	2-Pole <sup>①</sup>
	120 Vac	120/240 Vac

**Ground Fault Circuit Breakers – 5mA Sensitivity**  
QUICKLAG Type: QCGF 10,000 Ampere I.C. Thermal-Magnetic Breakers

15	QCGF1015	QCGF2015
20	QCGF1020	QCGF2020
25	QCGF1025	QCGF2025
30	QCGF1030	QCGF2030
40	QCGF1040	QCGF2040
50	–	QCGF2050

QUICKLAG Type: QCHGF 22,000 Ampere I.C. Thermal-Magnetic Breakers

15	QCHGF1015	QCHGF2015
20	QCHGF1020	QCHGF2020
25	QCHGF1025	QCHGF2025
30	QCHGF1030	QCHGF2030

**Ground Fault Equipment Protectors – 30mA Sensitivity**  
QUICKLAG Type: QCGFEP 10,000 Ampere I.C. Thermal-Magnetic Breakers

15	QCGFEP1015	QCGFEP2015
20	QCGFEP1020	QCGFEP2020
25	QCGFEP1025	QCGFEP2025
30	QCGFEP1030	QCGFEP2030
40	QCGFEP1040	QCGFEP2040
50	–	QCGFEP2050

QUICKLAG Type: QCHGFEP 22,000 Ampere I.C. Thermal-Magnetic Breakers

15	QCHGFEP1015	QCHGFEP2015
20	QCHGFEP1020	QCHGFEP2020
25	QCHGFEP1025	QCHGFEP2025
30	QCHGFEP1030	QCHGFEP2030

**Special Application Ground Fault Circuit Protector – 5mA Sensitivity**  
QUICKLAG Type: QCGF 10,000 Ampere I.C. with Bell Alarm (W1) or Auxiliary Switch (W2)

15	QCGF1015W1	QCGF2015W1
20	QCGF1020W1	QCGF2020W1
25	QCGF1025W1	QCGF2025W1
30	QCGF1030W1	QCGF2030W1
40	–	QCGF2040W1
50	–	QCGF2050W1
15	QCGF1015W2	–
20	QCGF1020W2	–
25	QCGF1025W2	–
30	QCGF1030W2	–

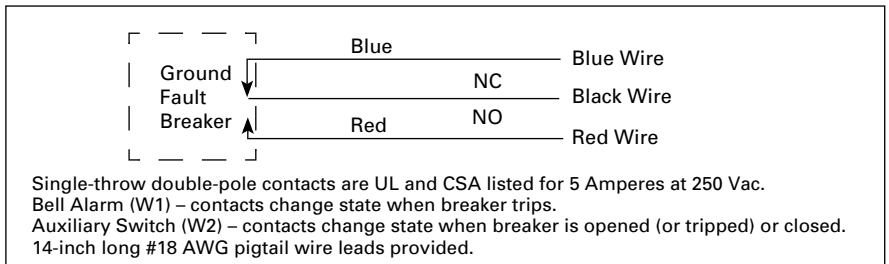
**Special Application Ground Fault Equipment Protectors – 30mA Sensitivity**  
QUICKLAG Type: QCGFEP 10,000 Ampere I.C. with Bell Alarm (W1) or Auxiliary Switch (W2)

15	QCGFEP1015W1	QCGFEP2015W1
20	QCGFEP1020W1	QCGFEP2020W1
25	QCGFEP1025W1	QCGFEP2025W1
30	QCGFEP1030W1	QCGFEP2030W1
40	–	QCGFEP2040W1
50	–	QCGFEP2050W1
15	QCGFEP1015W2	–
20	QCGFEP1020W2	–
25	QCGFEP1025W2	–
30	QCGFEP1030W2	–

**Shipping Data**

Poles	Carton Quantity	Approximate Weight Lbs. (Kgs)	Dimensions Inches (mm)
1	20	11.000 (4.99)	12.500 (317.50) x 6.500 (165.10) x 5.000 (127.00)
2	5	5.000 (2.29)	15.500 (393.70) x 6.000 (152.40) x 4.500 (114.30)

**Bell Alarm and Auxiliary Contact Schematic**



① All products UL and CSA listed.

## Types GHBS and GBHS Solenoid-Operated, Remote-Controlled

### Description

GHBS and GBHS circuit breakers are bolt-on branch circuit breakers designed for use in panelboards and are ideally suited for lighting control applications. In addition to providing conventional branch circuit protection, they include a unique solenoid-operated mechanism that provides for efficient breaker pulse-on and pulse-off operation when used with a suitable controller like the Cutler-Hammer Pow-R-Command lighting control system.

### Product Features

- Bolt-on Line-Side Terminal
- Cable Connected Load-Side Terminal
- 3-Prong Control Terminal (Common, Solenoid, Auxiliary Switch)
- Bi-Metal Assembly for Thermal Overload Protection
- Fast Acting Short Circuit Protection
- Arc-Runner and Arc-Chute Assembly for Fast Acting Arc Extinction
- Three Position Handle: OFF, TRIP (Center), ON
- Handle in "ON" Position Enables Remote Control
- Handle in "OFF" Position Disables Remote Control
- Handle Permits Manual Switching When Control Power is Lost
- Mechanical Trip Indicator Window (Red-ON, Green-OFF/TRIPPED)
- 15 and 20 Ampere Breakers SWD (Switching Duty) Rated
- HID Ratings for HID (High Intensity Discharge) Lighting
- Auxiliary Switch for Control Circuit Feedback



1-Pole



2-Pole

### GHBS UL 489 Interrupting Ratings

Circuit Breaker Type <sup>①</sup>	Number of Poles	Interrupting Capacity (Symmetrical Amperes)	Rating Amperes <sup>②</sup>		
			Volts Ac (50/60 Hz)		
			120	240	277/480
GHBS1015D	1	15	65,000	—	14,000
GHBS1020D	1	20	65,000	—	14,000
GHBS1030D	1	30	65,000	—	14,000
GHBS2015D	2	15	—	65,000	14,000
GHBS2020D	2	20	—	65,000	14,000
GHBS2030D	2	30	—	65,000	14,000

Instruction Leaflet/FRED Number 15546

### GBHS CSA 22.2 Interrupting Ratings

Circuit Breaker Type	Number of Poles	Interrupting Capacity (Symmetrical Amperes)	Rating Amperes <sup>②</sup>	
			Volts Ac (50/60 Hz)	
			347/600	
GBHS1015D	1	15	10,000	
GBHS1020D	1	20	10,000	
GBHS2015D	2	15	10,000	
GBHS2020D	2	20	10,000	



15-20 Amperes



30 Amperes

### Terminal Type

For load-side. Terminals are UL listed as suitable for wire type and size given below.

Circuit Breaker Amperes	Terminal Type	Screw Head Type	Wire Type	AWG Wire Range
15-20	Clamp	Slotted	Cu/Al	#14-#10
30	Box	Slotted	Cu/Al	#14-#2

### Dimensions Per Pole, Inches (mm)

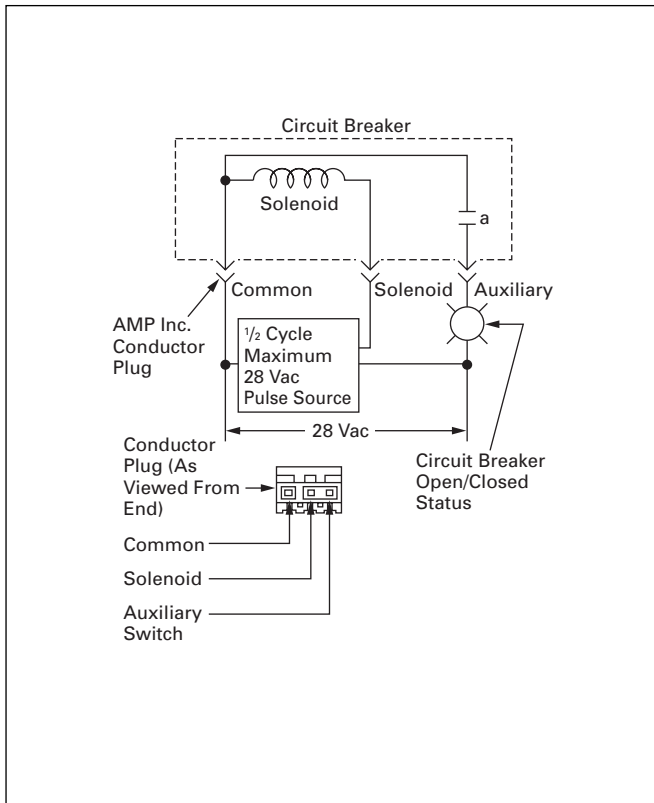
Width	Height	Depth
1.000 (25.40)	4.125 (104.78)	2.810 (71.37)

Dimensions in parentheses in millimeters.

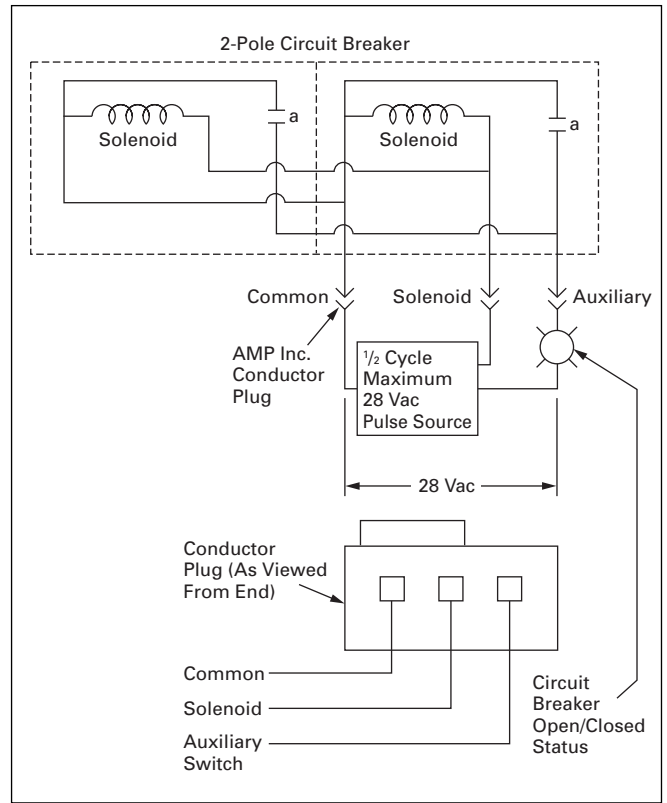
① All UL listed circuit breakers are HID (High Intensity Discharge) rated.

② Continuous current rating at 40°C.

Wiring Diagrams



Typical Single-Pole Circuit Breaker Schematic Diagram and Conductor Plug Wiring Connections



Circuit Breaker Schematic Diagram and Conductor Plug Wiring Connections for 2-Pole

Remote Control Operation

The remote-control capability of the breaker is "armed" when the breaker handle is manually switched to the "ON" position. Once armed, the breaker can be pulsed "ON" and "OFF" by a controller device which provides an ac pulse of specified magnitude and duration to the solenoid operated mechanism. Control connections to the breaker are provided through a male conductor plug (supplied by others) which

snaps into the female connector provided with the breaker. A normally open (a) auxiliary contact provides for breaker "ON"/"OFF" status indication to the remote controller and/or indicating lamp. The remote-control capability of the breaker is "disarmed" when the breaker handle is in the "OFF" or "TRIPPED" position. In the event the breaker automatically trips, the breaker must be reset manually.

Breaker Solenoid and Operating Data

- Ambient Temperature: 0-40° C
- Nominal Pulse Magnitude: 28 volts ac RMS
- Tolerance: +10% to -15% of Nominal Voltage
- Pulse Duration: 1/2 cycle (8-10 ms)
- Minimum Recommended Pulse Current at Nominal Voltage:
  - 1-Pole: 4.9 Amperes Peak, 3.5 Amperes RMS
  - 2-Pole: 7.84 Amperes Peak, 5.6 Amperes RMS
- Breaker Operating Time: 20-40 ms
- Maximum Breaker Cycling: 6 Operations per Minute
- Humidity: 0-95% non-Condensing

QUICKLAG International Rated Industrial Circuit Breakers Plug-on, Bolt-on and Cable-in/Cable-out

**Description**

**QUICKLAG International  
Circuit Breakers**

Plug-on Type HQP: 10-100 Amperes  
Bolt-on Type BA: 10-100 Amperes  
Cable-in/Cable-out Type QC:  
10-100 Amperes

Built and Test Certified to BS3871,  
Pt. 1 50/60 Hz, 40°C

**Interrupting Ratings**

	Suffix E	Suffix HE
NEMA 120/240 Vac	10,000 AIC	10,000 AIC
BS3871 220/380, 240/415 Vac	3,000 AIC	6,000 AIC

**QUICKLAG International Ground  
Fault Circuit Breakers**

Plug-on Type GFXB: 10-40 Amperes  
Bolt-on Type GFXBB: 10-40 Amperes  
Cable-in/Cable-out Type GFXBC:  
10-40 Amperes

Built and Test Certified to  
BS3871, Pt. 1  
BS3871, Section 31-C  
BS4293

50/60 Hz, 40°C  
30 mA Sensitivity

**Interrupting Rating**

BS3871 220/380, 240/415 Vac	3,000 AIC
--------------------------------	-----------

**Shipping Data**

Miniature Circuit Breaker	No. of Poles	Std. Carton Qty.	Approx. Carton Weight Lbs. (Kgs)	Approx. Standard Carton Dimensions Inches (mm)
QUICKLAG Types B, P, C – All	1	24	9.000 (4.09)	12.500 (317.50) x 6.500 (165.10) x 5.000 (127.00)
QUICKLAG Types B, P, C – All	2	12	9.000 (4.09)	12.500 (317.50) x 7.500 (190.50) x 5.000 (127.00)
QUICKLAG Types B, P, C – All	3	8	9.000 (4.09)	12.500 (317.50) x 7.500 (190.50) x 5.000 (127.00)

**QUICKLAG Ground Fault**

Type P – All	1	20	11.000 (4.99)	12.500 (317.50) x 6.500 (165.10) x 5.000 (127.00)
Types B and C – All	1	20	11.000 (4.99)	12.500 (317.50) x 7.000 (177.80) x 5.500 (139.70)
Types P and B – All	2	5	5.000 (2.27)	12.500 (317.50) 6.000 (152.40) 4.500 (114.30)

**Breaker Catalog Numbers**

Continuous Ampere Rating at 40°C	Catalog Number			
	1-Pole	2-Pole	3-Pole	Ground Fault 1-Pole 30 mA Sensitivity
	240/415 Vac	240/415 Vac	240/415 Vac	240/415 Vac

**3,000 Amperes I.C. (M3) Plug-on Thermal-Magnetic Circuit Breakers**

10	HQP1010E	HQP2010E	HQP3010E	GFXB110B2
15	HQP1015E	HQP2015E	HQP3015E	GFXB115B2
16	–	–	–	GFXB116B2
20	HQP1020E	HQP2020E	HQP3020E	GFXB120B2
25	HQP1025E	HQP2025E	HQP3025E	GFXB125B2
30	HQP1030E	HQP2030E	HQP3030E	GFXB130B2
32	–	–	–	GFXB132B2
40	HQP1040E	HQP2040E	HQP3040E	GFXB140B2
50	HQP1050E	HQP2050E	HQP3050E	–
60	HQP1060E	HQP2060E	HQP3060E	–
70	HQP1070E	HQP2070E	HQP3070E	–
90	–	HQP2090E	HQP3090E	–
100	–	HQP2100E	HQP3100E	–

**6,000 Ampere I.C. (M6) Plug-on Thermal-Magnetic Circuit Breakers**

15	HQP1015HE	HQP2015HE	HQP3015HE	–
20	HQP1020HE	HQP2020HE	HQP3020HE	–
25	HQP1025HE	HQP2025HE	HQP3025HE	–
30	HQP1030HE	HQP2030HE	HQP3030HE	–
40	HQP1040HE	HQP2040HE	HQP3040HE	–
50	HQP1050HE	HQP2050HE	HQP3050HE	–
60	HQP1060HE	HQP2060HE	HQP3060HE	–
70	HQP1070HE	HQP2070HE	HQP3070HE	–
90	–	HQP2090HE	HQP3090HE	–
100	–	HQP2100HE	HQP3100HE	–

**3,000 Ampere I.C. (M3) Bolt-on Thermal-Magnetic Circuit Breakers**

10	BAB1010E	BAB2010E	BAB3010E	GFXBB110B2
15	BAB1015E	BAB2015E	BAB3015E	GFXBB115B2
16	–	–	–	GFXBB116B2
20	BAB1020E	BAB2020E	BAB3020E	GFXBB120B2
25	BAB1025E	BAB2025E	BAB3025E	GFXBB125B2
30	BAB1030E	BAB2030E	BAB3030E	GFXBB130B2
32	–	–	–	GFXBB132B2
40	BAB1040E	BAB2040E	BAB3040E	GFXBB140B2
50	BAB1050E	BAB2050E	BAB3050E	–
60	BAB1060E	BAB2060E	BAB3060E	–
70	BAB1070E	BAB2070E	BAB3070E	–
90	–	BAB2090E	BAB3090E	–
100	–	BAB2100E	BAB3100E	–

**6,000 Ampere I.C. (M6) Bolt-on Thermal-Magnetic Circuit Breakers**

15	BAB1015HE	BAB2015HE	BAB3015HE	–
20	BAB1020HE	BAB2020HE	BAB3020HE	–
25	BAB1025HE	BAB2025HE	BAB3025HE	–
30	BAB1030HE	BAB2030HE	BAB3030HE	–
40	BAB1040HE	BAB2040HE	BAB3040HE	–
50	BAB1050HE	BAB2050HE	BAB3050HE	–
60	BAB1060HE	BAB2060HE	BAB3060HE	–
70	BAB1070HE	BAB2070HE	BAB3070HE	–
90	–	BAB2090HE	BAB3090HE	–
100	–	BAB2100HE	BAB3100HE	–

**3,000 Ampere I.C. (M3) Cable-in/Cable-out Thermal-Magnetic Circuit Breakers**

10	QC1010E	QC2010E	QC3010E	GFXBC110B2
15	QC1015E	QC2015E	QC3015E	GFXBC115B2
16	–	–	–	GFXBC116B2
20	QC1020E	QC2020E	QC3020E	GFXBC120B2
25	QC1025E	QC2025E	QC3025E	GFXBC125B2
30	QC1030E	QC2030E	QC3030E	GFXBC130B2
32	–	–	–	GFXBC132B2
40	QC1040E	QC2040E	QC3040E	GFXBC140B2
50	QC1050E	QC2050E	QC3050E	–
60	QC1060E	QC2060E	QC3060E	–
70	QC1070E	QC2070E	QC3070E	–
90	–	QC2090E	QC3090E	–
100	–	QC2100E	QC3100E	–

**6,000 Ampere I.C. (M6) Cable-in/Cable-out Thermal-Magnetic Circuit Breakers**

15	QC1015HE	QC2015HE	QC3015HE	–
20	QC1020HE	QC2020HE	QC3020HE	–
25	QC1025HE	QC2025HE	QC3025HE	–
30	QC1030HE	QC2030HE	QC3030HE	–
40	QC1040HE	QC2040HE	QC3040HE	–
50	QC1050HE	QC2050HE	QC3050HE	–
60	QC1060HE	QC2060HE	QC3060HE	–
70	QC1070HE	QC2070HE	QC3070HE	–
90	–	QC2090HE	QC3090HE	–
100	–	QC2100HE	QC3100HE	–

**Description**

**QUICKLAG Switching Neutral Circuit Breakers**

Plug-on Type HQP: 10-30 Amperes, 1 and 2 Poles, 10,000 AIC  
 Bolt-on Type BA: 10-30 Amperes, 1 and 2 Poles, 10,000 AIC  
 Cable-in Type QC: 10-30 Amperes, 1 and 2 Poles, 10,000 AIC

Switching Neutral QUICKLAG Breakers available in one- and two-pole configurations, plus neutral pole for applications in accordance with NEC 514-5, 240-22, and 380-2. A one-pole device takes two pole spaces, and a two-pole device takes three pole spaces.



QUICKLAG Type P Switching Neutral

**QUICKLAG HID (High Intensity Discharge) Breakers**

Plug-on Type HQP: 15-60 Amperes, 1 and 2 Poles, 10,000 AIC  
 Bolt-on Type BA: 15-60 Amperes, 1 and 2 Poles, 10,000 AIC  
 Cable-in Type QC: 15-60 Amperes, 1 and 2 Poles, 10,000 AIC

Breakers designed specifically for use with high intensity discharge (HID) lighting applications. (UL listed as standard lighting breakers.)

**Molded Case Switches Non-Automatic QUICKLAG Molded Case Switch**

Plug-on Type HQP: 50, 60, 100 Amperes, 1, 2 and 3 Poles  
 Bolt-on Type BA: 50, 60, 100 Amperes, 1, 2 and 3 Poles  
 Cable-in Type QC: 50, 60, 100 Amperes, 1, 2 and 3 Poles

**Breaker Catalog Numbers**

Continuous Ampere Rating 40°C	Catalog Number			
	1-Pole①	2-Pole①		3-Pole①
	120/240 Vac	120/240 Vac	240 Vac	240 Vac

**QUICKLAG Type: HQP Switching Neutral Thermal-Magnetic Breakers**

10	HQP2010B	HQP3010B	-	-
15	HQP2015B	HQP3015B	-	-
20	HQP2020B	HQP3020B	-	-
25	HQP2025B	HQP3025B	-	-
30	HQP2030B	HQP3030B	-	-

**QUICKLAG Type: BA Switching Neutral Thermal-Magnetic Breakers**

10	BAB2010C	BAB3010C	-	-
15	BAB2015C	BAB3015C	-	-
20	BAB2020C	BAB3020C	-	-
25	BAB2025C	BAB3025C	-	-
30	BAB2030C	BAB3030C	-	-

**QUICKLAG Type: QC Switching Neutral Thermal-Magnetic Breakers**

10	QC2010B	QC3010B	-	-
15	QC2015B	QC3015B	-	-
20	QC2020B	QC3020B	-	-
25	QC2025B	QC3025B	-	-
30	QC2030B	QC3030B	-	-

**QUICKLAG Type: HQP HID (High Intensity Discharge) Thermal-Magnetic Breakers**

15	HQP1015D	HQP2015D	-	-
20	HQP1020D	HQP2020D	-	-
25	HQP1025D	HQP2025D	-	-
30	HQP1030D	HQP2030D	-	-
35	HQP1035D	HQP2035D	-	-
40	HQP1040D	HQP2040D	-	-
50	HQP1050D	HQP2050D	-	-
60	HQP1060D	HQP2060D	-	-

**QUICKLAG Type: BA HID (High Intensity Discharge) Thermal-Magnetic Breakers**

15	BAB1015D	BAB2015D	-	-
20	BAB1020D	BAB2020D	-	-
25	BAB1025D	BAB2025D	-	-
30	BAB1030D	BAB2030D	-	-
35	BAB1035D	BAB2035D	-	-
40	BAB1040D	BAB2040D	-	-
50	BAB1050D	BAB2050D	-	-
60	BAB1060D	BAB2060D	-	-

**QUICKLAG Type: QC HID (High Intensity Discharge) Thermal-Magnetic Breakers**

15	QC1015D	QC2015D	-	-
20	QC1020D	QC2020D	-	-
25	QC1025D	QC2025D	-	-
30	QC1030D	QC2030D	-	-
35	QC1035D	QC2035D	-	-
40	QC1040D	QC2040D	-	-
50	QC1050D	QC2050D	-	-
60	QC1060D	QC2060D	-	-

**QUICKLAG Type: HQP Non-Auto Molded Case Switches**

50	HQP1050N	-	HQP2050N	HQP3050N
60	HQP1060N	-	HQP2060N	HQP3060N
100	HQP1100N	-	HQP2100N	HQP3100N

**QUICKLAG Type: BA Non-Auto Molded Case Switches**

50	BAB1050N	-	BAB2050N	BAB3050N
60	BAB1060N	-	BAB2060N	BAB3060N
100	BAB1100N	-	BAB2100N	BAB3100N

**QUICKLAG Type: QC Non-Auto Molded Case Switches**

50	QC1050N	-	QC2050N	QC3050N
60	QC1060N	-	QC2060N	QC3060N
100	QC1100N	-	QC2100N	QC3100N

**Shipping Data**

Miniature Circuit Breaker	No. of Poles	Standard Carton Quantity	Approximate Carton Weight Lbs. (Kgs)	Approximate Standard Carton Dimensions Inches (mm)
QUICKLAG Types B, P, C – All	1	24	9.000 (4.09)	12.500 (317.50) x 7.500 (190.50) x 5.000 (127.00)
QUICKLAG Types B, P, C – All	2	12	9.000 (4.09)	12.500 (317.50) x 7.500 (190.50) x 5.000 (127.00)
QUICKLAG Types B, P, C – All	3	8	9.000 (4.09)	12.500 (317.50) x 7.500 (190.50) x 5.000 (127.00)
QUICKLAG Ground Fault Type P – All	1	20	11.000 (4.99)	12.500 (317.50) x 6.500 (165.10) x 5.000 (127.00)
Types B and C – All	1	20	11.000 (4.99)	12.500 (317.50) x 7.000 (177.80) x 5.500 (139.70)
Types P and B – All	2	5	5.000 (2.27)	12.500 (317.50) x 6.000 (152.40) x 4.500 (114.30)

① All products UL and CSA listed.



**QUICKLAG Industrial Circuit Breakers Accessories**

Accessory Type <sup>①</sup>	Catalog Number	Description	Order in Multiples of
Handle Locks: Non-padlockable	<b>QL1NPL</b>	QUICKLAG Type P, B, C – 1 Pole	10
	<b>QL23NPL</b>	QUICKLAG Type P, B, C – 2, 3 Poles	10
Handle Locks: Padlockable	<b>QL1PL</b>	QUICKLAG Type P, B, C – 1 Pole	10
	<b>QLPB123PL</b>	QUICKLAG Type P, B – 1, 2, 3 Poles	10
	<b>QC123PL</b>	QUICKLAG Type C – 1, 2, 3 Poles	10
	<b>QLGF12PL</b>	Ground Fault Padlock Device Type P, B – 1, 2 Poles	10
Handle Tie	<b>QL1HT</b>	QUICKLAG Handle Tie - 1 Pole	100
Mounting Hardware	<b>QCFLIP</b>	QUICKLAG Type C Face Mounting Clip	24
	<b>QC1FP</b>	QUICKLAG Type C Face Mounting Plate – 1 Pole	10
	<b>QC2FP</b>	QUICKLAG Type C Face Mounting Plate – 2 Poles	10
	<b>QC3FP</b>	QUICKLAG Type C Face Mounting Plate – 3 Poles	10
	<b>QC1FPLOFF</b>	QUICKLAG Type C Face Mounting Plate and Lock-off (Off Only) – 1 Pole	10
	<b>QC2FPLOFF</b>	QUICKLAG Type C Face Mounting Plate and Lock-off (Off Only) – 2 Pole	10
	<b>QC3FPLOFF</b>	QUICKLAG Type C Face Mounting Plate and Lock-off (Off Only) – 3 Pole	10
	<b>QCBCLIP</b>	QUICKLAG Type C Base Mounting Clamp	100
	<b>QC6BP</b>	QUICKLAG Base Mounting Plate – 6 Poles Total	10
	<b>QC4CONB</b>	QUICKLAG Type C Single Point Connector	10
	<b>QCDINADAPT</b>	QUICKLAG Type C DIN Rail Adapter	6
Dummy Breakers	<b>HQP1000</b>	QUICKLAG Type P	1
	<b>BAB1000</b>	QUICKLAG Type B	1
	<b>QC1000</b>	QUICKLAG Type C	1
	<b>QC30SAMPLE</b>	QUICKLAG Type C Clear Choice Breaker	4



**QL1NPL**



**QL23NPL**



**QL1PL**



**QLPB123PL**



**QC123PL**



**QL1HT**



**QCFLIP**



**QC1FP**



**QC2FP**



**QC3FP**



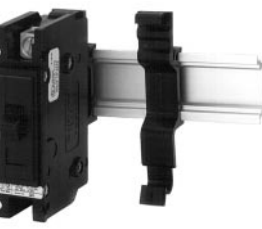
**QCBCLIP**



**QC6BP**



**QC4CONB**



**QCDINADAPT**

① See pages 7 and 8 for QCR and QCF accessories.

QUICKLAG Industrial Circuit Breakers Modifications/Terminals

Factory Modifications<sup>①</sup>

Type of Modification	Breaker Types	Catalog Suffix
Shunt Trip (Requires 1 extra pole space on right side) 120, 208, 240 Vac 12, 24, 48 Vac/dc Draws 2.6A at 120V Draws 11A at 24Vdc	QUICKLAG Types P, B and C QUICKLAG Types P, B and C	S S1
Special Calibration (50°C)	QUICKLAG Types P, B and C	V
Shock Testing	QUICKLAG Types P, B and C	L
Freeze Testing	QUICKLAG Types P, B and C	Y
Moisture-Fungus Treatment	QUICKLAG Types P, B, C and Ground Fault	F

Factory Installed Breaker Terminals

Breaker Type	Continuous Ampere Rating	Standard Line Terminal			Standard Load Terminal			Optional Terminals (20% List Price Adder)	
		Term Type	Wire Type	Wire Range	Term Type	Wire Type	Wire Range	Line	Load
QUICKLAG Type P HQP, QPHW, QHPX, QHPW	10 to 30 35 to 50 55 to 125	Plug-on female clips which mate with the bus stabs			A B C	Cu/Al Cu/Al Cu/Al	#14-#4 #14-#4 #8-1/0	N/A	C C -
QUICKLAG Ground Fault QPGF, QPHGF, QPGFEP, QPHGFEP	10 to 30 40	Plug-on female clips which mate with the bus stabs			A - 1-pole D - 2-pole D	Cu/Al Cu/Al Cu	#14-#4 #14-#8 #14-#8	N/A	C C -
QUICKLAG Type B BAB, QBHW, HBAX, HBAW	10 to 30 35 to 50 55 to 125	Extended tangs which bolt directly to the bus			A - 1- and 2- pole B - 3-pole C	Cu/Al Cu/Al Cu/Al	#14-#4 #14-#4 #8-1/0	N/A	C C -
QUICKLAG Ground Fault QBGF, QBHGF, QBGFEP, QBHGFEP	10 to 30 40	Extended tangs which bolt directly to the bus			A - 1-pole D - 2-pole D	Cu/Al Cu/Al Cu	#14-#4 #14-#8 #14-#8	N/A	N/A
QUICKLAG Type C QC, QCHW, QHXC, QHCW	10 to 20 25 to 60 70 to 100	E F G	Cu/Al Cu/Al Cu/Al	#14-#10	E B C	Cu/Al Cu/Al Cu/Al	#14-#10 #14-#4 #8-1/0	F, G E, G E	F, G, H E, F, G, H E, G, H
QUICKLAG QCR, QCF	10-55 60	A A	Cu/Al Cu	-#14 -#4	A A	Cu/Al Cu	#14 -#4	N/A	N/A
QUICKLAG Ground Fault QCGF, QCHGF, QCGFEP, QCHGFEP	10 to 20 25 to 50	E F	Cu/Al Cu/Al	#14-#10	A A	Cu/Al Cu/Al	#14-#4 #14-#4	F, G E, G	N/A
<div style="display: flex; flex-wrap: wrap;"> <div style="width: 25%; text-align: center;"> <p><b>A</b></p> </div> <div style="width: 25%; text-align: center;"> <p><b>B</b></p> </div> <div style="width: 25%; text-align: center;"> <p><b>C</b></p> </div> <div style="width: 25%; text-align: center;"> <p><b>D</b></p> </div> <div style="width: 25%; text-align: center;"> <p><b>E</b></p> </div> <div style="width: 25%; text-align: center;"> <p><b>F</b></p> </div> <div style="width: 25%; text-align: center;"> <p><b>G</b></p> </div> <div style="width: 25%; text-align: center;"> <p><b>H</b></p> <p>Catalog Suffix "P"</p> </div> </div>									

Spare Terminal Hardware Screws (Lugs not Included)

Catalog Number	Order in Multiples of	Terminal Type	Description
QLD TSA	10	A	QUICKLAG Terminal Screw
QLD TSB	10	B	QUICKLAG Terminal Screw
QLD TSC	10	C	QUICKLAG Terminal Screw
QLB TSE	10	E	QUICKLAG Binding Head Terminal Screw and Clamp
QLLNTSFG	10	F and G	QUICKLAG Terminal Screw

① Contact Cutler-Hammer for factory modifications available for QCR and QCF breakers.



## Supplementary Protectors Current Limiting Type Cable-in/Cable-out DIN Rail



### Description

#### UL 1077 Supplementary Protectors

Type SPCL Supplementary Protectors are IEC circuit breakers that are recognized by UL under UL 1077. They are intended for use as over-current protection within an appliance or electrical equipment where branch circuit protection (for example a UL listed Molded Case Circuit Breaker) has already been provided or is not required.

#### Equipment and Control Circuit Protection

These protectors are ideal for replacing fuses in control circuits. Applications include protecting motor control circuits, small control circuit transformers, relays, contactor coils, power supplies, PLC I/O points, appliances, and electronic equipment.

### Product Features

The Type SPCL Supplementary Protectors are provided in light gray cases with charcoal gray handles.

**DIN-Rail Mounting:** A quick snap-on clip design allows easy installation on 35mm DIN Rail.

**Current-Limiting Design:** Fast short circuit interruption reduces let-through energy, reducing damage to the circuit.

#### Thermal-Magnetic Overcurrent

**Protection:** Types B and C overcurrent curves provide maximum reliability and accuracy. Type B protection is normally used for low inrush applications. Type C protection is used for general purpose industrial applications that require higher inrush tolerance.

**Center Trip Position:** The breaker handle has a unique center trip "Reset" position that indicates an overcurrent trip. "Off" (O) and "On" (I) handle positions are visually indicated by red and green flags.

### SPCL Specifications

Standards and Approvals	Number of Poles	Electrical Ratings			
		Continuous Current (Amperes)	Vac 50/60 Hz	Vdc	Ampere Interrupting Capacity
<ul style="list-style-type: none"> <li> UL 1077 File No. E162396</li> <li> CSA 22.2 File No. LR105580-1</li> </ul>	1	0.5-63	120	12-65	10 kA
	2	0.5-63	240	12-130 <sup>①</sup>	10 kA
	3-4	0.5-63	240		10 kA
	1	0.5-63	277		6 kA
<ul style="list-style-type: none"> <li> EN60898</li> <li> VDE0660</li> </ul>	2-4	0.5-63	480		5 kA
	1-4	0.5-63	240/415		10 kA
Overcurrent Curves	Overcurrent Curve Type B (3-5X) and Type C (5-10X) per VDE 0641, Part 11.				
Degree of Protection	IP20.				
Connecting Terminals	Suitable for Single-Core, Standard, and Flexible Conductors from #14 to #6 AWG (Cu). Recommended Torque is 27 Inch-Pounds.				

### SPCL Supplementary Protector Catalog Numbers

Continuous Ampere Rating	Catalog Number			
	1-Pole	2-Pole	3-Pole	4-Pole

#### C Curve

Continuous Ampere Rating	1-Pole	2-Pole	3-Pole	4-Pole
0.5	SPCL1C00 <sup>②</sup>	SPCL2C00 <sup>②</sup>	SPCL3C00 <sup>②</sup>	SPCL4C00 <sup>②</sup>
1	SPCL1C01 <sup>②</sup>	SPCL2C01 <sup>②</sup>	SPCL3C01 <sup>②</sup>	SPCL4C01 <sup>②</sup>
2	SPCL1C02 <sup>②</sup>	SPCL2C02 <sup>②</sup>	SPCL3C02 <sup>②</sup>	SPCL4C02 <sup>②</sup>
3	SPCL1C03 <sup>②</sup>	SPCL2C03 <sup>②</sup>	—	—
4	SPCL1C04 <sup>②</sup>	SPCL2C04 <sup>②</sup>	SPCL3C04 <sup>②</sup>	SPCL4C04 <sup>②</sup>
5	SPCL1C05 <sup>②</sup>	SPCL2C05 <sup>②</sup>	—	—
6	SPCL1C06 <sup>②</sup>	SPCL2C06 <sup>②</sup>	SPCL3C06 <sup>②</sup>	SPCL4C06 <sup>②</sup>
7	SPCL1C07 <sup>②</sup>	SPCL2C07 <sup>②</sup>	—	—
8	SPCL1C08 <sup>②</sup>	SPCL2C08 <sup>②</sup>	—	—
10	SPCL1C10 <sup>②</sup>	SPCL2C10 <sup>②</sup>	SPCL3C10 <sup>②</sup>	SPCL4C10 <sup>②</sup>
13	SPCL1C13 <sup>②</sup>	—	—	—
16	SPCL1C16 <sup>②</sup>	SPCL2C16 <sup>②</sup>	SPCL3C16 <sup>②</sup>	SPCL4C16 <sup>②</sup>
20	SPCL1C20 <sup>②</sup>	SPCL2C20 <sup>②</sup>	SPCL3C20 <sup>②</sup>	SPCL4C20 <sup>②</sup>
25	SPCL1C25 <sup>②</sup>	SPCL2C25 <sup>②</sup>	SPCL3C25 <sup>②</sup>	SPCL4C25 <sup>②</sup>
32	SPCL1C32 <sup>②</sup>	SPCL2C32 <sup>②</sup>	SPCL3C32 <sup>②</sup>	SPCL4C32 <sup>②</sup>
40	SPCL1C40 <sup>②</sup>	SPCL2C40 <sup>②</sup>	SPCL3C40 <sup>②</sup>	SPCL4C40 <sup>②</sup>
50	SPCL1C50 <sup>②</sup>	SPCL2C50 <sup>②</sup>	SPCL3C50 <sup>②</sup>	SPCL4C50 <sup>②</sup>
63	SPCL1C63 <sup>②</sup>	SPCL2C63 <sup>②</sup>	SPCL3C63 <sup>②</sup>	SPCL4C63 <sup>②</sup>

#### B Curve

Continuous Ampere Rating	1-Pole	2-Pole	3-Pole	4-Pole
6	SPCL1B06 <sup>②</sup>	SPCL2B06 <sup>②</sup>	SPCL3B06 <sup>②</sup>	SPCL4B06 <sup>②</sup>
10	SPCL1B10 <sup>②</sup>	SPCL2B10 <sup>②</sup>	SPCL3B10 <sup>②</sup>	SPCL4B10 <sup>②</sup>
13	SPCL1B13 <sup>②</sup>	—	—	—
16	SPCL1B16 <sup>②</sup>	SPCL2B16 <sup>②</sup>	SPCL3B16 <sup>②</sup>	SPCL4B16 <sup>②</sup>
20	SPCL1B20 <sup>②</sup>	SPCL2B20 <sup>②</sup>	SPCL3B20 <sup>②</sup>	SPCL4B20 <sup>②</sup>
25	SPCL1B25 <sup>②</sup>	SPCL2B25 <sup>②</sup>	SPCL3B25 <sup>②</sup>	SPCL4B25 <sup>②</sup>
32	SPCL1B32 <sup>②</sup>	SPCL2B32 <sup>②</sup>	SPCL3B32 <sup>②</sup>	SPCL4B32 <sup>②</sup>
40	SPCL1B40 <sup>②</sup>	SPCL2B40 <sup>②</sup>	SPCL3B40 <sup>②</sup>	SPCL4B40 <sup>②</sup>
50	SPCL1B50 <sup>②</sup>	SPCL2B50 <sup>②</sup>	SPCL3B50 <sup>②</sup>	SPCL4B50 <sup>②</sup>
63	SPCL1B63 <sup>②</sup>	SPCL2B63 <sup>②</sup>	SPCL3B63 <sup>②</sup>	SPCL4B63 <sup>②</sup>

### Shipping Data

	Packed in Cartons of:	Carton Dimensions Inches (mm)	Approximate Weight Lbs. (Kgs)
1-Pole Units	12	9.000 (228.60) x 4.000 (101.60) x 4.000 (101.60)	10.000 (4.54)
2-Pole Units	6	9.000 (228.60) x 4.000 (101.60) x 4.000 (101.60)	10.000 (4.54)
3-Pole Units	4	9.000 (228.60) x 4.000 (101.60) x 4.000 (101.60)	10.000 (4.54)
4-Pole Units	3	9.000 (228.60) x 4.000 (101.60) x 4.000 (101.60)	10.000 (4.54)

① 130 Vdc rating based on 2 poles connected in series.

② Normally stocked.

③ Special order, contact Cutler-Hammer. Minimum quantities apply.

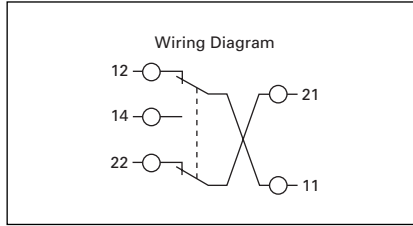
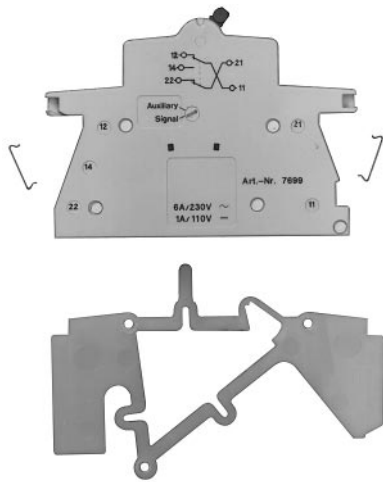


SPCL protectors carry the CE mark in accordance with Low Voltage Directive (LVD) (73/23/EEC)

**SPCL Accessories**

**Auxiliary/Signal Switch Kit**

Catalog Number SPCLUAUX is a field mountable switch kit that attaches to the left side of a SPCL Protector. It is field selectable to auxiliary or signal (bell alarm) configuration. The switch is UL and CSA approved for general purpose ratings of 6 ampere at 240 Vac or 1 ampere at 125 Vdc. Contacts are provided as indicated on the wiring diagram. Screw-type terminals are provided to accommodate up to #16 AWG wire. Recommended torque is approximately 13 inch-pounds.



**Contact Charts**

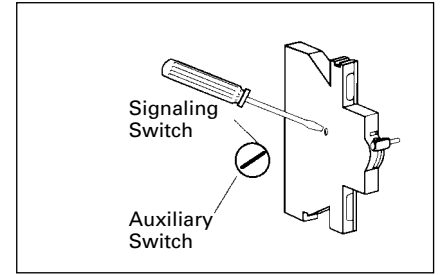
Contacts	Auxiliary Switch Mode	
	Protector Open	Protector Closed
11 to 12	X	0
11 to 14	0	X
21 to 22	X	0

Contacts	Signal Switch Mode		
	Protector Open	Protector Closed	Protector Tripped
11 to 12	0	0	X
11 to 14	X	X	0
21 to 22	0	0	X

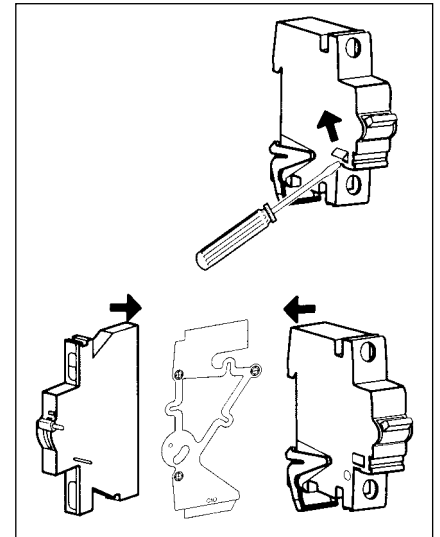
**Technical Data**

Rated Voltage:	230 Vac/110 Vdc
Rated Current:	6A Ac/1A Dc
Conductor Cross Section:	To 1.5 mm <sup>2</sup> (No 16 AWG)
Tightening Torque:	1 Nm (13 inch-pounds)
Product:	Catalog Number
Universal Auxiliary Switch:	<b>SPCLUAUX</b>

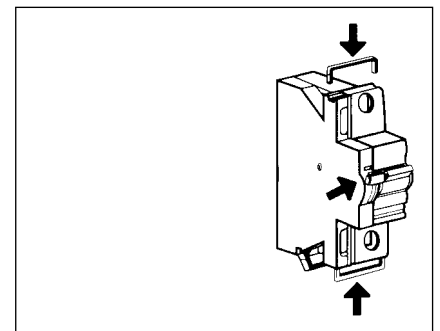
**Figure 1**



**Figure 2**



**Figure 3**



## Supplementary Protectors Current Limiting Type Cable-in/Cable-out DIN Rail

### SPCL Accessories

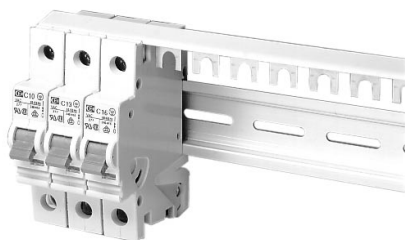
#### Lock-off Devices



#### Lock-off Devices

Catalog Number	Description
<b>SPCLPLDEV</b>	Padlockable device, mounts on protector and includes provisions to accept catalog number SPCLOCKEY Padlock
<b>SPCLOCKEY</b>	Padlock with 3 keys

#### Bus Bar Systems



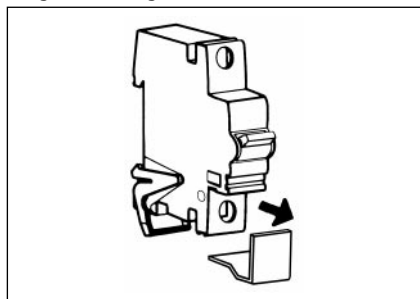
#### Bus Bar Systems

Catalog Number	Description
<b>SPCLIPB10MM</b>	Single-phase 240 Vac VDE approved Bus Bar, 1 meter in length, 10mm <sup>2</sup> density
<b>SPCL1PB16MM</b>	Single-phase 240 Vac VDE approved Bus Bar, 1 meter in length, 16mm <sup>2</sup> density

#### Maximum Bus Bar Current<sup>①</sup>

Conductor Density	End Connect	Center Connect
10 sq. mm	50 Amperes	100 Amperes
16 sq. mm	65 Amperes	130 Amperes

#### Finger Proofing Shield



#### Finger Proofing Shield

Catalog Number	Description
<b>SPCL2000</b>	Clip-on finger proofing shield to enhance finger protection on SPCL protectors. Plastic finger proofing shield clips into upper or lower terminal poles as required.

<sup>①</sup> Per VDE 0606.

**Description**

**UL 1077 Supplementary Protectors**  
Type SPHM Supplementary Protectors are IEC circuit breakers that are recognized by UL under UL 1077. They are intended for use as over-current protection within an appliance or electrical equipment where branch circuit protection (for example a UL listed Molded Case Circuit Breaker) has already been provided or is not required.

**Equipment and Control Circuit Applications**

These protectors are ideal for protecting motor control circuits, CPTs, relays, contactor coils, power supplies, PLC I/O points, lighting circuits, appliances, electronic equipment, and replacing fuses.

**Product Features**

The Type SPHM Supplementary Protectors are provided in light gray cases with charcoal gray handles. Handles are marked with "O" for "Off" and "I" for "On".

**DIN Rail Mounting:** Easy installation on 35mm DIN Rail. A spring loaded clip is provided for quick release from the DIN Rail mounting.

**Heat-Induced Nuisance Tripping Eliminated:** The protector is designed to "hold in" at 100% of continuous rated current regardless of ambient temperatures from -40 to +85°C.

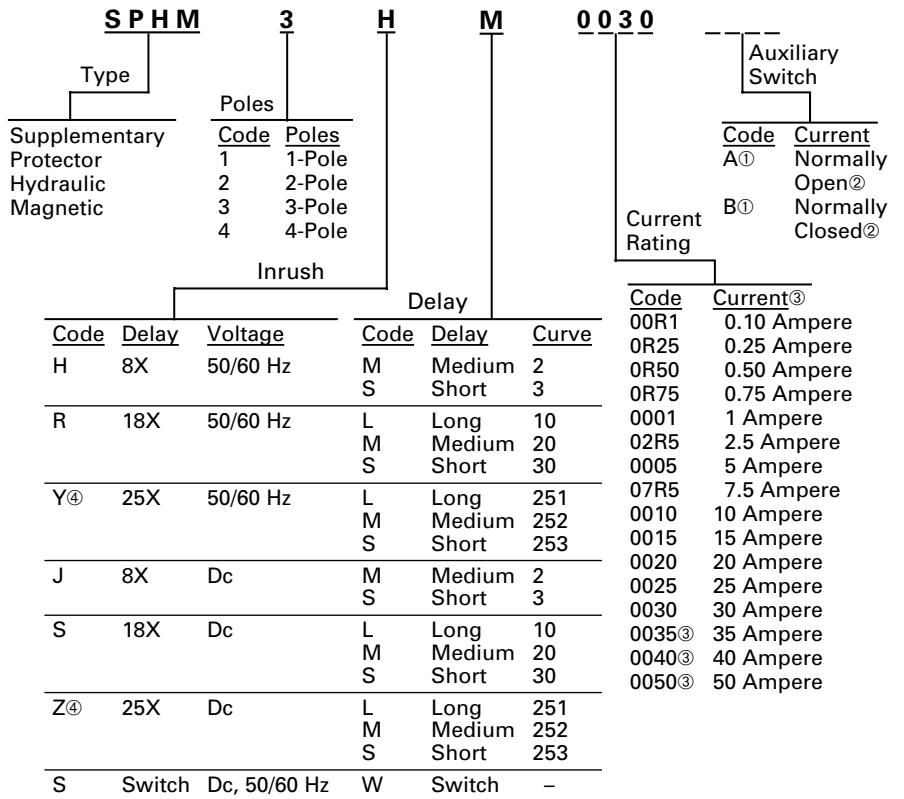
**Immediate Reset After Trip:** The protector can be reset (closed) immediately after an overcurrent trip without a "cooling off" period.

**Precise Overcurrent Calibration:** The protector can be precisely calibrated to a wide variety of current ranges from 0.1 to 50 amperes continuous. For special ratings not shown, contact Cutler-Hammer.

**Flexible Time-Characteristic Curves:** Long, Medium, and Short Delay Curves are available. Long Delay are for special extended inrush, Medium

① One A or B contact maximum per pole. Contacts will be arranged left to right (e.g.,) BAB suffix on 3-pole breaker.  
② Contact position when breaker in open condition. Contacts rated 10 amperes at 250 Vac.  
③ UL recognized to 250 Vac, 5 kA above 30 amperes.  
④ Maximum of 40 amperes available at 25X inrush.

**Catalog Numbering System**



**General Specifications and Electrical Ratings**

Standards and Approvals	Continuous Current Rating	Vac 50/60 Hz	Vdc	Interruption Cap Capacity RMS Symmetrical
UL 1077	0.1 to 30 Amperes	277/480		3 kA
	0.1 to 50 Amperes	250		5 kA
CSA 22.2	0.1 to 50 Amperes		80	5 kA
VDE 0660	0.1 to 50 Amperes	230/400		1.5 kA
IEC-380	0.1 to 50 Amperes		80	2 kA

for general purpose, and Short Delay for sensitive electronic applications.

**1/2 Cycle High-Inrush Tolerance:** The protector can be provided with tolerance to various levels of 1/2 cycle current spikes. General purpose tolerance is 8X the continuous current rating. Tolerance to 18X and 25X are also available.

**Environmental, Vibration, and Shock Resistance:** Mil-Spec qualification for fungus resistance, humidity, salt-spray resistance, and shock vibration resistance.

**Integral Auxiliary Switch (Optional):** One auxiliary switch contact (a or b) can be factory installed per protector pole. A separate pole for the contact is not required.

Standards: UL Recognized under UL 1077, CSA Certified to CSA 22.2. Meets the requirements of IEC-380, IEC-435, IEC-601, VDE 0660, VDE 601, VDE 0730, VDE 0750, VDE 0804, VDE 0806

Inrush Tolerance: 8X (Standard), 18X, or 25X

Overcurrent Curves: Long Delay, Medium Delay, or Short Delay

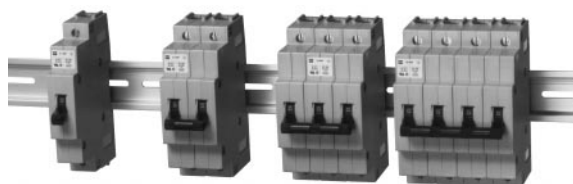
Operating Temperature: -40 to +85°C

Wire Range: Breaker Terminals: 14-6 AWG Copper, 35-inch-lbs torque  
Auxiliary Switch Terminals: 16 AWG Copper, 3.5-inch-lbs torque

Auxiliary Switch: 10 Amperes at 250 Vac

Degree of Protection: IP-20

## Supplementary Protectors Hydraulic Magnetic Type Cable-in/Cable-out DIN Rail



1-Pole

2-Pole

3-Pole

4-Pole

### SPHM Catalog Numbers

Continuous Current Rating (Amperes)	Catalog Number			
	8X (Standard Inrush Tolerance) Medium Delay Curve 2			
	1-Pole 277 Vac	2-Pole 277/480 Vac	3-Pole 277/480 Vac	4-Pole 277/480 Vac
0.1	SPHM1HM00R1Ⓢ	SPHM2HM00R1Ⓢ	SPHM3HM00R1Ⓢ	SPHM4HM00R1Ⓢ
0.25	SPHM1HM0R25Ⓢ	SPHM2HM0R25Ⓢ	SPHM3HM0R25Ⓢ	SPHM4HM0R25Ⓢ
0.50	SPHM1HM0R50Ⓢ	SPHM2HM0R50Ⓢ	SPHM3HM0R50Ⓢ	SPHM4HM0R50Ⓢ
0.75	SPHM1HM0R75Ⓢ	SPHM2HM0R75Ⓢ	SPHM3HM0R75Ⓢ	SPHM4HM0R75Ⓢ
1	SPHM1HM0001Ⓢ	SPHM2HM0001Ⓢ	SPHM3HM0001Ⓢ	SPHM4HM0001Ⓢ
2.5	SPHM1HM02R5Ⓢ	SPHM2HM02R5Ⓢ	SPHM3HM02R5Ⓢ	SPHM4HM02R5Ⓢ
5.0	SPHM1HM0005Ⓢ	SPHM2HM0005Ⓢ	SPHM3HM0005Ⓢ	SPHM4HM0005Ⓢ
7.5	SPHM1HM07R5Ⓢ	SPHM2HM07R5Ⓢ	SPHM3HM07R5Ⓢ	SPHM4HM07R5Ⓢ
10	SPHM1HM0010Ⓢ	SPHM2HM0010Ⓢ	SPHM3HM0010Ⓢ	SPHM4HM0010Ⓢ
15	SPHM1HM0015Ⓢ	SPHM2HM0015Ⓢ	SPHM3HM0015Ⓢ	SPHM4HM0015Ⓢ
20	SPHM1HM0020Ⓢ	SPHM2HM0020Ⓢ	SPHM3HM0020Ⓢ	SPHM4HM0020Ⓢ
25	SPHM1HM0025Ⓢ	SPHM2HM0025Ⓢ	SPHM3HM0025Ⓢ	SPHM4HM0025Ⓢ
30	SPHM1HM0030Ⓢ	SPHM2HM0030Ⓢ	SPHM3HM0030Ⓢ	SPHM4HM0030Ⓢ
Continuous Current Rating (Amperes)	8X (Standard Inrush Tolerance) Medium Delay Curve 2			
	1-Pole 250 Vac	2-Pole 250 Vac	3-Pole 250 Vac	4-Pole 250 Vac
	35	SPHM1HM0035Ⓢ	SPHM2HM0035Ⓢ	SPHM3HM0035Ⓢ
40	SPHM1HM0040Ⓢ	SPHM2HM0040Ⓢ	SPHM3HM0040Ⓢ	SPHM4HM0040Ⓢ
50	SPHM1HM0050Ⓢ	SPHM2HM0050Ⓢ	SPHM3HM0050Ⓢ	SPHM4HM0050Ⓢ
Continuous Current Rating (Amperes)	18X (High Inrush Tolerance) Medium Delay Curve 20			
	1-Pole 277 Vac	2-Pole 277/480 Vac	3-Pole 277/480 Vac	4-Pole 277/480 Vac
	0.1	SPHM1RM00R1Ⓢ	SPHM2RM00R1Ⓢ	SPHM3RM00R1Ⓢ
0.25	SPHM1RM0R25Ⓢ	SPHM2RM0R25Ⓢ	SPHM3RM0R25Ⓢ	SPHM4RM0R25Ⓢ
0.50	SPHM1RM0R50Ⓢ	SPHM2RM0R50Ⓢ	SPHM3RM0R50Ⓢ	SPHM4RM0R50Ⓢ
0.75	SPHM1RM0R75Ⓢ	SPHM2RM0R75Ⓢ	SPHM3RM0R75Ⓢ	SPHM4RM0R75Ⓢ
1	SPHM1RM0001Ⓢ	SPHM2RM0001Ⓢ	SPHM3RM0001Ⓢ	SPHM4RM0001Ⓢ
2.5	SPHM1RM02R5Ⓢ	SPHM2RM02R5Ⓢ	SPHM3RM02R5Ⓢ	SPHM4RM02R5Ⓢ
5	SPHM1RM0005Ⓢ	SPHM2RM0005Ⓢ	SPHM3RM0005Ⓢ	SPHM4RM0005Ⓢ
7.5	SPHM1RM07R5Ⓢ	SPHM2RM07R5Ⓢ	SPHM3RM07R5Ⓢ	SPHM4RM07R5Ⓢ
10	SPHM1RM0010Ⓢ	SPHM2RM0010Ⓢ	SPHM3RM0010Ⓢ	SPHM4RM0010Ⓢ
15	SPHM1RM0015Ⓢ	SPHM2RM0015Ⓢ	SPHM3RM0015Ⓢ	SPHM4RM0015Ⓢ
20	SPHM1RM0020Ⓢ	SPHM2RM0020Ⓢ	SPHM3RM0020Ⓢ	SPHM4RM0020Ⓢ
25	SPHM1RM0025Ⓢ	SPHM2RM0025Ⓢ	SPHM3RM0025Ⓢ	SPHM4RM0025Ⓢ
30	SPHM1RM0030Ⓢ	SPHM2RM0030Ⓢ	SPHM3RM0030Ⓢ	SPHM4RM0030Ⓢ
Continuous Current Rating (Amperes)	18X (High Inrush Tolerance) Medium Delay Curve 20			
	1-Pole 250 Vac	2-Pole 250 Vac	3-Pole 250 Vac	4-Pole 250 Vac
	35	SPHM1RM0035Ⓢ	SPHM2RM0035Ⓢ	SPHM3RM0035Ⓢ
40	SPHM1RM0040Ⓢ	SPHM2RM0040Ⓢ	SPHM3RM0040Ⓢ	SPHM4RM0040Ⓢ
50	SPHM1RM0050Ⓢ	SPHM2RM0050Ⓢ	SPHM3RM0050Ⓢ	SPHM4RM0050Ⓢ

### Shipping Data

	Shipped in Cartons of:	Carton Dimensions Inches (mm)	Approx. Weight Lbs. (Kgs)
1-Pole Units	12	10.500 (266.70) x 4.125 (104.78) x 4.500 (114.30)	15.000 (6.81)
2-Pole Units	6	10.500 (266.70) x 4.125 (104.78) x 4.500 (114.30)	15.000 (6.81)
3-Pole Units	4	10.500 (266.70) x 4.125 (104.78) x 4.500 (114.30)	15.000 (6.81)
4-Pole Units	3	10.500 (266.70) x 4.125 (104.78) x 4.500 (114.30)	15.000 (6.81)

Ⓢ Normally stocked.

Ⓢ Special order, contact Cutler-Hammer. Minimum quantities apply. Contact Cutler-Hammer for price and availability for 400 Hz, Dc, Auxiliary Switch, and other catalog number combinations not shown.

Series C® G-Frame

- All two- and three-pole circuit breakers are of the common trip type. On all 3-phase Delta (240V) Grounded B phase applications, refer to Cutler-Hammer.
- Single-pole circuit breakers, 15 and 20 amperes. Switching duty rated (SWD) for fluorescent lighting applications.
- All G-frame circuit breakers are suitable for reverse feed use.
- HACR rated.

Interrupting Capacity Ratings

UL489 Interrupting Capacity Ratings

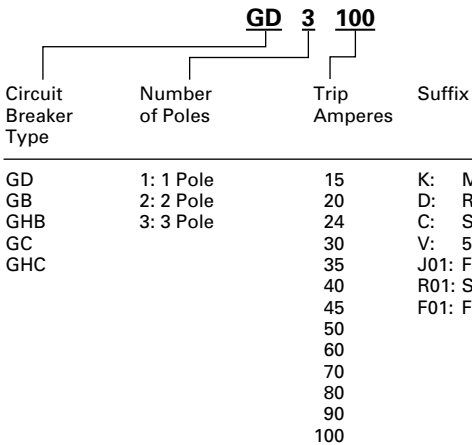
Circuit Breaker Type	Number of Poles	Interrupting Capacity (Symmetrical Amperes) (kA)						Page Number
		Volts Ac (50/60 Hz)				Volts Dc		
		120	240	277	480	125	250 <sup>①②</sup>	
GD	3	–	65	–	22	–	10	26

Circuit Breaker Type	Number of Poles	Interrupting Capacity (Symmetrical Amperes) (kA)						Page Number
		Volts Ac (50/60 Hz)				Volts Dc		
		120	240	277	480Y/277	125	125/250	
GB	1	65	–	–	–	14 <sup>③</sup>	–	27
	2, 3	–	65	–	–	–	14	27
GHB	1	65	–	14	–	14 <sup>③</sup>	–	27
	2, 3	–	65	–	14	–	14	27
GC	1	65	–	–	–	14 <sup>③</sup>	–	28
	2, 3	–	65	–	–	–	14	28
GHC	1	65	–	14	–	14 <sup>③</sup>	–	28
	2, 3	–	65	–	14	–	14	28

Catalog Numbering System

This information is presented only as an aid to understanding catalog numbers. It is not to be used to build catalog numbers for circuit breakers or trip units.

Circuit Breaker/Frame Catalog Number



Terminal Types

For line and load-side. Terminals are UL listed as suitable for wire type and size given below.

Circuit Breaker Amperes	Terminal Type Material	Screw Head Type	Wire Type	AWG Wire Range	Metric Wire <sup>④</sup> Range (mm <sup>2</sup> )
<b>Standard</b>					
15-20	Clamp (Plated Steel)	Slotted	Cu/Al	#14-10	2.5-4
25-100	Pressure (Aluminum Body)	Slotted	Cu/Al	#10-1/0	4-50
<b>Optional</b>					
15-50	Pressure (Steel Body)	Slotted	Cu	–	–

① Two poles of 3-pole circuit breaker.  
 ② Time constant is 8 milliseconds minimum.  
 ③ 15 through 70A breakers only.  
 ④ Not UL listed sizes.

**Series C® G-Frame**



*Typical Series C G-Frame Circuit Breaker*

**Type GD Thermal-Magnetic Circuit Breakers with Non-Interchangeable Trip-Units**

<b>Maximum Continuous Ampere Rating @ 40°C</b>	<b>480 Vac Maximum, 250 Vdc<sup>①</sup></b>	<b>Catalog Number (Includes binding head screws)</b>
	<b>22 kAIC @ 480 Vac</b>	
	<b>Catalog Number (Includes Line and Load Terminals)</b>	

**3-Pole**

15	<b>GD3015</b>	<b>GD3015D</b>
20	<b>GD3020</b>	<b>GD3020D</b>
25	<b>GD3025</b>	<b>GD3025D</b>
30	<b>GD3030</b>	<b>GD3030D</b>
35	<b>GD3035</b>	<b>GD3035D</b>
40	<b>GD3040</b>	<b>GD3040D</b>
45	<b>GD3045</b>	<b>GD3045D</b>
50	<b>GD3050</b>	<b>GD3050D</b>
60	<b>GD3060</b>	<b>GD3060D</b>
70	<b>GD3070</b>	<b>GD3070D</b>
80	<b>GD3080</b>	<b>GD3080D</b>
90	<b>GD3090</b>	<b>GD3090D</b>
100	<b>GD3100</b>	<b>GD3100D</b>

Instruction Leaflet/FRED Number 29C102

**Molded Case Switches**

<b>Maximum Continuous Ampere Rating @ 40°C</b>	<b>480 Vac Maximum, 250 Vdc</b>
	<b>Catalog Number (Includes Line and Load Terminals)</b>

**3-Pole**

60	<b>GD3060K</b>
100	<b>GD3100K</b>

Instruction Leaflet/FRED Number 29C102



**Types GB and GHB Bolt-On Panelboard Circuit Breakers**



Typical GB

These breakers meet the requirements of Federal Specification W-C-375b as follows:

Types GB, GHB, 120 and 240 Volts:  
1 Pole: Class 11a.  
2, 3 Poles: Classes 10b, 11b, 12b, 14b, 15b

Type GHB, 277 and 480Y/277 Volts:  
1 Pole: Classes 12c, 13a  
2, 3 Poles: Class 13b

**Type GB Thermal-Magnetic Circuit Breakers with Non-Interchangeable Trip Units**

Continuous Ampere Rating @ 40°C	120 Vac Maximum, 125 Vdc Maximum <sup>①</sup>	240 Vac Maximum, 125/250 Vdc Maximum	240 Vac Maximum, 125/250 Vdc Maximum <sup>②</sup>
	1-Pole	2-Pole	3-Pole
Catalog Number			
15	GB1015 <sup>③</sup>	GB2015 <sup>③</sup>	GB3015 <sup>③</sup>
20	GB1020 <sup>③</sup>	GB2020 <sup>③</sup>	GB3020 <sup>③</sup>
25	GB1025	GB2025	GB3025
30	GB1030	GB2030	GB3030
35	GB1035	GB2035	GB3035
40	GB1040	GB2040	GB3040
45	GB1045	GB2045	GB3045
50	GB1050	GB2050	GB3050
60	GB1060	GB2060	GB3060
70	GB1070	GB2070	GB3070
80	GB1080	GB2080	GB3080
90	GB1090	GB2090	GB3090
100	GB1100	GB2100	GB3100

**Type GHB Thermal-Magnetic Circuit Breakers with Non-Interchangeable Trip Units<sup>④</sup>**

Continuous Ampere Rating @ 40°C	277/480 Vac Maximum, 125 Vdc Maximum <sup>①</sup>	277/480 Vac Maximum, 125/250 Vdc Maximum	277/480 Vac Maximum, 125/250 Vdc Maximum <sup>②</sup>
	1-Pole	2-Pole	3-Pole
Catalog Number			
15	GHB1015 <sup>③</sup>	GHB2015 <sup>③</sup>	GHB3015 <sup>③</sup>
20	GHB1020 <sup>③</sup>	GHB2020 <sup>③</sup>	GHB3020 <sup>③</sup>
25	GHB1025	GHB2025	GHB3025
30	GHB1030	GHB2030	GHB3030
35	GHB1035	GHB2035	GHB3035
40	GHB1040	GHB2040	GHB3040
45	GHB1045	GHB2045	GHB3045
50	GHB1050	GHB2050	GHB3050
60	GHB1060	GHB2060	GHB3060
70	GHB1070	GHB2070	GHB3070
80	GHB1080	GHB2080	GHB3080
90	GHB1090	GHB2090	GHB3090
100	GHB1100	GHB2100	GHB3100

Instruction Leaflet/FRED Number 15547

**Type GHBGFEP Bolt-on Panelboard 30mA Industrial Ground Fault Circuit Protectors**

15-60 Amperes, 277 Volt, 50/60 Hz



Single Phase  
(Requires 2 Poles)

These circuit breakers meet the requirements of UL489 and UL1053.

Operational voltage 240V to 305V.

**Interrupting Capacity Ratings**

Circuit Breaker Type	Number of Poles	Interrupting Capacity (Symmetrical Amperes)
		277 Volts Ac (50/60 Hz)
GHBGFEP	2	14,000

**Type GHBGFEP Bolt-on Panelboard 30mA Industrial Ground Fault Circuit Protectors with Non-Interchangeable Trip Units**

Continuous Ampere Rating @ 40°C	One Phase (Requires 2 Poles) 277V, 30mA
	Catalog Number
15	GHBGFEP1015
20	GHBGFEP1020
30	GHBGFEP1030
40	GHBGFEP1040
50	GHBGFEP1050
60	GHBGFEP1060

Instruction Leaflet/FRED Number 29C193

- ① 15 through 70 ampere circuit breakers only.
- ② Use (2) outside poles.
- ③ Uses .190-32 screw type clamp terminals.
- ④ 480Y/277V, circuit breakers (Type GHB) not suitable for 3-phase Delta (480V).



## Series C® G-Frame

## Types GC and GHC Circuit Breakers

15-100 Amperes, 120, 240, 277, 480Y/277V, 50/60 Hz, 125, 125/250 Vdc, 1, 2, and 3 Poles



Typical GC

These breakers meet the requirements of Federal Specification W-C-37b as follows:

Types GC, 120 and 240 Volts:

- 1 Pole: Class 11a
- 2, 3 Poles: Classes 10b, 11b, 12b, 14b, 15b

Type GHC, 277 and 480Y/277 Volts:

- 1 Pole: Classes 12c, 13a
- 2, 3 Poles: Class 13b

### Type GC Thermal-Magnetic Circuit Breakers with Non-Interchangeable Trip Units

Continuous Ampere Rating @ 40°C	240 Vac Maximum, 125 Vdc Maximum <sup>①</sup>	240 Vac Maximum, 125/250 Vdc Maximum	240 Vac Maximum, 125/250 Vdc Maximum <sup>②</sup>
	1-Pole	2-Pole	3-Pole
Catalog Number			
15	GC1015 <sup>③</sup>	GC2015 <sup>③</sup>	GC3015 <sup>③</sup>
20	GC1020 <sup>③</sup>	GC2020 <sup>③</sup>	GC3020 <sup>③</sup>
25	GC1025	GC2025	GC3025
30	GC1030	GC2030	GC3030
35	GC1035	GC2035	GC3035
40	GC1040	GC2040	GC3040
45	GC1045	GC2045	GC3045
50	GC1050	GC2050	GC3050
60	GC1060	GC2060	GC3060
70	GC1070	GC2070	GC3070
80	GC1080	GC2080	GC3080
90	GC1090	GC2090	GC3090
100	GC1100	GC2100	GC3100

### Type GHC Thermal-Magnetic Circuit Breakers with Non-Interchangeable Trip Units

Continuous Ampere Rating @ 40°C	277 Vac Maximum, 125 Vdc Maximum <sup>①</sup>	480Y/277 Vac Maximum, 125/250 Vdc Maximum	480Y/277 Vac Maximum, 125/250 Vdc Maximum <sup>②</sup>
	1-Pole	2-Pole	3-Pole
Catalog Number			
15	GHC1015 <sup>③</sup>	GHC2015 <sup>③</sup>	GHC3015 <sup>③</sup>
20	GHC1020 <sup>③</sup>	GHC2020 <sup>③</sup>	GHC3020 <sup>③</sup>
25	GHC1025	GHC2025	GHC3025
30	GHC1030	GHC2030	GHC3030
35	GHC1035	GHC2035	GHC3035
40	GHC1040	GHC2040	GHC3040
45	GHC1045	GHC2045	GHC3045
50	GHC1050	GHC2050	GHC3050
60	GHC1060	GHC2060	GHC3060
70	GHC1070	GHC2070	GHC3070
80	GHC1080	GHC2080	GHC3080
90	GHC1090	GHC2090	GHC3090
100	GHC1100	GHC2100	GHC3100

Instruction Leaflet/FRED Number 15548

## Type GHCGFEP Cable In/Cable Out 30mA Industrial Ground Fault Circuit Protectors

15-60 Amperes, 277 Volt, 50/60 Hz



Single Phase  
Requires 2 Poles

These circuit breakers meet the requirements of UL489 and UL1053.

Operational voltage 240V to 305V.

### Interrupting Capacity Ratings

Circuit Breaker Type	Number of Poles	Interrupting Capacity (Symmetrical Amperes)
		277 Volts Ac (50/60 Hz)
GHCGFEP	2	14,000

### Type GHBGFEP Bolt-on Panelboard 30mA Industrial Ground Fault Circuit Protectors with Non-Interchangeable Trip Units

Continuous Ampere Rating @ 40°C	One Phase (Requires 2 Poles) 277V, 30mA
	Catalog Number
15	GHBGFEP1015
20	GHBGFEP1020
30	GHBGFEP1030
40	GHBGFEP1040
50	GHBGFEP1050
60	GHBGFEP1060

Instruction Leaflet/FRED Number 29C193

① 15 through 70 ampere circuit breakers only.

② Use (2) outside poles.

③ Uses .190-32 screw type clamp terminals.

Series C® G-Frame

**Special Purpose Breakers**

These are Types GC and GHC circuit breakers with binding head screw-type terminals on line and load side. These circuit breakers with screw-type terminals (.190-32) will be

marked "Special purpose breaker not for general use." To order this special breaker, use the catalog number below.

**Type GC Thermal-Magnetic Circuit Breakers with Non-Interchangeable Trip Units**

Continuous Ampere Rating @ 40°C	120 Vac Maximum, 125 Vdc Maximum	240 Vac Maximum, 125/250 Vdc Maximum	240 Vac Maximum, 125/250 Vdc Maximum <sup>①</sup>
	1-Pole	2-Pole	3-Pole
Catalog Number			
25	GC1025D	GC2025D	GC3025D
30	GC1030D	GC2030D	GC3030D
35	GC1035D	GC2035D	GC3035D
40	GC1040D	GC2040D	GC3040D
45	GC1045D	GC2045D	GC3045D
50	GC1050D	GC2050D	GC3050D
55	GC1055D	GC2055D	GC3055D
60	GC1060D	GC2060D	GC3060D

**Type GHC Thermal-Magnetic Circuit Breakers with Non-Interchangeable Trip Units**

Continuous Ampere Rating @ 40°C	277 Vac Maximum, 125 Vdc Maximum	480Y/277 Vac Maximum, 125/250 Vdc Maximum	480Y/277 Vac Maximum, 125/250 Vdc Maximum <sup>①</sup>
	1-Pole	2-Pole	3-Pole
Catalog Number			
25	GHC1025D	GHC2025D	GHC3025D
30	GHC1030D	GHC2030D	GHC3030D
35	GHC1035D	GHC2035D	GHC3035D
40	GHC1040D	GHC2040D	GHC3040D
45	GHC1045D	GHC2045D	GHC3045D
50	GHC1050D	GHC2050D	GHC3050D
55	GHC1055D	GHC2055D	GHC3055D
60	GHC1060D	GHC2060D	GHC3060D

Instruction Leaflet/FRED Number 15548

① Use (2) outside poles.

## Series C® G-Frame

## Dimensions/Weights

### Dimensions, Inches (mm)

Number of Poles	Width	Height	Depth
1	1.0 (25.33)	4.88 (123.95)	2.81 (71.41)
2	2.0 (50.78)	4.88 (123.95)	2.81 (71.41)
3	3.0 (76)	4.88 (123.95)	2.81 (71.41)

### Approximate Shipping Weight, Lbs. (kg)

Breaker Type	Number of Poles		
	1	2	3
GD	1.0 (.454)	1.5 (.680)	2.25 (1.021)
GHBGFEP	—	1.2 (.545)	—
GHCGFEP	—	1.1 (.499)	—
GB/GHC	<b>Carton Quantity</b>		
	24	12	8
	16 (7.264)	16 (7.264)	16 (7.264)
GC/GHC	<b>Carton Quantity</b>		
	24	12	8
	18 (8.172)	18 (8.172)	18 (8.172)

## Accessories

### Internal

Alarm Switch .....	139
Auxiliary Switch.....	142
Shunt Trip .....	147
Undervoltage Release Mechanism.....	153

### External

Base Mounting Hardware .....	163
Base Mounting Plate .....	167
DIN Rail Adapter .....	167
Key Operated Attachment.....	167
Lock Dog (non-padlockable)....	168
Padlockable Handle .....	168
Handle Mechanisms .....	180

Series C® F-Frame



Typical Series C F-Frame Breaker

- All Series C F-frame circuit breakers are HACR rated.
- All circuit breakers 10 through 50 amperes are suitable for HID (high intensity discharge) use.
- All F-frame circuit breakers are suitable for reverse feed use.

Interrupting Capacity Ratings

UL489 Interrupting Capacity Ratings

Circuit Breaker Type	Number of Poles	Interrupting Capacity (Symmetrical Amperes) (kA)						Page Number
		Volts Ac (50/60 Hz)				Volts Dc <sup>①</sup>		
		240	277	480	600	125	250 <sup>②③</sup>	
ED	2, 3	65	—	—	—	10	—	32
EDH	2, 3	100	—	—	—	10	—	32
EDC	2, 3	200	—	—	—	10	—	32
EHD	1	—	14	—	—	10	—	32
	2, 3	18	—	14	—	—	10	32
FDB	2, 3, 4	18	—	14	14	—	10	32
FD	1	—	25	—	—	10	—	32
	2, 3, 4	65	—	25	18	—	10	32
HFD	1	—	65	—	—	10	—	33
	2, 3, 4	100	—	65	25	—	22	33
FDC	2, 3, 4	200	—	100	35	—	22	33

IEC 157-1 (P1) Interrupting Capacity Ratings (P1)

Circuit Breaker Type	Number of Poles	Interrupting Capacity (Symmetrical Amperes) (kA)						Page Number
		Volts Ac (50/60 Hz)				Volts Dc <sup>①</sup>		
		220, 240	380, 415	440	500	125	250 <sup>②③</sup>	
ED	2, 3	65	—	—	—	10	—	32
EDH	2, 3	100	—	—	—	10	—	32
EDC	2, 3	200	—	—	—	10	—	32
FDB	2, 3, 4	18	14	14	14	—	10	32
FD	1	25	—	—	—	10	—	32
	2, 3, 4	65	35	35	18	—	10	32
HFD	1	65	—	—	—	10	—	33
	2, 3, 4	100	65	65	25	—	22	33
FDC	2, 3, 4	200	100	100	35	—	22	33

① Dc ratings apply to substantially non-inductive circuits.  
 ② 2-pole circuit breaker, or two poles of 3-pole circuit breaker.  
 ③ Time constant is 3 milliseconds minimum at 10 kA and 8 milliseconds minimum at 22 kA.

Series C® F-Frame

**Types ED, EDH, and EDC Thermal-Magnetic Circuit Breakers with Non-Interchangeable Trip Units Suitable for Reverse Feed**

Maximum Continuous Ampere Rating @ 40°C	240 Vac Maximum, 125 Vdc					
	65 kAIC @ 240 Vac		100 kAIC @ 240 Vac		200 kAIC @ 240 Vac	
	Type ED		Type EDH		Type EDC Current Limiting	
	2-Pole	3-Pole	2-Pole	3-Pole	2-Pole	3-Pole
	Catalog Number (Includes Terminals on Load End Only)					
100	ED2100	ED3100	EDH2100	EDH3100	EDC2100	EDC3100
125	ED2125	ED3125	EDH2125	EDH3125	EDC2125	EDC3125
150	ED2150	ED3150	EDH2150	EDH3150	EDC2150	EDC3150
175	ED2175	ED3175	EDH2175	EDH3175	EDC2175	EDC3175
200	ED2200	ED3200	EDH2200	EDH3200	EDC2200	EDC3200
225	ED2225	ED3225	EDH2225	EDH3225	EDC2225	EDC3225

Instruction Leaflet/FRED Number 29C101

**Type EHD Thermal-Magnetic Circuit Breakers with Non-Interchangeable Trip Units**

Maximum Continuous Ampere Rating @ 40°C	277 Vac Maximum, 125 Vdc		480 Vac Maximum, 250 Vdc	
	14 kAIC @ 277 Vac		14 kAIC @ 480 Vac	
	Type EHD			
	1-Pole	2-Pole	3-Pole	
	Catalog Number (Includes Terminals on Load End Only)			
10 <sup>①</sup>	EHD1010	EHD2010	EHD3010	
15	EHD1015 <sup>②</sup>	EHD2015	EHD3015	
20	EHD1020 <sup>②</sup>	EHD2020	EHD3020	
25	EHD1025	EHD2025	EHD3025	
30	EHD1030	EHD2030	EHD3030	
35	EHD1035	EHD2035	EHD3035	
40	EHD1040	EHD2040	EHD3040	
45	EHD1045	EHD2045	EHD3045	
50	EHD1050	EHD2050	EHD3050	
60	EHD1060	EHD2060	EHD3060	
70	EHD1070	EHD2070	EHD3070	
80	EHD1080	EHD2080	EHD3080	
90	EHD1090	EHD2090	EHD3090	
100	EHD1100	EHD2100	EHD3100	

Instruction Leaflet/FRED Number 29C101

**Type FD Thermal-Magnetic Circuit Breakers with Non-Interchangeable Trip Units**

Maximum Continuous Ampere Rating @ 40°C	600 Vac Maximum, 250 Vdc			277 Vac Maximum, 125 Vdc		600 Vac Maximum, 250 Vdc		
	14 kAIC @ 600 Vac			25 kAIC @ 277 Vac		25 kAIC @ 480 Vac		
	Type FDB			Type FD				
	2-Pole	3-Pole	4-Pole	1-Pole	2-Pole	3-Pole	4-Pole	
	Catalog Number (Includes Terminals on Load End Only)							
10 <sup>①</sup>	FDB2010	FDB3010	FDB4010	FD1010	—	—	—	
15	FDB2015	FDB3015	FDB4015	FD1015 <sup>②</sup>	FD2015	FD3015	FD4015	
20	FDB2020	FDB3020	FDB4020	FD1020 <sup>②</sup>	FD2020	FD3020	FD4020	
25	FDB2025	FDB3025	FDB4025	FD1025	FD2025	FD3025	FD4025	
30	FDB2030	FDB3030	FDB4030	FD1030	FD2030	FD3030	FD4030	
35	FDB2035	FDB3035	FDB4035	FD1035	FD2035	FD3035	FD4035	
40	FDB2040	FDB3040	FDB4040	FD1040	FD2040	FD3040	FD4040	
45	FDB2045	FDB3045	FDB4045	FD1045	FD2045	FD3045	FD4045	
50	FDB2050	FDB3050	FDB4050	FD1050	FD2050	FD3050	FD4050	
60	FDB2060	FDB3060	FDB4060	FD1060	FD2060	FD3060	FD4060	
70	FDB2070	FDB3070	FDB4070	FD1070	FD2070	FD3070	FD4070	
80	FDB2080	FDB3080	FDB4080	FD1080	FD2080	FD3080	FD4080	
90	FDB2090	FDB3090	FDB4090	FD1090	FD2090	FD3090	FD4090	
100	FDB2100	FDB3100	FDB4100	FD1100	FD2100	FD3100	FD4100	
110	FDB2110	FDB3110	FDB4110	FD1110	FD2110	FD3110	FD4110	
125	FDB2125	FDB3125	FDB4125	FD1125	FD2125	FD3125	FD4125	
150	FDB2150	FDB3150	FDB4150	FD1150	FD2150	FD3150	FD4150	
175	—	—	—	—	FD2175	FD3175	FD4175	
200	—	—	—	—	FD2200	FD3200	FD4200	
225	—	—	—	—	FD2225	FD3225	FD4225	

Instruction Leaflet/FRED Number 29C101

① Not UL listed. 5 kAIC interrupting rating.  
② UL listed for SWD applications, see NEC Article 240-83 (d).

Series C® F-Frame

Types HFD and FDC Thermal-Magnetic Circuit Breakers with Non-Interchangeable Trip Units

Maximum Continuous Ampere Rating @ 40°C	600 Vac Maximum, 250 Vdc		277 Vac Maximum, 125 Vdc		600 Vac Maximum, 250 Vdc		
	65 kAIC @ 277 Vac		65 kAIC @ 480 Vac		100 kAIC @ 480 Vac		
	Type HFD				Type FDC Current Limiting		
	1-Pole	2-Pole	3-Pole	4-Pole	2-Pole	3-Pole	4-Pole
Catalog Number (Includes Terminals on Load End Only)							
15	HFD1015	HFD2015	HFD3015	HFD4015	FDC2015	FDC3015	FDC4015
20	HFD1020	HFD2020	HFD3020	HFD4020	FDC2020	FDC3020	FDC4020
25	HFD1025	HFD2025	HFD3025	HFD4025	FDC2025	FDC3025	FDC4025
30	HFD1030	HFD2030	HFD3030	HFD4030	FDC2030	FDC3030	FDC4030
35	HFD1035	HFD2035	HFD3035	HFD4035	FDC2035	FDC3035	FDC4035
40	HFD1040	HFD2040	HFD3040	HFD4040	FDC2040	FDC3040	FDC4040
45	HFD1045	HFD2045	HFD3045	HFD4045	FDC2045	FDC3045	FDC4045
50	HFD1050	HFD2050	HFD3050	HFD4050	FDC2050	FDC3050	FDC4050
60	HFD1060	HFD2060	HFD3060	HFD4060	FDC2060	FDC3060	FDC4060
70	HFD1070	HFD2070	HFD3070	HFD4070	FDC2070	FDC3070	FDC4070
80	HFD1080	HFD2080	HFD3080	HFD4080	FDC2080	FDC3080	FDC4080
90	HFD1090	HFD2090	HFD3090	HFD4090	FDC2090	FDC3090	FDC4090
100	HFD1100	HFD2100	HFD3100	HFD4100	FDC2100	FDC3100	FDC4100
110	HFD1110	HFD2110	HFD3110	HFD4110	FDC2110	FDC3110	FDC4110
125	HFD1125	HFD2125	HFD3125	HFD4125	FDC2125	FDC3125	FDC4125
150	HFD1150	HFD2150	HFD3150	HFD4150	FDC2150	FDC3150	FDC4150
175	-	HFD2175	HFD3175	HFD4175	FDC2175	FDC3175	FDC4175
200	-	HFD2200	HFD3200	HFD4200	FDC2200	FDC3200	FDC4200
225	-	HFD2225	HFD3225	HFD4225	FDC2225	FDC3225	FDC4225

Instruction Leaflet/FRED Number 29C101

Molded Case Switches

Molded case switches are used as compact switches in applications requiring high current switching capabilities. Molded case switches are constructed of circuit breaker components and are of the high instantaneous automatic type. Molded case switches are listed in accordance with Underwriters Laboratories, Inc., Standard UL 1087.

Maximum Continuous Ampere Rating @ 40°C	480 Vac Maximum, 250 Vdc		600 Vac Maximum, 250 Vdc	
	Complete Circuit Breaker with Load Side Terminals Only		Complete Circuit Breaker with Load Side Terminals Only	
	Catalog Number			

2-Pole

Rating	480 Vac	600 Vac
100	EHD2100K	FD2100K
150	-	FD2150K
225	-	FD2225K

3-Pole

Rating	480 Vac	600 Vac
100	EHD3100K	FD3100K
150	-	FD3150K
225	-	FD3225K

4-Pole

Rating	480 Vac	600 Vac
100	-	FD4100K
150	-	FD4150K
225	-	FD4225K

**Note:** Molded Case Switches may open above 1800 amperes.

Instruction Leaflet/FRED Number 29C101

## Series C® F-Frame

### Line and Load Terminals

Line and load terminals provide wire connecting capabilities for specific ranges of continuous current ratings and wire types. Except as noted, terminals comply with Underwriters Laboratories, Inc., Standards UL486A and UL486B. Unless otherwise specified, F-frame circuit breakers

are factory equipped with load terminals only.

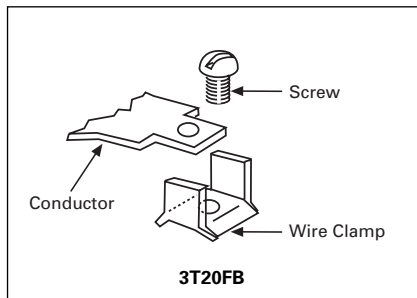
### Ordering Information

F-frame circuit breakers and molded case switches have load terminals only as standard equipment. When standard line-end terminals (same as

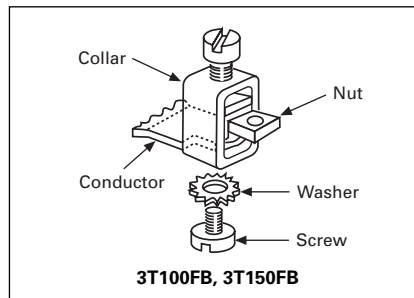
standard load-end terminals) are required, add suffix L to the circuit breaker catalog number. When non-standard or optional line and/or load terminals are required, order by style number. Specify if factory installation is required.

### Line and Load Terminals

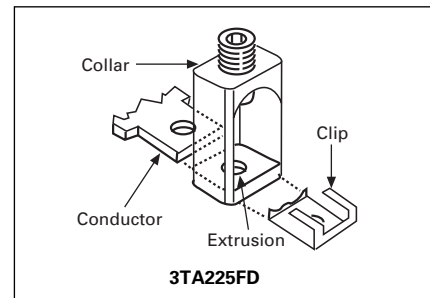
Maximum Breaker Amperes	Terminal Body Material	Wire Type	AWG Wire Range	Metric Wire Range mm <sup>2</sup>	Package of 3 Terminals
					Catalog Number
<b>Standard Pressure Type Terminals</b>					
20 (EHD)	Steel	Cu/Al	#14-#10	2.5-4	<b>3T20FB</b> ①
100	Steel	Cu/Al	#14-1/0	2.5-50	<b>3T100FB</b>
225	Aluminum	Cu/Al	#14-4/0	25-95	<b>3TA225FD</b>
<b>Optional Pressure Terminals</b>					
50	Aluminum	Cu/Al	#14-#4	2.5-16	<b>3TA50FB</b> ①
100	Aluminum	Cu/Al	#14-1/0	2.5-50	<b>3TA100FD</b>
200	Stainless Steel	Cu	#4-4/0	25-95	<b>3T150FB</b>
225	Aluminum	Cu/Al	#6-300 kcmil	16-150	<b>3TA225FDK</b> ②



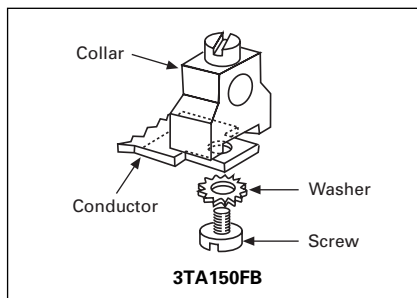
Assemble wire clamp to bottom of conductor as shown.



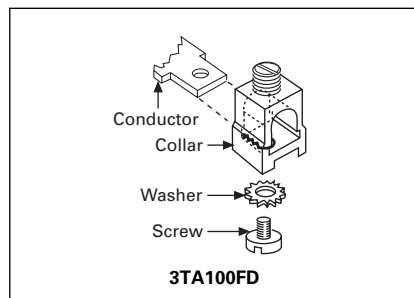
Insert collar enclosing conductor as shown. Locate nut on top of conductor and tighten securely with screw and washer. Caution: Collar must surround conductor.



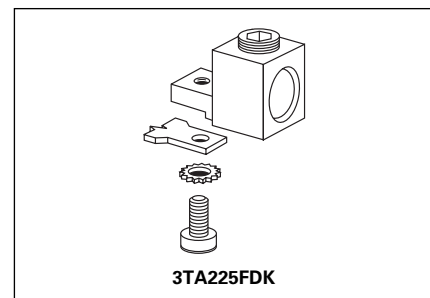
Insert collar enclosing conductor and center on extrusion on collar. Install clip with legs on top of conductor and snap end around bottom of collar.



Assemble collar on top of conductor as shown. Tighten securely with screw and washer.



Collar slides onto conductor and is held in position by a screw and lockwasher.



Assemble collar on top of conductor as shown. Tighten securely with screw and washer. Terminal shield must be used with this collar.

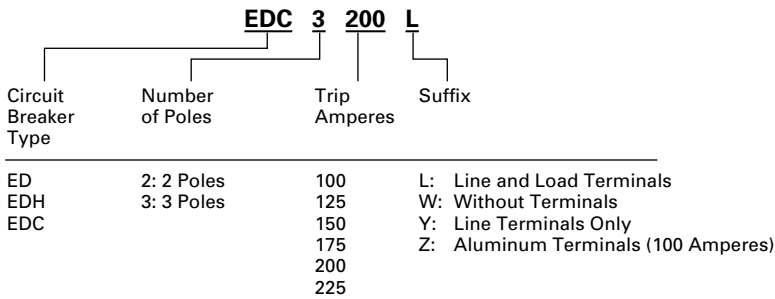
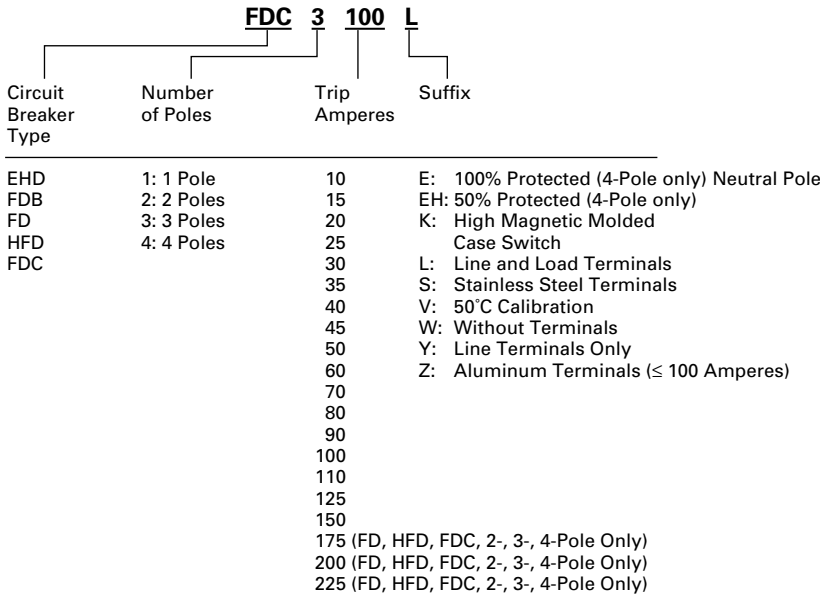
① Not for use with ED, EDH, EDC breakers.

② Includes terminal shield kit. Adds approximately 3 inches to breaker height. Available for use on 3-pole breaker only.

### Catalog Numbering System

This information is presented only as an aid to understanding catalog numbers. It is not to be used to build catalog numbers for circuit breakers or trip units.

#### Circuit Breaker Catalog Number



### Dimensions/Weights

#### Dimensions, Inches (mm)

Number of Poles	Width	Height	Depth
1	1.375 (35)	6 (152)	3.375 (86)
2	2.75 (70)	6 (152)	3.375 (86)
3	4.125 (105)	6 (152)	3.375 (86)
4	5.5 (140)	6 (152)	3.375 (86)

#### Approximate Shipping Weight, Lbs. (kg)

Breaker Type	Number of Poles			
	1	2	3	4
ED, EDH, EDC	–	3 (1.361)	4.5 (2.041)	–
EHD, FDB, FD, HFD, FDC	2 (.907)	3 (1.361)	4.5 (2.041)	6 (2.721)



## Series C® F-Frame

### Allowable Accessory Combinations

Different combinations of accessories can be supplied, depending on the types of accessories and the number of poles in the circuit breaker.

	Reference Page	1-Pole		2-Pole		3-Pole			4-Pole			
		Center		Left	Right	Left	Center	Right	Left	Center	Right	Neu.
<b>Internal Accessories</b>												
Alarm Lockout Switch (Make Only)	139	■										
Alarm Lockout (Make/Break)	139				■		□		□		■	
Alarm Lockout (2Make/2Break)	139				■		□		□		■	
Auxiliary Switch (1A, 1B)	142				■		■		■		■	■
Auxiliary Switch (2A, 2B)	142				■		■		■		■	■
Auxiliary Switch and Alarm Switch Combination	145				■		□		□		■	
Shunt Trip – Standard	148				■		■		■		■	■
Shunt Trip – Low Energy	152				■		■		■		■	
Undervoltage Release Mechanism	154				■		■		■		■	
<b>External Accessories</b>												
End Cap Kit	161				●				●			●
Keeper Nut	161	●			●				●			●
Control Wire Terminal Kit	162	●			●				●			●
Multiwire Connectors	162	●			●				●			●
Base Mounting Hardware	163	●			●				●			●
Terminal Shields	165	●			●				●			●
Terminal End Covers	166								●			
Interphase Barriers	166				●				●			●
Non-Padlockable Handle Block	168	■			■				■		■	
Snap-on Padlockable Handle Lock Hasp	168	■			■				■		■	
Padlockable Handle Lock Hasp	169				■		□		□		□	□
Cylinder Lock	169						■					
Key Interlock Kit	170				■		□		□		□	□
Sliding Bar Interlock – Requires Two Breakers	171								●			
Walking Beam Interlock – Requires Two Breakers	171								●			●
Electrical (Solenoid) Operator	172								●			●
Plug-in Adapters	174				●				●			●
Rear Connecting Studs	175	●			●				●			●
Panelboard Connecting Straps	177	●			●				●			●
Handle Mechanisms	178								●			
Door Hardware/Accessories	182								●			●
LFD Current Limiter	183								●			
IQ Energy Sentinel	184				●				●			
<b>Modifications (Refer to Cutler-Hammer)</b>												
Special Calibration	186	●			●				●			●
Moisture Fungus Treatment	186	●			●				●			●
Freeze-Tested Circuit Breakers	186	●			●				●			●
Marine Application	186	●			●				●			●

■ Applicable in indicated pole position

□ May be mounted on left or right pole – not both

● Accessory available/Modification available

Series C® J-Frame



Typical Series C J-Frame Circuit Breaker

- All Series C J-frame Circuit Breakers are HACR rated.
- J-frame circuit breakers are available as individual components (Frame, Trip Unit, Terminals), or factory assembled complete breakers.
- J-frame circuit breakers with non-interchangeable trip units are suitable for reverse feed use.

Interrupting Capacity Ratings

UL489 Interrupting Capacity Ratings

Circuit Breaker Type	Number of Poles	Interrupting Capacity (Symmetrical Amperes) (kA)						Page Number
		Volts Ac (50/60 Hz)				Volts Dc		
		240	480	600	125	250 <sup>①②</sup>	500 <sup>③</sup>	
JDB	2, 3	65	35	18	—	10	—	39
JD	2, 3, 4	65	35	18	—	10	—	38
HJD	2, 3, 4	100	65	25	—	22	—	38
JDC	2, 3, 4	200	100	35	—	22	—	38

IEC 157-1 (P1) Interrupting Capacity Ratings

Circuit Breaker Type	Number of Poles	Interrupting Capacity (Symmetrical Amperes) (kA)						Page Number
		Volts Ac (50/60 Hz)					Volts Dc	
		240	380	415	600	125	250 <sup>①②</sup>	
JD	2, 3, 4	65	35	35	—	—	10	38
HJD	2, 3, 4	100	65	65	—	—	22	38
JDC	2, 3, 4	200	100	100	—	—	22	38

① 2-pole circuit breaker or two outside poles of 3-pole circuit breaker.  
 ② Time constant is 3 milliseconds minimum at 10 kA and 8 milliseconds minimum at 22 kA.  
 ③ 8 milliseconds time constant.

## Series C® J-Frame

## Types JD, HJD, and JDC Thermal-Magnetic Circuit Breakers with Interchangeable Trip Units

Maximum Continuous Ampere Rating @ 40°C	Standard Interrupting Capacity 600 Vac Rated 25 kAIC @ 480 Vac		High Interrupting Capacity 600 Vac Rated 65 kAIC @ 480 Vac		Ultra High Interrupting Capacity Current Limiting 600 Vac Rated 100 kAIC @ 480 Vac		Thermal Magnetic Trip Unit Only  For Use With: Standard or High or Ultra High Interrupting Frames	Standard Terminals Only  See Page 40 for Optional Terminals
	Factory Assembled Circuit Consisting of Frame, Trip Unit, and Terminals	Frame Only	Factory Assembled Circuit Consisting of Frame, Trip Unit, and Terminals	Frame Only	Factory Assembled Circuit Consisting of Frame, Trip Unit, and Terminals	Frame Only		
	Catalog Number							

## 2-Pole

70	JD2070	JD2250F	HJD2070	HJD2250F	JDC2070	JDC2250F	JT2070T	TA250KB <sup>①</sup>
90	JD2090		HJD2090		JDC2090		JT2090T	
100	JD2100		HJD2100		JDC2100		JT2100T	
125	JD2125		HJD2125		JDC2125		JT2125T	
150	JD2150		HJD2150		JDC2150		JT2150T	
175	JD2175		HJD2175		JDC2175		JT2175T	
200	JD2200		HJD2200		JDC2200		JT2200T	
225	JD2225		HJD2225		JDC2225		JT2225T	
250	JD2250		HJD2250		JDC2250		JT2250T	

## 3-Pole

70	JD3070	JD3250F	HJD3070	HJD3250F	JDC3070	JDC3250F	JT3070T	TA250KB <sup>①</sup>
90	JD3090		HJD3090		JDC3090		JT3090T	
100	JD3100		HJD3100		JDC3100		JT3100T	
125	JD3125		HJD3125		JDC3125		JT3125T	
150	JD3150		HJD3150		JDC3150		JT3150T	
175	JD3175		HJD3175		JDC3175		JT3175T	
200	JD3200		HJD3200		JDC3200		JT3200T	
225	JD3225		HJD3225		JDC3225		JT3225T	
250	JD3250		HJD3250		JDC3250		JT3250T	

4-Pole<sup>②③</sup>

70	JD4070	JD4250F	HJD4070	HJD4250F	JDC4070	JDC4250F	JT4070T	TA250KB <sup>①</sup>
90	JD4090		HJD4090		JDC4090		JT4090T	
100	JD4100		HJD4100		JDC4100		JT4100T	
125	JD4125		HJD4125		JDC4125		JT4125T	
150	JD4150		HJD4150		JDC4150		JT4150T	
175	JD4175		HJD4175		JDC4175		JT4175T	
200	JD4200		HJD4200		JDC4200		JT4200T	
225	JD4225		HJD4225		JDC4225		JT4225T	
250	JD4250		HJD4250		JDC4250		JT4250T	

Instruction Leaflet/FRED Number 29C103 for Breaker; 29C600 for Thermal Magnetic Trip Unit

① Individually packed.

② Fully rated neutral pole with no protection.

③ Neutral is in right pole.

**Type JDB Thermal-Magnetic Circuit Breakers with Non-Interchangeable Thermal-Magnetic Trip Units**

Maximum Continuous Ampere Rating @ 40°C	600 Vac Rated, 250 Vdc	
	Complete Circuit Breaker	
	Without Line and Load Terminals	With Standard Line and Load Terminals Only
	Catalog Number	

**2-Pole**

70	JDB2070W	JDB2070
90	JDB2090W	JDB2090
100	JDB2100W	JDB2100
125	JDB2125W	JDB2125
150	JDB2150W	JDB2150
175	JDB2175W	JDB2175
200	JDB2200W	JDB2200
225	JDB2225W	JDB2225
250	JDB2250W	JDB2250

**3-Pole**

70	JDB3070W	JDB3070
90	JDB3090W	JDB3090
100	JDB3100W	JDB3100
125	JDB3125W	JDB3125
150	JDB3150W	JDB3150
175	JDB3175W	JDB3175
200	JDB3200W	JDB3200
225	JDB3225W	JDB3225
250	JDB3250W	JDB3250

Instruction Leaflet/FRED Number 29C103 for Breaker

**Molded Case Switches**

Molded case switches are used as compact switches in applications requiring high current switching capabilities. Molded case switches are constructed of circuit breaker components and are of the high instantaneous automatic type. Molded case switches are listed in accordance with Underwriters Laboratories, Inc., Standard UL 1087.

Maximum Continuous Ampere Rating @ 40°C	600 Vac Maximum, 250 Vdc		Standard Terminals Only
	Complete Circuit Breaker Only Without Line and Load Terminals		
		Suitable for Reverse Feed Use	See page 40 for Optional Terminals
	Catalog Number		

**2-Pole**

250	JD2250WK	JDB2250WK	TA250KB①
-----	----------	-----------	----------

**3-Pole**

250	JD3250WK	JDB3250WK	TA250KB①
-----	----------	-----------	----------

**Note:** Molded case switches may open above 2500 amperes.

Instruction Leaflet/FRED Number 29C103

① Individually packed.

## Series C® J-Frame

### Line and Load Terminals

Line and load terminals provide wire connecting capabilities for specific ranges of continuous current ratings and wire types. All terminals comply with Underwriters Laboratories, Inc., Standards UL486A and UL486B and CSA Standard C22.2 No. 65, or Electrical Bulletin 1165. Unless otherwise specified, J-frame circuit breaker line and load terminals are shipped separately for field installation.

The bottom of the standard TA250KB terminal contains a recess which is positioned over the J-frame circuit breaker terminal conductor.

### Ordering Information

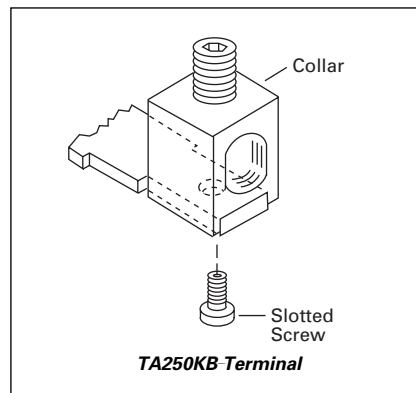
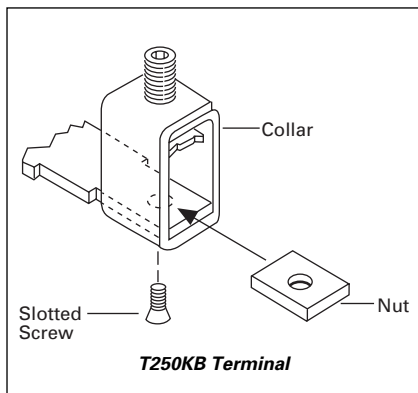
J-frame circuit breakers use Cu/Al terminals as standard. When optional copper-only terminals are required, order by catalog number. Specify if factory installation is required.

### Line and Load Terminals

Maximum Breaker Amperes	Terminal Body Material	Wire Type	AWG Wire Range/ No. Conductors	Metric Wire Range mm <sup>2</sup>	Catalog Numbers
-------------------------	------------------------	-----------	-----------------------------------	-----------------------------------	-----------------

#### Standard Cu/Al Pressure Terminals

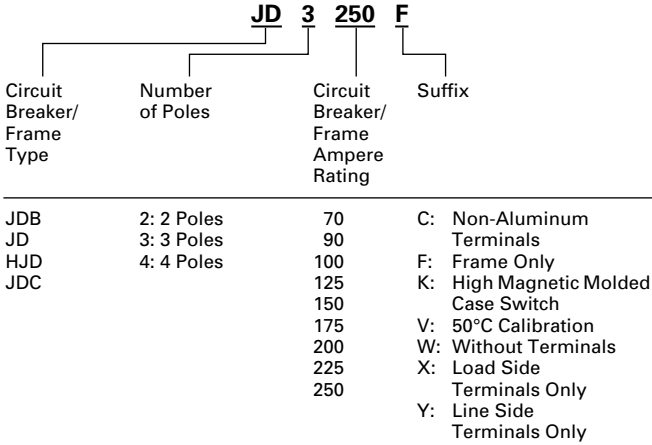
250 250	Aluminum Stainless Steel	Cu/Al Cu	#4-350 kcmil #4-350 kcmil	25-185 25-185	<b>TA250KB</b> <b>T250KB</b>
------------	-----------------------------	-------------	------------------------------	------------------	---------------------------------



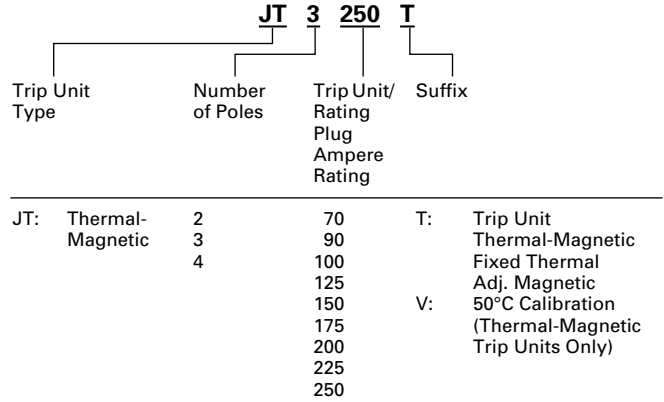
**Catalog Numbering System**

This information is presented only as an aid to understanding catalog numbers. It is not to be used to build catalog numbers for circuit breakers or trip units.

**Circuit Breaker/Frame Catalog Number**



**Trip Unit Catalog Number**



**Dimensions/Weights**

**Dimensions, Inches (mm)**

Number of Poles	Width	Height	Depth
2, 3	4.125 (105)	10 (255)	4.063 (103)
4	5.5 (140)	10 (254)	4.063 (103)

**Approximate Shipping Weight, Lbs. (kg)**

Breaker Type	Complete Breaker			Frame Only			Trip Unit①		
	Number of Poles								
	2	3	4	2	3	4	2	3	4
JDB	11.25 (5.103)	12.5 (5.670)	—	—	—	—	—	—	—
JD	11.25 (5.103)	12.5 (5.670)	13.25 (6.010)	9 (4.082)	10 (4.536)	10.5 (4.763)	2 (.907)	2 (.907)	2.25 (1.021)
HJD	11.25 (5.103)	12.5 (5.670)	13.25 (6.010)	9 (4.082)	10 (4.536)	10.5 (4.763)	2 (.907)	2 (.907)	2.25 (1.021)
JDC	12.25 (5.103)	13.5 (6.124)	14.25 (6.470)	10 (4.536)	11 (4.990)	11.5 (5.217)	2 (.907)	2 (.907)	2.25 (1.021)

## Series C® J-Frame

## Series C® J-Frame Allowable Accessory Combinations

Different combinations of accessories can be supplied, depending on the types of accessories and the number of poles in the circuit breaker.

	Reference Page	2-, 3-Pole			4-Pole				
		Left	Center	Right	Left	Center	Right	Neu.	
<b>Internal Accessories (Only One Internal Accessory Per Pole)</b>									
Alarm Lockout (Make/Break)	140			<input type="checkbox"/>		<input type="checkbox"/>		<input type="checkbox"/>	
Auxiliary Switch (1A, 1B)	142			■		■		■	
Auxiliary Switch (2A, 2B)	142			■		■		■	
Auxiliary Switch and Alarm Switch Combination	145			<input type="checkbox"/>		<input type="checkbox"/>		<input type="checkbox"/>	
Shunt Trip – Standard	148			■		■		■	
Shunt Trip – Low Energy	152			■		■		■	
Undervoltage Release Mechanism	155			■		■		■	
<b>External Accessories</b>									
End Cap Kit	161				●				●
Plug Nut	161				●				●
Control Wire Terminal Kit	162				●				●
Multiwire Connectors	162				●				●
Base Mounting Hardware	163				●				●
Terminal Shields	165				●				●
Interphase Barriers	166				●				●
Non-Padlockable Handle Block	168				■			■	
Padlockable Handle Block	168				■			■	
Padlockable Handle Lock Hasp	169			<input type="checkbox"/>		<input type="checkbox"/>		<input type="checkbox"/>	
Cylinder Lock	169			<input type="checkbox"/>		<input type="checkbox"/>		<input type="checkbox"/>	
Key Interlock Kit	170			<input type="checkbox"/>		<input type="checkbox"/>		<input type="checkbox"/>	
Sliding Bar Interlock – Requires Two Breakers	171				●				●
Electrical (Solenoid) Operator	172				●				●
Plug-in Adapters	174				●				●
Rear Connecting Studs	176				●				●
Panelboard Connecting Straps	177				●				●
Handle Mechanisms	178				●				●
Door Hardware/Accessories	182				●				●
Handle Extension	182				●				●
IQ Energy Sentinel	184				●				●
<b>Modifications (Refer to Cutler-Hammer)</b>									
Special Calibration	186				●				●
Moisture Fungus Treatment	186				●				●
Freeze-Tested Circuit Breakers	186				●				●
Marine/Naval Application	186				●				●

■ Applicable in indicated pole position

May be mounted on left or right pole – not both

● Accessory available/Modification available

Series C® K-Frame



Typical Series C K-Frame Circuit Breaker

- All Series C K-frame Circuit Breakers are HACR rated.
- K-frame circuit breakers are available as individual components (Frame, Trip Unit, Terminals), or factory assembled complete breakers. OPTIM circuit breakers are available as factory assembled only.
- K-frame circuit breakers with non-interchangeable trip units are suitable for reverse feed use.

Interrupting Capacity Ratings

NEMA/UL489/CSA Interrupting Capacity Ratings

Circuit Breaker Type	Number of Poles	Interrupting Capacity (Symmetrical Amperes) (kA)					Page Number
		Volts Ac (50/60Hz)				Volts Dc	
		240	277	480	600	250 <sup>②③</sup>	
DK	2, 3	65	—	—	—	10	47
KDB	2, 3, 4	65	—	35	25	10	47
KD	2, 3, 4	65	—	35	25	10	45, 46, 49
HKD	2, 3, 4	100	—	65	35	22	45, 46, 49
KDC	2, 3, 4	200	—	100	50	22	45, 46, 49
CKD	3	65	—	35	25	10	48, 50
CHKD	3	100	—	65	35	22	48, 50

IEC 157-1 (P1) Interrupting Capacity Ratings

Circuit Breaker Type	Number of Poles	Interrupting Capacity (Symmetrical Amperes) (kA)						Page Number
		Volts Ac (50/60Hz)						
		240	380	415	440	500	600	
DK	2, 3	65	—	—	—	—	10	47
KDB	2, 3, 4	65	40	40	—	—	10	47
KD	2, 3, 4	65	40	40	—	—	10	45, 46, 49
HKD	2, 3, 4	100	65	65	—	—	22	45, 46, 49
KDC	2, 3, 4	200	100	100	—	—	22	45, 46, 49

① Weights shown are for thermal magnetic trip units. 3-pole electronic trip units weigh 2.5 lbs. (1.134 kg).  
 ② 2-pole circuit breaker or two outside poles of 3-pole circuit breaker.  
 ③ Time constant is 3 milliseconds minimum at 10 kA and 8 milliseconds minimum at 22 kA.



## Series C® K-Frame

## K-Frame Digitrip Selection Guide

Trip Unit Type	Digitrip RMS 310		Digitrip OPTIM 550
RMS Sensing	Yes		Yes
<b>Breaker Type</b>			
Frame	K		K
Ampere Range	70-400A		70-400A
Interrupting Rating at 480V	35, 65, 100 (kA)		35, 65, 100 (kA)
<b>Protection</b>			
Ordering Options	LS, LSG	LSI, LSIG	LSI, LSI(A), LSIG
Fixed Rated Plug ( $I_n$ )	Yes	Yes	Yes
Overtemperature Trip	Yes	Yes	Yes
<b>Long Delay Protection (L)</b>			
Adjustable Rating Plug ( $I_n$ )	Yes	Yes	No
Long Delay Pickup	0.5-1.0 ( $I_n$ ) <sup>①</sup>	0.5-1.0 ( $I_n$ ) <sup>①</sup>	0.4-1.0 x ( $I_n$ )
Long Delay Time I <sup>2</sup> T	12 Seconds	12 Seconds	2-24 Seconds
Long Delay Time I <sup>4</sup> T	No	No	1-5 Seconds
Long Delay Thermal Memory	Yes	Yes	Yes
High Load Alarm	No	No	0.5-1.0 x $I_r$
<b>Short Delay Protection (S)</b>			
Short Delay Pickup	200-800% x ( $I_n$ )	200-800% x ( $I_n$ )	150-800% x ( $I_n$ )
Short Delay Time I <sup>2</sup> T	100 ms	No	100-500 ms
Short Delay Time Flat	No	Inst-300 ms	100-500 ms
Short Delay Time Zone Selective Interlocking	No	No	No
<b>Instantaneous Protection (I)</b>			
Instantaneous Pickup	No	200-800% x ( $I_n$ )	200-800% x ( $I_n$ )
Discriminator	No	No	Yes
Instantaneous Override	Yes	Yes	Yes
<b>Ground Fault Protection (G)</b>			
Ground Fault Alarm	No	No	20-100% x ( $I_s$ )
Ground Fault Pickup	Varies by Frame	Varies by Frame	20-100% x ( $I_s$ )
Ground Fault Delay I <sup>2</sup> T	No	No	100-500 ms
Ground Fault Delay Flat	Inst-500 ms	Inst-500 ms	100-500 ms
Ground Fault Zone Selective Interlocking	No	No	No
Ground Fault Thermal Memory	Yes	Yes	Yes
<b>System Diagnostics</b>			
Status LEDs	Yes	Yes	Yes
Cause of Trip LEDs	No	No	Yes
Magnitude of Trip Information	No	No	Yes
Remote Signal Contact – Ground Alarm	Yes	Yes	No
Local Auxiliary and Bell Alarm Contact	Optional	Optional	Optional
<b>System Monitoring</b>			
Digital Display	No	No	Yes <sup>②</sup>
Current	No	No	Yes
Power and Energy	No	No	No
Power Quality-Harmonics	No	No	No
Power Factor	No	No	No
<b>Communications</b>			
Cutler-Hammer PowerNet	No	No	No <sup>③</sup>
<b>Testing</b>			
Testing Method	Test Set		OPTIMizer, BIM, Cutler-Hammer PowerNet

① Adjust by rating plug.

② By OPTIMizer/BIM.

③ Cutler-Hammer PowerNet kit for field upgrade.

BIM = Breaker Interface Module

(A) = GF Alarm

 $I_s$  = Sensor Rating $I_n$  = Rating Plug $I_r$  = Long Delay Pickup Setting

Series C® K-Frame

Types KD, HKD, and KDC Thermal-Magnetic Circuit Breakers with Interchangeable Trip Units

Maximum Continuous Ampere Rating @ 40°C	Standard Interrupting Capacity 600 Vac Rated 35 kAIC @ 480 Vac		High Interrupting Capacity 600 Vac Rated 65 kAIC @ 480 Vac		Ultra High Interrupting Capacity Current Limiting 600 Vac Rated 100 kAIC @ 480 Vac		Thermal Magnetic Trip Unit Only  For Use With: Standard or High or Ultra High Interrupting Frames	Standard Terminals Only  See Page 51 for Optional Terminals
	Factory Assembled Circuit Consisting of Frame, Trip Unit, and Terminals	Frame Only	Factory Assembled Circuit Consisting of Frame, Trip Unit, and Terminals	Frame Only	Factory Assembled Circuit Consisting of Frame, Trip Unit, and Terminals	Frame Only		
	Catalog Number							

2-Pole

100	KD2100	KD2400F	HKD2100	HKD2400F	KDC2100	KDC2400F	KT2100T	TA300K①
125	KD2125		HKD2125		KDC2125		KT2125T	TA300K①
150	KD2150		HKD2150		KDC2150		KT2150T	TA300K①
175	KD2175		HKD2175		KDC2175		KT2175T	TA300K①
200	KD2200		HKD2200		KDC2200		KT2200T	TA300K①
225	KD2225		HKD2225		KDC2225		KT2225T	TA300K①
250	KD2250		HKD2250		KDC2250		KT2250T	TA350K①
300	KD2300		HKD2300		KDC2300		KT2300T	TA350K①
350	KD2350		HKD2350		KDC2350		KT2350T	TA350K①
400	KD2400		HKD2400		KDC2400		KT2400T	2TA400K②

3-Pole

100	KD3100	KD3400F	HKD3100	HKD3400F	KDC3100	KDC3400F	KT3100T	TA300K①
125	KD3125		HKD3125		KDC3125		KT3125T	TA300K①
150	KD3150		HKD3150		KDC3150		KT3150T	TA300K①
175	KD3175		HKD3175		KDC3175		KT3175T	TA300K①
200	KD3200		HKD3200		KDC3200		KT3200T	TA300K①
225	KD3225		HKD3225		KDC3225		KT3225T	TA300K①
250	KD3250		HKD3250		KDC3250		KT3250T	TA350K①
300	KD3300		HKD3300		KDC3300		KT3300T	TA350K①
350	KD3350		HKD3350		KDC3350		KT3350T	TA350K①
400	KD3400		HKD3400		KDC3400		KT3400T	3TA400K②

4-Pole

100	KD4100	KD4400F	HKD4100	HKD4400F	KDC4100	KDC4400F	KT3100T	TA300K①
125	KD4125		HKD4125		KDC4125		KT3125T	TA300K①
150	KD4150		HKD4150		KDC4150		KT3150T	TA300K①
175	KD4175		HKD4175		KDC4175		KT3175T	TA300K①
200	KD4200		HKD4200		KDC4200		KT3200T	TA300K①
225	KD4225		HKD4225		KDC4225		KT3225T	TA300K①
250	KD4250		HKD4250		KDC4250		KT3250T	TA350K①
300	KD4300		HKD4300		KDC4300		KT3300T	TA350K①
350	KD4350		HKD4350		KDC4350		KT3350T	TA350K①
400	KD4400		HKD4400		KDC4400		KT3400T	4TA400K②

Instruction Leaflet/FRED Number 29C104 for Breaker; 29C603 for Thermal Magnetic Trip Unit

① Individually packed.  
② 2TA400K, 3TA400K, and 4TA400K terminal kits contain one terminal for each pole and one terminal cover.

Series C® K-Frame

**Types KD, HKD, and KDC Electronic Circuit Breakers with Interchangeable Trip Units**

Order as individual components: Breaker Frame, Trip Unit, Rating Plug, Terminals.

Maximum Continuous Ampere Rating @ 40°C <sup>①</sup>	Circuit Breaker Frame Only			Digitrip RMS 310 Trip Unit Only <sup>②</sup>				Digitrip 310 Rating Plug Only			Standard Terminals Only  See Page 51 for Optional Terminals
	Standard Interrupting Capacity 600 Vac Rated 35 kAIC @ 480 Vac	High Interrupting Capacity 600 Vac Rated 65 kAIC @ 480 Vac	Ultra High Interrupting Capacity Current Limiting 600 Vac Rated 100 kAIC @ 480 Vac	Standard	Options			Ampere Rating	Fixed Rating Plug	Adjustable Rating Plugs  Ampere Rating Catalog Number	
				Adjustable Short Time Delay with I <sup>2</sup> t Short Delay Ramp	Independently Adjustable Short Time Pickup and Delay	Adjustable Short Time Pickup with I <sup>2</sup> t Short Delay and Ground Fault Protection	Independently Adjustable Short Time Pickup and Delay and Ground Fault Protection				
Catalog Number											

**3-Pole<sup>③</sup>**

125	KD3400F	HKD3400F	KDC3400F	KES3125LS	KES3125LSI	KES3125LSG	KES3125LSIG	70 90 100 110 125	1KES070T 1KES090T 1KES100T 1KES110T 1KES125T	70/90/100/125 A1KES125T1	TA300K <sup>④</sup>
250	KD3400F	HKD3400F	KDC3400F	KES3250LS	KES3250LSI	KES3250LSG	KES3250LSIG	70 100 125 150 160 175 200 225 250	2KES070T 2KES100T 2KES125T 2KES150T 2KES160T 2KES175T 2KES200T 2KES225T 2KES250T	125/150/200/250 A2KES250T1	TA300K <sup>④</sup>
400	KD3400F	HKD3400F	KDC3400F	KES3400LS	KES3400LSI	KES3400LSG	KES3400LSIG	200 225 250 300 350 400	4KES200T 4KES225T 4KES250T 4KES300T 4KES350T 4KES400T	200/250/300/400 A4KES400T1	TA300K <sup>④</sup> TA300K <sup>④</sup> TA300K <sup>④</sup> TA300K <sup>④</sup> TA350K <sup>④</sup> 3TA400K <sup>④</sup>

**4-Pole<sup>⑥⑦</sup>**

125	KD4400F	HKD4400F	KDC4400F	KES4125LS	KES4125LSI	-	-	70 90 100 110 125	1KES070T 1KES090T 1KES100T 1KES110T 1KES125T	70/90/100/125 A1KES125T1	TA300K <sup>④</sup>
250	KD4400F	HKD4400F	KDC4400F	KES4250LS	KES4250LSI	-	-	70 100 125 150 160 175 200 225 250	2KES070T 2KES100T 2KES125T 2KES150T 2KES160T 2KES175T 2KES200T 2KES225T 2KES250T	125/150/200/250 A2KES250T1	TA300K <sup>④</sup>
400	KD4400F	HKD4400F	KDC4400F	KES4400LS	KES4400LSI	-	-	200 225 250 300 350 400	4KES200T 4KES225T 4KES250T 4KES300T 4KES350T 4KES400T	200/250/300/400 A4KES400T1	TA300K <sup>④</sup> TA300K <sup>④</sup> TA300K <sup>④</sup> TA300K <sup>④</sup> TA350K <sup>④</sup> 3TA400K <sup>④</sup>

Instruction Leaflet/FRED Number 29C104 for Breaker; 29C614 for Electronic Trip Unit

① Ampere rating is established by rating plug.  
 ② For Ac use only.  
 ③ 3-pole KES Trip Units are for use in 3-pole frames only.  
 ④ Individually packed.

⑤ 3TA400K and 4TA400K terminal kits contain one terminal for each pole and one terminal cover.  
 ⑥ Trip unit includes protected neutral pole. Use corresponding 3-pole trip unit if protected neutral pole is not required.

⑦ Fully rated neutral pole protection is standard. For 50% rated protection on neutral pole, add suffix E to 4-pole trip unit catalog number.

Series C® K-Frame

Types DK and KDB Thermal-Magnetic Circuit Breakers with Non-Interchangeable Trip Units

Maximum Continuous Ampere Rating @ 40°C	240 Vac Rated, 250 Vdc		
	Complete Circuit Breaker		
	Without Line and Load Terminals	With Line Terminals Only	With Standard Line and Load Terminals Only
	Catalog Number		

2-Pole

100	-	-	-
125	-	-	-
150	-	-	-
175	-	-	-
200	-	-	-
225	-	-	-
250	DK2250W	DK2250Y	DK2250
300	DK2300W	DK2300Y	DK2300
350	DK2350W	DK2350Y	DK2350
400	DK2400W	DK2400Y	DK2400

3-Pole

100	-	-	-
125	-	-	-
150	-	-	-
175	-	-	-
200	-	-	-
225	-	-	-
250	DK3250W	DK3250Y	DK3250
300	DK3300W	DK3300Y	DK3300
350	DK3350W	DK3350Y	DK3350
400	DK3400W	DK3400Y	DK3400

Maximum Continuous Ampere Rating @ 40°C	600 Vac Rated, 250 Vdc	
	Complete Circuit Breaker	
	Without Line and Load Terminals	With Standard Line and Load Terminals
	Catalog Number	

2-Pole

100	KDB2100W	KDB2100
125	KDB2125W	KDB2125
150	KDB2150W	KDB2150
175	KDB2175W	KDB2175
200	KDB2200W	KDB2200
225	KDB2225W	KDB2225
250	KDB2250W	KDB2250
300	KDB2300W	KDB2300
350	KDB2350W	KDB2350
400	KDB2400W	KDB2400

3-Pole

100	KDB3100W	KDB3100
125	KDB3125W	KDB3125
150	KDB3150W	KDB3150
175	KDB3175W	KDB3175
200	KDB3200W	KDB3200
225	KDB3225W	KDB3225
250	KDB3250W	KDB3250
300	KDB3300W	KDB3300
350	KDB3350W	KDB3350
400	KDB3400W	KDB3400

Instruction Leaflet/FRED Number 29C104

Molded Case Switches

Molded case switches are used as compact switches in applications requiring high current switching capabilities. Molded case switches are constructed of circuit breaker components and are of the high instantaneous automatic type. Molded case switches are listed in accordance with Underwriters Laboratories, Inc., Standard UL 1087.

Maximum Continuous Ampere Rating @ 40°C	240 Vac Maximum, 250 Vdc	600 Vac Maximum, 250 Vdc	600 Vac Maximum, 250 Vdc
	Complete Circuit Breaker with Standard Line and Load Terminals	Complete Circuit Breaker with Standard Line and Load Terminals	Complete Circuit Breaker with Standard Line and Load Terminals. Suitable for Reverse Feed Use
	Catalog Number		

2-Pole

400	DK2400K	KD2400K	KDB2400K
-----	---------	---------	----------

3-Pole

400	DK3400K	KD3400K	KDB3400K
-----	---------	---------	----------

4-Pole

400	-	KD4400K	-
-----	---	---------	---

**Note:** Molded case switches may open above 4000 amperes.

Instruction Leaflet/FRED Number 29C104

## Series C® K-Frame

## 100% Rated Types CKD and CHKD Electronic Circuit Breakers

The NEC allows the breaker to be rated at 100% of its frame size in an assembly, provided that 90°C wire is applied at the 75°C ampacity. All 100% rated circuit breakers have electronic trip units.

Maximum Continuous Ampere Rating @ 40°C	Circuit Breaker Frame Only		Digitrip RMS 310 Trip Unit Only				Digitrip 310 Rating Plug Only			Standard Terminals Only  See Page 51 for Optional Terminals
	Standard Interrupting Capacity  35 kAIC @ 480 Vac	High Interrupting Capacity  65 kAIC @ 480 Vac	Standard	Options			Ampere Rating	Fixed Rating Plug	Adjustable Rating Plug	
			Adjustable Short Time Delay with I <sup>2</sup> t Short Delay Ramp	Independently Adjustable Short Time Pickup and Delay	Adjustable Short Time Pickup with I <sup>2</sup> t Short Delay and Ground Fault Protection	Independently Adjustable Short Time Pickup and Delay and Ground Fault Protection			Ampere Rating Catalog Number	
Catalog Number										

### 3-Pole

125	CKD3400F	CHKD3400F	KES3125LS	KES3125LSI	KES3125LSG	KES3125LSIG	70 90 100 110 125	1KES070T 1KES090T 1KES100T 1KES110T 1KES125T	70/90/100/125 A1KES125T1	TA300K <sup>④</sup>
250	CKD3400F	CHKD3400F	KES3250LS	KES3250LSI	KES3250LSG	KES3250LSIG	70 100 125 150 160 175 200 225 250	2KES070T 2KES100T 2KES125T 2KES150T 2KES160T 2KES175T 2KES200T 2KES225T 2KES250T	125/150/200/250 A2KES250T1	TA300K <sup>④</sup>
400	CKD3400F	CHKD3400F	KES3400LS	KES3400LSI	KES3400LSG	KES3400LSIG	200 225 250 300 350 400	4KES200T 4KES225T 4KES250T 4KES300T 4KES350T 4KES400T	200/250/300/400 A4KES400T1	TA300K <sup>④</sup> TA300K <sup>④</sup> TA300K <sup>④</sup> TA300K <sup>④</sup> TA350K <sup>④</sup> 3TA400K <sup>④</sup>

Instruction Leaflet/FRED Number 29C104 for Breaker; 29C614 for KES Trip Unit

① Individually packed.

② TA400K, T400K and TA401K terminal kits contain one terminal for each pole and one terminal cover.

**Digitrip OPTIM 550 Electronic Circuit Breakers with Interchangeable Rating Plug**

Order as individual components: Breaker Frame (which includes Trip Unit), Rating Plug, Terminals.

Maximum Continuous Ampere Rating @ 40°C	Circuit Breaker Frame Only			Digitrip OPTIM Rating Plug Only	
	L – Adjustable Long Delay Pickup ( $I_L$ ) with Adjustable Long Delay Time ( $I^2t$ or $I^4t$ Response)Ⓛ S – Adjustable Short Delay Pickup with Adjustable Short Delay Time ( $I^2t$ or Flat Response) I – Adjustable Instantaneous Pickup G – Adjustable Ground Fault Pickup with Adjustable Ground Fault Time ( $I^2t$ or Flat Response) A – Adjustable Ground Fault Alarm with Adjustable Ground Fault Time ( $I^2t$ or Flat Response)			Ampere Rating	Fixed Rating Plug
	OPTIM 550				
	LSI	LSIG	LSIA		
Catalog Number					

**3-Pole Standard Interrupting Capacity 600 Volt Ac Rated 35 kAIC @ 480 Vac**

125	KD3125T52W	KD3125T56W	KD3125T57W	70 90 100 110 125	ORPK125A070 ORPK125A090 ORPK125A100 ORPK125A110 ORPK125A125
250	KD3250T52W	KD3250T56W	KD3250T57W	125 150 175 200 225 250	ORPK025A125 ORPK025A150 ORPK025A175 ORPK025A200 ORPK025A225 ORPK025A250
400	KD3400T52W	KD3400T56W	KD3400T57W	200 225 250 300 350 400	ORPK40A200 ORPK40A225 ORPK40A250 ORPK40A300 ORPK40A350 ORPK40A400

**3-Pole High Interrupting Capacity 600 Volt Ac Rated 65 kAIC @ 480 Vac**

125	HKD3125T52W	HKD3125T56W	HKD3125T57W	70 90 100 110 125	ORPK125A070 ORPK125A090 ORPK125A100 ORPK125A110 ORPK125A125
250	HKD3250T52W	HKD3250T56W	HKD3250T57W	125 150 175 200 225 250	ORPK025A125 ORPK025A150 ORPK025A175 ORPK025A200 ORPK025A225 ORPK025A250
400	HKD3400T52W	HKD3400T56W	HKD3400T57W	200 225 250 300 350 400	ORPK40A200 ORPK40A225 ORPK40A250 ORPK40A300 ORPK40A350 ORPK40A400

**3-Pole Ultra High Interrupting Capacity Current Limiting 600 Volt Ac Rated 100 kAIC @ 480 Vac**

125	KDC3125T52W	KDC3125T56W	KDC3125T57W	70 90 100 110 125	ORPK125A070 ORPK125A090 ORPK125A100 ORPK125A110 ORPK125A125
250	KDC3250T52W	KDC3250T56W	KDC3250T57W	125 150 175 200 225 250	ORPK025A125 ORPK025A150 ORPK025A175 ORPK025A200 ORPK025A225 ORPK025A250
400	KDC3400T52W	KDC3400T56W	KDC3400T57W	200 225 250 300 350 400	ORPK40A200 ORPK40A225 ORPK40A250 ORPK40A300 ORPK40A350 ORPK40A400

Instruction Leaflet/FRED Number 29C104

Ⓛ Long delay  $I^4t$  response selection limits short delay time to flat response.

## Series C® K-Frame

## 100% Rated Digitrip OPTIM 550 Electronic Circuit Breakers with Interchangeable Rating Plug

Order as individual components: Breaker Frame (which includes Trip Unit), Rating Plug, Terminals.

Maximum Continuous Ampere Rating @ 40°C	Circuit Breaker Frame Only			Digitrip OPTIM Rating Plug Only	
	L – Adjustable Long Delay Pickup ( $I_L$ ) with Adjustable Long Delay Time ( $I^2t$ or $I^4t$ Response)① S – Adjustable Short Delay Pickup with Adjustable Short Delay Time ( $I^2t$ or Flat Response) I – Adjustable Instantaneous Pickup G – Adjustable Ground Fault Pickup with Adjustable Ground Fault Time ( $I^2t$ or Flat Response) A – Adjustable Ground Fault Alarm with Adjustable Ground Fault Time ( $I^2t$ or Flat Response)			Ampere Rating	Fixed Rating Plug
	OPTIM 550				
	LSI	LSIG	LSIA		
Catalog Number					

### 3-Pole Standard Interrupting Capacity 600 Volt Ac Rated 35 kAIC @ 480 Vac

Rating	CKD3125T52W	CKD3125T56W	CKD3125T57W	Ampere Rating	Fixed Rating Plug
125				70 90 100 110 125	ORPK125A070 ORPK125A090 ORPK125A100 ORPK125A110 ORPK125A125
250	CKD3250T52W	CKD3250T56W	CKD3250T57W	125 150 175 200 225 250	ORPK025A125 ORPK025A150 ORPK025A175 ORPK025A200 ORPK025A225 ORPK025A250
400	CKD3400T52W	CKD3400T56W	CKD3400T57W	200 225 250 300 350 400	ORPK40A200 ORPK40A225 ORPK40A250 ORPK40A300 ORPK40A350 ORPK40A400

### 3-Pole High Interrupting Capacity 600 Volt AC Rated 65 kAIC @ 480 Vac

Rating	CHKD3125T52W	CHKD3125T56W	CHKD3125T57W	Ampere Rating	Fixed Rating Plug
125				70 90 100 110 125	ORPK125A070 ORPK125A090 ORPK125A100 ORPK125A110 ORPK125A125
250	CHKD3250T52W	CHKD3250T56W	CHKD3250T57W	125 150 175 200 225 250	ORPK025A125 ORPK025A150 ORPK025A175 ORPK025A200 ORPK025A225 ORPK025A250
400	CHKD3400T52W	CHKD3400T56W	CHKD3400T57W	200 225 250 300 350 400	ORPK40A200 ORPK40A225 ORPK40A250 ORPK40A300 ORPK40A350 ORPK40A400

Instruction Leaflet/FRED Number 29C104

① Long delay  $I^4t$  response selection limits short delay time to flat response.

Series C® K-Frame

Line and Load Terminals

Line and load terminals provide wire connecting capabilities for specific ranges of continuous current ratings and wire types. All terminals comply with Underwriters Laboratories, Inc., Standards UL486A and UL486B

and CSA Standard C22.2 No. 65, or Electrical Bulletin 1165. Unless otherwise specified, K-frame circuit breaker line and load terminals are shipped separately for field installation.

Ordering Information

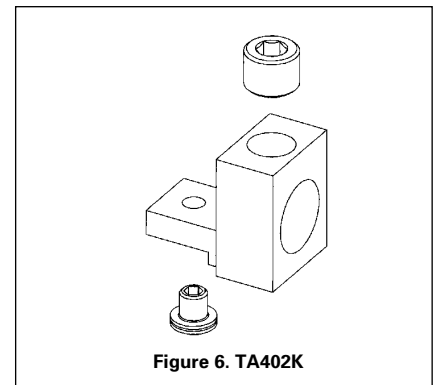
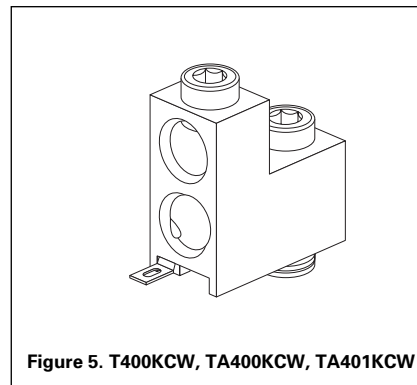
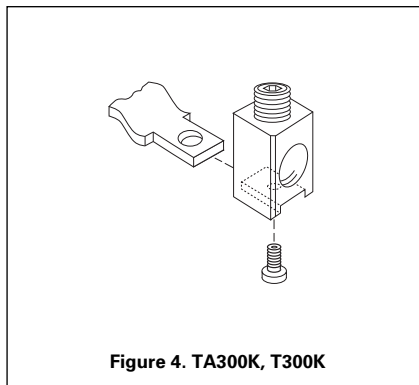
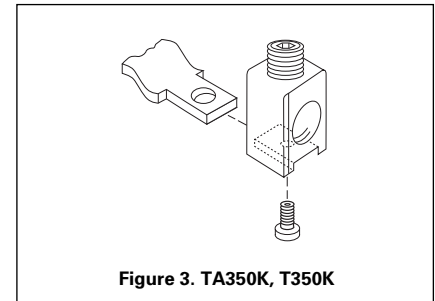
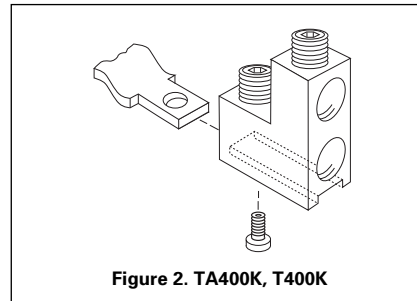
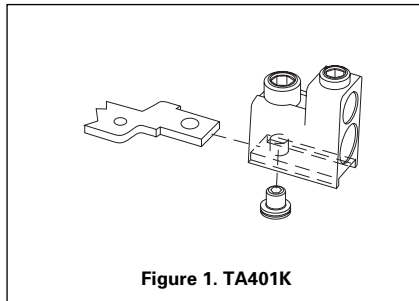
K-frame circuit breakers use Cu/Al terminals as standard. When optional copper or Cu/Al terminals are required, order by catalog number. Specify if factory installation is required.

Line and Load Terminals

Maximum Breaker Amperes	Terminal Body Material	Wire Type	AWG Wire Range/ No. Conductors	Metric Wire Range mm <sup>2</sup>	Terminal Catalog Number	Figure	Terminals with Control Wire Termination Catalog Number	Figure
<b>Standard Cu/Al Pressure Terminals</b>								
225	Aluminum	Cu/Al	3-350/(1)	35-185	TA300K <sup>①</sup>	4	—	—
350	Aluminum	Cu/Al	250-500/(1)	120-240	TA350K <sup>①</sup>	3	—	—
400	Aluminum	Cu/Al	3/0-250/(2)	95-120	2TA400K <sup>④</sup>	2	2TA400KCW <sup>④</sup>	5
					3TA400K <sup>⑤</sup>	2	3TA400KCW <sup>⑤</sup>	5
					4TA400K <sup>⑥</sup>	2	4TA400KCW <sup>⑥</sup>	5

Optional Copper and Cu/Al Pressure Type Terminals

225	Copper	Cu	3-350/(1)	35-185	T300K <sup>①</sup>	4	—	—
350	Copper	Cu	250-500/(1)	120-240	T350K <sup>①</sup>	3	—	—
400	Copper	Cu	3/0-250/(2)	95-120	2T400K <sup>④</sup>	2	2T400KCW <sup>④</sup>	5
					3T400K <sup>⑤</sup>	2	3T400KCW <sup>⑤</sup>	5
					4T400K <sup>⑥</sup>	2	4T400KCW <sup>⑥</sup>	5
400	Aluminum	Cu/Al	2/0-250/(2)	70-120	2TA401K <sup>④</sup>	1	2TA401KCW <sup>④</sup>	5
			or	70-240	3TA401K <sup>⑤</sup>	1	3TA401KCW <sup>⑤</sup>	5
			2/0-500/(1)	70-240	4TA401K <sup>⑥</sup>	1	4TA401KCW <sup>⑥</sup>	5
400	Aluminum	Cu/Al	500-750/(1)	300-400	TA402K	6	—	—



See page 53 for other termination accessories.

- ① Individually packed.
- ② Terminal kits contain one terminal for each pole and one terminal cover.
- ③ Terminal kits contain one terminal for each pole and three interphase barriers.

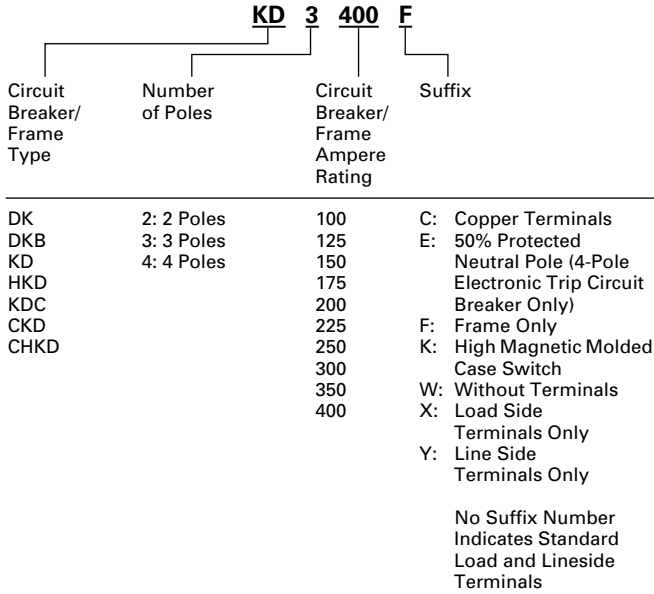
- ④ 2-Pole Kit.
- ⑤ 3-Pole Kit.
- ⑥ 4-Pole Kit.



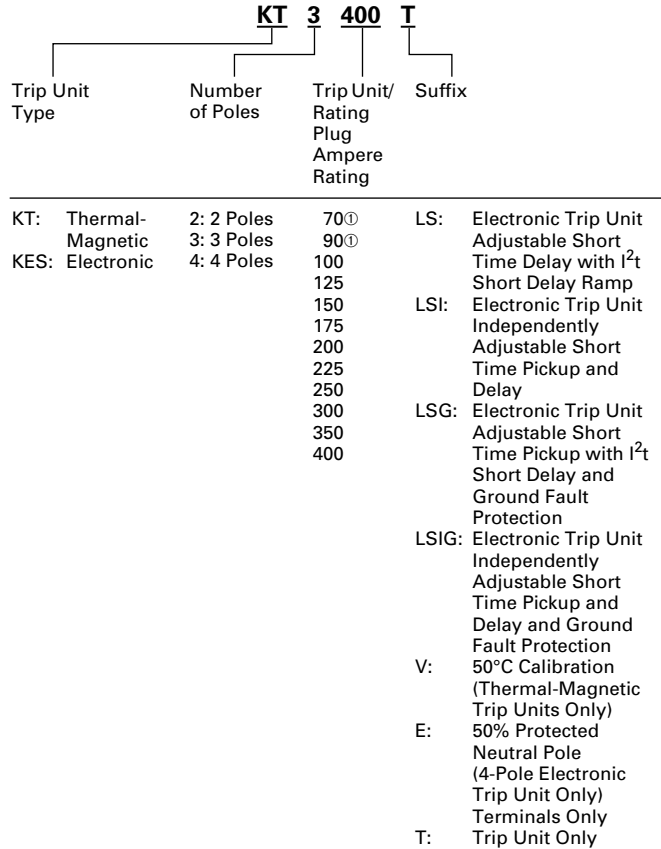
**Catalog Numbering System**

This information is presented only as an aid to understanding catalog numbers. It is not to be used to build catalog numbers for circuit breakers or trip units.

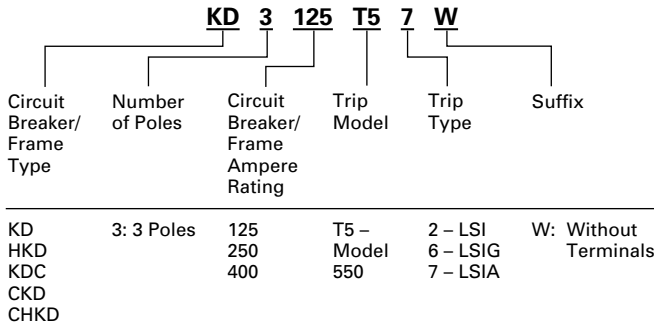
**Circuit Breaker/Frame Catalog Number**



**Trip Unit Catalog Number**



**OPTIM Circuit Breaker/Frame Catalog Number**



**Dimensions/Weights**

**Dimensions, Inches (mm)**

Number of Poles	Width	Height	Depth
2, 3	5.5 (140)	10.125 (257)	4.063 (103)
4	7.219 (183)	10.125 (257)	4.063 (103)

**Approximate Shipping Weight, Lbs. (kg)**

Breaker Type	Complete Breaker		Frame Only		Trip Unit①	
	Number of Poles					
	2	3	2	3	2	3
DK	10 (4.536)	11.5 (5.216)	–	–	–	–
KDB	10 (4.536)	11.5 (5.216)	–	–	–	–
KD	10 (4.536)	11.5 (5.216)	7.5 (3.402)	8.5 (3.856)	1.5 (.680)	1.5 (.680)
HKD	10 (4.536)	11.5 (5.216)	7.5 (3.402)	8.5 (3.856)	1.5 (.680)	1.5 (.680)
KDC	10 (4.536)	11.5 (5.216)	7.5 (3.402)	8.5 (3.856)	1.5 (.680)	1.5 (.680)

① Ampere rating available with electronic trip unit only.

### Allowable Accessory Combinations

Different combinations of accessories can be supplied, depending on the types of accessories and the number of poles in the circuit breaker.

	Reference Page	2-Pole <sup>①</sup>		3-Pole			4-Pole			
		Left	Right	Left	Center	Right	Left	Center	Right	Neu.
<b>Internal Accessories (Only One Internal Accessory Per Pole)</b>										
Alarm Lockout (Make/Break)	140		■	□		□		■		
Alarm Lockout (2Make/2Break)	140			□		□		■		
Auxiliary Switch (1A, 1B)	143		■	■		■		■		■
Auxiliary Switch (2A, 2B)	143			■		■		■		■
Auxiliary Switch (3A, 3B)	143			■		■		■		■
Auxiliary Switch and Alarm Switch Combination	145			□		□		□		□
Shunt Trip – Standard	149		■	■		■		■		■
Shunt Trip – Low Energy	152			■		■		■		
Undervoltage Release Mechanism	156		■	■		■		■		
Cutler-Hammer PowerNet Communications Kit (OPTIM 550)	160					■				

**External Accessories**

End Cap Kit	161		●			●				●
Keeper Nut	161		●			●				●
Control Wire Terminal Kit	162		●			●				●
Multewire Connectors	162		●			●				●
Base Mounting Hardware	163		●			●				●
Terminal Shields	165		●			●				●
Interphase Barriers	166		●			●				●
Non-Padlockable Handle Block	168	■				■			■	
Padlockable Handle Block	168					■				
Padlockable Handle Lock Hasp	169		■	□		□		□		□
Cylinder Lock	169	□	□	□		□				
Key Interlock Kit	170	■	□	□		□		□		□
Sliding Bar Interlock – Requires Two Breakers	171					●				
Walking Beam Interlock – Requires Two Breakers	171					●				●
Electrical (Solenoid) Operator	172					●				●
Plug-in Adapters	174		●			●				●
Rear Connecting Studs	176		●			●				●
Panelboard Connecting Straps	177		●			●				●
Handle Mechanisms	178		●			●				●
Door Hardware/Accessories	182		●			●				●
Handle Extension	182		●			●				●
IQ Energy Sentinel	184					●				●
Solid-State (Electronic) Portable Test Kit	184		●			●				●

**OPTIM System Components 3-Poles**

Breaker Interface Module (BIM)	185									
Digitrip OPTImizer	185									
Auxiliary Power Module	185									
Cutler-Hammer PowerNet Software	185									

**Modifications (Refer to Cutler-Hammer)**

Special Calibration	186		●			●				●
Moisture Fungus Treatment	186		●			●				●
Freeze-Tested Circuit Breakers	186		●			●				●
Marine Application	186		●			●				●

■ Applicable in indicated pole position      □ May be mounted on left or right pole – not both      ● Accessory available/Modification available

① 2-pole breaker supplied in 3-pole frame. Current carrying parts omitted from center pole.



Series C® L-Frame



Typical Series C L-Frame Circuit Breaker

- All Series C L-frame circuit breakers are HACR rated.
- L-frame circuit breakers are available as individual components (Frame, Trip Unit, Terminals), or factory assembled complete breakers. OPTIM circuit breakers are available as factory assembled only.
- L-frame circuit breakers with non-interchangeable trip units are suitable for reverse feed use.

Interrupting Capacity Ratings

UL489 Interrupting Capacity Ratings<sup>①</sup>

Circuit Breaker Type	Number of Poles	Interrupting Capacity (RMS Symmetrical Amperes) (kA)							Page Number
		Volts Ac (50/60 Hz)					Volts Dc		
		240	277	480	600	125	250 <sup>②③</sup>	500	
LDB	2, 3	65	—	35	25	—	22	—	58
LD	2, 3, 4	65	—	35	25	—	22	—	57, 59
CLD	2, 3, 4	65	—	35	25	—	22	—	58, 61
HLD	2, 3, 4	100	—	65	35	—	25	—	57, 59
CHLD <sup>④</sup>	2, 3, 4	100	—	65	35	—	25	—	61
LDC	2, 3, 4	200	—	100	50	—	30	—	57, 60
CLDC <sup>④</sup>	2, 3, 4	200	—	100	50	—	30	—	62

IEC 947-2 Interrupting Capacity Ratings<sup>①</sup>

Circuit Breaker Type	Number of Poles		Interrupting Capacity (Symmetrical Amperes) (kA)				Page Number
			Volts Ac (50/60 Hz)			Volts Dc	
			240	415	690	250 <sup>②③</sup>	
LDB	2, 3	$I_{CU}$ $I_{CS}$	85 85	45 45	20 10	20 10	58
LD	2, 3, 4	$I_{CU}$ $I_{CS}$	85 85	45 45	20 10	20 10	57, 59
CLD <sup>④</sup>	2, 3, 4	$I_{CU}$ $I_{CS}$	85 85	45 45	20 10	20 10	58, 61
HLD	2, 3, 4	$I_{CU}$ $I_{CS}$	100 100	70 70	25 13	20 10	57, 59
CHLD <sup>④</sup>	2, 3, 4	$I_{CU}$ $I_{CS}$	100 100	70 70	25 13	20 10	61
LDC	2, 3, 4	$I_{CU}$ $I_{CS}$	200 100	100 75	35 18	20 10	57, 60
CLDC <sup>④</sup>	2, 3, 4	$I_{CU}$ $I_{CS}$	200 100	100 75	35 18	20 10	62

① Utilization category A circuit breakers.  
 ② L/R = 8 milliseconds minimum.  
 ③ 2-pole circuit breaker or two poles of 3-pole circuit breaker. Incorporating Thermal-Magnetic trip unit only.  
 ④ 100% rated breakers

## Series C® L-Frame

## L-Frame Digitrip Selection Guide

Trip Unit Type	Digitrip RMS 310	Digitrip OPTIM 550	Digitrip OPTIM 750	Digitrip OPTIM 1050	
RMS Sensing	Yes	Yes	Yes	Yes	
<b>Breaker Type</b>					
Frame	L	L	L	L	
Ampere Range	300-600A	200-600A	200-600A	200-600A	
Interrupting Rating @ 480V	35, 65, 100 (kA)	35, 65, 100 (kA)	35, 65, 100 (kA)	35, 65, 100 (kA)	
<b>Protection</b>					
Ordering Options	LS, LSG	LSI, LSIG	LSI, LSI(A), LSIG	LSI(A), LSIG	LSI(A), LSIG
Fixed Rated Plug ( $I_n$ )	Yes	Yes	Yes	Yes	Yes
Overtemperature Trip	Yes	Yes	Yes	Yes	Yes
<b>Long Delay Protection (L)</b>					
Adjustable Rating Plug ( $I_n$ )	Yes	Yes	No	No	No
Long Delay Pickup	0.5-1.0 ( $I_n$ ) <sup>①</sup>	0.5-1.0 ( $I_n$ ) <sup>①</sup>	0.4-1.0 x ( $I_n$ )	0.4-1.0 x ( $I_n$ )	0.4-1.0 x ( $I_n$ )
Long Delay Time $I^2T$	12 Seconds	12 Seconds	2-24 Seconds	2-24 Seconds	2-24 Seconds
Long Delay Time $I^4T$	No	No	1-5 Seconds	1-5 Seconds	1-5 Seconds
Long Delay Thermal Memory	Yes	Yes	Yes	Yes	Yes
High Load Alarm	No	No	0.5-1.0 x $I_r$	0.5-1.0 x $I_r$	0.5-1.0 x $I_r$
<b>Short Delay Protection (S)</b>					
Short Delay Pickup	200-800% x ( $I_n$ )	200-800% x ( $I_n$ )	150-800% x ( $I_r$ )	150-800% x ( $I_r$ )	150-800% x ( $I_r$ )
Short Delay Time $I^2T$	100 ms	No	100-500 ms	100-500 ms	100-500 ms
Short Delay Time Flat	No	Inst-300 ms	100-500 ms	100-500 ms	100-500 ms
Short Delay Time Zone Selective Interlocking	No	No	No	Yes	Yes
<b>Instantaneous Protection (I)</b>					
Instantaneous Pickup	No	200-800% x ( $I_n$ )	200-800% x ( $I_n$ )	200-800% x ( $I_n$ )	200-800% x ( $I_n$ )
Discriminator	No	No	Yes	Yes	Yes
Instantaneous Override	Yes	Yes	Yes	Yes	Yes
<b>Ground Fault Protection (G)</b>					
Ground Fault Alarm	No	No	20-100% x ( $I_s$ )	20-100% x ( $I_s$ )	20-100% x ( $I_s$ )
Ground Fault Pickup	Varies by Frame	Varies by Frame	20-100% x ( $I_s$ )	20-100% x ( $I_s$ )	20-100% x ( $I_s$ )
Ground Fault Delay $I^2T$	No	No	100-500 ms	100-500 ms	100-500 ms
Ground Fault Delay Flat	Inst-500 ms	Inst-500 ms	100-500 ms	100-500 ms	100-500 ms
Ground Fault Zone Selective Interlocking	No	No	No	Yes	Yes
Ground Fault Thermal Memory	Yes	Yes	Yes	Yes	Yes
<b>System Diagnostics</b>					
Status LEDs	Yes	Yes	Yes	Yes	Yes
Cause of Trip LEDs	No	No	Yes	Yes	Yes
Magnitude of Trip Information	No	No	Yes	Yes	Yes
Remote Signal Contact – Ground Alarm	Yes	Yes	No	Yes	Yes
Local Auxiliary and Bell Alarm Contact	Optional	Optional	Optional	Included	Included
<b>System Monitoring</b>					
Digital Display	No	No	Yes <sup>②</sup>	Yes <sup>②</sup>	Yes <sup>②</sup>
Current	No	No	Yes	Yes	Yes
Power and Energy	No	No	No	No	Yes
Power Quality-Harmonics	No	No	No	No	Yes
Power Factor	No	No	No	No	Yes
<b>Communications</b>					
Cutler-Hammer PowerNet	No	No	No <sup>③</sup>	Yes	Yes
<b>Testing</b>					
Testing Method	Test Set		OPTIMizer, BIM, Cutler-Hammer PowerNet		

① Adjust by rating plug.

② By OPTIMizer/BIM.

③ Cutler-Hammer PowerNet kit for field upgrade.

BIM = Breaker Interface Module

(A) = GF Alarm

 $I_s$  = Sensor Rating $I_n$  = Rating Plug $I_r$  = Long Delay Pickup Setting

Series C® L-Frame

Types LD, HLD, and LDC Thermal-Magnetic Circuit Breakers with Interchangeable Trip Units

Maximum Continuous Ampere Rating @ 40°C	Standard Interrupting Capacity 600 Vac Rated 35 kAIC @ 480 Vac		High Interrupting Capacity 600 Vac Rated 65 kAIC @ 480 Vac		Ultra High Interrupting Capacity Current Limiting 600 Vac Rated 100 kAIC @ 480 Vac		Thermal Magnetic Trip Unit Only	Standard Terminals Only  See Page 63 for Optional Terminals
	Factory Assembled Circuit Consisting of Frame, Trip Unit, and Terminals	Frame Only	Factory Assembled Circuit Consisting of Frame, Trip Unit, and Terminals	Frame Only	Factory Assembled Circuit Consisting of Frame, Trip Unit, and Terminals	Frame Only	For Use With: Standard or High or Ultra High Interrupting Frames	
							Magnetic Trip Range is 5-10 x Continuous Ampere Rating	
Catalog Number								

2-Pole

300	LD2300	LD2600F	HLD2300	HLD2600F	LDC2300	LDC2600F	LT2300T	TA602LD①
350	LD2350		HLD2350		LDC2350		LT2350T	TA602LD①
400	LD2400		HLD2400		LDC2400		LT2400T	TA602LD①
450	LD2450		HLD2450		LDC2450		LT2450T	TA602LD①
500	LD2500		HLD2500		LDC2500		LT2500T	TA602LD①
600	LD2600		HLD2600		LDC2600		LT2600T	2TA603LDK②

3-Pole

300	LD3300	LD3600F	HLD3300	HLD3600F	LDC3300	LDC3600F	LT3300T	TA602LD①
350	LD3350		HLD3350		LDC3350		LT3350T	TA602LD①
400	LD3400		HLD3400		LDC3400		LT3400T	TA602LD①
450	LD3450		HLD3450		LDC3450		LT3450T	TA602LD①
500	LD3500		HLD3500		LDC3500		LT3500T	TA602LD①
600	LD3600		HLD3600		LDC3600		LT3600T	3TA603LDK②

4-Pole③

300	LD4300	LD4600F	HLD4300	HLD4600F	LDC4300	LDC4600F	LT4300T	TA602LD①
350	LD4350		HLD4350		LDC4350		LT4350T	TA602LD①
400	LD4400		HLD4400		LDC4400		LT4400T	TA602LD①
450	LD4450		HLD4450		LDC4450		LT4450T	TA602LD①
500	LD4500		HLD4500		LDC4500		LT4500T	TA602LD①
600	LD4600		HLD4600		LDC4600		LT4600T	4TA603LDK②

Instruction Leaflet/FRED Number 29C105 for Breaker; 29C607 for Thermal Magnetic Trip Unit

Types LD, HLD, and LDC Electronic Circuit Breakers with Interchangeable Trip Units

Order as individual components: Breaker Frame, Trip Unit, Rating Plug, Terminals.

Maximum Continuous Ampere Rating @ 40°C①	Circuit Breaker Frame Only			Digitrip RMS 310 Trip Unit Only④				Digitrip RMS 310 Rating Plug Only			Standard Terminals Only  See Page 63 for Optional Terminals
	Standard Interrupting Capacity 600 Vac Rated 35 kAIC @ 480 Vac	High Interrupting Capacity 600 Vac Rated 65 kAIC @ 480 Vac	Ultra High Interrupting Capacity Current Limiting 600 Vac Rated 100 kAIC @ 480 Vac	L - Adjustable Long Delay Pickup (By Adjustable Rating Plug) S - Adjustable Short Delay Pickup with Fixed Short Delay Time (I <sup>2</sup> Response) or Adjustable Short Delay Time (Flat Response) I - Adjustable Instantaneous Pickup by Setting Short Delay Time to Instantaneous G - Adjustable Ground Fault Pickup with Adjustable Ground Fault Delay (Flat Response)				Ampere Rating	Fixed Rating Plug	Adjustable Rating Plug  Ampere Rating Catalog Number	
				Catalog Number							
3-Pole③											
600	LD3600F	HLD3600F	LDC3600F	LES3600LS	LES3600LSI	LES3600LSG	LES3600LSIG	300 350 400 500 600	6LES300T 6LES350T 6LES400T 6LES500T 6LES600T	300/400/500/600 A6LES600T1	TA602LD① TA602LD① TA602LD① TA602LD① 3TA603LDK②
4-Pole③											
600	LD4600F	HLD4600F	LDC4600F	LES4600LS	LES4600LSI	-	-	300 350 400 500 600	6LES300T 6LES350T 6LES400T 6LES500T 6LES600T	300/400/500/600 A6LES600T1	TA602LD④ TA602LD④ TA602LD④ TA602LD④ 4TA603LDK②

3-Pole③

4-Pole③

Instruction Leaflet/FRED Number 29C105 for Breaker; 29C615 for LES Trip Unit

① Individually packed.  
 ② Terminal kits contain one terminal for each pole and one terminal cover.  
 ③ Neutral is in right pole.  
 ④ For AC use only.

## Series C® L-Frame

## 100% Rated Types CLD, CHLD, and CLDC Electronic Circuit Breakers with Interchangeable Trip Units

The NEC allows the breaker to be rated at 100% of its frame size in an assembly, provided that 90°C wire is applied at the 75°C ampacity. All 100% rated circuit breakers have electronic trip units. Order as individual components: Breaker Frame, Trip Unit, Rating Plug and Terminals.

Maximum Continuous Ampere Rating @ 40°C <sup>①</sup>	Circuit Breaker Frame Only			Digitrip RMS 310 Trip Unit Only				Digitrip RMS 310 Rating Plug Only			Standard Terminals Only  See Page 63 for Optional Terminals
	Standard Interrupting Capacity 600 Vac Rated 35 kAIC @ 480 Vac	High Interrupting Capacity 600 Vac Rated 65 kAIC @ 480 Vac	Ultra High Interrupting Capacity Current Limiting 600 Vac Rated 100 kAIC @ 480 Vac	Standard	Options			Ampere Rating	Fixed Rating Plug	Adjustable Rating Plug  Ampere Rating Catalog Number	
				Adjustable Short Time Delay with I <sup>2</sup> t Short Delay Ramp	Independently Adjustable Short Time Pickup and Delay Ground Fault Protection	Adjustable Short Time Pickup with I <sup>2</sup> t Short Delay and Ground Fault Protection	Independently Adjustable Short Time Pickup and Delay and Ground Fault Protection				
Catalog Number											

## 3-Pole

600	CLD3600F	CHLD3600F	CLDC3600F	LES3600LS	LES3600LSI	LES3600LSG	LES3600LSIG	300 350 400 500 600	6LES300T 6LES350T 6LES400T 6LES500T 6LES600T	300/400/500/600 A6LES600T1	TA602LD <sup>②</sup> TA602LD <sup>②</sup> TA602LD <sup>②</sup> TA602LD <sup>②</sup> 3TA603LDK <sup>③</sup>
-----	----------	-----------	-----------	-----------	------------	------------	-------------	---------------------------------	--	-------------------------------	--

Instruction Leaflet/FRED Number 29C105 for Breaker; 29C615 for LES Trip Unit

## Type LDB Thermal-Magnetic Circuit Breakers with Non-Interchangeable Trip Units

Maximum Continuous Ampere Rating	600 Vac Rated, 250 Vdc	
	Complete Circuit Breaker	
	Without Line and Load Terminals	With Standard Line and Load Terminals Only
	Catalog Number	

## 2-Pole

300	LDB2300W	LDB2300
350	LDB2350W	LDB2350
400	LDB2400W	LDB2400
450	LDB2450W	LDB2450
500	LDB2500W	LDB2500
600	LDB2600W	LDB2600

## 3-Pole

300	LDB3300W	LDB3300
350	LDB3350W	LDB3350
400	LDB3400W	LDB3400
450	LDB3450W	LDB3450
500	LDB3500W	LDB3500
600	LDB3600W	LDB3600

Instruction Leaflet/FRED Number 29C105 for Breaker

## Molded Case Switches

Molded case switches are used as compact switches in applications requiring high current switching capabilities. Molded case switches are constructed of circuit breaker components and are of the high instantaneous automatic type.<sup>④</sup> Molded case switches are listed in accordance with Underwriters Laboratories, Inc., Standard UL 1087.

Maximum Continuous Ampere Rating @ 40°C	600 Vac Maximum, 250 Vdc	Standard Terminals Only  See Page 63 for Optional Terminals
	Circuit Breaker Only Without Line and Load Terminals	
	Catalog Number	

## 2-Pole

600	LD2600WK	2TA603LDK
-----	----------	-----------

## 3-Pole

600	LD3600WK	3TA603LDK
-----	----------	-----------

## 4-Pole

600	LD4600WK	4TA603LDK
-----	----------	-----------

**Note:** Molded Case Switch may trip above 6000 amperes.

Instruction Leaflet/FRED Number 29C105 for Molded Case Switch

① Ampere rating is established by rating plug.

② Individually packed.

③ 3TA603LDK and 4TA603LDK terminal kits contain one terminal for each pole and one terminal cover.

Series C® L-Frame

Digitrip OPTIM<sup>①</sup> Electronic Circuit Breaker with Interchangeable Rating Plug

Order as individual components: Breaker Frame (which includes Trip Unit), Rating Plug, Terminals.

Maximum Continuous Ampere Rating @ 40°C	Circuit Breaker Frame Only						Digitrip OPTIM Rating Plug Only	
	L – Adjustable Long Delay Pickup ( $I_L$ ) with Adjustable Long Delay Time ( $I^2t$ or $I^4t$ Response) <sup>②</sup> S – Adjustable Short Delay Pickup with Adjustable Short Delay Time ( $I^2t$ or Flat Response) I – Adjustable Instantaneous Pickup G – Adjustable Ground Fault Pickup with Adjustable Ground Fault Time ( $I^2t$ or Flat Response) A – Adjustable Ground Fault Alarm with Adjustable Ground Fault Time ( $I^2t$ or Flat Response)						Ampere Rating	Fixed Rating Plug
	OPTIM 550		OPTIM 750		OPTIM 1050			
	LSI	LSIG	LSIA	LSIG	LSIA	LSIG	LSIA	
Catalog Number								

3-Pole Standard Interrupting Capacity 600 Volt Ac Rated 35 kAIC @ 480 Vac

125	–	–	–	LD3125T76W	LD3125T77W	LD3125T106W	LD3125T107W	70 90 100 110 125	ORPL125A070 ORPL125A090 ORPL125A100 ORPL125A110 ORPL125A125
250	–	–	–	LD3250T76W	LD3250T77W	LD3250T106W	LD3250T107W	125 150 175 200 225 250	ORPL025A125 ORPL025A150 ORPL025A175 ORPL025A200 ORPL025A225 ORPL025A250
400	LD3400T52W	LD3400T56W	LD3400T57W	LD3400T76W	LD3400T77W	LD3400T106W	LD3400T107W	200 225 250 300 350 400	ORPL40A200 ORPL40A225 ORPL40A250 ORPL40A300 ORPL40A350 ORPL40A400
600	LD3600T52W	LD3600T56W	LD3600T57W	LD3600T76W	LD3600T77W	LD3600T106W	LD3600T107W	300 350 400 500 600	ORPL60A300 ORPL60A350 ORPL60A400 ORPL60A500 ORPL60A600

3-Pole High Interrupting Capacity 600 Volt Ac Rated 65 kAIC @ 480 Vac

125	–	–	–	HLD3125T76W	HLD3125T77W	HLD3125T106W	HLD3125T107W	70 90 100 110 125	ORPL125A070 ORPL125A090 ORPL125A100 ORPL125A110 ORPL125A125
250	–	–	–	HLD3250T76W	HLD3250T77W	HLD3250T106W	HLD3250T107W	125 150 175 200 225 250	ORPL025A125 ORPL025A150 ORPL025A175 ORPL025A200 ORPL025A225 ORPL025A250
400	HLD3400T52W	HLD3400T56W	HLD3400T57W	HLD3400T76W	HLD3400T77W	HLD3400T106W	HLD3400T107W	200 225 250 300 350 400	ORPL40A200 ORPL40A225 ORPL40A250 ORPL40A300 ORPL40A350 ORPL40A400
600	HLD3600T52W	HLD3600T56W	HLD3600T57W	HLD3600T76W	HLD3600T77W	HLD3600T106W	HLD3600T107W	300 350 400 500 600	ORPL60A300 ORPL60A350 ORPL60A400 ORPL60A500 ORPL60A600

Instruction Leaflet/FRED Number 29C105 for Breaker; 29C891 for OPTIM Trip Unit

① One Form C auxiliary switch and one Form C bell alarm switch supplied with breaker as standard, on models 750 and 1050.  
 ② Long delay  $I^4t$  response selection limits short delay time to flat response.



## Series C® L-Frame

### Digitrip OPTIM<sup>①</sup> Electronic Circuit Breaker with Interchangeable Rating Plug

Order as individual components: Breaker Frame (which includes Trip Unit), Rating Plug, Terminals.

Maximum Continuous Ampere Rating @ 40°C	Circuit Breaker Frame Only						Digitrip OPTIM Rating Plug Only	
	L – Adjustable Long Delay Pickup ( $I_L$ ) with Adjustable Long Delay Time ( $I^2t$ or $I^4t$ Response) <sup>②</sup> S – Adjustable Short Delay Pickup with Adjustable Short Delay Time ( $I^2t$ or Flat Response) I – Adjustable Instantaneous Pickup G – Adjustable Ground Fault Pickup with Adjustable Ground Fault Time ( $I^2t$ or Flat Response) A – Adjustable Ground Fault Alarm with Adjustable Ground Fault Time ( $I^2t$ or Flat Response)						Ampere Rating	Fixed Rating Plug
	OPTIM 550		OPTIM 750		OPTIM 1050			
	LSI	LSIG	LSIA	LSIG	LSIA	LSIG	LSIA	
Catalog Number								

#### 3-Pole Ultra High Interrupting Capacity Current Limiting 600 Volt Ac Rated 100 kAIC @ 480 Vac

Rating	LSI	LSIG	LSIA	LSIG	LSIA	LSIG	LSIA	Ampere Rating	Fixed Rating Plug
125	–	–	–	LDC3125T76W	LDC3125T77W	LDC3125T106W	LDC3125T107W	70 90 100 110 125	ORPL125A070 ORPL125A090 ORPL125A100 ORPL125A110 ORPL125A125
250	–	–	–	LDC3250T76W	LDC3250T77W	LDC3250T106W	LDC3250T107W	125 150 175 200 225 250	ORPL025A125 ORPL025A150 ORPL025A175 ORPL025A200 ORPL025A225 ORPL025A250
400	LDC3400T52W	LDC3400T56W	LDC3400T57W	LDC3400T76W	LDC3400T77W	LDC3400T106W	LDC3400T107W	200 225 250 300 350 400	ORPL40A200 ORPL40A225 ORPL40A250 ORPL40A300 ORPL40A350 ORPL40A400
600	LDC3600T52W	LDC3600T56W	LDC3600T57W	LDC3600T76W	LDC3600T77W	LDC3600T106W	LDC3600T107W	300 350 400 500 600	ORPL60A300 ORPL60A350 ORPL60A400 ORPL60A500 ORPL60A600

Instruction Leaflet/FRED Number 29C105 for Breaker; 29C891 for OPTIM Trip Unit

① One Form C auxiliary switch and one Form C bell alarm switch supplied with breaker as standard, on models 750 and 1050.

② Long delay  $I^4t$  response selection limits short delay time to flat response.

Series C® L-Frame

100% Rated Digitrip OPTIM<sup>①</sup> Circuit Breakers with Interchangeable Rating Plug

Order as individual components: Breaker Frame (which includes Trip Unit), Rating Plug, Terminals.

Maximum Continuous Ampere Rating @ 40°C	Circuit Breaker Frame Only						Digitrip OPTIM Rating Plug Only	
	L – Adjustable Long Delay Pickup ( $I_t$ ) with Adjustable Long Delay Time ( $I^2t$ or $I^4t$ Response) <sup>②</sup> S – Adjustable Short Delay Pickup with Adjustable Short Delay Time ( $I^2t$ or Flat Response) I – Adjustable Instantaneous Pickup G – Adjustable Ground Fault Pickup with Adjustable Ground Fault Time ( $I^2t$ or Flat Response) A – Adjustable Ground Fault Alarm with Adjustable Ground Fault Time ( $I^2t$ or Flat Response)						Ampere Rating	Fixed Rating Plug
	OPTIM 550		OPTIM 750		OPTIM 1050			
	LSI	LSIG	LSIA	LSIG	LSIA	LSIG	LSIA	
Catalog Number								

3-Pole Standard Interrupting Capacity 600 Volt Ac Rated 35 kAIC @ 480 Vac

125	–	–	–	CLD3125T76W	CLD3125T77W	CLD3125T106W	CLD3125T107W	70 90 100 110 125	ORPL125A07 ORPL125A09 ORPL125A10 ORPL125A11 ORPL125A125
250	–	–	–	CLD3250T76W	CLD3250T77W	CLD3250T106W	CLD3250T107W	125 150 175 200 225 250	ORPL025A12 ORPL025A15 ORPL025A17 ORPL025A20 ORPL025A22 ORPL025A250
400	CLD3400T52W	CLD3400T56W	CLD3400T57W	CLD3400T76W	CLD3400T77W	CLD3400T106W	CLD3400T107W	200 225 250 300 350 400	ORPL40A200 ORPL40A225 ORPL40A250 ORPL40A300 ORPL40A350 ORPL40A400
600	CLD3600T52W	CLD3600T56W	CLD3600T57W	CLD3600T76W	CLD3600T77W	CLD3600T106W	CLD3600T107W	300 350 400 500 600	ORPL60A300 ORPL60A350 ORPL60A400 ORPL60A500 ORPL60A600

3-Pole High Interrupting Capacity 600 Volt Ac Rated 65 kAIC @ 480 Vac

125	–	–	–	CHLD3125T76W	CHLD3125T77W	CHLD3125T106W	CHLD3125T107W	70 90 100 110 125	ORPL125A070 ORPL125A090 ORPL125A100 ORPL125A110 ORPL125A125
250	–	–	–	CHLD3250T76W	CHLD3250T77W	CHLD3250T106W	CHLD3250T107W	125 150 175 200 225 250	ORPL025A125 ORPL025A150 ORPL025A175 ORPL025A200 ORPL025A225 ORPL025A250
400	CHLD3400T52W	CHLD3400T56W	CHLD3400T57W	CHLD3400T76W	CHLD3400T77W	CHLD3400T106W	CHLD3400T107W	200 225 250 300 350 400	ORPL40A200 ORPL40A225 ORPL40A250 ORPL40A300 ORPL40A350 ORPL40A400
600	CHLD3600T52W	CHLD3600T56W	CHLD3600T57W	CHLD3600T76W	CHLD3600T77W	CHLD3600T106W	CHLD3600T107W	300 350 400 500 600	ORPL60A300 ORPL60A350 ORPL60A400 ORPL60A500 ORPL60A600

Instruction Leaflet/FRED Number 29C105 for Breaker; 29C891 for OPTIM Trip Unit

① One Form C auxiliary switch and one Form C bell alarm switch supplied with breaker as standard, on models 750 and 1050.

② Long delay  $I^4t$  response selection limits short delay time to flat response.

## Series C® L-Frame

## 100% Rated Digitrip OPTIM<sup>①</sup> Electronic Circuit Breaker with Interchangeable Rating Plug

Order as individual components: Breaker Frame (which includes Trip Unit), Rating Plug, Terminals.

Maximum Continuous Ampere Rating @ 40°C	Circuit Breaker Frame Only						Digitrip OPTIM Rating Plug Only	
	L – Adjustable Long Delay Pickup ( $I_t$ ) with Adjustable Long Delay Time ( $I^2t$ or $I^4t$ Response) <sup>②</sup> S – Adjustable Short Delay Pickup with Adjustable Short Delay Time ( $I^2t$ or Flat Response) I – Adjustable Instantaneous Pickup G – Adjustable Ground Fault Pickup with Adjustable Ground Fault Time ( $I^2t$ or Flat Response) A – Adjustable Ground Fault Alarm with Adjustable Ground Fault Time ( $I^2t$ or Flat Response)						Ampere Rating	Fixed Rating Plug
	LSI	LSIG	LSIA	LSIG	LSIA	LSIG	LSIA	
Catalog Number								

### 3-Pole Ultra High Interrupting Capacity Current Limiting 600 Volt Ac Rated 100 kAIC @ 480 Vac

125	–	–	–	CLDC3125T76W	CLDC3125T77W	CLDC3125T106W	CLDC3125T107W	70 90 100 110 125	ORPL125A070 ORPL125A090 ORPL125A100 ORPL125A110 ORPL125A125
250	–	–	–	CLDC3250T76W	CLDC3250T77W	CLDC3250T106W	CLDC3250T107W	125 150 175 200 225 250	ORPL025A125 ORPL025A150 ORPL025A175 ORPL025A200 ORPL025A225 ORPL025A250
400	CLDC3400T52W	CLDC3400T56W	CLDC3400T57W	CLDC3400T76W	CLDC3400T77W	CLDC3400T106W	CLDC3400T107W	200 225 250 300 350 400	ORPL40A200 ORPL40A225 ORPL40A250 ORPL40A300 ORPL40A350 ORPL40A400
600	CLDC3600T52W	CLDC3600T56W	CLDC3600T57W	CLDC3600T76W	CLDC3600T77W	CLDC3600T106W	CLDC3600T107W	300 350 400 500 600	ORPL60A300 ORPL60A350 ORPL60A400 ORPL60A500 ORPL60A600

Instruction Leaflet/FRED Number 29C105 for Breaker; 29C891 for OPTIM Trip Unit

① One Form C auxiliary switch and one Form C bell alarm switch supplied with breaker as standard, on models 750 and 1050.

② Long delay  $I^4t$  response selection limits short delay time to flat response.

Series C® L-Frame

Line and Load Terminals

Line and load terminals provide wire connecting capabilities for specific ranges of continuous current ratings and wire types. All terminals comply with Underwriters Laboratories, Inc., Standards UL486A and UL486B and CSA Standard C22.2 No. 65M. Unless otherwise specified, L-frame circuit breaker line and load terminals are shipped separately for field installation.

The wire connecting terminal is secured with two pan-head, slotted screws and lock washers which can be checked for the correct torque loading or retightened from the front of the circuit breaker before installation of the conductors. (Applies to all styles.) The circuit breaker line/load terminal conductors are positioned in the conducting holes in the wire connecting terminal

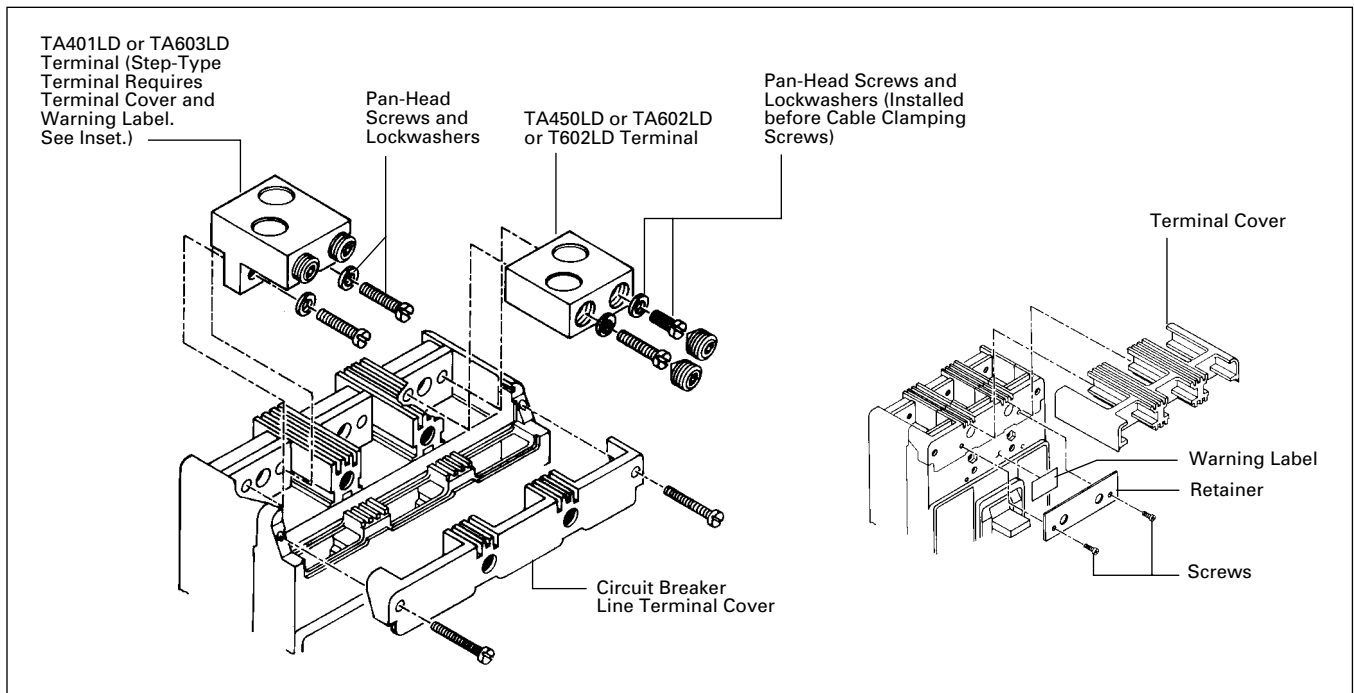
and are secured with recessed socket screws which are tightened to the correct torque loading from the front of the circuit breaker.

Ordering Information

L-frame circuit breakers use Cu/Al terminals as standard. When optional copper terminals are required, order by catalog number. Specify if factory installation is required.

Line and Load Terminals

Maximum Breaker Amperes	Terminal Body Material	Wire Type	AWG Wire Range/ Number of Conductors	Metric Wire Range mm <sup>2</sup>	Terminal Catalog Number	Terminals with Control Wire Termination Catalog Numbers
<b>Standard Cu/Al Pressure Terminals</b>						
400	Aluminum	Cu/Al	4/0-600 (1)	120-300	2TA401LDK- 2-Pole Kit <sup>①</sup> 3TA401LDK- 3-Pole Kit <sup>①</sup> 4TA401LDK- 4-Pole Kit <sup>①</sup>	- - -
450	Aluminum	Cu/Al	4-4/0 (2)	25-95	TA450LD <sup>②</sup>	-
500	Aluminum	Cu/Al	3/0-350 (2)	95-150	TA602LD <sup>②</sup>	TA602LDCW
600	Aluminum	Cu/Al	400-500 (2)	185-240	2TA603LDK- 2-Pole Kit <sup>①</sup> 3TA603LDK- 3-Pole Kit <sup>①</sup> 4TA603LDK- 4-Pole Kit <sup>①</sup>	2TA602LDKW 3TA602LDKW 4TA602LDKW
<b>Optional Copper and Cu/Al Pressure Type Terminals</b>						
600	Copper	Cu	250-500 (2)	120-250	T602LD <sup>②</sup>	-



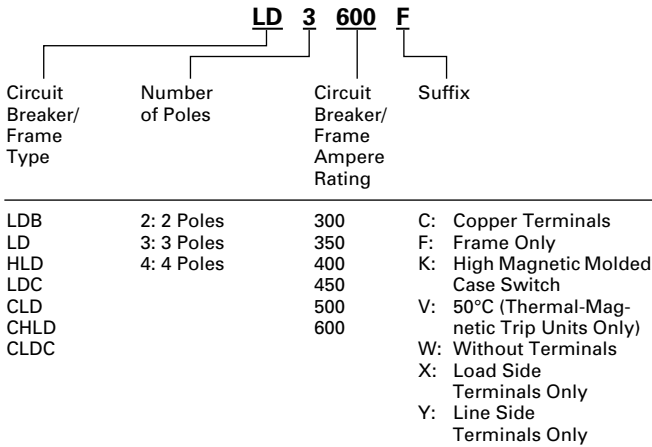
① Terminal kits contain one terminal for each pole and one terminal cover.  
② Individually packed.

**Series C® L-Frame**

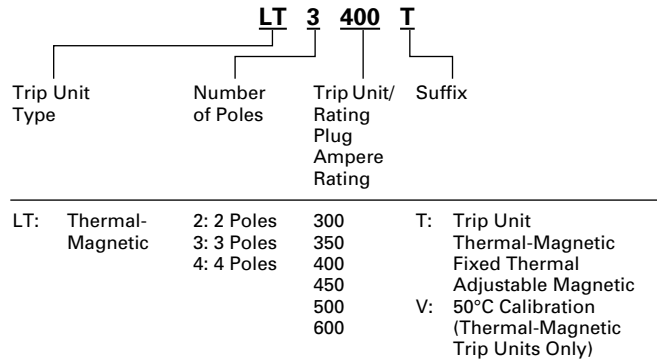
**Catalog Numbering System**

This information is presented only as an aid to understanding catalog numbers. It is not to be used to build catalog numbers for circuit breakers or trip units.

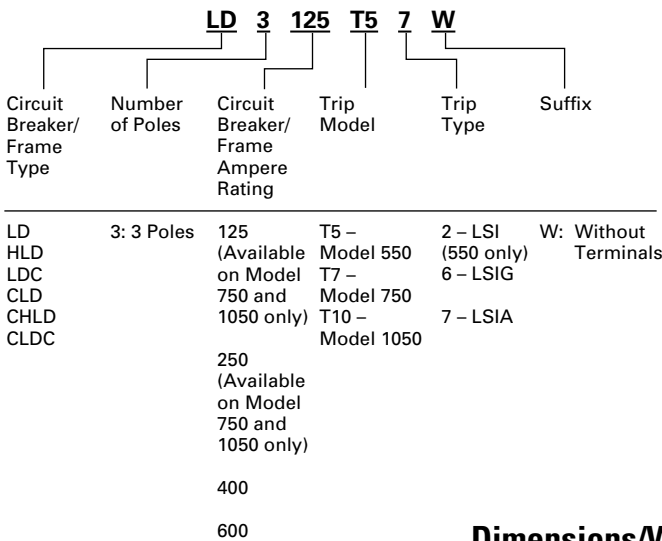
**Circuit Breaker/Frame Catalog Number**



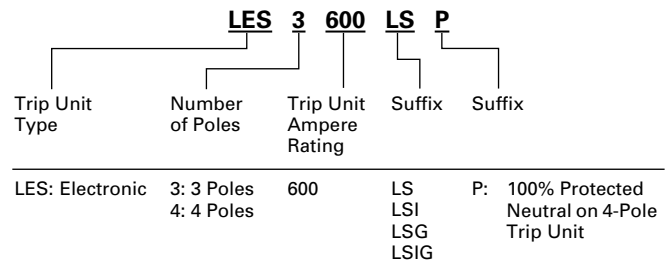
**Thermal-Magnetic Trip Unit Catalog Number**



**OPTIM Circuit Breaker/Frame Catalog Number**



**Digitrip RMS 310 Trip Unit Catalog Number**



**Dimensions/Weights**

**Dimensions, Inches (mm)**

Number of Poles	Width	Height	Depth
2, 3	8.25 (210)	10.75 (274)	4.062 (103)
4	11 (279)	10.75 (274)	4.062 (103)

**Approximate Shipping Weight, Lbs. (kg)**

Breaker Type	Complete Breaker			Frame Only			Trip Unit		
	Number of Poles			Number of Poles			Number of Poles		
	2	3	4	2	3	4	2	3	4
LD, HLD, LDC	18 (8.172)	20 (9.080)	25 (11.340)	14 (6.356)	15 (6.810)	20 (9.072)	3 (1.361)	4 (1.814)	5 (2.268)
LDB	18 (8.172)	20 (9.080)	25 (11.340)	–	–	–	–	–	–

Series C® L-Frame

Allowable Accessory Combinations

Different combinations of accessories can be supplied, depending on the types of accessories and the number of poles in the circuit breaker.

	Reference Page	2-Pole <sup>①</sup> , 3-Pole			4-Pole			
		Left	Center	Right	Left	Center	Right	Neu. <sup>②</sup>
<b>Internal Accessories (Only One Internal Accessory Per Pole)<sup>③</sup></b>								
Alarm Lockout (Make/Break)	140	■		■	■		■	
Alarm Lockout (2Make/2Break)	140	■		■	■		■	
Auxiliary Switch (1A, 1B)	143	■		■	■		■	
Auxiliary Switch (2A, 2B)	143	■		■	■		■	
Auxiliary Switch (3A, 3B)	143	■		■	■		■	
Auxiliary Switch (1A, 1B) and Alarm Switch Combination	146	■		■	■		■	
Auxiliary Switch (2A, 2B) and Alarm Switch Combination	146	■		■	■		■	
Shunt Trip – Standard <sup>④</sup>	149	■		■	■		■	
Shunt Trip – Low Energy <sup>④</sup>	152	■		■	■		■	
Undervoltage Release Mechanism <sup>④</sup>	157	■		■	■		■	
Cutler-Hammer PowerNet Communications Kit (OPTIM 550)	160			■				

External Accessories

End Cap Kit	161		●				●	
Control Wire Terminal Kit	162		●				●	
Base Mounting Hardware	163		●				●	
Terminal Shields	165		●				●	
Interphase Barriers	166		●				●	
Non-Padlockable Handle Block	168		■			■		
Padlockable Handle Lock Hasp	169	□		□	□		□	
Key Interlock Kit	170	□		□	□		□	
Sliding Bar Interlock – Requires Two Breakers	171		●				●	
Walking Beam Interlock – Requires Two Breakers	171		●				●	
Electrical (Motor) Operator	173		●				●	
Plug-in Adapters	174		●				●	
Rear Connecting Studs	176		●				●	
Panelboard Connecting Straps	177		●				●	
Handle Mechanisms	178		●				●	
Door Hardware/Accessories	182		●				●	
Handle Extension	182		●				●	
Solid-State (Electronic) Portable Test Kit	184		●				●	

OPTIM System Components 3-Poles

Ground Fault Alarm Unit	184							
Potential Transformer Module	184							
Breaker Interface Module (BIM)	185							
Digitrip OPTIMizer	185							
Auxiliary Power Module	185							
Cutler-Hammer PowerNet Software	185							

Modifications (Refer to Cutler-Hammer)

Special Calibration	186		●				●	
Moisture Fungus Treatment	186		●				●	
Freeze-Tested Circuit Breakers	186		●				●	
Marine Application	186		●				●	

■ Applicable in indicated pole position

□ May be mounted on left or right pole – not both

● Accessory available/Modification available

① 2-pole breaker supplied in 3-pole frame. Current carrying parts omitted from center pole.

② Refer to Cutler-Hammer for appropriate neutral pole accessory combinations.

③ OPTIM models 750 and 1050 are factory sealed and do not have the right pole space available for accessories.

④ Shunt trip and UVR cannot be mounted in right poles on LES trip units.



Series C® M-Frame



Typical Series C M-Frame Circuit Breaker

- All Series C M-frame circuit breakers are HACR rated.
- MDL-frame circuit breakers are available as individual components (Frame, Trip Unit, Terminals), or factory assembled complete breakers.
- M-frame circuit breakers with non-interchangeable trip units are suitable for reverse feed use.

Interrupting Capacity Ratings

UL489/CSA Interrupting Capacity Ratings<sup>①</sup>

Circuit Breaker Type	Number of Poles	Interrupting Capacity (Symmetrical Amperes) (kA)				Page Number
		Volts Ac (50/60 Hz)			Volts Dc <sup>②③</sup>	
		240	480	600		
MDL	2, 3	65	50	25	22	69, 70
CMDL	2, 3	65	50	25	22	70
HMDL	2, 3	100	65	35	25	69, 70
CHMDL	2, 3	100	65	35	25	70

IEC 947-2 Interrupting Capacity Ratings<sup>①</sup>

Circuit Breaker Type	Number of Poles	Interrupting Capacity – RMS Symmetrical Amperes (kA) $I_{CU} = I_{CS}$				Page Number
		Volts Ac (50/60 Hz)			Volts Dc <sup>②③</sup>	
		240	480	600		
MDL	2, 3	85	50	20	20	69, 70
CMDL	2, 3	85	50	20	20	70
HMDL	2, 3	100	65	25	20	69, 70
CHMDL	2, 3	100	65	25	20	70

① Utilization category A circuit breakers.  
 ② Two poles or two poles of 3-pole circuit breaker. Thermal-magnetic trip units only, MDL, HMDL breakers with electronic trip unit are not DC rated.  
 ③ Time constant is 3 milliseconds minimum at 10 kA and 8 milliseconds at 22 kA.



## Series C® M-Frame

## MDL-Frame Digitrip Selection Guide

Trip Unit Type	Digitrip RMS 310	
RMS Sensing	Yes	
<b>Breaker Type</b>		
Frame	MDL	
Ampere Range	400-800A	
Interrupting Rating @ 480V	50, 65 (kA)	
<b>Protection</b>		
Ordering Options	LS, LSG	LSI, LSIG
Fixed Rated Plug ( $I_n$ )	Yes	Yes
Overtemperature Trip	Yes	Yes
<b>Long Delay Protection (L)</b>		
Adjustable Rating Plug ( $I_n$ )	Yes	Yes
Long Delay Pickup	0.5-1.0 ( $I_n$ ) ①	0.5-1.0 ( $I_n$ ) ①
Long Delay Time $I^2T$	12 Seconds	12 Seconds
Long Delay Time $I^4T$	No	No
Long Delay Thermal Memory	Yes	Yes
High Load Alarm	No	No
<b>Short Delay Protection (S)</b>		
Short Delay Pickup	200-800% x ( $I_n$ )	200-800% x ( $I_n$ )
Short Delay Time $I^2T$	100 ms	No
Short Delay Time Flat	No	Inst-300 ms
Short Delay Time Zone Selective Interlocking	No	No
<b>Instantaneous Protection (I)</b>		
Instantaneous Pickup	No	200-800% x ( $I_n$ )
Discriminator	No	No
Instantaneous Override	Yes	Yes
<b>Ground Fault Protection (G)</b>		
Ground Fault Alarm	No	No
Ground Fault Pickup	Varies by Frame	Varies by Frame
Ground Fault Delay $I^2T$	No	No
Ground Fault Delay Flat	Inst-500 ms	Inst-500 ms
Ground Fault Zone Selective Interlocking	No	No
Ground Fault Thermal Memory	Yes	Yes
<b>System Diagnostics</b>		
Status LEDs	Yes	Yes
Cause of Trip LEDs	No	No
Magnitude of Trip Information	No	No
Remote Signal Contacts – Ground Alarm	Yes	Yes
<b>System Monitoring</b>		
Digital Display	No	No
Current	No	No
Power and Energy	No	No
Power Quality – Harmonics	No	No
Power Factor	No	No
<b>Communications</b>		
Cutler-Hammer PowerNet	No	No
<b>Testing</b>		
Testing Method	Test Set	

① Adjust by rating plug.

 $I_n$  = Rating Plug

**Types MDL and HMDL Thermal-Magnetic Circuit Breakers with Interchangeable Trip Units**

Maximum Continuous Ampere Rating @ 40°C	Standard Interrupting Capacity 600 Vac Rated 50 kAIC @ 480 Vac		High Interrupting Capacity 600 Vac Rated 65 kAIC @ 480 Vac		Thermal Magnetic Trip Unit Only  For Use With: Standard or High or Ultra High Interrupting Frames  Magnetic Trip Range is 5-10 up through 600A; 4-8 on 700 and 800A x Continuous Ampere Rating	Standard Terminals Only ①  See Page 72 for Optional Terminals
	Factory Assembled Circuit Consisting of Frame, Trip Unit, and Terminals	Frame Only	Factory Assembled Circuit Consisting of Frame, Trip Unit, and Terminals	Frame Only		
	Catalog Number					

**2-Pole**

300	MDL2300	MDL2800F	HMDL2300	HMDL2800F	MT2300T	TA700MA1
350	MDL2350		HMDL2350		MT2350T	TA700MA1
400	MDL2400		HMDL2400		MT2400T	TA700MA1
450	MDL2450		HMDL2450		MT2450T	TA700MA1
500	MDL2500		HMDL2500		MT2500T	TA700MA1
600	MDL2600		HMDL2600		MT2600T	TA700MA1
700	MDL2700		HMDL2700		MT2700T	TA700MA1
800	MDL2800		HMDL2800		MT2800T	TA800MA2

**3-Pole**

300	MDL3300	MDL3800F	HMDL3300	HMDL3800F	MT3300T	TA700MA1
350	MDL3350		HMDL3350		MT3350T	TA700MA1
400	MDL3400		HMDL3400		MT3400T	TA700MA1
450	MDL3450		HMDL3450		MT3450T	TA700MA1
500	MDL3500		HMDL3500		MT3500T	TA700MA1
600	MDL3600		HMDL3600		MT3600T	TA700MA1
700	MDL3700		HMDL3700		MT3700T	TA700MA1
800	MDL3800		HMDL3800		MT3800T	TA800MA2

Instruction Leaflet/FRED Number 29C111 for Breaker

**Types MDLB and HMDLB Thermal-Magnetic Circuit Breakers with Non-Interchangeable Trip Units**

Maximum Continuous Ampere Rating @ 40°C	Standard Interrupting Capacity 600 Vac Rated 50 kAIC @ 480 Vac		High Interrupting Capacity 600 Vac Rated 50 kAIC @ 480 Vac		Standard Terminals Only ①  See Page 72 for Optional Terminals
	Factory Assembled Circuit Consisting of Frame, Trip Unit, and Terminals	Factory Assembled Circuit Consisting of Frame, Trip Unit, and Terminals			
	Catalog Number				

**2-Pole**

300	MDLB2300	HMDLB2300	TA700MA1
350	MDLB2350	HMDLB2350	TA700MA1
400	MDLB2400	HMDLB2400	TA700MA1
450	MDLB2450	HMDLB2450	TA700MA1
500	MDLB2500	HMDLB2500	TA700MA1
600	MDLB2600	HMDLB2600	TA700MA1
700	MDLB2700	HMDLB2700	TA700MA1
800	MDLB2800	HMDLB2800	TA800MA2

**3-Pole**

300	MDLB3300	HMDLB3300	TA700MA1
350	MDLB3350	HMDLB3350	TA700MA1
400	MDLB3400	HMDLB3400	TA700MA1
450	MDLB3450	HMDLB3450	TA700MA1
500	MDLB3500	HMDLB3500	TA700MA1
600	MDLB3600	HMDLB3600	TA700MA1
700	MDLB3700	HMDLB3700	TA700MA1
800	MDLB3800	HMDLB3800	TA800MA2

Instruction Leaflet/FRED Number 29C111 for Breaker

① Two terminals are required per pole.

## Series C® M-Frame

### Types MDL and HMDL Electronic Circuit Breakers with Interchangeable Trip Units

Order as Individual Components: Breaker Frame, Trip Unit, Rating Plug, Terminals.

Maximum Continuous Ampere Rating @ 40°C <sup>①</sup>	Circuit Breaker Frame Only		Digitrip RMS 310 Trip Unit Only <sup>②</sup>				Digitrip RMS 310 Rating Plug Only			Terminals
	Standard Interrupting Capacity 600 Vac Rated 35 kAIC @ 480 Vac	High Interrupting Capacity 600 Vac Rated 65 kAIC @ 480 Vac	L – Adjustable Long Delay Pickup (by Adjustable Rating Plug)	S – Adjustable Short Delay Pickup with Fixed Short Delay Time (I <sup>2</sup> t Response) or Adjustable Short Delay Time (Flat Response)	I – Adjustable Instantaneous Pickup by Setting Short Delay Time to Instantaneous	G – Adjustable Ground Fault Pickup with Adjustable Ground Fault Delay (Flat Response)	Ampere Rating	Fixed Rating Plug	Adjustable Rating Plugs Ampere Rating Catalog Number	
	Catalog Number									

## 3-Pole

800	MDL3800F	HMDL3800F	MES3800LS MES3800LSI MES3800LSG MES3800LSIG	400 500 600 700 800	8MES400T 8MES500T 8MES600T 8MES700T 8MES800T	400/500/600/800 A8MES800T	See Page 72 for Standard and Optional Terminals
-----	----------	-----------	--	---------------------------------	--	------------------------------	---

Instruction Leaflet/FRED Number 29C111 for Breaker; 29C615 for MES Trip Unit

### Types MDLB and HMDLB Electronic Circuit Breakers with Non-Interchangeable Trip Units

Maximum Continuous Ampere Rating @ 40°C <sup>①</sup>	Factory Assembled Circuit Breaker Consisting of Frame and Trip Unit			
	LS	LSI	LSG	LSIG
	Catalog Number			

## 3-Pole Standard Interrupting Capacity 600 Vac Rated 50 kAIC @ 480 Vac

800	MDLB3800T33W	MDLB3800T32W	MDLB3800T35W	MDLB3800T36W
-----	--------------	--------------	--------------	--------------

## 3-Pole High Interrupting Capacity 600 Vac Rated 65 kAIC @ 480 Vac

800	HMDLB3800T33W	HMDLB3800T32W	HMDLB3800T35W	HMDLB3800T36W
-----	---------------	---------------	---------------	---------------

Instruction Leaflet/FRED Number 29C111 for Breaker; 29C615 for MES Trip Unit

### 100% Rated Types CMDL and CHMDL Electronic Circuit Breakers with Non-Interchangeable Trip Units

The NEC allows the breaker to be rated at 100% of its frame size in an assembly, provided that 90°C wire is applied at the 75°C ampacity. All 100% rated circuit breakers have electronic trip units. Order as individual components: breaker frame, trip unit, rating plug and terminals.

Maximum Continuous Ampere Rating @ 40°C <sup>①</sup>	Circuit Breaker Frame Only		Digitrip RMS 310 Trip Unit Only <sup>②</sup>				Digitrip RMS 310 Trip Unit Only			Terminals
	Standard Interrupting Capacity 50 kAIC @ 480 Vac	High Interrupting Capacity 50 kAIC @ 480 Vac	Standard	Options			Ampere Rating	Fixed Rating Plug	Adjustable Rating Plug Ampere Rating Catalog Number	
			Adjustable Short Time Delay with I <sup>2</sup> t Short Delay Ramp	Independently Adjustable Short Time Pickup and Delay Ground Fault Protection	Adjustable Short Time Pickup with I <sup>2</sup> t Short Delay and Ground Fault Protection	Independently Adjustable Short Time Pickup and Ground Fault Protection				
	Catalog Number									

## 3-Pole

800	CMDL3800F	CHMDL3800F	MES3800LS	MES3800LSI	MES3800LSG	MES3800LSIG	400 500 600 700 800	8MES400T 8MES500T 8MES600T 8MES700T 8MES800T	400/500/600/800 A8MES800T	See Page 72 for Standard and Optional Terminals
-----	-----------	------------	-----------	------------	------------	-------------	---------------------------------	--	------------------------------	---

Instruction Leaflet/FRED Number 29C111 for Breaker; 29C615 for MES Trip Unit

① Ampere rating is established by rating plug.

② For Ac use only.

**Molded Case Switches**

Molded case switches are used as compact switches in applications requiring high current switching capabilities. Molded case switches are constructed of circuit breaker components and are of the high instantaneous automatic type. Molded case switches are listed in accordance with Underwriters Laboratories, Inc., Standard UL 1087.

<b>Maximum Continuous Ampere Rating @ 40°C</b>	<b>600 Vac Maximum, 250 Vdc</b>
	<b>Circuit Breaker Only without Line and Load Terminals</b>
	<b>Catalog Number</b>

**2-Pole**

800	<b>MDL2800WK</b>
-----	------------------

**3-Pole**

800	<b>MDL3800WK</b>
-----	------------------

**Note:** Molded case switch may trip above 6000 amperes.

Instruction Leaflet/FRED Number 29C111

## Series C® M-Frame

### Line and Load Terminals

M-Frame circuit breakers use Cu/Al terminals as standard. When optional copper or Cu/Al terminals are required, order by catalog number. Specify if factory installation is required.

### Line and Load Terminals

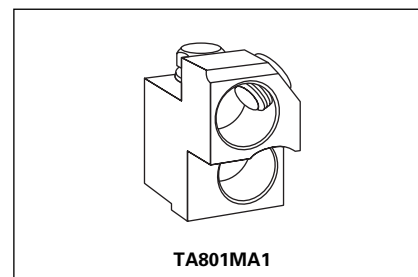
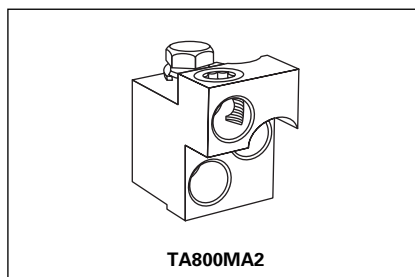
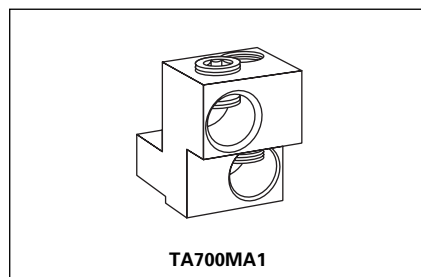
Maximum Breaker Amperes	Terminal Body Material	Wire Type	AWG Wire Range/ No. Conductors	Terminal Catalog Number	Terminals with Control Wire Termination Catalog Number
-------------------------	------------------------	-----------	-----------------------------------	-------------------------	--

#### Standard Cu/Al Pressure Terminals

600	Aluminum	Cu/Al	(2) #1-500 kcmil	<b>TA700MA1</b>	<b>TA700MA1CWT</b>
800	Aluminum	Cu/Al	(3) 3/0-400 kcmil	<b>TA800MA2</b>	<b>TA800MA2CWT</b>
800	Aluminum	Cu/Al	(2) 500-750 kcmil	<b>TA801MA</b>	<b>TA801MACWT</b>

#### Optional Copper and Cu/Al Pressure Type Terminals

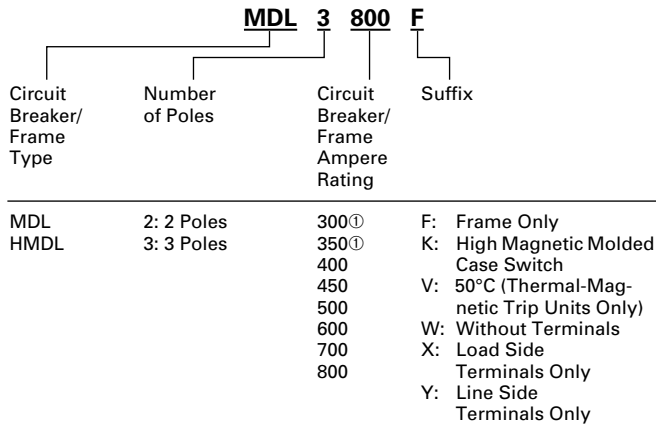
600	Copper	Cu	(2) 2/0-500 kcmil	<b>T600MA1</b>	—
800	Copper	Cu	(3) 3/0-300 kcmil	<b>T800MA1</b>	—



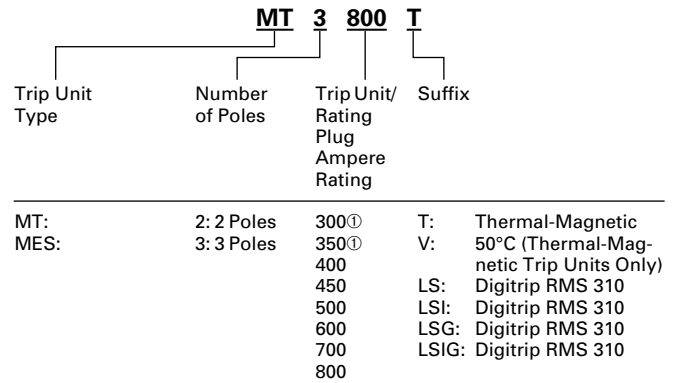
### Catalog Numbering System

This information is presented only as an aid to understanding catalog numbers. It is not to be used to build catalog numbers for circuit breakers or trip units.

#### Circuit Breaker/Frame Catalog Number



#### Thermal-Magnetic Trip Unit Catalog Number



### Dimensions/Weights

#### Dimensions, Inches (mm)

Number of Poles	Width	Height	Depth
2, 3	8.250 (210)	16.000 (406)	4.062 (103)

#### Approximate Shipping Weight, Lbs. (kg)

Breaker Type	Complete Breaker		Frame Only		Trip Unit <sup>①</sup>	
	Number of Poles					
	2	3	2	3	2	3
MDL, HMDL (T/M T.U.)	26.5	29	24.5	26	2.5	3
MDL, HMDL (Elec. T.U.)	-	30	-	26	-	4

<sup>①</sup> Thermal-Magnetic only.

## Series C® M-Frame

### Allowable Accessory Combinations

Different combinations of accessories can be supplied, depending on the types of accessories and the number of poles in the circuit breaker.

	Reference Page	2-Pole <sup>①</sup>		3-Pole		
		Left	Right	Left	Center	Right
<b>Internal Accessories (Only One Internal Accessory Per Pole)</b>						
Alarm Lockout (Make/Break)	140	■		■		■
Alarm Lockout (2Make/2Break)	140	■		■		■
Auxiliary Switch (1A, 1B)	143	■		■		■
Auxiliary Switch (2A, 2B)	143	■		■		■
Auxiliary Switch (3A, 3B)	143	■		■		■
Auxiliary Switch (1A, 1B) and Alarm Switch Combination	146	■		■		■
Auxiliary Switch (2A, 2B) and Alarm Switch Combination	146	■		■		■
Shunt Trip – Standard <sup>③</sup>	149	■		■		■
Shunt Trip – Low Energy <sup>③</sup>	152	■		■		■
Undervoltage Release Mechanism <sup>③</sup>	157	■		■		■

#### External Accessories

Base Mounting Hardware	163				●	
Terminal Shields	165				●	
Interphase Barriers	166				●	
Non-Padlockable Handle Block	168				■	
Padlockable Handle Lock Hasp	169	□		□		□
Key Interlock Kit	170	□		□		□
Sliding Bar Interlock – Requires Two Breakers	171	●			●	
Walking Beam Interlock – Requires Two Breakers	171	●			●	
Electrical (Motor) Operator	173	●			●	
Plug-in Adapters	174	●			●	
Rear Connecting Studs	176	●			●	
Panelboard Connecting Straps	177	●			●	
Handle Mechanisms	178	●			●	
Door Hardware/Accessories	182	●			●	
Handle Extension	182				●	
Solid-State (Electronic) Portable Test Kit	184	●			●	

#### Modifications (Refer to Cutler-Hammer)

Special Calibration	186	●			●	
Moisture Fungus Treatment	186	●			●	
Freeze-Tested Circuit Breakers	186	●			●	
Marine Application	186	●			●	

■ Applicable in indicated pole position

□ May be mounted on left or right pole – not both

● Accessory available/Modification available

① 2-pole breaker supplied in 3-pole frame. Current carrying parts omitted from center pole.

② Refer to Cutler-Hammer for appropriate neutral pole accessory combinations.

③ Shunt trip and UVR cannot be mounted in right poles on LES trip units.

Series C® N-Frame



Typical Series C N-Frame Circuit Breaker

- All N-frame circuit breakers are suitable for reverse feed use.

Interrupting Capacity Ratings

UL489 Interrupting Capacity Ratings<sup>①</sup>

Circuit Breaker Type	Number of Poles	Interrupting Capacity (Symmetrical Amperes) (kA)					Page Number
		Volts Ac (50/60 Hz)					
		240	277	480	600	125	
ND	2, 3, 4	65	—	50	25	—	77, 83
CND <sup>②</sup>	2, 3, 4	65	—	50	25	—	80, 84
HND	2, 3, 4	100	—	65	35	—	78, 83
CHND <sup>②</sup>	2, 3, 4	100	—	65	35	—	81, 84
NDC	2, 3, 4	200	—	100	50	—	79, 83
CNDC <sup>②</sup>	2, 3, 4	200	—	100	50	—	82, 84

IEC 947-2 Interrupting Capacity Ratings<sup>①</sup>

Circuit Breaker Type	Number of Poles	Interrupting Capacity (Symmetrical Amperes) (kA)			Page Number
		Volts Ac (50/60 Hz)			
		240	415	690	
ND	2, 3, 4	85	50	20	77, 83
		85	50	10	
CND <sup>②</sup>	2, 3, 4	85	50	20	80, 84
		85	50	10	
HND	2, 3, 4	100	70	25	78, 83
		100	50	13	
CHND <sup>②</sup>	2, 3, 4	100	70	25	81, 84
		100	50	13	
NDC	2, 3, 4	200	100	35	79, 83
		100	50	18	
CNDC <sup>②</sup>	2, 3, 4	200	100	35	82, 84
		100	50	18	

<sup>①</sup> Utilization Category A circuit breakers.

<sup>②</sup> 100% rated breakers.



## Series C® N-Frame

## N-Frame Digitrip Selection Guide

Trip Unit Type	Digitrip RMS 310		Digitrip OPTIM 550	Digitrip OPTIM 750	Digitrip OPTIM 1050
RMS Sensing	Yes		Yes	Yes	Yes
<b>Breaker Type</b>					
Frame	N		N	N	N
Ampere Range	400A-1200A		400A-1200A	400A-1200A	400A-1200A
Interrupting Rating @ 480V	50, 65, 100 (kA)		50, 65, 100 (kA)	50, 65, 100 (kA)	50, 65, 100 (kA)
<b>Protection</b>					
Ordering Options	LS, LSG	LSI, LSIG	LSI, LSIG, LSI(A)	LSI(A), LSIG	LSI(A), LISG
Fixed Rated Plug (I <sub>n</sub> )	Yes	Yes	Yes	Yes	Yes
Overtemperature Trip	Yes	Yes	Yes	Yes	Yes
<b>Long Delay Protection (L)</b>					
Adjustable Rating Plug (I <sub>n</sub> )	Yes	Yes	No	No	No
Long Delay Pickup	0.5-1.0 (I <sub>n</sub> ) <sup>①</sup>	0.5-1.0 (I <sub>n</sub> ) <sup>①</sup>	0.4-1.0 x (I <sub>n</sub> )	0.4-1.0 x (I <sub>n</sub> )	0.4-1.0 x (I <sub>n</sub> )
Long Delay Time I <sup>2</sup> T	12 Seconds	12 Seconds	2-24 Seconds	2-24 Seconds	2-24 Seconds
Long Delay Time I <sup>4</sup> T	No	No	1-5 Seconds	1-5 Seconds	1-5 Seconds
Long Delay Thermal Memory	Yes	Yes	Yes	Yes	Yes
High Load Alarm	No	No	No	0.5-1.0 x I <sub>r</sub>	0.5-1.0 x I <sub>r</sub>
<b>Short Delay Protection (S)</b>					
Short Delay Pickup	200-800% x (I <sub>n</sub> )	200-800% x (I <sub>n</sub> )	150-800% x (I <sub>r</sub> )	150-800% x (I <sub>r</sub> )	150-800% x (I <sub>r</sub> )
Short Delay Time I <sup>2</sup> T	100 ms	No	100-500 ms	100-500 ms	100-500 ms
Short Delay Time Flat	No	Inst-300 ms	100-500 ms	100-500 ms	100-500 ms
Short Delay Time Zone Selective Interlocking	No	No	Yes	Yes	Yes
<b>Instantaneous Protection (I)</b>					
Instantaneous Pickup	No	200-800% x (I <sub>n</sub> )	200-800% x (I <sub>n</sub> )	200-800% x (I <sub>n</sub> )	200-800% x (I <sub>n</sub> )
Discriminator	No	No	Yes	Yes	Yes
Instantaneous Override	Yes	Yes	Yes	Yes	Yes
<b>Ground Fault Protection (G)</b>					
Ground Fault Alarm	No	No	20-100% x (I <sub>s</sub> )	20-100% x (I <sub>s</sub> )	20-100% x (I <sub>s</sub> )
Ground Fault Pickup	Varies by Frame <sup>②</sup>	Varies by Frame <sup>②</sup>	20-100% x (I <sub>s</sub> )	20-100% x (I <sub>s</sub> )	20-100% x (I <sub>s</sub> )
Ground Fault Delay I <sup>2</sup> T	No	No	100-500 ms	100-500 ms	100-500 ms
Ground Fault Delay Flat	Inst-500 ms	Inst-500 ms	100-500 ms	100-500 ms	100-500 ms
Ground Fault Zone Selective Interlocking	No	No	No	Yes	Yes
Ground Fault Thermal Memory	Yes	Yes	Yes	Yes	Yes
<b>System Diagnostics</b>					
Status LEDs	Yes	Yes	Yes	Yes	Yes
Cause of Trip LEDs	No	No	Yes	Yes	Yes
Magnitude of Trip Information	No	No	Yes	Yes	Yes
Remote Signal Contact – Ground Alarm	Yes	Yes	No	Yes	Yes
Local Auxiliary and Bell Alarm Contact	Optional	Optional	Optional	Included	Included
<b>System Monitoring</b>					
Digital Display	No	No	Yes <sup>②</sup>	Yes <sup>②</sup>	Yes <sup>②</sup>
Current	No	No	Yes	Yes	Yes
Power and Energy	No	No	No	No	Yes
Power Quality-Harmonics	No	No	No	No	Yes
Power Factor	No	No	No	No	Yes
<b>Communications</b>					
Cutler-Hammer PowerNet	No	No	No <sup>③</sup>	Yes	Yes
<b>Testing</b>					
Testing Method	Test Set		OPTIMizer, BIM, Cutler-Hammer PowerNet	OPTIMizer, BIM, Cutler-Hammer PowerNet	OPTIMizer, BIM, Cutler-Hammer PowerNet

① Adjust by rating plug.

② By OPTIMizer/BIM.

③ Cutler-Hammer PowerNet kit for field upgrade.

BIM = Breaker Interface Module

(A) = GF Alarm

I<sub>s</sub> = Sensor RatingI<sub>n</sub> = Rating PlugI<sub>r</sub> = Long Delay Pickup Setting

Series C® N-Frame

Type ND Electronic Circuit Breakers with Non-Interchangeable Trip Units

Order as individual components: Breaker Frame, Rating Plug, Terminals

Maximum Continuous Ampere Rating @ 40°C	Digitrip RMS 310 Circuit Breaker Frame Only				Digitrip RMS 310 Rating Plug Only			Standard Terminals Only <sup>①</sup>  See Page 85 for Optional Terminals
	Standard Interrupting Capacity 600 Volt Ac Rated 50 kAIC @ 480 Vac				Ampere Rating	Fixed Rating Plugs	Adjustable Rating Plug	
	Standard		Options					
	Adjustable Short Time Delay with I <sup>2</sup> t Short Delay Ramp	Independently Adjustable Short Time Pickup and Delay	Adjustable Short Time Pickup with I <sup>2</sup> t Short Delay and Ground Fault Protection	Independently Adjustable Short Time Pickup and Delay and Ground Fault Protection				
Catalog Number								

2-Pole

800	ND2800T33W	ND2800T32W	ND2800T35W	ND2800T36W	400 450 500 600 700 800	8NES400T 8NES450T 8NES500T 8NES600T 8NES700T 8NES800T	Adjustable Settings are: 400, 500, 600, 800 A8NES800T1	TA700NB1 TA700NB1 TA700NB1 TA700NB1 TA700NB1 TA1000NB1
-----	------------	------------	------------	------------	--	--	--	---

3-Pole

800	ND3800T33W	ND3800T32W	ND3800T35W	ND3800T36W	400 450 500 600 700 800	8NES400T 8NES450T 8NES500T 8NES600T 8NES700T 8NES800T	Adjustable Settings are: 400, 500, 600, 800 A8NES800T1	TA700NB1 TA700NB1 TA700NB1 TA700NB1 TA700NB1 TA1000NB1
-----	------------	------------	------------	------------	--	--	--	---

4-Pole<sup>②</sup>

800	ND4800T33W	ND4800T32W	-	-	400 450 500 600 700 800	8NES400T 8NES450T 8NES500T 8NES600T 8NES700T 8NES800T	Adjustable Settings are: 400, 500, 600, 800 A8NES800T1	TA700NB1 TA700NB1 TA700NB1 TA700NB1 TA700NB1 TA1000NB1
-----	------------	------------	---	---	--	--	--	---

2-Pole

1200	ND212T33W	ND212T32W	ND212T35W	ND212T36W	600 700 800 900 1000 1200	12NES600T 12NES700T 12NES800T 12NES900T 12NES1000T 12NES1200T	Adjustable Settings are: 600, 800, 1000, 1200 A12NES1200T1	TA700NB1 TA700NB1 TA1000NB1 TA1000NB1 TA1000NB1 TA1200NB1
------	-----------	-----------	-----------	-----------	--	--	--	--

3-Pole

1200	ND312T33W	ND312T32W	ND312T35W	ND312T36W	600 700 800 900 1000 1200	12NES600T 12NES700T 12NES800T 12NES900T 12NES1000T 12NES1200T	Adjustable Settings are: 600, 800, 1000, 1200 A12NES1200T1	TA700NB1 TA700NB1 TA1000NB1 TA1000NB1 TA1000NB1 TA1200NB1
------	-----------	-----------	-----------	-----------	--	--	--	--

4-Pole<sup>②</sup>

1200	ND412T33W	ND412T32W	-	-	600 700 800 900 1000 1200	12NES600T 12NES700T 12NES800T 12NES900T 12NES1000T 12NES1200T	Adjustable Settings are: 600, 800, 1000, 1200 A12NES1200T1	TA700NB1 TA700NB1 TA1000NB1 TA1000NB1 TA1000NB1 TA1200NB1
------	-----------	-----------	---	---	--	--	--	--

Instruction Leaflet/FRED Number 29C106

① Two terminals are required per pole.

② Neutral is in right pole.

## Series C® N-Frame

### Type HND Electronic Circuit Breakers with Non-Interchangeable Trip Units

Order as individual components: Breaker Frame, Rating Plug, Terminals

Maximum Continuous Ampere Rating @ 40°C	Digitrip RMS 310 Circuit Breaker Frame Only				Digitrip RMS 310 Rating Plug Only			Standard Terminals Only <sup>①</sup>  See Page 85 for Optional Terminals
	High Interrupting Capacity 600 Volt Ac Rated 65 kAIC @ 480 Vac				Ampere Rating	Fixed Rating Plugs	Adjustable Rating Plug	
	Standard		Options					
	Adjustable Short Time Delay with I <sup>2</sup> t Short Delay Ramp	Independently Adjustable Short Time Pickup and Delay	Adjustable Short Time Pickup with I <sup>2</sup> t Short Delay and Ground Fault Protection	Independently Adjustable Short Time Pickup and Delay and Ground Fault Protection				
Catalog Number								

## 2-Pole

800	HND2800T33W	HND2800T32W	HND2800T35W	HND2800T36W	400 450 500 600 700 800	8NES400T 8NES450T 8NES500T 8NES600T 8NES700T 8NES800T	Adjustable Settings are: 400, 500, 600, 800 A8NES800T1	TA700NB1 TA700NB1 TA700NB1 TA700NB1 TA700NB1 TA1000NB1
-----	-------------	-------------	-------------	-------------	--	--	--	---

## 3-Pole

800	HND3800T33W	HND3800T32W	HND3800T35W	HND3800T36W	400 450 500 600 700 800	8NES400T 8NES450T 8NES500T 8NES600T 8NES700T 8NES800T	Adjustable Settings are: 400, 500, 600, 800 A8NES800T1	TA700NB1 TA700NB1 TA700NB1 TA700NB1 TA700NB1 TA1000NB1
-----	-------------	-------------	-------------	-------------	--	--	--	---

4-Pole<sup>②</sup>

800	HND4800T33W	HND4800T32W	—	—	400 450 500 600 700 800	8NES400T 8NES450T 8NES500T 8NES600T 8NES700T 8NES800T	Adjustable Settings are: 400, 500, 600, 800 A8NES800T1	TA700NB1 TA700NB1 TA700NB1 TA700NB1 TA700NB1 TA1000NB1
-----	-------------	-------------	---	---	--	--	--	---

## 2-Pole

1200	HND212T33W	HND212T32W	HND212T35W	HND212T36W	600 700 800 900 1000 1200	12NES600T 12NES700T 12NES800T 12NES900T 12NES1000T 12NES1200T	Adjustable Settings are: 600, 800, 1000, 1200 A12NES1200T1	TA700NB1 TA700NB1 TA1000NB1 TA1000NB1 TA1000NB1 TA1200NB1
------	------------	------------	------------	------------	--	--	--	--

## 3-Pole

1200	HND312T33W	HND312T32W	HND312T35W	HND312T36W	600 700 800 900 1000 1200	12NES600T 12NES700T 12NES800T 12NES900T 12NES1000T 12NES1200T	Adjustable Settings are: 600, 800, 1000, 1200 A12NES1200T1	TA700NB1 TA700NB1 TA1000NB1 TA1000NB1 TA1000NB1 TA1200NB1
------	------------	------------	------------	------------	--	--	--	--

4-Pole<sup>②</sup>

1200	HND412T33W	HND412T32W	—	—	600 700 800 900 1000 1200	12NES600T 12NES700T 12NES800T 12NES900T 12NES1000T 12NES1200T	Adjustable Settings are: 600, 800, 1000, 1200 A12NES1200T1	TA700NB1 TA700NB1 TA1000NB1 TA1000NB1 TA1000NB1 TA1200NB1
------	------------	------------	---	---	--	--	--	--

Instruction Leaflet/FRED Number 29C106

① Two terminals are required per pole.

② Neutral is in right pole.

Series C® N-Frame

Type NDC Electronic Circuit Breakers with Non-Interchangeable Trip Units

Order as individual components: Breaker Frame, Rating Plug, Terminals

Maximum Continuous Ampere Rating @ 40°C	Digitrip RMS 310 Circuit Breaker Frame Only				Digitrip RMS 310 Rating Plug Only			Standard Terminals Only <sup>①</sup>  See Page 85 for Optional Terminals
	Ultra High Interrupting Capacity 600 Volt Ac Rated 100 kAIC @ 480 Vac				Ampere Rating	Fixed Rating Plugs	Adjustable Rating Plug	
	Standard	Options						
	Adjustable Short Time Delay with I <sup>2</sup> t Short Delay Ramp	Independently Adjustable Short Time Pickup and Delay	Adjustable Short Time Pickup with I <sup>2</sup> t Short Delay and Ground Fault Protection	Independently Adjustable Short Time Pickup and Delay and Ground Fault Protection				
Catalog Number								

2-Pole

800	NDC2800T33W	NDC2800T32W	NDC2800T35W	NDC2800T36W	400	8NES400T	Adjustable Settings are: 400, 500, 600, 800 A8NES800T1	TA700NB1 TA700NB1 TA700NB1 TA700NB1 TA700NB1 TA1000NB1
					450	8NES450T		
					500	8NES500T		
					600	8NES600T		
					700	8NES700T		
					800	8NES800T		

3-Pole

800	NDC3800T33W	NDC3800T32W	NDC3800T35W	NDC3800T36W	400	8NES400T	Adjustable Settings are: 400, 500, 600, 800 A8NES800T1	TA700NB1 TA700NB1 TA700NB1 TA700NB1 TA700NB1 TA1000NB1
					450	8NES450T		
					500	8NES500T		
					600	8NES600T		
					700	8NES700T		
					800	8NES800T		

4-Pole<sup>②</sup>

800	NDC4800T33W	NDC4800T32W	-	-	400	8NES400T	Adjustable Settings are: 400, 500, 600, 800 A8NES800T1	TA700NB1 TA700NB1 TA700NB1 TA700NB1 TA700NB1 TA1000NB1
					450	8NES450T		
					500	8NES500T		
					600	8NES600T		
					700	8NES700T		
					800	8NES800T		

2-Pole

1200	NDC212T33W	NDC212T32W	NDC212T35W	NDC212T36W	600	12NES600T	Adjustable Settings are: 600, 800, 1000, 1200 A12NES1200T1	TA700NB1 TA700NB1 TA1000NB1 TA1000NB1 TA1000NB1 TA1200NB1
					700	12NES700T		
					800	12NES800T		
					900	12NES900T		
					1000	12NES1000T		
					1200	12NES1200T		

3-Pole

1200	NDC312T33W	NDC312T32W	NDC312T35W	NDC312T36W	600	12NES600T	Adjustable Settings are: 600, 800, 1000, 1200 A12NES1200T1	TA700NB1 TA700NB1 TA1000NB1 TA1000NB1 TA1000NB1 TA1200NB1
					700	12NES700T		
					800	12NES800T		
					900	12NES900T		
					1000	12NES1000T		
					1200	12NES1200T		

4-Pole<sup>②</sup>

1200	NDC412T33W	NDC412T32W	-	-	600	12NES600T	Adjustable Settings are: 600, 800, 1000, 1200 A12NES1200T1	TA700NB1 TA700NB1 TA1000NB1 TA1000NB1 TA1000NB1 TA1200NB1
					700	12NES700T		
					800	12NES800T		
					900	12NES900T		
					1000	12NES1000T		
					1200	12NES1200T		

Instruction Leaflet/FRED Number 29C106

① Two terminals are required per pole.

② Neutral is in right pole.

## Series C® N-Frame

### 100% Rated Type CND Electronic Circuit Breakers with Non-Interchangeable Trip Units

The NEC allows the breaker to be rated at 100% of its frame size in an assembly, provided that 90°C wire is applied at the 75°C ampacity. Order as individual components: Breaker Frame, Rating Plug, Terminals

Maximum Continuous Ampere Rating @ 40°C	Digitrip RMS 310 Circuit Breaker Frame Only				Digitrip RMS 310 Rating Plug Only			Standard Terminals Only <sup>①</sup>  See Page 85 for Optional Terminals
	Standard Interrupting Capacity 600 Volt Ac Rated 50 kAIC @ 480 Vac				Ampere Rating	Fixed Rating Plugs	Adjustable Rating Plug	
	Standard		Options					
	Adjustable Short Time Delay with I <sup>2</sup> t Short Delay Ramp	Independently Adjustable Short Time Pickup and Delay	Adjustable Short Time Pickup with I <sup>2</sup> t Short Delay and Ground Fault Protection	Independently Adjustable Short Time Pickup and Delay and Ground Fault Protection				
Catalog Number								

## 2-Pole

800	CND2800T33W	CND2800T32W	CND2800T35W	CND2800T36W	400 450 500 600 700 800	8NES400T 8NES450T 8NES500T 8NES600T 8NES700T 8NES800T	Adjustable Settings are: 400, 500, 600, 800 A8NES800T1	TA700NB1 TA700NB1 TA700NB1 TA700NB1 TA700NB1 TA1000NB1
-----	-------------	-------------	-------------	-------------	--	--	--	---

## 3-Pole

800	CND3800T33W	CND3800T32W	CND3800T35W	CND3800T36W	400 450 500 600 700 800	8NES400T 8NES450T 8NES500T 8NES600T 8NES700T 8NES800T	Adjustable Settings are: 400, 500, 600, 800 A8NES800T1	TA700NB1 TA700NB1 TA700NB1 TA700NB1 TA700NB1 TA1000NB1
-----	-------------	-------------	-------------	-------------	--	--	--	---

4-Pole<sup>②</sup>

800	CND4800T33W	CND4800T32W	—	—	400 450 500 600 700 800	8NES400T 8NES450T 8NES500T 8NES600T 8NES700T 8NES800T	Adjustable Settings are: 400, 500, 600, 800 A8NES800T1	TA700NB1 TA700NB1 TA700NB1 TA700NB1 TA700NB1 TA1000NB1
-----	-------------	-------------	---	---	--	--	--	---

## 2-Pole

1200	CND212T33W	CND212T32W	CND212T35W	CND212T36W	600 700 800 900 1000 1200	12NES600T 12NES700T 12NES800T 12NES900T 12NES1000T 12NES1200T	Adjustable Settings are: 600, 800, 1000, 1200 A12NES1200T1	TA700NB1 TA700NB1 TA1000NB1 TA1000NB1 TA1000NB1 TA1200NB1
------	------------	------------	------------	------------	--	--	--	--

## 3-Pole

1200	CND312T33W	CND312T32W	CND312T35W	CND312T36W	600 700 800 900 1000 1200	12NES600T 12NES700T 12NES800T 12NES900T 12NES1000T 12NES1200T	Adjustable Settings are: 600, 800, 1000, 1200 A12NES1200T1	TA700NB1 TA700NB1 TA1000NB1 TA1000NB1 TA1000NB1 TA1200NB1
------	------------	------------	------------	------------	--	--	--	--

4-Pole<sup>②</sup>

1200	CND412T33W	CND412T32W	—	—	600 700 800 900 1000 1200	12NES600T 12NES700T 12NES800T 12NES900T 12NES1000T 12NES1200T	Adjustable Settings are: 600, 800, 1000, 1200 A12NES1200T1	TA700NB1 TA700NB1 TA1000NB1 TA1000NB1 TA1000NB1 TA1200NB1
------	------------	------------	---	---	--	--	--	--

Instruction Leaflet/FRED Number 29C106

① Two terminals are required per pole.

② Neutral is in right pole.

Series C® N-Frame

100% Rated Type CHND Electronic Circuit Breakers with Non-Interchangeable Trip Units

The NEC allows the breaker to be rated at 100% of its frame size in an assembly, provided that 90°C wire is applied at the 75°C ampacity. Order as individual components: Breaker Frame, Rating Plug, Terminals

Maximum Continuous Ampere Rating @ 40°C	Digitrip RMS 310 Circuit Breaker Frame Only				Digitrip RMS 310 Rating Plug Only			Standard Terminals Only <sup>①</sup>
	High Interrupting Capacity 600 Volt Ac Rated 65 kAIC @ 480 Vac				Ampere Rating	Fixed Rating Plugs	Adjustable Rating Plug	See Page 85 for Optional Terminals
	Standard		Options					
	Adjustable Short Time Delay with I <sup>2</sup> t Short Delay Ramp	Independently Adjustable Short Time Pickup and Delay	Adjustable Short Time Pickup with I <sup>2</sup> t Short Delay and Ground Fault Protection	Independently Adjustable Short Time Pickup and Delay and Ground Fault Protection				
Catalog Number								

2-Pole

800	CHND2800T33W	CHND2800T32W	CHND2800T35W	CHND2800T36W	400 450 500 600 700 800	8NES400T 8NES450T 8NES500T 8NES600T 8NES700T 8NES800T	Adjustable Settings are: 400, 500, 600, 800 A8NES800T1	TA700NB1 TA700NB1 TA700NB1 TA700NB1 TA700NB1 TA1000NB1
-----	--------------	--------------	--------------	--------------	--	--	--	---

3-Pole

800	CHND3800T33W	CHND3800T32W	CHND3800T35W	CHND3800T36W	400 450 500 600 700 800	8NES400T 8NES450T 8NES500T 8NES600T 8NES700T 8NES800T	Adjustable Settings are: 400, 500, 600, 800 A8NES800T1	TA700NB1 TA700NB1 TA700NB1 TA700NB1 TA700NB1 TA1000NB1
-----	--------------	--------------	--------------	--------------	--	--	--	---

4-Pole<sup>②</sup>

800	CHND4800T33W	CHND4800T32W	-	-	400 450 500 600 700 800	8NES400T 8NES450T 8NES500T 8NES600T 8NES700T 8NES800T	Adjustable Settings are: 400, 500, 600, 800 A8NES800T1	TA700NB1 TA700NB1 TA700NB1 TA700NB1 TA700NB1 TA1000NB1
-----	--------------	--------------	---	---	--	--	--	---

2-Pole

1200	CHND212T33W	CHND212T32W	CHND212T35W	CHND212T36W	600 700 800 900 1000 1200	12NES600T 12NES700T 12NES800T 12NES900T 12NES1000T 12NES1200T	Adjustable Settings are: 600, 800, 1000, 1200 A12NES1200T1	TA700NB1 TA700NB1 TA1000NB1 TA1000NB1 TA1000NB1 TA1200NB1
------	-------------	-------------	-------------	-------------	--	--	--	--

3-Pole

1200	CHND312T33W	CHND312T32W	CHND312T35W	CHND312T36W	600 700 800 900 1000 1200	12NES600T 12NES700T 12NES800T 12NES900T 12NES1000T 12NES1200T	Adjustable Settings are: 600, 800, 1000, 1200 A12NES1200T1	TA700NB1 TA700NB1 TA1000NB1 TA1000NB1 TA1000NB1 TA1200NB1
------	-------------	-------------	-------------	-------------	--	--	--	--

4-Pole<sup>②</sup>

1200	CHND412T33W	CHND412T32W	-	-	600 700 800 900 1000 1200	12NES600T 12NES700T 12NES800T 12NES900T 12NES1000T 12NES1200T	Adjustable Settings are: 600, 800, 1000, 1200 A12NES1200T1	TA700NB1 TA700NB1 TA1000NB1 TA1000NB1 TA1000NB1 TA1200NB1
------	-------------	-------------	---	---	--	--	--	--

Instruction Leaflet/FRED Number 29C106

① Two terminals are required per pole.

② Neutral is in right pole.

## Series C® N-Frame

### 100% Rated Type CNDC Electronic Circuit Breakers with Non-Interchangeable Trip Units

The NEC allows the breaker to be rated at 100% of its frame size in an assembly, provided that 90°C wire is applied at the 75°C ampacity. Order as individual components: Breaker Frame, Rating Plug, Terminals

Maximum Continuous Ampere Rating @ 40°C	Digitrip RMS 310 Circuit Breaker Frame Only				Digitrip RMS 310 Rating Plug Only			Standard Terminals Only <sup>①</sup>  See Page 85 for Optional Terminals
	Ultra High Interrupting Capacity 600 Volt Ac Rated 100 kAIC @ 480 Vac				Ampere Rating	Fixed Rating Plugs	Adjustable Rating Plug	
	Standard		Options				Adjustable Ampere Ratings Catalog Number	
	Adjustable Short Time Delay with I <sup>2</sup> t Short Delay Ramp	Independently Adjustable Short Time Pickup and Delay	Adjustable Short Time Pickup with I <sup>2</sup> t Short Delay and Ground Fault Protection	Independently Adjustable Short Time Pickup and Delay and Ground Fault Protection				
Catalog Number								

## 2-Pole

800	CNDC2800T33W	CNDC2800T32W	CNDC2800T35W	CNDC2800T36W	400 450 500 600 700 800	8NES400T 8NES450T 8NES500T 8NES600T 8NES700T 8NES800T	Adjustable Settings are: 400, 500, 600, 800 A8NES800T1	TA700NB1 TA700NB1 TA700NB1 TA700NB1 TA700NB1 TA1000NB1
-----	--------------	--------------	--------------	--------------	--	--	--	---

## 3-Pole

800	CNDC3800T33W	CNDC3800T32W	CNDC3800T35W	CNDC3800T36W	400 450 500 600 700 800	8NES400T 8NES450T 8NES500T 8NES600T 8NES700T 8NES800T	Adjustable Settings are: 400, 500, 600, 800 A8NES800T1	TA700NB1 TA700NB1 TA700NB1 TA700NB1 TA700NB1 TA1000NB1
-----	--------------	--------------	--------------	--------------	--	--	--	---

4-Pole<sup>②</sup>

800	CNDC4800T33W	CNDC4800T32W	-	-	400 450 500 600 700 800	8NES400T 8NES450T 8NES500T 8NES600T 8NES700T 8NES800T	Adjustable Settings are: 400, 500, 600, 800 A8NES800T1	TA700NB1 TA700NB1 TA700NB1 TA700NB1 TA700NB1 TA1000NB1
-----	--------------	--------------	---	---	--	--	--	---

## 2-Pole

1200	CNDC212T33W	CNDC212T32W	CNDC212T35W	CNDC212T36W	600 700 800 900 1000 1200	12NES600T 12NES700T 12NES800T 12NES900T 12NES1000T 12NES1200T	Adjustable Settings are: 600, 800, 1000, 1200 A12NES1200T1	TA700NB1 TA700NB1 TA1000NB1 TA1000NB1 TA1000NB1 TA1200NB1
------	-------------	-------------	-------------	-------------	--	--	--	--

## 3-Pole

1200	CNDC312T33W	CNDC312T32W	CNDC312T35W	CNDC312T36W	600 700 800 900 1000 1200	12NES600T 12NES700T 12NES800T 12NES900T 12NES1000T 12NES1200T	Adjustable Settings are: 600, 800, 1000, 1200 A12NES1200T1	TA700NB1 TA700NB1 TA1000NB1 TA1000NB1 TA1000NB1 TA1200NB1
------	-------------	-------------	-------------	-------------	--	--	--	--

4-Pole<sup>②</sup>

1200	CNDC412T33W	CNDC412T32W	-	-	600 700 800 900 1000 1200	12NES600T 12NES700T 12NES800T 12NES900T 12NES1000T 12NES1200T	Adjustable Settings are: 600, 800, 1000, 1200 A12NES1200T1	TA700NB1 TA700NB1 TA1000NB1 TA1000NB1 TA1000NB1 TA1200NB1
------	-------------	-------------	---	---	--	--	--	--

Instruction Leaflet/FRED Number 29C106

<sup>①</sup> Two terminals are required per pole.

<sup>②</sup> Neutral is in right pole.

Series C® N-Frame

Digitrip OPTIM<sup>①</sup> Electronic Circuit Breakers with Interchangeable Rating Plugs

Order as individual components: Breaker Frame (which includes Trip Unit), Rating Plug, Terminals.

Maximum Continuous Ampere Rating @ 40°C	Circuit Breaker Frame Only						Digitrip OPTIM Rating Plug Only	
	L – Adjustable Long Delay Pickup ( $I_L$ ) with Adjustable Long Delay Time ( $I^2t$ or $I^4t$ Response) <sup>②</sup> S – Adjustable Short Delay Pickup with Adjustable Short Delay Time ( $I^2t$ or Flat Response) I – Adjustable Instantaneous Pickup G – Adjustable Ground Fault Pickup with Adjustable Ground Fault Time Delay ( $I^2t$ or Flat Response) A – Adjustable Ground Fault Alarm with Adjustable Ground Fault Time Delay ( $I^2t$ or Flat Response)						Ampere Rating	Fixed Rating Plug
	OPTIM 550	OPTIM 550	OPTIM 550	OPTIM 750	OPTIM 750	OPTIM 1050		
	LSI	LSIG	LSIA	LSIG	LSIA	LSIG	LSIA	
Catalog Number								

3-Pole Standard Interrupting Capacity 600 Volt Ac Rated 50 kAIC @ 480 Vac

800	ND3800T52W	ND3800T56W	ND3800T57W	ND3800T76W	ND3800T77W	ND3800T106W	ND3800T107W	400 450 500 550 600 700 800	ORPN80A400 ORPN80A450 ORPN80A500 ORPN80A550 ORPN80A600 ORPN80A700 ORPN80A800
1200	ND312T52W	ND312T56W	ND312T57W	ND312T76W	ND312T77W	ND312T106W	ND312T107W	600 700 800 1000 1200	ORPN80A600 ORPN80A700 ORPN80A800 ORPN80A100 ORPN80A120

3-Pole High Interrupting Capacity 600 Volt Ac Rated 65 kAIC @ 480 Vac

800	HND3800T52W	HND3800T56W	HND3800T57W	HND3800T76W	HND3800T77W	HND3800T106W	HND3800T107W	400 450 500 550 600 700 800	ORPN80A400 ORPN80A450 ORPN80A500 ORPN80A550 ORPN80A600 ORPN80A700 ORPN80A800
1200	HND312T52W	HND312T56W	HND312T57W	HND312T76W	HND312T77W	HND312T106W	HND312T107W	600 700 800 1000 1200	ORPN80A600 ORPN80A700 ORPN80A800 ORPN80A100 ORPN80A120

3-Pole Ultra High Interrupting Capacity 600 Volt Ac Rated 100 kAIC @ 480 Vac

800	NDC3800T52W	NDC3800T56W	NDC3800T57W	NDC3800T76W	NDC3800T77W	NDC3800T106W	NDC3800T107W	400 450 500 550 600 700 800	ORPN80A400 ORPN80A450 ORPN80A500 ORPN80A550 ORPN80A600 ORPN80A700 ORPN80A800
1200	NDC312T52W	NDC312T56W	NDC312T57W	NDC312T76W	NDC312T77W	NDC312T106W	NDC312T107W	600 700 800 1000 1200	ORPN80A600 ORPN80A700 ORPN80A800 ORPN80A100 ORPN80A120

Instruction Leaflet/FRED Number 29C106 for Breaker; 29C891 for OPTIM Trip

① 1 Form C auxiliary switch and 1 Form C bell (trip) alarm switch supplied with breaker as standard on models 750 and 1050.

② Long delay  $I^4t$  response selection limits short delay time to flat response.



**Series C® N-Frame**

**100% Rated Digitrip OPTIM<sup>①</sup> Circuit Breakers with Interchangeable Rating Plugs**

Order as individual components: Breaker Frame (which includes Trip Unit), Rating Plug, Terminals.

Maximum Continuous Ampere Rating @ 40°C	Circuit Breaker Frame Only						Digitrip OPTIM Rating Plug Only	
	L – Adjustable Long Delay Pickup (I <sub>2</sub> ) with Adjustable Long Delay Time (I <sup>2</sup> t or I <sup>4</sup> t Response) <sup>②</sup> S – Adjustable Short Delay Pickup with Adjustable Short Delay Time (I <sup>2</sup> t or Flat Response) I – Adjustable Instantaneous Pickup G – Adjustable Ground Fault Pickup with Adjustable Ground Fault Time Delay (I <sup>2</sup> t or Flat Response) A – Adjustable Ground Fault Alarm with Adjustable Ground Fault Time Delay (I <sup>2</sup> t or Flat Response)						Ampere Rating	Fixed Rating Plug
	OPTIM 550	OPTIM 550	OPTIM 550	OPTIM 750	OPTIM 750	OPTIM 1050		
	LSI	LSIG	LSIA	LSIG	LSIA	LSIG	LSIA	
Catalog Number								

**3-Pole Standard Interrupting Capacity 600 Volt Ac Rated 50 kAIC @ 480 Vac**

800	CND3800T52W	CND3800T56W	CND3800T57W	CND3800T76W	CND3800T77W	CND3800T106W	CND3800T107W	400 450 500 550 600 700 800	ORPN80A400 ORPN80A450 ORPN80A500 ORPN80A550 ORPN80A600 ORPN80A700 ORPN80A800
1200	CND312T52W	CND312T56W	CND312T57W	CND312T76W	CND312T77W	CND312T106W	CND312T107W	600 700 800 1000 1200	ORPN80A600 ORPN80A700 ORPN80A800 ORPN80A100 ORPN80A120

**3-Pole High Interrupting Capacity 600 Volt Ac Rated 65 kAIC @ 480 Vac**

800	CHND3800T52W	CHND3800T56W	CHND3800T57W	CHND3800T76W	CHND3800T77W	CHND3800T106W	CHND3800T107W	400 450 500 550 600 700 800	ORPN80A400 ORPN80A450 ORPN80A500 ORPN80A550 ORPN80A600 ORPN80A700 ORPN80A800
1200	CHND312T52W	CHND312T56W	CHND312T57W	CHND312T76W	CHND312T77W	CHND312T106W	CHND312T107W	600 700 800 1000 1200	ORPN80A600 ORPN80A700 ORPN80A800 ORPN80A100 ORPN80A120

**3-Pole Ultra High Interrupting Capacity 600 Volt Ac Rated 100 kAIC @ 480 Vac**

800	CNDC3800T52W	CNDC3800T56W	CNDC3800T57W	CNDC3800T76W	CNDC3800T77W	CNDC3800T106W	CNDC3800T107W	400 450 500 550 600 700 800	ORPN80A400 ORPN80A450 ORPN80A500 ORPN80A550 ORPN80A600 ORPN80A700 ORPN80A800
1200	CNDC312T52W	CNDC312T56W	CNDC312T57W	CNDC312T76W	CNDC312T77W	CNDC312T106W	CNDC312T107W	600 700 800 1000 1200	ORPN80A600 ORPN80A700 ORPN80A800 ORPN80A100 ORPN80A120

Instruction Leaflet/FRED Number 29C106 for Breaker; 29C891 for OPTIM Trip

① 1 Form C auxiliary switch and 1 Form C bell (trip) alarm switch supplied with breaker as standard on models 750 and 1050.

② Long delay I<sup>4</sup>t response selection limits short delay time to flat response.

**Type ND Molded Case Switches**

Continuous Ampere Rating @ 40°C	Catalog Number		
	2-Pole	3-Pole	4-Pole <sup>①</sup>
Complete with Standard Line and Load Terminals (shipped separately)			
Type ND – High Instantaneous (K)			
800	–	ND3800WK	ND4800WK
Type ND – High Instantaneous (K)			
1200	–	ND312WK	ND412WK

**Note:** Molded case switch may trip above 14,000 amperes.

For UL listed, series tested molded case switch application data, refer to Cutler-Hammer.

Instruction Leaflet/FRED Number 29C106

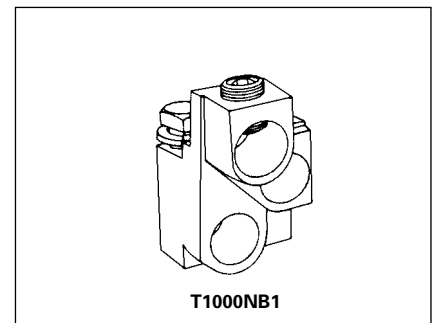
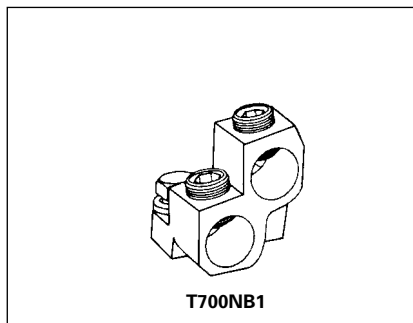
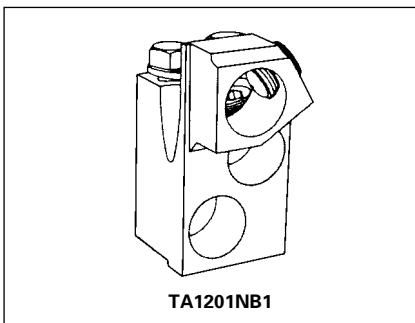
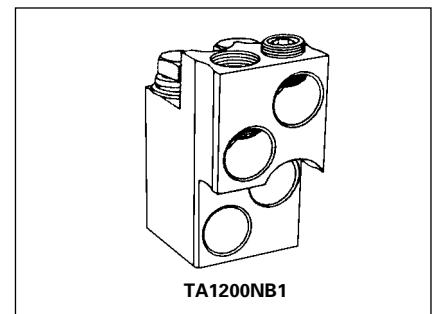
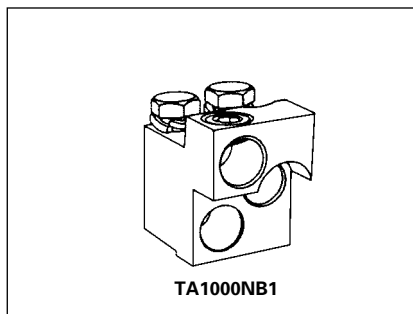
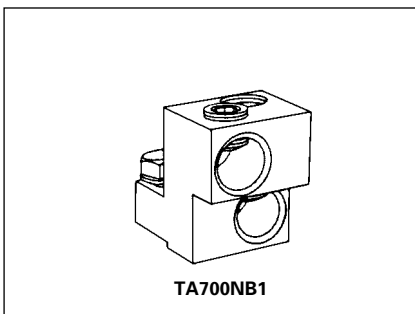
**Line and Load Terminals**

**Ordering Information**

N-frame circuit breakers use Cu/Al terminals as standard. When optional copper or Cu/Al terminals are required, order by catalog number. Specify if factory installation is required.

**Line and Load Terminals**

Maximum Breaker Amperes	Terminal Body Material	Wire Type	AWG Wire Range/No. Conductors	Metric Wire Range mm <sup>2</sup>	Catalog Number
<b>Standard Cu/Al Pressure Terminals</b>					
700	Aluminum	Cu/Al	(2) 1-500 kcmil	50-300	<b>TA700NB1</b>
1000	Aluminum	Cu/Al	(3) 3/0-400 kcmil	95-185	<b>TA1000NB1<sup>②</sup></b>
1200	Aluminum	Cu/Al	(4) 4/0-500 kcmil	120-300	<b>TA1200NB1<sup>②</sup></b>
1200	Aluminum	Cu/Al	(3) 500-750 kcmil	300-400	<b>TA1201NB1<sup>③</sup></b>
<b>Optional Copper and Cu/Al Pressure Type Terminals</b>					
700	Copper	Cu	(2) 2/0-500 kcmil	70-300	<b>T700NB1</b>
1000	Copper	Cu	(3) 3/0-500 kcmil	95-300	<b>T1000NB1</b>
1200	Copper	Cu	(4) 3/0-400 kcmil	95-185	<b>T1200NB3</b>



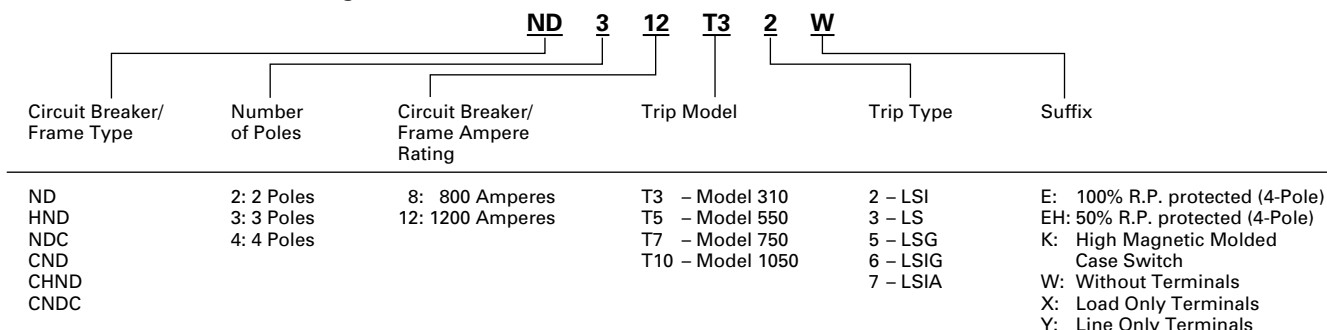
- ① Neutral is in right pole.
- ② Terminal rating is A19 Cu.
- ③ Terminal rating is A17 Cu.

## Series C® N-Frame

## Catalog Numbering System

This information is presented only as an aid to understanding catalog numbers. It is not to be used to build catalog numbers for circuit breakers or trip units.

### Circuit Breaker/Frame Catalog Number



## Dimensions/Weights

### Dimensions, Inches (mm)

Number of Poles	Width	Height	Depth
2, 3	8.25 (210)	16 (407)	5.5 (140)
4	11.125 (283)	16 (407)	5.5 (140)

### Approximate Shipping Weight, Lbs. (kg)

Breaker Type	Complete Breaker		
	Number of Poles		
	2	3	4
ND, HND, NDC	37 (16.783)	45 (20.412)	58 (26.308)

### Allowable Accessory Combinations

Different combinations of accessories can be supplied, depending on the types of accessories and the number of poles in the circuit breaker.

	Reference Page	3-Pole			4-Pole			
		Left	Center	Right	Left	Center	Right	Neu.
<b>Internal Accessories (Only One Internal Accessory Per Pole)①</b>								
Alarm Lockout (Make/Break)	141	■		■	■		■	
Alarm Lockout (2Make/2Break)	141	■		■	■		■	
Auxiliary Switch (1A, 1B)	144	■		■	■		■	
Auxiliary Switch (2A, 2B)	144	■		■	■		■	
Auxiliary Switch (3A, 3B)	144	■		■	■		■	
Auxiliary Switch (1A 1B) and Alarm Switch Combination	146	■		■	■		■	
Auxiliary Switch (2A 2B) and Alarm Switch Combination	146	■		■	■		■	
Shunt Trip – Standard	150	■			■			
Shunt Trip – Low Energy	152	■			■			
Undervoltage Release Mechanism	158	■			■			
Cutler-Hammer PowerNet Communications Kit (OPTIM 550)	160			■				

**External Accessories**

Base Mounting Hardware	163		●				●	
Interphase Barriers	166		●				●	
Non-Padlockable Handle Block	168		■				■	
Padlockable Handle Lock Hasp	169	□		□	□		□	
Key Interlock Kit	170	□		□	□		□	
Sliding Bar Interlock – Requires Two Breakers	171		●					
Walking Beam Interlock – Requires Two Breakers	171		●				●	
Electrical (Motor) Operator	173		●				●	
Plug-in Adapters	174		●				●	
Rear Connecting Studs	176		●				●	
Panelboard Connecting Straps	177		●				●	
Handle Mechanisms	178		●				●	
Handle Extension	182		●				●	
Solid-State (Electronic) Portable Test Kit	184		●				●	

**OPTIM System Components 3-Poles**

Ground Fault Alarm Unit	184							
Potential Transformer Module	184							
Breaker Interface Module (BIM)	185							
Digitrip OPTIMizer	185							
Auxiliary Power Module	185							
Cutler-Hammer PowerNet Software	185							

**Modifications (Refer to Cutler-Hammer)**

Special Calibration	186		●				●	
Moisture Fungus Treatment	186		●				●	
Freeze-Tested Circuit Breakers	186		●				●	
Marine Application	186		●				●	

■ Applicable in indicated pole position

□ May be mounted on left or right pole – not both

● Accessory available/Modification available

① OPTIM 750 and 1050 are factory sealed and do not have the right pole available for accessories.



Series C® R-Frame



Typical Series C R-Frame Circuit Breaker

- R-frame circuit breakers are available as frame (which includes trip unit), rating plug and terminals.
- All R-frame circuit breakers are suitable for reverse feed use.

### Interrupting Capacity Ratings

#### UL489/CSA Interrupting Capacity Ratings ①

Circuit Breaker Type	Number of Poles	Interrupting Capacity (Symmetrical Amperes) (kA)				Circuit Breaker Type	Page Numbers					
		Volts Ac (50/60 Hz)					Trip Unit Types②					
		240	277	480	600		310	510	610	810	910	OPTIM
RD	3, 4	125	–	65	50	RD	91	94	96	98	100	102
CRD ③	3, 4	125	–	65	50	CRD	93	95	97	99	101	103
RDC	3, 4	200	–	100	65	RDC	92	94	96	98	100	102
CRDC ③	3, 4	200	–	100	65	CRDC	93	95	97	99	101	103

#### IEC 947-2 Interrupting Capacity Ratings ①

Circuit Breaker Type	Number of Poles	Interrupting Capacity (Symmetrical Amperes) (kA)			Circuit Breaker Type	Page Numbers					
		Volts Ac (50/60 Hz)				Trip Unit Types②					
		240	415	690		310	510	610	810	910	OPTIM
RD I <sub>CU</sub> I <sub>CS</sub>	3, 4	135 100	70 50	25 13	RD	91	94	96	98	100	102
RDC I <sub>CU</sub> I <sub>CS</sub>	3, 4	200 100	100 50	35 18	RDC	92	94	96	98	100	102

① Utilization Category A circuit breakers.  
 ② See page 90 for Trip Unit Selection Guide  
 ③ 100% Rated breakers.

## Series C® R-Frame

## R-Frame Digitrip Selection Guide

Trip Unit Type	Digitrip RMS 310	Digitrip RMS 510	Digitrip RMS 610	Digitrip OPTIM 750	Digitrip RMS 810	Digitrip RMS 910	Digitrip OPTIM 1050	
RMS Sensing	Yes	Yes	Yes	Yes	Yes	Yes	Yes	
<b>Breaker Type</b>								
Frame	R	R	R	R	R	R	R	
Ampere Range	800A-2500A	800A-2500A	800A-2500A	800A-2500A	800A-2500A	800A-2500A	800A-2500A	
Interrupting Rating @ 480V	65, 100 (kA)	65, 100 (kA)	65, 100 (kA)	65, 100 (kA)	65, 100 (kA)	65, 100 (kA)	65, 100 (kA)	
<b>Protection</b>								
Ordering Options	LS, LSG	LSI, LSIG	LI, LS, LSI, LIG, LSG, LSIG	LI, LS, LSI, LIG, LSG, LSIG	LSI(A), LSIG	LI, LS, LSI, LIG, LSG, LSIG	LSI(A), LSIG	
Fixed Rated Plug (I <sub>n</sub> )	Yes	Yes	Yes	Yes	Yes	Yes	Yes	
Overtemperature Trip	Yes	Yes	Yes	Yes	Yes	Yes	Yes	
<b>Long Delay Protection (L)</b>								
Adjustable Rating Plug (I <sub>n</sub> )	Yes	Yes	No	No	No	No	No	
Long Delay Pickup	0.5-1.0 (I <sub>n</sub> ) <sup>①</sup>	0.5-1.0 (I <sub>n</sub> ) <sup>①</sup>	0.5-1.0 x (I <sub>n</sub> )	0.5-1.0 x (I <sub>n</sub> )	0.4-1.0 x (I <sub>n</sub> )	0.5-1.0 x (I <sub>n</sub> )	0.5-1.0 x (I <sub>n</sub> )	0.4-1.0 x (I <sub>n</sub> )
Long Delay Time I <sup>2</sup> T	12 Seconds	12 Seconds	2-24 Seconds	2-24 Seconds	2-24 Seconds	2-24 Seconds	2-24 Seconds	
Long Delay Time I <sup>4</sup> T	No	No	No	No	1-5 Seconds	No	No	1-5 Seconds
Long Delay Thermal Memory	Yes	Yes	Yes	Yes	Yes	Yes	Yes	
High Load Alarm	No	No	No	0.85 x I <sub>r</sub>	0.5-1.0 x I <sub>r</sub>	0.85 x I <sub>r</sub>	0.85 x I <sub>r</sub>	0.5-1.0 x I <sub>r</sub>
<b>Short Delay Protection (S)</b>								
Short Delay Pickup	200-800% x (I <sub>n</sub> ) <sup>②</sup>	200-800% x (I <sub>n</sub> ) <sup>②</sup>	200-600% S1&S2 x (I <sub>r</sub> )	200-600% S1&S2 x (I <sub>r</sub> )	150-800% x (I <sub>n</sub> ) <sup>③</sup>	200-600% S1&S2 x (I <sub>r</sub> )	200-600% S1&S2 x (I <sub>r</sub> )	150-800% x (I <sub>n</sub> ) <sup>③</sup>
Short Delay Time I <sup>2</sup> T	100 ms	No	100-500 ms	100-500 ms	100-500 ms	100-500 ms	100-500 ms	100-500 ms
Short Delay Time Flat	No	Inst-300 ms	100-500 ms	100-500 ms	100-500 ms	100-500 ms	100-500 ms	100-500 ms
Short Delay Time Zone Selective Interlocking	No	No	Yes	Yes	Yes	Yes	Yes	Yes
<b>Instantaneous Protection (I)</b>								
Instantaneous Pick Up	No	200-800% x (I <sub>n</sub> )	200-600% M1&M2 x (I <sub>n</sub> )	200-600% M1&M2 x (I <sub>n</sub> )	200-800% x (I <sub>n</sub> ) <sup>③</sup>	200-600% M1&M2 x (I <sub>n</sub> )	200-600% M1&M2 x (I <sub>n</sub> )	200-800% x (I <sub>n</sub> ) <sup>③</sup>
Discriminator	No	No	Yes <sup>④</sup>	Yes <sup>④</sup>	Yes	Yes <sup>④</sup>	Yes <sup>④</sup>	Yes
Instantaneous Override	Yes	Yes	Yes	Yes	Yes	Yes	Yes	Yes
<b>Ground Fault Protection (G)</b>								
Ground Fault Alarm <sup>⑤</sup>	No	No	No	No	25-100% x (I <sub>n</sub> )	No	No	25-100% x (I <sub>n</sub> )
Ground Fault Pick Up <sup>⑤</sup>	Varies by Frame	Varies by Frame	25-100% x (I <sub>s</sub> )	25-100% x (I <sub>s</sub> )	25-100% x (I <sub>n</sub> )	25-100% x (I <sub>s</sub> )	25-100% x (I <sub>s</sub> )	25-100% x (I <sub>n</sub> )
Ground Fault Delay I <sup>2</sup> T	No	No	100-500 ms	100-500 ms	100-500 ms	100-500 ms	100-500 ms	100-500 ms
Ground Fault Delay Flat	Inst-500 ms	Inst-500 ms	100-500 ms	100-500 ms	100-500 ms	100-500 ms	100-500 ms	100-500 ms
Ground Fault Zone Selective Interlocking	No	No	Yes	Yes	Yes	Yes	Yes	Yes
Ground Fault Thermal Memory	Yes	Yes	Yes	Yes	Yes	Yes	Yes	Yes
<b>System Diagnostics</b>								
Status LEDs	Yes	Yes	Yes	Yes	Yes	Yes	Yes	Yes
Cause of Trip LEDs	No	No	Yes	Yes	Yes	Yes	Yes	Yes
Magnitude of Trip Information	No	No	No	Yes	Yes	Yes	Yes	Yes
Remote Signal Contacts	Yes	Yes	No	Yes	Yes	Yes	Yes	Yes
<b>System Monitoring</b>								
Digital Display	No	No	No	Yes	Yes <sup>⑥</sup>	Yes	Yes	Yes <sup>⑥</sup>
Current	No	No	No	Yes	Yes	Yes	Yes	Yes
Voltage	No	No	No	No	No	No	Yes	No
Power and Energy	No	No	No	No	No	Yes	Yes	Yes
Power Quality-Harmonics	No	No	No	No	No	No	Yes	Yes
Power Factor	No	No	No	No	No	Yes (Over Cutler-Hammer Power-Net Only)	Yes	Yes
<b>Communications</b>								
Cutler-Hammer PowerNet	No	No	No	No	Yes	Yes	Yes	Yes
<b>Testing</b>								
Testing Method	Test Set		Integral	Integral	OPTIMizer, BIM, Cutler-Hammer PowerNet	Integral	Integral	OPTIMizer, BIM, Cutler-Hammer PowerNet

① Adjust by rating plug.

② Except 2500 ampere frame is 200-600%.

③ Varies by frame.

④ LS/LSG only.

⑤ Not to exceed 1200 amperes.

⑥ By OPTIMizer/BIM.

BIM = Breaker Interface Module

(A) = GF Alarm

I<sub>s</sub> = Sensor RatingI<sub>n</sub> = Rating PlugI<sub>r</sub> = Long Delay Pickup Setting x I<sub>n</sub>

Series C® R-Frame

**Digitrip RMS 310 Electronic Circuit Breakers with Interchangeable Rating Plugs**

Order as individual components: Breaker Frame (which includes Trip Unit) and Rating Plug.

Maximum Continuous Ampere Rating @ 40°C	Circuit Breaker Frame Only				Digitrip RMS 310 Rating Plug Only		
	L – Adjustable Long Delay Pickup (By Adjustable Rating Plug) S – Adjustable Short Delay Pickup with Fixed Short Delay Time (I <sup>2</sup> t Response) or Adjustable Short Delay Time (Flat Response) I – Adjustable Instantaneous Pickup by Setting Short Delay Time to Instantaneous G – Adjustable Ground Fault Pickup with Adjustable Ground Fault Time (Flat Response)				Ampere Rating	Fixed Rating Plug	Adjustable Rating Plug
	LS                      LSI                      LSG <sup>③</sup> LSIG <sup>③</sup>						Adjustable Ampere Ratings Catalog Number
Catalog Number							

**3-Pole Standard Interrupting Capacity 600 Volt Ac Rated 65 kAIC @ 480 Vac**

Rating	RD316T33W	RD316T32W	RD316T35W	RD316T36W	Ampere Rating	Rating Plug	Adjustable Settings are:
1600 <sup>①</sup>					800 1000 1200 1250 1400 1500 1600	16RES08T 16RES10T 16RES12T 16RES125T 16RES14T 16RES15T 16RES16T	800, 1000, 1200, 1600 A16RES16T1
2000					1000 1200 1250 1400 1600 2000	20RES10T 20RES12T 20RES125T 20RES14T 20RES16T 20RES20T	1000, 1200, 1600, 2000 A20RES20T1
2500					1200 1250 1600 2000 2500	25RES12T 25RES125T 25RES16T 25RES20T 25RES25T	1200, 1600, 2000, 2500 A25RES25T1

**4-Pole<sup>②</sup> Standard Interrupting Capacity 600 Volt Ac Rated 65 kAIC @ 480 Vac**

Rating	RD416T33W	RD416T32W	–	–	Ampere Rating	Rating Plug	Adjustable Settings are:
1600 <sup>①</sup>					800 1000 1200 1250 1400 1500 1600	16RES08T 16RES10T 16RES12T 16RES125T 16RES14T 16RES15T 16RES16T	800, 1000, 1200, 1600 A16RES16T1
2000					1000 1200 1250 1400 1600 2000	20RES10T 20RES12T 20RES125T 20RES14T 20RES16T 20RES20T	1000, 1200, 1600, 2000 A20RES20T1
2500					1200 1250 1600 2000 2500	25RES12T 25RES125T 25RES16T 25RES20T 25RES25T	1200, 1600, 2000, 2500 A25RES25T1

Instruction Leaflet/FRED Number 29C107 for Breaker; Number 29C883 for Digitrip 310 Trip Unit

- ① For SCR application use 2000 ampere frame.
- ② Unprotected right pole neutral. Add "P" to catalog number for 100% protected right pole neutral, i.e., "RD416T33PW".
- ③ Add suffix "R" to breaker catalog number for ground fault remote indication compatibility.



## Series C® L-Frame

### Digitrip RMS 310 Electronic Circuit Breakers with Interchangeable Rating Plugs

Order as individual components: Breaker Frame (which includes Trip Unit) and Rating Plug.

Maximum Continuous Ampere Rating @ 40°C	Circuit Breaker Frame Only				Digitrip RMS 310 Rating Plug Only		
	L – Adjustable Long Delay Pickup (By Adjustable Rating Plug) S – Adjustable Short Delay Pickup with Fixed Short Delay Time (I <sup>2</sup> t Response) or Adjustable Short Delay Time (Flat Response) I – Adjustable Instantaneous Pickup by Setting Short Delay Time to Instantaneous G – Adjustable Ground Fault Pickup with Adjustable Ground Fault Time (Flat Response)				Ampere Rating	Fixed Rating Plug	Adjustable Rating Plug
							Adjustable Ampere Ratings Catalog Number
	LS	LSI	LSG <sup>③</sup>	LSIG <sup>③</sup>			
Catalog Number							

#### 3-Pole High Interrupting Capacity 600 Volt Ac Rated 100 kAIC @ 480 Vac

Maximum Continuous Ampere Rating	RDC316T33W	RDC316T32W	RDC316T35W	RDC316T36W	Ampere Rating	Rating Plug	Adjustable Settings are:
1600 <sup>①</sup>					800 1000 1200 1250 1400 1500 1600	16RES08T 16RES10T 16RES12T 16RES125T 16RES14T 16RES15T 16RES16T	800, 1000, 1200, 1600 A16RES16T1
2000					1000 1200 1250 1400 1600 2000	20RES10T 20RES12T 20RES125T 20RES14T 20RES16T 20RES20T	1000, 1200, 1600, 2000 A20RES20T1
2500					1200 1250 1600 2000 2500	25RES12T 25RES125T 25RES16T 25RES20T 25RES25T	1200, 1600, 2000, 2500 A25RES25T1

#### 4-Pole<sup>②</sup> High Interrupting Capacity 600 Volt Ac Rated 100 kAIC @ 480 Vac

Maximum Continuous Ampere Rating	RDC416T33W	RDC416T32W	–	–	Ampere Rating	Rating Plug	Adjustable Settings are:
1600 <sup>①</sup>					800 1000 1200 1250 1400 1500 1600	16RES08T 16RES10T 16RES12T 16RES125T 16RES14T 16RES15T 16RES16T	800, 1000, 1200, 1600 A16RES16T1
2000					1000 1200 1250 1400 1600 2000	20RES10T 20RES12T 20RES125T 20RES14T 20RES16T 20RES20T	1000, 1200, 1600, 2000 A20RES20T1
2500					1200 1250 1600 2000 2500	25RES12T 25RES125T 25RES16T 25RES20T 25RES25T	1200, 1600, 2000, 2500 A25RES25T1

Instruction Leaflet/FRED Number 29C107 for Breaker; Number 29C883 for Digitrip 310 Trip Unit

① For SCR application use 2000 ampere frame.

② Unprotected right pole neutral. Add "P" to catalog number for 100% protected right pole neutral, i.e., "RDC416T33PW".

③ Add suffix "R" to breaker catalog number for ground fault remote indication compatibility.

Series C® R-Frame

100% Rated Digitrip RMS 310 Electronic Circuit Breakers①

The NEC allows the breaker to be rated at 100% of its frame size in an assembly, provided that 90°C wire is applied at 75°C ampacity. Order as individual components: Breaker Frame (which includes Trip Unit) and Rating Plug.

Maximum Continuous Ampere Rating @ 40°C	Circuit Breaker Frame Only				Digitrip RMS 310 Rating Plug Only		
	L – Adjustable Long Delay Pickup (By Adjustable Rating Plug) S – Adjustable Short Delay Pickup with Fixed Short Delay Time (I <sup>2</sup> t Response) or Adjustable Short Delay Time (Flat Response) I – Adjustable Instantaneous Pickup by Setting Short Delay Time to Instantaneous G – Adjustable Ground Fault Pickup with Adjustable Ground Fault Time (Flat Response)				Ampere Rating	Fixed Rating Plug	Adjustable Rating Plug
							Adjustable Ampere Ratings Catalog Number
	LS	LSI	LSG③	LSIG③			
Catalog Number							

3-Pole Standard Interrupting Capacity 600 Volt Ac Rated 65 kAIC @ 480 Vac

Rating	CRD316T33W	CRD316T32W	CRD316T35W	CRD316T36W	Ampere Rating	Fixed Rating Plug	Adjustable Settings are:
1600②					800 1000 1200 1250 1400 1500 1600	16RES08T 16RES10T 16RES12T 16RES125T 16RES14T 16RES15T 16RES16T	800, 1000, 1200, 1600 A16RES16T1
2000					1000 1200 1250 1400 1600 2000	20RES10T 20RES12T 20RES125T 20RES14T 20RES16T 20RES20T	1000, 1200, 1600, 2000 A20RES20T1

3-Pole High Interrupting Capacity 600 Volt Ac Rated 100 kAIC @ 480 Vac

Rating	CRDC316T33W	CRDC316T32W	CRDC316T35W	CRDC316T36W	Ampere Rating	Fixed Rating Plug	Adjustable Settings are:
1600①②					800 1000 1200 1250 1400 1500 1600	16RES08T 16RES10T 16RES12T 16RES125T 16RES14T 16RES15T 16RES16T	800, 1000, 1200, 1600 A16RES16T1
2000					1000 1200 1250 1400 1600 2000	20RES10T 20RES12T 20RES125T 20RES14T 20RES16T 20RES20T	1000, 1200, 1600, 2000 A20RES20T1

Instruction Leaflet/FRED Number 29C107 for Breaker; Number 29C883 for Digitrip 310 Trip Unit

① Includes B2016RDL rear connections. Refer to TD.29.02.T.E for dimensions.  
② For SCR application use 2000 ampere frame.  
③ Add suffix "R" to breaker catalog number for ground fault remote indication compatibility.

## Series C® R-Frame

### Digitrip RMS 510 Electronic Circuit Breakers with Interchangeable Rating Plugs

Order as individual components: Breaker Frame (which includes Trip Unit) and Rating Plug.

Maximum Continuous Ampere Rating @ 40°C	Circuit Breaker Frame Only						Digitrip Rating Plug Only	
	L – Adjustable Long Delay Pickup ( $I_L$ ) with Adjustable Long Delay Time S – Adjustable Short Delay Pickup with Adjustable Short Delay Time ( $I^2t$ or Flat Response) I – Adjustable Instantaneous Pickup G – Adjustable Ground Fault Pickup with Adjustable Ground Fault Time Delay ( $I^2t$ or Flat Response)						Fixed Rating Plug	
	LI      LS      LSI      LIG      LSG      LSIG						Rated Current ( $I_n$ )	Catalog Number
	Catalog Number							

#### 3-Pole Standard Interrupting Capacity 600 Volt Ac Rated 65 kAIC @ 480 Vac

Rating	LI	LS	LSI	LIG	LSG	LSIG	Rated Current ( $I_n$ )	Catalog Number
1600	RD316T51W	RD316T53W	RD316T52W	RD316T54W	RD316T55W	RD316T56W	800 1000 1200 1600	RP6R16A080 RP6R16A100 RP6R16A120 RP6R16A160
2000	RD320T51W	RD320T53W	RD320T52W	RD320T54W	RD320T55W	RD320T56W	1000 1200 1600 2000	RP6R20A100 RP6R20A120 RP6R20A160 RP6R20A200
2500	RD325T51W	RD325T53W	RD325T52W	RD325T54W	RD325T55W	RD325T56W	1600 2000 2500	RP6R25A160 RP6R25A200 RP6R25A250

#### 3-Pole High Interrupting Capacity 600 Volt Ac Rated 100 kAIC @ 480 Vac

Rating	LI	LS	LSI	LIG	LSG	LSIG	Rated Current ( $I_n$ )	Catalog Number
1600	RDC316T51W	RDC316T53W	RDC316T52W	RDC316T54W	RDC316T55W	RDC316T56W	800 1000 1200 1600	RP6R16A080 RP6R16A100 RP6R16A120 RP6R16A160
2000	RDC320T51W	RDC320T53W	RDC320T52W	RDC320T54W	RDC320T55W	RDC320T56W	1000 1200 1600 2000	RP6R20A100 RP6R20A120 RP6R20A160 RP6R20A200
2500	RDC325T51W	RDC325T53W	RDC325T52W	RDC325T54W	RDC325T55W	RDC325T56W	1600 2000 2500	RP6R25A160 RP6R25A200 RP6R25A250

Instruction Leaflet/FRED Number 29C107 for Breaker; Number 29C885 for Digitrip 510 Trip Unit

Series C® R-Frame

100% Rated Digitrip RMS 510 Circuit Breakers

The NEC allows the breaker to be rated at 100% of its frame size in an assembly, provided that 90°C wire is applied at 75°C ampacity. Order as individual components: Breaker Frame (which includes Trip Unit) and Rating Plug.

Maximum Continuous Ampere Rating @ 40°C	Circuit Breaker Frame Only						Digitrip Rating Plug Only	
	L – Adjustable Long Delay Pickup (I <sub>l</sub> ) with Adjustable Long Delay Time						Fixed Rating Plug	
	S – Adjustable Short Delay Pickup with Adjustable Short Delay Time (I <sup>2</sup> t or Flat Response)						Rated Current (I <sub>n</sub> )	Catalog Number
	I – Adjustable Instantaneous Pickup							
G – Adjustable Ground Fault Pickup with Adjustable Ground Fault Time Delay (I <sup>2</sup> t or Flat Response)								
	LI	LS	LSI	LIG	LSG	LSIG		
	Catalog Number							

3-Pole Standard Interrupting Capacity 600 Volt Ac Rated 65 kAIC @ 480 Vac

1600	CRD316T51W	CRD316T53W	CRD316T52W	CRD316T54W	CRD316T55W	CRD316T56W	800 1000 1200 1600	RP6R16A080 RP6R16A100 RP6R16A120 RP6R16A160
2000	CRD320T51W	CRD320T53W	CRD320T52W	CRD320T54W	CRD320T55W	CRD320T56W	1000 1200 1600 2000	RP6R20A100 RP6R20A120 RP6R20A160 RP6R20A200

3-Pole High Interrupting Capacity 600 Volt Ac Rated 100 kAIC @ 480 Vac

1600	CRDC316T51W	CRDC316T53W	CRDC316T52W	CRDC316T54W	CRDC316T55W	CRDC316T56W	800 1000 1200 1600	RP6R16A080 RP6R16A100 RP6R16A120 RP6R16A160
2000	CRDC320T51W	CRDC320T53W	CRDC320T52W	CRDC320T54W	CRDC320T55W	CRDC320T56W	1000 1200 1600 2000	RP6R20A100 RP6R20A120 RP6R20A160 RP6R20A200

Instruction Leaflet/FRED Number 29C107 for Breaker; Number 29885 for Digitrip 510 Trip Unit

## Series C® R-Frame

### Digitrip RMS 610 Electronic Circuit Breakers with Interchangeable Rating Plugs

Order as individual components: Breaker Frame (which includes Trip Unit) and Rating Plug.

Maximum Continuous Ampere Rating @ 40°C	Circuit Breaker Frame Only						Digitrip Rating Plug Only	
	L – Adjustable Long Delay Pickup ( $I_L$ ) with Adjustable Long Delay Time S – Adjustable Short Delay Pickup with Adjustable Short Delay Time ( $I^2t$ or Flat Response) I – Adjustable Instantaneous Pickup G – Adjustable Ground Fault Pickup with Adjustable Ground Fault Time Delay ( $I^2t$ or Flat Response)						Fixed Rating Plug	
							Rated Current ( $I_n$ )	Catalog Number
	LI	LS	LSI	LIG	LSG	LSIG		
	Catalog Number							

#### 3-Pole Standard Interrupting Capacity 600 Volt Ac Rated 65 kAIC @ 480 Vac

Rating	LI	LS	LSI	LIG	LSG	LSIG	Rated Current ( $I_n$ )	Catalog Number
1600	RD316T61W	RD316T63W	RD316T62W	RD316T64W	RD316T65W	RD316T66W	800 1000 1200 1600	RP6R16A080 RP6R16A100 RP6R16A120 RP6R16A160
2000	RD320T61W	RD320T63W	RD320T62W	RD320T64W	RD320T65W	RD320T66W	1000 1200 1600 2000	RP6R20A100 RP6R20A120 RP6R20A160 RP6R20A200
2500	RD325T61W	RD325T63W	RD325T62W	RD325T64W	RD325T65W	RD325T66W	1600 2000 2500	RP6R25A160 RP6R25A200 RP6R25A250

#### 3-Pole High Interrupting Capacity 600 Volt Ac Rated 100 kAIC @ 480 Vac

Rating	LI	LS	LSI	LIG	LSG	LSIG	Rated Current ( $I_n$ )	Catalog Number
1600	RDC316T61W	RDC316T63W	RDC316T62W	RDC316T64W	RDC316T65W	RDC316T66W	800 1000 1200 1600	RP6R16A080 RP6R16A100 RP6R16A120 RP6R16A160
2000	RDC320T61W	RDC320T63W	RDC320T62W	RDC320T64W	RDC320T65W	RDC320T66W	1000 1200 1600 2000	RP6R20A100 RP6R20A120 RP6R20A160 RP6R20A200
2500	RDC325T61W	RDC325T63W	RDC325T62W	RDC325T64W	RDC325T65W	RDC325T66W	1600 2000 2500	RP6R25A160 RP6R25A200 RP6R25A250

Instruction Leaflet/FRED Number 29C107 for Breaker; Number 29886 for Digitrip 610 Trip Unit

Series C® R-Frame

100% Rated Digitrip RMS 610 Circuit Breakers

The NEC allows the breaker to be rated at 100% of its frame size in an assembly, provided that 90°C wire is applied at 75°C ampacity. Order as individual components: Breaker Frame (which includes Trip Unit) and Rating Plug.

Maximum Continuous Ampere Rating @ 40°C	Circuit Breaker Frame Only						Digitrip Rating Plug Only	
	L – Adjustable Long Delay Pickup (I <sub>L</sub> ) with Adjustable Long Delay Time						Fixed Rating Plug	
	S – Adjustable Short Delay Pickup with Adjustable Short Delay Time (I <sup>2</sup> t or Flat Response)						Rated Current (I <sub>n</sub> )	Catalog Number
	I – Adjustable Instantaneous Pickup							
G – Adjustable Ground Fault Pickup with Adjustable Ground Fault Time Delay (I <sup>2</sup> t or Flat Response)								
	LI	LS	LSI	LIG	LSG	LSIG		
	Catalog Number							

3-Pole Standard Interrupting Capacity 600 Volt Ac Rated 65 kAIC @ 480 Vac

1600	CRD316T61W	CRD316T63W	CRD316T62W	CRD316T64W	CRD316T65W	CRD316T66W	800 1000 1200 1600	RP6R16A080 RP6R16A100 RP6R16A120 RP6R16A160
2000	CRD320T61W	CRD320T63W	CRD320T62W	CRD320T64W	CRD320T65W	CRD320T66W	1000 1200 1600 2000	RP6R20A100 RP6R20A120 RP6R20A160 RP6R20A200

3-Pole High Interrupting Capacity 600 Volt Ac Rated 100 kAIC @ 480 Vac

1600	CRDC316T61W	CRDC316T63W	CRDC316T62W	CRDC316T64W	CRDC316T65W	CRDC316T66W	800 1000 1200 1600	RP6R16A080 RP6R16A100 RP6R16A120 RP6R16A160
2000	CRDC320T61W	CRDC320T63W	CRDC320T62W	CRDC320T64W	CRDC320T65W	CRDC320T66W	1000 1200 1600 2000	RP6R20A100 RP6R20A120 RP6R20A160 RP6R20A200

Instruction Leaflet/FRED Number 29C107 for Breaker; Number 29886 for Digitrip 610 Trip Unit

## Series C® R-Frame

### Digitrip RMS 810 Electronic Circuit Breakers with Interchangeable Rating Plugs

Order as individual components: Breaker Frame (which includes Trip Unit) and Rating Plug.

Maximum Continuous Ampere Rating @ 40°C	Circuit Breaker Frame Only						Digitrip Rating Plug Only	
	L – Adjustable Long Delay Pickup ( $I_n$ ) with Adjustable Long Delay Time S – Adjustable Short Delay Pickup with Adjustable Short Delay Time ( $I^2t$ or Flat Response) I – Adjustable Instantaneous Pickup G – Adjustable Ground Fault Pickup with Adjustable Ground Fault Time Delay ( $I^2t$ or Flat Response)						Fixed Rating Plug	
							Rated Current ( $I_n$ )	Catalog Number
	LI	LS	LSI	LIG	LSG	LSIG		
	Catalog Number							

#### 3-Pole Standard Interrupting Capacity 600 Volt Ac Rated 65 kAIC @ 480 Vac

Rating	LI	LS	LSI	LIG	LSG	LSIG	Rated Current ( $I_n$ )	Catalog Number
1600	RD316T81W	RD316T83W	RD316T82W	RD316T84W	RD316T85W	RD316T86W	800 1000 1200 1600	RP6R16A080 RP6R16A100 RP6R16A120 RP6R16A160
2000	RD320T81W	RD320T83W	RD320T82W	RD320T84W	RD320T85W	RD320T86W	1000 1200 1600 2000	RP6R20A100 RP6R20A120 RP6R20A160 RP6R20A200
2500	RD325T81W	RD325T83W	RD325T82W	RD325T84W	RD325T85W	RD325T86W	1600 2000 2500	RP6R25A160 RP6R25A200 RP6R25A250

#### 3-Pole High Interrupting Capacity 600 Volt Ac Rated 100 kAIC @ 480 Vac

Rating	LI	LS	LSI	LIG	LSG	LSIG	Rated Current ( $I_n$ )	Catalog Number
1600	RDC316T81W	RDC316T83W	RDC316T82W	RDC316T84W	RDC316T85W	RDC316T86W	800 1000 1200 1600	RP6R16A080 RP6R16A100 RP6R16A120 RP6R16A160
2000	RDC320T81W	RDC320T83W	RDC320T82W	RDC320T84W	RDC320T85W	RDC320T86W	1000 1200 1600 2000	RP6R20A100 RP6R20A120 RP6R20A160 RP6R20A200
2500	RDC325T81W	RDC325T83W	RDC325T82W	RDC325T84W	RDC325T85W	RDC325T86W	1600 2000 2500	RP6R25A160 RP6R25A200 RP6R25A250

Instruction Leaflet/FRED Number 29C107 for Breaker; Number 29888 for Digitrip 810 Trip Unit

Series C® R-Frame

100% Rated Digitrip RMS 810 Circuit Breakers

The NEC allows the breaker to be rated at 100% of its frame size in an assembly, provided that 90°C wire is applied at 75°C ampacity. Order as individual components: Breaker Frame (which includes Trip Unit) and Rating Plug.

Maximum Continuous Ampere Rating @ 40°C	Circuit Breaker Frame Only						Digitrip Rating Plug Only	
	L – Adjustable Long Delay Pickup (I <sub>L</sub> ) with Adjustable Long Delay Time						Fixed Rating Plug	
	S – Adjustable Short Delay Pickup with Adjustable Short Delay Time (I <sup>2</sup> t or Flat Response)						Rated Current (I <sub>n</sub> )	Catalog Number
	I – Adjustable Instantaneous Pickup							
G – Adjustable Ground Fault Pickup with Adjustable Ground Fault Time Delay (I <sup>2</sup> t or Flat Response)								
	LI	LS	LSI	LIG	LSG	LSIG		
	Catalog Number							

3-Pole Standard Interrupting Capacity 600 Volt Ac Rated 65 kAIC @ 480 Vac

1600	CRD316T81W	CRD316T83W	CRD316T82W	CRD316T84W	CRD316T85W	CRD316T86W	800 1000 1200 1600	RP6R16A080 RP6R16A100 RP6R16A120 RP6R16A160
2000	CRD320T81W	CRD320T83W	CRD320T82W	CRD320T84W	CRD320T85W	CRD320T86W	1000 1200 1600 2000	RP6R20A100 RP6R20A120 RP6R20A160 RP6R20A200

3-Pole High Interrupting Capacity 600 Volt Ac Rated 100 kAIC @ 480 Vac

1600	CRDC316T81W	CRDC316T83W	CRDC316T82W	CRDC316T84W	CRDC316T85W	CRDC316T86W	800 1000 1200 1600	RP6R16A080 RP6R16A100 RP6R16A120 RP6R16A160
2000	CRDC320T81W	CRDC320T83W	CRDC320T82W	CRDC320T84W	CRDC320T85W	CRDC320T86W	1000 1200 1600 2000	RP6R20A100 RP6R20A120 RP6R20A160 RP6R20A200

Instruction Leaflet/FRED Number 29C107 for Breaker; Number 29888 for Digitrip 810 Trip Unit



## Series C® R-Frame

### Digitrip RMS 910 Electronic Circuit Breakers with Interchangeable Rating Plugs

Order as individual components: Breaker Frame (which includes Trip Unit) and Rating Plug.

Maximum Continuous Ampere Rating @ 40°C	Circuit Breaker Frame Only						Digitrip Rating Plug Only	
	L – Adjustable Long Delay Pickup ( $I_t$ ) with Adjustable Long Delay Time S – Adjustable Short Delay Pickup with Adjustable Short Delay Time ( $I^2t$ or Flat Response) I – Adjustable Instantaneous Pickup G – Adjustable Ground Fault Pickup with Adjustable Ground Fault Time Delay ( $I^2t$ or Flat Response)						Fixed Rating Plug	
							Rated Current ( $I_n$ )	Catalog Number
	LI	LS	LSI	LIG	LSG	LSIG		
	Catalog Number							

#### 3-Pole Standard Interrupting Capacity 600 Volt Ac Rated 65 kAIC @ 480 Vac

Rating	LI	LS	LSI	LIG	LSG	LSIG	Rated Current ( $I_n$ )	Catalog Number
1600	RD316T91W	RD316T93W	RD316T92W	RD316T94W	RD316T95W	RD316T96W	800 1000 1200 1600	RP6R16A080 RP6R16A100 RP6R16A120 RP6R16A160
2000	RD320T91W	RD320T93W	RD320T92W	RD320T94W	RD320T95W	RD320T96W	1000 1200 1600 2000	RP6R20A100 RP6R20A120 RP6R20A160 RP6R20A200
2500	RD325T91W	RD325T93W	RD325T92W	RD325T94W	RD325T95W	RD325T96W	1600 2000 2500	RP6R25A160 RP6R25A200 RP6R25A250

#### 3-Pole High Interrupting Capacity 600 Volt Ac Rated 100 kAIC @ 480 Vac

Rating	RDC316T91W	RDC316T93W	RDC316T92W	RDC316T94W	RDC316T95W	RDC316T96W	Rated Current ( $I_n$ )	Catalog Number
1600	RDC316T91W	RDC316T93W	RDC316T92W	RDC316T94W	RDC316T95W	RDC316T96W	800 1000 1200 1600	RP6R16A080 RP6R16A100 RP6R16A120 RP6R16A160
2000	RDC320T91W	RDC320T93W	RDC320T92W	RDC320T94W	RDC320T95W	RDC320T96W	1000 1200 1600 2000	RP6R20A100 RP6R20A120 RP6R20A160 RP6R20A200
2500	RDC325T91W	RDC325T93W	RDC325T92W	RDC325T94W	RDC325T95W	RDC325T96W	1600 2000 2500	RP6R25A160 RP6R25A200 RP6R25A250

Instruction Leaflet/FRED Number 29C107 for Breaker; Number 29889 for Digitrip 910 Trip Unit

Series C® R-Frame

100% Rated Digitrip RMS 910 Circuit Breakers

The NEC allows the breaker to be rated at 100% of its frame size in an assembly, provided that 90°C wire is applied at 75°C ampacity. Order as individual components: Breaker Frame (which includes Trip Unit) and Rating Plug.

Maximum Continuous Ampere Rating @ 40°C	Circuit Breaker Frame Only						Digitrip Rating Plug Only	
	L – Adjustable Long Delay Pickup (I <sub>l</sub> ) with Adjustable Long Delay Time						Fixed Rating Plug	
	S – Adjustable Short Delay Pickup with Adjustable Short Delay Time (I <sup>2</sup> t or Flat Response)						Rated Current (I <sub>n</sub> )	Catalog Number
	I – Adjustable Instantaneous Pickup							
G – Adjustable Ground Fault Pickup with Adjustable Ground Fault Time Delay (I <sup>2</sup> t or Flat Response)								
	LI	LS	LSI	LIG	LSG	LSIG		
	Catalog Number							

3-Pole Standard Interrupting Capacity 600 Volt Ac Rated 65 kAIC @ 480 Vac

1600	CRD316T91W	CRD316T93W	CRD316T92W	CRD316T94W	CRD316T95W	CRD316T96W	800 1000 1200 1600	RP6R16A080 RP6R16A100 RP6R16A120 RP6R16A160
2000	CRD320T91W	CRD320T93W	CRD320T92W	CRD320T94W	CRD320T95W	CRD320T96W	1000 1200 1600 2000	RP6R20A100 RP6R20A120 RP6R20A160 RP6R20A200

3-Pole High Interrupting Capacity 600 Volt Ac Rated 100 kAIC @ 480 Vac

1600	CRDC316T91W	CRDC316T93W	CRDC316T92W	CRDC316T94W	CRDC316T95W	CRDC316T96W	800 1000 1200 1600	RP6R16A080 RP6R16A100 RP6R16A120 RP6R16A160
2000	CRDC320T91W	CRDC320T93W	CRDC320T92W	CRDC320T94W	CRDC320T95W	CRDC320T96W	1000 1200 1600 2000	RP6R20A100 RP6R20A120 RP6R20A160 RP6R20A200

Instruction Leaflet/FRED Number 29C107 for Breaker; Number 29889 for Digitrip 910 Trip Unit

## Series C® R-Frame

### Digitrip OPTIM Electronic Circuit Breakers with Interchangeable Rating Plugs

Order as individual components: Breaker Frame (which includes Trip Unit) and Rating Plug.

Maximum Continuous Ampere Rating @ 40°C	Circuit Breaker Frame Only				Digitrip OPTIM Rating Plug Only	
	L – Adjustable Long Delay Pickup ( $I_L$ ) with Adjustable Long Delay Time S – Adjustable Short Delay Pickup with Adjustable Short Delay Time ( $I^2t$ or Flat Response) I – Adjustable Instantaneous Pickup G – Adjustable Ground Fault Pickup with Adjustable Ground Fault Time Delay ( $I^2t$ or Flat Response) A – Adjustable Ground Fault Alarm with Adjustable Ground Fault Time Delay ( $I^2t$ or Flat Response)				Fixed Rating Plug	
					Ampere Rating	Catalog Number
	LSIA 750	LSIG 750	LSIA 1050	LSIG 1050		
Catalog Number						

#### 3-Pole Standard Interrupting Capacity 600 Volt Ac Rated 65 kAIC @ 480 Vac

Rating	LSIA 750	LSIG 750	LSIA 1050	LSIG 1050	Ampere Rating	Catalog Number
1600	RD316T77W	RD316T76W	RD316T107W	RD316T106W	800 1000 1200 1600	ORPR16A080 ORPR16A100 ORPR16A120 ORPR16A160
2000	RD320T77W	RD320T76W	RD320T107W	RD320T106W	1000 1200 1600 2000	ORPR20A100 ORPR20A120 ORPR20A160 ORPR20A200
2500	RD325T77W	RD325T76W	RD325T107W	RD325T106W	1600 2000 2500	ORPR25A160 ORPR25A200 ORPR25A250

#### 3-Pole High Interrupting Capacity 600 Volt Ac Rated 100 kAIC @ 480 Vac

Rating	RDC316T77W	RDC316T76W	RDC316T107W	RDC316T106W	Ampere Rating	Catalog Number
1600	RDC316T77W	RDC316T76W	RDC316T107W	RDC316T106W	800 1000 1200 1600	ORPR16A080 ORPR16A100 ORPR16A120 ORPR16A160
2000	RDC320T77W	RDC320T76W	RDC320T107W	RDC320T106W	1000 1200 1600 2000	ORPR20A100 ORPR20A120 ORPR20A160 ORPR20A200
2500	RDC325T77W	RDC325T76W	RDC325T107W	RDC325T106W	1600 2000 2500	ORPR25A160 ORPR25A200 ORPR25A250

Instruction Leaflet/FRED Number 29C107 for Breaker; Number 29C891 for OPTIM Trip Unit

Series C® R-Frame

**100% Rated 600 Volt AC Digitrip OPTIM Circuit Breakers with Interchangeable Rating Plugs**

Order as individual components: Breaker Frame (which includes Trip Unit) and Rating Plug.

Maximum Continuous Ampere Rating @ 40°C	Circuit Breaker Frame Only				Digitrip OPTIM Rating Plug Only	
	L – Adjustable Long Delay Pickup (I <sub>1</sub> ) with Adjustable Long Delay Time S – Adjustable Short Delay Pickup with Adjustable Short Delay Time (I <sup>2</sup> t or Flat Response) I – Adjustable Instantaneous Pickup G – Adjustable Ground Fault Pickup with Adjustable Ground Fault Time Delay (I <sup>2</sup> t or Flat Response) A – Adjustable Ground Fault Alarm with Adjustable Ground Fault Time Delay (I <sup>2</sup> t or Flat Response)				Fixed Rating Plug	
					Ampere Rating	Catalog Number
	LSIA 750	LSIG 750	LSIA 1050	LSIG 1050		

**3-Pole Standard Interrupting Capacity 600 Volt Ac Rated 65 kAIC @ 480 Vac**

1600	CRD316T77W	CRD316T76W	CRD316T107W	CRD316T106W	800 1000 1200 1600	ORPR16A080 ORPR16A100 ORPR16A120 ORPR16A160
2000	CRD320T77W	CRD320T76W	CRD320T107W	CRD320T106W	1000 1200 1600 2000	ORPR20A100 ORPR20A120 ORPR20A160 ORPR20A200

**3-Pole High Interrupting Capacity 600 Volt Ac Rated 100 kAIC @ 480 Vac**

1600	CRDC316T77W	CRDC316T76W	CRDC316T107W	CRDC316T106W	800 1000 1200 1600	ORPR16A080 ORPR16A100 ORPR16A120 ORPR16A160
2000	CRDC320T77W	CRDC320T76W	CRDC320T107W	CRDC320T106W	1000 1200 1600 2000	ORPR20A100 ORPR20A120 ORPR20A160 ORPR20A200

Instruction Leaflet/FRED Number 29C107 for Breaker; Number 29C891 for OPTIM Trip Unit

Series C® R-Frame

Molded Case Switches

For UL listed, series tested molded case switch application data, refer to Cutler-Hammer.

Continuous Ampere Rating @ 40°C	Complete without Terminals	
	3-Pole	4-Pole
1600	Type RD – High Instantaneous (K)	
	RD316WK	RD416WK
2000	Type RD – High Instantaneous (K)	
	RD320WK	RD420WK
2500	Type RD – High Instantaneous (K)	
	–	–

**Note:** Molded case switch may trip above 17500 amperes.

Instruction Leaflet/FRED Number 29C106 for Molded Case Switch

Line and Load Terminals

Line and load terminals provide wire connecting capabilities for specific ranges of continuous current ratings and wire types. All terminals comply with Underwriters Laboratories, Inc. Standards UL486A and UL486B and CSA C22.2 No. 65M. Unless otherwise specified, R-frame

circuit breaker line load terminals are shipped separately for field installation.

Ordering Information

R-frame circuit breakers have Cu/Al terminals as standard and Cu only terminals as an option. Specify if factory installation is required.

Line and Load Terminals

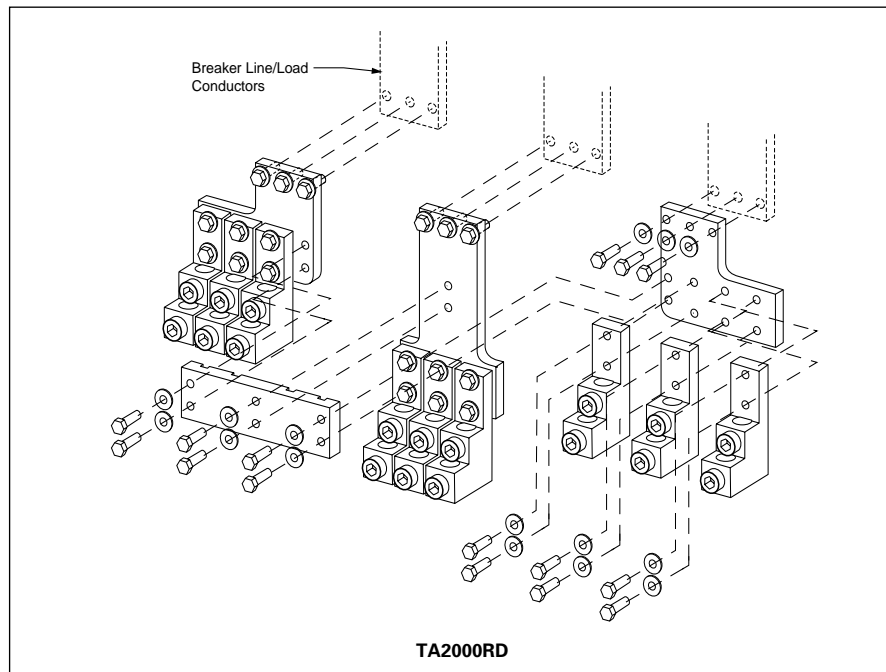
Maximum Breaker Amperes	Terminal Body Material	Wire Type	Hardware	AWG/kcmil Wire Range/No. Conductors	Metric Wire Range mm <sup>2</sup>	Catalog Number
-------------------------	------------------------	-----------	----------	-------------------------------------	-----------------------------------	----------------

Wire Terminals

1600	Aluminum	Cu/Al	English	500-1000 (4)	300-500	TA1600RD
1600	Copper	Cu	English	1-600 (4)	50-300	T1600RD
2000	Aluminum	Cu/Al	English	2-600 (6)	35-300	TA2000RD <sup>①</sup>

Rear Connectors

2000	Copper	–	English	–	–	B2016RD
2000	Copper	–	English	–	–	B2016RDL <sup>②</sup>
2500	Copper	–	English	–	–	B2500RD <sup>③</sup>



① Catalog number includes bus connection, terminals, and hardware for either line side or load side of 3-pole breaker.

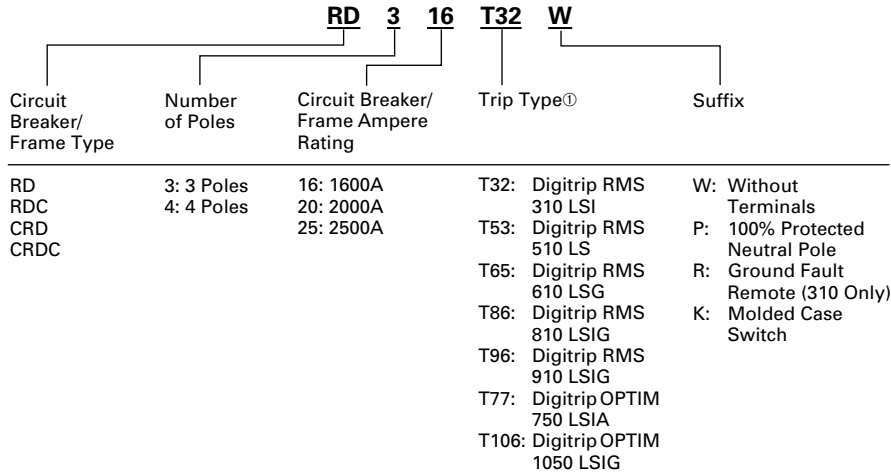
② For use with 100% rated 1600A and 2000A frame. Do not order separately unless for replacement purposes. Is included in breaker carton when 100% rated device is ordered.

③ For use with 2500-amp frame. Do not order separately unless for replacement purposes. Included in breaker carton when 2500A breaker is ordered.

### Catalog Numbering System

This information is presented only as an aid to understanding catalog numbers. It is not to be used to build catalog numbers for circuit breakers or trip units.

#### Circuit Breaker/Frame Catalog Number



### Dimensions/Weights

#### Dimensions, Inches (mm)

Number of Poles	Width	Height	Depth
3	15.5 (394)	16 (406)	9.75 (248)
4	20 (508)	16 (406)	9.75 (248)

#### Approximate Shipping Weight, Lbs. (kg)

Breaker Type	Complete Breaker	
	Number of Poles	
	3	4

#### 1600A

RD, CRD, RDC, CRDC	102 (46.266)	135 (61.235)
--------------------	-----------------	-----------------

#### 2000A

RD, RDC	102 (46.266)	135 (61.235)
CRD, CRDC	130 (58.967)	175 (79.378)

#### 2500A

RD, RDC	135 (61.235)	182 (82.553)
---------	-----------------	-----------------

① For complete list of available trip types refer to pages 91 through 103.

## Series C® R-Frame

### Allowable Accessory Combinations

Different combinations of accessories can be supplied, depending on the types of accessories and the number of poles in the circuit breaker.

	Reference Page	3-Pole			4-Pole			
		Left	Center	Right	Left	Center	Right	Neu.
<b>Internal Accessories</b>								
Alarm Lockout (Make/Break)	141			■			■	
Alarm Lockout (2Make/2Break)	141			■			■	
Auxiliary Switch (2A, 2B)	144			■			■	
Auxiliary Switch (4A, 4B)	144			■			■	
Shunt Trip – Standard	151			■			■	
Shunt Trip – Low Energy	152			■			■	
Undervoltage Release Mechanism	159			■			■	
Accessory Terminal Block <sup>Ⓜ</sup>	160			■				■
<b>External Accessories</b>								
Base Mounting Hardware	163							
Padlockable Handle Lock Hasp	169		●			●		
Key Interlock Kit	170		■			■		
Walking Beam Interlock	171							
Electrical (Motor) Operator	173		■			■		
Drawout Cassette	164		●					
Handle Mechanisms	178		■			■		
Handle Extension <sup>Ⓛ</sup>	182		■			■		
Solid-State (Electronic) Portable Test Kit (310 Only)	184		●			●		
<b>OPTIM System Components</b>								
Breaker Interface Module (BIM)	185		●					
Digitrip OPTIMizer	185		●					
Auxiliary Power Module	185		●					
Cutler-Hammer PowerNet Software	185		●					
<b>Modifications (Refer to Cutler-Hammer)</b>								
Special Calibration	186		●				●	
Moisture Fungus Treatment	186		●				●	
Freeze-Tested Circuit Breakers	186		●				●	
Marine Application	186		●				●	

■ Applicable in indicated pole position

● Accessory available/Modification available

<sup>Ⓛ</sup> Included with breaker.

<sup>Ⓜ</sup> Mounts outside breaker.



Series C Motor Circuit Protectors

**General Information**

Designated as the Cutler-Hammer Types GMCP, HMCP, the Series C instantaneous-only motor circuit protector (MCP) is available in ratings from 3A to 600A for motor starter sizes 0 through 6. The MCP is designed to comply with the applicable requirements of Underwriters Laboratories, Inc. Standard UL489, Canadian Standards Association Standard C22.2 No. 5, and International Electrotechnical Commission Recommendations IEC 157-1.

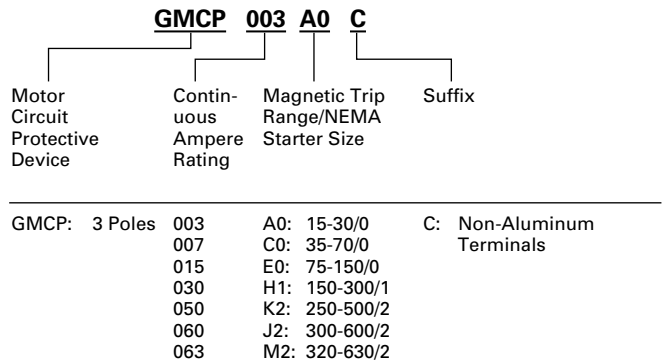
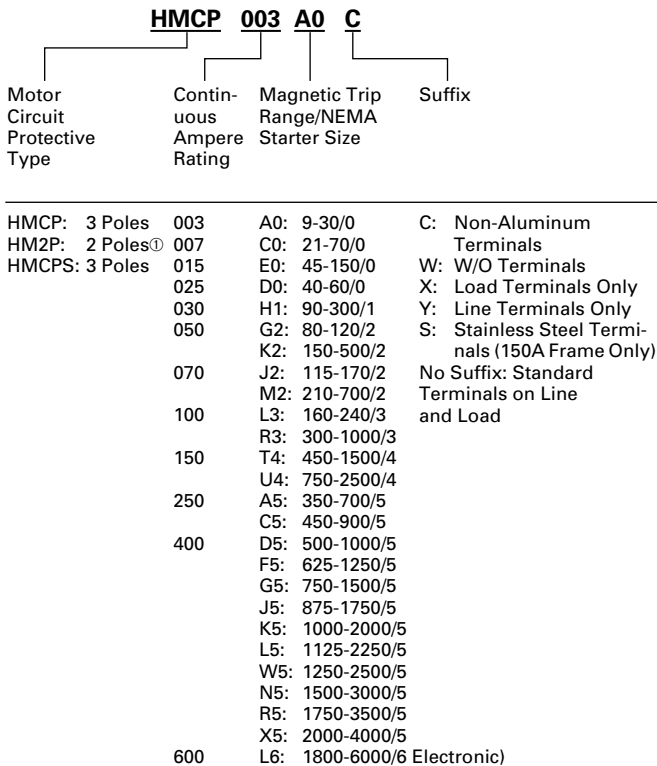
An innovative design of internal components allows higher MCP-starter combination interrupting ratings. The MCP is marked to permit proper electrical application within the assigned equipment ratings.

The MCP is a recognized component (UL File E7819) and complies with the applicable requirements of Underwriters Laboratories, Inc. Standard UL489. It is also designed to comply with the applicable requirements of Canadian Standards Association Standard C22.2 No. 5, International Electrotechnical Commission Recommendations IEC 157-1, and nameplates bear the CE marking.

**Catalog Numbering System**

This information is presented only as an aid to understanding catalog numbers. It is not to be used to build catalog numbers for circuit breakers or trip units.

**Motor Circuit Protector Catalog Number**



① On J- and K-Frame HMCPs only.



## G-Frame

480 Vac Maximum, 250 Vdc Maximum

MCP Catalog Number	NEMA Starter Size	Continuous Amperes	Cam Setting	Motor Full Load Center Amperes <sup>⑤</sup>	MCP Trip Setting
GMCP003A0C	0	3	A	1.1 - 1.2	15
			B	1.3 - 1.5	18
			C	1.6 - 1.7	21
			D	1.8 - 1.9	24
			E	2.0 - 2.2	27
			F	2.3 - 2.5	30
GMCP007C0C	0	7	A	2.6 - 3.1	35
			B	3.2 - 3.6	42
			C	3.7 - 3.9	49
			D	4.3 - 4.7	56
			E	4.8 - 5.2	63
			F	5.3 - 5.7	70
GMCP015E0C	0	15	A	5.7 - 6.8	75
			B	6.9 - 7.9	90
			C	8.0 - 9.1	105
			D	9.2 - 10.3	120
			E	10.4 - 11.4	135
			F	11.5 - 12.6	150
GMCP030H1C	1	30	A	11.5 - 13.7	150
			B	13.8 - 16.0	180
			C	16.1 - 18.3	210
			D	18.4 - 20.6	240
			E	20.7 - 22.9	270
			F	23.0 - 25.2	300
GMCP050K2C	2	50	A	19.3 - 22.9	250
			B	23.0 - 26.8	300
			C	26.9 - 30.6	350
			D	30.7 - 34.5	400
			E	34.6 - 38.3	450
			F	38.4 - 42.1	500
GMCP060J2C	3	60	A	23.1 - 27.5	300
			B	27.7 - 32.2	360
			C	32.3 - 36.7	420
			D	36.9 - 41.4	480
			E	41.5 - 46.0	540
			F	46.2 - 50.5	600
GMCP063M2C	3	63	A	24.2 - 32.1	320
			B	29.1 - 34.8	380
			C	33.9 - 39.4	440
			D	38.8 - 46.4	500
			E	43.6 - 48.9	570
			F	48.5 - 53.7	630

Instruction Leaflet/FRED Number 15579

## Modifications for GMCP

### Internal Accessories

These modifications must be factory installed<sup>①</sup>.

Type Accessory	Electrical Ratings			Contact Arrangement	Style Number	Factory Suffix
	Volts	Frequency	Amperes			
Shunt Trip <sup>③</sup>	120	50/60 Hz	1.1		1373D62G18	S5
Shunt Trip <sup>③</sup>	240	50/60 Hz	2.1		1373D62G19	S6
Auxiliary Switch <sup>④</sup>	240	50/60 Hz	6.0	1a/1b	1288C74G03	A3
Auxiliary Switch <sup>④</sup>	240	50/60 Hz	6.0	2a/2b	1288C73G03	A6
Alarm Switch <sup>④</sup>	240	50/60 Hz	6.0	Make/Break	1288C75G03	B3
Alarm Switch <sup>④</sup> Alarm Switch Combination	240	50/60 Hz	6.0	1a/1b Make/Break	1288C76G09	B13

**Note:** No UVR available on GMCP.

Instruction Leaflet/FRED Number 15552 for Alarm Switch

Instruction Leaflet/FRED Number 15551 for Auxiliary Switch

Instruction Leaflet/FRED Number 15550 for Shunt Trip

### External Mounted Accessories

Description	Number Units in Package	Style Number
Lock Dog (Non-Padlockable)	1	1294C01H01
Mounting Hardware	1	624B375G23
DIN Rail Adapter <sup>②</sup>	10	1225C79G02

Instruction Leaflet/FRED Number 29C191 (DIN Rail Adapter)

### Vari-Depth Handle Mechanism<sup>⑥</sup>

Description	Catalog Number
For Type 1 use	HRGMV11L
For Type 3R, 4X, 12 use	HRGMV14L
Close Coupled Black with Gray Handle	HRGMC10
Close Coupled Red with Yellow Handle	HRGMC30

① Only one accessory may be installed in GMCP.

② For use with standard 35 mm DIN rail such as, 35 x 7.5 or 15 mm per DIN EN50022.

③ LH only.

④ RH only.

⑤ Motor FLA ranges are typical. The corresponding trip setting is at 13 times the minimum FLA value shown. Where a 13 times setting is required for an intermediate FLA value, alternate cam settings and/or MCP ratings should be used.

⑥ For use with GMCP only.

**F-Frame**

600 Vac Maximum, 250 Vdc Maximum

MCP Catalog Number	NEMA Starter Size	Continuous Amperes	Cam Setting	Motor Full Load Center Amperes <sup>①</sup>	MCP Trip Setting <sup>②</sup>
HMCP003A0C	0	3	A	.69 - .91	9
			B	.92 - 1.0	12
			C	1.1 - 1.2	15
			D	1.3 - 1.5	18
			E	1.6 - 1.7	21
			F	1.8 - 1.9	24
			G	2.0 - 2.2	27
			H	2.3 - 2.5	30
HMCP007C0C	0	7	A	1.5 - 2.0	21
			B	2.1 - 2.5	28
			C	2.6 - 3.1	35
			D	3.2 - 3.6	42
			E	3.7 - 3.9	49
			F	4.3 - 4.7	56
			G	4.8 - 5.2	63
			H	5.3 - 5.7	70
HMCP015E0C	0	15	A	3.4 - 4.5	45
			B	4.6 - 5.6	60
			C	5.7 - 6.8	75
			D	6.9 - 7.9	90
			E	8.0 - 9.1	105
			F	9.2 - 10.3	120
			G	10.4 - 11.4	135
			H	11.5 - 12.6	150
HMCP030H1C	1	30	A	6.9 - 9.1	90
			B	9.2 - 11.4	120
			C	11.5 - 13.7	150
			D	13.8 - 16.0	180
			E	16.1 - 18.3	210
			F	18.4 - 20.6	240
			G	20.7 - 22.9	270
			H	23.0 - 25.2	300
HMCP050K2C	2	50	A	11.5 - 15.2	150
			B	15.3 - 19.1	200
			C	19.2 - 22.9	250
			D	23.0 - 26.8	300
			E	26.9 - 30.6	350
			F	30.7 - 34.5	400
			G	34.6 - 38.3	450
			H	38.4 - 42.1	500
HMCP070M2C	2	70	A	16.1 - 21.4	210
			B	21.5 - 26.8	280
			C	26.9 - 32.2	350
			D	32.3 - 37.5	420
			E	37.6 - 42.9	490
			F	43.0 - 48.3	560
			G	48.4 - 53.7	630
			H	53.8 - 59.1	700
HMCP100R3C	3	100	A	23.0 - 30.6	300
			B	30.7 - 38.3	400
			C	38.4 - 46.0	500
			D	46.1 - 53.7	600
			E	53.8 - 61.4	700
			F	61.5 - 69.1	800
			G	69.2 - 76.8	900
			H	76.9 - 84.5	1000

**F-Frame (Continued)**

600 Vac Maximum, 250 Vdc Maximum

MCP Catalog Number	NEMA Starter Size	Continuous Amperes	Cam Setting	Motor Full Load Center Amperes <sup>①</sup>	MCP Trip Setting <sup>②</sup>
HMCP150T4C	4	150	A	34.6 - 46.0	450
			B	46.1 - 57.5	600
			C	57.6 - 69.1	750
			D	69.2 - 80.6	900
			E	80.7 - 92.2	1050
			F	92.3 - 103.7	1200
			G	103.8 - 115.2	1350
			H	115.3 - 126.7	1500
HMCP150U4C	4	150	A	57.0 - 75.0	750
			B	76.0 - 95.0	1000
			C	96.0 - 114.0	1250
			D	115.0 - 130.7	1500
			E	③	1750
			F	③	2000
			G	③	2250
			H	③	2500

Instruction Leaflet/FRED Number 29C401

**Special Low Magnetic Protection Application MCP**

600 Vac Maximum, 250 Vdc Maximum

MCP Catalog Number	NEMA Starter Size	Continuous Amperes	Cam Setting	Motor Full Load Center Amperes	MCP Trip Setting <sup>②</sup>
HMCP025D0C	-	25A	A	-	40
			B	-	43
			C	-	46
			D	-	49
			E	-	52
			F	-	55
			G	-	58
			H	-	60
HMCP050G2C	-	50A	A	-	80
			B	-	87
			C	-	93
			D	-	98
			E	-	103
			F	-	109
			G	-	115
			H	-	120
HMCP070J2C	-	70A	A	-	115
			B	-	122
			C	-	130
			D	-	139
			E	-	145
			F	-	153
			G	-	160
			H	-	170
HMCP100L3C	-	100A	A	-	160
			B	-	174
			C	-	185
			D	-	196
			E	-	207
			F	-	218
			G	-	229
			H	-	240

Instruction Leaflet/FRED Number 29C407

- ① Motor FLA ranges are typical. The corresponding trip setting is at 13 times the minimum FLA value shown. Where a 13 times setting is required for an intermediate FLA value, alternate cam settings and/or MCP ratings should be used.
- ② For Dc applications, actual trip levels are approximately 40% higher than values shown.
- ③ Settings above 130 amperes are for special applications. NEC Article 430-110(a) requires the ampere rating of the disconnecting means to be not less than 115% of the motor full load ampere rating.

## MCPs for Application with Motor Starters Equipped with Electronic Overload Relays

600 Vac Maximum, 250 Vdc Maximum

MCP Catalog Number	NEMA Starter Size	Continuous Amperes	Cam Setting	Motor Full Load Center Amperes <sup>①</sup>	MCP Trip Setting <sup>②</sup>
HMCPS003A0C	0	3	A	.69 - .91	9
			B	.92 - 1.0	12
			C	1.1 - 1.2	15
			D	1.3 - 1.5	18
			E	1.6 - 1.7	21
			F	1.8 - 1.9	24
			G	2.0 - 2.2	27
			H	2.3 - 2.5	30
HMCPS007C0C	0	7	A	1.5 - 2.0	21
			B	2.1 - 2.5	28
			C	2.6 - 3.1	35
			D	3.2 - 3.6	42
			E	3.7 - 3.9	49
			F	4.3 - 4.7	56
			G	4.8 - 5.2	63
			H	5.3 - 5.7	70
HMCPS015E0C	0	15	A	3.4 - 4.5	45
			B	4.6 - 5.6	60
			C	5.7 - 6.8	75
			D	6.9 - 7.9	90
			E	8.0 - 9.1	105
			F	9.2 - 10.3	120
			G	10.4 - 11.4	135
			H	11.5 - 12.6	150
HMCPS030H1C	1	30	A	6.9 - 9.1	90
			B	9.2 - 11.4	120
			C	11.5 - 13.7	150
			D	13.8 - 16.0	180
			E	16.1 - 18.3	210
			F	18.4 - 20.6	240
			G	20.7 - 22.9	270
			H	23.0 - 25.2	300
HMCPS050K2C	2	50	A	11.5 - 15.2	150
			B	15.3 - 19.1	200
			C	19.2 - 22.9	250
			D	23.0 - 26.8	300
			E	26.9 - 30.6	350
			F	30.7 - 34.5	400
			G	34.6 - 38.3	450
			H	38.4 - 42.1	500
HMCPS100R3C	3	100	A	23.0 - 30.6	300
			B	30.7 - 38.3	400
			C	38.4 - 46.0	500
			D	46.1 - 53.7	600
			E	53.8 - 61.4	700
			F	61.5 - 69.1	800
			G	69.2 - 76.8	900
			H	76.9 - 84.5	1000
HMCPS150T4C	4	150	A	34.6 - 46.0	450
			B	46.1 - 57.5	600
			C	57.6 - 69.1	750
			D	69.2 - 80.6	900
			E	80.7 - 92.2	1050
			F	92.3 - 103.7	1200
			G	103.8 - 115.2	1350
			H	115.3 - 126.7	1500
HMCPS150U4C	4	150	A	57.0 - 75.0	750
			B	76.0 - 95.0	1000
			C	96.0 - 114.0	1250
			D	115.0 - 130.7	1500
			E	③	1750
			F	③	2000
			G	③	2250
			H	③	2500

Instruction Leaflet/FRED Number 29C401

## Type ELC Current Limiter Attachment (Size 0-4)



The type ELC current limiter attachment for the Series C MCP is designed to provide increased interrupting capacity. The combination may be used for the application up to 200,000A symmetrical at 600 Vac making the MCP suitable for use in network distribution systems or other applications where unusually high fault currents are available. The current limiter connects to the load end of the MCP and is provided with terminals suitable for copper or aluminum conductors. (See table).

Limiters are coordinated with the MCP so that normal fault currents are interrupted automatically by the MCP without any damage to the limiter. Only the rare very high fault is opened by the limiter. Faults that are interrupted by the limiter are interrupted by the limiter also magnetically trip the MCP, opening all three poles, preventing single-phase operation.

Each of the three poles of the type ELC limiter is equipped with an indicator that extends when a fault is interrupted by the limiter.

### Type ELC Current Limiter Terminal Wire Sizes<sup>④</sup>

Type ELC Current Limiter Maximum Amperes	Standard Aluminum Terminals		Nonstandard Terminals (Steel)	
	Wire Range AWG	Metric (mm <sup>2</sup> )	Wire Range AWG	Metric (mm <sup>2</sup> )
50	#14-2	2.5-35	#14-2 <sup>⑤</sup>	2.5-35
100	#1-4/0	50-95	-	-
150	#1-4/0	50-95	-	-

### ELC Current Limiter Attachment

MCP Rating (Amperes)	Catalog Number
3	ELC3003R
7	ELC3007R
15	ELC3015R
30	ELC3030R
50	ELC3050R
100	ELC3100R
150	ELC3150R

Instruction Leaflet/FRED Number 29C401

- Motor FLA ranges are typical. The corresponding trip setting is at 13 times the minimum FLA value shown. Where a 13 times setting is required for an intermediate FLA value, alternate cam settings and/or MCP ratings should be used.
- For Dc applications, actual trip levels are approximately 40% higher than values shown.
- Settings above 130 amperes are for special applications. NEC Article 430-110(a) requires the ampere rating of the disconnecting means to be not less than 115% of the motor full load ampere rating.
- Terminal wire connectors are UL listed for standard stranded wire sizes as defined in UL486A or UL486B.
- Optional on special order for copper cable only.

**J-Frame**

600 Vac Maximum, 250 Vdc Maximum

MCP Catalog Number <sup>①</sup>	NEMA Starter Size	Continuous Amperes	Cam Setting	Motor Full Load Center Amperes <sup>②</sup>	MCP Trip Setting <sup>③</sup>
<b>HMCP250A5C</b>	4	250	A	27.0 - 30.7	350
	4		B	30.8 - 33.8	400
	4		C	33.9 - 36.9	440
	5		D	37.0 - 40.3	480
	5		E	40.4 - 43.8	525
	5		F	43.9 - 46.9	570
	5		G	47.0 - 50.7	610
	5		H	50.8 - 53.8	660
	5		I	53.9 - 57.2	700
<b>HMCP250C5C</b>	5	250	A	34.7 - 38.8	450
	5		B	38.9 - 43.4	505
	5		C	43.5 - 47.6	565
	5		D	47.7 - 52.2	620
	5		E	52.3 - 56.5	680
	5		F	56.6 - 60.7	735
	5		G	60.8 - 64.9	790
	5		H	65.0 - 69.2	845
	5		I	69.3 - 73.5	900
<b>HMCP250D5C</b>	5	250	A	38.5 - 43.4	500
	5		B	43.5 - 48.0	565
	5		C	48.1 - 53.0	625
	5		D	53.1 - 57.6	690
	5		E	57.7 - 62.3	750
	5		F	62.4 - 67.3	810
	5		G	67.4 - 71.9	875
	5		H	72.0 - 76.9	935
	5		I	77.0 - 81.6	1000
<b>HMCP250F5C</b>	5	250	A	48.1 - 53.8	625
	5		B	53.9 - 59.9	700
	5		C	60.0 - 66.1	780
	5		D	66.2 - 72.3	860
	5		E	72.4 - 78.4	940
	5		F	78.5 - 83.8	1020
	5		G	83.9 - 89.9	1090
	5		H	90.0 - 96.1	1170
	5		I	96.2 - 102.0	1250
<b>HMCP250G5C</b>	5	250	A	57.7 - 64.6	750
	5		B	64.7 - 71.9	840
	5		C	72.0 - 79.2	935
	5		D	79.3 - 86.5	1030
	5		E	86.6 - 93.8	1125
	5		F	93.9 - 101.1	1220
	5		G	101.2 - 108.4	1315
	5		H	108.5 - 115.3	1410
	5		I	115.4 - 122.4	1500

MCP Catalog Number <sup>①</sup>	NEMA Starter Size	Continuous Amperes	Cam Setting	Motor Full Load Center Amperes <sup>②</sup>	MCP Trip Setting <sup>③</sup>
<b>HMCP250J5C</b>	5	250	A	67.4 - 75.3	875
	5		B	75.4 - 83.8	980
	5		C	83.9 - 92.3	1090
	5		D	92.4 - 100.7	1200
	5		E	100.8 - 109.2	1310
	5		F	109.3 - 117.6	1420
	5		G	117.7 - 126.1	1530
	5		H	126.2 - 134.6	1640
	5		I	134.7 - 142.8	1750
<b>HMCP250K5C</b>	5	250	A	77.0 - 86.6	1000
	5		B	86.6 - 96.1	1125
	5		C	96.2 - 105.7	1250
	5		D	105.8 - 115.3	1375
	5		E	115.4 - 124.9	1500
	5		F	125.0 - 134.6	1625
	5		G	134.7 - 144.2	1750
	5		H	144.3 - 153.8	1875
	5		I	153.9 - 163.3	2000
<b>HMCP250L5C</b>	5	250	A	86.6 - 97.3	1125
	5		B	97.4 - 108.4	1265
	5		C	108.5 - 118.8	1410
	5		D	118.9 - 129.9	1545
	5		E	130.0 - 140.7	1690
	5		F	140.8 - 151.5	1830
	5		G	151.6 - 162.3	1970
	5		H	162.4 - 173.0	2110
	5		I	173.1 - 183.6	2250
<b>HMCP250W5C</b>	5	250	A	96.2 - 108.0	1250
	5		B	108.1 - 119.9	1405
	5		C	120.0 - 132.3	1560
	5		D	132.4 - 144.2	1720
	5		E	144.3 - 156.1	1875
	5		F	156.2 - 168.0	2030
	5		G	168.1 - 179.9	2185
	5		H	180.0 - 192.3	2340
	5		I	192.4 - 204.0	2500

Instruction Leaflet/FRED Number 29C402

- ① Three-pole catalog numbers shown. Two-pole catalog numbers begin with "HM2P" in place of "HMCP."
- ② Motor FLA ranges are typical. The corresponding trip setting is at 13 times the minimum FLA value shown. Where a 13 times setting is required for an intermediate FLA value, alternate cam settings and/or MCP ratings should be used.
- ③ For Dc applications, actual trip levels are approximately 40% higher than values shown.

## K-Frame

600 Vac Maximum, 250 Vdc Maximum

MCP Catalog Number <sup>①</sup>	NEMA Starter Size	Continuous Amperes	Cam Setting	Motor Full Load Center Amperes <sup>②</sup>	MCP Trip Setting <sup>③</sup>
HMCP400D5C	5	400	A	38.5 - 43.4	500
	5		B	43.5 - 48.0	565
	5		C	48.1 - 53.0	626
	5		D	53.1 - 57.6	690
	5		E	57.7 - 62.3	750
	5		F	62.4 - 67.3	810
	5		G	67.4 - 71.9	875
	5		H	72.0 - 76.9	935
	5		I	77.0 - 81.6	1000
HMCP400F5C	5	400	A	48.1 - 53.8	625
	5		B	53.9 - 59.9	700
	5		C	60.0 - 66.1	780
	5		D	66.2 - 72.3	860
	5		E	72.4 - 78.4	940
	5		F	78.5 - 83.8	1020
	5		G	83.9 - 89.9	1090
	5		H	90.0 - 96.1	1170
	5		I	96.2 - 102.0	1250
HMCP400G5C	5	400	A	57.7 - 64.6	750
	5		B	64.7 - 71.9	840
	5		C	72.0 - 79.2	935
	5		D	79.3 - 86.5	1030
	5		E	86.6 - 93.8	1125
	5		F	93.9 - 101.1	1220
	5		G	101.2 - 108.4	1315
	5		H	108.5 - 115.3	1410
	5		I	115.4 - 122.4	1500
HMCP400J5C	5	400	A	67.4 - 75.3	875
	5		B	75.4 - 83.8	980
	5		C	83.9 - 92.3	1090
	5		D	92.4 - 100.7	1200
	5		E	100.8 - 109.2	1310
	5		F	109.3 - 117.6	1420
	5		G	117.7 - 126.1	1530
	5		H	126.2 - 134.6	1640
	5		I	134.7 - 142.8	1750
HMCP400K5C	5	400	A	77.0 - 86.5	1000
	5		B	86.6 - 96.1	1125
	5		C	96.2 - 105.7	1250
	5		D	105.8 - 115.3	1375
	5		E	115.4 - 124.9	1500
	5		F	125.0 - 134.6	1625
	5		G	134.7 - 144.2	1750
	5		H	144.3 - 153.8	1875
	5		I	153.9 - 163.3	2000

MCP Catalog Number <sup>①</sup>	NEMA Starter Size	Continuous Amperes	Cam Setting	Motor Full Load Center Amperes <sup>②</sup>	MCP Trip Setting <sup>③</sup>
HMCP400L5C	5	400	A	86.6 - 97.3	1125
	5		B	97.4 - 108.4	1265
	5		C	108.5 - 118.8	1410
	5		D	118.9 - 129.9	1545
	5		E	130.0 - 140.7	1690
	5		F	140.8 - 151.5	1830
	5		G	151.6 - 162.3	1970
	5		H	162.4 - 173.0	2110
	5		I	173.1 - 183.6	2250
HMCP400W5C	5	400	A	96.2 - 108.0	1250
	5		B	108.1 - 119.9	1405
	5		C	120.0 - 132.3	1560
	5		D	132.4 - 144.2	1720
	5		E	144.3 - 156.1	1875
	5		F	156.2 - 168.0	2030
	5		G	168.1 - 179.9	2185
	5		H	180.0 - 192.3	2340
	5		I	192.4 - 204.0	2500
HMCP400N5C	5	400	A	115.4 - 129.9	1500
	5		B	130.0 - 144.2	1690
	5		C	144.3 - 158.4	1875
	5		D	158.5 - 173.0	2060
	5		E	173.1 - 187.6	2250
	5		F	187.7 - 201.9	2440
	5		G	202.0 - 216.1	2625
	5		H	216.2 - 230.7	2810
	5		I	230.8 - 244.9	3000
HMCP400R5C	5	400	A	134.7 - 151.5	1750
	5		B	151.6 - 168.4	1970
	5		C	168.5 - 185.3	2190
	5		D	185.4 - 201.9	2410
	5		E	202.0 - 218.8	2625
	5		F	218.9 - 235.7	2845
	5		G	235.8 - 252.6	3065
	5		H	252.7 - 269.2	3285
	5		I	269.3 - 285.7	3500
HMCP400X5C	5	400	A	153.9 - 173.0	2000
	5		B	173.1 - 192.3	2250
	5		C	192.4 - 211.5	2500
	5		D	211.6 - 230.7	2750
	5		E	230.8 - 249.9	3000
	5		F	250.0 - 269.2	3250
	5		G	269.3 - 288.4	3500
	5		H	288.5 - 307.6	3750
	5		I	307.7 - 326.9	4000

Instruction Leaflet/FRED Number 29C403

## L-Frame<sup>④</sup>

600 Vac Maximum

MCP Catalog Number	NEMA Starter Size	Continuous Amperes	Cam Setting	Motor Full Load Center Amperes <sup>②</sup>	MCP Trip Setting
HMCP600L6W	6	600	A	138.5 - 184.5	1800
	6		B	184.6 - 230.7	2400
	6		C	230.8 - 276.8	3000
	6		D	276.9 - 323.0	3600
	6		E	323.1 - 369.1	4200
	6		F	369.2 - 415.3	4800
	6		G	415.4 - 461.4	5400
	6		H	461.5 - 507.7	6000

Instruction Leaflet/FRED Number 29C404

① Three-pole catalog numbers shown. Two-pole catalog numbers begin with "HM2P" in place of "HMCP."

② Motor FLA ranges are typical. The corresponding trip setting is at 13 times the minimum FLA value shown. Where a 13 times setting is required for an intermediate FLA value, alternate cam settings and/or MCP ratings should be used.

③ For Dc applications, actual trip levels are approximately 40% higher than values shown.

④ Equipped with electronic trip device.



Typical Series C Earth Leakage Circuit Breaker

## General Information

Series C Earth Leakage Breakers offer superior Class 1 ground fault protection and improved ground fault coordination capability.

Earth leakage ground fault protection differs from other types of systems in its level of sensitivity. The sensitivity of traditional devices is limited by the cumulative error of the residual current sensors and the placement of the phase and neutral conductors inside the current sensor.

Leakage breakers are zero sequence sensing devices. They are factory supplied with a single sensor and ground fault relay built-in. This technique allows for protection sensitivities down to the 30 milliampere level.

Leakage breakers are provided with a full complement of easy adjustments. The ground fault pickup setting is adjustable from 0.03 to 30 amperes in eight steps, and the ground fault time delay setting is adjustable from instantaneous to 2.0 seconds in six steps. When the pickup is set to 30 mA, the time delay setting defaults internally to instantaneous only. Increased selectivity provides for improved coordination with upstream and downstream ground fault devices as well as the flexibility to adjust for transient currents.

## Applications

### Three-Phase, Four-Wire Loads

For three-phase applications with line-to-neutral loads, select 4-pole earth leakage breakers and wire the neutral through the fourth (right) pole.

### Three-Phase, Three-Wire Loads

For applications with only three-phase, three-wire, line-to-line connected loads, select 3-pole earth leakage breakers.

### Single-Phase Loads

For single-phase, two-wire or three-wire applications, use a 3-pole earth leakage breaker and connect all conductors through the breaker.

## Accessories

### Optional Factory Installed Internal Accessories

Earth leakage breakers use the same internal accessories as standard F-, J- and K-Frame Series C Breakers. Internal accessories fit in the right-hand pole space and are available as factory modifications only.

### Optional External Accessories

Series C Earth Leakage Breakers use the same external accessories as the standard F-, J- and K-Frame circuit breakers.

Selection Guide and Ordering Information

F-Frame Earth Leakage Ground Fault Breakers UL 489 and UL 1053 – Catalog Numbers

Amperes <sup>③</sup>	25 kA at 480 VAC		65 kA at 480 VAC		100 kA at 480 VAC	
	3-Pole	4-Pole	3-Pole	4-Pole	3-Pole	4-Pole
35	ELFD3035L	ELFD4035L	ELHFD3035L	ELHFD4035L	ELFDC3035L	ELFDC4035L
40	ELFD3040L	ELFD4040L	ELHFD3040L	ELHFD4040L	ELFDC3040L	ELFDC4040L
45	ELFD3045L	ELFD4045L	ELHFD3045L	ELHFD4045L	ELFDC3045L	ELFDC4045L
50	ELFD3050L	ELFD4050L	ELHFD3050L	ELHFD4050L	ELFDC3050L	ELFDC4050L
60	ELFD3060L	ELFD4060L	ELHFD3060L	ELHFD4060L	ELFDC3060L	ELFDC4060L
70	ELFD3070L	ELFD4070L	ELHFD3070L	ELHFD4070L	ELFDC3070L	ELFDC4070L
80	ELFD3080L	ELFD4080L	ELHFD3080L	ELHFD4080L	ELFDC3080L	ELFDC4080L
90	ELFD3090L	ELFD4090L	ELHFD3090L	ELHFD4090L	ELFDC3090L	ELFDC4090L
100	ELFD3100L	ELFD4100L	ELHFD3100L	ELHFD4100L	ELFDC3100L	ELFDC4100L
110	ELFD3110L	ELFD4110L	ELHFD3110L	ELHFD4110L	ELFDC3110L	ELFDC4110L
125	ELFD3125L	ELFD4125L	ELHFD3125L	ELHFD4125L	ELFDC3125L	ELFDC4125L
150	ELFD3150L	ELFD4150L	ELHFD3150L	ELHFD4150L	ELFDC3150L	ELFDC4150L

J-Frame Earth Leakage Ground Fault Breakers UL 489 and UL 1053 – Catalog Numbers

Amperes	35 kA at 480 VAC		65 kA at 480 VAC		100 kA at 480 VAC	
	3-Pole	4-Pole	3-Pole	4-Pole	3-Pole	4-Pole
100	ELJD3100	ELJD4100	ELHJD3100	ELHJD4100	ELJDC3100	ELJDC4100
125	ELJD3125	ELJD4125	ELHJD3125	ELHJD4125	ELJDC3125	ELJDC4125
150	ELJD3150	ELJD4150	ELHJD3150	ELHJD4150	ELJDC3150	ELJDC4150
175	ELJD3175	ELJD4175	ELHJD3175	ELHJD4175	ELJDC3175	ELJDC4175
200	ELJD3200	ELJD4200	ELHJD3200	ELHJD4200	ELJDC3200	ELJDC4200
225	ELJD3225	ELJD4225	ELHJD3225	ELHJD4225	ELJDC3225	ELJDC4225
250	ELJD3250	ELJD4250	ELHJD3250	ELHJD4250	ELJDC3250	ELJDC4250

K-Frame Earth Leakage Ground Fault Breakers UL 489 and UL 1053 – Catalog Numbers

Amperes	35 kA at 480 VAC		65 kA at 480 VAC		100 kA at 480 VAC	
	3-Pole	4-Pole	3-Pole	4-Pole	3-Pole	4-Pole
200	ELKD3200	ELKD4200	ELHKD3200	ELHKD4200	ELKDC3200	ELKDC4200
225	ELKD3225	ELKD4225	ELHKD3225	ELHKD4225	ELKDC3225	ELKDC4225
250	ELKD3250	ELKD4250	ELHKD3250	ELHKD4250	ELKDC3250	ELKDC4250
300	ELKD3300	ELKD4300	ELHKD3300	ELHKD4300	ELKDC3300	ELKDC4300
350	ELKD3350	ELKD4350	ELHKD3350	ELHKD4350	ELKDC3350	ELKDC4350
400	ELKD3400	ELKD4400	ELHKD3400	ELHKD4400	ELKDC3400	ELKDC4400

Standard Line and Load Terminals – Included with Breaker

Frame	Wire Type	(Number) Range of Conductors	Terminal Material	
F-Frame	35-100A	Cu/Al	(1) #14-1/0	Steel
F-Frame	110-150A	Cu/Al	(1) #4-4/0	Stainless Steel
J-Frame	100-250A	Cu/Al	(1) #4-250 kcmil	Aluminum
K-Frame	200-350A	Cu/Al	(1) 250-500 kcmil	Aluminum
K-Frame	400A	Cu/Al	(2) 3/0-250 kcmil	Aluminum

Optional K-Frame Line and Load Terminals – Order Separately

Wire Type	(Number) Range of Conductors	Terminal Material	Catalog Number
Cu/Al	(2) 250 kcmil	Aluminum	3TA401K <sup>①</sup>
Cu/Al	(1) 500 kcmil	Aluminum	
Cu/Al	(2) 250 kcmil	Aluminum	4TA401K <sup>②</sup>
Cu/Al	(1) 500 kcmil	Aluminum	
Cu	(1) 3-350 kcmil	Copper	T300K
Cu	(1) 3-350 kcmil	Copper	T300K
Cu	(1) 250-500 kcmil	Copper	T350K
Cu	(1) 250-500 kcmil	Copper	T350K
Cu	(1) 3/0-250 kcmil	Copper	3T400K <sup>①</sup>
Cu	(1) 3/0-250 kcmil	Copper	3T400K <sup>②</sup>

F-Frame HMCP with Earth Leakage Ground Fault

Continuous Amperes	Catalog Number 3-Pole
3	ELHMCP003A0C
7	ELHMCP007C0C
15	ELHMCP015E0C
25	ELHMCP025X0C
30	ELHMCP030H1C
50	ELHMCP050K2C
70	ELHMCP070M2C
100	ELHMCP100R3C
150	ELHMCP150T4C
150	ELHMCP150U4C
3	ELHMCP003A0LC
7	ELHMCP007C0LC
15	ELHMCP015E0LC
25	ELHMCP025D0C
30	ELHMCP030H1LC
50	ELHMCP050G2C
70	ELHMCP070J2C
100	ELHMCP100L3C
–	ELHMCP024D0IC
–	ELHMCP050G2IC
–	ELHMCP070J2IC
100	ELHMCP100K3C

HMCPs for Application with Motor Starters Equipped with Electrical Overload Relays

Continuous Amperes	Catalog Number 3-Pole
3	ELHMCP003A0C
7	ELHMCP007C0C
15	ELHMCP015E0C
30	ELHMCP030H1C
50	ELHMCP050K2C
100	ELHMCP100R3C
150	ELHMCP150T4C
150	ELHMCP150U4C

J-Frame HMCP with Earth Leakage Ground Fault

Continuous Amperes	Catalog Number 3-Pole
250	ELHMCP250A5
	ELHMCP250C5
	ELHMCP250D5
	ELHMCP250F5
	ELHMCP250G5
	ELHMCP250J5
400	ELHMCP250K5
	ELHMCP250L5
	ELHMCP250V5
	ELHMCP400D5
	ELHMCP400F5
	ELHMCP400G5
	ELHMCP400J5
	ELHMCP400K5

① Package of 3 terminals.

② Package of 4 terminals.

③ 15, 20, 25, and 30 ampere available.



**Type FCL Current Limit-R Thermal-Magnetic Circuit Breakers**

15 to 100 Amperes, 480 Volts Ac  
Non-Interchangeable Trip, Line and  
Load Terminals Included



Type FCL Breaker

**Dimensions / Weights**

**Dimensions, Inches**

Number of Poles	Width	Height	Depth
2-3	4.125 (104.78)	8.75 (222.25)	3.375 (85.73)

**Approximate Shipping Weight, Lbs. (kg)**

2-Pole	9 (4.082)
3-Pole	9 (4.082)

**Listed with Underwriters Laboratories, Inc. except as noted.**

Type FCL breakers are not defined in Federal Specification W-C-375-b.

**Interrupting Capacity Ratings**

Circuit Breaker Type	Volts Ac (50/60 Hz)	Interrupting Capacity (Symmetrical Amperes) (kA)
FCL	240 480	200 150

On all 3-phase Delta, Grounded B phase applications, refer to Cutler-Hammer.

Maximum Continuous Ampere Rating @ 40°C	2-Pole <sup>①</sup>	3-Pole
	Catalog Number	
15	FCL2015L	FCL3015L
20	FCL2020L	FCL3020L
25	FCL2025L	FCL3025L
30	FCL2030L	FCL3030L
35	FCL2035L	FCL3035L
40	FCL2040L	FCL3040L
45	FCL2045L	FCL3045L
50	FCL2050L	FCL3050L
60	FCL2060L	FCL3060L
70	FCL2070L	FCL3070L
80	FCL2080L	FCL3080L
90	FCL2090L	FCL3090L
100	FCL2100L	FCL3100L

**Line and Load Terminals**

Breakers listed include line and load terminals. Terminals are Underwriters Laboratories, Inc. listed for wire sizes and types listed below. When used with aluminum cable, use joint compound. To order optional aluminum terminals, add suffix "Z" to breaker catalog number listed.

Maximum Breaker Amperes	Wire Type	AWG Wire Range
<b>Standard Pressure Terminals</b>		
100	Al/Cu	#14-1/0
<b>Optional Al/Cu Pressure Terminals</b>		
50	Al/Cu	#14-#4
100	Al/Cu	#4-4/0

① 2-pole breakers are supplied in 3-pole frames with current carrying parts omitted from the center pole.



**Type LCL Current Limit-R Electronic Circuit Breakers**

125 to 400 Amperes, 600 Volts Ac with Solid State Trip Units



Type LCL Breaker

**Dimensions / Weights**

**Dimensions, Inches**

Number of Poles	Width	Height	Depth
2-3	16 (406.40)	8.25 (209.56)	4.0625 (103.19)

**Approximate Shipping Weight, Lbs. (kg)**

Standard	
2-Pole	32 (14.515)
3-Pole	32 (14.515)
With Ground Fault	
3-Pole	36 (16.329)

**Listed with Underwriters Laboratories, Inc. except as noted.**

Type LCL breakers are not defined in Federal Specification W-C-375-b.

**Interrupting Capacity Ratings**

Circuit Breaker Type	Volts Ac (50/60 Hz)	Interrupting Capacity (Symmetrical Amperes) (kA)
LCL	240	200
	480	200
	600	100

On all 3-phase Delta, Grounded B phase applications, refer to Cutler-Hammer.

**Standard Breakers 600 Volts Ac, 50/60 Hz**

Complete breaker requires frame, rating plug and terminals

Frame Only			
Poles <sup>①</sup>	Standard (Long Delay, Magnetic Trip and Current Limiting)	Magnetic Only <sup>②</sup> and Current Limiting	Long Delay, Magnetic Trip and Adjustable Short Delay Time (.08-.28 seconds), and Current Limiting
	Catalog Number		

**Types LCL and LCLA 250 Ampere Frame (125-250 Amperes)**

2	LCL2250F	LCL2250FM	LCLA2250F
3	LCL3250F	LCL3250FM	LCLA3250F

**Type LCL and LCLA 400 Ampere Frame (200-400 Amperes)**

2	LCL2400F	LCL2400FM	LCLA2400F
3	LCL3400F	LCL3400FM	LCLA3400F

Instruction Leaflet/FRED Number 15257

**Breakers with Built-in Ground Fault Protection**

Complete breaker requires frame, rating plug and terminals – extra current transformer included for neutral.

Frame Only		
Poles <sup>①</sup>	Standard (Long Delay, Magnetic Trip, Current Limiting, and Ground Fault Trip)	Long Delay, Magnetic Trip and Adjustable Short Delay Time (.06-.22 seconds), and Ground Fault Trip and Current Limiting
	Catalog Number	

**Types LCLG and LCLGA 250 Ampere Frame (125-250 Amperes)**

3	LCLG3250F	LCLGA3250F
---	-----------	------------

**Types LCLG and LCLGA 400 Ampere Frame (200-400 Amperes)**

3	LCLG3400F	LCLGA3400F
---	-----------	------------

Instruction Leaflet/FRED Number 15495

**Terminals<sup>③</sup> (Order Separately)**

Two terminals are required per pole. Terminals are Underwriters Laboratories, Inc. listed for wire type and range listed below. When used with aluminum cable, use joint compound.

Maximum Breaker Amperes	Wire Range, Type, Number of Cables	Terminal Catalog Number
225	1#6-350 kcmil Cu	T225LA
400	1#4-250 kcmil Cu, plus 1 3/0-600 kcmil Cu	T401LA

**Standard Copper Pressure Terminals**

225	1#6-350 kcmil Cu, or 1#4-350 kcmil Al	TA225LA1
400	1#4-250 kcmil Al/Cu, plus 1 3/0-600 kcmil Al/Cu	TA400LA1

**Optional Al/Cu Pressure Terminals**

225	1#6-350 kcmil Cu, or 1#4-350 kcmil Al	TA225LA1
400	1#4-250 kcmil Al/Cu, plus 1 3/0-600 kcmil Al/Cu	TA400LA1

**Rating Plug Selection Data**

Rating plugs listed below are for both standard breakers and breakers with built-in ground fault protection.

**Rating Plugs Only (For 2- or 3-Pole Frames)**

Contin-uous Ampere Rating	Magnetic Trip Setting, Amperes		Fixed Rating Plugs	Adjustable Rating Plugs <sup>④</sup>
	Low	High		

**Types LCL and LCLA 250 Ampere Frames**

125	375	1125	2LCL125	–
150	450	1350	2LCL150	–
175	525	1575	2LCL175	A2LCL175 <sup>⑤</sup>
200	600	1800	2LCL200	A2LCL200
225	675	2025	2LCL225	A2LCL225
250	750	2250	2LCL250	A2LCL250 <sup>⑥</sup>

**Types LCL and LCLA 400 Ampere Frames**

200	400	1600	4LCL200	–
225	450	1800	4LCL225	–
250	500	2000	4LCL250	–
275	550	2200	4LCL275	–
300	600	2400	4LCL300	A4LCL300 <sup>⑤</sup>
350	700	2800	4LCL350	A4LCL350
400	800	3200	4LCL400	A4LCL400 <sup>⑥</sup>

① 2-pole breakers are supplied in 3-pole frames with current carrying parts omitted from the center pole.

② UL listed recognized component.

③ Terminals shipped separately from breaker.

④ Adjustable 70 to 100% except as noted.

⑤ Adjustable 75 to 100%.

⑥ Adjustable 50 to 100%.

**Type FB Tri-Pac Thermal-Magnetic Circuit Breakers**

15 to 100 Amperes, 600 Volts Ac, 250 Volts Dc, Replaceable Current Limiters



Type Tri-Pac FB Breaker

**Dimensions / Weights**

**Dimensions, Inches**

Number of Poles	Width	Height	Depth
2-3	4.125 (104.78)	8.75 (222.25)	3.5 (88.90)

**Approximate Shipping Weight, Lbs. (kg)**

Breaker	Complete Breaker	
	2-Pole	3-Pole
Tri-Pac FB	10.5	11.5

**Listed with Underwriters Laboratories, Inc. except as noted.**

Tri-Pac FB breakers meet the requirements for Class 16a, 16b, 17a and 26a circuit breakers as defined in Federal Specification W-C-375b.

**Interrupting Capacity Ratings**

**Underwriters Laboratories, Inc. Listed**

600 Volts Ac Maximum: 200,000 Amperes Symmetrical

**Based on NEMA Test Procedures**

250 Volts Dc Maximum: 100,000 Amperes.

On all 3-phase Delta, Ground B phase applications, refer to Cutler-Hammer.

① 2-pole breakers are supplied in 3-pole frames with current carrying parts omitted from the center pole.

Maximum Continuous Ampere Rating @ 40°C	2-Pole①	3-Pole
	Catalog Number (Current Limiters Included)	
15	FB2015PL	FB3015PL
20	FB2020PL	FB3020PL
30	FB2030PL	FB3030PL
40	FB2040PL	FB3040PL
50	FB2050PL	FB3050PL
60	FB2060PL	FB3060PL
70	FB2070PL	FB3070PL
90	FB2090PL	FB3090PL
100	FB2100PL	FB3100PL

**Line and Load Terminals**

Breakers listed include line and load terminals. Terminals are Underwriters Laboratories, Inc. listed for wire sizes and types listed below. When used with aluminum cable, use joint compound. To order optional aluminum terminals, add suffix "Z" to breaker catalog number listed.

Maximum Breaker Amperes	Wire Type	AWG Wire Range
<b>Standard Pressure Terminals</b>		
100	Al/Cu	#14-1/0
<b>Optional Al/Cu Pressure Terminals</b>		
50	Al/Cu	#14-#4
100	Al/Cu	#4-4/0

**Replacement Current Limiters and Housing Assembly**

**Current Limiters: One required per pole.**

Application	Catalog Number
Supplied as standard in Type FB Tri-Pac breakers rated 15-100 amperes. Replaces 200FBP03 formerly supplied on 15-40 ampere ratings, and 500FBP07 formerly supplied on 50-100 ampere ratings.	100FBP06

Refer to CAT.71.01.T.E for complete application information.

**Current Limiter Housing Assembly Complete with Current Limiter**

Ampere Rating	Poles	Style Number
15-100	2	176C593G09
15-100	3	176C593G10

**Type LA Tri-Pac Thermal-Magnetic Circuit Breakers**

70 to 400 Amperes, 600 Volts Ac, 250 Volts Dc, 2-, 3-Pole, Interchangeable Trip, Replaceable Current Limiters



Type Tri-Pac LA Breaker

**Dimensions / Weights**

**Dimensions, Inches**

Number of Poles	Width	Height	Depth
2-3	8.25 (209.56)	16 (406.40)	4.75 (113.54)

**Approximate Shipping Weight, Lbs. (kg)**

Breaker	Complete Breaker		Frame Only		Trip Unit	
	2-Pole	3-Pole	2-Pole	3-Pole	2-Pole	3-Pole
Tri-Pac LA	29.75	34	23.5	25	2.25	3

**Listed with Underwriters Laboratories, Inc. except as noted.**

Tri-Pac LA breakers meet the requirements for Class 16a, 16b, 17a and 26a circuit breakers as defined in Federal Specification W-C-375b.

**Interrupting Capacity Ratings**

**Underwriters Laboratories, Inc. Listed**

600 Volts Ac Maximum: 200,000 Amperes Symmetrical

**Based on NEMA Test Procedures**

250 Volts Dc Maximum: 100,000 Amperes.

On all 3-phase Delta, Ground B phase applications, refer to Cutler-Hammer.

Continu-ous Ampere Rating @40°C	Magnetic Trip Setting Amperes <sup>④</sup>		Complete Breaker	Shipped as Frame, Trip Units, Limiters and Terminals <sup>⑤</sup>		
	Low	High	Includes Pressure Type Copper Terminals <sup>⑤</sup>	Frame Only	Trip Unit Only	Current Limiter 1 Required per Pole
			Catalog Number			

**2 Poles, 600 Volts Ac, 250 Volts Dc<sup>⑥</sup>**

70	350	700	LA2070PR	LA2400PRF	LA2070PT	200LAP08
90	450	900	LA2090PR	LA2400PRF	LA2090PT	200LAP08
100	500	1000	LA2100PR	LA2400PRF	LA2100PT	200LAP08
125	625	1250	LA2125PR	LA2400PRF	LA2125PT	200LAP08
150	750	1500	LA2150PR	LA2400PRF	LA2150PT	200LAP08
175	875	1750	LA2175PR	LA2400PRF	LA2175PT	200LAP08
200	1000	2000	LA2200PR	LA2400PRF	LA2200PT	200LAP08
225	1125	2250	LA2225PR	LA2400PRF	LA2225PT	400LAP10
250	1250	2500	LA2250PR	LA2400PRF	LA2250PT	400LAP10
300	1500	3000	LA2300PR	LA2400PRF	LA2300PT	400LAP10
350	1750	3500	LA2350PR	LA2400PRF	LA2350PT	400LAP10
400	2000	4000	LA2400PR	LA2400PRF	LA2400PT	400LAP10

**3 Poles, 600 Volts Ac, 250 Volts Dc**

70	350	700	LA3070PR	LA3400PRF	LA3070PT	200LAP08
90	450	900	LA3090PR	LA3400PRF	LA3090PT	200LAP08
100	500	1000	LA3100PR	LA3400PRF	LA3100PT	200LAP08
125	625	1250	LA3125PR	LA3400PRF	LA3125PT	200LAP08
150	750	1500	LA3150PR	LA3400PRF	LA3150PT	200LAP08
175	875	1750	LA3175PR	LA3400PRF	LA3175PT	200LAP08
200	1000	2000	LA3200PR	LA3400PRF	LA3200PT	200LAP08
225	1125	2250	LA3225PR	LA3400PRF	LA3225PT	400LAP10
250	1250	2500	LA3250PR	LA3400PRF	LA3250PT	400LAP10
300	1500	3000	LA3300PR	LA3400PRF	LA3300PT	400LAP10
350	1750	3500	LA3350PR	LA3400PRF	LA3350PT	400LAP10
400	2000	4000	LA3400PR	LA3400PRF	LA3400PT	400LAP10

Instruction Leaflet/FRED Number 14551 for Trip Unit and Fuse

**Current Limiters**

Included with breaker, one required per pole.

Application	Catalog Number
Supplied as standard on ratings through 200 amperes.	200LAP08
Supplied as standard on 225 through 400 ampere ratings, optional on lower ratings when a higher "cross-over point" is desired. (Above two limiters replace 800LAP12 formerly supplied as standard on all ratings, 600LAP09 optional on all ratings through 300 amperes, 300LAP05 optional on ratings through 150 amperes, and special rating limiter 1000LAP14.)	400LAP10
Special rating where a higher "cross-over point" is desired on 200 ampere and higher ratings (Replaces limiter 1500LAP20)	500LAP15 ②③

- ① New limiters suitable for replacement in existing breakers by using plug-in conductor from old limiter (instructions included with limiter). Instruction Leaflet/FRED Number 14824
- ② Not listed with Underwriters Laboratories, Inc.
- ③ Protection based on 100,000 ampere maximum fault, 480 volts maximum.
- ④ Set on high side, adjustable to lower limits.

**Terminals<sup>⑤</sup>**

Two terminals are required per pole. Terminals are Underwriters Laboratories, Inc. listed for wire size and type listed below. When used with aluminum conductors, use joint compound. To order optional aluminum terminals, add suffix "Z" to complete breaker catalog number.

Maximum Breaker Amperes	Wire Range, Type, Number of Cables	Terminal Catalog Number
-------------------------	------------------------------------	-------------------------

**Standard Copper Pressure Terminals**

225	1 #6-350 kcmil Cu	T225LA
225 <sup>⑦</sup>	1 #6-250 kcmil Cu	T225LBF
400	1 #4-250 kcmil Cu, plus 1 3/0-600 kcmil Cu	T401LA

**Optional Al/Cu Pressure Terminals**

225	1 #6-350 kcmil Cu, or 1 #4-350 kcmil Cu/Al	TA225LA1
400	1 #4-250 kcmil Al/Cu, plus 1 3/0-600 kcmil Al/Cu	TA400LA1

Instruction Leaflet/FRED Number 13732

- ⑤ Terminals shipped separately from breakers.
- ⑥ 2-pole breakers or trips are supplied in 3-pole frames with current carrying parts omitted from the center pole.
- ⑦ Optional terminal.

**Type NB Tri-Pac Thermal-Magnetic Circuit Breakers**

300 to 800 Amperes, 600 Volts Ac, 250 Volts Dc<sup>①</sup>, 2-, 3-Pole, Interchangeable Trip, Replaceable Current Limiters



Type Tri-Pac NB Breaker

**Dimensions / Weights**

**Dimensions, Inches**

Number of Poles	Width	Height	Depth
2-3	8.25 (209.56)	22 (558.80)	5.5 (139.70)

**Approximate Shipping Weight, Lbs. (kg)**

Breaker	Complete Breaker		Frame Only		Trip Unit	
	2-Pole	3-Pole	2-Pole	3-Pole	2-Pole	3-Pole
Tri-Pac NB	62	75	58	65	3.5	4

Listed with Underwriters Laboratories, Inc. except as noted.

Tri-Pac NB breakers meet the requirements for Class 16b, 17a and 26a circuit breakers as defined in Federal Specification W-C-375b.

Continu-ous Ampere Rating @40°C	Magnetic Trip Setting Amperes <sup>④</sup>		Complete Breaker	Shipped as Frame, Trip Units, Limiters and Terminals		
	Low	High	Includes Pressure Type Copper Terminals <sup>⑤</sup>	Frame Only	Trip Unit Only	Current Limiter 1 Required per Pole
			Catalog Number			

**2 Poles, 600 Volts Ac, 250 Volts Dc<sup>①③</sup>**

300	1500	3000	NB2300P	NB2800PF	NB2300PT	500NB12
350	1750	3500	NB2350P	NB2800PF	NB2350PT	500NB12
400 <sup>④</sup>	2000	4000	NB2400P	NB2800PF	NB2400PT	500NB12
500 <sup>④</sup>	2500	5000	NB2500P	NB2800PF	NB2500PT	500NB12
600 <sup>④</sup>	3000	6000	NB2600P	NB2800PF	NB2600PT	800NB20
700 <sup>④</sup>	3000	6000	NB2700P	NB2800PF	NB2700PT	800NB20
800 <sup>④</sup>	3000	6000	NB2800P	NB2800PF	NB2800PT	800NB20

**3 Poles, 600 Volts Ac Only**

300	1500	3000	NB3300P	NB3800PF	NB3300PT	500NB12
350	1750	3500	NB3350P	NB3800PF	NB3350PT	500NB12
400 <sup>④</sup>	2000	4000	NB3400P	NB3800PF	NB3400PT	500NB12
500 <sup>④</sup>	2500	5000	NB3500P	NB3800PF	NB3500PT	500NB12
600 <sup>④</sup>	3000	6000	NB3600P	NB3800PF	NB3600PT	800NB20
700 <sup>④</sup>	3000	6000	NB3700P	NB3800PF	NB3700PT	800NB20
800 <sup>④</sup>	3000	6000	NB3800P	NB3800PF	NB3800PT	800NB20

Instruction Leaflet/FRED Number 13771 for Trip Unit and Fuse

**Interrupting Capacity Ratings**

Underwriters Laboratories, Inc. Listed

600 Volts Ac Maximum: 200,000 Amperes Symmetrical

**Based on NEMA Test Procedures**

250 Volts Dc Maximum<sup>①</sup>: 100,000 Amperes.

On all 3-phase Delta, Grounded B phase applications, refer to Cutler-Hammer.

**Current Limiters**

Included with breaker, one required per pole.

Application	Catalog Number
Supplied as standard on ratings through 500 amperes.	500NB12
Supplied as standard on 600 through 800 ampere ratings, optional on lower ratings when a higher "cross-over point" is desired.	800NB20
Above two limiters replace 1000NB14 formerly supplied on ratings up to 600 amperes, 1500NB20 supplied on 700 amperes, and 2500NB25 supplied on 800 amperes.	

**Terminals<sup>②</sup>**

Two terminals are required per pole. Terminals are Underwriters Laboratories, Inc. listed for wire size and type listed below. When used with aluminum conductors, use joint compound. To order optional aluminum terminals, add suffix "Z" to complete breaker catalog number.

Maximum Ampere Rating	Wire Range, Type, Number of Cables	Terminal Catalog Number
350	1 #1-600 kcmil Cu	T350NB
700	2 2/0-500 kcmil Cu	T700NB1
800	3 3/0-500 kcmil Cu	T1000NB1

**Standard Copper Pressure Terminals**

350	1 #1-600 kcmil Cu	T350NB
700	2 2/0-500 kcmil Cu	T700NB1
800	3 3/0-500 kcmil Cu	T1000NB1

**Optional Al/Cu Pressure Terminals**

700	2 #1-500 kcmil Al/Cu	TA700NB1
800	3 3/0-400 kcmil Al/Cu	TA1000NB1
800	3 500-750 kcmil Al/Cu	TA1201NB1

① Dc rating applies to 350 amperes maximum thermal or to magnetic only breakers.  
 ② Shipped separately from breaker  
 ③ 2-pole breakers or trips are supplied in 3-pole frames with current carrying parts omitted from the center pole.  
 ④ 60 Hz Ac only.

**Type PB Tri-Pac Thermal-Magnetic Circuit Breakers**

600 to 1600 Amperes, 600 Volts Ac, 60 Hertz Ac<sup>①</sup>, 250 Volts Dc<sup>②</sup>, 2-, 3- Poles Interchangeable Trip, Replaceable Current Limiters



Type Tri-Pac PB Breaker

**Dimensions / Weights**

**Dimensions, Inches**

Number of Poles	Width	Height	Depth
2-3	12.0625 (306.39)	22.125 (561.98)	9.0625 (230.19)

**Approximate Shipping Weight, Lbs. (kg)**

Breaker	Complete Breaker		Frame Only		Trip Unit	
	2-Pole	3-Pole	2-Pole	3-Pole	2-Pole	3-Pole
Tri-Pac PB	148	179	106	120	18	23

**Listed with Underwriters Laboratories, Inc. except as noted.**

Tri-Pac PB breakers meet the requirements for Class 17a and 26a circuit breakers as defined in Federal Specification W-C-375b.

**Interrupting Capacity Ratings Underwriters Laboratories, Inc. Listed**

600 Volts Ac Maximum: 200,000 Amperes Symmetrical

**Based on NEMA Test Procedures**

250 Volts Dc<sup>②</sup>: 100,000 Amperes.

On all 3-phase Delta, Grounded B phase applications, refer to Cutler-Hammer.

Continu-ous Ampere Rating @40°C	Ac Magnetic Trip Setting (Set on High Side, Adjustable to Lower Limits)		Complete Breaker Includes Rear "T" Connectors <sup>⑤</sup>	Shipped as Frame, Trip Unit Current Limiters and Connectors		
	Low	High		Frame Only	Trip Unit Only <sup>④</sup>	Current Limiter 1 Required per Pole
			Catalog Number			

**2 Poles, 600 Volts Ac<sup>⑤</sup>**

600	1500	5000	PB2600PR	PB21600PRF	PB2600PRT	1000PBPR20
700	1500	5000	PB2700PR	PB21600PRF	PB2700PRT	1000PBPR20
800	1500	5000	PB2800PR	PB21600PRF	PB2800PRT	1000PBPR20
900	1500	5000	PB2900PR	PB21600PRF	PB2900PRT	1000PBPR20
1000	1500	5000	PB21000PR	PB21600PRF	PB21000PRT	1000PBPR20
1200	2000	6000	PB21200PR	PB21600PRF	PB21200PRT	1600PBPR30
1400	2500	7000	PB21400PR	PB21600PRF	PB21400PRT	1600PBPR30
1600	3000	8000	PB21600PR	PB21600PRF	PB21600PRT	1600PBPR30

**3 Poles, 600 Volts Ac Only**

600	1500	5000	PB3600PR	PB31600PRF	PB3600PRT	1000PBPR20
700	1500	5000	PB3700PR	PB31600PRF	PB3700PRT	1000PBPR20
800	1500	5000	PB3800PR	PB31600PRF	PB3800PRT	1000PBPR20
900	1500	5000	PB3900PR	PB31600PRF	PB3900PRT	1000PBPR20
1000	1500	5000	PB31000PR	PB31600PRF	PB31000PRT	1000PBPR20
1200	2000	6000	PB31200PR	PB31600PRF	PB31200PRT	1600PBPR30
1400	2500	7000	PB31400PR	PB31600PRF	PB31400PRT	1600PBPR30
1600	3000	8000	PB31600PR	PB31600PRF	PB31600PRT	1600PBPR30

**Current Limiters**

Included with breaker, one required per pole.

Application	Catalog Number
Supplied as standard on ratings through 1000 amperes. (Replaces limiter 1500PBPR30 formerly supplied on 600 and 700 ampere ratings, and 3000 PBPR27 supplied on 800-1000 ampere ratings.	1000PBPR20
Supplied as standard on 1200 through 1600 ampere ratings. Optional on lower ratings where a higher "cross-over point" is desired. (Replaces limiter 4000PBPR30 formerly supplied on 1200 through 1400 ampere ratings, and 5000PBPR42 supplied on 1600 ampere ratings.	1600PBPR30

**Bus Bar Connectors<sup>⑥</sup>**

**"T" Connector for Cu/Al Bus**

Two required per pole. For rear bus connection. Accepts up to four bus bolts. May be rotated 90°



Catalog Number
BA2000B

**Cable Connector (Optional)**

For "T" connector. Accepts four 600 kcmil copper cables.



Style Number
505C706G04

**Special Breakers<sup>⑥</sup>**

**Magnetic Only Type Tri-Pacs:**

Available on request.

- ① Higher frequency calibration not available. Minimum of 50 Hz calibration available on special order.
- ② 250 volts Dc rating applies only to magnetic only breakers.
- ③ Shipped separately from breaker.

- ④ Magnetic only trip units are available. Order by description.
- ⑤ 2-pole breakers are supplied in 3-pole frames with current carrying parts omitted from center pole.
- ⑥ Not listed with Underwriters Laboratories, Inc.



### Alarm Switch

For light or alarm indication when breaker trips. Does not function with manual operation. Automatically resets when breaker is related. Standard leads extend 18 inches outside of breaker. Longer leads may be specified. Not field mountable.

Breaker Frame	Normal Pole Meeting	Contact Operation (Specific Type Desired)
FCL	Center	Make or Break
LA Tri-Pac	Left	Make or Break
NB Tri-Pac	Left	Make or Break
PB Tri-Pac	Left	Make or Break
LCL	Left <sup>①</sup>	Make or Break

Alarm Switch Contact Rating (Non Inductive) LA Tri-Pac: 10 amperes, 120 volt Ac; 5A, 240 volt Ac.

### Auxiliary Switch<sup>②</sup>

For auxiliary control circuits. Miniature switches mount within breaker. Commonly used for remote indication of open or closed breaker and electrically interlocking component control circuits. "A" contacts are closed when breaker is closed. "B" contacts are open when breaker is closed. Standard leads extend 18 inches outside of breaker. Longer leads may be specified.



### Auxiliary Switch Attachment Kits for Field Mounting<sup>③④</sup>

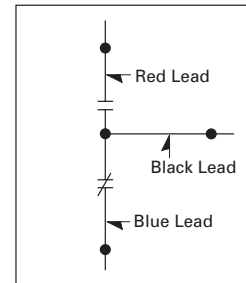
Breaker Type	For Right-Hand Mounting		For Left-Hand Mounting		Maximum Ac Voltage Rating <sup>⑤</sup>	Maximum Non-Inductive Amperes
	1A-1B	2A-2B	1A-1B	2A-2B		
Style Number						
FCL	1369D79G03	-	1369D79G03	-	240	5
NB Tri-Pac	4980D16G05	4980D16G06	4980D16G12	4980D16G13	480	10
PB Tri-Pac	2602D32G14	2602D32G15	2602D32G11	2602D32G12	480	10
LCL	-	-	1372D49G03	1372D49G06	480	6 (10@240)

Instruction Leaflet/FRED Number 14535 NB Tri-Pac; 14534 PB Tri-Pac; 15279 LCL

### Factory Mounted Auxiliary Switches<sup>②</sup>

All of the above auxiliary switches can be specified for factory mounting at the same price as listed for the kit. These attachments have the leads out the side of the breaker and are UL listed when factory mounted unless other non UL listed modifications are used (except as noted).

Factory mounted switches only can be supplied for the following breakers: FB Tri-Pac<sup>®</sup>, LA Tri-Pac. Order by description.



- ① When alarm switch is used in conjunction with auxiliary switch, the auxiliary switch is rated 250 volts max., 5 amperes maximum.
- ② Left-hand mounting is standard unless otherwise specified.
- ③ All switches are multiples of 1A-1B with a common electrical connection (See diagram above).
- ④ Field mounting voids UL listing of breaker except on NB Tri-Pac and PB Tri-Pac breakers.
- ⑤ For Dc applications refer to factory.
- ⑥ Right-hand mounting only.

Shunt Trip



For tripping breaker from a remote point. A solenoid device mounts within breaker case. Breaker trips when coil is energized.

Shunt trips should not be used as circuit interlocks using maintained contact pilot devices.

A cutoff switch breaks the circuit to the momentary rated coil when breaker opens. Available for control voltages up to 250 volts Dc or 600 volts Ac. Voltage and frequency must be specified. Standard leads extend 18 inches outside of breaker. Longer leads may be specified.

Shunt Trip for Field Mounting<sup>①②③</sup>

Voltage/Hz	Breaker Type					
	Right-Hand Mounting			Left-Hand Mounting		
	FCL	NB Tri-Pac	PB Tri-Pac	FCL	NB Tri-Pac	PB Tri-Pac
Style Number						
600/50-60 Hz	1369D80G15	2606D58G15	2606D58G15	1369D80G01	2606D58G01	2606D58G01
480/50-60 Hz	1369D80G16	2606D58G16	2606D58G16	1369D80G02	2606D58G02	2606D58G02
240/50-60 Hz	1369D80G17	2606D58G17	2606D58G17	1369D80G03	2606D58G03	2606D58G03
208/50-60 Hz	1369D80G18	2606D58G18	2606D58G18	1369D80G04	2606D58G04	2606D58G04
120/50-60 Hz	1369D80G19	2606D58G19	2606D58G19	1369D80G05	2606D58G05	2606D58G05
60/50-60 Hz	1369D80G20	2606D58G20	2606D58G20	1369D80G06	2606D58G06	2606D58G06
48/50-60 Hz	1369D80G21	2606D58G21	2606D58G21	1369D80G07	2606D58G07	2606D58G07
24/50-60 Hz	1369D80G22	2606D58G22	2606D58G22	1369D80G08	2606D58G08	2606D58G08
250 Dc	1369D80G23	2606D58G23	2606D58G23	1369D80G09	2606D58G09	2606D58G09
125 Dc	1369D80G24	2606D58G24	2606D58G24	1369D80G10	2606D58G10	2606D58G10
60 Dc	1369D80G25	2606D58G25	2606D58G25	1369D80G11	2606D58G11	2606D58G11
48 Dc	1369D80G26	2606D58G26	2606D58G26	1369D80G12	2606D58G12	2606D58G12
24 Dc	1369D80G27	2606D58G27	2606D58G27	1369D80G13	2606D58G13	2606D58G13
12 Dc	1369D80G28	2606D58G28	2606D58G28	1369D80G14	2606D58G14	2606D58G14

Instruction Leaflet/FRED Numbers  
15194      14919      14940      15194      14919      14940

Factory mounted shunt trips only can be supplied for FB Tri-Pac<sup>④⑤</sup> and LA Tri-Pac breakers. Order by description.

Left-Hand Mounting Kits for Type LCL Current Limiting Breakers<sup>⑥</sup>

Provision to trip flux transfer shunt trip from external 32 to 120 volt (Dc to 60 Hz) source. <sup>⑦⑧</sup>	Style Number
	1372D49G22
Provision to trip flux transfer shunt trip from external 240 to 600 volt (50/60 Hz) source. <sup>⑧⑨</sup>	1372D49G32

Instruction Leaflet/FRED Number 15279

Shunt Trip Coil Data for Type LCL Current Limiting Breakers

Shunt Trip Voltage Rating	Coil Inrush	
	Amperes	Volt-Amperes
120 Ac	.15	18

- ① 120 volt Ac ratings suitable for 55% pickup for ground fault applications.
- ② Not field mountable on non-automatic breakers (MCS).
- ③ Field mounting voids breakers' UL listing except on NB Tri-Pac and PB Tri-Pac.
- ④ Right-hand mounting only.
- ⑤ Not UL listed.
- ⑥ UL listing pending. Refer to Cutler-Hammer.
- ⑦ Rated 48 volts minimum for ground fault applications.
- ⑧ Also available factory mounted for 24 volt Dc. Order by description.
- ⑨ Not for ground fault.

**Standard Undervoltage Release<sup>①</sup>**



For undervoltage protection. A solenoid device mounts within breaker case. Coil must be energized before closing breaker. Trips breaker when voltage drops below 40 to 60% of coil rating. Picks up and seals in at 80% of coil rating. For line voltages up to 250 volts Dc or 600 volts Ac. Externally mounted resistors are supplied for certain ratings. Standard leads extend 18 inches outside of breaker. Longer leads may be specified.

**Note:** U.V.R. attachments are not designed for, and should not be used as, circuit interlocks. For further information, refer to Cutler-Hammer.

**Factory Mounted Undervoltage Releases<sup>②</sup>**

NB Tri-Pac and PB Tri-Pac undervoltage releases can be specified for factory mounting at the same price as the kit. These attachments have the leads out the side and are UL listed when factory mounted unless other non-UL listed modifications are used.

Factory mounted undervoltage releases only can be supplied for the following breakers: FB Tri-Pac<sup>③</sup>, LA Tri-Pac and FCL; LCL 120 Volts Ac only.<sup>④</sup> Order by description.

**Undervoltage Release Attachment Kits for Field Mounting<sup>⑤⑥</sup>**

Attachment Voltage, Hz	Breaker Type			
	For Right-Hand Mounting		For Left-Hand Mounting	
	NB Tri-Pac	PB Tri-Pac	NB Tri-Pac	PB Tri-Pac
Style Number				
24 60	—	—	—	—
48 60	—	5674D29G16	—	5674D29G08
120 60	373D632G01	5674D29G09	373D632G05	5674D29G01
208 60	373D632G19	5674D29G10	373D632G20	5674D29G02
240 60	373D632G02	5674D29G11	373D632G06	5674D29G03
480 60	373D632G03	5674D29G13	373D632G07	5674D29G05
600 60	373D632G04	5674D29G14	373D632G08	5674D29G06
12 Dc	372D032G01	4976D85G01	372D032G06	4976D85G11
24 Dc	372D032G02	4976D85G02	372D032G07	4976D85G12
48 Dc	372D032G03	4976D85G03	372D032G08	4976D85G13
60 Dc	—	4976D85G04	—	4976D85G14
125 Dc	372D032G04	4976D85G07	372D032G09	4976D85G17
250 Dc	372D032G05	4976D85G08	372D032G10	4976D85G18

Instruction Leaflet/FRED Number	14961	13231	14961	13231
---------------------------------	-------	-------	-------	-------

**Undervoltage Release Coil Data**

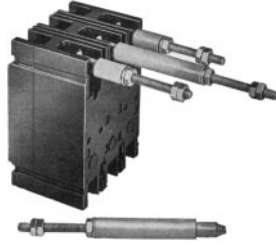
Voltage Rating, Hz	Breaker Type				
	FB Tri-Pac			LCL	
	Coil Amperes	Series Resistance (Ohms)	Total VA	Coil Amperes	Total VA
600 Ac	0.020	25,000	12.0	—	—
480 Ac	0.016	25,000	7.7	—	—
240 Ac	0.021	6,000	5.1	—	—
208 Ac	0.019	6,000	4.0	—	—
120 Ac	0.023	—	2.8	.05	6
60 Ac	0.203	250	12.2	—	—
48 Ac	0.245	150	11.8	—	—
24 Ac	0.250	50	6.0	—	—
250 Ac	0.026	5,000	6.5	—	—
125 Ac	0.026	—	3.3	—	—
60 Ac	0.248	200	14.9	—	—
48 Ac	0.260	150	12.5	—	—
24 Ac	0.141	—	3.4	—	—
12 Ac	0.286	—	3.5	—	—

Voltage Rating, Hz	Breaker Type					
	LA Tri-Pac, PB Tri-Pac			NB Tri-Pac		
	Coil Amperes	External Series Resistance (Ohms)	Total VA	Coil Amperes	External Series Resistance (Ohms)	Total VA
600 Ac	0.029	20,000	17.4	0.016	35,000	9.6
480 Ac	0.014	—	6.8	0.013	30,000	6.3
240 Ac	0.036	—	8.7	0.013	—	3.2
208 Ac	0.036	—	7.5	0.018	—	3.8
120 Ac	0.073	—	8.8	0.023	—	2.8
48 Ac	0.152	—	7.3	—	—	—
250 Dc	0.035	5,000	8.8	0.013	16,500	3.3
125 Dc	0.039	1,500	4.9	0.013	6,500	1.7
60 Dc	0.034	—	2.1	—	—	—
48 Dc	0.040	—	2.0	0.012	600	0.6
24 Dc	0.069	—	1.7	0.023	—	0.6
12 Dc	0.136	—	1.7	0.048	—	0.6

① Not UL listed.  
 ② Right-hand mounting considered standard unless specified otherwise.  
 ③ Right-hand mounting only.  
 ④ UL listing pending.  
 ⑤ Not field mountable on nonautomatic breakers (Molded case switches).  
 ⑥ Field mounting voids UL listing of breaker except on NB Tri-Pac and PB Tri-Pac.



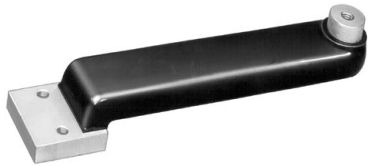
Rear Connected Studs<sup>①</sup>



For complete stud assembly, order a stud and appropriate tube based on thickness of customer's mounting panel. A short stud must be assembled adjacent to a long stud to maintain clearances required by Underwriters Laboratories, Inc.<sup>②</sup> Two studs are required per pole.

Panelboard Connecting  
Staps<sup>①</sup>

For connecting line end of breakers to panelboard bus.



Ampere Rating	Connector Type	Style Number
---------------	----------------	--------------

Power Panelboards (Convertible) Tri-Pac FB and FCL Breakers Bus Spacing 3/2-inch		
50	Center	1253C72G01
50	Outside	1253C72G02
100	Center	1253C73G03
100	Outside	1253C73G04
150	Center	1253C73G01
150	Outside	1253C73G02
3-Pole Mounting Bracket		624B600H01
2-Pole Mounting Bracket		624B600H02

LCL Breakers Bus Spacing 3/2-inch		
400	Short	1275C85G01
400	Medium	1275C85G02
400	Long	1275C85G03
Mtg. Bracket Kit (1 Req'd)		751B044G01

- ① Not Underwriters Laboratories, Inc. listed.
- ② 400 ampere LA studs of the same length have sufficient clearance; however, customer connections may make it necessary to use a short stud adjacent to a long stud.
- ③ Included at no charge when ordered with stud.
- ④ 150, 250, 300 and 400 ampere frames only.
- ⑤ These plug-in adapter kits are UL listed as recognized components.

Mounting Panel Thickness, Inches	Stud		Tube <sup>③</sup>	
	Length	Style Number	Length	Style Number

FCL and FB Tri-Pac Breakers

1	Short	451D874G01	1 1/16	32B9446H20
	Long	451D874G02	3 7/16	32B9446H24
1 1/16 - 1 5/16	Short	451D874G01	1 3/8	32B9446H21
	Long	451D874G02	3 3/4	32B9446H25
3/8 - 5/8	Short	451D874G01	1 11/16	32B9446H22
	Long	451D874G02	4 1/16	32B9446H26
1/4 - 5/16	Short	451D874G01	2	32B9446H23
	Long	451D874G02	4 3/8	32B9446H27

Stud Ampere Rating	Diameter, Inches and Thread	Extension Back of Breaker, Inches	Stud Style Number
--------------------	-----------------------------	-----------------------------------	-------------------

LCL, LA Tri-Pac Breakers

400 <sup>④</sup>	3/4 - 16	5 1/2	05B7383G15
400 <sup>④</sup>	3/4 - 16	7 3/2	05B7383G16
400 <sup>④</sup>	3/4 - 16	10 1/2	05B7383G17

NB Tri-Pac Breakers

450	1 1/2 - 12	5 1/2	623B222G01
450	1 1/2 - 12	8	623B222G02
450	1 1/2 - 12	10 1/2	623B222G03
800	1 1/4 - 12	5 1/2	623B375G04
800	1 1/4 - 12	10 1/2	623B375G03

Plug-in Adapter Kits



For rear connected applications such as switchboards. Facilitates ease of installation and front removal of breaker. Includes conductor for mounting on breaker, plug-in mounting blocks with matching conductor, rear studs and mounting hardware. Order two mounting blocks style number when line and load are required; order one mounting block style number when either line or load is required.

Description	Style Number
-------------	--------------

FB Tri-Pac and FCL Breakers<sup>⑤</sup>

1 Mounting Block, Line or Load	
2-Pole, 100 Ampere	507C036G05
2-Pole, 150 Ampere	507C036G06
3-Pole, 100 Ampere	507C036G03
3-Pole, 150 Ampere	507C036G04

Instruction Leaflet/FRED Number 13782

LCL Breakers

2 Mounting Blocks, Line and Load	
2-Pole	313C644G25
3-Pole	313C644G26
1 Mounting Block, Line and Load	
2-Pole	450D010G15
3-Pole	450D010G16

Instruction Leaflet/FRED Number 15329

NB Tri-Pac Breakers<sup>①</sup>

1 Mounting Block, Line or Load	
NB Tri-Pac, 2 Poles	2614D53G03
NB Tri-Pac, 3 Poles	2614D53G04

Instruction Leaflet/FRED Number 15073

Tri-Pac LA Breakers<sup>①</sup>

2 Mounting Blocks, Line and Load	
2-Pole	313C644G41
3-Pole	313C644G42
1 Mounting Block, Line Only	
2-Pole	450D010G17
3-Pole	450D010G19
1 Mounting Block, Load Only	
2-Pole	450D010G18
3-Pole	450D010G20

**Mounting Block for NB Tri-Pac Breakers<sup>①</sup>**

Ampere Rating	Number of Poles	Style Number
<b>NB Tri-Pac</b>		
800	2	4990D16G04
800	3	4990D16G03

**Extended Line Terminal Shields<sup>①</sup>**



For shielding line side terminal connections. One shield required per breaker. Order separately when needed. Sold only in lots of 10, including hardware.

Breaker Frame	Style Number
FB Tri-Pac, FCL	625B229G01
LA Tri-Pac	314C420G05
NB Tri-Pac	208B996G02

**Base Mounting Hardware**

Order separately when needed.

Breaker Frame	Style Number
FB Tri-Pac, FCL	21C6782G18
LA Tri-Pac	1614613
NB Tri-Pac	1091716
PB Tri-Pac	624375G22

**Moisture-Fungus-Corrosion Treatment<sup>②</sup>**

Treatment can be provided to meet customer's specific atmospheric conditions. Moisture-fungus treating material used meets JAN-T-152; treatment meets MIL-V-173a. Requests and orders should specify government specifications or conditions to be met.

① Not Underwriters Laboratories, Inc. listed. Insulated base with front removeable bolted connection.  
② Included with frame

**Handle Locks<sup>①</sup>**



**Non-Padlockable**

For prevention of unintentional operation of breaker. Fits over breaker handle and may be removed.

**Padlockable**

For prevention of unauthorized operation of breaker. Is non-removable once installed on breaker. Meets Underwriters Laboratories, Inc. and California Code requirements.

**Note:** All breakers are trip free and will trip with handle locks attached. Cannot be used when handle extension is used.

Breaker Frame	Style Number
<b>Non-Padlockable</b>	
FB Tri-Pac	29B2721H01
LA Tri-Pac	1720101
NB Tri-Pac	1720101

Breaker Frame	Style Number
<b>Padlockable</b>	
FB Tri-Pac	765A754G01
LA Tri-Pac	373B591G02

**Handle Extension**

Breaker Frame	Style Number
LA Tri-Pac	372B399G01
NB Tri-Pac	1251C65G01
PB Tri-Pac <sup>②</sup>	315C882G01

③ Not UL listed.  
④ Not available on drawout breakers.  
⑤ Not available for FCL or LCL breakers.  
⑥ Not available on motor operated breakers.

**Kirk Key Interlock<sup>⑤</sup>**



Availability: FB, LA, NB, PB Tri-Pacs.

Permits interlocking of two breakers or one breaker with other devices. Before breaker can be closed, key must be inserted and turned in breaker interlock. Breaker must be opened before key can be removed. It can then be inserted in interlock or other devices to permit their closure. Requests and orders should completely outline interlocking scheme, ultimate user and his address.

**Mechanical Interlocks<sup>②</sup>**



For mechanically interlocking a pair of breakers so that only one may be closed at one time, but both may be open simultaneously.

**Walking Beam Type<sup>②③④</sup>**

Mounts on panel (not included) at rear of breaker. Standard breaker spacing: LA Tri-Pac, NB Tri-Pac: 8-1/2 inches center to center; FB Tri-Pac: 4-3/8 inches center to center; PB Tri-Pac: 12-1/4 inches center to center. Order as a set of two special factory drilled breakers and one walking beam interlock. Specify breaker type, panel thickness and center-to-center dimension of breakers.

**Sliding Bar Type (Field Mountable)<sup>②⑤</sup>**



Mounts on panel (not included) fitting over front of breakers. Standard breaker spacing: LA Tri-Pac, NB Tri-Pac: 8-1/2 inches; FB Tri-Pac: 4-3/16 inches center to center.

**Motor Operators<sup>①</sup>**

Motor operators provide complete remote control by means of a push-button or similar pilot device<sup>②</sup>. Positive switching action is accomplished by use of an operating arm engaging the breaker handle. The unit is energized momentarily to actuate the lever arm moving it to either the "ON" or "OFF" position. The control is broken by an internal cutoff switch. Means for emergency manual operation is provided.

Motor operators are available with motors rated 120 volts Ac, 208 volts Ac, and 240 volts Ac.

The 480 volt operators utilize a 120 volt Ac motor in conjunction with a 480/240 to 120 volt dual voltage transformer. (On LA and larger operators, the transformer is supplied for separate mounting by the customer.)

**Note:** The motor operator is intended only for infrequent operation in line with Underwriters Laboratories, Inc. endurance standard for AB molded case breakers.



For FB Tri-Pac/FCL Breakers



For LA Tri-Pac Breakers



For NB Tri-Pac Breakers



For PB Tri-Pac Breakers

**Motor Operator Selection**

Type Breaker	Ac Voltage				Dc Voltage	
	120	208	240	480	125	24
	Style Number					
FCL	656D148G15	656D148G10	656D148G17	656D148G17	-	-
LCL	5664D54G83	5664D54G86	5664D54G84	5664D54G85	5664D54G77	5664D54G88
FB Tri-Pac	656D148G11	656D148G04	656D148G13	656D148G13	-	-
LA Tri-Pac	2607D97G22	2607D97G25	2607D97G23	2607D97G24	2607D97G44	-
NB Tri-Pac	5664D54G65	5664D54G68	5664D54G66	5664D54G67	5664D54G82	-
PB Tri-Pac	5661D52G01	5661D52G04	5661D52G02	5661D52G03	5661D52G17	-

Instruction Leaflet/FRED Number 13148 FCL; 15334 LCL; 13148 FB Tri-Pac; 15533 LA Tri-Pac; 15534 NB Tri-Pac; 14444 PB Tri-Pac

**Back Mounting Plates**

Type Breaker	120, 208, 240, 480 Volts Ac
	Style Number
FB-P/FCL	1282C01G01

**Motor Data**

Type Breaker	Motor	Hp.	Inrush Current, Ampere (Peak)			Continuous Current (RMS)			Operating Time, Open or Close
			120 Volts	208 Volts	240 Volts	120 Volts	208 Volts	240 Volts	
FB Tri-Pac	Split Phase	1/75	10	4	5	2.3	1.17	1.65	1.5 Seconds
LA Tri-Pac	Reversing	-	8	5	4	-	-	-	12 Cycles
NB Tri-Pac	Reversing	-	11	7	6	-	-	-	12 Cycles
PB Tri-Pac	Reversing	-	20	12	11	-	-	-	10 Cycles

① Ac voltage rated operators are UL listed as recognized components.

② The pilot device must be maintained contact type for FB Tri-Pac, FCL, mechanisms; momentary contact type for all others.

**Drawout Frame**



These drawout frames are for use with standard 3-pole Cutler-Hammer molded case circuit breakers. They consist of two separate parts; stationary mounting frame and movable carrier frame. Slide rails are drawer-type, and a screw mechanism is used to engage or withdraw the movable carrier frame.

The drawout frames have three positions: connected, test and disconnected. The frames do not include a safety tripping interlock, or secondary contacts. These are optional items and may be ordered at additional cost.

Breakers mounted in the drawout frames can be equipped with standard breaker accessories including shunt trip, undervoltage release, auxiliary switch, alarm switch and motor operator.

**Secondary Contacts**

These are used to disconnect auxiliary circuits when attachments such as shunt trip or motor operator are used. Available in multiples of four contacts with a maximum of 32 contacts for the NB Tri-Pac. They must be factory mounted. Order by description as similar to stationary or moving frame and specify number of contacts required.

**Selection Data**

Breaker Type <sup>①</sup>	Stationary Mounting Frame Style Number	Movable Carrier Frame Style Number
NB Tri-Pac	2603D85G09	2608D34G12

**Standard Installation**

Order one stationary mounting frame and one movable carrier frame.

Order breakers without terminals or rear connectors.

Order any attachments desired (shunt trip, undervoltage release, etc.)

Order secondary contacts as required:

- A shunt trip, undervoltage release or alarm switch requires two contacts;
- A 1A-1B auxiliary switch requires three contacts;
- A motor operator requires a maximum of four contacts;
- Others as required.

**Racking Crank**

A special crank to engage or withdraw the moving portion of the drawout. A standard 1/2 inch hex socket with extension can be used for this purpose.

Style Number	765A767G01
--------------	------------

**Cell Switches Mounted on Drawout Frames, All Ratings**

Up to four switches can be provided. Order by description.

Each switch provides NO and NC contact that transfers before reaching the test position when being withdrawn, and after the test position when being racked in.

<sup>①</sup> Drawout for FB and LA Tri-Pac, FCL, and LCL Circuit Breakers are not available. PB Tri-Pac movable is available factory-installed only. Order by description.



**General Information**

Engine generator molded case circuit breakers are designed specifically for application on diesel engine powered standby generators where high interrupting circuit breakers are not required. The JG through NG breakers are equipped with a special trip unit, that includes standard thermal (overload) protection and special low magnetic pickup range (FG includes a fixed thermal/magnetic pickup). The standard thermal trip unit provides overload protection for conductors per the National Electric Code. The low magnetic pickup range is approximately two to five times the continuous rating and provides closer low level short circuit protection when applied on generators that have very low short circuit capacity. This combination allows the user to customize the breaker to the generator output.

**Catalog Numbering System**

This information is presented only as an aid to understanding catalog numbers. It is not to be used to build catalog numbers for circuit breakers.

FG breakers include both line and load side terminals.

JG, KG, LG, and NG breakers with "W" catalog number suffix do not include any terminals.

JG, KG, LG, and NG breakers without "W" catalog number suffix include both line and load terminals.

Contact Cutler-Hammer for additional ratings and internal/external accessories.

**Interrupting Capacity Ratings**

**UL 489 Interrupting Capacity Ratings**

Interrupting Capacity (Symmetrical Amperes)	
Volts Ac (50/60 Hz)	
240	18,000
480	14,000
600	10,000

**IEC 947-2 Interrupting Capacity Ratings**

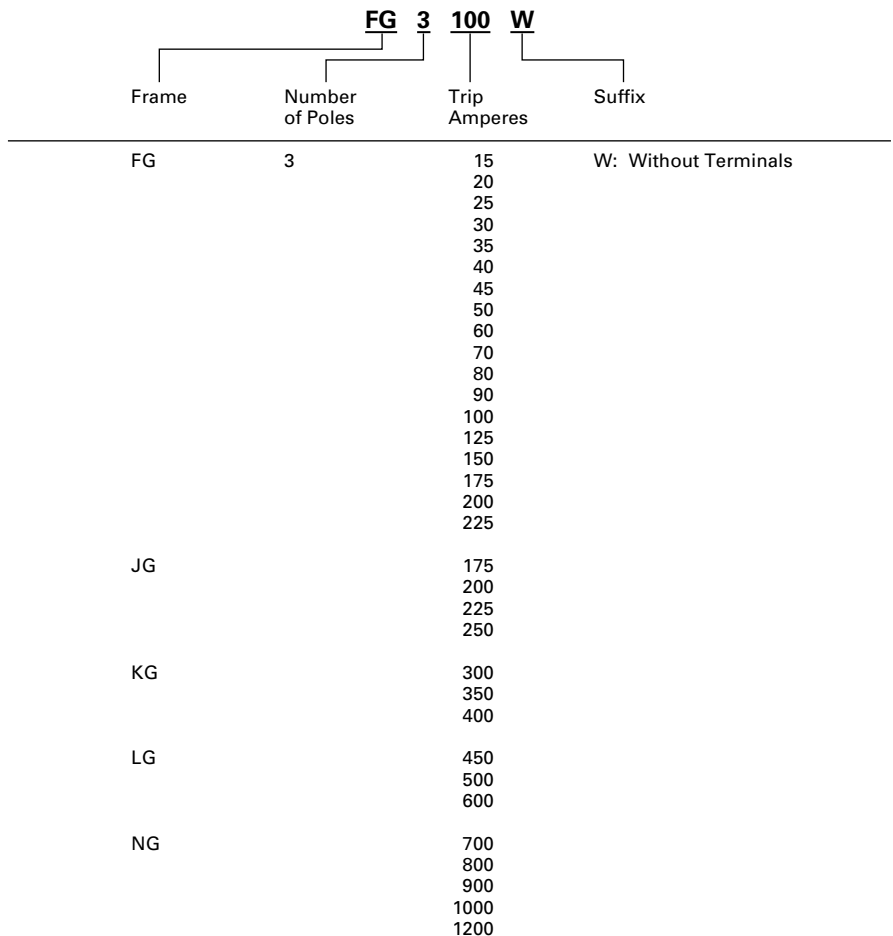
Interrupting Capacity (Symmetrical Amperes)	
Volts Ac (50/60 Hz)	
220, 240	18,000/9,000
380, 415	14,000/7,000
660, 690	10,000/5,000

**Standards**

Engine generator molded case circuit breakers are designed to conform with the following standards:

- Underwriters Laboratories, Inc., Standard UL 489, Molded Case Circuit Breakers and Circuit Breaker Enclosures File E7819
- Canadian Standards Association Standard C22.2 No. 5, Service Entrance and Branch Circuit Breakers
- International Electrotechnical Commission Recommendations IEC 947-2, Circuit Breakers

Conformance with these standards satisfies most local and international codes, assuming user acceptability and simplified application.



## Circuit Breakers

The following table lists FG through NG engine generator breakers with the maximum generator kVA and kW rating. Engine generator breakers

are applied at 115% of the generator full load current rating. The maximum kW rating is based on three-phase generators at 80% power factor.

Magnetic Pickup Range	Maximum Generator Rating 60 Hz						Engine Generator Breaker Catalog Number
	240 Vac		480 Vac		600 Vac		
	kVA <sup>①</sup>	kW <sup>②</sup>	kVA <sup>①</sup>	kW <sup>②</sup>	kVA <sup>①</sup>	kW <sup>②</sup>	
Fixed	5	4	11	9	14	11	FG3015 FG3020 FG3025 FG3030
Fixed	7	6	14	12	18	14	
Fixed	9	7	18	14	23	18	
Fixed	11	9	22	17	27	22	
Fixed	13	10	25	20	32	25	FG3035 FG3040 FG3045 FG3050
Fixed	14	12	29	23	36	29	
Fixed	16	13	32	26	41	32	
Fixed	18	14	36	29	45	36	
Fixed	22	17	43	35	54	43	FG3060 FG3070 FG3080 FG3090
Fixed	25	20	51	40	63	51	
Fixed	29	23	58	46	72	58	
Fixed	32	26	65	52	81	65	
Fixed	36	29	72	58	90	72	FG3100 FG3110 FG3125 FG3150 FG3175 FG3200 FG3225
Fixed	40	32	79	64	99	79	
Fixed	45	36	90	72	113	90	
Fixed	54	43	108	87	135	108	
Fixed	63	51	126	101	158	126	
Fixed	72	58	144	116	181	144	
Fixed	81	65	162	130	203	162	
350-700	63	51	126	101	158	126	
350-700	72	58	144	116	181	144	
350-700	81	65	162	130	203	162	JG3225W <sup>③</sup> JG3225 JG3250W <sup>③</sup> JG3250
350-700	90	72	181	144	226	181	
500-1000	108	87	217	173	271	217	KG3300W <sup>③</sup> KG3300 KG3350W <sup>③</sup> KG3350
500-1000	126	101	253	202	316	253	
1000-2000	144	116	289	231	361	289	KG3400W <sup>③</sup> KG3400 LG3450 LG3450W <sup>③</sup>
600-2500	162	130	325	260	406	325	
600-2500	181	144	361	289	451	361	LG3500 LG3500W <sup>③</sup> LG3600 LG3600W <sup>③</sup>
600-2500	217	173	433	347	542	433	
800-2500	253	202	505	404	632	505	NG3700 NG3700W <sup>③</sup> NG3800 NG3800W <sup>③</sup>
800-2500	289	231	578	462	722	578	
1600-5000	325	260	650	520	812	650	NG3900 NG3900W <sup>③</sup> NG31000 NG31000W <sup>③</sup>
1600-5000	361	289	722	578	903	722	
1600-5000	433	347	867	693	1083	867	NG31200 NG31200W <sup>③</sup>

① Breaker continuous current is based on 115% of the generator full load ampere rating.

② Based on three-phase generators at 80% power factor.

③ Without terminals.



Enclosures

Enclosure Description

Type 1 General Purpose

- Surface or Flush Mounting
- 15-1200 Ampere Range
- 600 Volts Ac, 500 Volts Dc

Type 1 enclosed breakers are designed for use in commercial buildings, apartment buildings and other areas where a general purpose enclosure is applicable. The breaker is front operable and is capable of being padlocked in either the On or Off position. Ratings through 1200 amperes are listed with Underwriters Laboratories, Inc. as approved for service entrance application. Both surface and flush mounted enclosures are available.

Type 3R Rainproof Surface Mounting

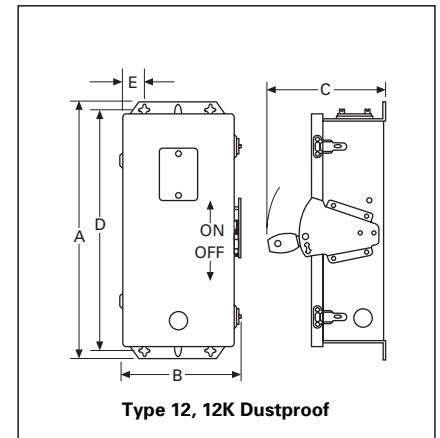
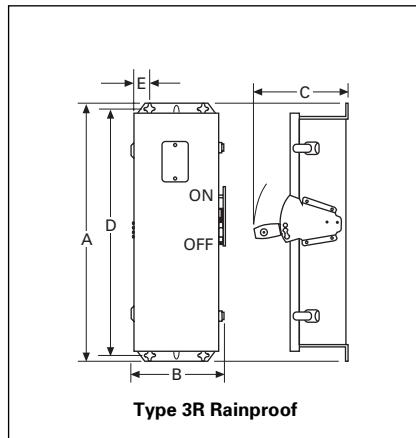
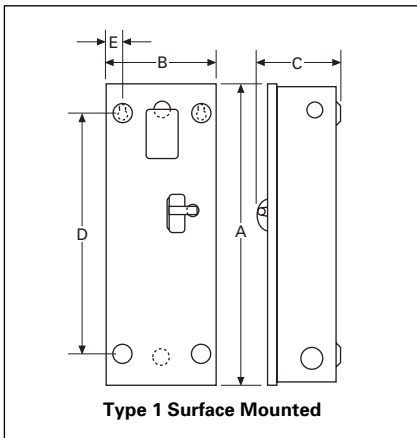
- Interchangeable Hubs (Through 400 Amperes)
- 15-1200 Ampere Range
- 600 Volts Ac, 500 Volts Dc

This general purpose outdoor service center employs a circuit breaker inside a weatherproof sheet steel breaker enclosure to serve as a main disconnect and protective device for feeder circuits. Ratings through 1200 amperes are listed by Underwriters Laboratories, Inc. as suitable for service entrance application.

Type 12 Dustproof Surface Mounting

- No Knockouts or Other Openings
- 15-1200 Ampere Range
- 600 Volts Ac, 500 Volts Dc

The Type 12 enclosure is designed in line with specifications for special industry application where unusually severe conditions involving oil, coolant, dust and other foreign materials exist in the operating atmosphere. The handle padlocks in the Off position and the cover is interlocked with the handle mechanism to prevent opening the cover with the circuit breaker in the On position. Ratings through 1200 amperes are listed by Underwriters Laboratories, Inc. as suitable for service entrance application.



Enclosure Selection Data

Breaker Frame (Amperes)	Enclosure Type Class	Dimensions										App. Wt. Lbs.	Conduit Sizes, Inches	Catalog Number
		A		B		C		D		E				
		Inches	mm	Inches	mm	Inches	mm	Inches	mm	Inches	mm			
FG 15-225	Type 1	23.25	591	8.41	214	6.28	160	18.75	476	1.20	31	15	.25, .50, .75, 1, 1.25, 1.50, 2, 2.50	SFDN225 RFDN225 JFDN225
	Type 3R	25.66	652	8.84	225	9.31	237	24.28	617	1.70	43	19		
	Type 12	25.66	652	8.84	226	9.31	238	24.28	618	1.70	43	18		
JG 175-250	Type 1	34.70	881	10.92	227	7.20	183	30.00	762	1.88	48	31	.25, .50, 2, 2.50, 3	SJDN250 RJDN250 JJDN250
	Type 3R	37.50	891	11.56	294	10.22	260	35.77	909	1.94	49	40		
	Type 12	37.53	953	11.56	294	10.22	260	35.77	909	1.94	49	37		
KG 300-400	Type 1	38.81	986	11.06	281	10.94	278	34.00	869	2.28	58	53	.25, .50, .75, 1.50, 2, 2.50, 3, 3.50	SKDN400 RKDN400 JKDN400
	Type 3R	41.69	997	11.75	298	14.06	357	39.90	1014	1.97	50	60		
	Type 12	41.69	997	11.75	298	14.06	357	39.90	1015	1.97	50	53		
LG 450-600	Type 1	45.88	1165	14.31	364	12.38	314	46.56	1183	1.91	48	81	.25, .50, .75, 3, 3.50, 4	SJDN600 RLDN600 JLDN600
	Type 3R	48.31	1227	14.91	379	15.50	394	46.56	1183	1.92	49	84		
	Type 12	48.31	1227	14.91	379	15.50	394	46.56	1183	1.92	49	81		
NG 700-1200	Type 1	61.22	1555	21.44	545	15.41	391	61.84	1571	1.97	50	178		SNDN1200 RNDN1200 JNDN1200
	Type 3R	63.59	1615	22.00	559	17.63	448	61.84	1571	1.97	50	175		
	Type 12	63.59	1615	22.00	559	17.63	448	61.84	1571	1.97	50	170		



## Accessories

### Standard Terminals

Breaker Frame	Maximum Ampere Rating	AWG Wire Range	Metric Wire Range mm <sup>2</sup>	Catalog Number
FG	100	#14-1/0	2.5 -50	<b>3T100FB</b> ①
FG	150	#4-4/0	25 -95	<b>3TA225FD</b> ①
JG	250	#4-350 kcmil	25 -185	<b>TA250KB</b>
KG	350	250-500 kcmil	120 -240	<b>TA350K</b>
KG	400	3/0-250 kcmil (2)	95 -120	<b>3TA400K</b> ①
LG	600	250-500 kcmil (2)	120 -240	<b>TA600LA</b>
NG	700	1-500 kcmil (2)	50 -300	<b>TA700NB1</b>
NG	1000	3/0-400 kcmil (3)	95 -185	<b>TA1000NB1</b>
NG	1200	4/0-500 kcmil (4)	120 -300	<b>TA1200NB1</b>

### Neutral Kits, Insulated and Groundable

Maximum Enclosure Rating (Amperes)	Main Lug Number Size Cu/Al	Ground Lug Size Cu/Al	Catalog Number
100	(1) 14-1/0	(1) 14-1/0	<b>INK100</b>
250	(1) 6-350 kcmil	(1) 4-300 kcmil	<b>INK250</b>
400	(1) 4-750 kcmil or (2) 1/0-250 kcmil	(1) 4-300 kcmil	<b>INK400</b>
600	(2) 250-500 kcmil	(1) 4-300 kcmil	<b>INK600</b>
1200	(3) 1/0 to 750 kcmil or (4) 1/0 to 750 kcmil	(1) #6-250 kcmil	<b>INK1200</b>

### Internal Accessories

Breaker Frame	Auxiliary Switch		Shunt Trip	
	1A-1B Catalog Number	2A-2B Catalog Number	Rating	Catalog Number
FG	<b>A1X1PK</b>	<b>A2X1PK</b>	12-24 Vdc	<b>SNT1LP03K</b>
JG	<b>A1X2PK</b>	<b>A2X2PK</b>	12-24 Vdc	<b>SNT2P04K</b>
KG	<b>A1X3PK</b>	<b>A2X3PK</b>	12-24 Vdc	<b>SNT3P05K</b>
LG	<b>A1X4PK</b>	<b>A2X4PK</b>	12-24 Vdc	<b>SNT4LP03K</b>
NG	<b>A1X5RPK</b>	<b>A2X5RPK</b>	12-24 Vdc	<b>SNT5LP03K</b>

① Package of 3 terminals.

### General Information

UL listed dc molded case circuit breakers for use in general dc circuits and ungrounded battery supply circuits of UPS systems providing continuous, reliable ac power to computer controlled applications such as financial transactions and telecommunications.

For standard interrupting capacity 250 dc molded case circuit breakers. Refer to Index, Page 1, for appropriate Series C frame size.

The Series C dc breakers listed below use the same internal and external accessories as the standard Series C breaker. NBDC and PBDC use same internal and external accessories as standard NB and PB breakers.

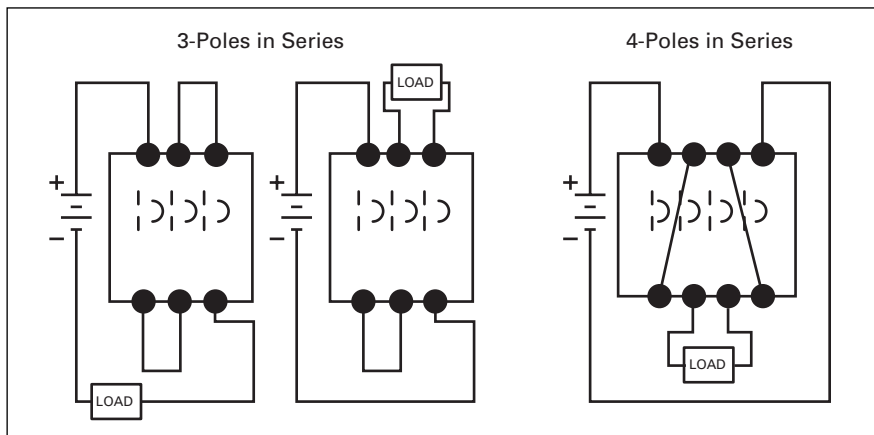
Molded case circuit breakers for transportation application requiring 750 Vdc are available 15 through 2500 ampere 20 kA interrupting capacity at 750 Vdc. Breakers require 4 poles in series for 750 Vdc application. However, 750V is not a UL rating. For 750 Vdc application refer to Cutler-Hammer for ordering information. Dimensions are the same as the standard thermal-magnetic equivalent.

### Interrupting Capacity Ratings

#### UL489 Interrupting Capacity Ratings

Circuit Breaker Type	Interrupting Capacity (Symmetrical kA)			
	Volts DC <sup>①</sup>			
	125 <sup>②</sup>	250 <sup>③</sup>	600 <sup>④</sup>	750 <sup>⑤</sup>
HFDDC	42	42	35	20
HJDDC	42	42	35	20
HKDDC	42	42	35	20
HLDDC	42	42	35	20
HMDLDC	42	42	35	20
NBDC	50	50	50	20
PBDC	75	75	75	20

#### Series Connection Diagrams for DC Application<sup>⑥</sup>



① Dc ratings apply to substantially non-inductive circuits. 8 millisecond time constant.  
 ② 1-pole in series.  
 ③ 2-poles in series.  
 ④ 3-poles in series.  
 ⑤ 4-poles in series. Not a UL listed voltage rating.  
 ⑥ Use rated cable per NEC Connect to terminals as per breaker nameplate.

**Type HFDDC DC Circuit Breakers**

Maximum Continuous Ampere Rating @ 40°C	Complete Circuit Breaker with Line and Load Terminals		
	1-Pole	2-Pole	3-Pole
	Catalog Number		
<b>1, 2, 3-Pole High Interrupting Capacity 35 kAIC @ 600 Vac</b>			
15	HFDDC1015L	HFDDC2015L	HFDDC3015L
20	HFDDC1020L	HFDDC2020L	HFDDC3020L
25	HFDDC1025L	HFDDC2025L	HFDDC3025L
30	HFDDC1030L	HFDDC2030L	HFDDC3030L
35	HFDDC1035L	HFDDC2035L	HFDDC3035L
40	HFDDC1040L	HFDDC2040L	HFDDC3040L
45	HFDDC1045L	HFDDC2045L	HFDDC3045L
50	HFDDC1050L	HFDDC2050L	HFDDC3050L
60	HFDDC1060L	HFDDC2060L	HFDDC3060L
70	HFDDC1070L	HFDDC2070L	HFDDC3070L
80	HFDDC1080L	HFDDC2080L	HFDDC3080L
90	HFDDC1090L	HFDDC2090L	HFDDC3090L
100	HFDDC1100L	HFDDC2100L	HFDDC3100L
110	HFDDC1110L	HFDDC2110L	HFDDC3110L
125	HFDDC1125L	HFDDC2125L	HFDDC3125L
150	HFDDC1150L	HFDDC2150L	HFDDC3150L
175	—	—	HFDDC3175L
200	—	—	HFDDC3200L
225	—	—	HFDDC3225L

Instruction Leaflet/FRED Number 29C700

**Type HJDDC DC Circuit Breakers**

Maximum Continuous Ampere Rating @ 40°C	Circuit Breaker Frame Only <sup>①</sup>	Thermal Magnetic Trip Unit	Standard Terminals
	Catalog Number		
<b>3-Pole High Interrupting Capacity 35 kAIC @ 600 Vac</b>			
70	HJDDC3250F	JT3070T	TA250KB
90		JT3090T	TA250KB
100		JT3100T	TA250KB
125		JT3125T	TA250KB
150		JT3150T	TA250KB
175		JT3175T	TA250KB
200	JT3200T	TA250KB	
225	JT3225T	TA250KB	
250	JT3250T	TA250KB	
100	HKDDC3400F	KT3100T	TA300K
125		KT3125T	TA300K
150		KT3150T	TA300K
175		KT3175T	TA300K
200		KT3200T	TA300K
225		KT3225T	TA300K

Instruction Leaflet/FRED Number 29C701

**Type HKDDC DC Circuit Breakers**

Maximum Continuous Ampere Rating @ 40°C	Circuit Breaker Frame Only <sup>①</sup>	Thermal Magnetic Trip Unit	Standard Terminals
	Catalog Number		
<b>3-Pole High Interrupting Capacity 35 kAIC @ 600 Vac</b>			
250	HKDDC3400F	KT3250T	TA350K
300		KT3300T	TA350K
350		KT3350T	TA350K
400		KT3400T	3TA400K
300	HLDDC3600F	LT3300T	TA602LD
350		LT3350T	TA602LD
400		LT3400T	TA602LD
450		LT3450T	TA602LD
500		LT3500T	TA602LD
600		LT3600T	3TA603LDK

Instruction Leaflet/FRED Number 29C702

**Type HMDL DC Circuit Breakers**

Maximum Continuous Ampere Rating @ 40°C	Circuit Breaker Frame Only <sup>①</sup>	Thermal Magnetic Trip Unit
	Catalog Number	
<b>3-Pole High Interrupting Capacity 35 kAIC @ 600 Vac</b>		
300	HMDL3800F	MT3300T
350		MT3350T
400		MT3400T
450		MT3450T
500		MT3500T
600		MT3600T
700		MT3700T
800		MT3800T

**Type NBDC DC Circuit Breakers**

Maximum Continuous Ampere Rating @ 40°C	Complete Circuit Breaker Factory Assembled Without Terminals <sup>①</sup>	Includes Magnetic Only Trip Unit Calibrated @ 135%	Standard Terminals
	Catalog Number		
<b>3-Pole High Interrupting Capacity 50 kAIC @ 600 Vac</b>			
700	NBDC3700MW	Included	TA1000NB1
800	NBDC3800MW	Included	TA1000NB1
900	NBDC3900MW	Included	TA1000NB1
1000	NBDC31000MW	Included	TA1000NB1
1200	NBDC31200MW	Included	TA1200NB1

**Type PBDC DC Circuit Breakers**

Maximum Continuous Ampere Rating @ 40°C	Complete Circuit Breaker Factory Assembled Without Terminals <sup>①</sup>	Includes Magnetic Only Trip Unit Calibrated @ 135%	Standard <sup>②</sup> Terminals
	Catalog Number		
<b>3-Pole High Interrupting Capacity 75 kAIC @ 600 Vac</b>			
1600	PBDC31600W	Included	BA2000PB
2000	PBDC32000W	Included	BA2000PB
2500	PBDC32500W	Included	BA2500PB

Instruction Leaflet/FRED Number 15560

<sup>①</sup> Complete circuit breaker includes frame, trip unit, and terminals.

## Type GFM

## Type GFM



Type GFM Ground Fault Protection Device

## Description

Cutler-Hammer Type GFM devices are Class 1 Ground Fault Sensing and Relaying devices designed to comply with the requirements outlined in Underwriters Laboratories, Inc. Standards for Safety entitled: Ground Fault Sensing and Relaying Equipment, UL1053.

Type GFM devices, when properly installed on a grounded electrical distribution system, will sense phase to ground fault currents and cause a disconnect to open and clear the fault instantaneously at predetermined current values. These devices have a maximum voltage rating of 600V, 50/60 Hertz and may be applied in accordance with Article 230-95 of the National Electrical Code.

Type GFM Ground Fault Protective Devices are self-contained combination sensing and relaying devices designed primarily for application on motor circuits and fixed loads where low-level Ground Fault Equipment Protection is required.

GFM devices are available in two basic types with each type having two physical sizes. The two basic types differ in the type of output circuit provided. The first type,

designated either GFM2 or GFM4, employs an internal relay having S.P.D.T. contacts that will operate a remote shunt trip device where control power is available.

The second type, designated either GFM2A or GFM4A, is completely solid state with an output SCR circuit designed to operate a remote, low-energy, flux transfer shunt trip mounted in a molded case breaker. No supplementary control power for the shunt trip is required.

## Size Selection

The proper size selection is a function of the conductor size of the equipment being protected. Types GFM2/GFM2A have approximately a two-inch window opening. Types GFM4/GFM4A have approximately a four-inch window opening.

## Rating Selection

The basic Ground Fault Current Pickup rating of either type GFM device is 5 amperes, i.e., each unit when properly installed will initiate a trip signal to a remote shunt trip with the presence of a 5 ampere Ground Fault Current within established tolerance limits. Separate optional rating plugs are available to alter the pickup rating to a maximum of 100 amperes.

## Control Power

Internal control power is not required to operate Type GFM Ground Fault Protective devices. All internal control power required is derived from the Ground Fault current through the internal current sensor.

External control power is required to operate the remote shunt trips used in conjunction with Type GFM2 and GFM4 devices.

External control power is not required with Type GFM2A and GFM4A devices to operate the special remote, low-energy, flux transfer shunt trips used in molded case circuit breakers.

## Trip Indication/Reset

A combination visual indicator and reset button is provided on the top of Type GFM2 and GFM4 devices to indicate the initiation of a tripping action to clear a Ground Fault. The operation of the internal relay will cause the white button to visibly raise.

To reset the device, the Indicator/Reset button must be depressed. Failure to reset the device will not allow the associated disconnect device to be reclosed.

No Indicator/Reset button is provided on Types GFM2A or GFM4A since an internal SCR is used in the output circuit. These devices reset automatically when the disconnect opens to clear the Ground Fault.

## Application

Type GFM devices may be installed in Zero Sequence or Ground Return Sensing methods, Proper Ground Fault Protection schemes are dependent upon proper system installation and grounding methods.

## Mounting

Each Type GFM device contains a Ground Fault Sensor which is a special current transformer. These are insulated devices which can be mounted directly to enclosure surfaces. Four tubular rivets secure the sensor housing. These four (0.200 dia.) mounting holes can be used to mount the GFM device in either a vertical or horizontal mounting position.

Optional mounting brackets as shown on the next page are available. These brackets may be mounted on either the bottom or side depending upon the installation requirements.

Regardless of the mounting method used, the top of the device with the visual indicator/ reset button and nameplate instructions should be maintained in a visual position after installation. GFM devices should be installed so that all conductors passing through the conductor window are physically centered.

## Type GFM

### Ordering Information

Order by catalog number or style number:

- 1 Basic GFM Unit
- 1 Rating plug if required
- 1 Mounting bracket if required
- 1 Circuit breaker with standard shunt trip factory installed (as required), or optionally when possible, a circuit breaker and field mountable shunt trip as separate items.

### Rating Plug Installation

To install an optional rating plug to obtain other than the minimum 5 ampere rating, remove the terminal cover held in position by a single screw and retention groove. With the cover removed, insert the rating plug in the position indicated. The rating plug is held captive in position with the addition of the terminal cover after the wiring is completed. With the terminal cover in position, the ampere rating of the rating plug remains visible.

### Output Circuitry

Contact ratings for Type GFM2 and GFM4 are 10 amperes continuous, 240 volts Ac maximum. Types GFM2A and GFM4A are intended to be used only with remote flux transfer shunt trips.

### Selection Data

#### GFM Basic Units

Output Type	Approximate Window Opening, Inches	Basic Ampere Rating (Plug Omitted)	Operating Time @ 10 x Ampere Rating	Catalog Number
-------------	------------------------------------	------------------------------------	-------------------------------------	----------------

#### Unit for Use with Standard Shunt Trip

Relay	2	5	0.03 Seconds	<b>GFM2</b>
Relay	4	5	0.03 Seconds	<b>GFM4</b>

#### Unit for Use with Flux Transfer Shunt Trips

SCR	2	5	0.03 Seconds	<b>GFM2A</b>
SCR	4	5	0.03 Seconds	<b>GFM4A</b>

Instruction Leaflet/FRED Number 14945

#### GFM Optional Rating Plugs

Ampere Rating	Catalog Number
10	<b>GFMP10</b>
25	<b>GFMP25</b>
50	<b>GFMP50</b>
50	<b>GFMP75</b>
100	<b>GFMP100</b>

### Optional Mounting Brackets

Includes two (2) brackets and mounting hardware



GFM Type	Bracket Kit Style Number
GFM2/2A	<b>750B295G01</b>
GFM4/4A	<b>750B295G02</b>

Type GFR

Type GFR

Description

The GFR ground fault relays, current sensors, test panels and accessory devices are UL listed by Underwriters Laboratories, Inc. in accordance with their standard for Ground Fault Sensing and Relaying Equipment, UL 1053, under File E48381.①

A Type GFR ground fault protection system, when properly installed on a grounded electrical system, will sense phase-to-ground fault currents. When the level of fault current is in excess of the pre-selected current pickup and time delay settings, the GFR relay will initiate a trip action of a disconnect device, which will open the faulted circuit and clear the fault.

The GFR devices are UL Class I devices designed to protect electrical equipment against extensive damage from arcing ground faults.

A basic Type GFR ground fault protection system consists of a ground fault relay②, a ground fault current sensor and a disconnect device equipped with a shunt trip device. This disconnect device can be a molded case circuit breaker, a power circuit breaker, a bolted pressure switch or other fusible disconnect device, suitable for application with UL Class I Ground Fault Sensing and Relaying equipment.

Additional optional equipment can be added to the protection system to meet the requirements of the specifying engineer, including:

- Ground Fault Test Panel
- Ground Fault Warning Indicator Relay
- Ground Fault Indicating Ammeter

GFR relays are available with zone selective interlocking circuitry to interlock several relays within the same system. This allows the relay which detects a ground fault to

① Suitable for either surface or semi-flush mounting.  
② These devices are also listed with CSA under their file number 43357.



GFR Relay

instantly clear the fault by tripping the disconnect device. The relay simultaneously sends a signal to relay units "upstream" from the fault to time delay or to block their operation completely. Current sensors in various designs provide a range of "window" sizes to accommodate standard bus and cable arrangements.

Shunt trip attachments may be ordered for field mounting in Cutler-Hammer molded case circuit breakers, or may be ordered factory installed in the breaker.

Electrical Ratings

GFR Relay

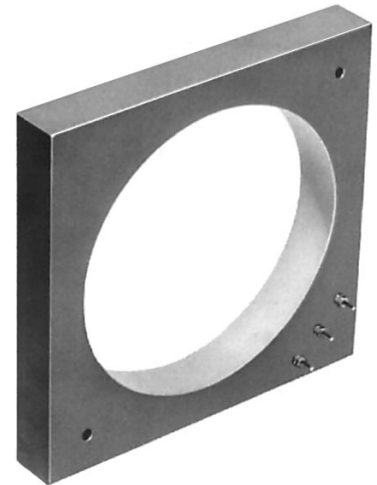
Ground Fault Detection Ranges:  
1 to 12, 5 to 60 or 100 to 1200 Amperes

Output contacts:

240 Volt, 50/60 Hz: 3.0 Amperes  
120 Volt, 50/60 Hz: 6.0 Amperes  
28 Volt Dc: 3.0 Amperes  
125 Volt Dc: .5 Amperes

Control power requirements:

120 Volt, 50/60 Hz: .125 Amperes, or  
125 Volt Dc (optional)



Typical Current Sensor

Sensor:

600 Volts, 50/60 Hz maximum system voltage



## Type GFR

### Ordering Information

Each installation requires:

1. One relay unit (select trip ampere as required)
2. One current sensor (select configuration required)
3. One circuit breaker or disconnect device with shunt trip, or a shunt trip attachment for mounting in existing breaker.
4. Test panel. (Optional)

### GFR Relay

GFR Relay Types	Catalog Numbers <sup>①</sup>		
	Ground Fault Pickup Amperes		
	1-12	5-60	100-200

#### For 120 Volt 50/60 Hz Control

Electrical Reset with Zone Interlocking	GRF12EI	GFR60EI	GFR1200EI
Electrical Reset without Zone Interlocking	GRF12E	GFR60E	GFR1200E
Mechanical Reset with Zone Interlocking	GRF12MI	GFR60MI	GFR1200MI
Mechanical Reset without Zone Interlocking	GRF12MI	GFR60MI	GFR1200MI

#### For 120 Volt Dc Control

Electrical Reset with Zone Interlocking	GRF12EID	GFR60EID	GFR1200EID
Electrical Reset without Zone Interlocking	GRF12ED	GFR60ED	GFR1200ED
Mechanical Reset with Zone Interlocking	GRF12MID	GFR60MID	GFR1200MID
Mechanical Reset without Zone Interlocking	GRF12MID	GFR60MID	GFR1200MID

### Current Sensor

Window Size	Style Number
-------------	--------------

#### Used with Relays Rated 1-12 Amperes

5.50 In. I.D.	1283C45G01
---------------	------------

#### Used with Relays Rated 5-60 Amperes

2.50 In. I.D.	179C768G01
5.50 In. I.D.	1256C13G01
8.25 In. I.D.	179C767G01
7.81 x 11.00 In. Rect. <sup>②</sup>	1257C88G04
3.31 x 24.94 In. Rect. <sup>②</sup>	1257C92G03

#### Used with Relays Rated 100-1200 Amperes

2.50 In. I.D.	179C768G02
5.50 In. I.D.	1256C13G02
8.25 In. I.D.	179C767G02
7.81 x 11.00 In. Rect. <sup>②</sup>	1257C88G03
9.94 x 16.94 In. Rect. <sup>②</sup>	1257C90G02
9.94 x 23.94 In. Rect. <sup>②</sup>	1257C91G02
15.94 x 19.94 In. Rect. <sup>②</sup>	1257C89G02
3.31 x 24.94 In. Rect. <sup>②</sup>	1257C92G04
6.75 x 29.64 In. Rect. <sup>②</sup>	1255C39G03

Instruction Leaflet/FRED Number 15321

- ① Suitable for either surface or semi-flush mounting.  
 ② One end removable for installation.  
 ③ When a mechanically reset relay is used with a test panel, both the relay and test panel must be reset following either a simulated ground fault test or actual ground fault.  
 ④ Not UL listed.

### Accessories

#### Test Panel (120 Volts Ac)<sup>③</sup>

Used to test the ground fault system, to give an indication the relay has tripped the breaker, and to reset the relay after tripping<sup>④</sup>. These functions may be separately mounted pilot devices.

#### Optional Test Panel

Control	Test	Catalog Number
120V 50/60 Hz	120V 50/60 Hz	GFRTP
125V Dc	120V 50/60 Hz	GFRTPD

#### Ground Fault Warning Indicator

This is an accessory item for use with GFR Relays with interlocking circuitry. At approximately 30-50% of the Relay pickup setting, the indicator switches separate 120 volt Ac control power to a lamp or relay, (not included) to give an indication of a ground fault. The indicator is rated 110/120 volts Ac 50/60 Hz for a maximum indicator load of .5 amperes.

Ground Fault Warning Indicator	Style Number
Manual Reset	1234C67G01
Self-Resetting	1234C67G02

#### Indicating Ammeter<sup>④</sup>

The optional indicating ammeter. It connects to the sensor terminals, through a momentary contact pushbutton, and will indicate (in amperes) any ground fault current flowing through the sensor. Kit includes the ammeter and pushbutton.

GFR System Used with	Kit Style Number
1-12 Ampere	752B820G01
5-60 Ampere	752B820G02
100-1200 Ampere	752B820G03

#### Shunt Trip Attachments

Use 120 volt Ac shunt trips.

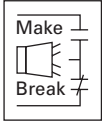
#### Face Plate

Recommended when these relays are semi-flush mounted, to close the door cutout opening.

Description	Style Number
Face Plate	752B410G01

Alarm Switch

Alarm Switch



General Information

For remote indication of automatic trip operation. Does not function with manual switching; however, it will operate when either a shunt trip or undervoltage release is operated.

A “make” contact closes and a “break” contact opens when the alarm/lockout switch operates. The switch automatically resets when the circuit breaker is reset.

Ordering Information

G-Frame

Alarm Switch (RH only)①

Electrical Rating			Contact Arrangement	Style Number②③④	Factory Suffix
Volts	Frequency	Amperes			

Alarm Switch

240	50/60 Hz	6	1 Make/ 1 Break	1288C75G03	B3
-----	----------	---	-----------------	------------	----

Alarm Switch Auxiliary Switches Combination

240	50/60 Hz	6	1 Make/ 1 Break and 1a/1b	1288C76G09	B13
-----	----------	---	---------------------------	------------	-----

Instruction Leaflet/FRED Number 15552

F-Frame

Electrical Rating Data⑤⑥

Maximum Voltage	Frequency	Maximum Current Amperes	Dielectric Withstand Voltage
-----------------	-----------	-------------------------	------------------------------

Multi-Pole Circuit Breakers

600	50/60 Hz	6	2500
125	Dc	0.50⑦	2200
250	Dc	0.25⑦	2200

Single-Pole Circuit Breakers

125/250	50/60 Hz	6⑦	2000
28	Dc	3⑦	2000
28	Dc	5⑧	2000

Alarm Switch①

Number of Contacts (Make and Break)	Mounting Location (Pole)	Factory Mounted				Field Mounted	
		Connection Type and Location				Field Installation Kits⑨	
		18-Inch Pigtail Leads			Terminal Block	Pigtail Leads	Terminal Block
		Same Side	Rear⑩	Opposite Side			
Suffix Number					Catalog Number		
1	Left⑪	B01	B02	B03	B04	A1L1LPK	A1L1LTK
	Right	B05	B06	B07	B08	A1L1RPK	A1L1RTK
2	Left⑪	B09	B10	–	B11	A2L1LPK	A2L1LTK
	Right	B12	B13	–	B14	A2L1RPK	A2L1RTK
1 (Make Only)	Single Pole	B15⑫	–	–	–	–	–

Instruction Leaflet/FRED Number 29C180

① F-Frame circuit breakers are factory sealed. Underwriters Laboratories, Inc., requires that internal accessories be installed at the factory. Internal accessories are UL listed for factory installation under E7819. Where local codes and standards permit and UL listing is not required, internal accessories can be field installed. Accessory installation should be done before the circuit breaker is mounted and connected.  
 ② Includes 24-inch external pigtail leads, 18 AWG (16-.010).  
 ③ A maximum of two internal accessories may be mounted in a three-pole circuit breaker.

④ Suitable for mounting in right pole only of 2- or 3-pole breaker.  
 ⑤ Endurance: 6000 electrical operations plus 4000 mechanical operations.  
 ⑥ Endurance: 6000 electrical operations plus 2000 mechanical operations.  
 ⑦ Non-inductive load.  
 ⑧ Inductive (L/R = 0.026).  
 ⑨ Not listed with Underwriters Laboratories, Inc., for field installation.  
 ⑩ Standard pigtail lead exit location.  
 ⑪ Standard mounting location.  
 ⑫ Factory installation only. Leads exit load end of circuit breaker.



## Alarm Switch

## J-Frame

Electrical Rating Data<sup>①②</sup>

Maximum Voltage	Frequency	Maximum Current Amperes	Dielectric Withstand Voltage
600	50/60 Hz	6	2500
125	Dc	0.50 <sup>③</sup>	
250	Dc	0.25 <sup>③</sup>	

## Alarm Switch

Number of Contacts (Make and Break)	Mounting Location (Pole)	Factory Mounted				Field Mounted	
		Connection Type and Location				Field Installation Kits <sup>④</sup>	
		18-Inch Pigtail Leads			Terminal Block	Pigtail Leads	Terminal Block
		Same Side	Rear <sup>⑤</sup>	Opposite Side			
Suffix Number				Catalog Number			
1	Left <sup>⑥</sup> Right	B01 B05	B02 B06	B03 B07	B04 B08	A1L2LPK A1L2RPK	A1L2LTK A1L2RTK <sup>⑦</sup>

Instruction Leaflet/FRED Number 29C181

## K-Frame

Electrical Rating Data<sup>②⑧</sup>

Maximum Voltage	Frequency	Maximum Current Amperes	Dielectric Withstand Voltage
600	50/60 Hz	6	2500
125	Dc	0.50 <sup>③</sup>	
250	Dc	0.25 <sup>③</sup>	

## Alarm Switch

Number of Sets of Contacts (1M and 1B)	Mounting Location (Pole)	Factory Mounted				Field Mounted	
		Connection Type and Location				Field Installation Kits <sup>④</sup>	
		18-Inch Pigtail Leads			Terminal Block	Pigtail Leads	Terminal Block
		Same Side	Rear <sup>⑤</sup>	Opposite Side			
Suffix Number				Catalog Number			
1	Left <sup>⑥</sup> Right	B01 B05	B02 B06	B03 B07	B04 B08	A1L3LPK A1L3RPK	A1L3LTK A1L3RTK
2	Left <sup>⑥</sup> Right	B09 B12	B10 B13	– –	B11 B14	A2L3LPK A2L3RPK	A2L3LTK A2L3RTK

Instruction Leaflet/FRED Number 29C182

## L- and M-Frames

Electrical Rating Data<sup>②⑧</sup>

Maximum Voltage	Frequency	Maximum Current Amperes	Dielectric Withstand Voltage
600	50/60 Hz	6	2500
125	Dc	0.50 <sup>③</sup>	
250	Dc	0.25 <sup>③</sup>	

## Alarm Switch

Number of Sets of Contacts (1M and 1B)	Mounting Location (Pole)	Factory Mounted				Field Mounted	
		Connection Type and Location				Field Installation Kits <sup>④</sup>	
		18-Inch Pigtail Leads			Terminal Block	Pigtail Leads	Terminal Block
		Same Side	Rear <sup>⑤</sup>	Opposite Side			
Suffix Number				Catalog Number			
1	Left <sup>⑥</sup> Right	B01 B05	B02 B06	B03 B07	B04 B08	A1L4LPK A1L4RPK	A1L4LTK A1L4RTK
2	Left <sup>⑥</sup> Right	B09 B12	B10 B13	– –	B11 B14	A2L4LPK A2L4RPK	A2L4LTK A2L4RTK

Instruction Leaflet/FRED Number 29C183

① Endurance: 6000 electrical operations plus 2000 mechanical operations.

② Pigtail wire size: No. 18 AWG (0.82 mm<sup>2</sup>).

③ Non-inductive load.

④ Listed with Underwriters Laboratories, Inc., for field installation on interchangeable trip unit breakers under E64983.

⑤ Standard mounting location.

⑥ Standard mounting location – leads exit rear of breaker.

⑦ Not for use on 4-pole circuit breakers.

⑧ Endurance – 5,000 electrical operations plus 1000 mechanical operations.

Alarm Switch

N-Frame

Electrical Rating Data<sup>①</sup>

Maximum Voltage	Frequency	Maximum Current Amperes	Dielectric Withstand Voltage
600 125 250	50/60 Hz Dc Dc	6 0.50 <sup>②</sup> 0.25 <sup>②</sup>	2500

Alarm Switch

Number of Sets of Contacts (Make and Break)	Mounting Location (Pole)	Factory Mounted				Field Mounted	
		Connection Type and Location				Field Installation Kits <sup>③</sup>	
		18-Inch Pigtail Leads			Terminal Block	Pigtail Leads	Terminal Block
		Same Side	Rear <sup>④</sup>	Opposite Side			
Suffix Number				Catalog Number			
1	Left Right <sup>④</sup>	B01 B05	B02 B06	B03 B07	B04 B08	A1L5LPK A1L5RPK	A1L5LTK A1L5RTK
2	Left Right <sup>④</sup>	B09 B12	B10 B13	– –	B11 B14	A2L5LPK A2L5RPK	A2L5LTK A2L5RTK

Instruction Leaflet/FRED Number 29C184

R-Frame

Electrical Rating Data<sup>⑤⑥</sup>

Maximum Voltage	Frequency	Maximum Current Amperes
600 125 250	50/60 Hz Dc Dc	6 0.50 <sup>②</sup> 0.25 <sup>②</sup>

Alarm Switch (RH only)

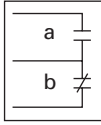
Number of Contacts (Make and Break)	Factory Mounted	Field Mounted
	Connection Type and Location	Field Installation Kits <sup>③</sup>
	18-Inch Pigtail Leads	Pigtail Leads
	Suffix Number <sup>⑦</sup>	Catalog Number <sup>⑦</sup>
1	B05	A1L6RPK
2	B12	A2L6RPK

Instruction Leaflet/FRED Number 29C185

- ① Endurance – 3000 electrical operations plus 1000 mechanical operations.
- ② Non-inductive load.
- ③ Listed with Underwriters Laboratories, Inc. for field installation under E64983.
- ④ Standard mounting location – leads exit rear of breaker.
- ⑤ Endurance: 500 electrical operations plus 2500 mechanical operations.
- ⑥ Pigtail wire size: No. 18 AWG (0.82 mm<sup>2</sup>). Leads are red, black and blue.
- ⑦ A maximum of three ASL plug-in modules may be installed in a circuit breaker.

## Auxiliary Switch

### Auxiliary Switch



### General Information

The auxiliary switch provides circuit breaker contact status information by monitoring the position of the molded cross bar which contains the moving contact arms. The auxiliary switch is used for remote indication and interlock system verification,

and consists of one or two SPDT switches housed in a plug-in module. Each SPDT switch has one "a" and one "b" contact. When the circuit breaker contacts are open, the "a" contact is open and the "b" contact is closed.

## Ordering Information

### G-Frame

#### Auxiliary (RH only)

Electrical Ratings			Contact Arrangement	Style Number <sup>①②③</sup>	Factory Suffix
Volts	Frequency	Amperes			
240	50/60 Hz	6	1a/1b	1288C74G03	A3
240	50/60 Hz	6	2a/2b	1288C73G03	A6

Instruction Leaflet/FRED Number 15551

### F-Frame

#### Electrical Rating Data<sup>④⑤</sup>

Maximum Voltage	Frequency	Maximum Current Amperes	Dielectric Withstand Voltage
125 <sup>⑥</sup>	50/60 Hz	1	2500
600	50/60 Hz	6	2500
125	Dc	0.50 <sup>⑦</sup>	2200
250	Dc	0.25 <sup>⑦</sup>	2200

#### Auxiliary Switch

Number of Contacts a and b	Mounting Location (Pole)	Factory Mounted				Field Mounted			
		Connection Type and Location						Field Installation Kits <sup>⑧</sup>	
		18-Inch Pigtail Leads				Terminal Block	Pigtail Leads	Terminal Block	
		Same Side	Rear <sup>⑨</sup>	Opposite Side	Same Side				
Suffix Number						Catalog Number			
1	Left <sup>⑩</sup>	A01	A02	A03	A04	A1X1PK	A1X1LTK		
	Right or Neutral	A15 <sup>⑩</sup>	A16 <sup>⑩</sup>	A17 <sup>⑩</sup>	—	E1X1PK	—		
		A05	A06	A07	A08	A1X1PK	A1X1RTK <sup>⑪</sup>		
2	Left <sup>⑩</sup>	A09	A10	—	A11	A2X1LPK	A2X1LTK		
	Right or Neutral	A21 <sup>⑩</sup>	A22 <sup>⑩</sup>	—	—	E2X1LPK	—		
		A12	A13	—	A14	A2X1RPK	A2X1RTK <sup>⑪</sup>		
		A23 <sup>⑩</sup>	A24 <sup>⑩</sup>	—	—	E2X1RPK	—		

Instruction Leaflet/FRED Number 29C120

### J-Frame

#### Electrical Rating Data<sup>④⑤</sup>

Maximum Voltage	Frequency	Maximum Current Amperes	Dielectric Withstand Voltage
600	50/60 Hz	6	2500
125	Dc	0.50 <sup>⑦</sup>	—
250	Dc	0.25 <sup>⑦</sup>	—

#### Auxiliary Switch

Number of Sets of Contacts (1a and 1b)	Mounting Location (Pole)	Factory Mounted				Field Mounted			
		Connection Type and Location						Field Installation Kits <sup>⑩</sup>	
		18-Inch Pigtail Leads				Terminal Block	Pigtail Leads	Terminal Block	
		Same Side	Rear <sup>⑪</sup>	Opposite Side	Same Side				
Suffix Number						Catalog Number			
1	Left	A01	A02	A03	A04	A1X2PK	A1X2LTK		
	Right <sup>⑫</sup>	A05	A06	A07	A08	A1X2PK	A1X2RTK <sup>⑬</sup>		
2	Left	A09	A10	—	A11	A2X2PK	A2X2LTK		
	Right <sup>⑫</sup>	A12	A13	—	A14	A2X2PK	A2X2RTK <sup>⑬</sup>		

Instruction Leaflet/FRED Number 29C121

① Includes 24-inch external pigtail leads, #18 AWG (16-.010).

② A maximum of two internal accessories may be mounted in a three-pole circuit breaker.

③ Suitable for mounting in right pole only of 2- or 3-pole breaker.

④ Endurance: 6000 electrical operations plus 4000 mechanical operations.

⑤ Pigtail wire size: No. 18 AWG (0.82 mm<sup>2</sup>).

⑥ For use in electronic circuit of 100 micro-amperes and 15 Vdc minimum.

⑦ Non-inductive load.

⑧ Not listed with Underwriters Laboratories, Inc., for field installation.

⑨ Standard pigtail lead exit location.

⑩ 125-volt (Max.), 50/60 Hz switch for use in electronic circuit of 100 micro-amp and 15 Vdc minimum.

⑪ Listed with Underwriters Laboratories, Inc. for field installation or interchangeable trip unit breakers under E64983.

⑫ Standard mounting location – leads exit rear of breaker.

⑬ Not for use on 4-pole circuit breakers.

Auxiliary Switch

K-Frame

Electrical Rating Data<sup>①②</sup>

Maximum Voltage	Frequency	Maximum Current Amperes	Dielectric Withstand Voltage
600	50/60 Hz	6	2500
125	Dc	0.50 <sup>③</sup>	
250	Dc	0.25 <sup>③</sup>	

Auxiliary Switch

Number of Sets of Contacts (1M and 1B)	Mounting Location (Pole)	Factory Mounted				Field Mounted	
		Connection Type and Location				Field Installation Kits <sup>④</sup>	
		18-Inch Pigtail Leads			Terminal Block	Pigtail Leads	Terminal Block
		Same Side	Rear <sup>⑤</sup>	Opposite Side	Same Side		
Suffix Number				Catalog Number			
1	Left Right <sup>⑤</sup>	A01 A05	A02 A06	A03 A07	A04 A08	A1X3PK A1X3PK	A1X3LTK A1X3RTK <sup>⑥</sup>
2	Left Right <sup>⑤</sup>	A09 A12	A10 A13	– –	A11 A14	A2X3PK A2X3PK	A2X3LTK A2X3RTK <sup>⑥</sup>
3	Left Right	A18 A17	– –	– –	A15 A16	A3X3LPK A3X3RPK	A3X3LTK A3X3RTK <sup>⑥</sup>

Instruction Leaflet/FRED Number 29C122

L- and M-Frames

Electrical Rating Data<sup>②</sup>

Maximum Voltage	Frequency	Maximum Current Amperes	Dielectric Withstand Voltage
600	50/60 Hz	6	2500
125	Dc	0.50 <sup>③</sup>	
250	Dc	0.25 <sup>③</sup>	

Auxiliary Switch

Number of Sets of Contacts (1a and 1b)	Mounting Location (Pole)	Factory Mounted				Field Mounted	
		Connection Type and Location				Field Installation Kits <sup>④</sup>	
		18-Inch Pigtail Leads			Terminal Block	Pigtail Leads	Terminal Block
		Same Side	Rear <sup>⑤</sup>	Opposite Side	Same Side		
Suffix Number				Catalog Number			
1	Left Right <sup>⑤</sup>	A01 A05	A02 A06	A03 A07	A04 A08	A1X4PK A1X4PK	A1X4LTK A1X4RTK <sup>⑥</sup>
2	Left Right <sup>⑤</sup>	A09 A12	A10 A13	– –	A11 A14	A2X4PK A2X4PK	A2X4LTK A2X4RTK <sup>⑥</sup>
3	Left Right <sup>⑤</sup>	A18 A17	– –	– –	A15 A16	A3X4PK A3X4PK	A3X4LTK A3X4RTK <sup>⑥</sup>

Instruction Leaflet/FRED Number 29C123

- ① Endurance – 5000 electrical operations plus 1000 mechanical operations.
- ② Pigtail wire size – No. 18 AWG (0.82 mm<sup>2</sup>).
- ③ Non-inductive load.
- ④ Listed with Underwriters Laboratories, Inc. for field installation under E64983.
- ⑤ Standard mounting location – leads exit rear of breaker.
- ⑥ Not for use on 4-pole circuit breaker.

## Auxiliary Switch

### N-Frame

#### Electrical Rating Data<sup>①②</sup>

Maximum Voltage	Frequency	Maximum Current Amperes	Dielectric Withstand Voltage
600	50/60 Hz	6	2500
125	Dc	0.50 <sup>③</sup>	
250	Dc	0.25 <sup>③</sup>	

#### Auxiliary Switch

Number of Sets of Contacts (1A and 1B)	Mounting Location (Pole)	Factory Mounted				Field Mounted	
		Connection Type and Location				Field Installation Kits <sup>④</sup>	
		18-Inch Pigtail Leads			Terminal Block	Pigtail Leads	Terminal Block
		Same Side	Rear <sup>⑤</sup>	Opposite Side	Same Side		
Suffix Number				Catalog Number			
1	Left Right <sup>⑤</sup>	A01 A05	A02 A06	A03 A07	A04 A08	A1X5LPK A1X5RPK	A1X5LTK A1X5RTK <sup>⑥</sup>
2	Left Right <sup>⑤</sup>	A09 A12	A10 A13	– –	A11 A14	A2X5LPK A2X5RPK	A2X5LTK A2X5RTK <sup>⑥</sup>
3	Left Right <sup>⑤</sup>	A18 A17	– –	– –	A15 A16	A3X5LPK A3X5RPK	A3X5LTK A3X5RTK <sup>⑥</sup>

Instruction Leaflet/FRED Number 29C124

### R-Frame

#### Electrical Rating Data<sup>⑦⑧</sup>

Maximum Voltage	Frequency	Maximum Current Amperes
600	50/60 Hz	6
125	Dc	0.50 <sup>③</sup>
250	Dc	0.25 <sup>③</sup>

#### Auxiliary Switch (RH only)

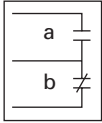
Number of Contacts (Make and Break)	Factory Mounted		Field Mounted
	Connection Type and Location		Field Installation Kits <sup>④</sup>
	18-Inch Pigtail Leads		Pigtail Leads
	Suffix Number <sup>⑨</sup>		Catalog Number <sup>⑨</sup>
2	A12		A2X6RPK
4	A19		A4X6RPK

Instruction Leaflet/FRED Number 29C125

- ① Endurance – 3000 electrical operations plus 1000 mechanical operations.  
 ② Pigtail wire size – No. 18 AWG (0.82 mm<sup>2</sup>).  
 ③ Non-inductive load.  
 ④ Listed with Underwriters Laboratories, Inc. for field installation under E64983.  
 ⑤ Standard mounting location – leads exit rear of breaker.  
 ⑥ Not for use on 4-pole circuit breaker.  
 ⑦ Endurance: 500 electrical operations plus 2500 mechanical operations.  
 ⑧ Pigtail wire size: No. 18 AWG (0.82 mm<sup>2</sup>). Leads are red, black and blue.  
 ⑨ A maximum of two auxiliary switches (any combination of 2a/2b or 4a/4b plug-in modules may be installed in a circuit breaker.

Auxiliary Switch and Alarm Switch Combination

Auxiliary Switch and Alarm Switch Combination



General Information

Each catalog number listed in the following table includes one auxiliary switch and one alarm switch. In an auxiliary switch ASL switch

combination, the auxiliary switch is always mounted on the side of the plug-in module next to the center pole of the circuit breaker.

Ordering Information

F-Frame

Electrical Rating Data<sup>①②</sup>

Maximum Voltage	Frequency	Maximum Current Amperes	Dielectric Withstand Voltage
125	50/60 Hz	1	2500
600	50/60 Hz	6	2500
125	Dc	0.50 <sup>③</sup>	2200
250	Dc	0.25 <sup>③</sup>	2200

Auxiliary Switch and Alarm Switch Combination

Mounting Location (Pole)	Factory Mounted				Field Mounted	
	Connection Type and Location				Field Installation Kits <sup>④</sup>	
	18-Inch Pigtail Leads		Terminal Block		Pigtail Leads	Terminal Block
	Same Side	Rear <sup>⑤</sup>	Same Side			
Suffix Number				Catalog Number		
Left <sup>⑤</sup> Right	C01 C04	C02 C05	C03 C06	AAL1LPK AAL1RPK	AAL1LTK AAL1RTK <sup>⑥</sup>	

Instruction Leaflet/FRED Number 29C180

J-Frame

Electrical Rating Data<sup>⑦②</sup>

Maximum Voltage	Frequency	Maximum Current Amperes	Dielectric Withstand Voltage
600	50/60 Hz	6	2500
125	Dc	0.50 <sup>③</sup>	
250	Dc	0.25 <sup>③</sup>	

Auxiliary Switch and Alarm Switch Combination

Number of Sets of Contacts (1a and 1b and 1M and 1B)	Mounting Location (Pole)	Factory Mounted				Field Mounted	
		Connection Type and Location				Field Installation Kits <sup>⑧</sup>	
		18-Inch Pigtail Leads		Terminal Block		Pigtail Leads	Terminal Block
		Same Side	Rear <sup>⑧</sup>	Opposite Side	Same Side		
Suffix Number				Catalog Number			
1	Left Right <sup>⑨</sup>	C01 C04	C02 C05	– –	C03 C06	AAL2LPK AAL2RPK	AAL2LTK AAL2RTK <sup>⑥</sup>

Instruction Leaflet/FRED Number 29C181

K-Frame

Electrical Rating Data<sup>⑩②</sup>

Maximum Voltage	Frequency	Maximum Current Amperes	Dielectric Withstand Voltage
600	50/60 Hz	6	2500
125	Dc	0.50 <sup>③</sup>	
250	Dc	0.25 <sup>③</sup>	

Auxiliary Switch and Alarm Switch Combination

Number of Sets of Contacts (1a and 1b and 1M and 1B)	Mounting Location (Pole)	Factory Mounted				Field Mounted	
		Connection Type and Location				Field Installation Kits <sup>⑧</sup>	
		18-Inch Pigtail Leads		Terminal Block		Pigtail Leads	Terminal Block
		Same Side	Rear <sup>⑧</sup>	Opposite Side	Same Side		
Suffix Number				Catalog Number			
1	Left Right <sup>⑨</sup>	C01 C04	C02 C05	– –	C03 C06	AAL3LPK AAL3RPK	AAL3LTK AAL3RTK

Instruction Leaflet/FRED Number 29C182

① Endurance: 6000 electrical operations plus 4000 mechanical operations.  
 ② Pigtail wire size: No. 18 AWG (0.82 mm<sup>2</sup>).  
 ③ Non-inductive load.  
 ④ Not listed with Underwriters Laboratories, Inc., for field installation.  
 ⑤ Standard mounting location.  
 ⑥ Not for use on 4-pole circuit breakers.

⑦ Endurance – 6000 electrical operations plus 2000 mechanical operations.  
 ⑧ Listed with Underwriters Laboratories, Inc. for field installation or interchangeable trip unit breakers under E64983.

⑨ Standard mounting location – leads exit rear of breaker.  
 ⑩ Endurance – 5000 electrical operations plus 1000 mechanical operations.

## Auxiliary Switch and Alarm Switch Combination

### L- and M-Frames

#### Electrical Rating Data<sup>①②</sup>

Maximum Voltage	Frequency	Maximum Current Amperes	Dielectric Withstand Voltage
600	50/60 Hz	6	2500
125	Dc	0.50 <sup>③</sup>	
250	Dc	0.25 <sup>③</sup>	

#### Auxiliary Switch and Alarm Switch Combination

Number of Sets of Contacts	Mounting Location (Pole)	Factory Mounted				Field Mounted	
		Connection Type and Location				Field Installation Kits <sup>④</sup>	
		18-Inch Pigtail Leads			Terminal Block	Pigtail Leads	Terminal Block
		Same Side	Rear <sup>⑤</sup>	Opposite Side	Same Side		
Suffix Number				Catalog Number			
1A, 1B and 1 Make/ 1 Break	Left Right <sup>⑤</sup>	C01	C02	–	C03	AA114LPK	AA114LTK
		C04	C05	–	C06	AA114RPK	AA114RTK <sup>⑥</sup>
2A, 2B and 1 Make/ 1 Break	Left Right <sup>⑤</sup>	C07	C08	–	C12	AA214LPK	AA214LTK
		C10	C11	–	C13	AA214RPK	AA214RTK <sup>⑥</sup>
3A, 3B and 1 Make/ 1 Break	Left Right <sup>⑤</sup>	C14	–	–	–	AA314LPK	–
		C15	–	–	–	AA314RPK	–

Instruction Leaflet/FRED Number 29C183

### N-Frame

#### Electrical Rating Data<sup>⑦②</sup>

Maximum Voltage	Frequency	Maximum Current Amperes	Dielectric Withstand Voltage
600	50/60 Hz	6	2500
125	Dc	0.50 <sup>③</sup>	
250	Dc	0.25 <sup>③</sup>	

#### Auxiliary Switch and Alarm Switch Combination

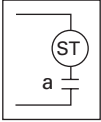
Number of Sets of Contacts	Mounting Location (Pole)	Factory Mounted				Field Mounted	
		Connection Type and Location				Field Installation Kits <sup>④</sup>	
		18-Inch Pigtail Leads			Terminal Block	Pigtail Leads	Terminal Block
		Same Side	Rear <sup>⑤</sup>	Opposite Side	Same Side		
Suffix Number				Catalog Number			
1A, 1B and 1 Make/ 1 Break	Left Right <sup>⑤</sup>	C01	C02	–	C03	AA115LPK	AA115LTK
		C04	C05	–	C06	AA115RPK	AA115RTK <sup>⑥</sup>
2A, 2B and 1 Make/ 1 Break	Left Right <sup>⑤</sup>	C07	C08	–	C12	AA215LPK	AA215LTK
		C10	C11	–	C13	AA215RPK	AA215RTK <sup>⑥</sup>

Instruction Leaflet/FRED Number 29C184

- ① Endurance – 5000 electrical operations plus 1000 mechanical operations.  
 ② Pigtail wire size – No. 18 AWG (0.82 mm<sup>2</sup>).  
 ③ Non-inductive load.  
 ④ Listed with Underwriters Laboratories, Inc. for field installation under E64983.  
 ⑤ Standard mounting location – leads exit rear of breaker.  
 ⑥ Not for use on 4-pole circuit breaker.  
 ⑦ Endurance – 3000 electrical operations plus 1000 mechanical operations.

Shunt Trip

Shunt Trip



General Information

The shunt trip provides remote controlled tripping of the circuit breaker. The shunt trip consists of an intermittent rated solenoid with a tripping plunger and a cutoff switch assembled to a plug-in module.

When required for ground fault protection applications, certain Ac rated shunt trips, as noted in the Electrical Rating Table, are suitable for operation at 55 percent of rated voltage.

Ordering Information

Select shunt trip catalog number for the voltage within the indicated voltage range. Shunt trip coils are designed to be applied at specific Ac or Dc voltages within the voltage range shown. Electrical ratings are also shown on applicable circuit breaker accessory nameplates.

G-Frame

Shunt Trip (LH 3-Pole only)

Electrical Ratings			Catalog Number	Suffix Number
Volts	Frequency	Amperes		
120	50/60 Hz	1.1	1373D62G01	S1
240	50/60 Hz	2.1	1373D62G02	S2
12	Dc	2.8	1373D62G15	S3
24	Dc	5.7	1373D62G16	S4
24	60 Hz	—	1373D62G20	S7

Instruction Leaflet/FRED Number 15550

**Note:** G-Frame circuit breakers are factory sealed. Underwriters Laboratories, Inc., requires that internal accessories be installed at the factory.

Internal accessories are UL listed for factory installation under E7819.

Where local codes and standards permit and UL listing is not required, internal accessories can be field installed. Accessory installation should be done before the circuit breaker is mounted and connected.



Shunt Trip

F-Frame

Electrical Rating Data<sup>①②③</sup>

50/60 Hz			Dc		
Supply Voltage	Minimum Operating Voltage	VA	Supply Voltage	Minimum Operating Voltage	VA
12 24	6.75	75 300	12 24	9	100 400
48 60 110 120 127	36	92 140 480 570 640	48 60	36	100 160
208 220 240 380	156	180 200 240 610	110 120 125 127	77	55 66 71 72
415 440 480 525 550 600	300	130 330 380 450 530 590 —	220 250 — — — — —	— — — — — — —	110 140 — — — — —

Shunt Trip

Voltage Rating (Ac Frequency = 50/60 Hz)	Factory Mounted				Field Mounted	
	Connection Type and Location				Field Installation Kits <sup>④</sup>	
	18-Inch Pigtail Leads <sup>⑤</sup>			Terminal Block	Pigtail Leads	Terminal Block
	Same Side	Rear <sup>⑥</sup>	Opposite Side	Same Side		
	Suffix Number			Catalog Number		

Left-Pole Mounting Ac/Dc Ratings

12-24 Vac or Vdc	S01	S02	S03	S04	SNT1LP03K	SNT1LT03K
48-127 Vac or 48-60 Vdc <sup>⑦</sup>	S05	S06	S07	S08	SNT1LP08K	SNT1LT08K
208-380 Vac or 110-127 Vdc	S09	S10	S11	S12	SNT1LP12K	SNT1LT12K
415-600 Vac or 220-250 Vdc	S13	S14	S15	S16	SNT1LP18K	SNT1LT18K

Right- or Neutral-Pole Mounting Ac/Dc Ratings<sup>⑧</sup>

12-24 Vac or Vdc	S17	S18	S19	S20	SNT1RP03K	SNT1RT03K <sup>⑨</sup>
48-127 Vac or 48-60 Vdc <sup>⑦</sup>	S21	S22	S23	S24	SNT1RP08K	SNT1RT08K <sup>⑨</sup>
208-380 Vac or 110-127 Vdc	S25	S26	S27	S28	SNT1RP12K	SNT1RT12K <sup>⑨</sup>
415-600 Vac or 220-250 Vdc	S29	S30	S31	S32	SNT1RP18K	SNT1RT18K <sup>⑨</sup>

Instruction Leaflet/FRED Number 29C140

**Note:** F-Frame circuit breakers are factory sealed. Underwriters Laboratories, Inc., requires that internal accessories be installed at the factory.

Internal accessories are UL listed for factory installation under E7819.

Where local codes and standards permit and UL listing is not required, internal accessories can be field installed. Accessory installation should be done before the circuit breaker is mounted and connected.

J-Frame

Electrical Rating Data<sup>①②⑩</sup>

50/60 Hz			Dc		
Supply Voltage	Minimum Operating Voltage	VA	Supply Voltage	Minimum Operating Voltage	VA
12 24	9	31 173	12 24	8.4	50 247
48 60	36	686 1014	48 60	33.6	1094 1698
110 <sup>⑪</sup> 120 <sup>⑪</sup> 127 <sup>⑪</sup> 208 <sup>⑪</sup> 220 <sup>⑪</sup> 240 <sup>⑪</sup>	60.5	66 84 102 354 396 432	110 120 125 — — —	77	112 138 150 — — —
380 400 415 440	285	180 200 240 610	110 120 125 127	154	40 58 — —
480 525 550 600	360	34 42 50 60	— — — —	— — — —	— — — —

Shunt Trip

Voltage Rating (Ac Frequency = 50/60 Hz)	Factory Mounted				Field Mounted	
	Connection Type and Location				Field Installation Kits <sup>⑫</sup>	
	18-Inch Pigtail Leads			Terminal Block	Pigtail Leads	Terminal Block
	Same Side	Rear <sup>⑬</sup>	Opposite Side	Same Side		
	Suffix Number			Catalog Number		

Left-Pole Mounting Ac/Dc Ratings<sup>⑬</sup>

12-24 Vac or Vdc	S41	S42	S43	S44	SNT2P04K	SNT2T04K
48-60 Vac or Vdc	S49	S50	S51	S52	SNT2P06K	SNT2T06K
110-240 Vac or 110-125 Vdc <sup>⑭</sup>	S09	S10	S11	S12	SN2LP11K	SNT2T11K
380-440 Vac or 220-250 Vdc	S33	S34	S35	S36	SNT2P14K	SNT2T14K
480-600 Vac	S17	S18	S19	S20	SNT2P18K	SNT2T18K

Right-Pole Mounting Ac/Dc Ratings

12-24 Vac or Vdc	S45	S46	S47	S48	SNT2P04K	SNT2T04K <sup>⑯</sup>
48-60 Vac or Vdc	S53	S54	S55	S56	SNT2P06K	SNT2T06K <sup>⑯</sup>
110-240 Vac or 110-125 Vdc <sup>⑭</sup>	S29	S30	S31	S32	SNT2P11K	SNT2T11K <sup>⑯</sup>
380-440 Vac or 220-250 Vdc	S33	S34	S35	S36	SNT2P14K	SNT2T14K <sup>⑯</sup>
480-600 Vac	S37	S38	S39	S40	SNT2P18K	SNT2T18K <sup>⑯</sup>

Instruction Leaflet/FRED Number 29C142

- ① Average unlatching time: 6 milliseconds.
- ② Average circuit breaker contact total opening time: 18 milliseconds.
- ③ Endurance: 6000 electrical operations plus 4000 mechanical operations.
- ④ Not listed with Underwriters Laboratories, Inc., for field installation.
- ⑤ Pigtail wire size: No. 18 AWG (0.82 mm<sup>2</sup>).
- ⑥ Standard pigtail lead exit location.

- ⑦ 120 Vac marked suitable for ground fault protection devices.
- ⑧ Standard mounting location.
- ⑨ Not for use on 4-pole circuit breakers.
- ⑩ Endurance – 6000 electrical operations plus 2000 mechanical operations.
- ⑪ Supply voltages suitable for use with Class 1 GFP devices. Marking label included with accessory kits.

- ⑫ Listed with Underwriters Laboratories, Inc. for field installation under E64983.
- ⑬ Standard mounting location – leads exit rear of breaker.
- ⑭ Suitable for use with Class 1 ground fault sensing element.

Shunt Trip

K-Frame

Electrical Rating Data①②③

50/60 Hz			Dc		
Supply Voltage	Minimum Operating Voltage	VA	Supply Voltage	Minimum Operating Voltage	VA
12	9	45	12	8.4	35
24		200	24		170
48		830	48		710
60		1280	60		1105
110④	60	100	110	77	110
120④		120	120		130
127④		140	125		140
208④		420	—		—
220④		470	—		—
240④	550	—	—	—	
380	285	95	220	154	41
400		108	250		54
415		120	—		—
440		136	—		—
480	360	40	—	—	—
525		50	—		—
550		50	—		—
600		70	—		—
—		—	—		—

Shunt Trip

Voltage Rating (Ac Frequency = 50/60 Hz)	Factory Mounted				Field Mounted	
	Connection Type and Location				Field Installation Kits⑤	
	18-Inch Pigtail Leads			Terminal Block	Pigtail Leads	Terminal Block
	Same Side	Rear⑥	Opposite Side			
	Suffix Number				Catalog Number	

Left-Pole Mounting Ac/Dc Ratings⑥

12-24 Vac or Vdc	S41	S42	S43	S44	SNT3P04K	SNT3T04K
48-60 Vac or Vdc	S49	S50	S51	S52	SNT3P06K	SNT3T06K
110-240 Vac or 110-125 Vdc⑦	S09	S10	S11	S12	SN3LP11K	SNT3T11K
380-440 Vac or 220-250 Vdc	S13	S14	S15	S16	SNT3P14K	SNT3T14K
480-600 Vac	S17	S18	S19	S20	SNT3P18K	SNT3T18K

Right-Pole Mounting Ac/Dc Ratings⑧

12-24 Vac or Vdc	S45	S46	S47	S48	SNT3P04K	SNT3T04K⑨
110-240 Vac or 110-125 Vdc⑦	S29	S30	S31	S32	SNT3P11K	SNT3T11K⑨
380-440 Vac or 220-250 Vdc	S33	S34	S35	S36	SNT3P14K	SNT3T14K⑨
480-600 Vac	S37	S38	S39	S40	SNT3P18K	SNT3T18K⑨

Instruction Leaflet/FRED Number 29C144

L- and M-Frames

Electrical Rating Data①②③

50/60 Hz			Dc		
Supply Voltage	Minimum Operating Voltage	VA	Supply Voltage	Minimum Operating Voltage	VA
12	9	45	12	9	35
24		200	24		170
48	34	830	48	34	710
60		1280	60		1105
110④	60	100	110	77	110
120④		120	120		130
127④		140	125		140
208④		420	—		—
220④		470	—		—
240④	550	—	—	—	
380	266	95	220	154	41
400		108	250		54
415		120	—		—
440		136	—		—
480	336	40	—	—	—
525		50	—		—
550		50	—		—
600		70	—		—
—		—	—		—

Shunt Trip

Voltage Rating (Ac Frequency = 50/60 Hz)	Factory Mounted				Field Mounted	
	Connection Type and Location				Field Installation Kits⑤	
	18-Inch Pigtail Leads			Terminal Block	Pigtail Leads	Terminal Block
	Same Side	Rear⑥	Opposite Side			
	Suffix Number				Catalog Number	

Left-Pole Mounting Ac/Dc Ratings⑥

12-24 Vac or Vdc	S01	S02	S03	S04	SNT4LP03K	SNT4LT03K
48-60 Vac	S05	S06	S07	S08	SNT4LP05K	SNT4LT05K
48-60 Vdc	S85	S86	S87	—	SNT4LP23K	SNT4LT23K
110-240 Vac	S09	S10	S11	S12	SNT4LP11K	SNT4LT11K
110-125 Vdc	S41	S42	S43	S44	SNT4LP26K	SNT4LT26K
380-440 Vac or 220-250 Vdc	S13	S14	S15	S16	SNT4LP14K	SNT4LT14K
480-600 Vac	S17	S18	S19	S20	SNT4LP18K	SNT4LT18K

Right-Pole Mounting Ac/Dc Ratings⑧

12-24 Vac or Vdc	S21	S22	S23	S24	SNT4RP03K	SNT4RT03K
48-60 Vac	S25	S26	S27	S28	SNT4RP05K	SNT4RT05K
48-60 Vdc	S88	S89	S90	—	SNT4RP23K	SNT4RT23K
110-240 Vac	S29	S30	S31	S32	SNT4RP11K	SNT4RT11K
110-125 Vdc	S45	S46	S47	S48	SNT4RP26K	SNT4RT26K
380-440 Vac or 220-250 Vdc	S33	S34	S35	S36	SNT4RP14K	SNT4RT14K
480-600 Vac	S37	S38	S39	S40	SNT4RP18K	SNT4RT18K

Instruction Leaflet/FRED Number 29C146

- ① Approximate unlatching time – 6 milliseconds.
- ② Approximate total circuit breaker contact opening time – 18 milliseconds.
- ③ Endurance – 5,000 electrical operations plus 1,000 mechanical operations.
- ④ Supply voltages suitable for use with Class 1 GFP devices. Marking label included with accessory kits.
- ⑤ Listed with Underwriters Laboratories, Inc., for field installation under E64983.

- ⑥ Standard mounting location – leads exit rear of breaker.
- ⑦ Suitable for use with Class 1 ground fault sensing element.
- ⑧ For use with KT (thermal-magnetic) trip units only.
- ⑨ Not for use on 4-pole circuit breaker.
- ⑩ For use with LT (thermal-magnetic) 3-pole trip units only.

## Shunt Trip

### N-Frame

#### Electrical Rating Data<sup>①②③</sup>

50/60 Hz			Dc		
Supply Voltage	Minimum Operating Voltage	VA	Supply Voltage	Minimum Operating Voltage	VA
24	16.8	200	24	16.8	170
48	33.6	830	48	33.6	710
60		1280	60		1150
110 <sup>④</sup>	60	100	110	77	110
120 <sup>④</sup>		120	120		130
127 <sup>④</sup>		140	125		140
208 <sup>④</sup>		420	—		—
220 <sup>④</sup>		470	—		—
240 <sup>④</sup>	550	—	—	—	
380	266	95	220	154	41
400		108	250		54
415		120	—		—
440		136	—		—
480	336	40	—	—	—
525		50	—		—
550		50	—		—
600		70	—		—

### Ordering Information

#### Shunt Trip

Voltage Rating (Ac Frequency = 50/60 Hz)	Factory Mounted				Field Mounted	
	Connection Type and Location				Field Installation Kits <sup>⑤</sup>	
	18-Inch Pigtail Leads			Terminal Block	Pigtail Leads	Terminal Block
	Same Side	Rear <sup>⑥</sup>	Opposite Side	Same Side		
Suffix Number				Catalog Number		

#### Left-Pole Mounting Ac/Dc Ratings<sup>⑥</sup>

24 Vac or Vdc	S01	S02	S03	S04	SNT5LP03K	SNT5LT03K
48-60 Vac	S05	S06	S07	S08	SNT5LP05K	SNT5LT05K
110-240 Vac <sup>④</sup>	S09	S10	S11	S12	SNT5LP11K	SNT5LT11K
110-125 Vdc	S41	S42	S43	S44	SNT5LP26K	SNT5LT26K
380-440 Vac or 220-250 Vdc	S13	S14	S15	S16	SNT5LP14K	SNT5LT14K
480-600 Vac	S17	S18	S19	S20	SNT5LP18K	SNT5LT18K
48-60 Vdc	S21	S22	S23	S24	SNT5LP23K	SNT5LT23K

Instruction Leaflet/FRED Number 29C148

- ① Approximate unlatching time – 6 milliseconds.
- ② Approximate total circuit breaker contact opening time – 18 milliseconds.
- ③ Endurance – 3000 electrical operations plus 1000 mechanical operations.
- ④ Supply voltages suitable for use with Class 1 GFP devices. Marking label included with accessory kits.
- ⑤ Listed with Underwriters Laboratories, Inc. for field installation under E64983.
- ⑥ Standard mounting location – leads exit rear of breaker.

Shunt Trip

R-Frame

Electrical Rating Data

Suffix Number	Application Ratings		Electrical Operating Ratings <sup>①②③④⑤⑥</sup>							
	Voltage (V)	Frequency (Hz)	Supply Voltage (V)	Minimum Operating Voltage (V)	I <sub>p</sub> (A)	I <sub>rms</sub> at 0.250s (A)	I <sub>rms</sub> at 0.033s (A)	VA	One Minute Dielectric Withstand Voltage (V)	
03/03K	24	50/60	24	16.8	71.1	—	50.3	1210	1050	
	24	Dc	24	16.8	—	36.1	—	870	1050	
05/05K	48-60	50/60	48 60	34.0	13.1 17.2	—	9.2 12.2	450 740	1120	
11/11K <sup>⑦</sup>	110-240	50/60	110	60.5	4.2	—	3.0	330	1480	
			120		4.5		3.2	390		
			127		4.6		3.3	430		
			208		7.9		5.6	1170		
			220		8.5		6.0	1370		
			240		8.7		6.1	1470		
14/14K	380-440	50/60	380	266.0	4.5	—	3.2	1220	1880	
			415		5.0		3.6	1500		
			440		5.3		3.7	1640		
	220-250	Dc	220	154.0	—	2.4	—	530	1500	
			250		2.7		680			
18/18K	480-600	50/60	480	336.0	0.6	—	0.4	200	2200	
			525		0.7		0.5	270		
			550		0.7		0.5	280		
			600		0.8		0.6	360		
23/23K	48-60	Dc	48	34.0	—	9.8	—	470	1120	
			60					11.6		700
26/26K	110-125	Dc	110	77.0	—	3.3	—	370	1250	
			120					3.6		440
			125					3.8		480

Shunt Trip (RH only)

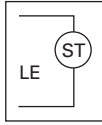
Voltage Rating (Ac Frequency = 50/60 Hz)	Factory Mounted	Field Mounted
	Connection Type and Location	Field Installation Kits <sup>⑧</sup>
	18-Inch Pigtail Leads <sup>⑥</sup>	Pigtail Leads
	Suffix Number <sup>⑨</sup>	Catalog Number <sup>⑨</sup>
24 Vac or Vdc	<b>S21</b>	<b>SNT6P03K</b>
48-60 Vac	<b>S25</b>	<b>SNT6P05K</b>
110-240 Vac	<b>S29</b>	<b>SNT6P11K</b>
380-440 Vac or 220-250 Vdc	<b>S33</b>	<b>SNT6P14K</b>
480-600 Vac	<b>S37</b>	<b>SNT6P18K</b>
48-60 Vdc	<b>S88</b>	<b>SNT6P23K</b>
110-125 Vdc	<b>S45</b>	<b>SNT6P26K</b>

Instruction Leaflet/FRED Number 29C150

- ① Approximate unlatching time of 6 milliseconds.
- ② Average circuit breaker contact total opening time approximately 62 milliseconds, at rated voltage.
- ③ Endurance – 500 electrical operations and 2500 mechanical operations.
- ④ Shunt trip can be operated up to a maximum of six times per minute.
- ⑤ Maximum operating voltage – 110% of maximum voltage range rating.
- ⑥ Pigtail wire size – No. 18 AWG (0.82 mm<sup>2</sup>). Leads are yellow and white.
- ⑦ Suitable for use with Class 1 GFP devices; marking label supplied with accessory kit.
- ⑧ Listed with Underwriters Laboratories, Inc. for field installation under E64983.
- ⑨ A maximum of two shunt trip plug-in modules may be installed in a circuit breaker.

Low Energy Shunt Trip

Low Energy Shunt Trip



General Information

Low energy shunt trip devices are designed to operate from low energy output signals from dedicated current sensors typically applied in ground fault protection schemes. However, with a proper control voltage source, they may be applied in place of conventional trip devices for special applications. Flux paths surrounding permanent magnets used in the shunt trip assembly hold a charged spring poised in readiness to operate the circuit breaker trip mechanism. When a 100

microfarad capacitor charged to 28 Vdc is discharged through the shunt trip coil, the resultant flux opposes the permanent magnet flux field, which releases the stored energy in the spring to trip the circuit breaker. As the circuit breaker resets, the shunt trip reset arm is actuated by the circuit breaker handle, resetting the shunt trip. The plug-in module is mounted in retaining slots in the top of the trip unit. Coil is intermittent-rated only. Cutoff provisions required in control circuit.

Ordering Information

Select shunt trip catalog number for the voltage within the indicated voltage range. Shunt trip coils are designed to be applied at specific Ac or Dc voltages within the voltage range shown. Electrical ratings are also shown on applicable circuit breaker accessory nameplates.

F-, J-, K-, L-, M-, N-, and R-Frames

Low Energy Shunt Trip①

Mounting Positions	Factory Mounted				Field Mounted	
	Connection Type and Location				Field Installation Kits②	
	18-Inch Pigtail Leads			Terminal Block	Pigtail Leads	Terminal Block
	Same Side	Rear③	Opposite Side	Same Side		
	Suffix Numbers				Catalog Numbers	

F-Frame

Left Pole	<b>N01</b>	<b>N02</b>	<b>N03</b>	<b>N04</b>	<b>LST1LPK</b>	<b>LST1LTK</b>
Right Pole③	<b>N05</b>	<b>N06</b>	<b>N07</b>	<b>N08</b>	<b>LST1RPK</b>	<b>LST1RTK</b>

Instruction Leaflet/FRED Number 29C141

J-Frame

Left Pole③	<b>N01</b>	<b>N02</b>	<b>N03</b>	–	<b>LST2LPK</b>	–
Right Pole	<b>N05</b>	<b>N06</b>	<b>N07</b>	–	<b>LST2RPK</b>	–

Instruction Leaflet/FRED Number 29C143

K-Frame

Left Pole③	<b>N01</b>	<b>N02</b>	<b>N03</b>	–	<b>LST3LPK</b>	–
Right Pole④	<b>N05</b>	<b>N06</b>	<b>N07</b>	–	<b>LST3RPK</b>	–

Instruction Leaflet/FRED Number 29C145

L- and M-Frames

Left Pole③	<b>N01</b>	<b>N02</b>	<b>N03</b>	–	<b>LST4LPK</b>	–
Right Pole④	<b>N05</b>	<b>N06</b>	<b>N07</b>	–	<b>LST4RPK</b>	–

Instruction Leaflet/FRED Number 29C147

N-Frame

Left Pole③	<b>N01</b>	<b>N02</b>	<b>N03</b>	–	<b>LST5LPK</b>	–
------------	------------	------------	------------	---	----------------	---

Instruction Leaflet/FRED Number 29C149

R-Frame

Right Pole	<b>N01</b>	–	–	–	<b>LST6RPK</b>	–
------------	------------	---	---	---	----------------	---

Instruction Leaflet/FRED Number 29C151

① Cutoff provisions required in control circuit.

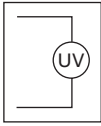
② Listed with Underwriters Laboratories, Inc. for field installation under E64983.

③ Standard mounting location – leads exit rear of breaker.

④ For use with thermal-magnetic trip units only.

Undervoltage Release Mechanism

Undervoltage Release Mechanism



General Information

The undervoltage release mechanism monitors a voltage (typically a line voltage) and trips the circuit breaker when the voltage falls to between 70 and 35 percent of the solenoid coil rating.

The undervoltage release mechanism consists of a continuous rated solenoid with a plunger and tripping lever mounted in a plug-in module. The tab on the tripping lever resets the undervoltage release mechanism

when normal voltage has been restored and the circuit breaker handle is moved to the reset (or OFF) position. With less than pickup voltage applied to the undervoltage release mechanism, the circuit breaker contacts will not touch when a closing operation is attempted.

**Note:** Undervoltage release mechanism accessories are not designed for, and should not be used as, circuit interlocks.

Ordering Information

Select handle reset undervoltage release mechanism catalog number for the voltage within the indicated voltage range. Undervoltage release mechanism coils are designed to be applied at specific Ac or Dc voltages within the voltage range shown. Electrical ratings are shown on applicable circuit breaker accessory nameplates.

G-Frame

Undervoltage Release Mechanism (LH 3-Pole only)

Electrical Ratings			Style Numbers ①②③	Factory Suffix
Volts	Frequency	Amperes		
120	50/60 Hz	0.05	1373D62G03	T1
24	50/60 Hz	0.22	1373D62G04	T2
48	50/60 Hz	0.11	1373D62G05	T3
60	50/60 Hz	0.10	1373D62G06	T4
110	50 Hz	0.049	1373D62G07	T5
208	60 Hz	0.026	1373D62G08	T6
220	50 Hz	0.025	1373D62G09	T7
240	50/60 Hz	0.024	1373D62G10	T8
380	50 Hz	0.015	1373D62G11	T9
415	50 Hz	0.013	1373D62G12	T10
440	50 Hz	0.012	1373D62G13	T11
480	60 Hz	0.01	1373D62G14	T12

Instruction Leaflet/FRED Number 15553

**Note:** G-frame circuit breakers are factory sealed. Underwriters Laboratories, Inc., requires that internal accessories be installed at the factory.

Internal accessories are UL listed for factory installation under E7819.

Where local codes and standards permit and UL listing is not required, internal accessories can be field installed. Accessory installation should be done before the circuit breaker is mounted and connected.

- ① Includes 24 inch external pigtail leads, #18 AWG (16-.010).
- ② A maximum of two internal accessories may be mounted in a three-pole circuit breaker.
- ③ Suitable for mounting in left pole only of 3-pole breaker.

Undervoltage Release Mechanism

F-Frame

Electrical Rating Data①

50/60 Hz					Dc				
Supply Voltage	Dropout Voltage		Pickup Voltage	VA	Supply Voltage	Dropout Voltage		Pickup Voltage	VA
	Min.	Max.	Max.			Min.	Max.	Max.	
12	4.2	6.3	7.6	1.3 2.5	12	4.2	8.4	10.2	2.8
24	8.4	16.8	20.4	1.4	24	8.4	16.8	20.4	1.6
48 60	21.0	33.6	40.8	1.2 1.9	48 60	21.0	33.6	40.8	1.3 2.0
110 120 127	44.5	77.0	93.5	1.3 1.5 1.7	110 120 125	44.5	77.0	93.5	1.5 1.7 1.9
208 220 240	84.0	145.6	176.8	2.2 2.4 2.9	220 250 -	87.5 -	154.0 -	187.0 -	2.6 3.4 -
380 415 440 480	168.0	266.0	323.0	2.9 3.5 3.9 4.6	- - - -	- - - -	- - - -	- - - -	- - - -
525 550 600	210.0	367.0	446.0	4.3 4.8 5.8	- - -	- - -	- - -	- - -	- - -

**Note:** F-frame circuit breakers are factory sealed. Underwriters Laboratories, Inc., requires that internal accessories be installed at the factory.

Internal accessories are UL listed for factory installation under E7819.

Where local codes and standards permit and UL listing is not required, internal accessories can be field installed. Accessory installation should be done before the circuit breaker is mounted and connected.

Undervoltage Release Mechanism

Voltage Rating (Ac Freq = 50/60 Hz)	Factory Mounted (For F-Frame Breaker and F-Frame HMCP)				Field Mounted (F-Frame Breaker)		Field Mounted (F-Frame Breaker HMCP)	
	Connection Type and Location				Field Installation Kits②			
	18-inch Pigtail Leads		Terminal Block		Pigtail Leads	Terminal Block	Pigtail Leads	Terminal Block
	Same Side	Rear③	Opposite Side	Same Side				
	Suffix Numbers				Catalog Numbers			

Left-Pole Mounting Ac Ratings

12 Vac	U01	U02	U03	U04	UVH1LP02K	UVH1LT02K	MUVH1LP02K	MUVH1LT02K
24 Vac	U05	U06	U07	U08	UVH1LP03K	UVH1LT03K	MUVH1LP03K	MUVH1LT03K
48 Vac	U37	U38	U39	U40	UVH1LP22K	UVH1LT22K	MUVH1LP22K	MUVH1LT22K
60 Vac	U97	U98	U99	U100	UVH1LP24K	UVH1LT24K	MUVH1LP24K	MUVH1LT24K
110-127 Vac	U13	U14	U15	U16	UVH1LP08K	UVH1LT08K	MUVH1LP08K	MUVH1LT08K
208-240 Vac	U17	U18	U19	U20	UVH1LP11K	UVH1LT11K	MUVH1LP11K	MUVH1LT11K
380-480 Vac	U21	U22	U23	U24	UVH1LP15K	UVH1LT15K	MUVH1LP15K	MUVH1LT15K
525-600 Vac	U25	U26	U27	U28	UVH1LP18K	UVH1LT18K	MUVH1LP18K	MUVH1LT18K

Right-Pole Mounting Ac Ratings④⑤

12 Vac	U49	U50	U51	U52	UVH1RP02K	UVH1RT02K	MUVH1RP02K	MUVH1RT02K
24 Vac	U53	U54	U55	U56	UVH1RP03K	UVH1RT03K	MUVH1RP03K	MUVH1RT03K
48 Vac	U85	U86	U87	U88	UVH1RP22K	UVH1RT22K	MUVH1RP22K	MUVH1RT22K
60 Vac	U101	U102	U103	U104	UVH1RP24K	UVH1RT24K	MUVH1RP24K	MUVH1RT24K
110-127 Vac	U61	U62	U63	U64	UVH1RP08K	UVH1RT08K	MUVH1RP08K	MUVH1RT08K
208-240 Vac	U65	U66	U67	U68	UVH1RP11K	UVH1RT11K	MUVH1RP11K	MUVH1RT11K
380-480 Vac	U69	U70	U71	U72	UVH1RP15K	UVH1RT15K	MUVH1RP15K	MUVH1RT15K
525-600 Vac	U73	U74	U75	U76	UVH1RP18K	UVH1RT18K	MUVH1RP18K	MUVH1RT18K

Left-Pole Mounting Dc Ratings

12 Vdc	U29	U30	U31	U32	UVH1LP20K	UVH1LT20K	MUVH1LP20K	MUVH1LT20K
24 Vdc	U33	U34	U35	U36	UVH1LP21K	UVH1LT21K	MUVH1LP21K	MUVH1LT21K
48 Vdc	U37	U38	U39	U40	UVH1LP22K	UVH1LT22K	MUVH1LP22K	MUVH1LT22K
60 Vdc	U97	U98	U99	U100	UVH1LP24K	UVH1LT24K	MUVH1LP24K	MUVH1LT24K
110-127 Vdc	U41	U42	U43	U44	UVH1LP26K	UVH1LT26K	MUVH1LP26K	MUVH1LT26K
220-250 Vdc	U45	U46	U47	U48	UVH1LP28K	UVH1LT28K	MUVH1LP28K	MUVH1LT28K

Right-Pole Mounting Dc Ratings④⑤

12 Vdc	U77	U78	U79	U80	UVH1RP20K	UVH1RT20K	MUVH1RP20K	MUVH1RT20K
24 Vdc	U81	U82	U83	U84	UVH1RP21K	UVH1RT21K	MUVH1RP21K	MUVH1RT21K
48 Vdc	U85	U86	U87	U88	UVH1RP22K	UVH1RT22K	MUVH1RP22K	MUVH1RT22K
60 Vdc	U101	U102	U103	U104	UVH1RP22K	UVH1RT22K	MUVH1RP22K	MUVH1RT22K
110-127 Vdc	U89	U90	U91	U92	UVH1RP26K	UVH1RT26K	MUVH1RP26K	MUVH1RT26K
220-250 Vdc	U93	U94	U95	U96	UVH1RP28K	UVH1RT28K	MUVH1RP28K	MUVH1RT28K

Instruction Leaflet/FRED Number 29C160 and 29C179 (HMCP)

① Endurance: 6000 electrical operations plus 4000 mechanical operations.

② Not listed with Underwriters Laboratories, Inc., for field installation.

③ Standard pigtail lead exit location.

④ Standard mounting location.

⑤ Not for use on right pole of 4-pole circuit breaker.

Undervoltage Release Mechanism

J-Frame

Electrical Rating Data ①②

50/60 Hz					Dc				
Supply Voltage	Dropout Voltage		Pickup Voltage	VA	Supply Voltage	Dropout Voltage		Pickup Voltage	VA
	Min.	Max.	Max.			Min.	Max.	Max.	
12	4.2	8.4	10.2	1.9	12	4.2	8.4	10.2	1.6
24	8.4	16.8	20.4	3.9	24	8.4	16.8	20.4	3.1
48 60	21.0	33.6	40.8	2.5 3.8	48 60	21.0	33.6	40.8	2.0 3.1
110 120 127	44.5	77.0	93.5	1.8 2.1 2.4	110 120 125	44.5	77.0	93.5	1.6 1.9 2.2
208 220 240	85.0	145.6	176.8	2.7 3.1 3.8	220 250 -	87.5	154.0	187.0	3.1 4.0 -
380 415 440 480	168.0	266.0	323.0	3.4 4.0 4.6 5.4	- - - -	- - - -	- - - -	- - - -	- - - -

Undervoltage Release Mechanism

Voltage Rating (Ac Freq = 50/60 Hz)	Factory Mounted				Field Mounted	
	Connection Type and Location				Field Installation Kits③	
	18-inch Pigtail Leads			Terminal Block②	Pigtail Leads	Terminal Block④
	Same Side	Rear③	Opposite Side			
	Suffix Numbers				Catalog Numbers	

Left-Pole Mounting Ac Ratings⑤

12 Vac	U05	U06	U07	U08	UVH2LP02K	UVH2LT02K
24 Vac	U09	U10	U11	U12	UVH2LP03K	UVH2LT03K
48-60 Vac	U13	U14	U15	U16	UVH2LP05K	UVH2LT05K
110-127 Vac	U17	U18	U19	U20	UVH2LP08K	UVH2LT08K
208-240 Vac	U21	U22	U23	U24	UVH2LP11K	UVH2LT11K
380-480 Vac	U25	U26	U27	U28	UVH2LP15K	UVH2LT15K

Right-Pole Mounting Ac Ratings④

12 Vac	U37	U38	U39	U40	UVH2RP02K	UVH2RT02K
24 Vac	U41	U42	U43	U44	UVH2RP03K	UVH2RT03K
48-60 Vac	U45	U46	U47	U48	UVH2RP05K	UVH2RT05K
110-127 Vac	U49	U50	U51	U52	UVH2RP08K	UVH2RT08K
208-240 Vac	U53	U54	U55	U56	UVH2RP11K	UVH2RT11K
380-480 Vac	U57	U58	U59	U60	UVH2RP15K	UVH2RT15K

Left-Pole Mounting Dc Ratings⑤

12 Vdc	T01	T02	T03	T04	UVH2LP20K	UVH2LT20K
24 Vdc	T05	T06	T07	T08	UVH2LP21K	UVH2LT21K
48-60 Vdc	T09	T10	T11	T12	UVH2LP23K	UVH2LT23K
110-127 Vdc	T13	T14	T15	T16	UVH2LP26K	UVH2LT26K
220-250 Vdc	T17	T18	T19	T20	UVH2LP28K	UVH2LT28K

Right-Pole Mounting Dc Ratings④

12 Vdc	T21	T22	T23	T24	UVH2RP20K	UVH2RT20K
24 Vdc	T25	T26	T27	T28	UVH2RP21K	UVH2RT21K
48-60 Vdc	T29	T30	T31	T32	UVH2RP23K	UVH2RT23K
110-127 Vdc	T33	T34	T35	T36	UVH2RP26K	UVH2RT26K
220-250 Vdc	T37	T38	T39	T40	UVH2RP28K	UVH2RT28K

Instruction Leaflet/FRED Number 29C163

- ① Endurance: 6000 electrical operations plus 2000 mechanical operations.
- ② For electrical rating data for manual, automatic and electrical reset undervoltage release mechanisms, refer to Cutler-Hammer.
- ③ Listed with Underwriters Laboratories, Inc. for field installation under E64983.
- ④ Not for use on right pole of 4-pole circuit breakers.
- ⑤ Standard mounting location – leads exit rear of breaker.



## Undervoltage Release Mechanism

### K-Frame

### Electrical Rating Data ①

50/60 Hz					Dc				
Supply Voltage	Dropout Voltage		Pickup Voltage	VA	Supply Voltage	Dropout Voltage		Pickup Voltage	VA
	Min.	Max.	Max.			Min.	Max.	Max.	
12	4.2	8.4	10.2	1.9	12	4.2	8.4	10.2	1.6
24	8.4	16.8	20.4	3.9	24	8.4	16.8	20.4	3.1
48 60	21.0	33.6	40.8	2.5 3.8	48 60	21.0	33.6	40.8	2.0 3.1
110 120 127	44.5	77.0	93.5	1.8 2.1 2.4	110 120 125	44.5	77.0	93.5	1.6 1.9 2.2
208 220 240	85.0	145.6	176.8	2.7 3.1 3.8	220 250 —	87.5	154.0	187.0	3.1 4.0 —
380 415 440 480	168.0	266.0	323.0	3.4 4.0 4.6 5.4	— — — —	— — — —	— — — —	— — — —	— — — —

### Undervoltage Release Mechanism

Voltage Rating (Ac Freq = 50/60 Hz)	Factory Mounted				Field Mounted	
	Connection Type and Location				Field Installation Kits <sup>②</sup>	
	18-inch Pigtail Leads			Terminal Block	Pigtail Leads	Terminal Block
	Same Side	Rear <sup>③</sup>	Opposite Side	Same Side		
	Suffix Numbers				Catalog Numbers	

#### Left-Pole Mounting Ac Ratings<sup>③</sup>

12 Vac	U05	U06	U07	U08	UVH3LP02K	UVH3LT02K
24 Vac	U09	U10	U11	U12	UVH3LP03K	UVH3LT03K
48-60 Vac	U13	U14	U15	U16	UVH3LP05K	UVH3LT05K
110-127 Vac	U17	U18	U19	U20	UVH3LP08K	UVH3LT08K
208-240 Vac	U21	U22	U23	U24	UVH3LP11K	UVH3LT11K
380-480 Vac	U25	U26	U27	U28	UVH3LP15K	UVH3LT15K

#### Right-Pole Mounting Ac Ratings<sup>④⑤</sup>

12 Vac	U37	U38	U39	U40	UVH3RP02K	UVH3RT02K
24 Vac	U41	U42	U43	U44	UVH3RP03K	UVH3RT03K
48-60 Vac	U45	U46	U47	U48	UVH3RP05K	UVH3RT05K
110-127 Vac	U49	U50	U51	U52	UVH3RP08K	UVH3RT08K
208-240 Vac	U53	U54	U55	U56	UVH3RP11K	UVH3RT11K
380-480 Vac	U57	U58	U59	U60	UVH3RP15K	UVH3RT15K

#### Left-Pole Mounting Dc Ratings<sup>③</sup>

12 Vdc	T01	T02	T03	T04	UVH3LP20K	UVH3LT20K
24 Vdc	T05	T06	T07	T08	UVH3LP21K	UVH3LT21K
48-60 Vdc	T09	T10	T11	T12	UVH3LP23K	UVH3LT23K
110-127 Vdc	T13	T14	T15	T16	UVH3LP26K	UVH3LT26K
220-250 Vdc	T17	T18	T19	T20	UVH3LP28K	UVH3LT28K

#### Right-Pole Mounting Dc Ratings<sup>④⑤</sup>

12 Vdc	T21	T22	T23	T24	UVH3RP20K	UVH3RT20K
24 Vdc	T25	T26	T27	T28	UVH3RP21K	UVH3RT21K
48-60 Vdc	T29	T30	T31	T32	UVH3RP23K	UVH3RT23K
110-127 Vdc	T33	T34	T35	T36	UVH3RP26K	UVH3RT26K
220-250 Vdc	T37	T38	T39	T40	UVH3RP28K	UVH3RT28K

Instruction Leaflet/FRED Number 29C166

- ① Endurance: 5,000 electrical operations plus 1,000 mechanical operations
- ② Listed with Underwriters Laboratories, Inc., for field installation under E64983.
- ③ Standard mounting location — leads exit rear of breaker.
- ④ For use with KT (thermal-magnetic) trip units only.
- ⑤ Not for use on right pole of 4-pole circuit breaker.

Undervoltage Release Mechanism

L- and M-Frames

Electrical Rating Data ①

50/60 Hz					Dc				
Supply Voltage	Dropout Voltage		Pickup Voltage	VA	Supply Voltage	Dropout Voltage		Pickup Voltage	VA
	Min.	Max.	Max.			Min.	Max.	Max.	
12	4.2	8.4	10.2	1.9	12	4.2	8.4	10.2	1.6
24	8.4	16.8	20.4	3.9	24	8.4	16.8	20.4	3.1
48 60	21.0	33.6	40.8	2.5 3.8	48 60	21.0	33.6	40.8	2.0 3.1
110 120 127	44.5	77.0	93.5	1.8 2.1 2.4	110 120 125	44.5	77.0	93.5	1.6 1.9 2.2
208 220 240	85.0	145.6	176.8	2.7 3.1 3.8	220 250 —	87.5	154.0	187.0	3.1 4.0 —
380 415 440 480	168.0	266.0	323.0	3.4 4.0 4.6 5.4	— — — —	— — — —	— — — —	— — — —	— — — —

Undervoltage Release Mechanism

Voltage Rating (Ac Freq = 50/60 Hz)	Factory Mounted				Field Mounted	
	Connection Type and Location				Field Installation Kits <sup>②</sup>	
	18-inch Pigtail Leads			Terminal Block	Pigtail Leads	Terminal Block
	Same Side	Rear <sup>③</sup>	Opposite Side	Same Side		
	Suffix Numbers				Catalog Numbers	

Left-Pole Mounting Ac Ratings<sup>③</sup>

12 Vac	U05	U06	U07	U08	UVH4LP02K	UVH4LT02K
24 Vac	U09	U10	U11	U12	UVH4LP03K	UVH4LT03K
48-60 Vac	U13	U14	U15	U16	UVH4LP05K	UVH4LT05K
110-127 Vac	U17	U18	U19	U20	UVH4LP08K	UVH4LT08K
208-240 Vac	U21	U22	U23	U24	UVH4LP11K	UVH4LT11K
380-480 Vac	U25	U26	U27	U28	UVH4LP15K	UVH4LT15K

Right-Pole Mounting Ac Ratings<sup>④⑤</sup>

12 Vac	U37	U38	U39	U40	UVH4RP02K	UVH4RT02K
24 Vac	U41	U42	U43	U44	UVH4RP03K	UVH4RT03K
48-60 Vac	U45	U46	U47	U48	UVH4RP05K	UVH4RT05K
110-127 Vac	U49	U50	U51	U52	UVH4RP08K	UVH4RT08K
208-240 Vac	U53	U54	U55	U56	UVH4RP11K	UVH4RT11K
380-480 Vac	U57	U58	U59	U60	UVH4RP15K	UVH4RT15K

Left-Pole Mounting Dc Ratings<sup>③</sup>

12 Vdc	T01	T02	T03	T04	UVH4LP20K	UVH4LT20K
24 Vdc	T05	T06	T07	T08	UVH4LP21K	UVH4LT21K
48-60 Vdc	T09	T10	T11	T12	UVH4LP23K	UVH4LT23K
110-127 Vdc	T13	T14	T15	T16	UVH4LP26K	UVH4LT26K
220-250 Vdc	T17	T18	T19	T20	UVH4LP28K	UVH4LT28K

Right-Pole Mounting Dc Ratings<sup>④⑤</sup>

12 Vdc	T21	T22	T23	T24	UVH4RP20K	UVH4RT20K
24 Vdc	T25	T26	T27	T28	UVH4RP21K	UVH4RT21K
48-60 Vdc	T29	T30	T31	T32	UVH4RP23K	UVH4RT23K
110-127 Vdc	T33	T34	T35	T36	UVH4RP26K	UVH4RT26K
220-250 Vdc	T37	T38	T39	T40	UVH4RP28K	UVH4RT28K

Instruction Leaflet/FRED Number 29C170

- ① Endurance: 5000 electrical operations plus 1000 mechanical operations
- ② Listed with Underwriters Laboratories, Inc. for field installation under E64983.
- ③ Standard mounting location — leads exit rear of breaker.
- ④ For use with LT (thermal-magnetic) trip units only.
- ⑤ Not for use on right pole of 4-pole circuit breaker.

**Undervoltage Release Mechanism**
**N-Frame**
**Electrical Rating Data ①**

50/60 Hz					Dc				
Supply Voltage	Dropout Voltage		Pickup Voltage	VA	Supply Voltage	Dropout Voltage		Pickup Voltage	VA
	Min.	Max.	Max.			Min.	Max.	Max.	
12	4.2	8.4	10.2	1.9	12	4.2	8.4	10.2	1.6
24	8.4	16.8	20.4	3.9	24	8.4	16.8	20.4	3.1
48 60	21.0	33.6	40.8	2.5 3.8	48 60	21.0	33.6	40.8	2.0 3.1
110 120 127	44.5	77.0	93.5	1.8 2.1 2.4	110 120 125	44.5	77.0	93.5	1.6 1.9 2.2
208 220 240	84.0	145.6	176.8	2.7 3.1 3.8	220 250	87.5	154.0	187.0	3.1 4.0
380 415 480 500	175.0	266.0	323.0	3.4 4.0 4.6 5.4	– – – –	– – – –	– – – –	– – – –	– – – –

**Undervoltage Release Mechanism**

Voltage Rating (Ac Freq = 50/60 Hz)	Factory Mounted				Field Mounted	
	Connection Type and Location				Field Installation Kits <sup>②</sup>	
	18-inch Pigtail Leads			Terminal Block	Pigtail Leads	Terminal Block
	Same Side	Rear <sup>③</sup>	Opposite Side	Same Side		
	Suffix Numbers				Catalog Numbers	

**Left-Pole Mounting Ac Ratings<sup>③</sup>**

12 Vac	<b>U05</b>	<b>U06</b>	<b>U07</b>	<b>U08</b>	<b>UVH5LP02K</b>	<b>UVH5LT02K</b>
24 Vac	<b>U09</b>	<b>U10</b>	<b>U11</b>	<b>U12</b>	<b>UVH5LP03K</b>	<b>UVH5LT03K</b>
48-60 Vac	<b>U13</b>	<b>U14</b>	<b>U153</b>	<b>U16</b>	<b>UVH5LP05K</b>	<b>UVH5LT05K</b>
110-127 Vac	<b>U17</b>	<b>U18</b>	<b>U19</b>	<b>U20</b>	<b>UVH5LP08K</b>	<b>UVH5LT08K</b>
208-240 Vac	<b>U21</b>	<b>U22</b>	<b>U23</b>	<b>U24</b>	<b>UVH5LP11K</b>	<b>UVH5LT11K</b>
380-480 Vac	<b>U25</b>	<b>U26</b>	<b>U27</b>	<b>U28</b>	<b>UVH5LP29K</b>	<b>UVH5LT29K</b>

**Left-Pole Mounting Dc Ratings<sup>③</sup>**

12 Vdc	<b>T01</b>	<b>T02</b>	<b>T03</b>	<b>T04</b>	<b>UVH5LP20K</b>	<b>UVH5LT20K</b>
24 Vdc	<b>T05</b>	<b>T06</b>	<b>T07</b>	<b>T08</b>	<b>UVH5LP21K</b>	<b>UVH5LT21K</b>
48-60 Vdc	<b>T09</b>	<b>T10</b>	<b>T11</b>	<b>T12</b>	<b>UVH5LP23K</b>	<b>UVH5LT23K</b>
110-127 Vdc	<b>T13</b>	<b>T14</b>	<b>T15</b>	<b>T16</b>	<b>UVH5LP26K</b>	<b>UVH5LT26K</b>
220-250 Vdc	<b>T17</b>	<b>T18</b>	<b>T19</b>	<b>T20</b>	<b>UVH5LP28K</b>	<b>UVH5LT28K</b>

Instruction Leaflet/FRED Number 29C174

① Endurance: 3000 electrical operations plus 1000 mechanical operations.

② Listed with Underwriters Laboratories, Inc. for field installation under E64983.

③ Standard mounting location – leads exit rear of breaker.

Undervoltage Release Mechanism

R-Frame

Ac Undervoltage Release Mechanism (Handle Reset) Ratings<sup>①②</sup>

Catalog Suffix	Application Ratings Voltage (V)	Electrical Operating Ratings				Approximate Operating Time (ms)				
		Supply Voltage (V)	Dropout Voltage (V) Min.	Max.	Pickup Voltage (V) Max.	VA	Min. <sup>③</sup> UVR Response	Initiation <sup>④</sup> Circuit Breaker Contact Separation	Maximum Circuit Breaker Contact Opening	Dielectric <sup>⑤</sup> Withstand Voltage (V)
02/02K	12	12	4.2	8.4	10.2	2.3	5	46	77	1024
03/03K	24	24	8.4	16.8	20.4	3.1	5	46	77	1048
05/05K	48-60	48 60	21.0	33.5	40.8	3.4 6.0	5	46	77	1120
08/08K	110-127	110 120 127	44.5	77.0	93.5	3.3 3.6 3.8	5	46	77	1254
11/11K	208-240	208 220 240	84.0	145.6	176.8	4.2 6.6 7.2	5	46	77	1480
29/29K	380-500	380 415 440 480 500	168.0	266.0	323.0	3.8 8.3 8.8 9.6 10.0	5	46	77	2000

Dc Undervoltage Release Mechanism (Handle Reset) Ratings<sup>①②</sup>

Catalog Suffix	Application Ratings Voltage (V)	Electrical Operating Ratings				Approximate Operating Time (ms)				
		Supply Voltage (V)	Dropout Voltage (V) Min.	Max.	Pickup Voltage (V) Max.	VA	Min. <sup>③</sup> UVR Response	Initiation <sup>④</sup> Circuit Breaker Contact Separation	Maximum Circuit Breaker Contact Opening	Dielectric <sup>⑤</sup> Withstand Voltage (V)
20/20K	12	12	4.2	8.4	10.2	3.4	5	46	77	1024
21/21K	24	24	8.4	16.8	20.4	4.3	5	46	77	1048
23/23K	48-60	48 60	21.0	33.5	40.8	4.8 7.2	5	46	77	1120
26/26K	110-127	110 120 125	43.8	77.0	93.5	3.3 3.6 3.8	5	46	77	1250
28/28K	220-250	220 250	87.5	154.0	187.0	6.6 7.5	5	46	77	1500

Undervoltage Release Mechanism (RH only)

Voltage Rating (Ac Freq = 50/60 Hz)	Factory Mounted	Field Mounted
	Connection Type and Location	Field Installation Kits <sup>①</sup>
	18-inch Pigtail Leads	Pigtail Leads
	Suffix Numbers <sup>②</sup>	Catalog Numbers <sup>②</sup>
12 Vac	U37	UVH6RP02K
24 Vac	U41	UVH6RP03K
48-60 Vac	U45	UVH6RP05K
110-127 Vac	U49	UVH6RP08K
208-240 Vac	U53	UVH6RP11K
380-500 Vac	U57	UVH6RP29K
12 Vdc	T21	UVH6RP20K
24 Vdc	T25	UVH6RP21K
48-60 Vdc	T29	UVH6RP23K
110-125 Vdc	T33	UVH6RP26K
220-250 Vdc	T37	UVH6RP28K

Instruction Leaflet/FRED Number 29C178

- ① Endurance – 500 electrical operations plus 2500 mechanical operations.
- ② Pigtail wire size – No. 18 AWG (0.82 mm<sup>2</sup>). Leads are orange and brown.
- ③ UVR will override a momentary voltage dip up to the response time shown.
- ④ Unlatching occurs 1 millisecond before circuit breaker contacts begin to separate.
- ⑤ For 1 minute.

## Accessory Terminal Block/Cutler-Hammer PowerNet Communications Kit (OPTIM 550 only)

### Accessory Terminal Block (R-Frame)

(For Fixed Mounted Configuration)



#### General Information

Internal accessory wiring leads are normally supplied with pigtail leads (No. 18 AWG) that exit from the right side of the circuit breaker. Where specified, fixed mounted accessory terminal blocks are available. A maximum of one 24-point terminal block can be installed on the right side of the circuit breaker for the internal accessories.

For convenience in determining the appropriate number of terminal block points required, refer to table at right.

#### Number of Control Wires For Each Internally Mounted Accessories

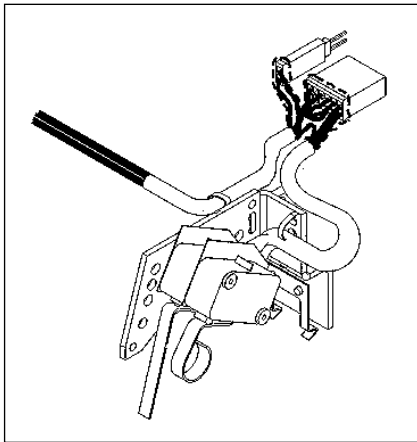
Type of Accessory	Number of Contacts Per Single Accessory	Required Number of Wires
Auxiliary Switch	2a/2b	6
	4a/4b	12
Alarm (Signal)/ Lockout Switch	1m/1b	6
	2m/2b	12
Shunt Trip	N/A	2
Low Energy Shunt	N/A	2
Undervoltage Release Mechanism	N/A	2

#### Ordering Information<sup>①</sup>

Factory Installed	Field Mounted
Suffix Number	Catalog Number
Q01	TBRDK

Instruction Leaflet/FRED Number 29C312

## Cutler-Hammer PowerNet Communications Kit (OPTIM 550 only) K-, L-, and N-Frames



#### General Information

The Cutler-Hammer PowerNet Communications Kit can be ordered to add Cutler-Hammer PowerNet communications to an existing OPTIM 550 breaker in the field. An 18-inch wiring pigtail is routed to the rear of the breaker: two wires for Cutler-Hammer PowerNet and two wires for 24V Dc (45 mA load). It is recommended that the power supply be an "isolated high quality" unit.

#### Ordering Information

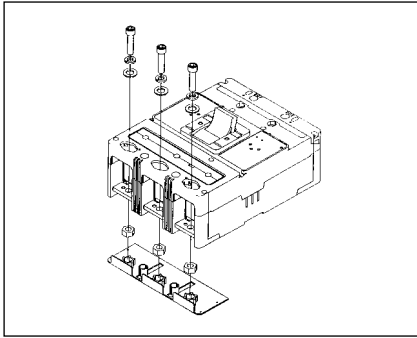
##### Cutler-Hammer PowerNet Communications Kit

Circuit Breaker	Catalog Numbers
K-Frame L-Frame N-Frame	ICK550K ICK550L ICK550N

Instruction Leaflet/FRED Number 29C506, 29C897, 29C898

<sup>①</sup> One 24-point accessory terminal block provided with circuit breaker when ordered factory installed or shipped from warehouse as separate item when ordered for field installation. See Digitrip RMS master connection diagram (IL 29C714).

**Endcap Kit**



The endcap kit slides onto the line or load conductor of the circuit breaker and acts as a threaded adapter for the conductor to accept a ring terminal or other bolt-on connector. The endcap kit is available with English and metric thread sizes. Screws and washers are supplied by customer. (Field installation only.) Listed per UL File E7819.

**Ordering Information**

Thread Type	Thread Size	Catalog Number
		Package of 12 (Priced Individually)

**F-Frame**

Imperial	10-32	<b>KPEK1</b>
Metric	M-5	<b>KPEK1M</b>

**J-Frame**

Imperial	10-32	<b>KPEK2</b>
Metric	M-5	<b>KPEK2M</b>

**K-Frame**

Imperial	10-32	<b>KPEK3</b>
Metric	M-5	<b>KPEK3M</b>

**L-Frame**

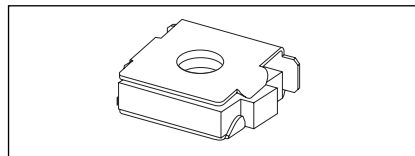
Imperial	10-32	<b>KPEK4</b>
Metric	M-5	<b>KPEK4M</b>

**Keeper Nut**

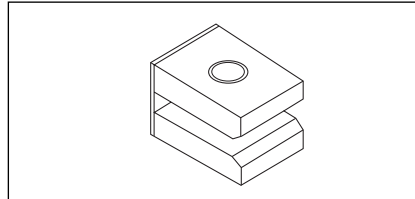
The keeper nut slides onto the line or load conductor of the circuit breaker and acts as a threaded adapter for the conductor to accept a ring terminal or other bolt-on connector. The keeper nut is available with English and metric thread sizes. Screws and washers are supplied by customer. (Field installation only.) Listed per UL File E7819.

**Ordering Information**

**F-Frame**



Thread Type	Thread Size	Catalog Number
		Package of 12 (Priced Individually)
Imperial	10-32	<b>KPR1A</b>
Metric	M-5	<b>KPR1AM</b>



**K-Frame**

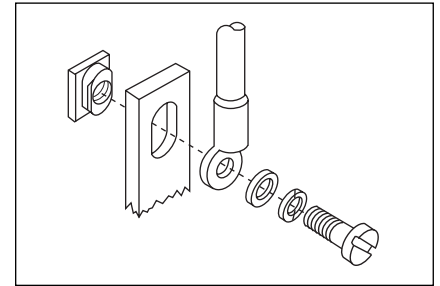
Thread Type	Thread Size	Line/Load End	Catalog Number Package of 3
Imperial	.375-16	Line Load	<b>KPR3A</b> <b>KPR3B</b>
Metric	M-8	Line Load	<b>KPR3AM</b> <b>KPR3BM</b>

**L-, M-, N-Frames**

Not required. Terminals are threaded.

**Plug Nut**

**J-Frame**



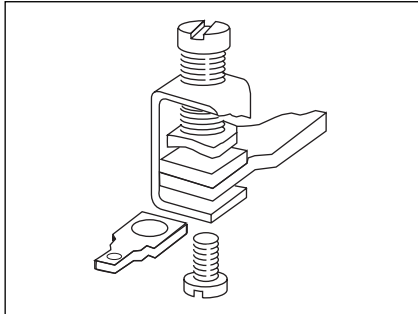
The plug nut is used in applications where screw-connected ring-type terminals are preferred to circuit breaker conductors. The plug nut is press-fit into the opening in the circuit breaker terminal conductor. Screws and washers are supplied by customer.

**Ordering Information**

Thread Type	Thread Size	Catalog Number Package of 6
Imperial	.250-20	<b>PLN2</b>
Metric	M-6	<b>PLN2M</b>

### Control Wire Terminal Kit

#### F-Frame



The control wire terminal kit provides a means to tap off control power from a main disconnect using the provided male end of a quick disconnect.

For use with steel or stainless steel<sup>①</sup> terminals only.

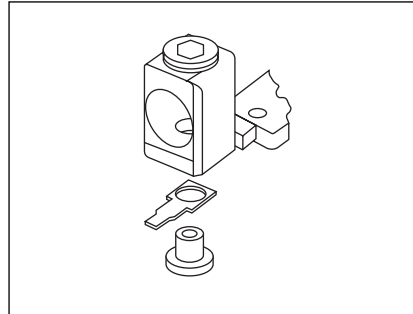
#### Ordering Information

Package of 12 control wire terminal tangs. Terminals must be ordered separately. Priced individually.

Catalog Number
<b>FCWTK</b>

#### J- and K-Frames

Not for use with T250KB terminals.



#### Ordering Information

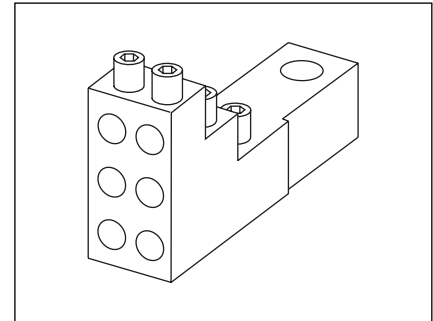
Package of 12 control wire terminal tangs. Terminals must be ordered separately. Priced individually.

Catalog Number
<b>KCWTK</b>

#### L-Frame

AWG Wire Range/Number Conductors	Metric Wire Range mm <sup>2</sup>	Catalog Number
Al/Cu (2) 250 – 350 kcmil	120-150	<b>TA602LDCW</b> <sup>②</sup>
Cu (2) 3/0 – 350 kcmil	120-150	<b>T602LDCW</b> <sup>②</sup>
Al/Cu (2) 400 – 500 kcmil	185-240	<b>2TA603LDCW</b> <sup>①</sup> 2-Pole Kit
Al/Cu (2) 400 – 500 kcmil	185-240	<b>3TA603LDCW</b> <sup>①</sup> 3-Pole Kit
Al/Cu (2) 400 – 500 kcmil	185-240	<b>4TA603LDCW</b> <sup>①</sup> 4-Pole Kit

### Multi-Wire Connectors



Field-installed multi-wire connectors for the load side (OFF) end terminals. They are used to distribute the load from the circuit breaker to multiple devices without the use of separate distribution terminal blocks.

Multi-wire lug kits include mounting hardware, insulators and tin-plated aluminum connectors to replace three mechanical load lugs. UL listed for copper only as used on the load side (OFF) end.

#### Ordering Information

Package of 3.

Maximum Amperes	Wires Per Terminal	Wire Size Range AWG Cu	Kit Catalog Number
-----------------	--------------------	------------------------	--------------------

#### F-Frame

225	3	#14-2	<b>3TA150F3K</b>
225	6	#14-6	<b>3TA150F6K</b>

#### J-Frame

225	3	#14-2	<b>3TA250J3K</b>
225	6	#14-6	<b>3TA250J6K</b>

#### K-Frame

400	3	#12-2/0	<b>3TA400K3K</b>
400	6	#14-2/0	<b>3TA400K6K</b>

<sup>①</sup> Terminal kits contain one terminal for each pole and one terminal cover.

<sup>②</sup> Individually packed.

Base Mounting Hardware

Base Mounting Hardware

Ordering Information

Hardware for surface mounting of circuit breakers is supplied only on request. Hardware consists of mounting screws and lockwashers. Order hardware for circuit breaker pole configurations as required.

Screw Length	Style Number
--------------	--------------

G-Frame

2.625 (66.7 mm)	624B375G23
3.000 (76.2 mm)	8703C80G05

Imperial Thread

Number of Poles	Description	Type of Mounting	Style / Catalog Number	Number of Poles	Description	Type of Mounting	Style / Catalog Number
<b>F-Frame</b>							
1	.164-32 x 3.188 inch Pan-Head Steel Screws, Lockwashers, and Clamps	Individual Group (one set of hardware for two circuit breakers)	624B375G01 624B375G02	1	M4 - 0.7 x 80 mm Pan-Head Steel Screws, Lockwashers, and Clamps	Individual Group (one set of hardware for two circuit breakers)	4218B80G09 4218B80G10
2	.164-32 x 1.5 inch Pan-Head Steel Screws and Lockwashers	Individual	4218B80G01	2	M4 - 0.7 x 38 mm Pan-Head Steel Screws and Lockwashers	Individual	4218B80G11
3, 4	.164-32 x 1.5 inch Pan-Head Steel Screws and Lockwashers	Individual	BMH1	3, 4	M4 - 0.7 x 38 mm Pan-Head Steel Screws and Lockwashers	Individual	BMH1M

Metric Thread

J-Frame

2, 3, 4	0.250-20 x 2.75 inch Pan-Head Steel Screws and Lockwashers	Individual	BMH2	2, 3, 4	M6 - 0.7 x 70mm Pan-Head Steel Screws and Lockwashers	Individual	BMH2M
---------	--	------------	------	---------	---	------------	-------

K-Frame

2, 3, 4	0.250-20 x 1.5 inch Pan-Head Steel Screws and Lockwashers	Individual	BMH3	2, 3, 4	M6 - 0.7 x 38mm Pan-Head Steel Screws and Lockwashers	Individual	BMH3M
---------	---	------------	------	---------	---	------------	-------

L-Frame

2, 3, 4	0.250-20 x 1.5 inch Filister-Head Steel Screws and Lockwashers and Flat Washers	Individual	BMH4	2, 3	-	Individual	BMH4M
---------	---	------------	------	------	---	------------	-------

M-Frame

2, 3	0.3125-18 x 1.25 inch Filster-Head Steel Screws and Lockwashers and Flat Washers	Individual	BMH5	2, 3	-	Individual	BMH5M
------	--	------------	------	------	---	------------	-------

N-Frame

2, 3, 4	0.3125-18 x 1.25 inch Pan-Head Steel Screws and Lockwashers		BMH5	2, 3	-	Individual	BMH5M
---------	---	--	------	------	---	------------	-------

R-Frame

Supplied by customer							
----------------------	--	--	--	--	--	--	--



## Drawout Cassette

## Drawout Cassette



The drawout cassette is currently for use with the standard 3-pole 65 kA/480 Vac, 1600A and 2000A RD circuit breakers only. It consists of two separate components: the movable mechanism which is factory mounted to the circuit breaker frame (shown in figure) and the stationary mechanism which is housed in the cassette and shipped separately.

The drawout mechanism has four positions.

- Connected – The breaker is fully connected to the primary stabs and secondary contacts.
- Test – The breaker is not connected to the primary stab but is connected to the secondary contacts.
- Disconnected – Both the primary stabs and the secondary contacts are disconnected.
- Withdraw – The breaker can be removed from the cassette.

## Ordering Information

## RD Drawout Cassette

65 kA/480 Vac version

Description	Catalog Number
Movable Mechanism	<b>RD20DOM</b>
Stationary Mechanism	<b>RD20DOS</b> (without shutters) <b>RD20DOSS</b> (with shutters)

Instruction Leaflet/FRED Number 32697

**Note:** Movable mechanism must be ordered with RD or RDC circuit breaker and is shipped mounted to circuit breaker frame. Stationary mechanism is ordered separately.

All internal accessories must be factory installed for use with drawout.

## RD Drawout Cassette

100 kA/480 Vac version

Description	Catalog Number
Movable Mechanism	<b>RD20DOM</b>
Stationary Mechanism	<b>RD20DOS</b> (without shutters) <b>RD20DOSS</b> (with shutters)

Instruction Leaflet/FRED Number 32697

**Terminal Shields**

Terminal shields provide protection against accidental contact with live line side terminations. Terminal shields are fabricated from high dielectric insulating material and fasten over the front terminal access openings. Small openings in the shields provide limited access to the terminals for tightening connectors. (Field installation only.)

**Ordering Information**

**G-Frame**

**Terminal Shield**

Number Units in Package	Style Number
10	GTSK3

**J-Frame**



Number of Poles	Location	Style Number (Package of 10)
2, 3 4	Line End	1266C07G01 6631C01G01
2, 3 4	Load End	6641C16G01 6641C16G02

**L-Frame**



Style Number (Package of 1)
314CA420G01

**F-Frame**



Number of Poles	Location	Style Number	
		Standard (Package of 10) (Priced Individually)	Special - For use when electrical operator is mounted on circuit breaker
1	Line	625B229G06	—
2		625B229G07	—
3		625B229G08	4210B95G01
4		625B229G09	4210B95G02

**K-Frame**



Number of Poles	Location	Catalog Number (Package of 10)
2, 3	Line	TS33LN
4	Line	TS34LN
3	Load	TS33LD

**M-Frame**



Style Number (Package of 1)
4203B20G01

**Termination Hardware**
**Terminal End Covers**
**F-Frame**


The terminal end covers are designed for use in motor control center applications where, because of confined spaces, line side conductors are normally custom fitted. The molded end covers are made of high dielectric glass-polyester and slide over the line ends of the circuit breaker. Close fitting conductor openings are molded into the end covers. The end cover and circuit breaker case fit together to form terminal compartments that isolate discharged ionizing gases during circuit breaker tripping. Terminal end covers are available with two conductor opening diameters, 0.25 and 0.41 inch, and are listed per UL File E7819. (Field installation only.)

**Ordering Information**

The terminal end cover is available for 3-pole circuit breakers only. Two conductor opening sizes are available. Specify quantity (one per circuit breaker) when ordering.

Conductor Opening Diameter (Inches)	Catalog Number
0.25 (6.35 mm)	<b>TEC1</b>
0.41 (10.41 mm)	<b>TEC2</b>

**Interphase Barriers**

The interphase barriers provide additional electrical clearance between circuit breaker poles for special termination applications. The barriers are high dielectric insulating plates that are installed in the molded slots between the terminals. (Field installation only.) Two per package.



Frame	Catalog Number
F	<b>IPB1</b>
J	<b>IPB2</b>
K	<b>IPB3</b>
L	<b>IPB4</b>
M	<b>IPB4</b>
N	<b>IPB5</b>

Base Mounting Adapters

**Base Mounting Plate<sup>①</sup>**  
**G-Frame GD/GC/GHC**



**Ordering Information**

Number Units in Package	Style Number
1	207B513G01

**DIN Rail Adapter<sup>②③</sup>**  
**G-Frame GD/GC/GHC**

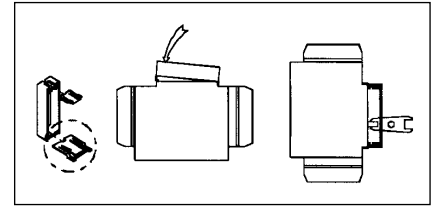


**Ordering Information**

Number Units in Package	Style Number
10	1225C79G01
10	1225C79G02 <sup>④</sup>

Instruction Leaflet/FRED Number 29C091

**Key Operated Attachment**  
**G-Frame GD/GC/GHC**



**Ordering Information**

Number Units in Package	Style Number
10	GK0A

Instruction Leaflet/FRED Number 29C090

- ① Suitable for mounting (6) single-pole circuit breakers.
- ② For use with standard 35 mm DIN Rail such as, 35 x 7.5 or 35 x 15 mm per DIN EN50022.
- ③ Adapter mounting screws included are for use with 2- and 3-pole circuit breakers. Adapters for 1-pole circuit breakers clip into the base molding.
- ④ For use on 3-pole breakers only.

Handle Locking and Blocking Devices

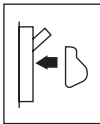
**Lock Dog (non-padlockable)**  
**G-Frame GD/GC/GHC/GB/**  
**GHB/GMCP**



**Ordering Information**

Number Units in Package	Style Number
1	1294C01H01

**Non-Padlockable  
Handle Block**



The nonlockable handle block secures the circuit breaker handle in either the ON or OFF position. (Trip-free operation allows the circuit breaker to trip when the handle block holds the circuit breaker handle in the ON position.) The device is positioned over the circuit breaker handle and secured by a setscrew to deter accidental operation of the circuit breaker handle. Listed per UL File E7819. (Field installation only.)

**Ordering Information**

Frame	Catalog Number
F	LKD1
J, K	LKD3
L, M, N	LKD4

**Padlockable Handle**  
**G-Frame GD/GC/GHC/GB/GHB**



**Ordering Information**

Number Units in Package	Style Number
10	1223C77G03

(Accepts .285 Lock Shank)

**Padlockable Handle Block**



The device is positioned in the cover opening to prevent handle movement. Will accommodate one 5/16 padlock.

**Ordering Information**

Frame	Catalog Number
J, K	PHB3

**Snap-On Padlockable  
Handle Lock Hasp**



The snap-on padlockable handle lock allows the handle to be locked in the OFF or ON position. (Trip-free operation allows the circuit breaker to trip when the handle lock holds the circuit breaker handle in the ON position.) This device was designed for use on the 1-pole circuit breaker, but may be used on 1-, 2-, 3-, and 4-pole styles. The handle lock snaps onto the escutcheon area of the handle with an optional retaining screw for added secureness. The handle lock will accommodate one padlock with a 1/4-inch (6 mm) shackle. Listed per UL File E7819. (Field installation only.)

**Ordering Information**

Frame	Catalog Number
F	PHB1

Handle Locking and Blocking Devices

Padlockable Handle Lock Hasp



The padlockable handle lock hasp allows the handle to be locked in the ON or OFF position. (Trip-free operation allows the circuit breaker to trip when the handle lock holds the circuit breaker handle in the ON position.) The hasp mounts on the circuit breaker cover within the trimline. The cover is predrilled on both sides of the operating handle so that the hasp can be mounted on either side of the handle. The hasp will accommodate up to three padlocks with 1/4-inch (6 mm) shackles. Listed per UL File E7819. (Field installation only.)

The padlockable handle lock can be mounted on either side of the operating handle. One per circuit breaker. (Field installation only.)

Ordering Information

Description	Catalog Number
-------------	----------------

F-Frame

1-pole breakers	PHL1
2-, 3-, 4-pole breakers	PLK1

Instruction Leaflet/FRED Number 29C230

J, K-Frames

2-, 3-, 4-pole breakers	PLK3
For Left Side Mounting	PLK3LOFF①
For Right Side Mounting	PLK3ROFF①

Instruction Leaflet/FRED Number 29C232

L-Frame

Side Mounted	
Lock On or Off	HLK4
Lock Off Only (Left-Hand Mount)	HLK4LOFF①

Instruction Leaflet/FRED Number 29C234

Top Mounted	
Lock On or Off	HLK4S
Lock Off Only	HLK4SOFF①

Instruction Leaflet/FRED Number 29C234C

M-Frame

Lock On or Off	HLK4
Lock Off Only (Left-Hand Mount)	HLK4LOFF①

Instruction Leaflet/FRED Number 29C234

Vertical Mounting	
Lock On/Off	HLK45
Lock Off Only	HLK45OFF

Instruction Leaflet/FRED Number 29C234C

N-Frame

Side Mounted	PLK5
--------------	------

Instruction Leaflet/FRED Number 29C234

Top Mounted (On/Off)	PLK5S
Top Mounted (Off Only)	PLK5SOFF①

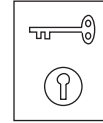
Instruction Leaflet/FRED Number 29C234C

R-Frame

Lock On/Off	HLK6
Lock Off Only	HLK6OFF①

Instruction Leaflet/FRED Number 29C240

Cylinder Lock



The cylinder lock internally blocks the trip bar in the tripped position to prevent the circuit breaker from being switched to ON. The cylinder lock is factory installed in the circuit breaker cover. Other internally mounted accessories cannot be installed in the same pole as the cylinder lock. (Factory installation only.)

The cylinder lock is factory installed in the left pole only of the circuit breaker cover. Internal accessories cannot be installed in the same pole as the cylinder lock.

Ordering Information

Frames	Catalog Number
F, J, K	Order by description

① For padlockable handle lock hasp to padlock handle in OFF position only order either catalog number.

## Mechanical Interlocking Devices

### Key Interlock Kit

(Lock Not Included)



The key interlock is used to externally lock the circuit breaker handle in the OFF position. When the key interlock is locked, an extended deadbolt blocks movement of the circuit breaker handle. Uniquely coded keys are removable only with the deadbolt extended. Each coded key controls a group of circuit breakers for a given specific customer installation.

The key interlock assembly is Underwriters Laboratories, Inc., listed for field installation under UL file E7819 and consists of a mounting kit and a purchaser supplied deadbolt lock. The mounting kit comprises a mounting plate, which is secured to the circuit breaker cover in either the left- or right-pole position, key interlock mounting screws, and a wire seal. Specific mounting kits are required for individual key interlock types.

### Ordering Information

Key interlock mounting kits are for field installation only. Select mounting kit catalog numbers to match type of lock used. Key interlocks are supplied by customer.

Lock Manufacturer	Lock Type	Bolt Projection in Withdrawn Position	Kit Catalog Number
-------------------	-----------	---------------------------------------	--------------------

#### F-Frame

Superior	B-4003-1	3/8 inch	<b>KYK1</b>
Kirk	F	3/8 inch	
Square D	SF	None	
Federal Pioneer	VF	3/8 inch	
Castell	K or QK	3/8 inch	<b>CTK1</b>

Instruction Leaflet/FRED Number 29C231

#### J-, K-Frames

Superior	B-4003-1	3/8 inch	<b>KYK3</b>
Kirk	F	3/8 inch	
Square D	SF	None	
Federal Pioneer	VF	3/8 inch	
Castell	K or QK	3/8 inch	

Instruction Leaflet/FRED Number 29C233

#### L-, M-, N-Frames

Superior	B-4003-1	3/8 inch	<b>KYK4</b>
Kirk	F	3/8 inch	
Square D	SF	None	
Federal Pioneer	VF	3/8 inch	
Castell	K or QK	3/8 inch	<b>CTK4</b>

Instruction Leaflet/FRED Number 29C235

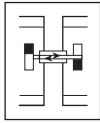
#### R-Frame

Superior	B-4003-1	1 inch	<b>KYK6</b>
Kirk	F	1 inch	
Square D	SF	1 inch	
Federal Pioneer	VF	1 inch	
Castell	K or QK	1 inch	<b>CTK6</b>

Instruction Leaflet/FRED Number 29C240

Mechanical Interlocking Devices

Sliding Bar Interlock



The sliding bar interlock provides mechanical interlocking between two adjacent 3-pole circuit breakers. It is installed on the enclosure cover between the circuit breakers. When the sliding bar interlock handle is moved from one side to the other, a bar extends to alternately block movement of the circuit breaker handles and prevents both circuit breakers from being switched to ON at the same time. Sliding bar interlocks are not UL listed. (Field installation only.)

Ordering Information

The sliding bar interlock is available for mounting between two adjacent 3-pole circuit breakers with circuit breakers centerline spacing as indicated in table and enclosure front panel thickness of 1/8 or 3/16 inch. (For field installation only.)

Frame	Centerline Spacing (inches)	Catalog Number	Instruction Leaflet/FRED Number
F	4-3/16	SBK1	29C310
J	4-3/8	SBK2	29C310
K	5-3/4	SBK3	29C310
L, M	8-1/2	SBK4	29C311
N	8-1/2	SBK5	46A8396



Walking Beam Interlock

The walking beam interlock provides mechanical interlocking between two adjacent circuit breakers of the same pole configuration. The walking beam interlock mounts on a bracket behind and between the circuit breakers. A plunger on each end of the beam is inserted through an access hole in the back plate and base of each circuit breaker. The walking beam interlock prevents both circuit breakers from being switched ON at the same time. If a walking beam interlock is installed, the wiring troughs in the back of the circuit breaker case are blocked by the plungers and cannot be used for cross wiring. Factory modified circuit breakers are required for this application. UL File E3816.

Ordering Information

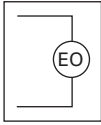
The walking beam interlock is available for mounting between two adjacent circuit breakers spaced 1/4-inch apart and having the same pole configuration. The two circuit breakers must be factory modified to accept the walking beam interlock assembly (suitable for use with either 2-, 3-, or 4-pole circuit breakers). With properly modified circuit breakers, the walking beam interlock is suitable for field installation. Order circuit breakers specifying modification for walking beam and select walking beam interlock from table on this page. Circuit breakers and walking beam interlock are boxed and shipped separately.

Frame	Catalog Number	Instruction Leaflet/FRED Number
F	WBL1	29C300
K	WBL3	29C301
L, M	WBL4	29C302
N	WBL5	29C303
R	WBL6	29C304



Electrical Operator

Electrical Operator<sup>①</sup>



The electrical (solenoid) operator is a single solenoid mechanism that enables local and remote circuit breaker ON, OFF, and reset switching. The electrical operator is mounted on the circuit breaker cover within the trimline of the circuit breaker. The electrical operator uses a unique bistable latch that allows the device to operate using one solenoid. The accessory provides high-speed switching with a maximum operating time of 5 cycles (80 ms) making it suitable for generator synchronizing applications.

Means are provided for remote electrical operation and for local manual operation. A special slide includes provisions for padlocking the circuit breaker handle in the OFF position. The slide will accept three padlock shackles with a maximum diameter of 1/4-inch (6 mm) each. An interlock electrically disconnects the solenoid when the electrical operator cover is removed. The above table provides electrical rating data for the electrical (solenoid) operator.

The electrical (solenoid) operator is Underwriters Laboratories, Inc., listed as a circuit breaker accessory under UL File E64983.

Ordering Information

F-Frame

Electrical Rating Data<sup>②</sup>

Voltage	Frequency	Inrush Current Amperes	Maximum Operating Time	Fuse <sup>③</sup> Amperes
120 <sup>④</sup> 240 <sup>④</sup>	50/60 Hz Ac	10 5	5 cycles (80 ms)	3 2
120 <sup>⑤</sup> 240 <sup>⑤</sup>	Dc Dc	14 8	5 cycles (80 ms)	3-5 2-3

Instruction Leaflet/FRED Number 29C200 (AC); 29C210 (DC)

Electrical Operator

Voltage	Frequency	Terminal Block	18-Inch Pigtail Lead
		Catalog Number	
120 240	Ac	EOP1T07 EOP1T11	EOP1P07 EOP1P11
120 240	Dc	EOP1T07DC EOP1T11DC	EOP1P07DC EOP1P11DC

J-Frame

Electrical Rating Data<sup>⑤⑥⑦⑧</sup>

Voltage (V) <sup>③</sup>	Inrush Current (A)	Fuse (A)
120 240	24 12	6 4

Instruction Leaflet/FRED Number 29C202 (AC); 29C211 (DC)

Electrical Operator

Operating Voltage	Frequency	Terminal Block
		Catalog Number
120 240	50/60 Hz Ac	EOP2T07 EOP2T11
120 240	Dc	EOP2T07DC EOP2T11DC

K-Frame

Electrical Rating Data<sup>⑤⑥⑦⑧</sup>

Voltage (V) <sup>③</sup>	Inrush Current (A)	Fuse (A)
120 240	24 12	6 4

Instruction Leaflet/FRED Number 29C202 (AC); 29C211 (DC)

Electrical Operator

Operating Voltage	Frequency	Terminal Block
		Catalog Number
120 240	50/60 Hz Ac	EOP3T07 EOP3T11
120 240	Dc	EOP3T07DC EOP3T11DC

① The electrical operator design is endurance tested for 10,000 electrical operations.  
 ② Use current-limiting type fuse where required.  
 ③ Tolerance: +10%, -15% of nominal voltage.  
 ④ Tolerance: ±10% of nominal voltage.  
 ⑤ Underwriters laboratories listed under UL file E64983.  
 ⑥ The electrical operator design has been endurance tested for 6,000 electrical operations.  
 ⑦ Frequency: 50/60 Hz.  
 ⑧ Maximum operating time: 5 cycles (80 ms).

Electrical Operator

The motor operator allows the circuit's breaker to be opened, closed, or reset remotely. It also has a lock-off capability and provisions for manual operation.

The motor operator contains a reversible motor connected to a ball screw. The ball screw drives the circuit breaker handle. Limit switches and relays are used to control the motor.

The motor operator is UL listed as a recognized component suitable for field installation on all type L-frame circuit breakers and molded case switches under UL File E64124.

From the point of energization of the closing mechanism at 85% voltage, the closing time is 30 cycles ± 10%.

Ordering Information

L- and M-Frames

Electrical Rating Data ①②③④

Voltage (V)⑤	Inrush Current (A)
120 Ac 208 240	8 5 4
125 Dc 24	9 27

Instruction Leaflet/FRED Number 29C203

Electrical Operator

Operating Voltage	Frequency	Terminal Block
		Catalog Number
120 208 240 480	50/60 Hz	EOPM4T07 EOPM4T11 EOPM4T11A EOPM4T15
125 24	Dc	EOPM4T26 EOPM4T21

N-Frame

Electrical Rating Data ①③⑥⑦

Voltage (V)⑤	Frequency	Inrush Current (A)	Fuse (A)
120 208 240 480	50/60 Hz	25 21 19	6 4
48 125	Dc	80 13	

Instruction Leaflet/FRED Number 29C204

Electrical Operator

Operating Voltage	Frequency	Pigtail Leads
		Catalog Number
120 208 240 480	50/60 Hz	EOP5T07 EOP5T09 EOP5T11 EOP5T15
48 125	Dc	EOP5T22 EOP5T26

R-Frame

Available Motor Operator Ratings and Operating Conditions ⑧⑨⑩⑪

Rating Voltage (V)⑫	Frequency	Motor Inrush Current (A)
120 240 48	50/60 Hz 50/60 Hz Dc	40 27 53

Instruction Leaflet/FRED Number 29C205

Electrical Operator

Operating Voltage	Frequency	Factory Installed Terminal Block
		Catalog Number
120 240 48	50/60 Hz 50/60 Hz Dc	EOP6T08K EOP6T11K EOP6T21K

① Underwriters Laboratories Inc. listed under UL File E64983.  
 ② The electrical operator design has been endurance tested for 6,000 electrical operations.  
 ③ Frequency: 50/60 Hz.  
 ④ Maximum operating time: 5 cycles (80 ms).  
 ⑤ Tolerance: +10%, -15% of nominal voltage.  
 ⑥ The electrical operator design has been endurance tested for 2,500 electrical operations.  
 ⑦ Maximum operating time: 12 cycles max. Operator is an intermittent duty device. The safe duty cycle (OFF to ON to OFF) should not exceed one per minute.

⑧ Operator is an intermittent duty service. The safe duty cycle (OFF to ON to OFF) should not exceed one per minute.  
 ⑨ Electric Operating time at rated voltage;  
 (a) To turn breaker ON – 1/2 second max.  
 (b) To turn breaker OFF – 1/2 second max.  
 ⑩ Motor operating temperature; Class "A" temperature limits apply.  
 ⑪ A minimum 1 kVA power source is recommended for motor operation.  
 ⑫ Applied voltage should be no less than 85% or no more than 110% of rated.

Plug-in Adapters

Plug-in Adapters



Plug-in adapters simplify installation and front removal of circuit breakers. Individual line and load plug-in adapters are available for rear connection applications on 2-, 3-, and 4-pole circuit breakers. Common mounting plates for line- and load-end adapters are available.

Ordering Information

F-Frame

Continuous Current Rating (Amperes)	2-Pole	3-Pole	4-Pole
	Style Number		
100 150-225	507C036G13 507C036G14	507C036G15 507C036G16	179C968G03 179C968G04
Mounting Plate	176C511H01	507C047H01	①

Instruction Leaflet/FRED Number 13782

K-Frame

Continuous Current Rating (Amperes)	Catalog Number		
	2-Pole	3-pole	4-Pole
400	PAD32	PAD33	PAD34
Mounting Plate	②	PMP33	PMP34

Instruction Leaflet/FRED Number 15378

L-Frame

Continuous Current Rating (Amperes)	Catalog Number	
	2-Pole	3-pole
600	506C059G03	506C059G04
Mounting Plate	504C824H01	504C824H01

Instruction Leaflet/FRED Number 29C314

J-Frame

Continuous Current Rating (Amperes)	Terminal End	2-Pole	3-Pole	4-Pole
		Style/Catalog Number		
250	Line Load 1 Line and 1 Load	1260C86G05 1260C86G07 506C144G27	1260C86G06 1260C86G08 506C144G28	1231C67G01 1231C67G02 -
Mounting Plate	-	②	PMP23	-

Instruction Leaflet/FRED Number 149321

M-Frame

Continuous Current Rating (Amperes)	Catalog Number	
	2-Pole	3-Pole
800	2614D53G05	2614D53G06
Mounting Plate	1290C73H01	

Instruction Leaflet/FRED Number 15073

N-Frame

Continuous Current Rating (Amperes)	Style Number	
	2-Pole	3-pole
1200	2614D53G03	2614D53G04
Mounting Plate	1290C73H01	

Instruction Leaflet/FRED Number 13782

① Refer to Cutler-Hammer for availability.

② Use 3-pole mounting plate for 2-pole circuit breaker.

Rear Connecting Studs

Rear Connecting Studs

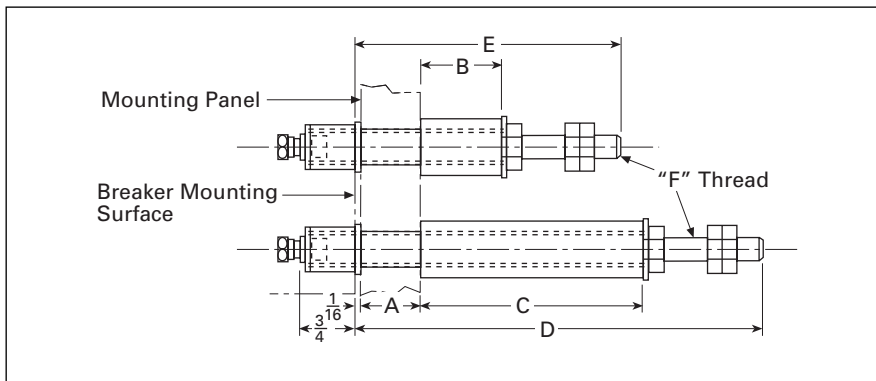


Rear connecting studs are available in several sizes to accommodate specific fixed-mounted circuit breaker applications.

Each rear connecting stud assembly consists of one stud and one tube. To maintain proper clearances between poles, select alternate long and short stud assemblies for circuit breakers with more than one pole. One assembly is required for line-end and one for load-end of each pole. Tubes must be ordered separately. Connecting studs are available only with English thread sizes.

Ordering Information

F-Frame



Stud Ampere Rating	Stud Style Number	Panel Thickness (Inches)	Tube Length (Inches)		Tube Style Number	Dimensions (Inches)		
		A	B	C		D	E	F

For 15A to 100A Circuit Breakers

100A Short	451D874G01	1	11/16	—	32B9446H20	—	3-5/8	15/16 - 18
100A Short	451D874G01	1-1/16 to 15/16	13/8	—	32B9446H21	—	—	
100A Short	451D874G01	3/8 to 5/8	1-11/16	—	32B9446H22	—	—	
100A Short	451D874G01	1/4 to 5/16	2	—	32B9446H23	—	—	
100A Long	451D874G02	1	—	3-7/16	32B9446H24	6-1/8	—	—
100A Long	451D874G02	1-1/16 to 15/16	—	3-3/4	32B9446H25	—	—	
100A Long	451D874G02	3/8 to 5/8	—	4-1/16	32B9446H26	—	—	
100A Long	451D874G02	1/4 to 5/16	—	4-3/8	32B9446H27	—	—	

For 110A to 150A Circuit Breakers

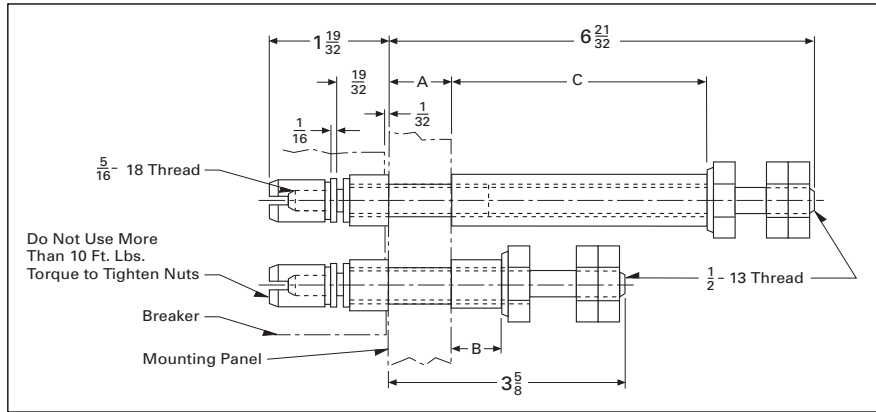
150A Short	374D883G01	1	11/16	—	374D883H06	—	4-1/4	1/16 - 14
150A Short	374D883G01	11/16 to 15/16	13/8	—	374D883H07	—	—	
150A Short	374D883G01	3/8 to 5/8	1-11/16	—	374D883H08	—	—	
150A Short	374D883G01	1/4 to 5/16	2	—	374D883H09	—	—	
150A Long	374D883G02	1	—	3-7/16	374D883H10	7-1/2	—	—
150A Long	374D883G02	11/16 to 15/16	—	3-3/4	374D883H11	—	—	
150A Long	374D883G02	3/8 to 5/8	—	4-1/16	374D883H12	—	—	
150A Long	374D883G02	1/4 to 5/16	—	4-3/8	374D883H13	—	—	

Rear Connecting Studs

Rear Connecting Studs

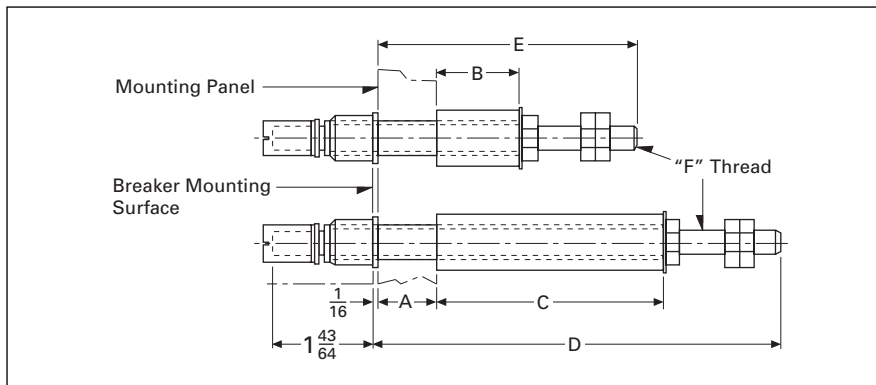
Ordering Information

J-Frame



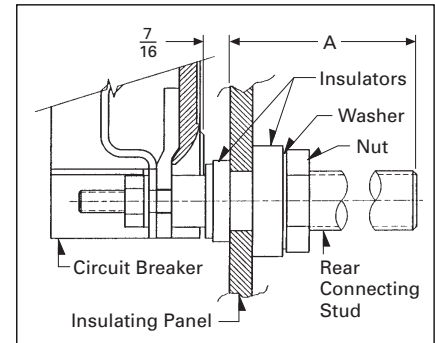
Stud Ampere Rating	Stud Style Number	Panel Thickness (Inches)			Tube Length (Inches)			Tube Style Number
		A	B	C				
250A Short	5010D23G01	3/4 - 1			27/32			456D983H05
250A Short	5010D23G01	1/2 - 3/4			1-3/32			456D983H06
250A Short	5010D23G01	1/4 - 1/2			1-1/32			456D983H07
250A Long	5010D23G02	3/4 - 1				37/8		5010D23H05
250A Long	5010D23G02	1/2 - 3/4				41/8		5010D23H06
250A Long	5010D23G02	1/4 - 1/2				43/8		5010D23H07

K-Frame



Stud Length	Stud Style Number	Panel Thickness (Inches)			Tube Length (Inches)			Standard Tube Style Number	Dimensions (Inches)		
		A	B	C	B	C	D		E	F	
400A Short	6642C14G02	3/4 to 1			27/32			313C909H17		3-21/32	3/4 - 16
400A Short	6642C14G04	1/2 to 3/4			1-3/32			313C909H18			
400A Short	6642C14G06	1/4 to 1/2			1-11/32			313C909H19			
400A Long	6642C14G03	3/4 to 1				3-25/32		313C909H20			
400A Long	6642C14G05	1/2 to 3/4				4-1/32		313C909H21	6-37/64		
400A Long	6642C14G07	1/4 to 1/2				4-9/32		313C909H22			

L-Frame



Stud Length (A)	Stud Style Number
5-15/32	314C960G07
7-31/32	314C960G08
10-15/32	314C960G09

M-Frame

Stud Ampere Rating	Diameter, Inches and Thread	Extension Back of Breaker, Inches	Stud Style Numbers
225	1/2-13	3-21/32	314C960G01
400	3/4-16	5-29/32	314C960G04
400	3/4-16	8-13/32	314C960G05
400	3/4-16	10-29/32	314C960G06
600	1-12	5-29/32	314C960G07
600	1-12	8-13/32	314C960G08
600	1-12	10-29/32	314C960G09
800	1-1/8-12	5-29/32	314C960G10
800	1-1/8-12	8-13/32	314C960G11
800	1-1/8-12	10-29/32	314C960G12

N-Frame

Stud Ampere Rating	Diameter, Inches and Thread	Extension Back of Breaker, Inches	Stud Style Numbers
800	1-1/8-12	5-1/2	623B222G01
800	1-1/8-12	8	623B222G02
800	1-1/8-12	10-1/2	623B222G03
1200	1-1/4-12	5-1/2	373B375G04
1200	1-1/4-12	10-1/2	373B375G03

Ⓢ Not UL listed.

Panelboard Connecting Straps

Panelboard Connecting Straps



Panelboard connecting straps are used to connect the circuit breaker terminals to the panelboard bus. The panelboard connecting straps are available with various ratings for outside and center poles. (Field installation only.)

Ordering Information

Panelboard connecting straps are available to meet the needs of most standard panelboard applications. Style numbers for mounting brackets for CDP panelboard installations are also included.

Refer to panelboard manufacturer for compatibility.

F-Frame

Panelboard Connecting Straps

Bus Spacing (Inches)	Continuous Current Rating (Amperes)	Pole Connector Type	
		Center	Outside
		Style Number	

5-3/4-Inch Deep Box, 600 Vac Maximum

2-3/4	50	673B142G02	673B142G09
2-3/4	100	673B142G02	673B142G10
2-3/4	150	673B142G04	673B142G03
3-1/2	50	1253C72G01	1253C72G03
3-1/2	100	1253C73G03	1253C73G06
3-1/2	150	1253C73G01	1253C73G05

Mounting Bracket

Number of Poles	Style Number
2	624B600H02
3	624B600H01

J-Frame

Panelboard Connecting Straps

Bus Spacing (Inches)	Continuous Current Rating (Amperes)	Pole Connector Type	
		Center	Outside
		Style Number	
3-1/2	250	2600D26G01	2600D26G02

Mounting Bracket

Number of Poles	Style Number
2, 3	1576707

K-Frame

Panelboard Connecting Straps

Bus Spacing (Inches)	Continuous Current Rating (Amperes)	Pole Connector Type	
		Center	Outside
		Style Number	
3-1/2	400	4212B78G02	4212B77G01

Mounting Bracket

Number of Poles	Style Number
2, 3	208B264H01

L-Frame

Panelboard Connecting Straps

Continuous Current Rating (Amperes)	Pole Connector Type	
	Center	Outside
		Style Number
600	624B609G01	506C052G01

Mounting Bracket

Number of Poles	Style Number
2, 3	208B297H01

M-Frame

Panelboard Connecting Straps

Bus Spacing (Inches)	Continuous Current Rating (Amperes)	Connector Type	Pole Connector Type
			Style Number
3-1/2	800	Short Medium Long	314C996G01 314C996G02 314C996G03

Mounting Bracket

Style Number
315C270H01

N-Frame

Panelboard Connecting Straps

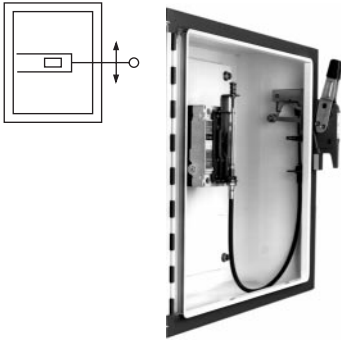
Bus Spacing (Inches)	Continuous Current Rating (Amperes)	Connector Type	Pole Connector Type
			Style Number
3-1/2	1200	Short Medium Long	505C606G04 505C606G05 505C606G06

Mounting Bracket (Four (4) Required)

Style Number
315C270H01

## Handle Mechanisms

### Flange Mounted Flex Shaft™



The Flex Shaft type handle mechanism is an extra heavy-duty handle mechanism designed for mounting in flange-type enclosures. An operating handle, flexible shaft, and mechanism are required for standard application.

The handle can be locked in the RESET position with up to three padlocks. The handle is suitable for Types 1, 3R, 4<sup>①</sup>, 4X<sup>①</sup>, and 12 fabricated enclosures. The handle fits the industry standard cutout.

Eight lengths of shafts are available for use with the wide range of depths of various enclosures (3 feet through 10 feet). These choices enable this mechanism to be mounted in various depth, width, and height enclosures.

**Note:** when selecting the length of shaft, ensure minimum bending radius of 4 inches is maintained to operate properly.

The standard method of shipment includes the mechanism preset at the factory; however, minor field adjustments may be required.

For this publication, the term Circuit Breaker shall also include the molded case switch and Series C motor circuit protector (HMCP).

UL File E64893.

① Type 4/4X handle mechanisms are available. Add suffix X to complete catalog number.

② Add suffix I to complete catalog number for IEC handle. Add suffix L to complete catalog number for 6-inch handle.

### Ordering Information

Catalog Number includes complete assembly consisting of C371 handle, flexible shaft, operating mechanism, and door interlock hardware to fit industry standard flange cutout.

Length of Flex Shaft (in feet)	Catalog Number
-----------------------------------	-------------------

#### F-Frame<sup>②</sup>

3	F1S03C
4	F1S04C
5	F1S05C
6	F1S06C
7	F1S07C
8	F1S08C
9	F1S09C
10	F1S10C

Instruction Leaflet/FRED Number 15609

#### J-Frame<sup>②</sup>

3	F2S03C
4	F2S04C
5	F2S05C
6	F2S06C
7	F2S07C
8	F2S08C
9	F2S09C
10	F2S10C

Instruction Leaflet/FRED Number 15605

#### K-Frame<sup>②</sup>

3	F3S03C
4	F3S04C
5	F3S05C
6	F3S06C
7	F3S07C
8	F3S08C
9	F3S09C
10	F3S10C

Instruction Leaflet/FRED Number 15604

#### L- and M-Frames

4	F4S04
5	F4S05
6	F4S06
10	F4S10

Instruction Leaflet/FRED Number 15606

#### N-Frame

4	F5S04
5	F5S05
6	F5S06
10	F5S10

Instruction Leaflet/FRED Number 15606

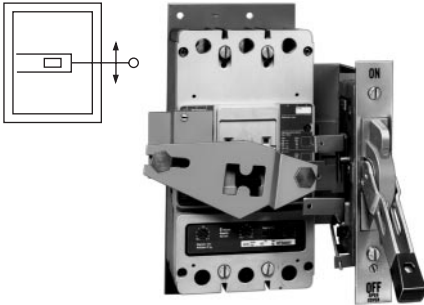
#### R-Frame

4	F6S04
5	F6S05
6	F6S06

Instruction Leaflet/FRED Number 15606

Handle Mechanisms

Flange Mounted  
Type SM Safety



The SM safety handle mechanism provides a means of externally operating a circuit breaker mounted in an enclosure and is designed to reduce the possibility of circuit breaker tampering. The handle mechanism is especially suited for use in automotive and machine tool industries through its conformance to Type 12 and J. I. C. requirements. A specially modified handle mechanism for Type 4 enclosure application is also available order by description. The handle mechanism will accept up to three padlock shackles, each with a maximum diameter of 3/8 inch (9.52mm). UL File E64893.

Ordering Information

Description		Catalog Number
<b>F-Frame</b>		
Right-Hand Mounting Enclosure Cover	Hinged on Left	<b>SM150R</b>
Left-Hand Mounting Enclosure Cover	Hinged on Right	<b>SM150L</b>

Instruction Leaflet/FRED Number 14439

**J-Frame**

Right-Hand Mounting Enclosure Cover	Hinged on Left	<b>SM250JR</b>
Left-Hand Mounting Enclosure Cover	Hinged on Right	<b>SM250JL</b>

Instruction Leaflet/FRED Number 29C274

**K-Frame**

Right-Hand Mounting Enclosure Cover	Hinged on Left	<b>SM400KR</b>
Left-Hand Mounting Enclosure Cover	Hinged on Right	<b>SM400KL</b>

Instruction Leaflet/FRED Number 29C274

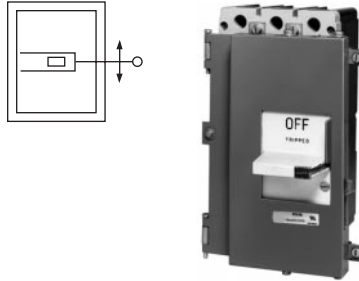
**L- and M-Frames**

Hinged on Left	<b>SM600R</b>
Hinged on Right	<b>SM600L</b>

Instruction Leaflet/FRED Number 29C284

① Width spacer kits cannot be used with short rod at minimum enclosure depth.

Through-the-Door  
Type MC Motor Control



The MC motor control handle mechanism is a linear-operating, fixed-depth mechanism designed for through-the-door mounting in standardized and shallow depth enclosures. The handle mechanism provides positive operation and direct disconnect status indication. It is interlocked with the enclosure door so that the door can be opened only when the handle is set to OFF. (A defeater, supplied with the handle mechanism, can be used to bypass the interlock for maintenance and inspection.) The handle mechanism will accept up to three padlock shackles, each with a maximum diameter of 3/8 inch (7.92 mm).UL File E56845.

Ordering Information

Description	Catalog Number
<b>F-Frame</b>	
For use with Type 1 Enclosure Catalog	<b>SMCU150FD</b>
For use with Type 12 Enclosure Catalog	<b>CMCU150FD</b>

Instruction Leaflet/FRED Number 14572

**J-Frame**

For use with Type 1 Enclosure Catalog	<b>SMCU250JD</b>
For use with Type 12 Enclosure Catalog	<b>CMCU250JD</b>

Instruction Leaflet/FRED Number 29C273

**K-Frame**

For use with Type 1 Enclosure Catalog	<b>SMCU400KD</b>
For use with Type 12 Enclosure Catalog	<b>CMCU400KD</b>

Instruction Leaflet/FRED Number 29C273

**M-Frames**

For use with Type 1 Enclosure Catalog	<b>SMCU600LD</b>
For use with Type 12 Enclosure Catalog	<b>CMCU600LD</b>

Instruction Leaflet/FRED Number 29C283



**Handle Mechanisms**
**Through-the-Door Rotary**


These compact rotary handle mechanisms are especially designed for use with the GD/GC/GHC circuit protection devices. The Close-Coupled version is designed for mounting in a shallow enclosure, while the Vari-Depth is suitable for deep enclosures.

Both G-frame handle mechanisms are suitable for use on Type 1 enclosures. In addition, the Vari-Depth handle mechanism is offered for use with Types 3R, 12, and 4X enclosures.

The new handles are a compact, plastic, general purpose design which is easy to install. These mechanisms are commonly used where high volume, standardized enclosures are being fabricated.

The Close-Coupled design is available with or without a shroud. The handle is offered in two colors; black or yellow. An escutcheon ring and interlock clip are provided as standard. This standard design includes a lock-off feature.

The Vari-Depth design includes an operating mechanism, shaft, and external handle. The handle is available in two colors; black or yellow. An external lock-off is included in the handle design. The shaft may be cut to size to fit the enclosure.

UL and CSA listed.

**Ordering Information**

Breaker Frame	Enclosure Type	Handle Color	Shaft Length	Shroud Included	Catalog Number
---------------	----------------	--------------	--------------	-----------------	----------------

**G-Frame Vari-Depth Design**

(Catalog Number includes complete assembly consisting of handle, shaft, and operating mechanism.)

GD/GC/GHC	Type 1	Black	14 inches	-	<b>HRGCV11L</b> <b>HRGCV31L</b> <b>HRGCV14L</b> <b>HRGCV34L</b>
GD/GC/GHC	Type 1	Yellow			
GD/GC/GHC	Type 3R/12/4X	Black			
GD/GC/GHC	Type 3R/12/4X	Yellow			

**G-Frame Close-Coupled Design**

(Catalog Number includes complete assembly consisting of operating handle and door interlock.)

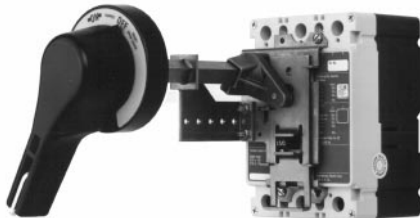
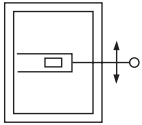
GD/GC/GHC	Type 1	Black	-	No Yes No Yes	<b>HRGCC10</b> <b>HRGCC1S</b> <b>HRGCC30</b> <b>HRGCC3S</b>
GD/GC/GHC	Type 1	Black			
GD/GC/GHC	Type 1	Yellow			
GD/GC/GHC	Type 1	Yellow			

Instruction Leaflet/FRED Number 15567 (Close Coupled);

Instruction Leaflet/FRED Number 15569 (Variable Depth)

Handle Mechanisms

Through-the-Door Rotary



The general purpose rotary handle mechanisms are suitable for use with Types 1, 3R, (4, 4X), and 12 fabricated enclosures. They are designed for use with Series C F-frame circuit breakers, molded case switches, and motor circuit protectors (HMCP).

Required for a standard application are the operating handle, shaft, and mechanism.

The operating handle has been designed to meet NFPA 79 requirements. It may be mounted in either the horizontal or the vertical direction. The handle was ergonomically designed with extra clearance for a "gloved hand" to operate. It may be padlocked in the OFF position utilizing 3 padlocks.

The standard label on the operating handle indicates ON/Tripped/OFF/Reset. UL File E64893

To meet the various enclosure depths, four variable depth shafts are offered (6-inch, 12-inch, 16-inch, and 24-inch). Each shaft includes a support brace to ensure proper alignment. In addition, the 16-inch and 24-inch extra long shafts include an adjustable support bracket.

The standard mechanism located on the breaker does include means for internally locking the breaker in the "OFF" position with up to three padlocks each with a maximum diameter of .312-inch.

Ordering Information

Shaft Length (Inches)	Complete Catalog Number <sup>①</sup>	Separate Style Number			Catalog Number	
		Standard Handle <sup>③</sup>	Breaker Mechanism <sup>④</sup>	Shaft <sup>⑤</sup>	IEC IP65 <sup>⑤⑥</sup>	IEC IP66 <sup>⑤⑥</sup>

F-Frame

6	HM1R06	6648C22G01	6648C23G11	4217B37G04	WHM1R06	WHM1R06X
12	HM1R12	6648C22G01	6648C23G11	4217B37G01	WHM1R12	WHM1R12X
16	HM1R16	6648C22G01	6648C23G11	4217B37G02	WHM1R16	WHM1R16X
24	HM1R24	6648C22G01	6648C23G11	4217B37G03	WHM1R24	WHM1R24X

Instruction Leaflet/FRED Number 15594

J-Frame

6	HM2R06	6648C22G01	6648C23G02	4217B37G04	WHM2R06	WHM2R06X
12	HM2R12	6648C22G01	6648C23G02	4217B37G01	WHM2R12	WHM2R12X
16	HM2R16	6648C22G01	6648C23G02	4217B37G02	WHM2R16	WHM2R16X
24	HM2R24	6648C22G01	6648C23G02	4217B37G03	WHM2R24	WHM2R24X

Instruction Leaflet/FRED Number 15599

K-Frame

6	HM3R06	6648C22G01	6648C23G13	4217B37G04	WHM3R06	WHM3R06X
12	HM3R12	6648C22G01	6648C23G13	4217B37G01	WHM3R12	WHM3R12X
16	HM3R16	6648C22G01	6648C23G13	4217B37G02	WHM3R16	WHM3R16X
24	HM3R24	6648C22G01	6648C23G13	4217B37G03	WHM3R24	WHM3R24X

Instruction Leaflet/FRED Number 15600

L- and M-Frames

6	HM4R06	6648C22G11	6648C23G07	4217B37G04	WHM4R06	WHM4R06X
12	HM4R12	6648C22G11	6648C23G07	4217B37G01	WHM4R12	WHM4R12X
16	HM4R16	6648C22G11	6648C23G07	4217B37G02	WHM4R16	WHM4R16X
24	HM4R24	6648C22G11	6648C23G07	4217B37G03	WHM4R24	WHM4R24X

Instruction Leaflet/FRED Number 15601

N-Frame

6	HM5R06	6648C22G11	6648C23G07	4217B37G04	WHM5R06	WHM5R06X
12	HM5R12	6648C22G11	6648C23G07	4217B37G01	WHM5R12	WHM5R12X
16	HM5R16	6648C22G11	6648C23G07	4217B37G02	WHM5R16	WHM5R16X
24	HM5R24	6648C22G11	6648C23G07	4217B37G03	WHM5R24	WHM5R24X

Instruction Leaflet/FRED Number 15602

Type 4/4X handles are similar to standard handles except they include an internal neoprene gasket. Type 4/4X handle style number is 6648C22G03. Due to gasketing effect between the handle and the housing, the handle may not indicate a tripped position.

Accessories

As an option, an auxiliary switch is offered so that the control panel builder may electrically indicate the status of the breaker. This accessory would be mounted on the mechanism and comes with 24-inch pigtail leads.

Style Number	5108A61G01
--------------	------------

Refer to CD-ROM, SA.74A.01.T.E, for replacement type Vari-depth and AMT handle mechanisms.

- ① Complete catalog number includes the standard handle, mechanism, shaft, and support brace/bracket.
- ② Handle is designed suitable for Types 1, 3R, and 12 enclosures. Use style number 6648C22G03 for Type 4/4X handle or add X suffix to complete catalog number.
- ③ The standard handle label indicates ON/Tripped/OFF/Reset.
- ④ Breaker mechanism includes a shaft support bracket and its parts.
- ⑤ Longer shafts (16-inch and 24-inch) include an adjustable support extension.
- ⑥ IEC Handle Mechanism supplied with Metric thread mounting hardware.
- ⑦ Complete Catalog Number includes a handle, mechanism and shaft.

Handle Mechanisms


Door Hardware

F-, J-, K-, L- and M-Frames

Door Hardware listed in this section may be used with Types SM and AMT handle mechanisms.

Three choices of door hardware and an auxiliary handle are offered to provide the best latching scheme for individual needs. The door hardware is designed with a provision for padlocking, and a coin-proof slot that requires the use of a tool to open the door.

Select desired hardware below. Additional latches can be ordered from accessories section if desired.

Hardware Item	Description and Catalog Number
	With sliding latches for smaller panels up to approx. 30-inch high.  Catalog Number Right Hand: <b>DH1R</b> Left Hand: <b>DH1L</b>  Instruction Leaflet/FRED Number 13327(L); 13326(R)
	With 2-roller latches for intermediate panels up to approx. 40-inch high.  Catalog Number Right Hand: <b>DH2R</b> Left Hand: <b>DH2L</b>  Instruction Leaflet/FRED Number 13325(L); 13324(R)
	With 3-roller latches for larger panels, approx. 40-inch and higher.  Catalog Number Right Hand: <b>DH3R</b> Left Hand: <b>DH3L</b>  Instruction Leaflet/FRED Number 13323(L); 13322(R)
	Auxiliary handle for larger panels.  Catalog Number Right Hand: <b>DH4R</b> Left Hand: <b>DH4L</b>

**Note:** Right-hand enclosure cover hinged on left, left-hand enclosure cover hinged on right.

Accessories

**Dress Nameplates:** Required to meet automotive specifications. Mounts from inside enclosure and covers operating mechanism mounting bolts; makes mechanism non-removable when enclosure door is closed.



Description	Style Number
Dress Nameplate	<b>373D260G05</b>

**Electrical Interlock Kit:** Provides 1 N.C. and 1 N.O. contacts (SPDT switch) for use with auxiliary circuits. Mounts to end of mechanism housing as shown.



Description	Style Number
Electrical Interlock Kit	<b>622B747G01</b>

**Auxiliary Latch Kits:** Provide an additional latch for use with applications where two point latching may not be adequate.



Sliding Latch



Rolling Latch

Description	Style Number
<b>For Door Hardware Using Sliding Latches</b>	
Right- or Left-Hand Mounting	<b>622B747G01</b>
<b>For Door Hardware Using Rolling Latches</b>	
Right-Hand Mounting	<b>370D801G04</b>
Left-Hand Mounting	<b>370D802G04</b>

Door Operated Interlock Defeater Kit for Type SM Mechanisms

Required when door hardware is not used, operates as door closes. Additional method of securing door such as screw latch, also required (supplied by box manufacturer).

Description	Style Number
Door Operated Interlock Defeater Kit	<b>623B214G02</b>

Remote Mounting Kit (J-Frame)

Enables the operating mechanism to be mounted remotely on a vertical centerline from the circuit breaker or disconnect switch.

Description	Style Number
Remote Mounting Kit	<b>505C367G01</b>

Handle Extension



Handle extension is not included with J-, K-, L-, and M-Frame breakers. It must be purchased separately.

Frame	Catalog Number
J, K	<b>HEX3</b>
L, M	<b>HEX4</b>

Handle extension is included with breaker with N- and R-Frame breakers.

Frame	Catalog Number
N	<b>HEX5</b>
R	<b>HEX6</b>

**Type LFD**



The LFD current limiter is an accessory that bolts to the load end of a standard FDB or FD thermal-magnetic circuit breaker, providing 200,000A interrupting capacity at up to 600 Vac. LFD current limiters for thermal-magnetic circuit breakers are listed with Underwriters Laboratories, Inc., under File E47239.

**Ordering Information**

Circuit Breaker Rating Amperes①	Catalog Number
15-70	LFD3070R
80-160	LFD3150R

Instruction Leaflet/FRED Number 29C407

① Underwriters Laboratories Inc. listed under UL File E64983.

## Ground Fault Alarm Unit



The Ground Fault Alarm Unit is a remotely mounted device with a combination indicating light/test button that will light when the breaker trips or alarms on ground fault. The Ground Fault Alarm Unit requires a separate 120 Vac power source to power the light and the internal relay which has 1 N.O. and 1 N.C. contacts for remote indication. The Ground Fault Alarm Unit can be panel mounted for ordering with an optional face mounting bracket. For use on Digitrip 310 only. K- through N-frame.

### Ordering Information

Catalog Number
<b>GFAU</b> – Ground Fault Alarm Unit
Style Number
<b>1264C67G01</b> – Face Mounting Bracket

Instruction Leaflet/FRED Number 29C614 Diagram

## IQ Energy Sentinel



The IQ Energy Sentinel is a highly accurate, microprocessor-based, breaker-mounted device designed to

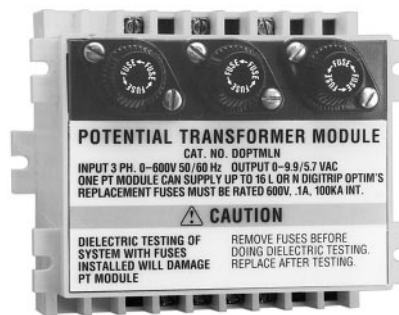
monitor power and energy readings. It represents an alternative to watt meters, watt-hour meters, and watt demand meters. Key advantages include savings in space, lower installation costs, and remote monitoring capability.

The IQ Energy Sentinel mounts on the load side of a Series C F-frame (150 ampere) circuit breaker. It can be applied on three-phase, four-wire systems, or single-phase, three-wire systems with voltage connected through phases A and C.

Instruction Leaflet/FRED Number 17437

For more information see Descriptive Bulletin 8178.

## Potential Transformer Module



The Potential Transformer Module is required for Series C, Digitrip OPTIM 1050, to provide a voltage input to allow the trip unit to monitor power and energy as well as power factor. The Potential Transformer Module is a 6 VA transformer with a primary voltage input of up to 600V line to line. Three 0.1 ampere fuses are provided on the primary of the transformer and can be used for isolation purposes during dielectric testing. The device is normally panel mounted and can feed up to 16 OPTIM trip units.

### Ordering Information

Description	Catalog Number
Potential Transformer Module	<b>DOPTMLN</b>

Instruction Leaflet/FRED Number 29C894 Diagram

## Solid-State (Electronic) Portable Test Kit

The solid-state (electronic) portable test kit provides verification of performance of all ratings of Digitrip 310 electronic trip units installed in Series C circuit breakers while in service under varying load and/or phase imbalance. The test kit operates on 120-volt, 50/60 Hz power; it includes complete instructions and test times for testing long time, short time/instantaneous operation and optional ground fault operation of the circuit breaker.

### Ordering Information

Description	Catalog Number
Solid-State (Electronic) Portable Test Kit	<b>STK2</b>

① Model 550 OPTIMs require the Cutler-Hammer PowerNet field upgrade kit.



OPTIM System Components

**Breaker Interface Module (BIM)**



The Breaker Interface Module (BIM) is a panel mounted user interface device that is mounted on the front of an electrical assembly or at a remote location. The BIM is used to access, configure, test and display information for OPTIM trip units and other devices. The BIM consists of four display windows, eight function buttons, 18 LEDs, and a graphical time/current curve to provide breaker status, operational information, protection status and energy monitoring. A 24 Vdc power supply is required to provide power to the BIM. This is supplied by the switchboard builder to Cutler-Hammer specifications. The BIM is a member of the Cutler-Hammer PowerNet family of communicating devices that connects OPTIM trip units, Digitrip RMS 810/910 trip units and energy sentinels as a subnetwork system. The BIM can also be connected to a main network via a PONI module to Cutler-Hammer PowerNet software.

**Ordering Information**

Catalog Number
<b>BIM</b>

Instruction Leaflet/FRED Number 29C893

**Digitrip OPTIMizer**



The Digitrip OPTIMizer is a handheld programmer that is used to access, configure, test and display information from OPTIM trip units. The OPTIMizer plugs into the front of an OPTIM trip unit via an eight-pin telephone jack and is powered by a nine-volt battery or the auxiliary power module. In addition, a three-pin INCOM network connection is also provided to program other OPTIM devices on the system. An Auxiliary Power Module connection provides a trip test when control power is not present at the breaker. The OPTIMizer is supplied as a standard package to include the programmer, the eight-pin connection cord, battery and carrying case. The Auxiliary Power Module is optional.

**Ordering Information**

Catalog Number
<b>OPTIMizer – Standard Package</b>

Instruction Leaflet/FRED Number 29C892

**Note: 24 Vdc Power Supply**

A 24 Vdc power supply is required for all Digitrip OPTIM trip units that are required to communicate either on the main Cutler-Hammer PowerNet network or as a subnetwork to a BIM. The breaker's load is 45 mA of current. Typically one power supply is required per switchboard and can provide control power to a BIM and the OPTIM trip units. The 24 Vdc power supply should be an "isolated high quality" power supply with a "CE" label, and is normally provided by the switchboard manufacturer to Cutler-Hammer recommendations.

**Auxiliary Power Module**



The Auxiliary Power Module is a power supply requiring 120 Vac input at 50 or 60 Hz that provides a 32 Vdc output<sup>①</sup>. The Auxiliary Power Module provides control power for testing an OPTIM trip unit when other means of control power is not available or for continuous OPTIMizer operation versus temporary with a battery. The Auxiliary Power Module connects into the top of the Digitrip OPTIMizer via a keyed receptacle. The main application for the Auxiliary Power Module would be for the testing of a stand-alone non-communicating OPTIM breaker that ordinarily would not have control power.

**Ordering Information**

Catalog Number
<b>PRTAAPM</b>

**Cutler-Hammer PowerNet Software**



Series C Digitrip OPTIM trip units can communicate back to a central Personal Computer by installing Cutler-Hammer PowerNet software<sup>②</sup>. In addition other software packages are available to allow the user to configure the trip units as well as monitor system performance.

Instruction Leaflet/FRED Number 29C890

① The OPTIMizer can work off of 32 Vdc control power, although 24 Vdc is the standard on OPTIM breakers.

② Model 550 OPTIMIS require the Cutler-Hammer PowerNet field upgrade kit.

## Special Calibration<sup>①</sup>

Special non-UL-listed calibrations are available for certain ambient temperatures other than 40°C and for frequencies other than 50/60 Hz or Dc. Reduced interrupting ratings will apply for 400 Hz applications. Maximum thermal calibration is limited to 135A at 400 Hz.

Suffix H01 400 Hz.

See Application Data 29-160 for information regarding special conditions.

## 50°C Calibration<sup>①</sup>

Add suffix "V" to catalog number for complete breaker, listed above, when ordering listed ampere ratings for breakers to be used in 50°C ambients.

## Moisture-Fungus Treatment

All Series C circuit breaker cases are molded from glass-polyester which does not support the growth of fungus. Any parts which are susceptible to the growth of fungus will require special treatment.

Suffix J01 Fungus Treated

## Freeze-Tested Circuit Breakers

The circuit breakers may be ordered with freeze testing. This option uses special lubrication and mechanical operation is verified at -40°C.

Suffix F01 Freeze Tested.

## Marine Applications

F-Frame circuit breakers can be supplied to meet the following marine specifications:

U.S. Coast Guard CFR 46 ABS –  
American Bureau of Shipping  
IEEE 45

These specifications generally require molded case circuit breakers to be supplied with 50°C ambient calibration, special nameplating, and plug-in adapter kits. When plug-in adapter kits are used, no terminals need be supplied.

Series C circuit breakers can also be supplied to meet UL489 Supplement SA (Marine Use) and UL489 Supplement SB (Naval Use).

UL489 Supplement SA applies to vessels over 65 feet in length. Requirements include 40°C ambient calibration, special labeling, and no use of aluminum conductors or terminals.

Suffix H08 "Marine."

UL489 Supplement SB requires 50°C ambient calibration, vibration testings, special nameplating and no use of aluminum conductors or terminals.

Suffix H09 "Naval."

<sup>①</sup> Not listed with Underwriters Laboratories, Inc.

<sup>②</sup> For use with standard 35 mm DIN rail such as, 35 x 7.5 or 15 mm per DIN EN50022.

**NEMA 1 General Purpose**



**Surface or Flush Mounting  
15-1200 Ampere Range  
600 Volts Ac, 500 Volts Dc**

NEMA 1 enclosed breakers are designed for indoor use in commercial buildings, apartment buildings and other areas where a general purpose enclosure is applicable. The breaker is front operable and is capable of being padlocked in the Off position. (Padlocking not available on enclosures for Quicklag® breakers.) Ratings through 1200 amperes are listed with Underwriters Laboratories, Inc. as suitable for service entrance application. Both surface and flush mounted enclosures are available. UL File Number E7819. CSA File Number LR84319.

**NEMA 3R Rainproof Surface Mounting**



**Interchangeable Hubs (through 400 amperes) 15-1200 Ampere Range  
600 Volts Ac, 500 Volts Dc**

This general purpose outdoor service center employs a circuit breaker inside a weatherproof sheet steel enclosure to serve as a main disconnect and protective device for feeder circuits. The operating handle can be padlocked in the Off position, and is interlocked to prevent the door from opening when the breaker is On. Ratings through 1200 amperes are listed by Underwriters Laboratories, Inc. as suitable for service entrance application. UL File Number E7819. CSA File Number LR84319.

**NEMA 4/4X, 5 Water and Dustproof**



**Stainless Steel – Type 304  
Surface Mounting  
15-1200 Ampere Range  
600 Volts Ac, 500 Volts Dc**

This enclosure meets NEMA 4/4X and 5 requirements for water and dustproof applications and has no knockouts or other openings. It is particularly well suited for use in dairies, borax mines, breweries, paper mills and other process industries. The operating handle can be padlocked in the Off position, and is interlocked to prevent the door from opening when the breaker is On. Ratings through 1200 amperes are Underwriters Laboratories, Inc. listed as suitable for service entrance application. UL File Number E7819. CSA File Number LR84319.

**NEMA 12 Dustproof Surface Mounting**



**No Knockouts or Other Openings  
15-1200 Ampere Range  
600 Volts Ac, 500 Volts Dc**

The Type 12 enclosure is designed in line with specifications for special industry application where unusually

severe conditions involving oil, coolant, dust and other foreign materials exist in the operating atmosphere. The handle padlocks in the Off position and the cover is interlocked with the handle mechanism to prevent opening the cover with the circuit breaker in the On position. Ratings through 1200 amperes are listed by Underwriters Laboratories, Inc. as suitable for service entrance application. A NEMA 12 semi-dust-tight design which includes knockouts is available. These units are rated 15-400 amperes, 600 volts Ac, 500 volts Dc. UL File Number E7819. CSA File Number LR84319.

**NEMA 7, 9 Hazardous Location**

**Cast Aluminum, Explosionproof  
Surface Mounting  
15-800 Ampere Range  
600 Volts Ac, 250 Volts Dc**

Hazardous location, Class I, Groups B (except XFDN050), C, D; Class II, Groups E, F, G. This special service cast aluminum enclosure is supplied with a wide, machined flanged cover to prevent igniting outside atmospheres by arcing from inside the enclosure. Front operable, the handle padlocks in the Off position. Enclosures rated 600 amperes and above have lift-off hinges for ease of assembly. UL and cUL File Number E71279.



Enclosure Only Catalog Numbers Selection Guide<sup>①</sup>

Breaker Frame	Breaker Ampere Range	Enclosure	
		NEMA Class	Catalog Number
<b>Series C® Breakers</b>			
GC, GHC, GD 2- and 3-Pole only GHCGFEP <sup>②</sup> 1-Pole Only	15-100	1 Surface 3R 12 12K 4/4X, 5 St. Steel	<b>SGDN100</b> <sup>②</sup> <b>RGDN100</b> <b>JGDN100</b> <b>DGDN100</b> <b>WGDN100</b>
EHD, FD, FDB, HFD, FDC	15-100	1 Surface 1 Flush 3R 12 12K 4/4X, 5 St. Steel	<b>SFDN100</b> <b>FFDN100</b> <b>RFDN100</b> <b>JFDN100</b> <b>DFDN100</b> <b>WFDN100</b>
EHD, FD, FDB HFD, FDC	15-50 60-225 <sup>④</sup>	7/9 Cast Aluminum 7/9 Cast Aluminum	<b>XFDN050</b> <b>XFDN225</b>
FD, FDB, HFD, FDC, ED, EDH, EDC	125-225	1 Surface 1 Flush 3R 12 12K 4/4X, 5 St. Steel	<b>SFDN225</b> <b>FFDN225</b> <b>RFDN225</b> <b>JFDN225</b> <b>DFDN225</b> <b>WFDN225</b>
JD, JDB, HJD, JDC	125-250	1 Surface 1 Flush 3R 12 12K 4/4X, 5 St. Steel	<b>SJDN250</b> <b>FJDN250</b> <b>RJDN250</b> <b>JJDN250</b> <b>DJDN250</b> <b>WJDN250</b>
JD, JDB, HJD, JDC	125-250	7/9 Cast Aluminum	<b>XJDN250</b>
KD, KDB, HKD, KDC, DK	125-400	1 Surface 1 Flush 3R 12 12K 4/4X, 5 St. Steel	<b>SKDN400</b> <b>FKDN400</b> <b>RKDN400</b> <b>JKDN400</b> <b>DKDN400</b> <b>WKDN400</b>
KD, KDB, HKD, KDC, DK	125-400	7/9 Cast Aluminum	<b>XKDN400</b>
LD, LDB, HLD, LDC	300-600	1 Surface 3R 12 4/4X, 5 St. Steel	<b>SLDN600</b> <b>RLDN600</b> <b>JLDN600</b> <b>WLDN600</b>
LD, LDB, HLD, LDC MD, MDS	300-600 400-800	7/9 Cast Aluminum	<b>XMCN800</b>
MD, MDS, ND, NDC, HND	400-1200	1 Surface 3R 12 4/4X, 5 St. Steel	<b>SNDN1200</b> <b>RNDN1200</b> <b>JNDN1200</b> <b>WNDN1200</b>
ND, HND, NDC		7/9 Cast Aluminum	<b>XNDN1200</b>

Earth Leakage Breakers<sup>⑤</sup>

ELFD, ELHFD and ELFDC (3-Pole Only)	15-100	1 Surface 1 Flush 3R 12 12K 4/4X	<b>SFD100E</b> <b>FFD100E</b> <b>RFDN100E</b> <b>JFDN100E</b> <b>DFDN100E</b> <b>WFDN100E</b>
--	--------	---	--

Current Limit-R Breakers

FCL	15-100	3R 12 12K 4/4X, 5 St. Steel	<b>RFDN150</b> <b>JFDN150</b> <b>DFDN150</b> <b>WFDN150</b>
LCL <sup>⑥</sup>	125-400	1 Surface 3R 12 4/4X, 5 St. Steel	<b>SNDN1200</b> <b>RNDN1200</b> <b>JNDN1200</b> <b>WNDN1200</b>


TRI-PAC® Breakers

FB-P	15-100	3R 12 12K 4/4X, 5 St. Steel	<b>RFDN150</b> <b>JFDN150</b> <b>DFDN150</b> <b>WFDN150</b>
LA-P <sup>⑦</sup>	70-400	1 Surface 3R 12 4/4X	<b>SNDN1200</b> <b>RNDN1200</b> <b>JNDN1200</b> <b>WNDN1200</b>
NB-P	500-800	12 4/4X, 5 St. Steel	<b>JNDPN800</b> <b>WNDPN800</b>

Neutral Kits, Insulated and Groundable<sup>⑧</sup>

Maximum Enclosure Rating (Amperes)	Main Lug Size Cu/Al	Ground Lug Size Cu/Al	Catalog Number
100	(1) 14-1/0	(1) 14-1/0	<b>INK100</b>
250	(1) 6-350 kcmil	(1) 4-300 kcmil	<b>INK250</b>
400	(1) 4-750 kcmil or (2) 1/0-250 kcmil	(1) 4-300 kcmil	<b>INK400</b>
600	(2) 250-500 kcmil	(1) 4-300 kcmil	<b>INK600</b>
1200	(3) 1/0 to 750 kcmil or (4) 1/0 to 750 kcmil	(1) #6-250 kcmil	<b>INK1200</b>

Raintight Hubs

	Hub Diameter in Inches		Catalog Number
	Small Hubs		
All rainproof enclosures 30A through 400A are shipped with plate over cutout. Hubs are not supplied with screws on 30A through 400A enclosures. Use screws from plate.	For use with RGDN and RFDN	3/4 1 1-1/4 1-1/2 2	<b>DS075H1</b> <b>DS100H1</b> <b>DS125H1</b> <b>DS150H1</b> <b>DS200H1</b>
	Large Hubs		
	For use with RJDN. (RKDN has two cutouts)	2 2-1/2 3	<b>R1H200</b> <b>R1H250</b> <b>R1H300</b>
	Required if using Type DS hubs on RJDN and RKDN enclosures.		<b>R1HA</b>

Breather and Drain, Hazardous Enclosures<sup>⑤</sup>

Description	Compliance	Conduit Opening	Catalog Number
A Universal Breather/ Drain Fitting is installed in the top of an enclosure to provide ventilation to minimize condensation and in the bottom to allow drainage of accumulated condensation while maintaining explosion proof integrity.	Type BD: NEMA 7 - Class I, Groups C, D; Class I, Zone 1, Group IIB NEMA 9 - Class II, Groups F, G	1/2	<b>XPBD2</b>
	Type DBB: NEMA 7 - Class I, Groups B, C, D; Class I, Zone 1, Group IIB + Hydrogen NEMA 9 - Class II, Groups E, F, G	1/2	<b>XPDBB50</b>

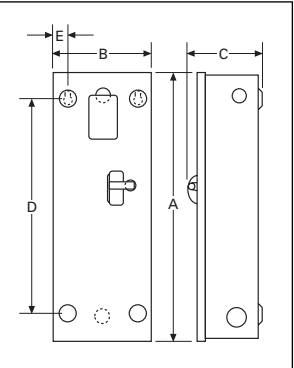
- ① Enclosures only shown above; if an assembled enclosed circuit breaker is required refer to Cutler-Hammer Satellite.
- ② Suitable for use with one-pole breaker base mounting plate kit. OCCBP required.
- ③ Enclosure must have date stamp later than 4-15-98.
- ④ Maximum wire size: 4/0.
- ⑤ Availability to be announced.
- ⑥ LCL requires additional adapter plate 1223C06G01.
- ⑦ LA-P requires additional adapter plate S/N 1223C06G02.
- ⑧ If ground fault protection is required, contact regional satellite.

**Dimensions and Shipping Weights**

*Not to be used for construction purposes unless approved.*  
Inches and Millimeters.

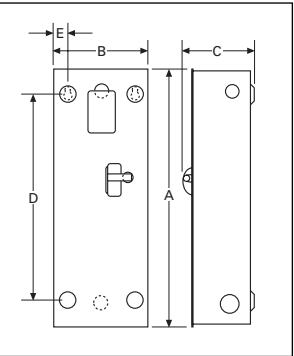
**NEMA 1 Surface Mounted**

Catalog Number	App. Wt. Lbs.	Max. Amperes	Dimensions										Conduit Sizes, Inches
			A		B		C		D		E		
			Inches	mm	Inches	mm	Inches	mm	Inches	mm	Inches	mm	
SGDN100	12	100	17½	444	8 <sup>3</sup> / <sub>32</sub>	214	6 <sup>5</sup> / <sub>32</sub>	160	13 <sup>1</sup> / <sub>32</sub>	331	1 <sup>1</sup> / <sub>64</sub>	31	¼, ½, ¾, 1, 1¼, 1½, 2, 2½
SFDN100	12	100	17½	444	8 <sup>3</sup> / <sub>32</sub>	214	6 <sup>5</sup> / <sub>32</sub>	160	13 <sup>1</sup> / <sub>32</sub>	331	1 <sup>1</sup> / <sub>64</sub>	31	¼, ½, ¾, 1, 1¼, 1½, 2, 2½
SFDN150	15	150	23¼	591	8 <sup>3</sup> / <sub>32</sub>	214	6 <sup>5</sup> / <sub>32</sub>	160	18¾	476	1 <sup>1</sup> / <sub>64</sub>	31	¼, ½, ¾, 1, 1¼, 1½, 2, 2½
SFDN225	15	225	23¼	591	8 <sup>3</sup> / <sub>32</sub>	214	6 <sup>5</sup> / <sub>32</sub>	160	18¾	476	1 <sup>1</sup> / <sub>64</sub>	31	¼, ½, ¾, 1, 1¼, 1½, 2, 2½
SJDN250	31	250	34 <sup>9</sup> / <sub>64</sub>	881	10 <sup>9</sup> / <sub>64</sub>	227	7 <sup>1</sup> / <sub>64</sub>	183	30	762	1 <sup>1</sup> / <sub>6</sub>	48	¼, ½, 2, 2½, 3
SKDN400	53	400	38 <sup>1</sup> / <sub>16</sub>	986	11 <sup>1</sup> / <sub>16</sub>	281	10 <sup>1</sup> / <sub>16</sub>	278	34	869	2 <sup>5</sup> / <sub>32</sub>	58	¼, ½, ¾, 1, 1½, 2, 2½, 3, 3½
SLDN600	81	600	45 <sup>1</sup> / <sub>6</sub>	1165	14 <sup>1</sup> / <sub>16</sub>	364	12 <sup>1</sup> / <sub>6</sub>	314	46 <sup>1</sup> / <sub>16</sub>	1183	1 <sup>2</sup> / <sub>32</sub>	48	¼, ½, ¾, 3, 3½, 4
SNDN1200	178	1200	61 <sup>1</sup> / <sub>32</sub>	1555	21 <sup>1</sup> / <sub>16</sub>	545	15 <sup>1</sup> / <sub>32</sub>	391	61 <sup>1</sup> / <sub>32</sub>	1571	1 <sup>3</sup> / <sub>32</sub>	50	



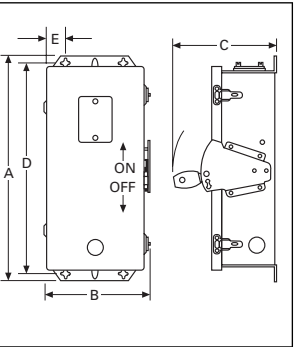
**NEMA 1 Flush Mounted**

FFDN100	12	100	18 <sup>1</sup> / <sub>16</sub>	478	9 <sup>3</sup> / <sub>32</sub>	247	6 <sup>5</sup> / <sub>32</sub>	160	13 <sup>1</sup> / <sub>32</sub>	331	1 <sup>5</sup> / <sub>64</sub>	47	¼, ½, ¾, 1, 1¼, 1½, 2, 2½
FFDN150	15	150	24 <sup>1</sup> / <sub>16</sub>	624	9 <sup>3</sup> / <sub>32</sub>	247	6 <sup>5</sup> / <sub>32</sub>	160	18¾	476	1 <sup>5</sup> / <sub>64</sub>	47	¼, ½, ¾, 1, 1¼, 1½, 2, 2½
FFDN225	15	225	24 <sup>1</sup> / <sub>16</sub>	624	9 <sup>3</sup> / <sub>32</sub>	247	6 <sup>5</sup> / <sub>32</sub>	160	18¾	476	1 <sup>5</sup> / <sub>64</sub>	47	¼, ½, ¾, 1, 1¼, 1½, 2, 2½
FJDN250	32	250	36 <sup>1</sup> / <sub>64</sub>	915	12 <sup>1</sup> / <sub>64</sub>	311	7 <sup>1</sup> / <sub>64</sub>	183	30	762	1 <sup>1</sup> / <sub>6</sub>	48	¼, ½, 2, 2½, 3
FKDN400	53	400	40 <sup>1</sup> / <sub>6</sub>	1019	12 <sup>1</sup> / <sub>6</sub>	314	10 <sup>1</sup> / <sub>16</sub>	278	34	869	2 <sup>1</sup> / <sub>16</sub>	75	¼, ½, ¾, 1, 1½, 2, 2½, 3, 3½



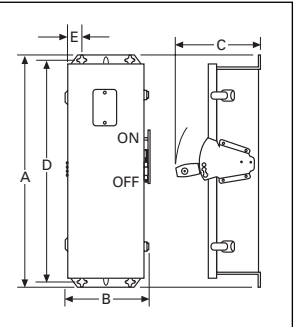
**NEMA 12, 12K Dustproof**

JGDN100	14	100	19 <sup>2</sup> / <sub>32</sub>	506	8 <sup>7</sup> / <sub>32</sub>	225	9 <sup>5</sup> / <sub>16</sub>	237	18 <sup>1</sup> / <sub>32</sub>	471	1 <sup>4</sup> / <sub>64</sub>	43	
JFDN100	14	100	19 <sup>2</sup> / <sub>32</sub>	506	8 <sup>7</sup> / <sub>32</sub>	225	9 <sup>5</sup> / <sub>16</sub>	237	18 <sup>1</sup> / <sub>32</sub>	471	1 <sup>4</sup> / <sub>64</sub>	43	
JFDN150	18	150	25 <sup>1</sup> / <sub>32</sub>	652	8 <sup>7</sup> / <sub>32</sub>	225	9 <sup>5</sup> / <sub>16</sub>	237	24 <sup>1</sup> / <sub>32</sub>	617	1 <sup>4</sup> / <sub>64</sub>	43	
JFDN225	18	225	25 <sup>1</sup> / <sub>32</sub>	652	8 <sup>7</sup> / <sub>32</sub>	225	9 <sup>5</sup> / <sub>16</sub>	237	24 <sup>1</sup> / <sub>32</sub>	617	1 <sup>4</sup> / <sub>64</sub>	43	
JJDN250	37	250	37 <sup>1</sup> / <sub>32</sub>	953	11 <sup>1</sup> / <sub>16</sub>	294	10 <sup>7</sup> / <sub>32</sub>	260	35 <sup>9</sup> / <sub>64</sub>	909	1 <sup>5</sup> / <sub>16</sub>	49	
JKDN400	58	400	41 <sup>1</sup> / <sub>16</sub>	1059	11¾	298	14 <sup>1</sup> / <sub>16</sub>	357	39 <sup>5</sup> / <sub>16</sub>	1014	1 <sup>3</sup> / <sub>32</sub>	150	
JLDN600	81	600	48 <sup>1</sup> / <sub>16</sub>	1227	14 <sup>2</sup> / <sub>32</sub>	379	15½	394	46 <sup>1</sup> / <sub>16</sub>	1183	1 <sup>5</sup> / <sub>64</sub>	49	
JNDPN800	110	800	63 <sup>1</sup> / <sub>32</sub>	1545	22	559	17¾	448	—	—	—	—	
JNDN1200	170	1200	63 <sup>1</sup> / <sub>32</sub>	1545	22	559	17¾	448	61 <sup>1</sup> / <sub>32</sub>	1571	1 <sup>3</sup> / <sub>32</sub>	50	
DGDN100	16	100	19 <sup>2</sup> / <sub>32</sub>	506	8 <sup>7</sup> / <sub>32</sub>	225	9 <sup>5</sup> / <sub>16</sub>	237	—	—	—	—	¼, ½, ¾, 1, 1¼, 1½, 2, 2½
DFDN100	16	100	19 <sup>2</sup> / <sub>32</sub>	506	8 <sup>7</sup> / <sub>32</sub>	225	9 <sup>5</sup> / <sub>16</sub>	237	—	—	—	—	¼, ½, ¾, 1, 1¼, 1½, 2, 2½
DFDN150	19	150	25 <sup>1</sup> / <sub>32</sub>	652	8 <sup>7</sup> / <sub>32</sub>	225	9 <sup>5</sup> / <sub>16</sub>	237	—	—	—	—	¼, ½, ¾, 1, 1¼, 1½, 2, 2½
DFDN225	19	225	25 <sup>1</sup> / <sub>32</sub>	652	8 <sup>7</sup> / <sub>32</sub>	225	9 <sup>5</sup> / <sub>16</sub>	237	—	—	—	—	¼, ½, ¾, 1, 1¼, 1½, 2, 2½
DJDN250	36	250	37 <sup>1</sup> / <sub>32</sub>	953	11 <sup>1</sup> / <sub>16</sub>	294	10 <sup>7</sup> / <sub>32</sub>	260	—	—	—	—	¼, ½, 2, 2½, 3
DKDN400	53	400	41 <sup>1</sup> / <sub>16</sub>	1059	11¾	298	14 <sup>1</sup> / <sub>16</sub>	357	—	—	—	—	¼, ½, ¾, 1, 1½, 2, 2½, 3, 3½



**NEMA 3R Rainproof**

RGDN100	14	100	19 <sup>2</sup> / <sub>32</sub>	458	8 <sup>7</sup> / <sub>32</sub>	225	9 <sup>5</sup> / <sub>16</sub>	237	18 <sup>1</sup> / <sub>32</sub>	471	1 <sup>4</sup> / <sub>64</sub>	43	¼, ½, ¾, 1, 1¼, 2, 2½
RFDN100	14	100	19 <sup>2</sup> / <sub>32</sub>	458	8 <sup>7</sup> / <sub>32</sub>	225	9 <sup>5</sup> / <sub>16</sub>	237	18 <sup>1</sup> / <sub>32</sub>	471	1 <sup>4</sup> / <sub>64</sub>	43	¼, ½, ¾, 1, 1¼, 2, 2½
RFDN150	19	150	25 <sup>1</sup> / <sub>32</sub>	603	8 <sup>7</sup> / <sub>32</sub>	225	9 <sup>5</sup> / <sub>16</sub>	237	24 <sup>1</sup> / <sub>32</sub>	617	1 <sup>4</sup> / <sub>64</sub>	43	¼, ½, ¾, 1, 1¼, 2, 2½
RFDN225	19	225	25 <sup>1</sup> / <sub>32</sub>	603	8 <sup>7</sup> / <sub>32</sub>	225	9 <sup>5</sup> / <sub>16</sub>	237	24 <sup>1</sup> / <sub>32</sub>	617	1 <sup>4</sup> / <sub>64</sub>	43	¼, ½, ¾, 1, 1¼, 2, 2½
RJDN250	40	250	37½	891	11 <sup>1</sup> / <sub>16</sub>	294	10 <sup>7</sup> / <sub>32</sub>	260	35 <sup>9</sup> / <sub>64</sub>	909	1 <sup>5</sup> / <sub>16</sub>	49	¼, ½, 2, 2½, 3
RKDN400	60	400	41 <sup>1</sup> / <sub>16</sub>	997	11¾	298	14 <sup>1</sup> / <sub>16</sub>	357	39 <sup>5</sup> / <sub>16</sub>	1014	1 <sup>3</sup> / <sub>32</sub>	50	¼, ½, ¾, 2½, 3, 3½
RLDN600	84	600	48 <sup>1</sup> / <sub>16</sub>	1227	14 <sup>2</sup> / <sub>32</sub>	379	15½	394	46 <sup>1</sup> / <sub>16</sub>	1183	1 <sup>5</sup> / <sub>64</sub>	49	¼, ½, ¾, 3, 3½, 4
RNDN1200	175	1200	63 <sup>1</sup> / <sub>32</sub>	1615	22	559	17¾	448	61 <sup>1</sup> / <sub>32</sub>	1571	1 <sup>3</sup> / <sub>32</sub>	50	

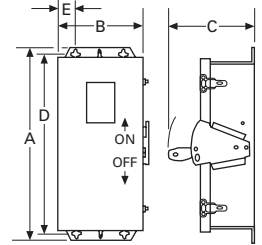


Dimensions and Shipping Weights

Not to be used for construction purposes unless approved.  
Inches and Millimeters.

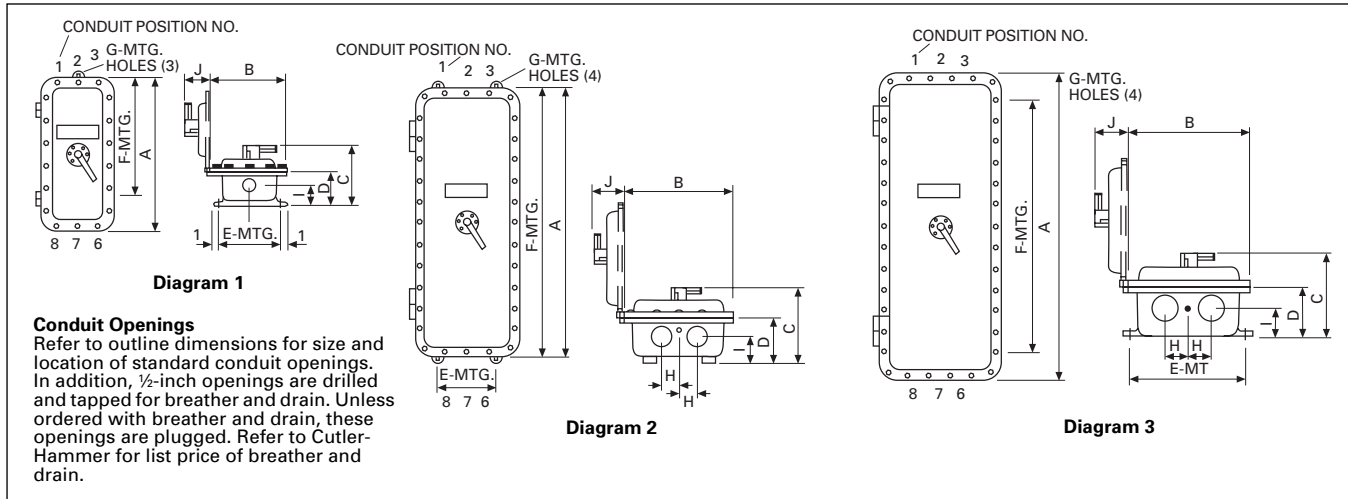
NEMA 4/4X, 5 Stainless Steel

Catalog Number	App. Wt. Lbs.	Max. Amperes	Dimensions									
			A		B		C		D		E	
			Inches	mm	Inches	mm	Inches	mm	Inches	mm	Inches	mm
WGDN100	16	100	19 <sup>3</sup> / <sub>32</sub>	506	8 <sup>2</sup> / <sub>32</sub>	225	9 <sup>5</sup> / <sub>16</sub>	237	18 <sup>1</sup> / <sub>2</sub>	471	1 <sup>4</sup> / <sub>64</sub>	43
WFDN100	16	100	19 <sup>3</sup> / <sub>32</sub>	506	8 <sup>2</sup> / <sub>32</sub>	225	9 <sup>5</sup> / <sub>16</sub>	237	18 <sup>1</sup> / <sub>2</sub>	471	1 <sup>4</sup> / <sub>64</sub>	43
WFDN150	20	150	25 <sup>2</sup> / <sub>32</sub>	652	8 <sup>2</sup> / <sub>32</sub>	225	9 <sup>5</sup> / <sub>16</sub>	237	24 <sup>3</sup> / <sub>32</sub>	617	1 <sup>4</sup> / <sub>64</sub>	43
WFDN225	20	225	25 <sup>2</sup> / <sub>32</sub>	652	8 <sup>2</sup> / <sub>32</sub>	225	9 <sup>5</sup> / <sub>16</sub>	237	24 <sup>3</sup> / <sub>32</sub>	617	1 <sup>4</sup> / <sub>64</sub>	43
WJDN250	39	250	37 <sup>1</sup> / <sub>2</sub>	953	11 <sup>9</sup> / <sub>16</sub>	294	10 <sup>7</sup> / <sub>32</sub>	260	35 <sup>9</sup> / <sub>64</sub>	909	1 <sup>5</sup> / <sub>16</sub>	49
WKDN400	60	400	41 <sup>1</sup> / <sub>16</sub>	1059	11 <sup>3</sup> / <sub>4</sub>	298	14 <sup>1</sup> / <sub>16</sub>	357	39 <sup>5</sup> / <sub>16</sub>	1014	1 <sup>3</sup> / <sub>32</sub>	50
WLDN600	88	600	48 <sup>5</sup> / <sub>16</sub>	1227	14 <sup>29</sup> / <sub>32</sub>	379	15 <sup>1</sup> / <sub>2</sub>	394	46 <sup>9</sup> / <sub>16</sub>	1183	1 <sup>5</sup> / <sub>64</sub>	49
WNDN1200	185	1200	63 <sup>3</sup> / <sub>32</sub>	1545	22	559	17 <sup>7</sup> / <sub>8</sub>	448	61 <sup>2</sup> / <sub>32</sub>	1571	1 <sup>3</sup> / <sub>32</sub>	50



NEMA 4/4X, 5 Stainless Steel

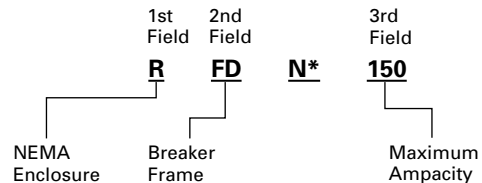
Catalog Number	Breaker Size (Amperes)	Overall Enclosure				Enclosure Mounting			Conduit		Hinged Cover	Standard Conduit		Weight (lbs.)	Dia. No.
		A	B	C	D	E	F	G	H	I	J	Size	Location		
XFDN050	50	15	10 <sup>5</sup> / <sub>8</sub>	8 <sup>3</sup> / <sub>4</sub>	5 <sup>1</sup> / <sub>16</sub>	9	12	1/2	1 <sup>3</sup> / <sub>4</sub>	3 <sup>3</sup> / <sub>4</sub>	2 <sup>5</sup> / <sub>8</sub>	1 <sup>1</sup> / <sub>4</sub>	2 & 7	34	1
XFDN225	100/225	25 <sup>1</sup> / <sub>2</sub>	12 <sup>1</sup> / <sub>2</sub>	10 <sup>5</sup> / <sub>8</sub>	7 <sup>5</sup> / <sub>8</sub>	10 <sup>1</sup> / <sub>2</sub>	20	1/2	2	3 <sup>3</sup> / <sub>4</sub>	4 <sup>3</sup> / <sub>4</sub>	2	2 & 7	70	1
XJDN250	250	38 <sup>1</sup> / <sub>2</sub>	13	11 <sup>1</sup> / <sub>4</sub>	8 <sup>3</sup> / <sub>4</sub>	11 <sup>1</sup> / <sub>2</sub>	28	1/2	2 <sup>1</sup> / <sub>2</sub>	3 <sup>1</sup> / <sub>2</sub>	5 <sup>1</sup> / <sub>2</sub>	2 <sup>1</sup> / <sub>2</sub>	2 & 7	120	1
XKDN400	400	44 <sup>3</sup> / <sub>4</sub>	18	12 <sup>3</sup> / <sub>4</sub>	9 <sup>3</sup> / <sub>4</sub>	10	45	1/2	3	4	5 <sup>1</sup> / <sub>2</sub>	3	1, 3 & 6, 8	180	2
XMCN800	600/800	50 <sup>3</sup> / <sub>4</sub>	20 <sup>3</sup> / <sub>4</sub>	15	12 <sup>1</sup> / <sub>2</sub>	22	40	1/2	4	5	6	4	1, 3 & 6, 8	460	3
XNDN1200	1200	65	25	15 <sup>1</sup> / <sub>4</sub>	12 <sup>3</sup> / <sub>4</sub>	23 <sup>1</sup> / <sub>2</sub>	50	1/2	6 <sup>1</sup> / <sub>2</sub>	4 <sup>3</sup> / <sub>4</sub>	7	4	1, 3 & 6, 8	600	3



**Conduit Openings**  
Refer to outline dimensions for size and location of standard conduit openings. In addition, 1/2-inch openings are drilled and tapped for breather and drain. Unless ordered with breather and drain, these openings are plugged. Refer to Cutler-Hammer for list price of breather and drain.

Circuit Breaker Enclosure Interpretation Data

1st Field Enclosure Type	2nd Field Breaker Family	3rd Field Maximum Ampacity
NEMA 1	Flush	F
	Surface	S
NEMA 3R		R
NEMA 12		J
NEMA 12K		D
NEMA 4, 4X, 5	Stainless	W
NEMA 7/9	Cast Al.	X
	G-Frame	50
	F-Frame	100
	J-Frame	150
	K-Frame	225
	L-Frame	250
	M-Frame	400
	N-Frame	600
		1200



\* "N" in this position indicates enclosure complies with 1981 NEC gutter space requirement.

① Power cables must enter and leave from opposite ends (through feed).

## Standards

Series C<sup>®</sup> molded case circuit breakers are designed to conform with the following standards:

- Underwriters Laboratories, Inc., Standard UL 489, Molded Case Circuit Breakers and Circuit Breaker Enclosures
- National Electrical Manufacturers Association Standards Publication No. AB1-1993, Molded Case Circuit Breakers
- Australian Standard AS 2184, Molded Case Circuit Breakers
- British Standards Institution Standard BS 4752: Part 1, Switchgear and Control Gear Part 1: Circuit Breakers
- Canadian Standards Association Standard C22.2 No. 5, Service Entrance and Branch Circuit Breakers
- International Electrotechnical Commission Recommendations IEC 157-1, Circuit Breakers
- Japanese T-Mark Standard Molded Case Circuit Breakers
- South African Bureau of Standards, Standard SABS 156, Standard Specification for Molded Case Circuit Breakers
- Swiss Electro-Technical Association Standard SEV 157-1, Safety Regulations for Circuit Breakers
- Union Technique de l'Electricite Standard NF C 63-120, Low Voltage Switchgear and Control Gear Circuit Breaker Requirements
- Verband Deutscher Elektrotechniker (Association of German Electrical Engineers) Standard VDE 0660, Low Voltage Switchgear and Control Gear, Circuit Breakers

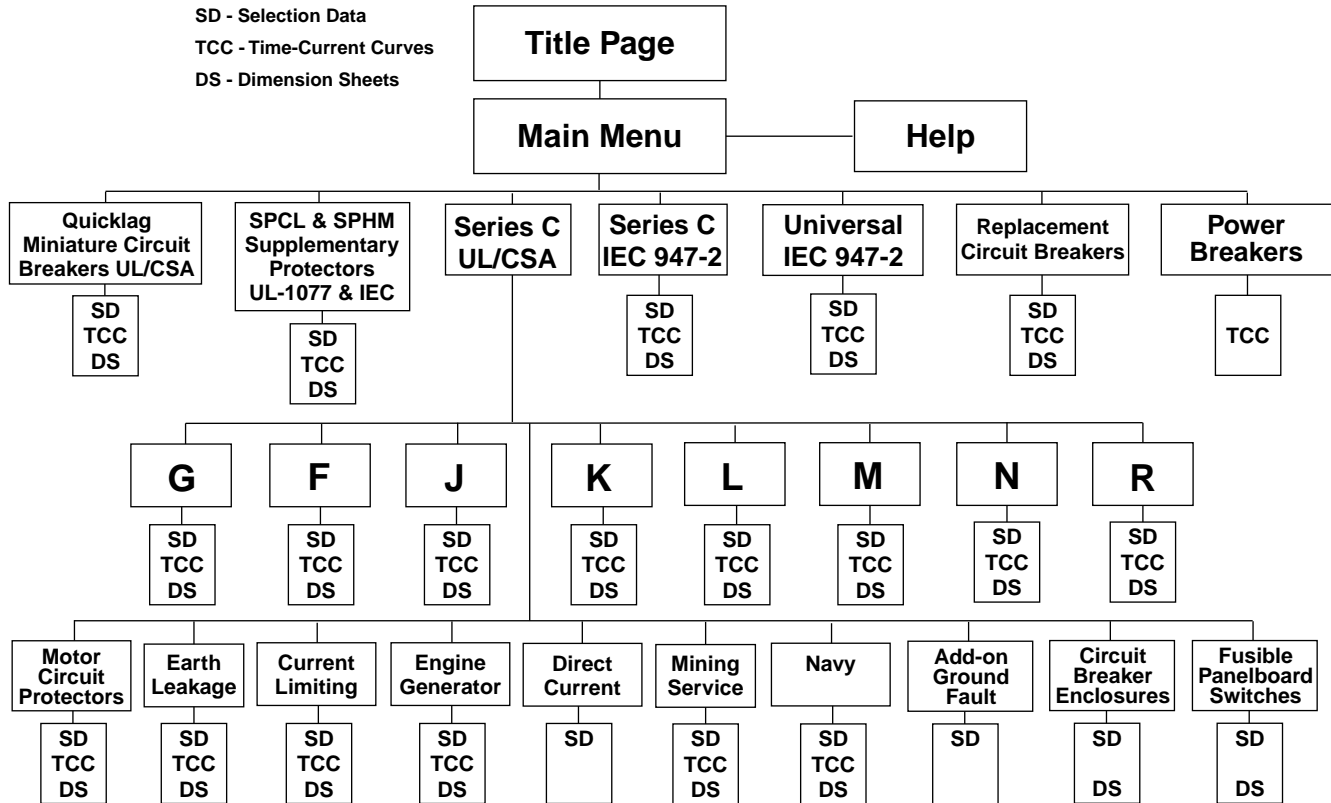
Conformance with these standards satisfies most local and international codes, assuming user acceptability and simplified application.

Series C molded case circuit breakers equal or exceed Federal Specification Classification W-C-375b requirements for the particular class associated with the circuit breaker frame being considered.

## Further Information

Circuit Breaker  
CD-ROM SA.74A.01.T.E

## Navigation Chart of CD-ROM



## System Requirements

- Processor: 486 or faster (Pentium® or Pentium Pro recommended)
- Operating System: Microsoft Windows 95, Windows 98, Windows NT 3.5, or Windows NT 4.0
- Memory: 8 MB of available RAM (16 MB recommended)
- Available Hard Disk Storage Space: 12 MB
- Devices: a CD-ROM drive and a mouse
- Monitor: minimum 640 x 480 resolution and 8-bit color (256 colors)

## Installation Instructions

- This is an autorun CD. Just insert this disk in the CD-ROM drive and wait for it to launch.

CD-ROM Installation Help Line: U.S.: 1-800-270-5134  
Outside of the United States: Contact your local Cutler-Hammer sales office.

If the CD is not included in this Product Guide, contact Cutler-Hammer Fulfillment Center at 1-800-957-7050 and ask for SA.74A.01.T.E.