



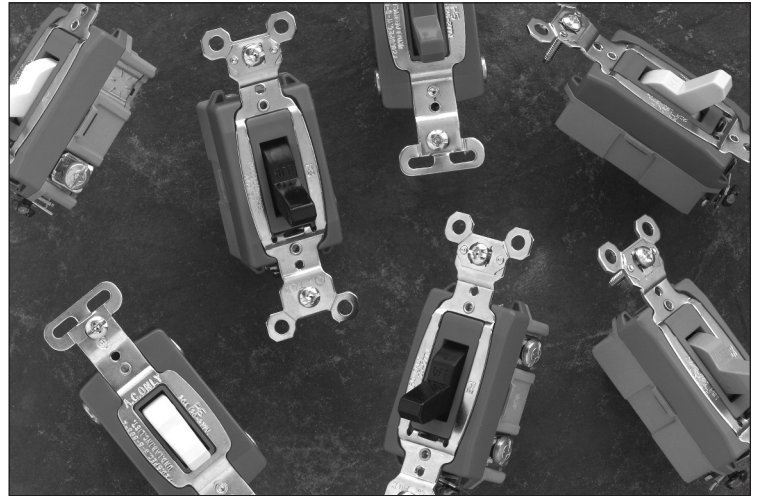
Pass & Seymour

# Switches Extra Heavy-Duty 15, 20 & 30A, 120/277VAC

**PS15AC1, PS15AC2, PS15AC3, PS15AC4, PS20AC1, PS20AC2, PS20AC3, PS20AC4, PS30AC1, PS30AC2, PS30AC3**

**Extra heavy-duty switches with quiet operation and a smooth feel.**

**D**esigned to withstand abuse and constant use in demanding applications, these durable switches virtually eliminate contact bounce and arcing. Featuring auto-ground and external, screw-pressure-plate back wiring on all terminals for fast, easy installation and excellent electrical connection. Oversize silver alloy contacts help ensure long life and better heat dissipation.



## Features & Benefits

**One-piece nickel-plated brass strap** for superior corrosion-resistance.

**Cam control and spring actuator** for positive "makes and breaks" with a minimum of arcing.

**Heavy-duty bumpers** for quiet, smooth operation.

**Oversized silver-alloy contacts** for long life and better heat dissipation.

**Heavy-duty, brass alloy, one-piece contact arm** virtually eliminates contact bounce.

**Shallow design** for easier installation.

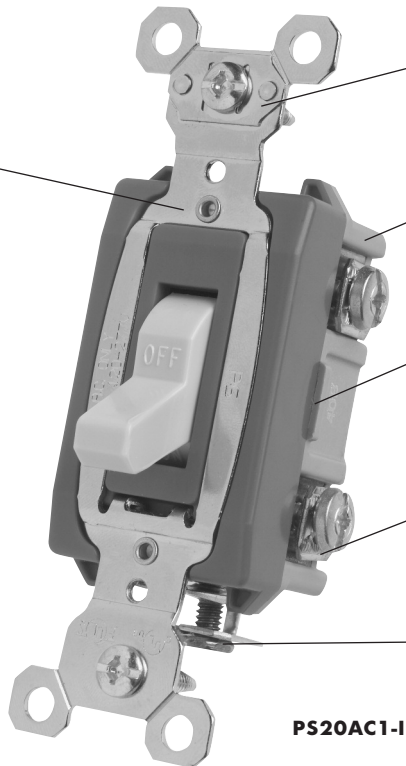
**Auto-ground clip** assures positive ground.

**Glass-reinforced nylon back body** for durability and strength.

**Locking support** provides resistance to face and back body separation.

**Side and external screw-pressure-plate back wire** with #14 – #10 AWG copper or copper-clad wire.

**Grounding terminal** is standard with screw-pressure-plate back wire.



PS20AC1-I

## Field Uses/Vertical Markets

- Industrial
- Health Care
- Education
- Institutional



Pass & Seymour

# Switches Extra Heavy-Duty 15, 20 & 30A, 120/277VAC

## Ordering Information

Catalog Number				Rating	Color
Single Pole	Double Pole	Three-Way	Four-Way	A. VAC	
<b>Toggle Switches Back &amp; Side Wire</b>					
PS15AC1-I	PS15AC2-I	PS15AC3-I	PS15AC4-I	15 120/277	Ivory
PS15AC1-W	PS15AC2-W	PS15AC3-W	PS15AC4-W	15 120/277	White
PS15AC1	PS15AC2	PS15AC3	PS15AC4	15 120/277	Brown
PS15AC1-GRY	PS15AC2-GRY	PS15AC3-GRY	PS15AC4-GRY	15 120/277	Gray
PS15AC1-LA	PS15AC2-LA	PS15AC3-LA	PS15AC4-LA	15 120/277	Light Almond
PS20AC1-I	PS20AC2-I	PS20AC3-I		20 120/277	Ivory
PS20AC1-W	PS20AC2-W	PS20AC3-W	PS20AC4-W	20 120/277	White
PS20AC1	PS20AC2	PS20AC3	PS20AC4	20 120/277	Brown
PS20AC1-GRY	PS20AC2-GRY	PS20AC3-GRY	PS20AC4-GRY	20 120/277	Gray
PS20AC1-BK	PS20AC2-BK	PS20AC3-BK	PS20AC4-BK	20 120/277	Black
PS20AC1-RED	PS20AC2-RED	PS20AC3-RED	PS20AC4-RED	20 120/277	Red
PS20AC1-LA	PS20AC2-LA	PS20AC3-LA	PS20AC4-LA	20 120/277	Light Almond
PS30AC1-I	PS30AC2-I	PS30AC3-I		30 120/277	Ivory
	PS30AC2-W			30 120/277	White
PS30AC1	PS30AC2	PS30AC3		30 120/277	Brown

For more information on these and other P&S products refer to our Catalog or visit our web site.

# Switches Extra Heavy-Duty 15, 20 & 30A, 120/277VAC



Pass & Seymour

## Technical Specifications

3rd Party Compliance	
UL Listed, File Number E140597, Standard UL20, General Use Snap Switches. Federal Specification WS896.	
cULus Listed, File Number LR17446, Standard CSA-C22.2 No. 111, General Use Snap Switches. Conforms to NEMA WD-1 and WD-6.	

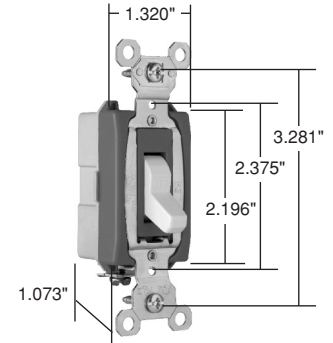
Performance	
<b>Electrical</b>	
Dielectric Withstand Voltage	1500V Minimum
Maximum Working Voltage	277VAC
Overload	Minimum 4.8 times rated current for 100 cycles
Temperature Rise	30°C maximum at rated current
Maximum Continuous Current	15, 20 and 30 Amps
Endurance	50,000 cycles minimum, resistive, inductive, tungsten filament lamp load (Fed Spec)
<b>Mechanical</b>	
Terminal Accommodations	#14 AWG – #10 AWG
<b>Environmental</b>	
Flammability	UL94 V2
Operating Temperature	Maximum continuous +115°C, minimum -40°C

Materials			
Back Body	Glass-Reinforced Nylon	Contacts	Silver Cadmium Oxide
Front Body	Nylon	Spring Arm	Brass
Toggle	Thermoplastic Polycarbonate	Bumper	Rubber
Terminals	Brass	Spring	Zinc-Plated Steel
Terminal Screws	Tri-Drive Brass	Ground Terminal	Brass
Strap	Nickel-Plated Brass	Ground Screw	Tri-Drive Zinc-Plated Steel
Pressure Plate	Brass	Auto-Ground Clip	Nickel-Plated Brass

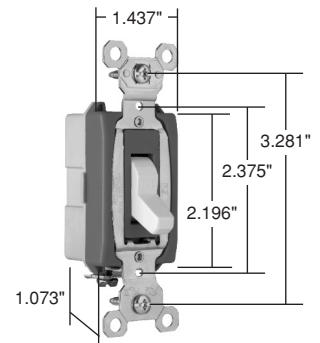
- 15 Amp Cover      Blue
- 20 Amp Cover     Red
- 30 Amp Cover     Green

### Warranty

1 Year

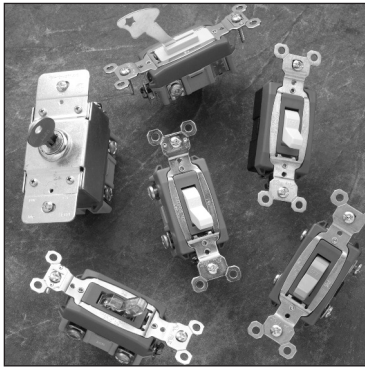


Dimensions for  
15 & 20 Amp



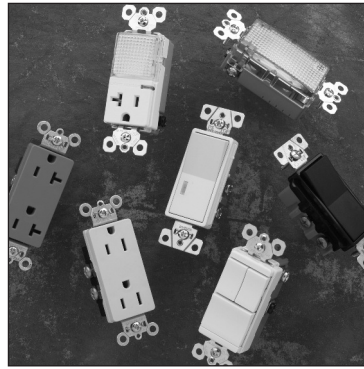
Dimensions for  
30 Amp

## Complimentary Devices & Accessories



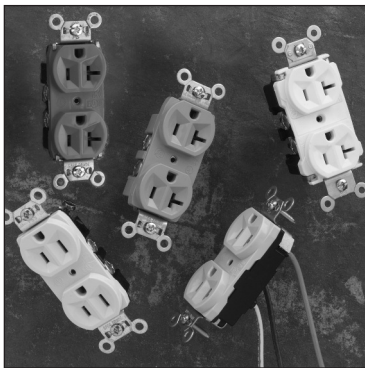
### SWITCHES

- Heavy-Duty Lighted Toggle
- Heavy-Duty Security
- Heavy-Duty Locking
- Construction Grade Toggle
- Commercial Grade Toggle



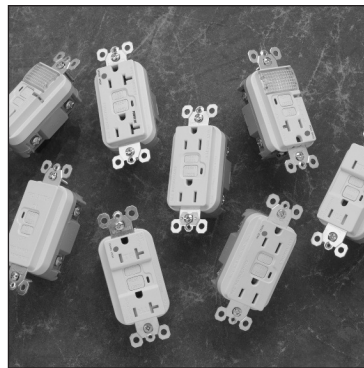
### DECORATOR DEVICES

- Construction Grade Switches
- Specification Grade Combo Switches
- Construction Grade Receptacles
- Commercial Grade Receptacles
- Specification Grade Hallway Lights



### STRAIGHT BLADE RECEPTACLES

- Extra Heavy-Duty
- Heavy-Duty
- Hard Use
- Construction Grade
- Construction Grade Leaded
- Commercial Grade



### GFCIs

- Specification Grade
- Hospital Grade
- Dead Front



### WALL PLATES

- TradeMaster® Thermoplastic Nylon
- Screwless Polycarbonate
- Stainless Steel
- Brass
- Aluminum
- Dustproof Stainless Steel Covers

## Also available...

- Light Almond Devices
- Hospital Grade Devices
- PlugTail™ Devices
- TVSS & Isolated Ground Devices
- Ground Continuity Monitoring (GCM)
- Straight Blade Plugs & Connectors
- Turnlok® Locking Devices
- Weatherproof Boxes & Covers
- IEC 309 Industrial Products
- Flexcor® Wire Mesh Grips
- Configurable Solutions



**Legrand/Pass & Seymour**  
P.O. Box 4822  
Syracuse, NY 13221-4822  
800-223-4185

**North America Headquarters**  
60 Woodlawn Street  
West Hartford, CT 06110  
Phone: 1.877.BY.LEGRAND (295.3472)  
Fax: 1.860.232.2062  
www.legrand.us

**Legrand Canada**  
570 Applewood Crescent  
Vaughan, ON, L4K 4B4  
Phone: 905.738.9195  
Fax: 905.738.9721  
www.legrand.ca