



These Plasti-Bond REDH₂OT sealing fittings should be used with a suitable system of sealing compound, such as Chico A, Chico X or Chico A-P from Crouse-Hinds. Chico Speed Seal may be used on EYS or EYD sizes 1/2" - 2". Follow the installation instructions included with the sealing compound and properly tag after installation to ensure correct classification ratings.

Sealing Fittings

Description:

Plasti-Bond REDH₂OT Sealing Fittings are used in conduit runs to stop gasses, vapors or flames from migrating from one part of the conduit system to another. This limits the spread of any potential explosion, enhancing safety. The PVC and urethane coatings of the fittings protects them from corrosive atmospheres so they can continue to function in hazardous locations. These fittings are available in several different configurations and with optional breathers and drains to accommodate installation in a variety of locations and positions. The EYD, EYDX and EZD styles of fittings are for installation in vertical conduit runs. The EYS and EYSX style fittings are for installation in either vertical or horizontal runs. The EZS style fitting may be used in any angle of conduit run.

Features:

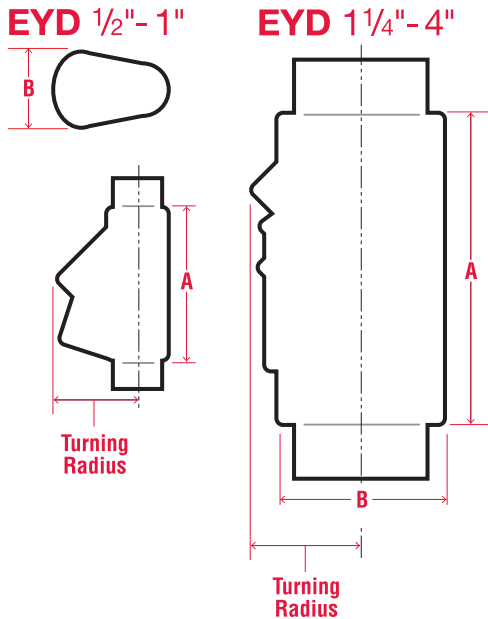
- 40 mil gray PVC exterior coating
- 2 mil red urethane interior coating
- 10 trade sizes from 1/2" through 4"
- Sealing sleeves on all conduit openings
- P5SA™ Plug Verification to ensure proper plug engagement
- EYDX and EYSX seals have 40% wire fill capacity
- EYD and EZD fittings include a drain for condensate
- EZD fittings may be used at any conduit angle and include drain

Standards:

- UL 1203 (E476062)
- CSA C22.2 No. 30
- NEC/CEC:
 - EYS 1-3, 11-31, 16-36, 116-316
 - Class I, Division 1 & 2, Groups A, B, C, D
 - Class II, Division 1, Groups E, F, G
 - Class II, Division 2, Groups F, G
 - Class III
 - EYS 41-61, 416-1016, EYSX 11-81, EYDX 11-81
 - Class I, Division 1 & 2, Groups B, C, D
 - Class II, Division 1, Groups E, F, G
 - Class II, Division 2, Groups F, G
 - Class III
 - EYS 29, 4-10, 46-106, EZS 1-8, 16-86, EYD 1-10, 16-106, EZD 10-60, 111-611
 - Class I, Division 1 & 2, Groups C, D
 - Class II, Division 1, Groups F, G
 - Class II, Division 2, Groups F, G
 - Class III
 - EYSX 9-10
 - Class I, Division 1 & 2, Groups C, D
 - Class II, Division 1, Groups E, F, G
 - Class II, Division 2, Groups F, G
 - Class III

Sealing Fittings Technical Data

These Plasti-Bond REDH₂OT sealing fittings should be used with a suitable system of sealing compound, such as Chico A, Chico X or Chico A-P from Crouse-Hinds. Chico Speed Seal may be used on EYS or EYD sizes 1/2" - 2". Follow the installation instructions included with the sealing compound and properly tag after installation to ensure correct classification ratings.



EYD - FEMALE HUBS WITH DRAIN.

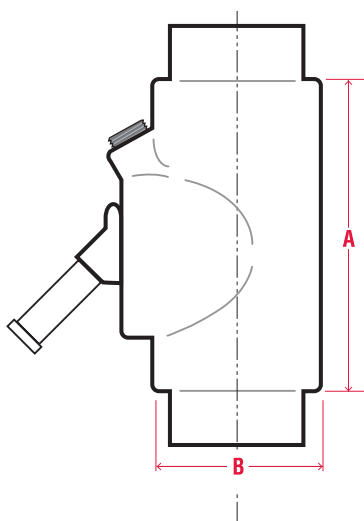
FOR SEALING IN VERTICAL POSITIONS ONLY.

| PIPE SIZE | FERROUS CATALOG # | NOMINAL WEIGHT | A | B | TURNING RADIUS | ALUMINUM CATALOG # |
|-----------|-------------------|----------------|------|------|----------------|--------------------|
| 1/2" | PREYD1 | 1.4 | 3.28 | 1.33 | 1.63 | PREYD1SA |
| 3/4" | PREYD2 | 1.7 | 3.69 | 1.58 | 1.91 | PREYD2SA |
| 1" | PREYD3 | 2.3 | 4.31 | 2.27 | 2.38 | PREYD3SA |
| 1-1/4" | PREYD4 | 2.5 | 5.06 | 2.27 | 1.84 | PREYD4SA |
| 1-1/2" | PREYD5 | 4.0 | 5.50 | 2.52 | 2.06 | PREYD5SA |
| 2" | PREYD6 | 4.7 | 6.25 | 3.08 | 2.31 | PREYD6SA |
| 2-1/2" | PREYD7 | 9.0 | 7.50 | 3.58 | 2.69 | PREYD7SA |
| 3" | PREYD8 | 10.2 | 8.50 | 4.33 | 3.31 | PREYD8SA |
| 3-1/2" | PREYD9 | 10.5 | 9.19 | 4.83 | 3.44 | PREYD9SA |
| 4" | PREYD10 | 4.0 | 9.75 | 5.33 | 3.50 | PREYD10SA |

EYD - MALE/FEMALE HUBS WITH DRAIN.

FOR SEALING IN VERTICAL POSITIONS ONLY.

| PIPE SIZE | FERROUS CATALOG # | NOMINAL WEIGHT | A | B | TURNING RADIUS | ALUMINUM CATALOG # |
|-----------|-------------------|----------------|------|------|----------------|--------------------|
| 1/2" | PREYD16 | 2.7 | 3.28 | 1.33 | 1.63 | PREYD16SA |
| 3/4" | PREYD26 | 2.8 | 3.69 | 1.58 | 1.91 | PREYD26SA |
| 1" | PREYD36 | 2.9 | 4.31 | 2.27 | 2.38 | PREYD36SA |
| 1-1/4" | PREYD46 | 2.6 | 5.06 | 2.27 | 1.84 | PREYD46SA |
| 1-1/2" | PREYD56 | 3.7 | 5.50 | 2.52 | 2.06 | PREYD56SA |
| 2" | PREYD66 | 5.2 | 6.25 | 3.08 | 2.31 | PREYD66SA |
| 2-1/2" | PREYD76 | 9.5 | 7.50 | 3.58 | 2.69 | PREYD76SA |
| 3" | PREYD86 | 11.3 | 8.50 | 4.33 | 3.31 | PREYD86SA |
| 3-1/2" | PREYD96 | 12.5 | 9.19 | 4.83 | 3.44 | PREYD96SA |
| 4" | PREYD106 | 16.7 | 9.75 | 5.33 | 3.50 | PREYD106SA |



EYDX - EXPANDED FILL FEMALE HUBS WITH DRAIN.

FOR SEALING IN VERTICAL POSITIONS ONLY.

| PIPE SIZE | FERROUS CATALOG # | NOMINAL WEIGHT | A | B | TURNING RADIUS | ALUMINUM CATALOG # |
|-----------|-------------------|----------------|------|------|----------------|--------------------|
| 1/2" | PREYDX11 | 1.7 | 3.69 | 1.83 | 1.91 | PREYDX1SA |
| 3/4" | PREYDX21 | 2.3 | 4.31 | 2.27 | 2.38 | PREYDX2SA |
| 1" | PREYDX31 | 2.5 | 5.06 | 2.27 | 1.84 | PREYDX3SA |
| 1-1/4" | PREYDX41 | 4.0 | 6.25 | 3.08 | 2.31 | PREYDX4SA |
| 1-1/2" | PREYDX51 | 4.7 | 6.25 | 3.08 | 2.31 | PREYDX5SA |
| 2" | PREYDX61 | 9.0 | 8.50 | 4.33 | 3.31 | PREYDX6SA |
| 2-1/2" | PREYDX71 | 10.2 | 9.19 | 4.83 | 3.44 | PREYDX7SA |
| 3" | PREYDX81 | 10.5 | 9.75 | 5.33 | 3.50 | PREYDX8SA |



These Plasti-Bond REDH₂OT sealing fittings should be used with a suitable system of sealing compound, such as Chico A, Chico X or Chico A-P from Crouse-Hinds. Chico Speed Seal may be used on EYS or EYD sizes 1/2" - 2". Follow the installation instructions included with the sealing compound and properly tag after installation to ensure correct classification ratings.

Sealing Fittings

Description:

Plasti-Bond REDH₂OT Sealing Fittings are used in conduit runs to stop gasses, vapors or flames from migrating from one part of the conduit system to another. This limits the spread of any potential explosion, enhancing safety. The PVC and urethane coatings of the fittings protects them from corrosive atmospheres so they can continue to function in hazardous locations. These fittings are available in several different configurations and with optional breathers and drains to accommodate installation in a variety of locations and positions. The EYD, EYDX and EZD styles of fittings are for installation in vertical conduit runs. The EYS and EYSX style fittings are for installation in either vertical or horizontal runs. The EZS style fitting may be used in any angle of conduit run.

Features:

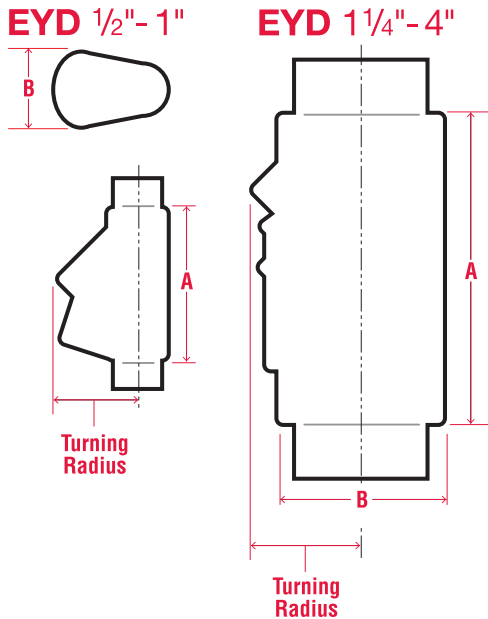
- 40 mil gray PVC exterior coating
- 2 mil red urethane interior coating
- 10 trade sizes from 1/2" through 4"
- Sealing sleeves on all conduit openings
- P5SA™ Plug Verification to ensure proper plug engagement
- EYDX and EYSX seals have 40% wire fill capacity
- EYD and EZD fittings include a drain for condensate
- EZD fittings may be used at any conduit angle and include drain

Standards:

- UL 1203 (E476062)
- CSA C22.2 No. 30
- NEC/CEC:
 - EYS 1-3, 11-31, 16-36, 116-316
 - Class I, Division 1 & 2, Groups A, B, C, D
 - Class II, Division 1, Groups E, F, G
 - Class II, Division 2, Groups F, G
 - Class III
 - EYS 41-61, 416-1016, EYSX 11-81, EYDX 11-81
 - Class I, Division 1 & 2, Groups B, C, D
 - Class II, Division 1, Groups E, F, G
 - Class II, Division 2, Groups F, G
 - Class III
 - EYS 29, 4-10, 46-106, EZS 1-8, 16-86, EYD 1-10, 16-106, EZD 10-60, 111-611
 - Class I, Division 1 & 2, Groups C, D
 - Class II, Division 1, Groups F, G
 - Class II, Division 2, Groups F, G
 - Class III
 - EYSX 9-10
 - Class I, Division 1 & 2, Groups C, D
 - Class II, Division 1, Groups E, F, G
 - Class II, Division 2, Groups F, G
 - Class III

Sealing Fittings Technical Data

These Plasti-Bond REDH₂OT sealing fittings should be used with a suitable system of sealing compound, such as Chico A, Chico X or Chico A-P from Crouse-Hinds. Chico Speed Seal may be used on EYS or EYD sizes 1/2" - 2". Follow the installation instructions included with the sealing compound and properly tag after installation to ensure correct classification ratings.



EYD - FEMALE HUBS WITH DRAIN.

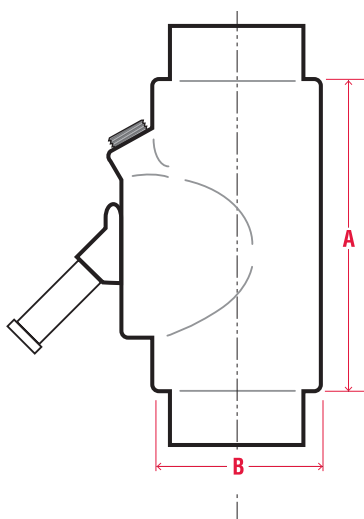
FOR SEALING IN VERTICAL POSITIONS ONLY.

| PIPE SIZE | FERROUS CATALOG # | NOMINAL WEIGHT | A | B | TURNING RADIUS | ALUMINUM CATALOG # |
|-----------|-------------------|----------------|------|------|----------------|--------------------|
| 1/2" | PREYD1 | 1.4 | 3.28 | 1.33 | 1.63 | PREYD1SA |
| 3/4" | PREYD2 | 1.7 | 3.69 | 1.58 | 1.91 | PREYD2SA |
| 1" | PREYD3 | 2.3 | 4.31 | 2.27 | 2.38 | PREYD3SA |
| 1-1/4" | PREYD4 | 2.5 | 5.06 | 2.27 | 1.84 | PREYD4SA |
| 1-1/2" | PREYD5 | 4.0 | 5.50 | 2.52 | 2.06 | PREYD5SA |
| 2" | PREYD6 | 4.7 | 6.25 | 3.08 | 2.31 | PREYD6SA |
| 2-1/2" | PREYD7 | 9.0 | 7.50 | 3.58 | 2.69 | PREYD7SA |
| 3" | PREYD8 | 10.2 | 8.50 | 4.33 | 3.31 | PREYD8SA |
| 3-1/2" | PREYD9 | 10.5 | 9.19 | 4.83 | 3.44 | PREYD9SA |
| 4" | PREYD10 | 4.0 | 9.75 | 5.33 | 3.50 | PREYD10SA |

EYD - MALE/FEMALE HUBS WITH DRAIN.

FOR SEALING IN VERTICAL POSITIONS ONLY.

| PIPE SIZE | FERROUS CATALOG # | NOMINAL WEIGHT | A | B | TURNING RADIUS | ALUMINUM CATALOG # |
|-----------|-------------------|----------------|------|------|----------------|--------------------|
| 1/2" | PREYD16 | 2.7 | 3.28 | 1.33 | 1.63 | PREYD16SA |
| 3/4" | PREYD26 | 2.8 | 3.69 | 1.58 | 1.91 | PREYD26SA |
| 1" | PREYD36 | 2.9 | 4.31 | 2.27 | 2.38 | PREYD36SA |
| 1-1/4" | PREYD46 | 2.6 | 5.06 | 2.27 | 1.84 | PREYD46SA |
| 1-1/2" | PREYD56 | 3.7 | 5.50 | 2.52 | 2.06 | PREYD56SA |
| 2" | PREYD66 | 5.2 | 6.25 | 3.08 | 2.31 | PREYD66SA |
| 2-1/2" | PREYD76 | 9.5 | 7.50 | 3.58 | 2.69 | PREYD76SA |
| 3" | PREYD86 | 11.3 | 8.50 | 4.33 | 3.31 | PREYD86SA |
| 3-1/2" | PREYD96 | 12.5 | 9.19 | 4.83 | 3.44 | PREYD96SA |
| 4" | PREYD106 | 16.7 | 9.75 | 5.33 | 3.50 | PREYD106SA |



EYDX - EXPANDED FILL FEMALE HUBS WITH DRAIN.

FOR SEALING IN VERTICAL POSITIONS ONLY.

| PIPE SIZE | FERROUS CATALOG # | NOMINAL WEIGHT | A | B | TURNING RADIUS | ALUMINUM CATALOG # |
|-----------|-------------------|----------------|------|------|----------------|--------------------|
| 1/2" | PREYDX11 | 1.7 | 3.69 | 1.83 | 1.91 | PREYDX1SA |
| 3/4" | PREYDX21 | 2.3 | 4.31 | 2.27 | 2.38 | PREYDX2SA |
| 1" | PREYDX31 | 2.5 | 5.06 | 2.27 | 1.84 | PREYDX3SA |
| 1-1/4" | PREYDX41 | 4.0 | 6.25 | 3.08 | 2.31 | PREYDX4SA |
| 1-1/2" | PREYDX51 | 4.7 | 6.25 | 3.08 | 2.31 | PREYDX5SA |
| 2" | PREYDX61 | 9.0 | 8.50 | 4.33 | 3.31 | PREYDX6SA |
| 2-1/2" | PREYDX71 | 10.2 | 9.19 | 4.83 | 3.44 | PREYDX7SA |
| 3" | PREYDX81 | 10.5 | 9.75 | 5.33 | 3.50 | PREYDX8SA |