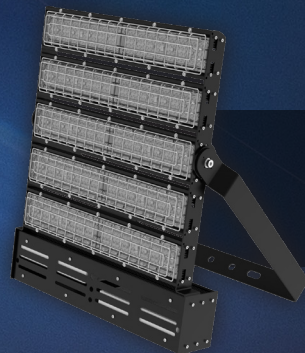


PFME LED Floodlighting for industrial areas



Safe. Reliable. Efficient.
15,000 to 75,000 lumens



Powering Business Worldwide

Safe. Reliable. Efficient.

Featuring a broad range of LED luminaires for harsh, hazardous and industrial environments, Eaton Crouse-Hinds series lighting solutions are designed to perform reliably in the most extreme conditions while helping reduce energy, maintenance and manpower costs.

Why LED?

Useful life

Rated life is up to 50,000 hours of maintenance-free and safe operation

Energy efficiency

LED average energy consumption is significantly less than traditional fluorescent and HID fixtures

Start/restart time

Instant illumination versus 10 minute restrike time for HID

Light quality

Higher color rendering compared to fluorescent and HID

Environmental benefits

Mercury-free LED eliminates disposal costs and lower energy consumption for a smaller carbon footprint

Why Eaton?

Rugged design

Built to withstand extreme temperatures, vibration, water and dust

High efficacy

Up to 130 lumens per watt

Thermal management

Effective heat sinking ensures longer life

Quality of light

Custom optics designed to maximize light distribution and intensity

Versatile mounting

LED fixtures are compatible with Crouse-Hinds series HID installed base

PFME LED Luminaires

Eaton's Crouse-Hinds series PFME LED fixtures are the perfect replacement for HID fixtures in indoor/outdoor light industrial areas.

Model	Typical lumens*	Wattage	Lumens per watt	Equivalent HID luminaire
PFME15L	15,400	120.2	128.1	500W
PFME20L	20,000	180.0		650W
PFME30L	30,700	242.2	126.8	750-1000W
PFME45L	45,000	360.0		1200W
PFME60L	62,000	484.5	128.0	1500W+
PFME75L	79,000	603.5	130.9	1500W+

* Tolerance +/- 10%. Typical lumens is measured with 120° beam angle.

Features:

- Instant illumination and restrike
- Serviceable drivers
- Better visibility with crisp, white light
- Cold temperature operation with no warm-up required
- Energy-efficient - up to 130 lumens per Watt
- Contains no mercury or other hazardous substances
- Shock resistant and vibration resistant solid-state luminaires
- No filaments or glass components
- Operating ambient: -30°C to +45°C
- Full cut-off with no wasted light above the fixture

Applications:

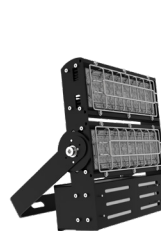
- Non-hazardous locations with mounting heights up to 60 feet
- Light industrial, platforms, loading docks, tunnels, indoor/outdoor spotlighting, outdoor general area lighting and areas requiring frequent on-and-off of lights
- Locations requiring continuous and consistent light levels in extreme ambient temperatures
- Where wet, dusty, hot and/or cold conditions exist

Materials:

- Housing and heat sink: extruded aluminum 6063
- Lens and optic assemblies: polycarbonate

Certifications:

- Wet location, IP65
- UL standard: UL1598
- CSA Standard: CSA C22.2 No. 250



PFME15L



PFME20L



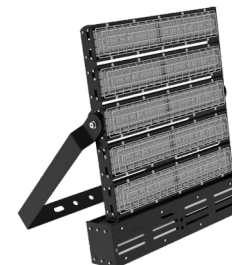
PFME30L



PFME60L



PFME45L



PFME75L

Electrical ratings

Voltage range at 50/60 Hz

UNV1 120-277 VAC; 127-400 VDC

UNV1	15L	20L	30L	60L	45L	75L
Input power (watts)	120.2	180.0	242.2	484.5	360.0	603.5
Input amps 120-277 VAC	0.45-1.06	0.68-1.58	0.91-2.10	1.82-4.21	1.36-3.15	2.28-5.27
THD	<15%	<15%	<15%	<15%	<15%	<15%
Power Factor	>0.90	>.95	>0.95	>0.95	>0.95	>0.95

Voltage range at 50/60 Hz

UNV34 277-480 VAC

UNV34	15L	20L	30L	45L	60L	75L
Input power (watts)	120.2	180.0	242.2	360.0	484.5	603.5
Input amps 277-480 VAC	0.27-0.49	0.41-0.73	0.55-0.97	1.36-3.15	1.11-1.93	1.38-2.41
THD	<20%	<20%	<20%	<20%	<20%	<20%
Power Factor	>0.90	>0.90	>0.90	>0.90	>0.90	>0.90

Ordering information

PFME 30L C Y - UNV1 - 66

Lamp/function

15L	15,400 lumen LED
20L*	20,000 lumen LED
30L	30,700 lumen LED
45L*	45,000 lumen LED
60L	62,000 lumen LED
75L	79,000 lumen LED

Color temperature

C	Cool, 5000K, 80 CRI
W*	Warm, 3000K, 80 CRI
N*	Neutral, 4000K, 80 CRI

*Non-stock item, consult factory for lead time.

Mounting

Y	Yoke mount
----------	------------

Voltage

UNV1	120-277 VAC; 127-400 VDC
UNV34	347-480 VAC

Optics

66	Standard 120° angle
22	Narrow 25° angle

*Non-stock item, consult factory for lead time.

Replacement driver kits (sold separately)

PFME-15L-UNV1-DRIVER-KIT	UNV1 driver for 15L
PFME-15L-UNV34-DRIVER-KIT	UNV34 driver for 15L
PFME-20L-UNV1-DRIVER-KIT*	UNV1 driver for 20L
PFME-20L-UNV34-DRIVER-KIT*	UNV34 driver for 20L
PFME-30L-UNV1-DRIVER-KIT	UNV1 driver for 30L
PFME-30L-UNV34-DRIVER-KIT	UNV34 driver for 30L
PFME-45L-UNV1-DRIVER-KIT*	UNV1 driver for 45L
PFME-45L-UNV34-DRIVER-KIT*	UNV34 driver for 45L
PFME-60L-UNV1-DRIVER-KIT	UNV1 driver for 60L
PFME-60L-UNV34-DRIVER-KIT	UNV34 driver for 60L
PFME-75L-UNV1-DRIVER-KIT	UNV1 driver for 75L
PFME-75L-UNV34-DRIVER-KIT	UNV34 driver for 75L

*Non-stock item, consult factory for lead time.

Guards & visors (sold separately)

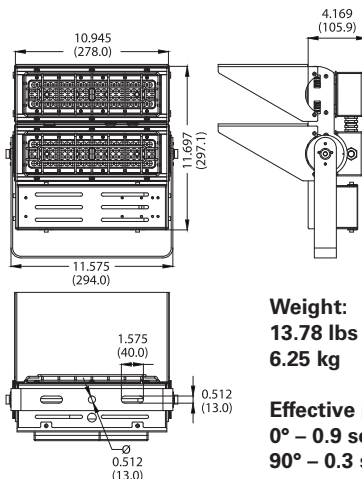
Model	Guard part #	Qty.	Visor part #	Qty.
15L	PFME-WIREGUARD-1	2	PFME-VISOR-1	2
20L		3		3
30L	PFME-WIREGUARD-2	2	PFME-VISOR-2	2
45L		3		3
60L		4		4
75L	5	5		

Mounting & photo cell (sold separately)

PFME-POLE-MNT	Pole mount kit for 15L to 75L models
PFME-PHOTOCELL	Photo cell for 15L-75L models

Weights & dimensions

PFME15L



Weight:
13.78 lbs
6.25 kg

Effective projected area:
0° – 0.9 sq. ft
90° – 0.3 sq. ft

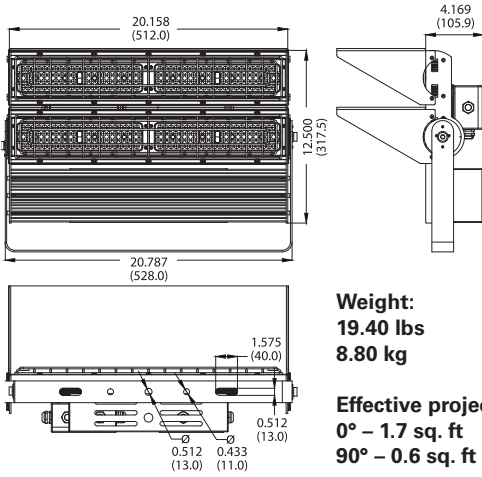
All dimensions: inches (mm)

PFME60L & PFME75L dimensions next page



Weights & dimensions

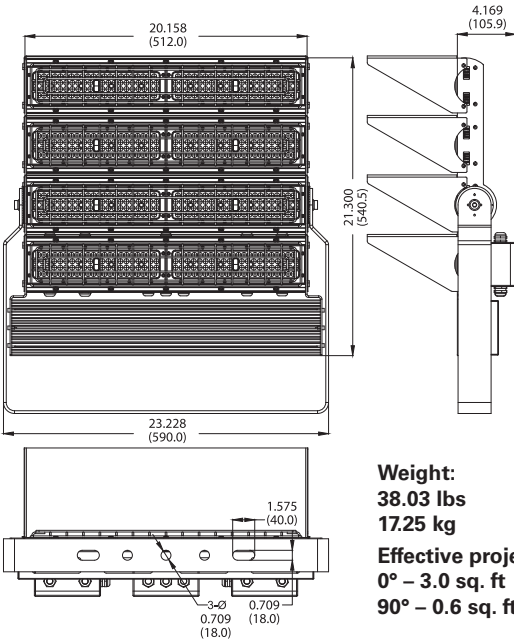
PFME30L



Weight:
19.40 lbs
8.80 kg

Effective projected area:
0° – 1.7 sq. ft
90° – 0.6 sq. ft

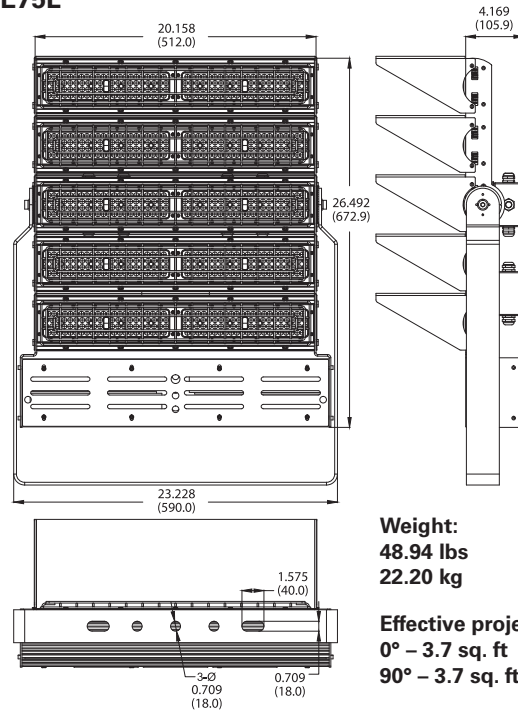
PFME60L



Weight:
38.03 lbs
17.25 kg

Effective projected area:
0° – 3.0 sq. ft
90° – 0.6 sq. ft

PFME75L



Weight:
48.94 lbs
22.20 kg

Effective projected area:
0° – 3.7 sq. ft
90° – 3.7 sq. ft

For more information:

If further assistance is required, please contact an authorized Eaton Distributor, Sales Office, or Customer Service Department.

U.S. (global headquarters): Eaton's Crouse-Hinds Division

1201 Wolf Street
 Syracuse, NY 13208

(866) 764-5454
 FAX: (315) 477-5179
 FAX Orders Only:
 (866) 653-0640

crousecustomerctr@eaton.com

Canada

Toll Free: 800-265-0502
 FAX: (800) 263-9504
 FAX Orders only: (866) 653-0645

Mexico/Latin America/Caribbean

52-555-804-4000
 FAX: 52-555-804-4020
ventascentromex@eaton.com

Eaton
 1000 Eaton Boulevard
 Cleveland, OH 44122
 United States
 Eaton.com

© 2023 Eaton
 All Rights Reserved
 Printed in USA
 Publication No. 5487-0823
 August 2023

Eaton is a registered trademark.

All other trademarks are property of their respective owners.