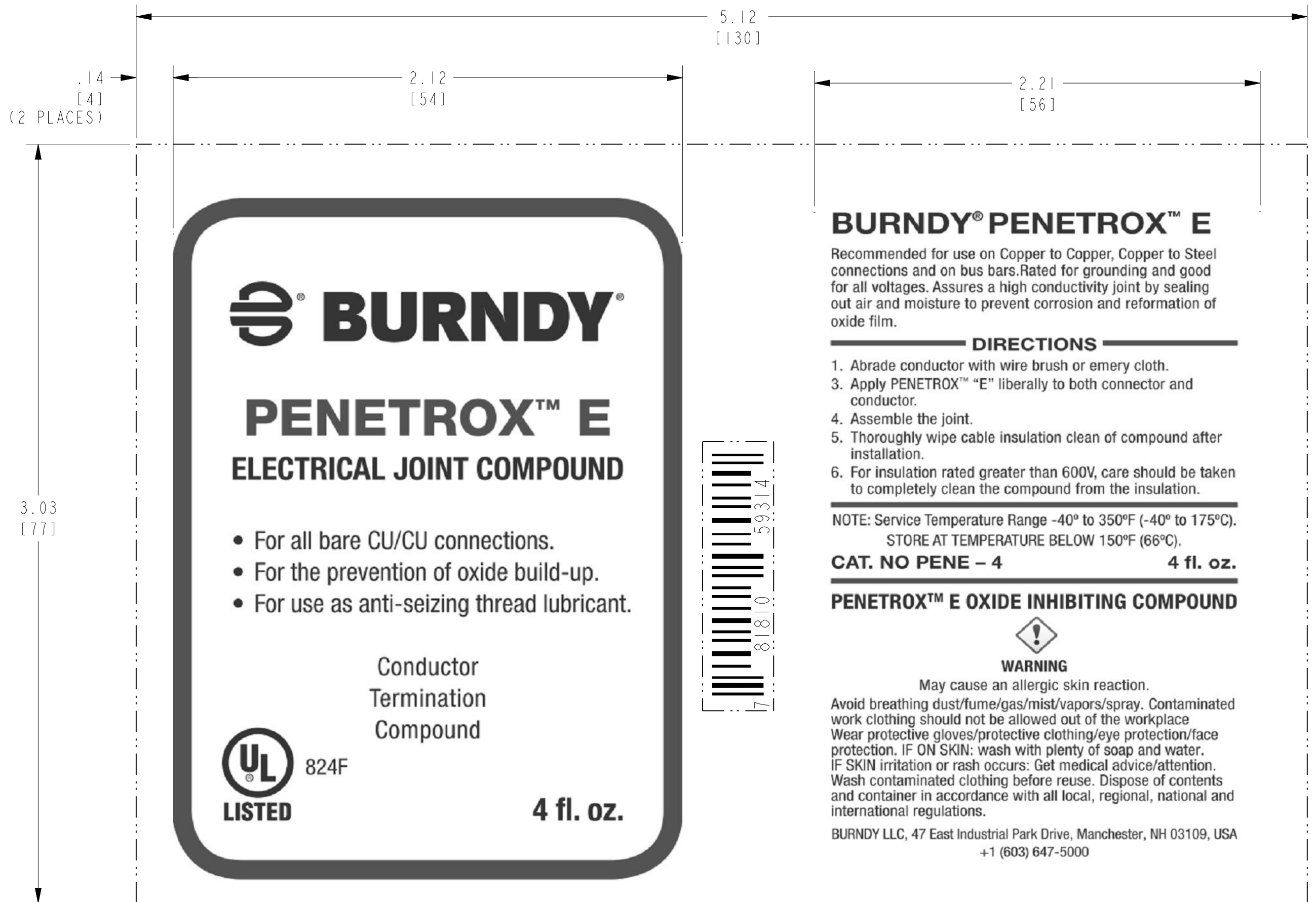
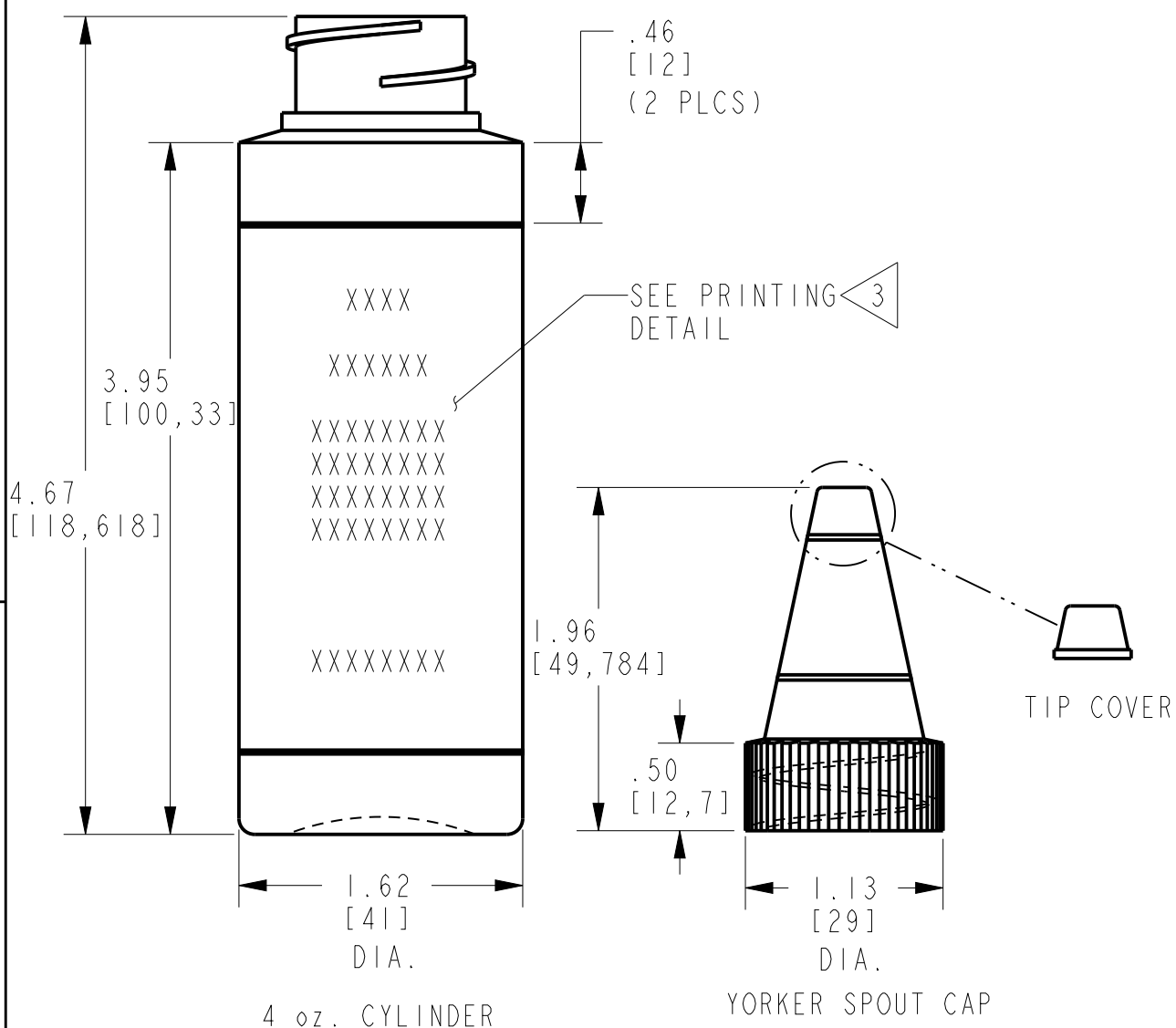


REV	DATE	DESCRIPTION	ECO	BY	C'H'K.
G	10/20/2017 00:00:00 AM	UPDATE PRINTING DETAIL PER MARKUP	47843	TS	RG



ENLARGED VIEW OF PRINTING DETAIL

NOTES:

1. MATERIAL: POLYETHYLENE
COLOR: BOTTLE: OPAQUE WHITE
CAP: CLEAR
2. ALL DIMENSIONS ARE REFERENCE.
3. PRINTING TO APPEAR CIRCUMFERENTIALLY ON BOTTLE.
4. CONTENTS: 4 oz. OF PENETROX™ E.
5. DIMENSIONS IN BRACKETS [] ARE IN MILLIMETERS ROUNDED OFF TO THE NEAREST MILLIMETER, UNLESS OTHERWISE NOTED, AND ARE FOR REFERENCE ONLY.

TO ORDER BURNDY® PRODUCTS CALL
UNITED STATES:
1-800-346-4175 (LONDONDERRY, NH)
CANADA:
1-800-361-6975 (QUEBEC)
1-800-387-6487 (ALL OTHER PROVINCES)
FOR PRODUCT INFO: <http://www.burndy.com>

PENETROX™ E 4 oz. BOTTLE	
ITEM NO:	547045
CAT. NO:	PENE - 4
DRAWN BY:	C. RACCANO 08/10/83
CHECKER:	A. J. M. 08/12/83
DSN APPVL:	C. M. 08/18/83
MFG APPVL:	--
QA APPVL:	--
MKT APPVL:	--
PROD FAM:	--
PROJECT #:	--
DOCUMENT TYPE:	Sales
REL LEVEL:	Released
SCALE:	1:1
DRAWING NO	SC087708-01
REV	G
SHEET 1 OF 1	

