



Powering Business Worldwide

Power Defense™

Circuit Breaker Accessory

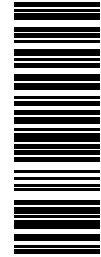
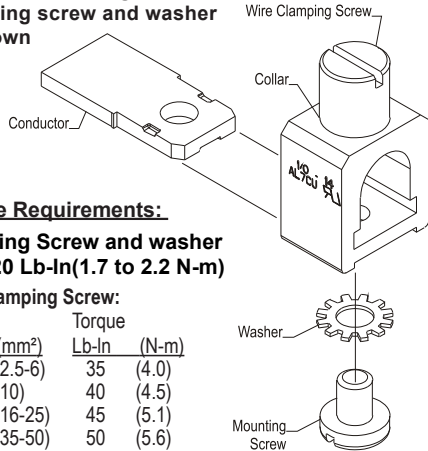
For PDG1 Frame

IL012166EN H03

PDG1 Tunnel Terminal (Aluminum) 125 amps, AWG 14-1/0, 3 poles  
Cat. no. PDG1X3TA125  
Style no. 66A3613G21  
Quantity - 3

Instructions for assembling collar to circuit breaker

Assemble collar around conductor securing with mounting screw and washer as shown



786689164959

**Torque Requirements:**

**Mounting Screw and washer**  
15 to 20 Lb-In(1.7 to 2.2 N-m)

**Wire Clamping Screw:**

Wire	Torque	
AWG (mm <sup>2</sup> )	Lb-In	(N-m)
14-10 (2.5-6)	35	(4.0)
8 (10)	40	(4.5)
6-4 (16-25)	45	(5.1)
3-1/0 (35-50)	50	(5.6)



Powering Business Worldwide

Power Defense™

Circuit Breaker Accessory

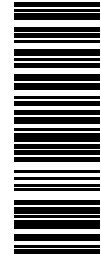
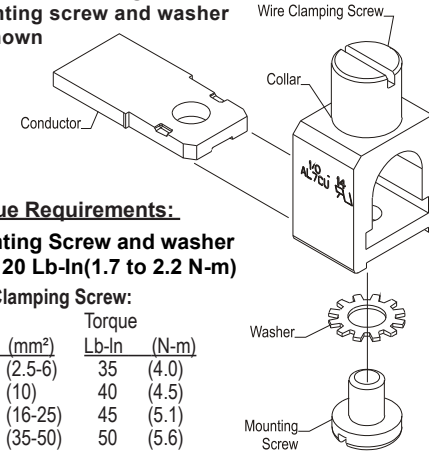
For PDG1 Frame

IL012166EN H03

PDG1 Tunnel Terminal (Aluminum) 125 amps, AWG 14-1/0, 3 poles  
Cat. no. PDG1X3TA125  
Style no. 66A3613G21  
Quantity - 3

Instructions for assembling collar to circuit breaker

Assemble collar around conductor securing with mounting screw and washer as shown



786689164959

**Torque Requirements:**

**Mounting Screw and washer**  
15 to 20 Lb-In(1.7 to 2.2 N-m)

**Wire Clamping Screw:**

Wire	Torque	
AWG (mm <sup>2</sup> )	Lb-In	(N-m)
14-10 (2.5-6)	35	(4.0)
8 (10)	40	(4.5)
6-4 (16-25)	45	(5.1)
3-1/0 (35-50)	50	(5.6)



Powering Business Worldwide

Power Defense™

Circuit Breaker Accessory

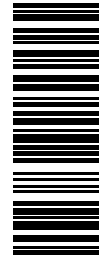
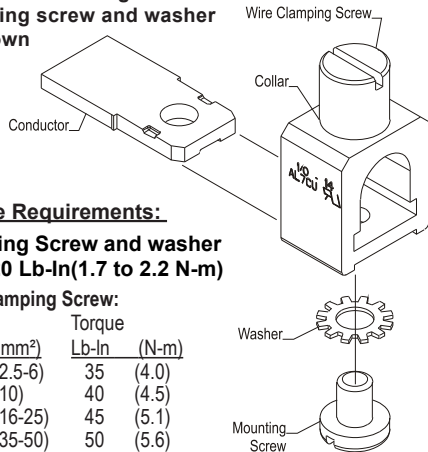
For PDG1 Frame

IL012166EN H03

PDG1 Tunnel Terminal (Aluminum) 125 amps, AWG 14-1/0, 3 poles  
Cat. no. PDG1X3TA125  
Style no. 66A3613G21  
Quantity - 3

Instructions for assembling collar to circuit breaker

Assemble collar around conductor securing with mounting screw and washer as shown



786689164959

**Torque Requirements:**

**Mounting Screw and washer**  
15 to 20 Lb-In(1.7 to 2.2 N-m)

**Wire Clamping Screw:**

Wire	Torque	
AWG (mm <sup>2</sup> )	Lb-In	(N-m)
14-10 (2.5-6)	35	(4.0)
8 (10)	40	(4.5)
6-4 (16-25)	45	(5.1)
3-1/0 (35-50)	50	(5.6)



Powering Business Worldwide

Power Defense™

Circuit Breaker Accessory

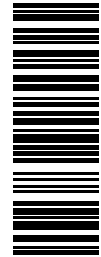
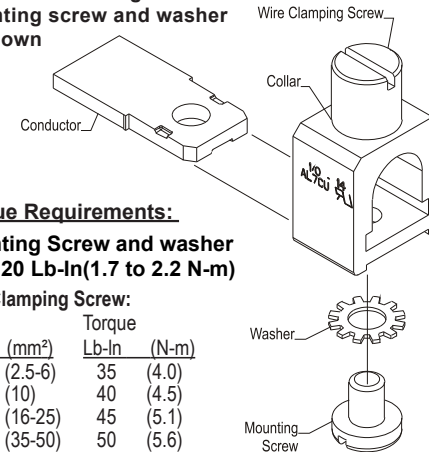
For PDG1 Frame

IL012166EN H03

PDG1 Tunnel Terminal (Aluminum) 125 amps, AWG 14-1/0, 3 poles  
Cat. no. PDG1X3TA125  
Style no. 66A3613G21  
Quantity - 3

Instructions for assembling collar to circuit breaker

Assemble collar around conductor securing with mounting screw and washer as shown



786689164959

**Torque Requirements:**

**Mounting Screw and washer**  
15 to 20 Lb-In(1.7 to 2.2 N-m)

**Wire Clamping Screw:**

Wire	Torque	
AWG (mm <sup>2</sup> )	Lb-In	(N-m)
14-10 (2.5-6)	35	(4.0)
8 (10)	40	(4.5)
6-4 (16-25)	45	(5.1)
3-1/0 (35-50)	50	(5.6)