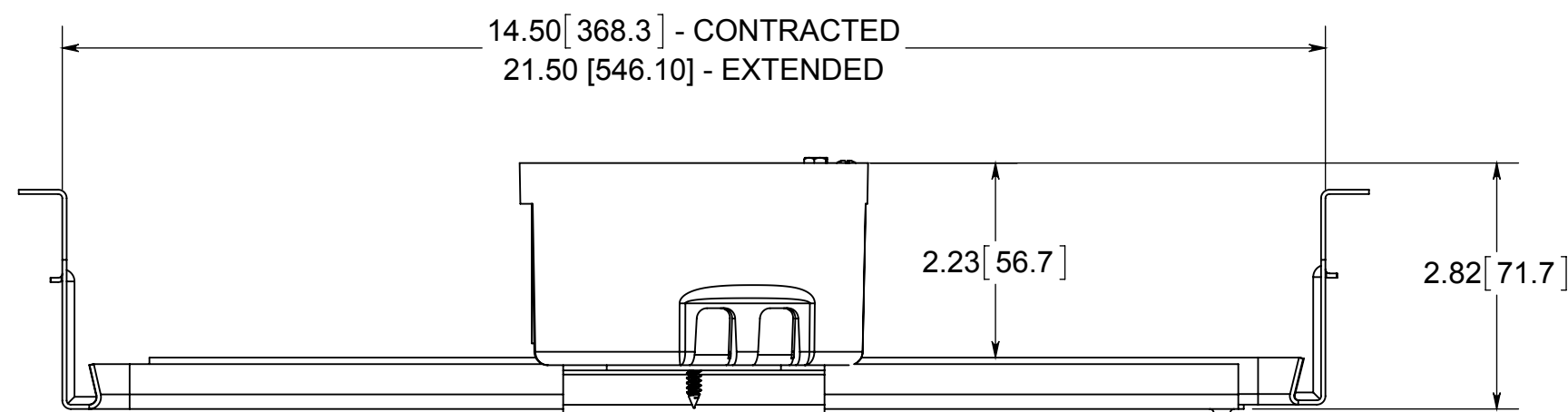
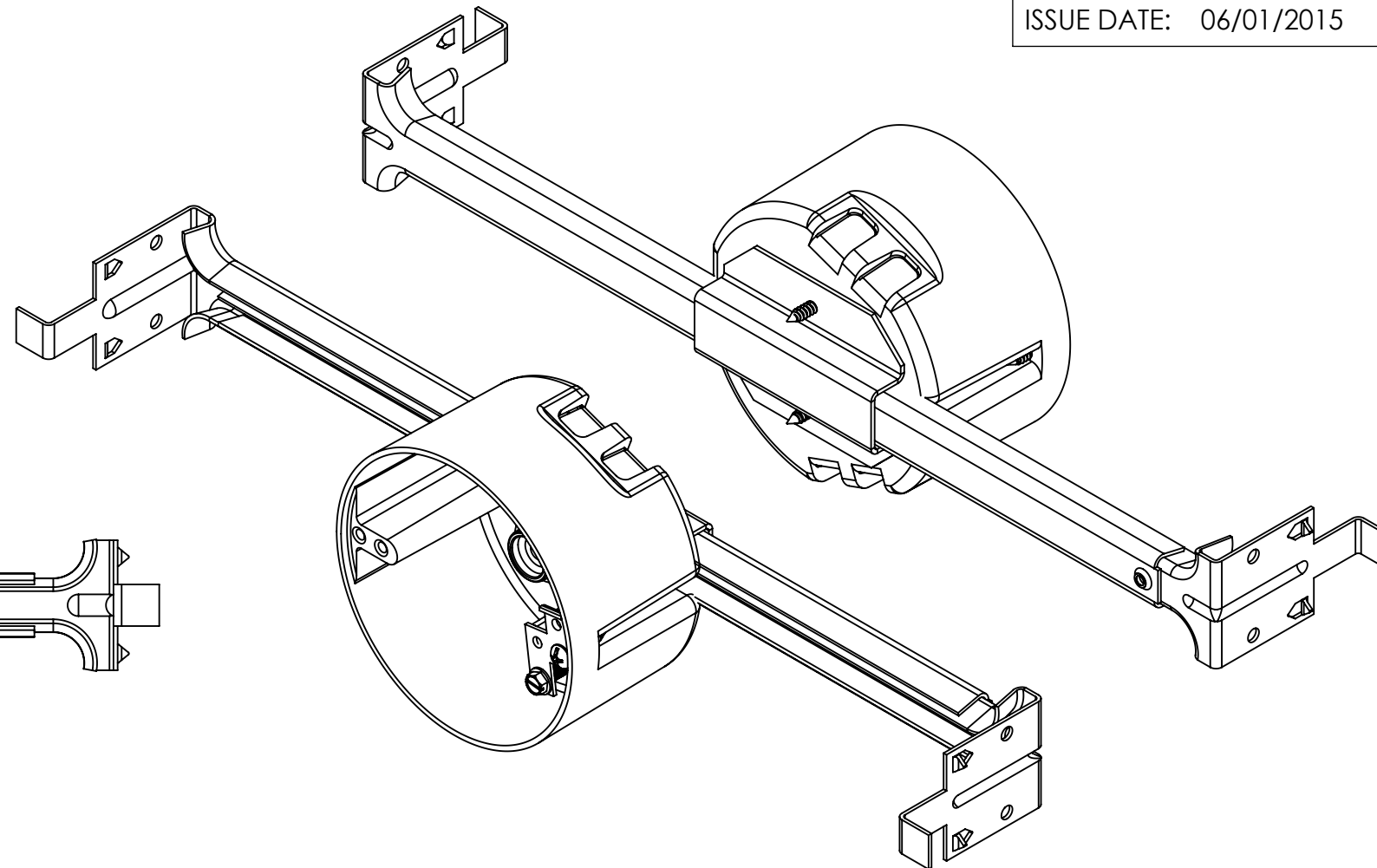
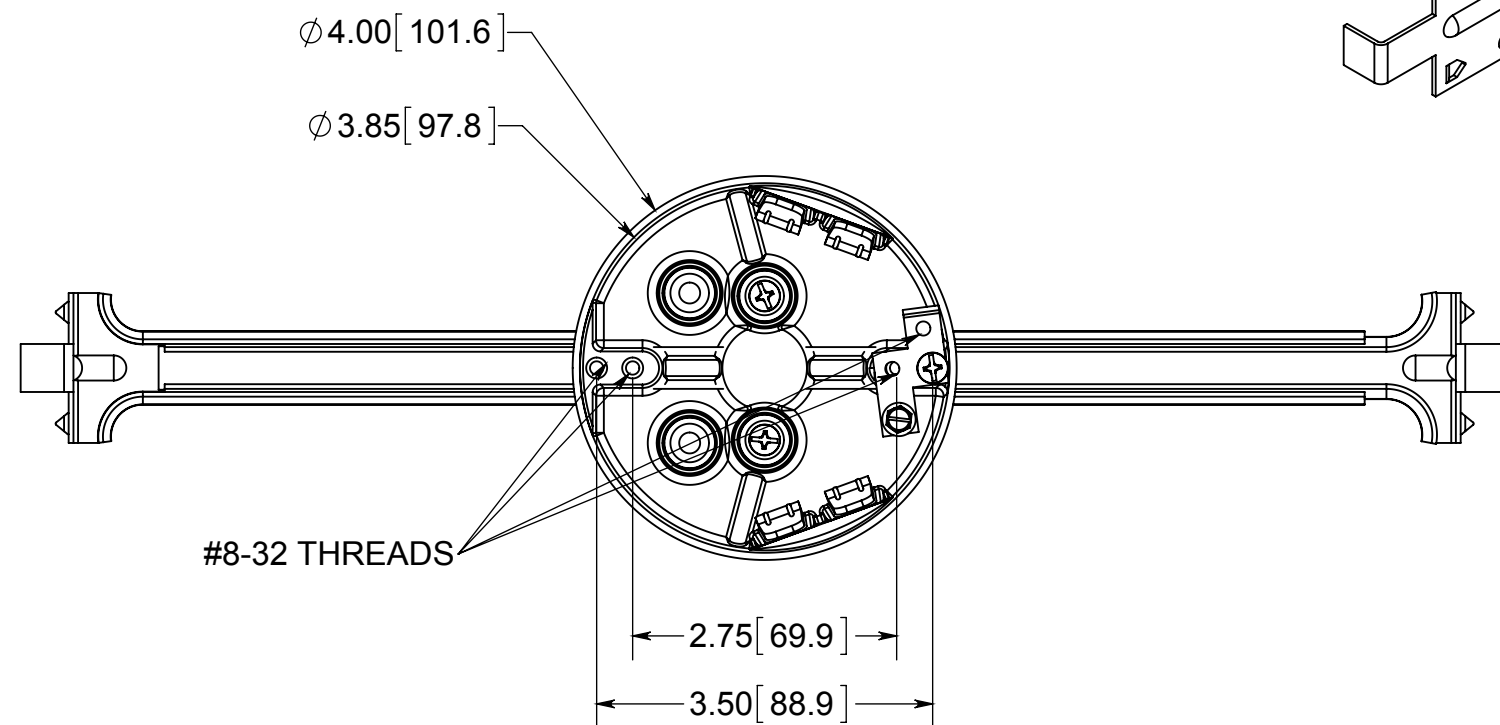


flexBOX®

ISSUE DATE: 06/01/2015



NOTES:

- 1.) BOX MATERIAL: POLYCARBONATE, BAR MATERIAL: GALVANIZED STEEL, BAR MOUNTING BRACKET MATERIAL: GALVANIZED STEEL, MOUNTING BRACKET SCREW MATERIAL: ZINC PLATED STEEL, GROUND STRAP MATERIAL: GALVANIZED STEEL, GROUND SCREW MATERIAL: GREEN ZINC PLATED STEEL, GROUND STRAP MOUNTING SCREW MATERIAL: ZINC PLATED STEEL
- 2.) UL LISTED WITH 2 HOUR FIRE RATING FOR WALL AND CEILING



ALLIED MOULDED PRODUCTS
BRYAN, OHIO

The Original Fiber Glass Outlet Box

PRODUCT SERIES

4" ROUND 23.0 CU. IN.

Part No.

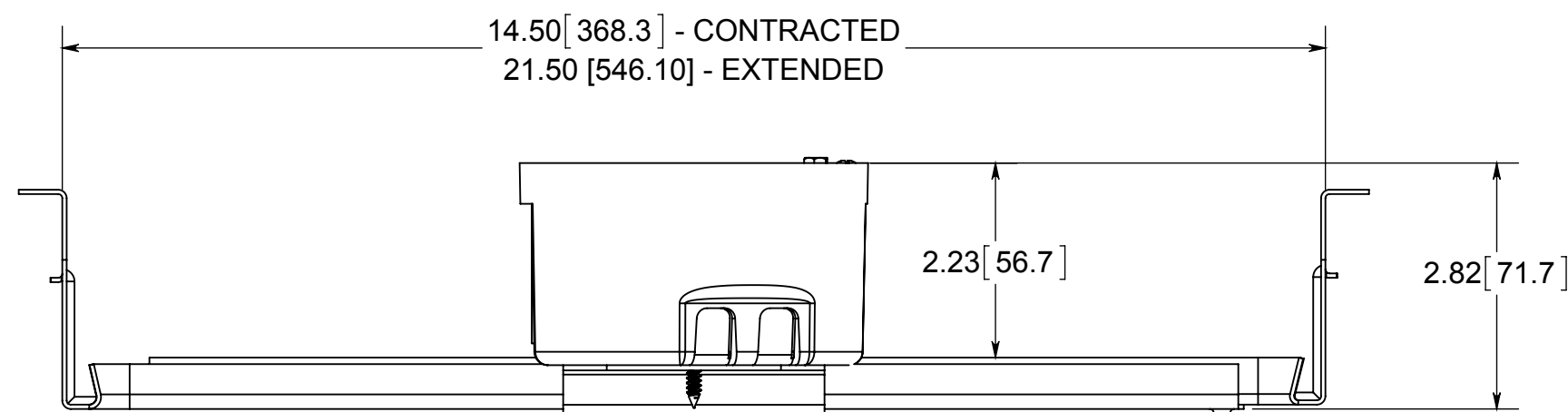
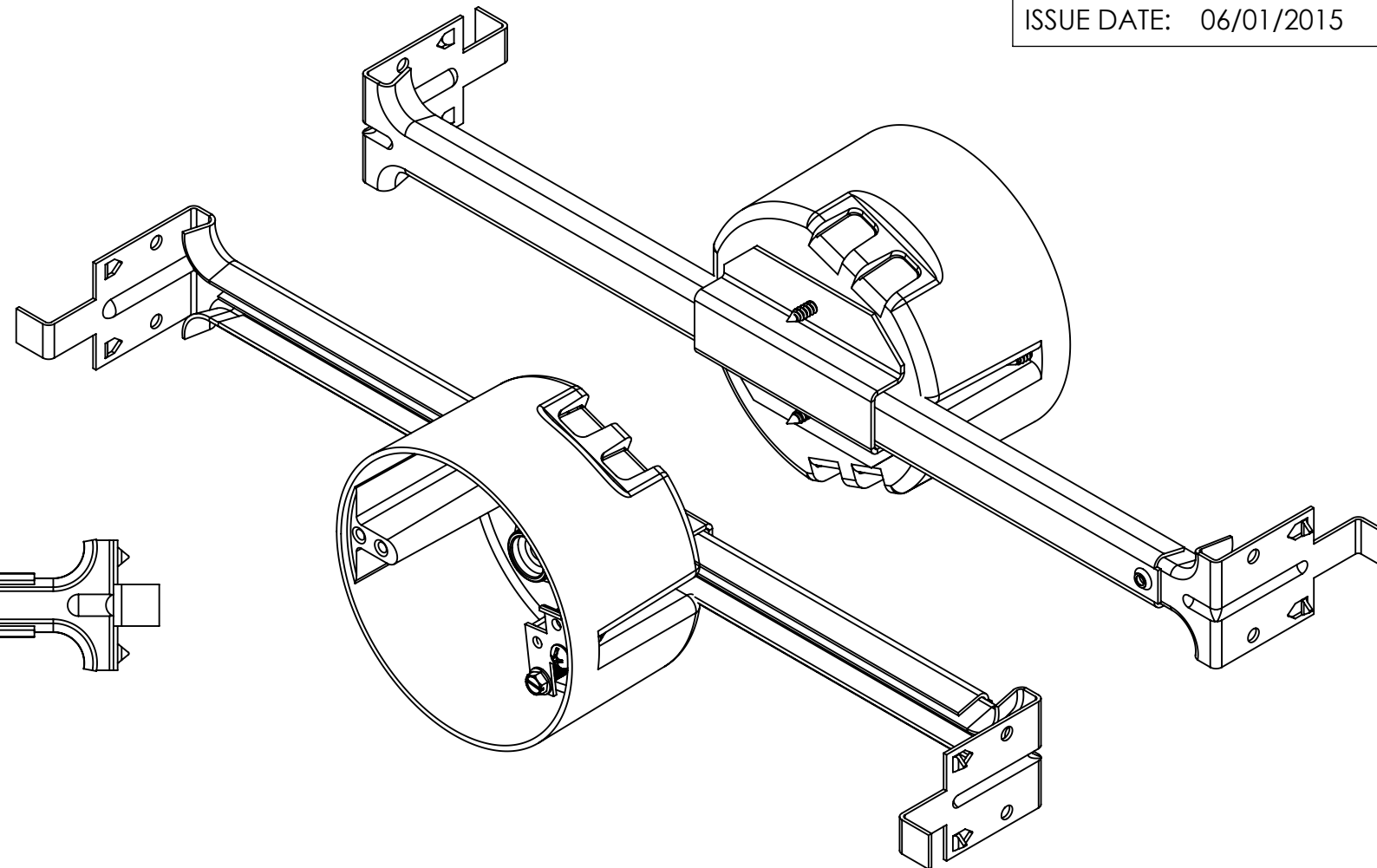
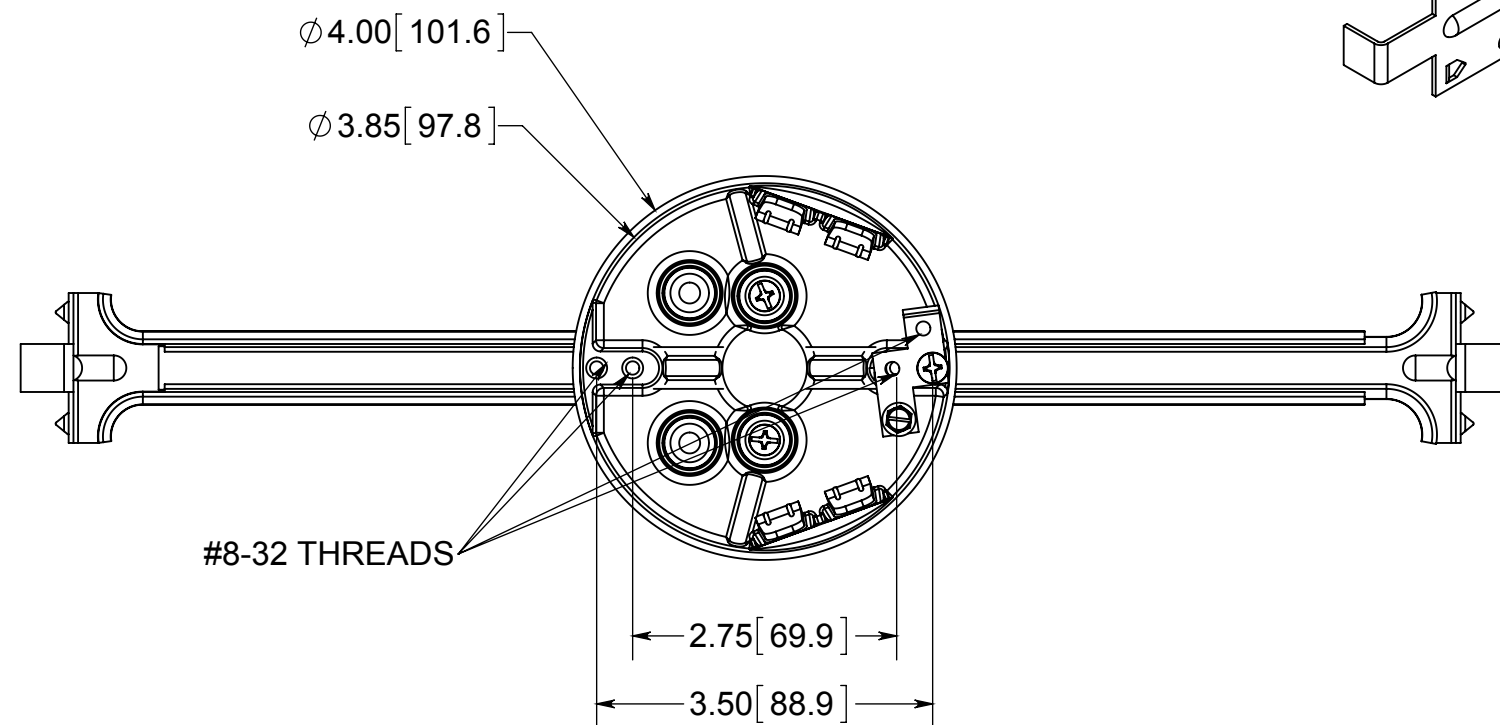
PC234-BHG

CONFIDENTIAL

THIS MATERIAL IS OWNED BY THE ALLIED MOULDED PRODUCTS COMPANY, IS DISCLOSED IN CONFIDENCE, AND IS NOT TO BE REPRODUCED OR DISTRIBUTED WITHOUT PRIOR WRITTEN PERMISSION FROM ALLIED MOULDED PRODUCTS.

flexBOX®

ISSUE DATE: 06/01/2015



NOTES:

- 1.) BOX MATERIAL: POLYCARBONATE, BAR MATERIAL: GALVANIZED STEEL, BAR MOUNTING BRACKET MATERIAL: GALVANIZED STEEL, MOUNTING BRACKET SCREW MATERIAL: ZINC PLATED STEEL, GROUND STRAP MATERIAL: GALVANIZED STEEL, GROUND SCREW MATERIAL: GREEN ZINC PLATED STEEL, GROUND STRAP MOUNTING SCREW MATERIAL: ZINC PLATED STEEL
- 2.) UL LISTED WITH 2 HOUR FIRE RATING FOR WALL AND CEILING



ALLIED MOULDED PRODUCTS
BRYAN, OHIO

The Original Fiber Glass Outlet Box

PRODUCT SERIES

4" ROUND 23.0 CU. IN.

Part No.

PC234-BHG

CONFIDENTIAL

THIS MATERIAL IS OWNED BY THE ALLIED MOULDED PRODUCTS COMPANY, IS DISCLOSED IN CONFIDENCE, AND IS NOT TO BE REPRODUCED OR DISTRIBUTED WITHOUT PRIOR WRITTEN PERMISSION FROM ALLIED MOULDED PRODUCTS.