

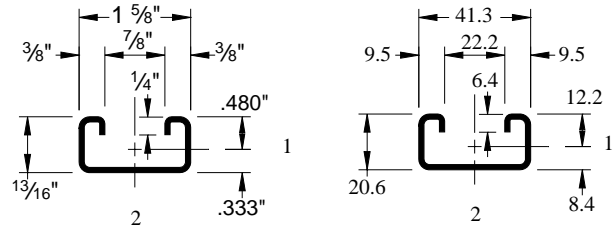
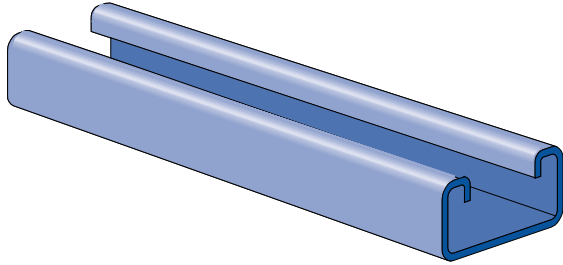
# P4100™ & P4101 CHANNELS

FOR 1 5/8" (41 MM) WIDTH SERIES CHANNEL



1 5/8" Channels

## P4100



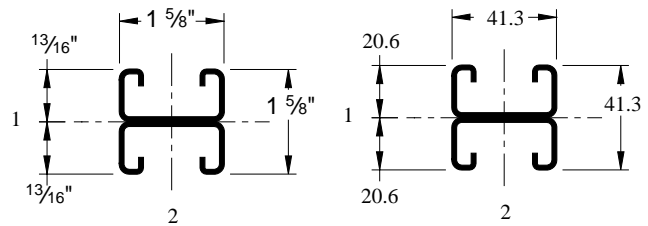
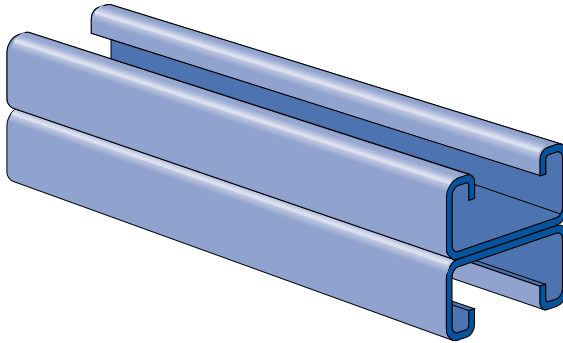
Pierced channels are found on pages 60 and 61.

Weight: 97 Lbs/C Ft (144 kg/100 m)

Nuts & Hardware

General Fittings

## P4101



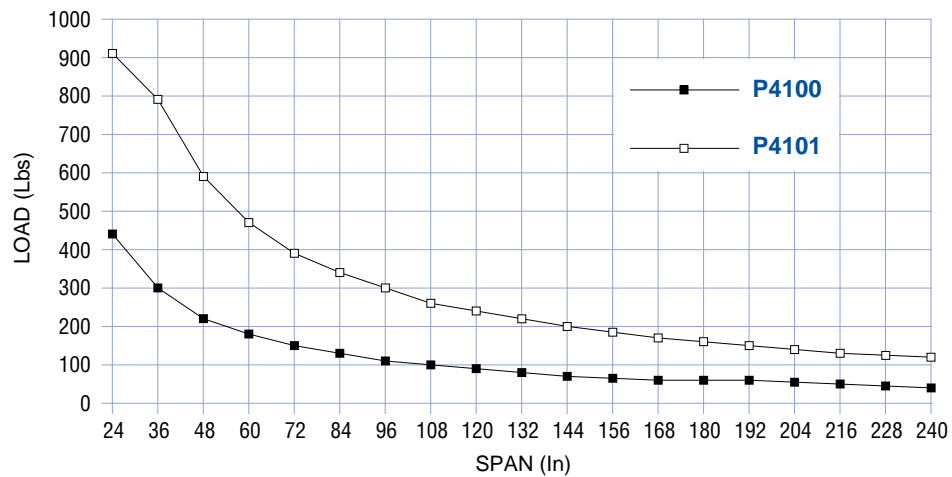
Weight: 194 Lbs/C Ft (289 kg/100 m)

Pipe/Conduit Supports

Electrical Fittings

Concrete Inserts

## BEAM LOAD\*



\*Maximum allowable uniform load.

Channel	Weight		Allowable Moment		Material Thickness		Standard Lengths		Finishes				Other Materials	
	Lbs/Ft	kg/m	In-Lb	N*m	In	mm	10'	20'	PL	GR	HG	PG	SS	EA
<b>P4100</b>	.97	1.4	1,330	150	.075	1.9	■	■	■	■	■	■		
<b>P4101</b>	1.94	2.9	3,550	400	.075	1.9	■	■	■	■	■	■		

Nominal thickness of 14 gage strip steel is .075 inches.

Index

Spec. Metals & Fiberglass

13/16" Framing System

1 1/4" Framing System

# CHANNELS & COMBINATIONS

FOR 1<sup>5</sup>/<sub>8</sub>" (41 MM) WIDTH SERIES CHANNEL



1<sup>5</sup>/<sub>8</sub>"  
Channels

Nuts &  
Hardware

General  
Fittings

Pipe/Conduit  
Supports

Electrical  
Fittings

Concrete  
Inserts

1<sup>1</sup>/<sub>4</sub>" Framing  
System

1<sup>3</sup>/<sub>16</sub>" Framing  
System

Spec. Metals  
& Fiberglass

Index

Page

<b>P1000</b> 12 Gage	23
<b>P1100</b> 14 Gage	32
<b>P2000</b> 16 Gage	36
<b>P3000</b> 12 Gage	40
<b>P3300</b> 12 Gage	43
<b>P4000</b> 16 Gage	46
<b>P4100</b> 14 Gage	50
<b>P5000</b> 12 Gage	53
<b>P5500</b> 12 Gage	56
<b>Closure Strips</b>	59
<b>Pierced Sections</b>	60
<b>P9000 Series</b> 12 Gage	62



## MATERIAL

Unistrut channels are accurately and carefully cold formed to size from low-carbon strip steel.

Spot-welded combination members are welded 3" (maximum) on center.

### STEEL: PLAIN

12 Ga. (2.7 mm), 14 Ga.(1.9 mm)  
ASTM A570 GR 33  
16 Ga. (1.5 mm) ASTM A366

### STEEL: PRE-GALVANIZED

12 Ga. (2.7 mm), 14 Ga. (1.9 mm)  
and 16 Ga. (1.5mm) ASTM A653  
GR 33

For other materials, see Special Metals and Fiberglass section.

## FINISHES

All channels are available in: Perma Green II (GR), pre-galvanized (PG), conforming to ASTM A653; Hot-dipped galvanized (HG), conforming to ASTM A123 or A153; and plain (PL).

## STANDARD LENGTHS

Standard lengths are 10 feet (3.05m) and 20 feet (6.10m). Tolerances are +<sup>1</sup>/<sub>8</sub>" (3.2 mm) to +<sup>1</sup>/<sub>2</sub>" (12.7 mm) to allow for cutting. Special lengths are available for a small cutting charge with a tolerance of ±<sup>1</sup>/<sub>8</sub>" (3.2mm).

## CURVED CHANNEL

Many Unistrut 1<sup>5</sup>/<sub>8</sub>" (41mm) channel sections are available as curved pieces in both single and combination styles. Contact your local Unistrut Service Center or Unistrut Corporation for ordering information.

## DIMENSIONS

Imperial dimensions are illustrated in inches. Metric dimensions are shown in millimeters and rounded to one decimal place.

## LOAD DATA

All beam and column load data pertains to carbon steel and stainless steel channels. Load tables and charts are constructed to be in accordance with the SPECIFICATION FOR THE DESIGN OF COLD-FORMED STEEL STRUCTURAL MEMBERS AUGUST 19, 1986 EDITION with DECEMBER 11, 1989 ADDENDUM published by the AMERICAN IRON AND STEEL INSTITUTE.

# CHANNELS & COMBINATIONS

FOR 1 5/8" (41 MM) WIDTH SERIES CHANNEL



1 5/8" Channels

Nuts & Hardware

General Fittings

Pipe/Conduit Supports

Electrical Fittings

Concrete Inserts

1/4" Framing System

3/16" Framing System

Spec. Metals & Fiberglass

Index

## CHANNEL SELECTION CHART

Channel	Channel Dimensions				Material & Thickness			Hole Pattern Styles					
	Width		Height		Steel	Stain-less Steel	Alum.	KO	T	SL	HS	DS	H3
	In	mm	In	mm									
<b>P1000</b>	1 5/8	41	1 5/8	41	12 ga	12 ga	.109						
<b>P1100</b>	1 5/8	41	1 5/8	41	14 ga	14 ga	—						
<b>P2000</b>	1 5/8	41	1 5/8	41	16 ga	—	—						
<b>P3000</b>	1 5/8	41	1 3/8	35	12 ga	—	—						
<b>P3300</b>	1 5/8	41	7/8	22	12 ga	12 ga	—						
<b>P4000</b>	1 5/8	41	13/16	21	16 ga	16 ga	.078						
<b>P4100</b>	1 5/8	41	13/16	21	14 ga	—	—						
<b>P5000</b>	1 5/8	41	3/4	83	12 ga	—	—						
<b>P5500</b>	1 5/8	41	27/16	62	12 ga	—	.109						

- This reference chart reflects the available channels and hole patterns manufactured by Unistrut Corporation.
- Stainless steel sections are also available on special order in "T," "SL" and "HS" hole pattern.
- Metric equivalent for material thickness: 12 ga. (2.7 mm); 14 ga. (1.9 mm); and 16 ga. (1.5 mm).

\* Not available in aluminum.

## CHANNELS & COMBINATIONS IN DESCENDING ORDER OF STRENGTH

Channel	S in <sup>3</sup>	I in <sup>4</sup>	Area in <sup>2</sup>	Weight Lbs/Ft
<b>P5001</b>	1.716*	5.578*	1.794	6.10
<b>P1004 A</b>	1.673	4.079	1.978	6.70
<b>P5501</b>	1.153	2.811	1.453	4.94
<b>P1001 C41</b>	1.145	1.860	2.223	7.60
<b>P5000</b>	.628	1.099	.897	3.05
<b>P1001</b>	.572	.930	1.112	3.80
<b>P1101</b>	.456	.741	.834	2.84
<b>P3001</b>	.431	.593	1.007	3.40
<b>P5500</b>	.391	.523	.726	2.47
<b>P2001</b>	.379	.616	.681	2.32
<b>P9200</b>	.297	.278	.489	2.23

Channel	S in <sup>3</sup>	I in <sup>4</sup>	Area in <sup>2</sup>	Weight Lbs/Ft
<b>P9000</b>	.203	.164	.384	2.05
<b>P3301</b>	.202	.177	.797	2.70
<b>P1000</b>	.202	.185	.556	1.90
<b>P1100</b>	.166	.149	.417	1.42
<b>P3000</b>	.154	.121	.503	1.70
<b>P4101</b>	.141	.114	.574	1.94
<b>P2000</b>	.140	.124	.340	1.16
<b>P4001</b>	.125	.101	.478	1.64
<b>P3300</b>	.072	.037	.398	1.35
<b>P4100</b>	.053	.025	.287	.97
<b>P4000</b>	.048	.023	.239	.82

\* Effective section properties.

# PIERCED CHANNELS

FOR 1 5/8" (41 MM) WIDTH SERIES CHANNEL



1 5/8" Channels

Nuts & Hardware

General Fittings

Pipe/Conduit Supports

Electrical Fittings

Concrete Inserts

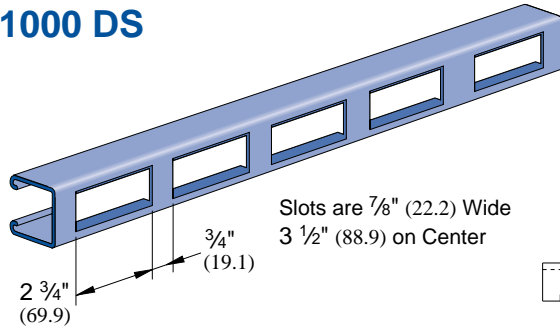
1 1/4" Framing System

1 3/16" Framing System

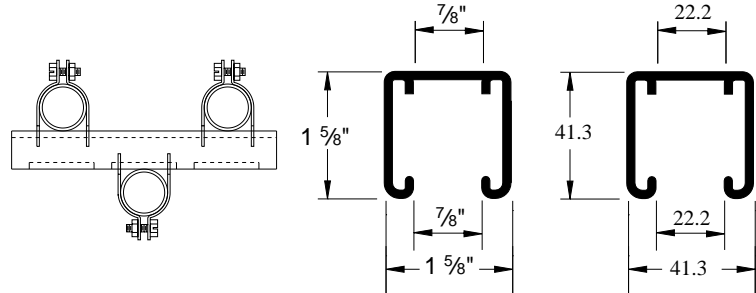
Spec. Metals & Fiberglass

Index

## P1000 DS



Slots are 7/8" (22.2) Wide  
3 1/2" (88.9) on Center

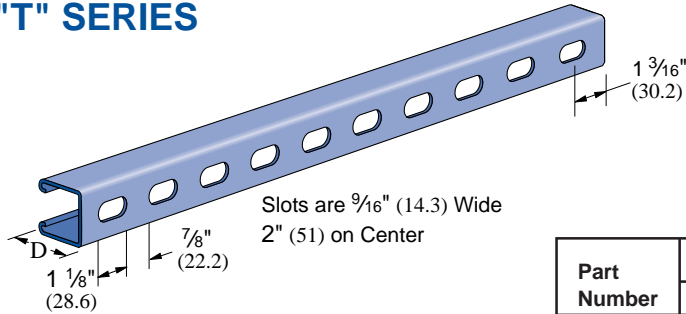


Standard Lengths: 10' and 20'.

Note: For beam load capacity, use 70% of P1000 load chart.

Weight: 173 Lbs/C Ft (257 kg/100m)

## "T" SERIES



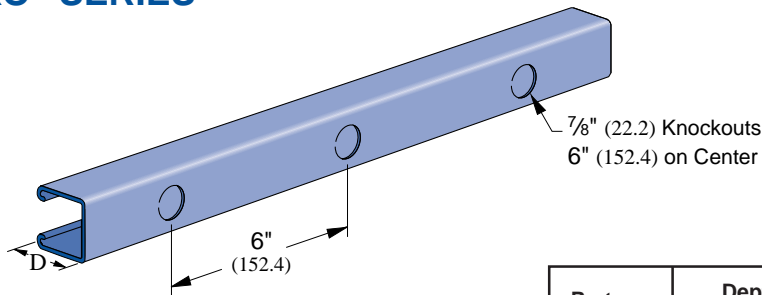
Slots are 9/16" (14.3) Wide  
2" (51) on Center

Part Number	Depth "D"		Material Thickness		Weight	
	In	mm	In	mm	Lbs/C Ft	kg/100m
P1000 T	1 5/8	41	.105	2.7	185	275
P1100 T	1 5/8	41	.075	1.6	136	202
P2000 T	1 5/8	41	.060	1.5	113	168
P3000 T	1 3/8	35	.105	2.7	165	245
P3300 T	7/8	22	.105	2.7	130	193
P4000 T	1 3/16	21	.060	1.5	79	118
P4100 T	1 3/16	21	.075	1.6	87	129
P5000 T	3/4	82	.105	2.7	300	446
P5500 T	2 7/16	62	.105	2.7	242	360

Standard Lengths: 10' and 20'.

Note: For beam load capacity, use 85% of appropriate load chart.

## "KO" SERIES



7/8" (22.2) Knockouts  
6" (152.4) on Center

Part Number	Depth "D"		Material Thickness		Weight	
	In	mm	In	mm	Lbs/C Ft	kg/100m
P1000 KO	1 5/8	41	.105	2.7	190	283
P1100 KO	1 5/8	41	.075	1.9	140	208
P2000 KO	1 5/8	41	.060	1.5	117	174
P3000 KO	1 5/8	35	.105	2.7	170	253
P5000 KO	3/4	82	.105	2.7	305	454
P5500 KO	2 7/16	62	.105	2.7	247	368

Standard Lengths: 10' and 20'.

Note: For beam load capacity, use 95% of appropriate load chart.

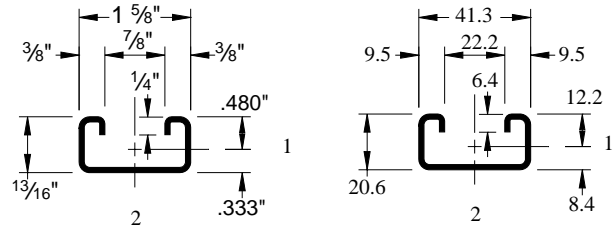
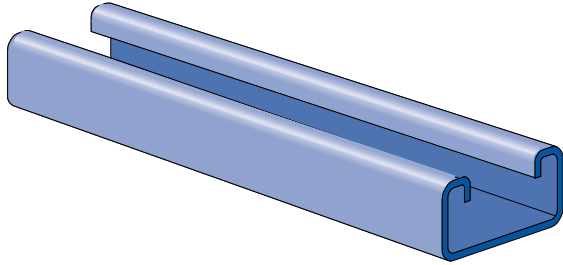
# P4100™ & P4101 CHANNELS

FOR 1 5/8" (41 MM) WIDTH SERIES CHANNEL



1 5/8" Channels

## P4100



Nuts & Hardware

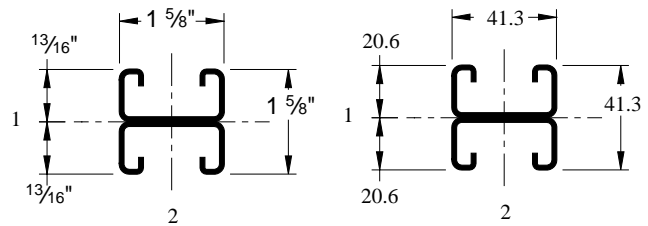
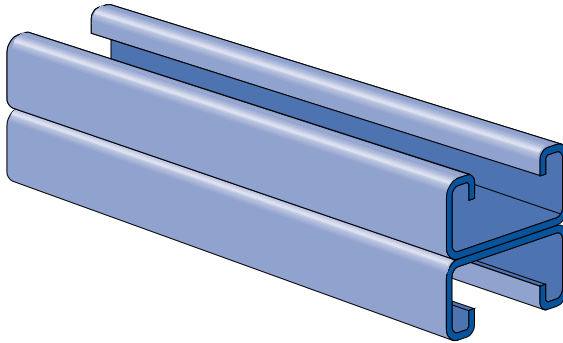
General Fittings

Pierced channels are found on pages 60 and 61.

Weight: 97 Lbs/C Ft (144 kg/100 m)

Pipe/Conduit Supports

## P4101



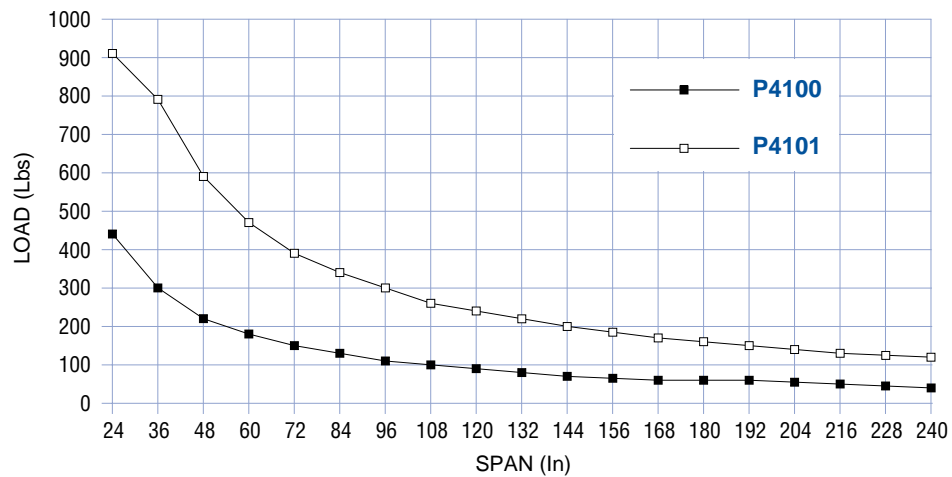
Electrical Fittings

Concrete Inserts

Weight: 194 Lbs/C Ft (289 kg/100 m)

1 1/4" Framing System

## BEAM LOAD\*



1 3/16" Framing System

Spec. Metals & Fiberglass

\*Maximum allowable uniform load.

Channel	Weight		Allowable Moment		Material Thickness		Standard Lengths		Finishes				Other Materials	
	Lbs/Ft	kg/m	In-Lb	N*m	In	mm	10'	20'	PL	GR	HG	PG	SS	EA
P4100	.97	1.4	1,330	150	.075	1.9	■	■	■	■	■	■		
P4101	1.94	2.9	3,550	400	.075	1.9	■	■	■	■	■	■		

Nominal thickness of 14 gage strip steel is .075 inches.

Index

# CHANNELS & COMBINATIONS

FOR 1½" (41 MM) WIDTH SERIES CHANNEL



1 5/8" Channels
Nuts & Hardware
General Fittings
Pipe/Conduit Supports
Electrical Fittings
Concrete Inserts
1¼" Framing System
13/16" Framing System
Spec. Metals & Fiberglass
Index

	Page
<b>P1000</b> 12 Gage	23
<b>P1100</b> 14 Gage	32
<b>P2000</b> 16 Gage	36
<b>P3000</b> 12 Gage	40
<b>P3300</b> 12 Gage	43
<b>P4000</b> 16 Gage	46
<b>P4100</b> 14 Gage	50
<b>P5000</b> 12 Gage	53
<b>P5500</b> 12 Gage	56
<b>Closure Strips</b>	59
<b>Pierced Sections</b>	60
<b>P9000 Series</b> 12 Gage	62



### MATERIAL

Unistrut channels are accurately and carefully cold formed to size from low-carbon strip steel.

Spot-welded combination members are welded 3" (maximum) on center.

**STEEL: PLAIN**  
12 Ga. (2.7 mm), 14 Ga.(1.9 mm)  
ASTM A570 GR 33  
16 Ga. (1.5 mm) ASTM A366

**STEEL: PRE-GALVANIZED**  
12 Ga. (2.7 mm), 14 Ga. (1.9 mm)  
and 16 Ga. (1.5mm) ASTM A653  
GR 33

For other materials, see Special Metals and Fiberglass section.

### FINISHES

All channels are available in: Perma Green II (GR), pre-galvanized (PG), conforming to ASTM A653; Hot-dipped galvanized (HG), conforming to ASTM A123 or A153; and plain (PL).

### STANDARD LENGTHS

Standard lengths are 10 feet (3.05m) and 20 feet (6.10m). Tolerances are +⅝" (3.2 mm) to +½" (12.7 mm) to allow for cutting. Special lengths are available for a small cutting charge with a tolerance of ±⅝" (3.2mm).

### CURVED CHANNEL

Many Unistrut 1½" (41mm) channel sections are available as curved pieces in both single and combination styles. Contact your local Unistrut Service Center or Unistrut Corporation for ordering information.

### DIMENSIONS

Imperial dimensions are illustrated in inches. Metric dimensions are shown in millimeters and rounded to one decimal place.

### LOAD DATA

All beam and column load data pertains to carbon steel and stainless steel channels. Load tables and charts are constructed to be in accordance with the SPECIFICATION FOR THE DESIGN OF COLD-FORMED STEEL STRUCTURAL MEMBERS AUGUST 19, 1986 EDITION with DECEMBER 11, 1989 ADDENDUM published by the AMERICAN IRON AND STEEL INSTITUTE.

# CHANNELS & COMBINATIONS

FOR 1 5/8" (41 MM) WIDTH SERIES CHANNEL



1 5/8" Channels

Nuts & Hardware

General Fittings

Pipe/Conduit Supports

Electrical Fittings

Concrete Inserts

1/4" Framing System

3/16" Framing System

Spec. Metals & Fiberglass

Index

## CHANNEL SELECTION CHART

Channel	Channel Dimensions				Material & Thickness			Hole Pattern Styles					
	Width		Height		Steel	Stain-less Steel	Alum.	KO	T	SL	HS	DS	H3
	In	mm	In	mm									
<b>P1000</b>	1 5/8	41	1 5/8	41	12 ga	12 ga	.109						
<b>P1100</b>	1 5/8	41	1 5/8	41	14 ga	14 ga	—						
<b>P2000</b>	1 5/8	41	1 5/8	41	16 ga	—	—						
<b>P3000</b>	1 5/8	41	1 3/8	35	12 ga	—	—						
<b>P3300</b>	1 5/8	41	7/8	22	12 ga	12 ga	—						
<b>P4000</b>	1 5/8	41	13/16	21	16 ga	16 ga	.078						
<b>P4100</b>	1 5/8	41	13/16	21	14 ga	—	—						
<b>P5000</b>	1 5/8	41	3/4	83	12 ga	—	—						
<b>P5500</b>	1 5/8	41	27/16	62	12 ga	—	.109						

- This reference chart reflects the available channels and hole patterns manufactured by Unistrut Corporation.
- Stainless steel sections are also available on special order in "T," "SL" and "HS" hole pattern.
- Metric equivalent for material thickness: 12 ga. (2.7 mm); 14 ga. (1.9 mm); and 16 ga. (1.5 mm).

\* Not available in aluminum.

## CHANNELS & COMBINATIONS IN DESCENDING ORDER OF STRENGTH

Channel	S in <sup>3</sup>	I in <sup>4</sup>	Area in <sup>2</sup>	Weight Lbs/Ft
<b>P5001</b>	1.716*	5.578*	1.794	6.10
<b>P1004 A</b>	1.673	4.079	1.978	6.70
<b>P5501</b>	1.153	2.811	1.453	4.94
<b>P1001 C41</b>	1.145	1.860	2.223	7.60
<b>P5000</b>	.628	1.099	.897	3.05
<b>P1001</b>	.572	.930	1.112	3.80
<b>P1101</b>	.456	.741	.834	2.84
<b>P3001</b>	.431	.593	1.007	3.40
<b>P5500</b>	.391	.523	.726	2.47
<b>P2001</b>	.379	.616	.681	2.32
<b>P9200</b>	.297	.278	.489	2.23

Channel	S in <sup>3</sup>	I in <sup>4</sup>	Area in <sup>2</sup>	Weight Lbs/Ft
<b>P9000</b>	.203	.164	.384	2.05
<b>P3301</b>	.202	.177	.797	2.70
<b>P1000</b>	.202	.185	.556	1.90
<b>P1100</b>	.166	.149	.417	1.42
<b>P3000</b>	.154	.121	.503	1.70
<b>P4101</b>	.141	.114	.574	1.94
<b>P2000</b>	.140	.124	.340	1.16
<b>P4001</b>	.125	.101	.478	1.64
<b>P3300</b>	.072	.037	.398	1.35
<b>P4100</b>	.053	.025	.287	.97
<b>P4000</b>	.048	.023	.239	.82

\* Effective section properties.

# PIERCED CHANNELS

FOR 1 5/8" (41 MM) WIDTH SERIES CHANNEL



1 5/8" Channels

Nuts & Hardware

General Fittings

Pipe/Conduit Supports

Electrical Fittings

Concrete Inserts

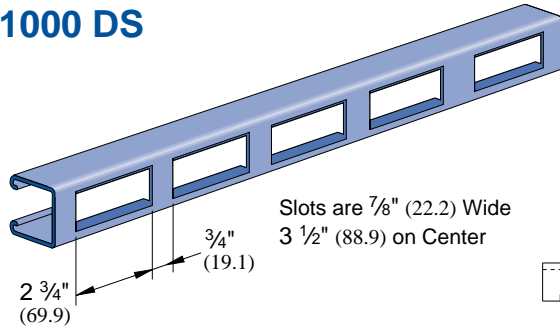
1 1/4" Framing System

1 3/16" Framing System

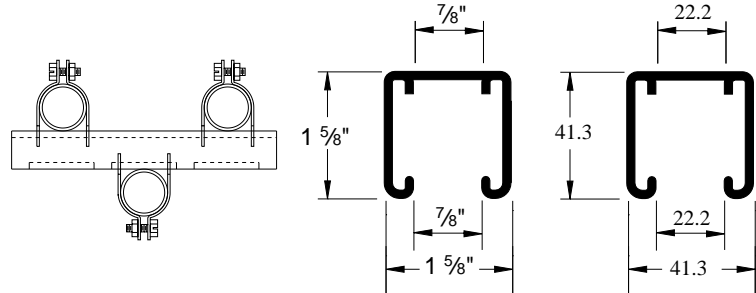
Spec. Metals & Fiberglass

Index

## P1000 DS



Slots are 7/8" (22.2) Wide  
3 1/2" (88.9) on Center

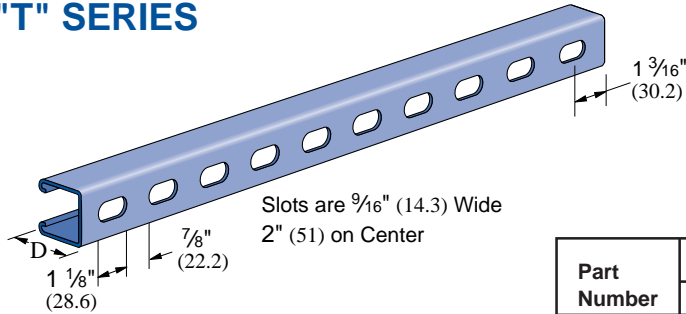


Standard Lengths: 10' and 20'.

Note: For beam load capacity, use 70% of P1000 load chart.

Weight: 173 Lbs/C Ft (257 kg/100m)

## "T" SERIES



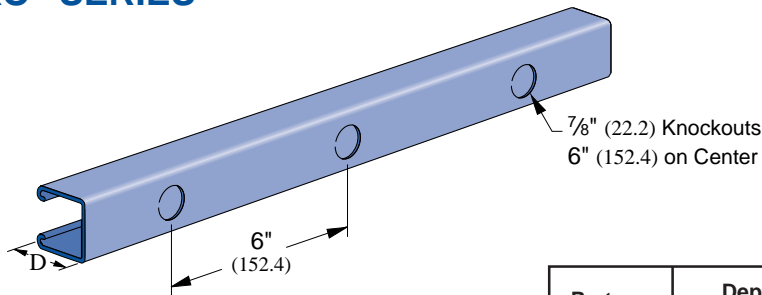
Slots are 9/16" (14.3) Wide  
2" (51) on Center

Part Number	Depth "D"		Material Thickness		Weight	
	In	mm	In	mm	Lbs/C Ft	kg/100m
<b>P1000 T</b>	1 5/8	41	.105	2.7	185	275
<b>P1100 T</b>	1 5/8	41	.075	1.6	136	202
<b>P2000 T</b>	1 5/8	41	.060	1.5	113	168
<b>P3000 T</b>	1 3/8	35	.105	2.7	165	245
<b>P3300 T</b>	7/8	22	.105	2.7	130	193
<b>P4000 T</b>	1 3/16	21	.060	1.5	79	118
<b>P4100 T</b>	1 3/16	21	.075	1.6	87	129
<b>P5000 T</b>	3 1/4	82	.105	2.7	300	446
<b>P5500 T</b>	2 7/16	62	.105	2.7	242	360

Standard Lengths: 10' and 20'.

Note: For beam load capacity, use 85% of appropriate load chart.

## "KO" SERIES



7/8" (22.2) Knockouts  
6" (152.4) on Center

Part Number	Depth "D"		Material Thickness		Weight	
	In	mm	In	mm	Lbs/C Ft	kg/100m
<b>P1000 KO</b>	1 5/8	41	.105	2.7	190	283
<b>P1100 KO</b>	1 5/8	41	.075	1.9	140	208
<b>P2000 KO</b>	1 5/8	41	.060	1.5	117	174
<b>P3000 KO</b>	1 5/8	35	.105	2.7	170	253
<b>P5000 KO</b>	3 1/4	82	.105	2.7	305	454
<b>P5500 KO</b>	2 7/16	62	.105	2.7	247	368

Standard Lengths: 10' and 20'.

Note: For beam load capacity, use 95% of appropriate load chart.