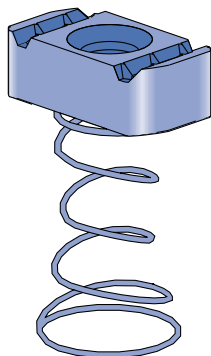
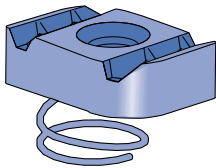
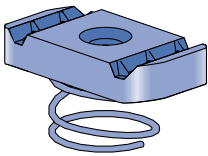
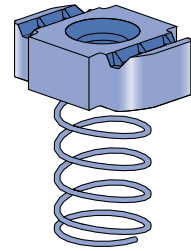
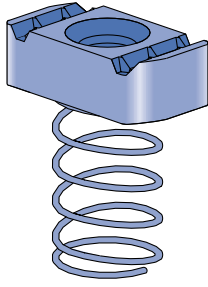




15/16" Channel  
 Telesrnut System  
 Nuts & Hardware  
 General Fittings  
 Pipe/Conduit Supports  
 Electrical Fittings  
 Concrete Inserts  
 1 1/4" Framing System  
 1 3/16" Framing System  
 Fiberglass System  
 Special Metals  
 PrimeAngle System  
 Product Index



■ Acceptable for use

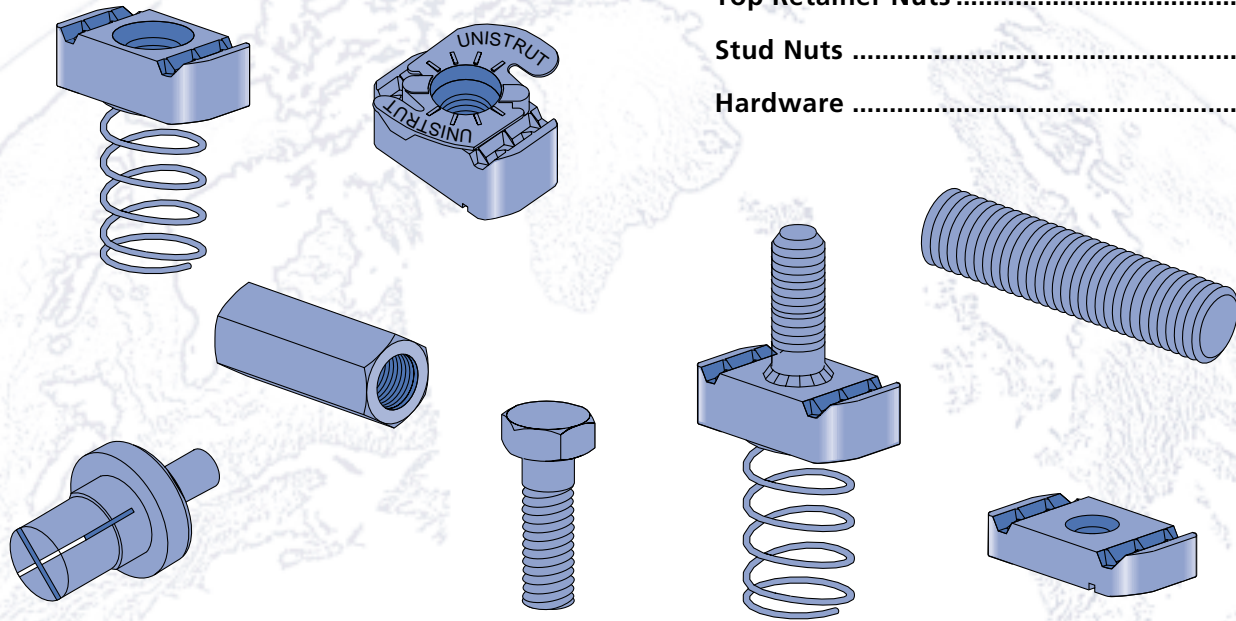
| Channel nut Part number | Nut Size Thread | Wt/100 pcs Lbs (kg) | For Use With Channel P1000, P1100, P2000, P3000 |   |   |   |
|-------------------------|-----------------|---------------------|---|---|---|---|
| P1006-0832              | #8 -32          | 7<br>3.2            | ■   | - | - | - |
| P1006-1024              | #10 -24         | 7<br>3.2            | ■   | - | - | - |
| P1006-1420              | 1/4" -20        | 7<br>3.2            | ■   | - | - | - |
| P1007                   | 5/16" -18       | 6<br>2.7            | ■   | - | - | - |
| P1008                   | 3/8" -16        | 10<br>4.5           | ■   | - | - | - |
| P1009                   | 7/16" -14       | 9<br>4.1            | ■   | - | - | - |
| P1010                   | 1/2" -13        | 12<br>5.4           | ■   | - | - | - |
| Channel nut Part number | Nut Size Thread | Wt/100 pcs Lbs (kg) | For Use With Channel P1000, P1100, P2000, P3000 |   |   |   |
| P1012S                  | 5/8" -11        | 21<br>9.5           | ■   | - | - | - |
| P1023S                  | 3/4" -10        | 21<br>9.5           | ■   | - | - | - |
| P1024S                  | 7/8" -9         | 21<br>9.5           | ■   | - | - | - |
| Channel nut Part number | Nut Size Thread | Wt/100 pcs Lbs (kg) | For Use With Channel P3300, P4000, P4100        |   |   |   |
| P4006-0832              | # 8 -32         | 7<br>3.2            | -   | ■ | - | - |
| P4006-1024              | #10 -24         | 7<br>3.2            | -   | ■ | - | - |
| P4006-1420              | 1/4" -20        | 7<br>3.2            | -   | ■ | - | - |
| P4007                   | 5/16" -18       | 6<br>2.7            | -   | ■ | - | - |
| P4008                   | 3/8" -16        | 9<br>4.1            | -   | ■ | - | - |
| P4009                   | 7/16" -14       | 9<br>4.1            | -   | ■ | - | - |
| P4010                   | 1/2" -13        | 8<br>3.6            | -   | ■ | - | - |
| Channel nut Part number | Nut Size Thread | Wt/100 pcs Lbs (kg) | For Use With Channel P3300, P4000, P4100        |   |   |   |
| P4012S                  | 5/8" -11        | 10<br>4.5           | -   | ■ | - | - |
| P4023S                  | 3/4" -10        | 10<br>4.5           | -   | ■ | - | - |
| Channel nut Part number | Nut Size Thread | Wt/100 pcs Lbs (kg) | For Use With P5500                              |   |   |   |
| P5506-0832              | #8 -32          | 7<br>3.2            | -   | - | - | ■ |
| P5506-1024              | #10 -24         | 7<br>3.2            | -   | - | - | ■ |
| P5506-1420              | 1/4" -20        | 7<br>3.2            | -   | - | - | ■ |
| P5507                   | 5/16" -18       | 6<br>2.7            | -   | - | - | ■ |
| P5508                   | 3/8" -16        | 10<br>4.5           | -   | - | - | ■ |
| P5509                   | 7/16" -14       | 10<br>4.5           | -   | - | - | ■ |
| P5510                   | 1/2" -13        | 12<br>5.4           | -   | - | - | ■ |



**UNISTRUT®**

# NUTS & HARDWARE

Channel Nuts With Springs ..... 78  
 Channel Nuts Without Springs ..... 79  
 Top Retainer Nuts ..... 79  
 Stud Nuts ..... 80  
 Hardware ..... 81



## MATERIAL

Unistrut channel nuts are manufactured from mild steel bars, and after machining operations are completed, they are case hardened, assuring positive biting action into the inturned edge of the Unistrut channel.

The standard channel nut conforms to ASTM A576 GR 1015 modified and A1011 SS GR 45.

Screws conform to SAE J429 GR 2 (also meets and exceeds ASTM A307).

## FINISHES

Nuts, bolts and washers are electro-galvanized (EG), ASTM B633 Type III SC1 finish, unless otherwise noted.

Many hardware items are also available in stainless steel. Consult factory for ordering information.

## THREADS

All threads on the nuts and bolts are Unified and American coarse screw threads.

## DESIGN BOLT TORQUE

|                  |      |       |      |      |      |      |
|------------------|------|-------|------|------|------|------|
| <b>BOLT SIZE</b> | 1/4" | 5/16" | 3/8" | 1/2" | 5/8" | 3/4" |
| <b>FOOT LBS.</b> | 6    | 11    | 19   | 50   | 100  | 125  |
| <b>N·m</b>       | 8    | 15    | 25   | 70   | 135  | 170  |

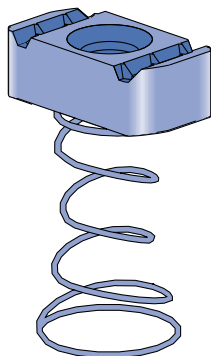
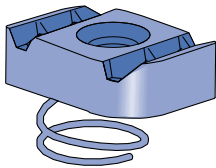
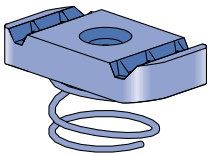
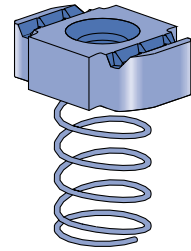
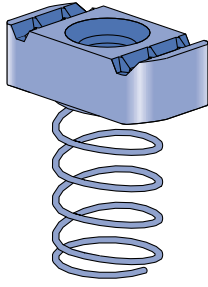
## DIMENSIONS

Imperial dimensions are illustrated in inches. Metric dimensions are shown in parenthesis or as noted. Unless noted, all metric dimensions are in millimeters and rounded to one decimal place.

Many Unistrut nuts, bolts and hardware items are also available in standard metric dimensions. Consult factory for ordering information.



15/16" Channel  
 Telesrnut System  
 Nuts & Hardware  
 General Fittings  
 Pipe/Conduit Supports  
 Electrical Fittings  
 Concrete Inserts  
 1 1/4" Framing System  
 1 3/16" Framing System  
 Fiberglass System  
 Special Metals  
 PrimeAngle System  
 Product Index



■ Acceptable for use

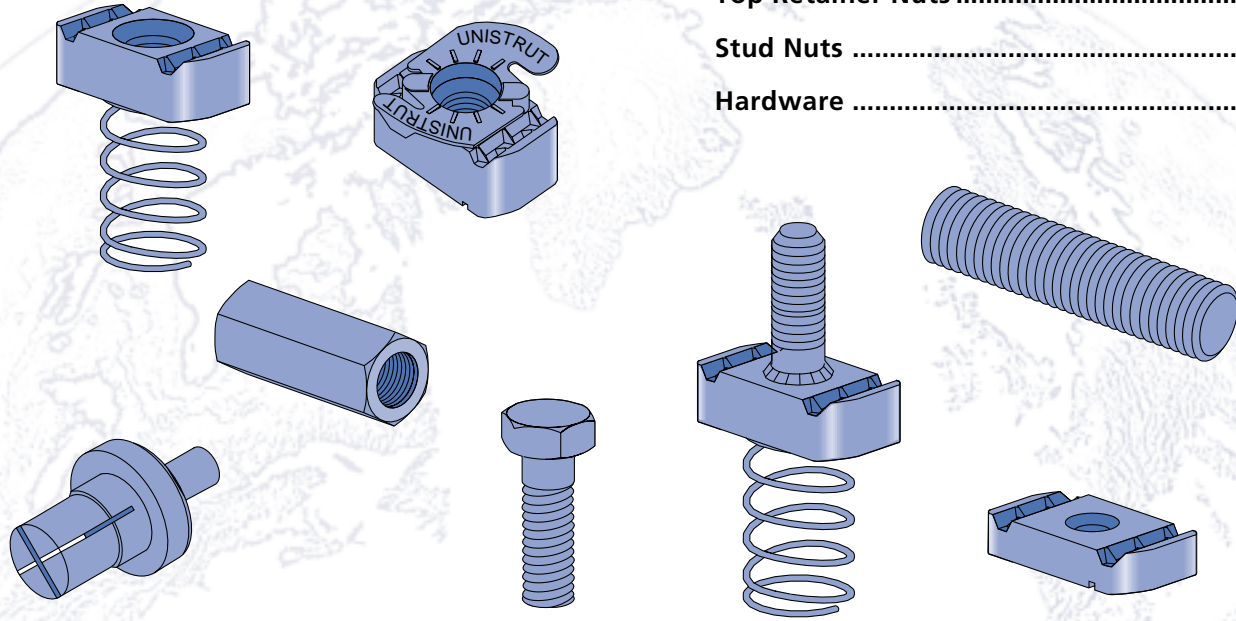
| Channel nut Part number | Nut Size Thread | Wt/100 pcs Lbs (kg) | For Use With Channel P1000, P1100, P2000, P3000 |   |   |   |
|-------------------------|-----------------|---------------------|---|---|---|---|
| P1006-0832              | #8 -32          | 7<br>3.2            | ■   | - | - | - |
| P1006-1024              | #10 -24         | 7<br>3.2            | ■   | - | - | - |
| P1006-1420              | 1/4" -20        | 7<br>3.2            | ■   | - | - | - |
| P1007                   | 5/16" -18       | 6<br>2.7            | ■   | - | - | - |
| P1008                   | 3/8" -16        | 10<br>4.5           | ■   | - | - | - |
| P1009                   | 7/16" -14       | 9<br>4.1            | ■   | - | - | - |
| P1010                   | 1/2" -13        | 12<br>5.4           | ■   | - | - | - |
| Channel nut Part number | Nut Size Thread | Wt/100 pcs Lbs (kg) | For Use With Channel P1000, P1100, P2000, P3000 |   |   |   |
| P1012S                  | 5/8" -11        | 21<br>9.5           | ■   | - | - | - |
| P1023S                  | 3/4" -10        | 21<br>9.5           | ■   | - | - | - |
| P1024S                  | 7/8" -9         | 21<br>9.5           | ■   | - | - | - |
| Channel nut Part number | Nut Size Thread | Wt/100 pcs Lbs (kg) | For Use With Channel P3300, P4000, P4100        |   |   |   |
| P4006-0832              | # 8 -32         | 7<br>3.2            | -   | ■ | - | - |
| P4006-1024              | #10 -24         | 7<br>3.2            | -   | ■ | - | - |
| P4006-1420              | 1/4" -20        | 7<br>3.2            | -   | ■ | - | - |
| P4007                   | 5/16" -18       | 6<br>2.7            | -   | ■ | - | - |
| P4008                   | 3/8" -16        | 9<br>4.1            | -   | ■ | - | - |
| P4009                   | 7/16" -14       | 9<br>4.1            | -   | ■ | - | - |
| P4010                   | 1/2" -13        | 8<br>3.6            | -   | ■ | - | - |
| Channel nut Part number | Nut Size Thread | Wt/100 pcs Lbs (kg) | For Use With Channel P3300, P4000, P4100        |   |   |   |
| P4012S                  | 5/8" -11        | 10<br>4.5           | -   | ■ | - | - |
| P4023S                  | 3/4" -10        | 10<br>4.5           | -   | ■ | - | - |
| Channel nut Part number | Nut Size Thread | Wt/100 pcs Lbs (kg) | For Use With P5500                              |   |   |   |
| P5506-0832              | #8 -32          | 7<br>3.2            | -   | - | - | ■ |
| P5506-1024              | #10 -24         | 7<br>3.2            | -   | - | - | ■ |
| P5506-1420              | 1/4" -20        | 7<br>3.2            | -   | - | - | ■ |
| P5507                   | 5/16" -18       | 6<br>2.7            | -   | - | - | ■ |
| P5508                   | 3/8" -16        | 10<br>4.5           | -   | - | - | ■ |
| P5509                   | 7/16" -14       | 10<br>4.5           | -   | - | - | ■ |
| P5510                   | 1/2" -13        | 12<br>5.4           | -   | - | - | ■ |



**UNISTRUT®**

# NUTS & HARDWARE

|                                    |    |
|------------------------------------|----|
| Channel Nuts With Springs .....    | 78 |
| Channel Nuts Without Springs ..... | 79 |
| Top Retainer Nuts .....            | 79 |
| Stud Nuts .....                    | 80 |
| Hardware .....                     | 81 |



## MATERIAL

Unistrut channel nuts are manufactured from mild steel bars, and after machining operations are completed, they are case hardened, assuring positive biting action into the inturned edge of the Unistrut channel.

The standard channel nut conforms to ASTM A576 GR 1015 modified and A1011 SS GR 45.

Screws conform to SAE J429 GR 2 (also meets and exceeds ASTM A307).

## FINISHES

Nuts, bolts and washers are electro-galvanized (EG), ASTM B633 Type III SC1 finish, unless otherwise noted.

Many hardware items are also available in stainless steel. Consult factory for ordering information.

## THREADS

All threads on the nuts and bolts are Unified and American coarse screw threads.

## DESIGN BOLT TORQUE

| BOLT SIZE | 1/4" | 5/16" | 3/8" | 1/2" | 5/8" | 3/4" |
|-----------|------|-------|------|------|------|------|
| FOOT LBS. | 6    | 11    | 19   | 50   | 100  | 125  |
| N·m       | 8    | 15    | 25   | 70   | 135  | 170  |

## DIMENSIONS

Imperial dimensions are illustrated in inches. Metric dimensions are shown in parenthesis or as noted. Unless noted, all metric dimensions are in millimeters and rounded to one decimal place.

Many Unistrut nuts, bolts and hardware items are also available in standard metric dimensions. Consult factory for ordering information.