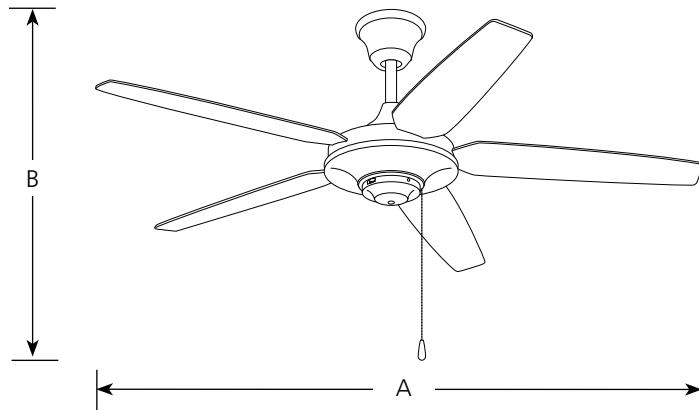


Type _____
-09 -20 -30W
P2530

| Catalog No | Finish | | | Dimensions (Inches) | |
|------------|----------------|----------------|-------|---------------------|--------|
| | Brushed Nickel | Antique Bronze | White | A | B |
| P2530 | -09 | -20 | -30W | 54 | 15-1/8 |
| Blades | | | | | |
| Side 1 | Silver | Medium Cherry | White | | |
| Side 2 | Natural Cherry | Classic Walnut | White | | |



ENERGYGUIDE

| | |
|---|--|
| <p>Estimated Yearly Energy Cost</p> <p style="font-size: 2em; font-weight: bold;">\$11</p> <p style="font-size: 0.8em;">Cost Range of Similar Models (19" - 84")</p> <p style="font-size: 0.7em;"> • Based on 12 cents per kWh and 6.4 hours use per day • Your cost depends on rates and use • Energy Use: 39 Watts </p> | <p>Airflow</p> <p style="font-size: 2em; font-weight: bold;">3,318</p> <p style="font-size: 0.8em;">Cubic Feet Per Minute</p> <p style="font-size: 0.7em;"> • The higher the airflow, the more air the fan will move • Airflow Efficiency: 84 Cubic Feet Per Minute Per Watt </p> |
|---|--|

All estimates based on national data. Availability subject to manufacturer.

Fan on included 6" downrod.

Specifications:

General

- 30 year limited warranty

Blades

- Five blades
- Reversible
- 12 degree pitch
- Sure Connect blade attachment system
 - Screws preinstalled in blades for attachment to motor arms
 - Special guides align blades to motor arms
 - Preinstalled rubber isolation pads minimize vibration noise
- MDF blade construction

Motor

- Three speed control; manual reverse control
- 153mm dia x 18mm high
- Pull chain on brushed nickel (-09) is chrome with a maple fob, antique brass (-20) is oxide with a walnut fob, and white (-30W) has antique chrome chain with white fob

Mounting

- Quick Install canopy
- Installs without removing J-box screws
- Holds fan for wiring during installation
- Downrod mounting
- A 1"x 6" downrod is included. Longer accessory downrods can be ordered separately
- Standard canopy designed for sloped ceilings up to 45 degrees (12:12 ceiling pitch) using downrod supplied or accessory downrods
- Oversized, textured die cast hanger ball reduces noise and wobble vibrations
- Canopy covers standard recessed 4" octagonal outlet box. Note: An outlet box assembly designed for fan installation is required (not included)
- Mounting hardware is included

Electrical

- 80" lead wires included
- Light fixture adaptable

Labeling

- UL/CUL listed

ENERGY INFORMATION AT HIGH SPEED

AIRFLOW: 4716 CFM cubic feet per minute

ELECTRICITY USE: 65 watts (excludes lights)

AIRFLOW EFFICIENCY: 73 cubic feet per minute per watt

Progress Lighting
701 Millennium Blvd.
Greenville, South Carolina
29607