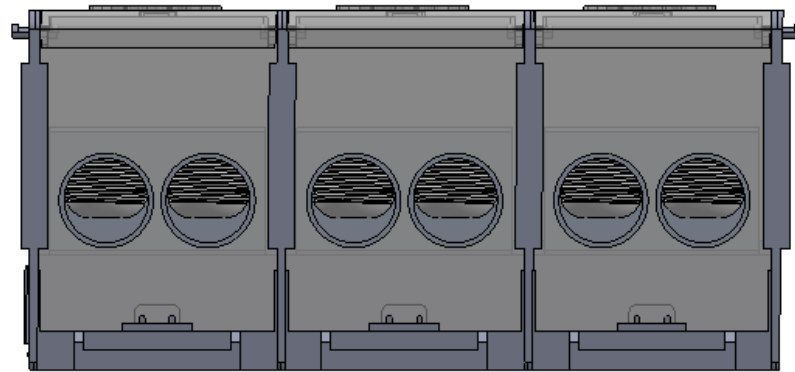
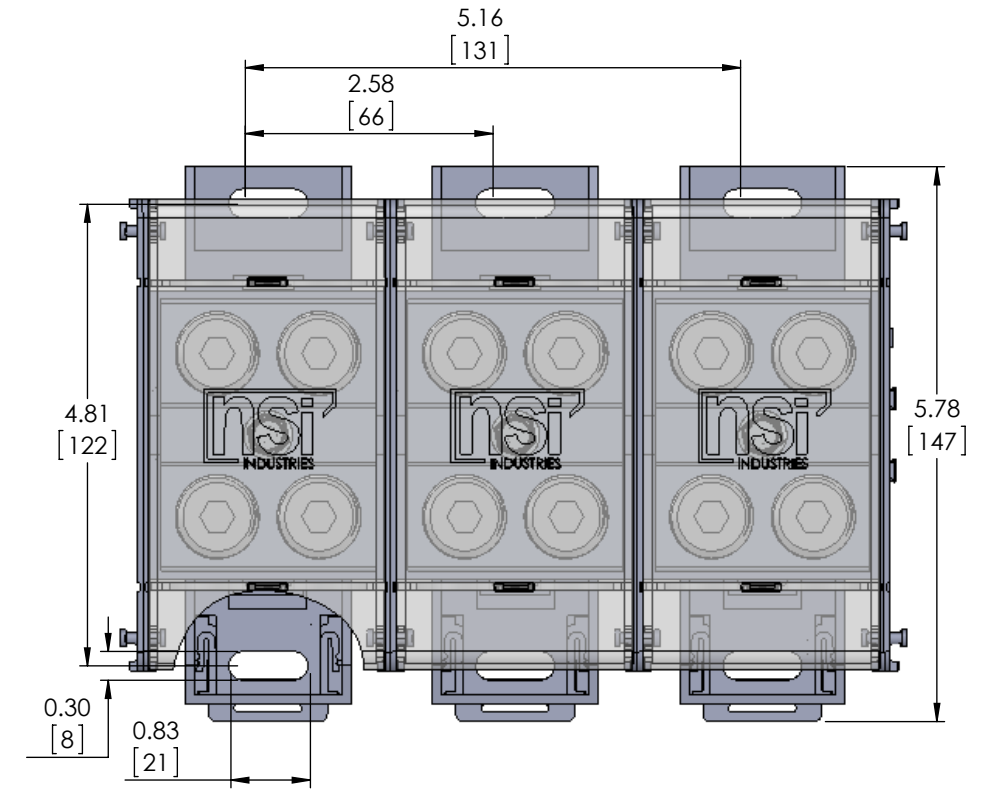
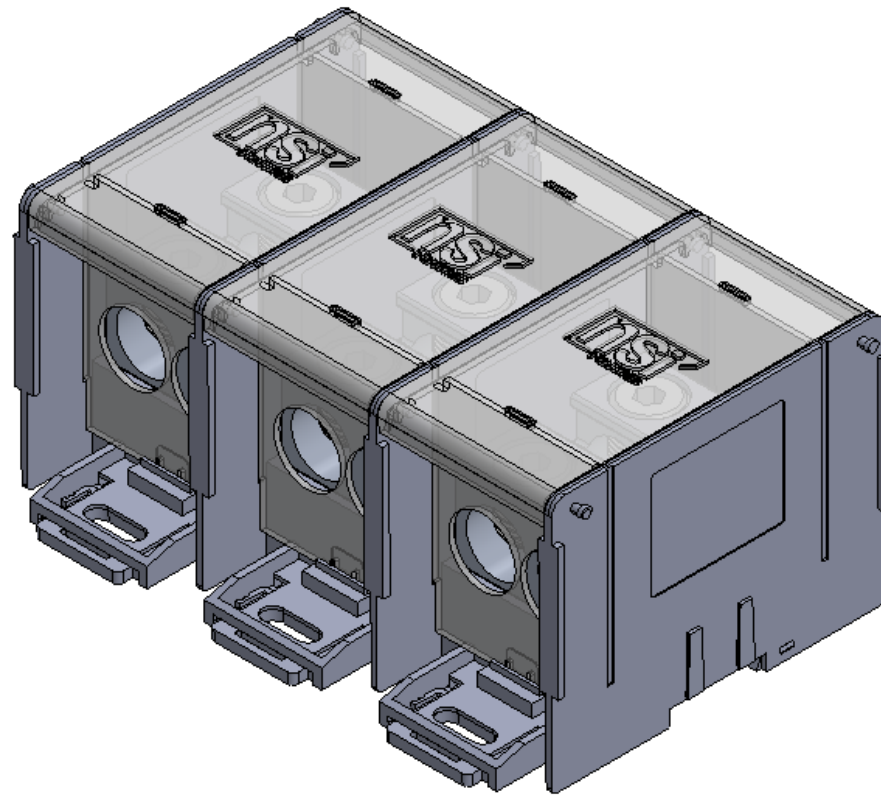
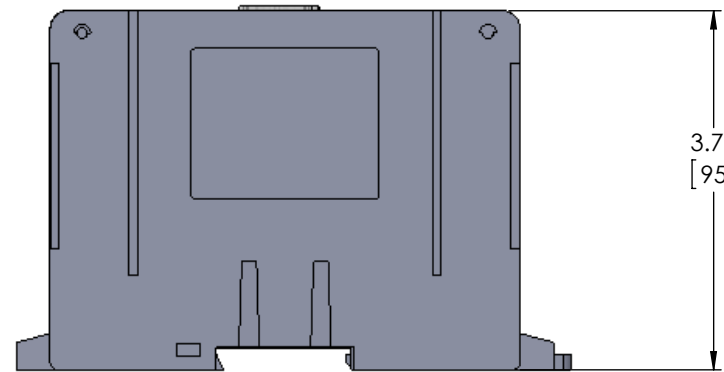


FEATURES:

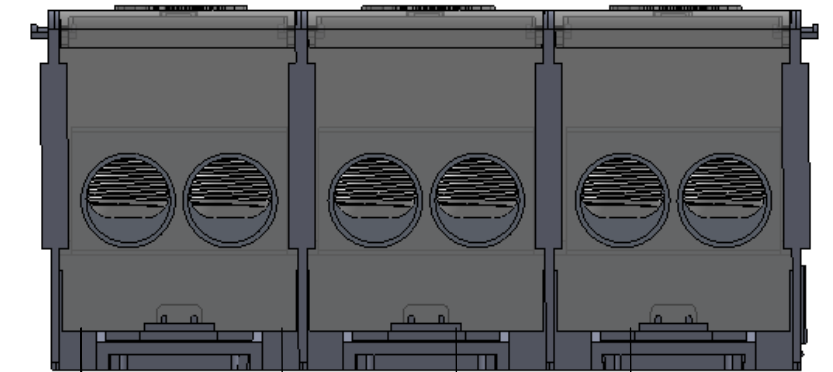
- AVAILABLE IN BOTH AN OPEN STYLE AND A FINGER SAFE STYLE
- CULus LISTED TO UL 1953 AND 1059
- AL9CU RATED
- FINGER SAFE STYLES PROVISION
- OPTIONAL TOP COVER FOR OPEN STYLE (NPDA) FOR ADDED 100KA SCCR RATING WITH CORRECT FUSING



RUN SIDE



DIN RAL STYLE



2.09 ONE POLE [53]

3.91 TWO POLE [99]

5.72 THREE POLE [145]

TAP SIDE

NPDB - 22 - 500 - 3

- NUMBER OF POLES
- WIRE RANGE
- FIRST DIGIT RUN AND SECOND DIGIT TAP
- NSI POWER DISTRIBUTION BLOCK

NOTES:

- DIMENSIONS IN BRACKETS [] ARE IN MILLIMETERS ROUNDED OFF TO THE NEAREST MILLIMETER, UNLESS OTHERWISE SPECIFIED AND ARE FOR REFERENCE ONLY.
- MATERIALS : BASE, POLE SEPARATING SIDE AND LOCK - NYLON 66 GF30%
BLOCK AND RETENTION SCREWS - TIN PLATED ALUMINIUM
FINGER SAFE COVERS - POLYCARBONATE
BLOCK MOUNTING HARD WEARE - STAINLESS STEEL

| | | | |
|------------------------------|--|----------|----|
| DO NOT SCALE DRAWING | | REVISION | |
| NSI INDUSTRIES | | | |
| TITLE: NPDB -22-500-3 | | | |
| DWG NO. | | | A3 |
| SHEET 1 OF 1 | | | |