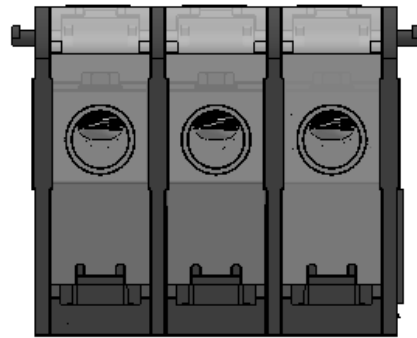
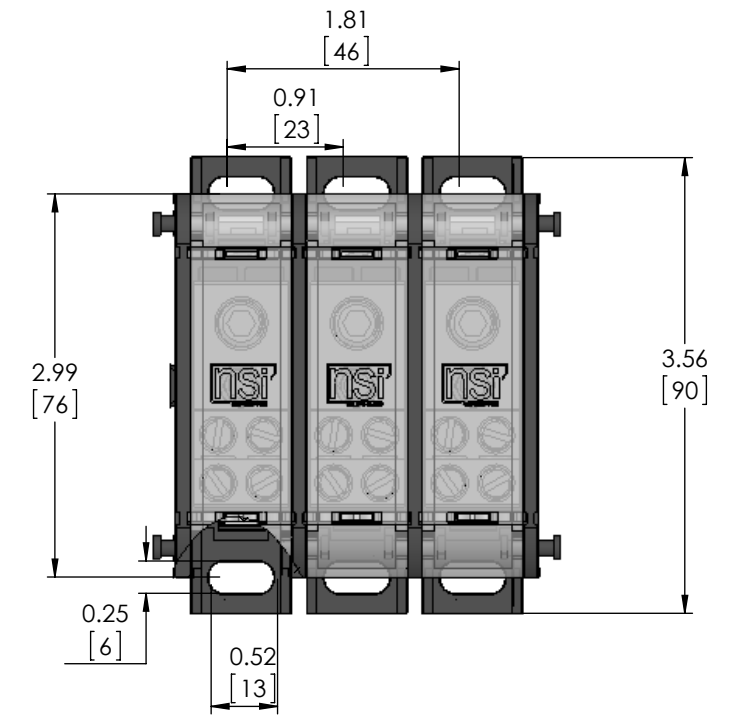
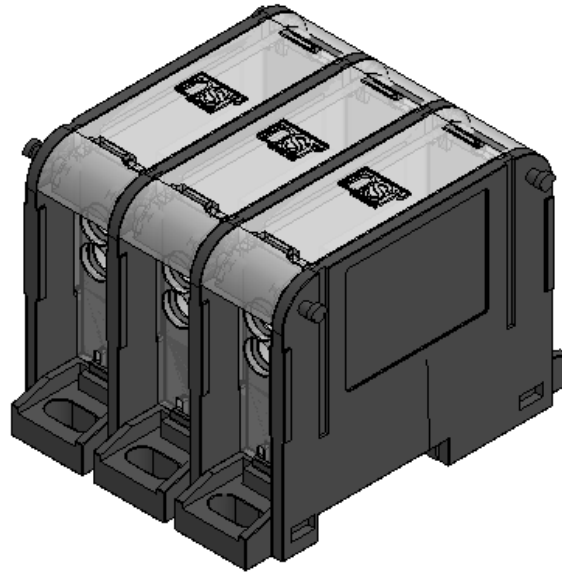
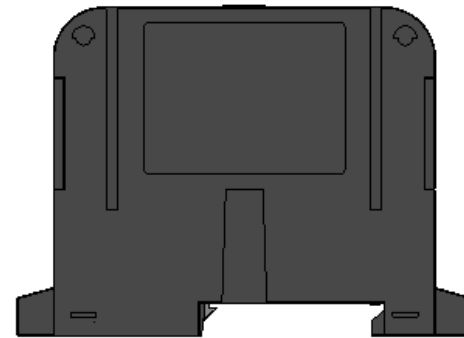


FEATURES:

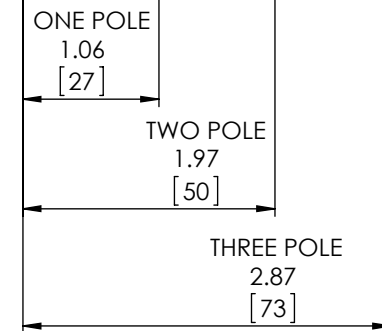
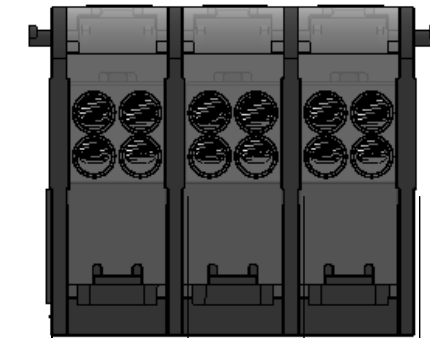
- AVAILABLE IN BOTH AN OPEN STYLE AND A FINGER SAFE STYLE
- CULus LISTED TO UL 1953 AND 1059
- AL9CU RATED
- FINGER SAFE STYLES PROVISION
- OPTIONAL TOP COVER FOR OPEN STYLE (NPDA)FOR ADDED 100KA SCCR RATING WITH CORRECT FUSING



RUN SIDE

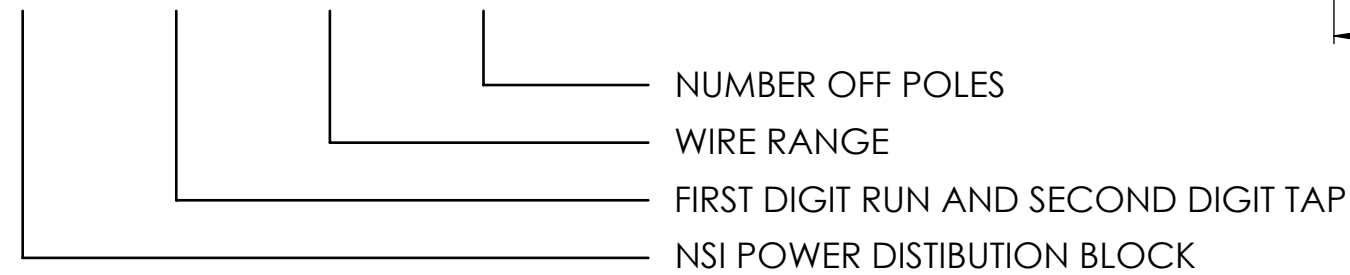


DIN RAIL STYLE



TAP SIDE

NPDB - 14 - 2/0 - 3



NOTES :

- DIMENSIONS IN BREKETS [] ARE IN MILIMETERS RONDED OFF TO THE NEAREST MILIMETER ,UNLESS OTHERWISE SPECIFIED AND ARE FOR REFERNCE ONLY.
- MATERIALS : BASE , POLE SEPERATING SIDE AND LOCK - NYLON 66 GF30%
BLOCK AND RETENATION SCREWS -TIN PLATTED ALUMINIUM
FINGER SAFE COVERS -POLYCARBONATE
BLOCK MOUNTING HARD WEARE - STAINLESS STEEL

DO NOT SCALE DRAWING		REVISION	
NSI INDUSTRIES			
TITLE:		NPDB -14-2/0-3	
DWG NO.			A3
SHEET 1 OF 1			