

## DESCRIPTION

The Halo MST203T outdoor security floodlight incorporates an adjustable motion sensor, field-selectable CCT, and advanced two-stage optics into a twin head LED design ideal for a wide variety of applications. Features improved adjustability, easy install components, and adaptor plate kit for hassle-free installation. The motion sensor is available with 180° or 270° detection up to 50' range, with adjustable sensitivity and duration from 1-12 minutes. The durable die-cast aluminum housing is available in bronze or white powder coat finish, ensuring years of reliable, maintenance-free operation.

<b>Catalog #</b>		<b>Type</b>
<b>Project</b>		
<b>Comments</b>		<b>Date</b>
<b>Prepared by</b>		

## SPECIFICATION FEATURES

### Construction

- Durable die-cast aluminum housing with UV stable clear lens
- Powder coated bronze or white finish
- Optically enhanced reflector improves efficiency and delivered lumens
- Tool-less head and motion sensor adjustment
- Wall or eave mounted to recessed or surface junction boxes.

### Electrical

- 120VAC, 60Hz
- Maintenance-free LEDs with 70,000 hours of life
- Fixture operating temperature of -30°C to 40°C
- cULus listed for wet locations
- External supply wiring 75°C minimum
- Motion sensor detects motion 180° or 270° up to 50 feet
- Selectable duration to keep floodlights on up to 12 minutes
- Adjustable sensitivity

- Integral photocell prevents lights from turning on with motion during daylight hours
- Manual override allows fixture to operate as a standard floodlight for up to 6 hours

### Optics

- Two-stage optics for maximum coverage
- Field selectable CCT: 3000K, 4000K and 5000K

### Warranty

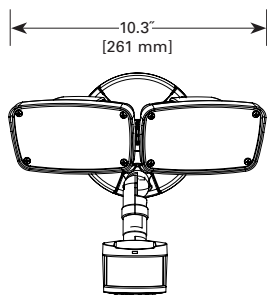
- 5 year limited warranty



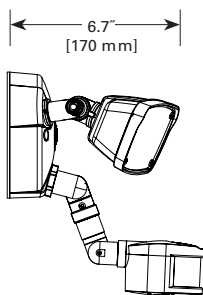
## MST203T Twin Head LED Motion Series

## DIMENSIONS

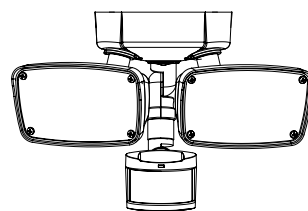
Front View



Side View



Eave Mount



## ORDERING INFORMATION

Sample Number: MST203T18B

<b>Application</b> MS = Motion Sensor	<b>Heads</b> T = Twin Head	<b>Nominal Wattage</b> 20 = 20W	<b>Color Temperature</b> 3T = Field Selectable CCT	<b>Motion Sensor</b> 18 = 180° Detection 27 = 270° Detection	<b>Technology</b> Blank = Standard PIR D = PIR+Microwave (180° only)	<b>Finish</b> B = Bronze W = White

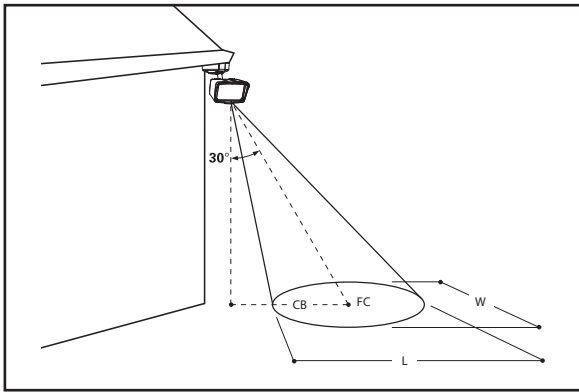
### CERTIFICATION DATA

cULus Wet Location Listed

### TECHNICAL DATA

-30°C to 40°C Temperature Rating  
External Supply Wiring 75° Minimum

PHOTOMETRICS



Area Coverage

	Mounting Height	Length (L)	Width (W)	Area (Sq. Ft.)	Max FC
<b>MST203T Series</b>	10 ft.	18	40	720	4.3
	15 ft.	20	40	800	1.9
	20 ft.	20	40	800	1.1

Note: Bronze fixture at a typical mounting angle of 30° from vertical  
All figures based on minimum footcandle (FC) of 0.5 and 4000K CCT.

Note: Specifications and Dimensions subject to change without notice.

TECHNICAL INFORMATION

Series	Voltage	Power (W)	Delivered Lumens (lm)*	Efficacy (lm/W)	CCT	CRI*	Motion Sensor
MST203T18	120V, 60Hz	22.8	2034	89.2	3000K, 4000K, or 5000K	84	Single PIR, 180° Detection
MST203T27	120V, 60Hz	22.8	2034	89.2	3000K, 4000K, or 5000K	84	Twin PIR, 270° Detection
MST203T18D	120V, 60Hz	22.8	2034	89.2	3000K, 4000K, or 5000K	84	Single PIR + Microwave, 180° Detection

\* Based on factory default setting of 4000K CCT