

## Motor Pigtail Connectors

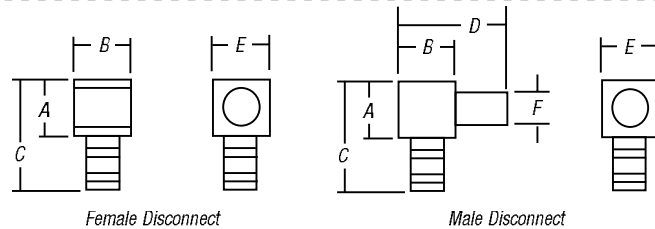
Quick, reliable change-out of electric motors with no bolting, taping or loose connections.

### Motor Lead Disconnects

- Complete line of motor lead disconnects for 600V and 5kV applications, covering wire range from #16 AWG through 500 kcmil
- Fast, snap-together assembly offers maximum labor savings
- No need for nuts, bolts and washers or insulating tape — simply slide on reusable boot
- Total assembly fits into tight motor housings
- Quick disconnect — no knife cutting of melted tape, eliminating the risk of accidental cutting of wire insulation, resulting motor downtime and installer exposure
- Meet or exceed electrical and mechanical performance of bolted connections
- Constructed of high-conductivity copper with tin plating
- Female disconnects equipped with beryllium copper interface band for dependable connections



### Motor Pigtail Connector — One Line to One Load (2 Wire)



CAT. NO.		WIRE SIZE	BODY SIZE	COLOR CODE	BOOT INSULATION	DIMENSIONS (IN.)						STRIP LENGTH (IN.)
FEMALE DISCONNECT	MALE DISCONNECT					A	B	C	D	E	F	
MD1614F-0	MD1614M-0	#16-#14 AWG	0	BLUE	MDBOOT-0	.25	.25	.63	.52	.25	.125	3/64
MD1614F-1	MD1614M-1	#16-#14 AWG	1	BLUE	MDBOOT-1	.38	.38	.78	.75	.38	.250	3/8
MD1210F-1	MD1210M-1	#12-#10 AWG	1	YELLOW	MDBOOT-1	.38	.38	.78	.75	.38	.250	3/8
MD1210F-2	MD1210M-2	#12-#10 AWG	2	YELLOW	MDBOOT-2	.50	.50	.90	1.00	.50	.370	3/8
MD8F-1	MD8M-1	#8 AWG	1	RED	MDBOOT-1	.38	.38	.82	.75	.38	.250	7/16
MD8F-2	MD8M-2	#8 AWG	2	RED	MDBOOT-2	.50	.50	.95	1.00	.50	.370	7/16
MD6F-1	MD6M-1	#6 AWG	1	BLUE	MDBOOT-1	.38	.38	.88	.75	.38	.250	1/2
MD6F-2	MD6M-2	#6 AWG	2	BLUE	MDBOOT-2	.50	.50	1.02	1.00	.50	.370	1/2
MD4F-2	MD4M-2	#4 AWG	2	GRAY	MDBOOT-2	.50	.50	1.06	1.00	.50	.370	1/2
MD2F-2	MD2M-2	#2 AWG	2	BROWN	MDBOOT-2	.50	.50	1.09	1.00	.50	.370	17/32
MD2F-3	MD2M-3	#2 AWG	3	BROWN	MDBOOT-3	.88	.88	1.46	1.75	.88	.500	17/32
MD1F-2	MD1M-2	#1 AWG	2	GREEN	MDBOOT-2	.50	.50	1.23	1.00	.50	.370	7/16
MD1F-3	MD1M-3	#1 AWG	3	GREEN	MDBOOT-3	.88	.88	1.56	1.75	.88	.500	7/16
MD10F-3	MD10M-3	1/0 AWG	3	PINK	MDBOOT-3	.88	.88	1.56	1.75	.88	.500	7/16
MD20F-3	MD20M-3	2/0 AWG	3	BLACK	MDBOOT-3	.88	.88	1.59	1.75	.88	.500	5/8
MD30F-3	MD30M-3	3/0 AWG	3	ORANGE	MDBOOT-3	.88	.88	1.71	1.75	.88	.500	11/16
MD40F-3	MD40M-3	4/0 AWG	3	PURPLE	MDBOOT-3	.88	.88	1.81	1.75	.88	.500	3/4
MD40F-4	MD40M-4	4/0 AWG	4	PURPLE	MDBOOT-4	1.25	1.25	2.89	2.69	1.25	.813	—
MD250F-4	MD250M-4	250 kcmil	4	YELLOW	MDBOOT-4	1.25	1.25	2.89	2.69	1.25	.813	—
MD350F-4	MD350M-4	350 kcmil	4	RED	MDBOOT-4	1.25	1.25	2.89	2.69	1.25	.813	—
MD500F-4	MD500M-4	500 kcmil	4	BROWN	MDBOOT-4	1.25	1.25	2.89	2.69	1.25	.813	—

Tooling: pp. F-80-F-100

Die Selector Chart: pp. F-101-F-104

Connectors & Grounding — Blackburn® Compression Connectors Featuring the Color-Keyed® System

## Motor Pigtail Connectors

Quick, easy installation!

### Motor Pigtail Connector — One Line to One Load (2 Wire) (continued)

- 1 Choose appropriate Blackburn® disconnect for conductor size to be terminated. Note color of bands on disconnect barrel.
- 2 Select proper installing die by matching die color to disconnect barrel color bands.
- 3 Install die in T&B tool, insert stripped wire into barrel of disconnect and compress between color bands. Repeat for mating half.
- 4 Snap the two halves together and slip on insulator over mated connection. Secure insulator with Ty-Rap® cable ties provided with the insulators.



600V Version



5kV Version

**Material:** High-Conductivity Copper

**Plating:** Tin

**Insulator:** Thermoplastic Elastomer



#### INSTALLING TOOLS

CAT. NO.		WT112M WT111M WT2000 ERG4002	TBM6, TBM6S			TBM5 TBM5S	TBM8 TBM8S	HYDRAULIC TOOLS	
FEMALE DISCONNECT	MALE DISCONNECT		TBM45S	UPPER DIE	LOWER DIE	DIE SET	DIE SET	DIE CODE	COLOR
MD1614F-0	MD1614M-0	BLUE	—	—	—	—	—	—	—
MD1614F-1	MD1614M-1	—	—	—	—	—	—	—	—
MD1210F-1	MD1210M-1	YELLOW	—	—	—	—	—	—	—
MD1210F-2	MD1210M-2	—	—	—	—	—	—	—	—
MD8F-1	MD8M-1	—	X	13475	13477	13454	13461	21	RED
MD8F-2	MD8M-2	—	X	13475	13477	13454	13461	21	—
MD6F-1	MD6M-1	—	X	13475	13477	13454	13461	24	BLUE
MD6F-2	MD6M-2	—	X	13475	13477	13454	13461	24	—
MD4F-2	MD4M-2	—	X	13472	13476	13454	13461	29	GRAY
MD2F-2	MD2M-2	—	X	13474	13477	13454	13461	33	BROWN
MD2F-3	MD2M-3	—	X	13474	13477	13454	13461	33	—
MD1F-2	MD1M-2	—	—	13474	13477	13455	13462	37	GREEN
MD1F-3	MD1M-3	—	—	13474	13477	13455	13462	37	—
MD10F-3	MD10M-3	—	—	13475	13477	13455	13462	42	PINK
MD20F-3	MD20M-3	—	—	13474	13477	13455	13462	45	BLACK
MD30F-3	MD30M-3	—	—	13474	13477	13455	13462	50	ORANGE
MD40F-3	MD40M-3	—	—	13475	13477	13456	13463	54	PURPLE
MD40F-4	MD40M-4	—	—	13475	13477	13456	13463	54	—
MD250F-4	MD250M-4	—	—	13473	13476	13456	13463	62	YELLOW
MD350F-4	MD350M-4	—	—	13472	13476	13458	13466	71H	RED
MD500F-4	MD500M-4	—	—	13478	13478	13458	13468	87H	BROWN

**Specifications:** Wire Range: #16 to 4/0 AWG

Rating: 600V, 90° C

Tooling: pp. F-80-F-100

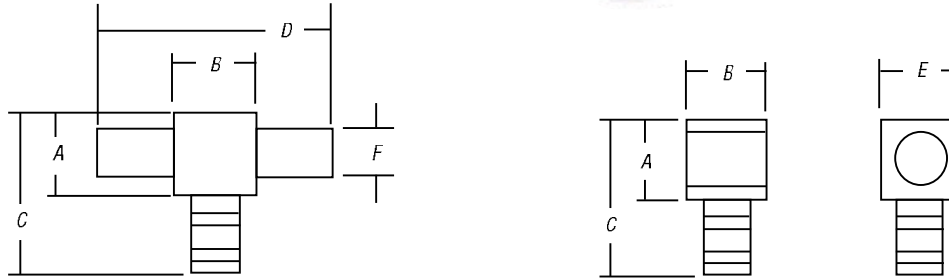
Die Selector Chart: pp. F-101-F-104

## Motor Pigtail Connectors

### Motor Pigtail Connector — One Line to Two Load (3 Wire)

- KON-TOUR™ louvered contact bands
- Color coded to match installing dies

**Material:** High-Conductivity Wrought Copper  
**Finish:** Electro-Tin Plate



CAT. NO.		WIRE SIZE	BODY SIZE	COLOR CODE	BOOT INSULATION	DIMENSIONS (IN.)						STRIP LENGTH (IN.)
FEMALE DISCONNECT	MALE DISCONNECT					A	B	C	D	E	F	
MD1614F-0	M2D1614M-0	#16-#14 AWG	0	BLUE	MDBOOT-1	.250	.250	.63	.77	.25	.12	3/8
MD1210F-1	M2D1210M-1	#12-#10 AWG	1	YELLOW	M2DBOOT-1	.380	.380	.780	.750	.380	.25	3/8
MD1210F-2	M2D1210M-2	#12-#10 AWG	2	YELLOW	M2DBOOT-2	.500	.500	.900	1.500	.500	.37	3/8
MD8F-1	M2D8M-1	#8 AWG	1	RED	M2DBOOT-1	.380	.380	.820	1.125	.380	.25	1/16
MD8F-2	M2D8M-2	#8 AWG	2	RED	M2DBOOT-2	.500	.500	.950	1.500	.500	.37	7/16
MD6F-1	M2D6M-1	#6 AWG	1	BLUE	M2DBOOT-1	.380	.380	.875	1.125	.380	.25	1/2
MD6F-2	M2D6M-2	#6 AWG	2	BLUE	M2DBOOT-2	.500	.500	1.020	1.500	.500	.37	1/2
MD4F-2	M2D4M-2	#4 AWG	2	GRAY	M2DBOOT-2	.500	.500	1.060	1.500	.500	.37	1/2
MD2F-2	M2D2M-2	#2 AWG	2	BROWN	M2DBOOT-2	.500	.500	1.090	1.500	.500	.37	1/32
MD2F-3	M2D2M-3	#2 AWG	3	BROWN	M2DBOOT-3	.875	.875	1.460	2.630	.875	.50	1/32
MD1F-2	M2D1M-2	#1 AWG	2	GREEN	M2DBOOT-2	.50	.50	1.230	1.500	.500	.37	3/16
MD1F-3	M2D1M-3	#1 AWG	3	GREEN	M2DBOOT-3	.875	.875	1.560	2.630	.875	.50	3/16
MD10F-3	M2D10M-3	1/0 AWG	3	PINK	M2DBOOT-3	.875	.875	1.560	2.630	.875	.50	3/16
MD20F-3	M2D20M-3	2/0 AWG	3	BLACK	M2DBOOT-3	.875	.875	1.590	2.630	.875	.50	5/8
MD30F-3	M2D30M-3	3/0 AWG	3	ORANGE	M2DBOOT-3	.875	.875	1.710	2.630	.875	.50	1 1/16
MD40F-3	M2D40M-3	4/0 AWG	3	PURPLE	M2DBOOT-3	.875	.875	1.810	2.630	.875	.50	3/4

Operating Range: 600V max., 1000V max. in signs and fixtures.

Listing: UL® Listed and CSA Certified for #12-#8 AWG solid copper conductors and stranded copper conductors in the sizes shown.

Selection: Always use the same body size when selecting male and female disconnects. For example, to connect a #2 AWG male to a #8 AWG female, select Catalog Numbers M2D2M-2 and MD8F-2. Both have body size 2.

Insulation: Use insulating boots matching the disconnect body size as indicated in the chart. To protect the connection from moisture and dirt, use sealing compound (Catalog Number MDBOOT-SEAL).

Tooling: pp. F-80-F-100

Die Selector Chart: pp. F-101-F-104

Connectors & Grounding — Blackburn® Compression Connectors Featuring the Color-Keyed® System

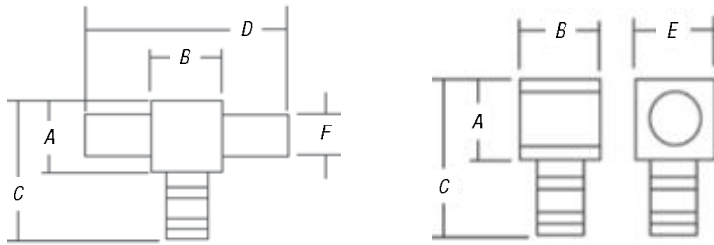
## Motor Pigtail Connectors

### Motor Pigtail Connector — One Line to Two Load (3 Wire) (continued)

- KON-TOUR™ louvered contact bands
- Color coded to match installing dies

**Material:** High-Conductivity Wrought Copper

**Finish:** Electro-Tin Plate



CAT.NO.		INSTALLING TOOLS							
FEMALE DISCONNECT	MALE DISCONNECT	WT112M WT111M ERG4002 WT2000	TBM6 TBM6S			TBM5 TBM5S	TBM8 TBM8S	HYDRAULIC TOOLS	
			TBM25S	UPPER DIE	LOWER DIE	DIE SET	DIE SET	DIE CODE	COLOR
MD1614F-0	M2D1614M-0	BLUE	—	—	—	—	—	—	—
MD1210F-1	M2D1210M-1	—	—	—	—	—	—	—	—
MD1210F-2	M2D1210M-2	YELLOW	—	—	—	—	—	—	—
MD8F-1	M2D8M-1	—	X	13475	13477	13454	13461	21	RED
MD8F-2	M2D8M-2	—	X	13475	13477	13454	13461	21	—
MD6F-1	M2D6M-1	—	X	13475	13477	13454	13461	24	BLUE
MD6F-2	M2D6M-2	—	X	13475	13477	13454	13461	24	—
MD4F-2	M2D4M-2	—	X	13472	13476	13454	13461	29	GRAY
MD2F-2	M2D2M-2	—	X	13474	13477	13454	13461	33	BROWN
MD2F-3	M2D2M-3	—	X	13474	13477	13454	13461	33	—
MD1F-2	M2D1M-2	—	—	13474	13477	13455	13462	37	GREEN
MD1F-3	M2D1M-3	—	—	13474	13477	13455	13462	37	—
MD10F-3	M2D10M-3	—	—	13475	13477	13455	13462	42	PINK
MD20F-3	M2D20M-3	—	—	13474	13477	13455	13462	45	—
MD30F-3	M2D30M-3	—	—	13474	13477	13455	13462	50	ORANGE
MD40F-3	M2D40M-3	—	—	13475	13477	13456	13463	54	PURPLE

Tooling: pp. F-80–F-100

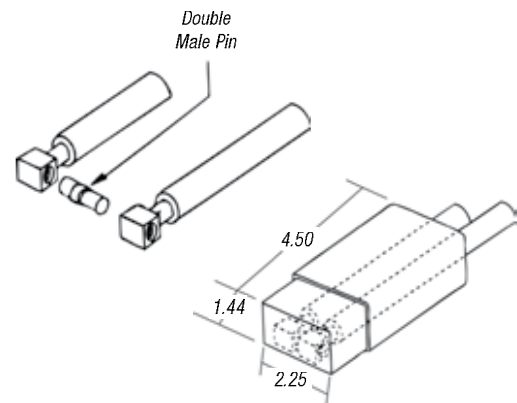
Die Selector Chart: pp. F-101–F-104

## Motor Pigtail Connectors

### 5kV Motor Pigtail Connector Supplied with Boot, Pin, Silicon Gel (Two Female Connectors Required)



CAT. NO.	WIRE RANGE AWG	FEMALE DISCONNECT CAT. NO.	COLOR CODE	DIMENSIONS			BODY SIZE
				L	W	H	
5KVBOOT-2L	#8	MD8F-2	RED	4.50	2.25	1.44	2
5KVBOOT-2L	#6	MD6F-2	BLUE	4.50	2.25	1.44	2
5KVBOOT-2L	#4	MD4F-2	GRAY	4.50	2.25	1.44	2
5KVBOOT-2L	#2	MD2F-2	BROWN	4.50	2.25	1.44	2
5KVBOOT-2L	#1	MD1F-2	GREEN	4.50	2.25	1.44	2
5KVBOOT-3L	#2	MD2F-3	BROWN	4.50	2.25	1.44	3
5KVBOOT-3L	#1	MD1F-3	GREEN	4.50	2.25	1.44	3
5KVBOOT-3L	1/0	MD10F-3	PINK	4.50	2.25	1.44	3
5KVBOOT-3L	2/0	MD20F-3	BLACK	4.50	2.25	1.44	3
5KVBOOT-3L	3/0	MD30F-3	ORANGE	4.50	2.25	1.44	3
5KVBOOT-3L	4/0	MD40F-3	PURPLE	4.50	2.25	1.44	3

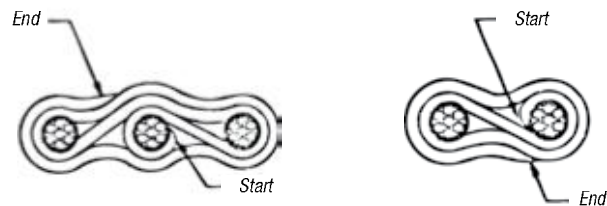


## For easy, reliable sealing of motor disconnect boots.

### Sealant

Sealant should be used with T&B Motor Disconnect Boots: MDBOOT-0, MDBOOT-1, MDBOOT-2 and MDBOOT-3.

The cable should be clean and free of grease and other foreign substances.  
Apply two layers around each cable at the same distance from the connector.  
Slide the assembly into boot, apply Ty-Rap<sup>®</sup> cable ties and work sealant around wires at end of boot to eliminate voids.



#### Specifications

- Description: Polybutene Compound
- Application Temperature: 40° F to 100° F
- Service Temperature: -40° F to 180° F
- Dimensions: Width 1", Thickness 3/16", Length (Std. Roll) 10', wrapped on release liner
- Environmental Resistance: Resists normal aging process
- Chemical Resistance: Resists acids, bases and alcohols
- Dielectric Strength: 200V/mil minimum
- Volume Resistivity: 1013 ohms/cm
- Flame Retardancy: Pass VO Vertical Flame Test

CAT. NO.	DESCRIPTION
MDBOOT-SEAL	Sealant

For watertight applications, contact technical services.

Tooling: pp. F-80-F-100

Die Selector Chart: pp. F-101-F-104

## KUBE® Connectors

Make economical, field-constructible, UL® Listed multiple-tap electrical connections!

### KUBE® Connectors Multi-Tap

Leave it to Thomas & Betts to bring you the most versatile, affordable solution for multiple-load installations from a single main conductor. The KUBE® Multi-Tap system gangs multiple permanent, dependable compression taps mounted on a high-conductivity copper rod to achieve a space- and cost-efficient UL® Listed multiple-tap connection you configure in the field. For even more flexibility, you can rotate connectors individually on the Multi-Tap rod to accommodate the bends and angles necessary to install equipment or complete circuitry — without the high cost of flexible-conductor cable.

- Lowest installed cost for the application — eliminates the need for expensive flexible-conductor cable
- Individual connectors can be rotated 360° on rod for multi-directional connections
- Versatile, modular design supports a myriad of connection possibilities
- UL® 486AB Listed and CSA Certified for field installation
- Compression connections maintain integrity even under vibration and high temperatures
- Supports wire sizes from #16 to 4/0 AWG
- Suitable for applications up to 600 volts (1000 volts in signs and fixtures)
- Rods constructed of high-conductivity copper with corrosion-resistant tin plating
- Connectors constructed of electro-tin plated high conductivity copper with louvered contact bands for reliable connections and color coding for easy selection of crimping die
- Two-piece, UL94-V0-rated, polycarbonate insulators snap onto connectors easily for fast, safe installation

#### Typical Applications

- Commercial construction
- Specialized installations for entertainment applications
- Gutter taps for all applications
- Any other application requiring the running of multiple loads from a main conductor



This Multi-Tap installation connects 4/0, #1 and #2 AWG cables using MD40F-3, MD1F-3 and MD2F-3 connectors with REC-3 insulators on an R3-6 rod.



## KUBE® Connectors

### KUBE® Multi-Tap makes field installation fast and easy.

#### How to Order KUBE® Multi-Tap

- Choose your connectors. Note that connectors to be mounted on a single Multi-Tap rod can be for different wire sizes but must be of the same body size.
- Choose insulators of the appropriate body size for the connectors. (One insulator required for each connector.)
- Choose a Multi-Tap rod that matches the body size of your connectors and that has enough positions for the number of connections you need.



1. Crimp Multi-Tap connectors onto de-energized cables.



2. Snap Multi-Tap insulators over connectors.



3. Remove one end nut and spacers from Multi-Tap rod.



4. Slide connector/insulator assemblies onto rod.



5. If any rod positions remain empty, slide on appropriate number of spacers to fill rod.



6. Reapply end nut and tighten.

#### KUBE® Multi-Tap Connectors



CAT. NO.	WIRE SIZE	BODY SIZE	COLOR CODE
MD1614F-0	#16-#14 AWG	0	BLUE
MD1614F-1	#16-#14 AWG	1	BLUE
MD1210F-1	#12-#10 AWG	1	YELLOW
MD1210F-2	#12-#10 AWG	2	YELLOW
MD8F-1	#8 AWG	1	RED
MD8F-2	#8 AWG	2	RED
MD6F-1	#6 AWG	1	BLUE
MD6F-2	#6 AWG	2	BLUE
MD4F-2	#4 AWG	2	GRAY
MD2F-2	#2 AWG	2	BROWN
MD2F-3	#2 AWG	3	BROWN
MD1F-2	#1 AWG	2	GREEN
MD1F-3	#1 AWG	3	GREEN
MD10F-3	1/0 AWG	3	PINK
MD20F-3	2/0 AWG	3	BLACK
MD30F-3	3/0 AWG	3	ORANGE
MD40F-3	4/0 AWG	3	PURPLE

Please note that these connectors are the same as our female motor pigtail connectors. For more information on dimensions, compression tool selection and required strip length, see pages F-53-F-56.

#### KUBE® Multi-Tap Insulators

One insulator required for each connector.



CAT. NO.	FOR CONNECTOR BODY SIZE
REC-0	0
REC-1	1
REC-2	2
REC-3	3

#### KUBE® Multi-Tap Rods

Includes rod with spacers and end nuts. Rod positions indicate the maximum number of connectors the rod can hold. Spacers are provided to fill any unused positions left open for future connections. Body size of connectors, insulators and rod must match.

CAT. NO.	FOR CONNECTOR BODY SIZE	NO. OF ROD POSITIONS
R0-4	0	4
R0-6	0	6
R0-8	0	8
R0-10	0	10
R0-12	0	12
R1-4	1	4
R1-6	1	6
R1-8	1	8
R1-10	1	10
R1-12	1	12
R2-4	2	4
R2-6	2	6
R2-8	2	8
R2-10	2	10
R2-12	2	12
R3-4	3	4
R3-6	3	6
R3-8	3	8
R3-10	3	10
R3-12	3	12

## KUBE® Connectors

### A cost-saving breakthrough in 90°, T and cross connections. KUBE® Flag, Tee and Cross Connectors

Finally there's a fast, easy and affordable way to make those 90°, T and cross electrical connections whenever and wherever you need them. Blackburn® Flags, Tees and Crosses are designed — and UL®/CSA approved — to be used with standard Blackburn® lugs and splices featuring the Color-Keyed® system in field-assembled configurations.

Now you don't need to use high-cost flexible conductor for connections requiring 90° bending radius or expensive brazed or welded connectors for T or cross connections!

- Offers lowest installed cost for the application
- Versatile, modular design enables thousands of field-constructible connection possibilities, including multi-circuit configurations
- Insulated for fast, safe termination and installation
- Used with standard Blackburn® lugs and splices featuring the Color-Keyed® system
- Color coded for easy selection of correct crimping die and easy verification of proper crimp



#### .....Specifications.....

- Connector: Tin-plated copper
- Insulation: Halogen-free polypropylene
- Standards: UL 486, CSA 22.2 #65

#### Flags, Tees and Crosses



CAT. NO.	WIRE SIZE (AWG)	INSULATOR	STD. PKG. QTY.
<b>Flags</b>			
FLAG1614	#16-#14	F-INSUL-0	20
FLAG1210	#12-#10	F-INSUL-0	10
FLAG8	#8	F-INSUL-1	10
FLAG6	#6	F-INSUL-1	10
FLAG4	#4	F-INSUL-2	6
FLAG2	#2	F-INSUL-2	6
FLAG1	#1	F-INSUL-2	6
FLAG10	1/0	F-INSUL-3	3
FLAG20	2/0	F-INSUL-3	3
FLAG30	3/0	F-INSUL-3	3
FLAG40	4/0	F-INSUL-3	3
FLAG250	250 kcmil	F-INSUL-4	3/15
FLAG350	350 kcmil	F-INSUL-4	3/15
FLAG500	500 kcmil	F-INSUL-4	3/15
<b>Tees</b>			
TEE1614	#16-#14	—	20
TEE1210	#12-#10	—	10
TEE8	#8	—	3
TEE6	#6	—	10
TEE4	#4	—	6
TEE2	#2	—	6
TEE1	#1	—	6
TEE10	1/0	—	3
TEE20	2/0	—	3
TEE30	3/0	—	3
TEE40	4/0	—	3
TEE250	250 kcmil	—	3/15
TEE350	350 kcmil	—	3/15
TEE500	500 kcmil	—	3/15
<b>Crosses</b>			
CROSS1614	#16-#14	—	20/200
CROSS1210	#12-#10	—	10/100
CROSS8	#8	—	10/100
CROSS6	#6	—	10/100
CROSS4	#4	—	6/60
CROSS2	#2	—	6/60
CROSS1	#1	—	6/60
CROSS10	1/0	—	3/30
CROSS20	2/0	—	3/30
CROSS30	3/0	—	3/30
CROSS40	4/0	—	3/30

#### Flag and Tee Kit Contents:

- Steel carrying case
- TBM25S crimp tool
- 25 each #8, #6 and #4 AWG flag bodies
- 25 each #8, #6 and #4 AWG one-hole lugs
- 10 each #2, #1, 1/0, 2/0, 3/0 and 4/0 AWG flag bodies
- 10 each #2, #1, 1/0, 2/0, 3/0 and 4/0 AWG one-hole lugs
- 50 size 1 flag insulators
- 45 size 2 flag insulators
- 40 size 3 flag insulators
- 10 each #8 and #6 AWG tee bodies
- 20 each #8 and #6 AWG two-way splices
- 6 each #4, #2 and #1 AWG tee bodies
- 12 each #4, #2 and #1 AWG two-way splices
- 3 each 1/0, 2/0, 3/0 and 4/0 AWG tee bodies
- 6 each 1/0, 2/0, 3/0 and 4/0 AWG two-way splices

#### Flag Insulators

CAT. NO.	DESCRIPTION	STD. PKG. QTY.
F-INSUL-0	For #16-#10 AWG	20/200
F-INSUL-1	For #8, #6 AWG	10/100
F-INSUL-2	For #4, #2, #1 AWG	6/60
F-INSUL-3	For 1/0, 2/0, 3/0, 4/0 AWG	3/30
F-INSUL-4	For 250, 350, 500 kcmil	10/50

#### Flag and Tee Kit

CAT. NO.	DESCRIPTION	STD. PKG. QTY.
FLAGTEEKIT	Flag and Tee Kit	1

Tooling: pp. F-80-F-100

Die Selector Chart: pp. F-101-F-104



## Copper Disconnects

# Making connections for high-amperage loads has never been easier! High-Amperage Quick Power Disconnects

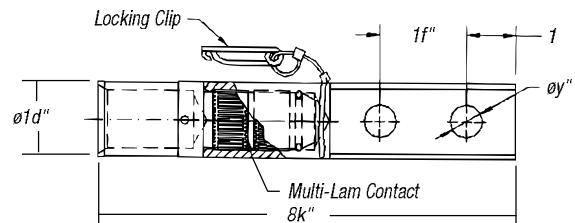
- Designed to be the fastest "off-load" connection possible, while maintaining system integrity
- Uses a multicontact approach to provide low insertion and extraction forces with low resistance and temperature rise
- Enables multiple connections and disconnections without changing or degrading performance characteristics
- Unique construction:
  - Made from 99.9% conductive copper, silver plated
  - Contact design features louvered band of beryllium copper
  - All raised edges of louvered band are deflected, producing a multitude of high-force contact points
  - Each contact point is typically in the force range of 8,000 to 10,000 psi
  - High currents, caused by short circuits or sudden surges, make contact interface even more efficient by increasing contact pressure



CAT. NO.		DIE CONDUCTOR	CODE
MALE	FEMALE		
272-32175M	272-32175F	777 kcmil	115
Future Design	—	646 kcmil	—
Future Design	—	535 kcmil	—
Future Design	—	444 kcmil	—

Tooling: pp. F-80-F-100

Die Selector Chart: pp. F-101-F-104



## T&B Method Traction Motor Disconnect Lugs for Diesel-Electric Locomotives

CAT. NO.	CABLE SIZE	DIMENSIONS				E APPROX. (IN.)	BOLT SIZE			DIE CODE
		A	B	C	D		F	G	H	
MD37	37/24	2 <sup>1</sup> / <sub>16</sub>	1 <sup>1</sup> / <sub>4</sub>	1 <sup>1</sup> / <sub>32</sub>	5/32	3/8	3/8	5/16	1/8	26
MDD61	61/24	2 <sup>1</sup> / <sub>16</sub>	1 <sup>1</sup> / <sub>4</sub>	1 <sup>1</sup> / <sub>32</sub>	5/32	3/8	3/8	5/16	1/8	26
MD 105	105/24	2 <sup>3</sup> / <sub>8</sub>	1 <sup>1</sup> / <sub>4</sub>	1 <sup>1</sup> / <sub>32</sub>	5/32	7/16	3/8	5/16	7/8	33
MD 105	91/24	2 <sup>3</sup> / <sub>8</sub>	1 <sup>1</sup> / <sub>4</sub>	1 <sup>1</sup> / <sub>32</sub>	5/32	7/16	3/8	5/16	7/8	33
MD 125	125/24	2 <sup>3</sup> / <sub>8</sub>	1 <sup>1</sup> / <sub>4</sub>	1 <sup>1</sup> / <sub>32</sub>	5/32	7/16	3/8	5/16	7/8	33
MD 150	150/24	2 <sup>15</sup> / <sub>16</sub>	1 <sup>1</sup> / <sub>8</sub>	1 <sup>1</sup> / <sub>32</sub>	.203	5/8	7/16	5/16	1/8	45
MD 175	175/24	2 <sup>15</sup> / <sub>16</sub>	1 <sup>1</sup> / <sub>8</sub>	1 <sup>1</sup> / <sub>32</sub>	.203	5/8	7/16	5/16	7/8	45
MD 225	225/24	3	1 <sup>1</sup> / <sub>8</sub>	1 <sup>1</sup> / <sub>16</sub>	.203	2 <sup>3</sup> / <sub>32</sub>	7/16	5/16	7/8	54
MD 275	275/24	3	1 <sup>1</sup> / <sub>8</sub>	1 <sup>1</sup> / <sub>16</sub>	.203	2 <sup>3</sup> / <sub>32</sub>	7/16	5/16	7/8	54
MD 325	325/24	3	1 <sup>1</sup> / <sub>8</sub>	1 <sup>1</sup> / <sub>16</sub>	.203	2 <sup>3</sup> / <sub>32</sub>	7/16	5/16	7/8	54
MD 375	375/24	3 <sup>3</sup> / <sub>8</sub>	2	2 <sup>5</sup> / <sub>32</sub>	.203	2 <sup>3</sup> / <sub>32</sub>	7/16	5/16	7/8	60
MD 450	450/24	3 <sup>3</sup> / <sub>8</sub>	2	2 <sup>5</sup> / <sub>32</sub>	.203	2 <sup>3</sup> / <sub>32</sub>	7/16	5/16	7/8	60
MD 550	550/24	3 <sup>3</sup> / <sub>16</sub>	1 <sup>1</sup> / <sub>8</sub>	1 <sup>1</sup> / <sub>16</sub>	.203	1	7/16	5/16	7/8	76
MD 650	650/24	3 <sup>3</sup> / <sub>16</sub>	1 <sup>1</sup> / <sub>8</sub>	1 <sup>1</sup> / <sub>16</sub>	.203	1	7/16	5/16	7/8	76
MD 775	775/24	3 <sup>3</sup> / <sub>16</sub>	1 <sup>1</sup> / <sub>8</sub>	1 <sup>1</sup> / <sub>16</sub>	.203	1	7/16	5/16	7/8	76
MD 925	925/24	3 <sup>3</sup> / <sub>4</sub>	2 <sup>1</sup> / <sub>16</sub>	1 <sup>1</sup> / <sub>8</sub>	.375	1 <sup>1</sup> / <sub>32</sub>	7/16	3/8	1	87
MD 1100	1100/24	3 <sup>3</sup> / <sub>4</sub>	2 <sup>1</sup> / <sub>16</sub>	1 <sup>11</sup> / <sub>32</sub>	.375	1 <sup>1</sup> / <sub>8</sub>	7/16	3/8	1	107
MD 1325	1325/24	3 <sup>25</sup> / <sub>32</sub>	2 <sup>3</sup> / <sub>32</sub>	1 <sup>1</sup> / <sub>32</sub>	.375	1 <sup>1</sup> / <sub>4</sub>	7/16	3/8	1	107
MD 1600	1600/24	3 <sup>3</sup> / <sub>4</sub>	2 <sup>1</sup> / <sub>16</sub>	1 <sup>11</sup> / <sub>32</sub>	.375	1 <sup>1</sup> / <sub>8</sub>	7/16	3/8	1	107
MD 1925*	1925/24	4 <sup>1</sup> / <sub>16</sub>	2 <sup>3</sup> / <sub>32</sub>	1 <sup>11</sup> / <sub>32</sub>	.375	1 <sup>1</sup> / <sub>2</sub>	7/16	3/8	1	115
MD 2300	2300/24	4 <sup>3</sup> / <sub>8</sub>	2 <sup>1</sup> / <sub>8</sub>	1 <sup>19</sup> / <sub>32</sub>	.375	1 <sup>21</sup> / <sub>32</sub>	7/16	3/8	1	130

Note: Some parts may not be current on the system. Contact Tech Services for information.

\* MD 1925 supplied with elongated bolt hole.

Tooling: pp. F-80-F-100 Die Selector Chart: pp. F-101-F-104

