



## HAMMER-ON FLANGE CLIP, BOTTOM MOUNT, SPRING STEEL, 5/16"–1/2" FLANGE

### CATALOG NUMBER

---

**M58**



### CERTIFICATIONS

---



### FEATURES

---

Can be used to support boxes, fixtures or other applications from beam flanges

Assorted attachment points provided to reduce inventory

Requires only a hammer to install

### PRODUCT ATTRIBUTES

---

Material: Spring Steel

Finish: nVent CADDY Armour

Flange Thickness (FT): 5/16" - 1/2"

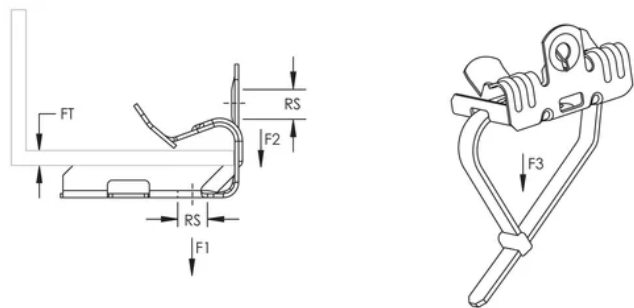
Rod Size (RS): 1/4"

Static Load 1 (F1): 100lb

Static Load 2 (F2): 25lb

Static Load 3 (F3): 75lb

## DIAGRAMS



## WARNING

nVent products shall be installed and used only as indicated in nVent's product instruction sheets and training materials. Instruction sheets are available at [www.nvent.com](http://www.nvent.com) and from your nVent customer service representative. Improper installation, misuse, misapplication or other failure to completely follow nVent's instructions and warnings may cause product malfunction, property damage, serious bodily injury and death and/or void your warranty.

### North America

+1.800.753.9221  
Option 1 – Customer Care  
Option 2 – Technical Support

### Europe

Netherlands:  
+31 800-0200135  
France:  
+33 800 901 793

### Europe

Germany:  
800 1890272  
Other Countries:  
+31 13 5835404

### APAC

Shanghai:  
+ 86 21 2412 1618/19  
Sydney:  
+61 2 9751 8500



Our powerful portfolio of brands:  
**nVent.com CADDY ERICO HOFFMAN RAYCHEM SCHROFF**  
**TRACER**



## HAMMER-ON FLANGE CLIP, BOTTOM MOUNT, SPRING STEEL, 5/16"–1/2" FLANGE

### CATALOG NUMBER

**M58**



### CERTIFICATIONS



### FEATURES

Can be used to support boxes, fixtures or other applications from beam flanges

Assorted attachment points provided to reduce inventory

Requires only a hammer to install

### PRODUCT ATTRIBUTES

Material: Spring Steel

Finish: nVent CADDY Armour

Flange Thickness (FT): 5/16" - 1/2"

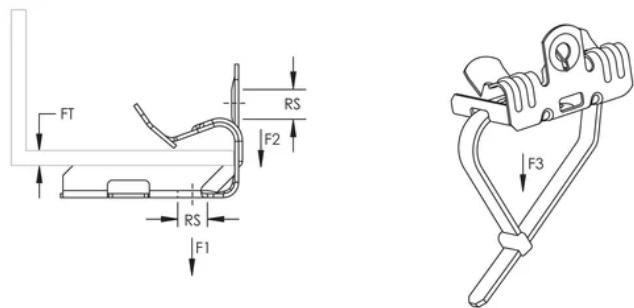
Rod Size (RS): 1/4"

Static Load 1 (F1): 100lb

Static Load 2 (F2): 25lb

Static Load 3 (F3): 75lb

## DIAGRAMS



## WARNING

nVent products shall be installed and used only as indicated in nVent's product instruction sheets and training materials. Instruction sheets are available at [www.nvent.com](http://www.nvent.com) and from your nVent customer service representative. Improper installation, misuse, misapplication or other failure to completely follow nVent's instructions and warnings may cause product malfunction, property damage, serious bodily injury and death and/or void your warranty.

### North America

+1.800.753.9221  
Option 1 – Customer Care  
Option 2 – Technical Support

### Europe

Netherlands:  
+31 800-0200135  
France:  
+33 800 901 793

### Europe

Germany:  
800 1890272  
Other Countries:  
+31 13 5835404

### APAC

Shanghai:  
+ 86 21 2412 1618/19  
Sydney:  
+61 2 9751 8500



Our powerful portfolio of brands:  
**nVent.com CADDY ERICO HOFFMAN RAYCHEM SCHROFF**  
**TRACER**