

LZ2N SERIES • LIGHTING
NON-METALLIC FLUORESCENT

L159



4' Nominal Style



2' Nominal Style

Class I, Div. 2 Groups A,B,C,D
Class I, Zones 2, Groups IIC,IIB,IIA
Class II, Div. 1 & 2, Groups F,G
AEx nAll, Ex nAll
Wet Locations
NEMA 4X, IP66

Certified - File LR11713

ABS Type Approval
NSF Food Handling

FEATURES-SPECIFICATIONS

LZ2N, LZ2NE NON-METALLIC			
NUMBER OF LAMPS/WATTS	VOLTAGE AC 60 Hz	DESCRIPTION	LZ2N
BIAXIAL LAMP TYPE FIXTURES			
1-40W	120-277V	2' 1-Lamp Biaxial Electronic 50/60 Hz 0°F Start 4-Pin	LZ2N40130
2-40W	120-277V	2' 2-Lamp Biaxial Electronic 50/60 Hz 0°F Start 4-Pin	LZ2N40230
4-40W	120-277V	4' 4-Lamp Biaxial Electronic 50/60 Hz 0°F Start 4-Pin	LZ2N40430
DOUBLE-ENDED LAMP TYPE FIXTURES			
2-28W	120-277V 50-60 Hz	4' 2-Lamp T-5 Electronic 0°F Start Miniature Bi-Pin	LZ2N28230
3-28W	120-277V 50-60 Hz	4' 3-Lamp T-5 Electronic 0°F Start Medium Bi-Pin	LZ2N28330
2-32W	120-277V 347V	4' 2-Lamp T-8 Electronic 50/60 Hz 0°F Start Medium Bi-Pin	LZ2N32230 LZ2N32215
3-32W	120-277V 347V	4' 3-Lamp T-8 Electronic 50/60 Hz 0°F Start Miniature Bi-Pin	LZ2N32330 LZ2N32315
2-40W	120V 277V 230V 50 Hz	4' 2-Lamp T-12 Electronic Medium Bi-Pin Start 50°F 40W/60°F 34W	LZ2N40201 LZ2N40204 LZ2N40208
2-44W	120V 277V	4' 2-Lamp T-8 Electronic -20°F Start High Output Recessed Double Contact	LZ2N44201 LZ2N44204
2-60W	120V 277V	4' 2-Lamp T-12 Electronic -20°F Start High Output Recessed Double Contact	LZ2N60201 LZ2N60204

For optional fused ballasts, add to catalog number F1 for 120V, F4 for 277V, F8 for 230V. Fusing not for marine or Canadian use. Lamps not included. See optional mounting accessories on following page.

REPLACEMENT BATTERY UNIT
KFBP7

EMERGENCY LUMEN CHART	
LAMPS	INITIAL LUMENS
1 X 40W BIAxIAL	625
2 X 32W	850
2 X 40W	610
1 X 44W	700
1 X 60W	780

LZ2N ^①					
NUMBER OF LAMPS/WATTS	VOLTAGE	LINE CURRENT AMPS		INPUT WATTS	STARTING TEMPERATURE
1 X 40W BIAxIAL	120-277V	.35 (120V)	.15 (277V)	39	0°F (-18°C)
2 X 40W BIAxIAL	120-277V	.60 (120V)	.28 (277V)	78	0°F (-18°C)
4 X 40W BIAxIAL	120-277V	1.32 (120V)	.56 (277V)	156	0°F (-18°C)
2 X 28W	120-277V	.55 (120V)	.23 (277V)	66	0°F (-18°C)
3 X 28W	120-277V	.83 (120V)	.35 (277V)	99	0°F (-18°C)
2 X 32W	120-277V	.54 (120V)	.24 (277V)	65	0°F (-18°C)
3 X 32W	120-277V	.71 (120V)	.31 (277V)	85	0°F (-18°C)
2 X 40W	120-277V	.62 (120V)	.24 (277V)	71	50°F (10°C)
2 X 44W	120-277V	.84 (120V)	.36 (277V)	99	-20°F (-29°C)
2 X 60W	120-277V	1.13 (120V)	.48 (277V)	125	-20°F (-29°C)

① Includes normal powered LZ2NE models.





4' Nominal Style



2' Nominal Style

Class I, Div. 2 Groups A,B,C,D
Class I, Zones 2, Groups IIC,IIB,IIA
Class II, Div. 1 & 2, Groups F,G
AEx nAll, Ex nAll
Wet Locations
NEMA 4X, IP66

Certified - File LR11713

ABS Type Approval
NSF Food Handling

FEATURES-SPECIFICATIONS

LINEARLITE® *

* marca registrada MEXICO

Applications

LINEARLITE® rugged Non-Metallic fluorescent fixtures are suitable for wet, harsh and hazardous locations. Use where enclosed and gasketed fixtures are required to withstand exposure to moisture, dust and corrosives. The LZ2N Series can also be used in Class I, Division 2 and Zone 2 hazardous vapors and in Class II areas where combustible dusts may exist. Typical areas used are in refineries, chemical plants, waste water & sewage treatment facilities, as well as in tunnels, food processing and coastal areas.

ABS (American Bureau of Shipping) type approval for use on decks, vessels, platforms, barges, ships and boats. Also suitable for docks and marinas.

Features

- NEMA 4 & IP66 rated enclosure
- Housing-one piece fiberglass reinforced polyester
- Lense-Clear Lexan® impact resistant polycarbonate
- Two 3/4" NTP aluminum hubs - one at each end (includes one 3/4" close-up plug and two 3/4" x 1/2" reducers for maximum user flexibility)
- Two 1/4"-20 aluminum bushings furnished in top of fixture for threaded rod

Lexan® is a registered trademark of General Electric

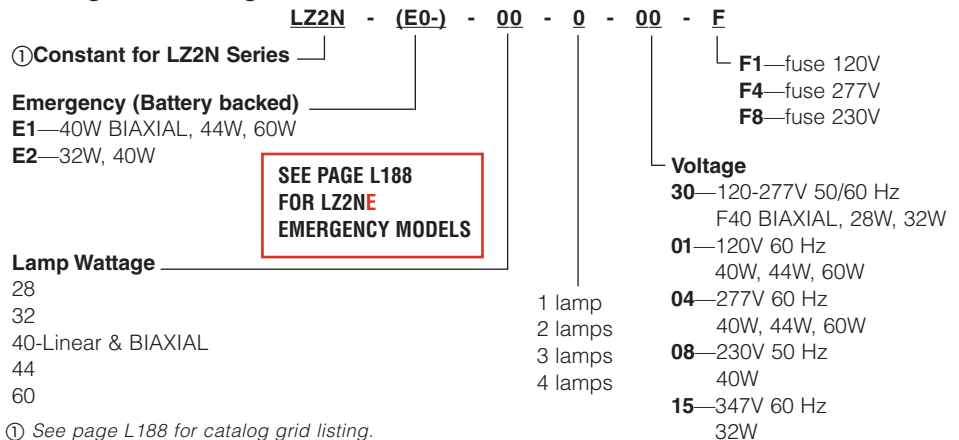
Product Range

- 2' and 4' luminaries
- Lamp types-
 Linear 28W, 32W, 40W, 60W
 Long compact 40W (single ended)
- Emergency battery-backed
- Electronic ballast standard
- World voltage (most models) 120 thru 277V, 50/60 Hz



Quick release diffuser clamp and hinged cover requires no special tools.

Catalog Number Logic

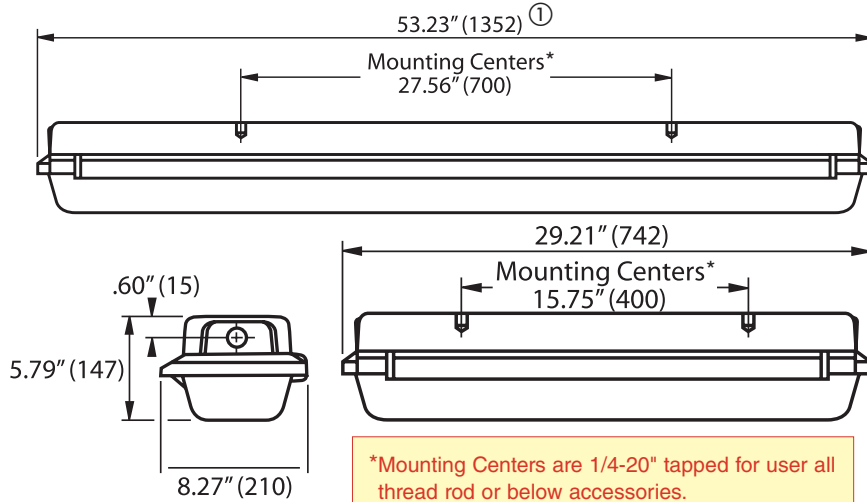


LZ2N, LZ2NE HAZARDOUS LOCATION APPLICATION DATA

NUMBER OF LAMPS/WATTS	RATED AMBIENT °C	SUITABLE FOR °C SUPPLY WIRE	CLASS I, DIV. 2 MAX. SURFACE TEMP.			CLASS II, DIV. 1 & 2 MAX. SURFACE TEMP.			CLASS III DIV. 1 & 2 SUITABILITY	NEMA 4X IP66
			TEMP.	T-CODE	GROUPS	TEMP.	T-CODE	GROUPS		
1 X 40W BIAxIAL	40°	60	100°C	T5	A, B, C, D	100°C	T5	E, F, G	Yes	Yes
2 X 40W BIAxIAL	40°	60	100°C	T5	A, B, C, D	100°C	T5	E, F, G	Yes	Yes
4 X 40W BIAxIAL	40°	60	120°C	T4A	A, B, C, D	100°C	T5	E, F, G	Yes	Yes
2 X 28W	40°	60	120°C	T4A	A, B, C, D	100°C	T5	E, F, G	Yes	Yes
3 X 28W	40°	60	120°C	T4A	A, B, C, D	100°C	T5	E, F, G	Yes	Yes
2 X 32W	40°	75	85°C	T6	A, B, C, D	100°C	T5	E, F, G	Yes	Yes
3 X 32W	40°	75	85°C	T6	A, B, C, D	100°C	T5	E, F, G	Yes	Yes
2 X 40W	40°	60	120°C	T4A	A, B, C, D	100°C	T5	E, F, G	Yes	Yes
2 X 44W	40°	60	100°C	T5	A, B, C, D	100°C	T5	E, F, G	Yes	Yes
2 X 60W	40°	75	135°C	T4	A, B, C, D	100°C	T5	E, F, G	Yes	Yes



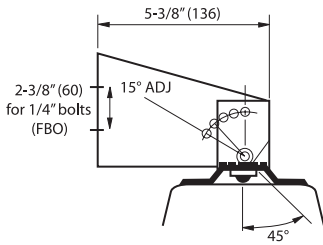
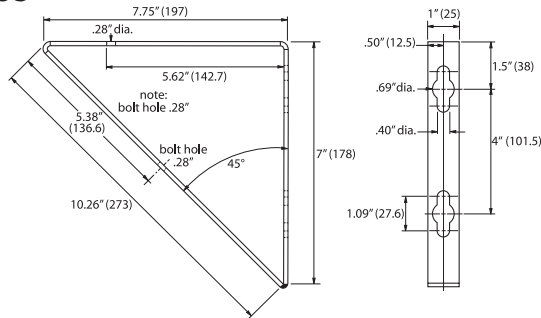
KILLARK®



*Mounting Centers are 1/4-20" tapped for user all thread rod or below accessories.

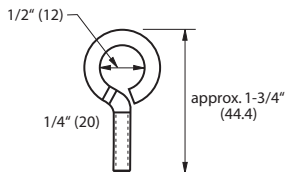
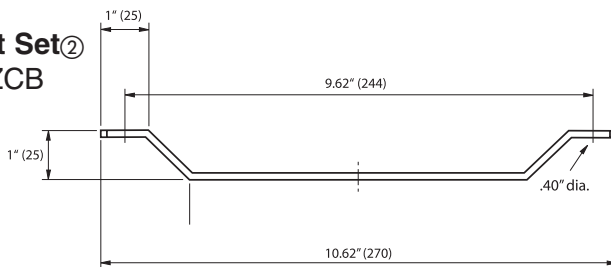
Mounting Accessories

Wall Bracket Set ②
Part Number LZWB
Stainless Steel
(natural finish)



Adjustable Wall Bracket Set ②
Part Number LZAB
Stainless Steel bracket with ceramic coated pivot bolt

Ceiling Bracket Set ②
Part Number LZCB
Stainless Steel
(natural finish)



Eyebolt Set
Part Number LZEB
Stainless Steel bolt with lockwasher & nut
(natural finish)

Suspension Chains (2 required)
Part Number HFX-SC
36" length plated steel chain with snap link ends
For use with LZEB

FLUORESCENT FIXTURE- LZ2N40230

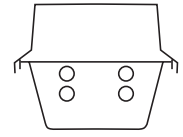
2' - 2 40 Watt Biaxial
Lamp Type F40/2G11/835/RS
Lumens 3150 each

Total Bare Lamp

Lumens 6300

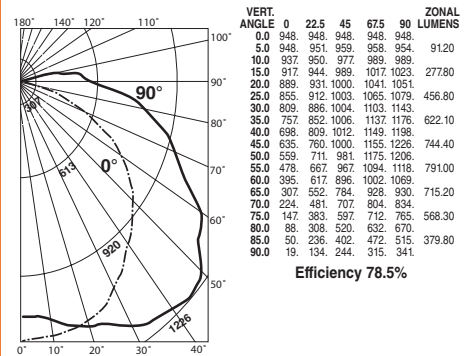
All data provided is for
F40/2G11/835/RS lamps

For LZ2N40130 1-lamp
models multiply x .50



ZONAL LUMENS

ZONE	LUMENS
0-30	826
0-40	1447
0-60	2977
0-90	4638



COEFFICIENTS OF UTILIZATION - ZONAL CAVITY METHOD

% EFFECTIVE CEILING CAVITY REFLECTANCE T _{cc}	80	70	50	30	10	0									
% WALL REFLECTANCE T _w	70	50	30	10	70	50	30	10	50	30	10	0			
ROOM CAVITY RATIO RCR	20% Effective Floor Cavity Reflectance														
0	.92	.92	.92	.92	.90	.90	.90	.84	.84	.80	.80	.80	.76	.76	.74
1	.81	.76	.72	.68	.79	.74	.70	.66	.63	.66	.63	.61	.62	.60	.58
2	.73	.65	.58	.53	.70	.63	.57	.52	.59	.54	.50	.56	.52	.48	.44
3	.65	.56	.48	.42	.63	.54	.47	.42	.51	.45	.40	.48	.43	.39	.35
4	.59	.49	.41	.35	.57	.47	.40	.34	.45	.38	.33	.42	.37	.32	.29
5	.54	.43	.35	.29	.52	.42	.34	.29	.39	.33	.28	.37	.32	.27	.24
6	.50	.38	.30	.25	.48	.37	.30	.25	.35	.29	.24	.33	.28	.23	.21
7	.46	.34	.27	.22	.44	.33	.26	.21	.32	.25	.21	.30	.25	.20	.18
8	.43	.31	.24	.19	.41	.30	.24	.19	.29	.23	.18	.27	.22	.18	.16
9	.40	.28	.21	.17	.38	.28	.21	.17	.26	.20	.16	.25	.20	.16	.14
10	.37	.26	.19	.15	.36	.25	.19	.15	.24	.19	.15	.23	.18	.14	.12

SPACING TO MOUNTING HEIGHT RATIO - 1.28 0-180°
SPACING TO MOUNTING HEIGHT RATIO - 1.88 90-270°

Test No. BAL12356

LZ2N SERIES • LIGHTING
NON-METALLIC FLUORESCENT

L159



4' Nominal Style



2' Nominal Style

Class I, Div. 2 Groups A,B,C,D
Class I, Zones 2, Groups IIC,IIB,IIA
Class II, Div. 1 & 2, Groups F,G
AEx nAll, Ex nAll
Wet Locations
NEMA 4X, IP66

Certified - File LR11713

ABS Type Approval
NSF Food Handling

FEATURES-SPECIFICATIONS

LZ2N, LZ2NE NON-METALLIC			
NUMBER OF LAMPS/WATTS	VOLTAGE AC 60 Hz	DESCRIPTION	LZ2N
BIAXIAL LAMP TYPE FIXTURES			
1-40W	120-277V	2' 1-Lamp Biaxial Electronic 50/60 Hz 0°F Start 4-Pin	LZ2N40130
2-40W	120-277V	2' 2-Lamp Biaxial Electronic 50/60 Hz 0°F Start 4-Pin	LZ2N40230
4-40W	120-277V	4' 4-Lamp Biaxial Electronic 50/60 Hz 0°F Start 4-Pin	LZ2N40430
DOUBLE-ENDED LAMP TYPE FIXTURES			
2-28W	120-277V 50-60 Hz	4' 2-Lamp T-5 Electronic 0°F Start Miniature Bi-Pin	LZ2N28230
3-28W	120-277V 50-60 Hz	4' 3-Lamp T-5 Electronic 0°F Start Medium Bi-Pin	LZ2N28330
2-32W	120-277V 347V	4' 2-Lamp T-8 Electronic 50/60 Hz 0°F Start Medium Bi-Pin	LZ2N32230 LZ2N32215
3-32W	120-277V 347V	4' 3-Lamp T-8 Electronic 50/60 Hz 0°F Start Miniature Bi-Pin	LZ2N32330 LZ2N32315
2-40W	120V 277V 230V 50 Hz	4' 2-Lamp T-12 Electronic Medium Bi-Pin Start 50°F 40W/60°F 34W	LZ2N40201 LZ2N40204 LZ2N40208
2-44W	120V 277V	4' 2-Lamp T-8 Electronic -20°F Start High Output Recessed Double Contact	LZ2N44201 LZ2N44204
2-60W	120V 277V	4' 2-Lamp T-12 Electronic -20°F Start High Output Recessed Double Contact	LZ2N60201 LZ2N60204

For optional fused ballasts, add to catalog number F1 for 120V, F4 for 277V, F8 for 230V. Fusing not for marine or Canadian use. Lamps not included. See optional mounting accessories on following page.

REPLACEMENT BATTERY UNIT
KFBP7

EMERGENCY LUMEN CHART	
LAMPS	INITIAL LUMENS
1 X 40W BIAxIAL	625
2 X 32W	850
2 X 40W	610
1 X 44W	700
1 X 60W	780

LZ2N ^①					
NUMBER OF LAMPS/WATTS	VOLTAGE	LINE CURRENT AMPS		INPUT WATTS	STARTING TEMPERATURE
1 X 40W BIAxIAL	120-277V	.35 (120V)	.15 (277V)	39	0°F (-18°C)
2 X 40W BIAxIAL	120-277V	.60 (120V)	.28 (277V)	78	0°F (-18°C)
4 X 40W BIAxIAL	120-277V	1.32 (120V)	.56 (277V)	156	0°F (-18°C)
2 X 28W	120-277V	.55 (120V)	.23 (277V)	66	0°F (-18°C)
3 X 28W	120-277V	.83 (120V)	.35 (277V)	99	0°F (-18°C)
2 X 32W	120-277V	.54 (120V)	.24 (277V)	65	0°F (-18°C)
3 X 32W	120-277V	.71 (120V)	.31 (277V)	85	0°F (-18°C)
2 X 40W	120-277V	.62 (120V)	.24 (277V)	71	50°F (10°C)
2 X 44W	120-277V	.84 (120V)	.36 (277V)	99	-20°F (-29°C)
2 X 60W	120-277V	1.13 (120V)	.48 (277V)	125	-20°F (-29°C)

① Includes normal powered LZ2NE models.





4' Nominal Style



2' Nominal Style

Class I, Div. 2 Groups A,B,C,D
Class I, Zones 2, Groups IIC, IIB, IIA
Class II, Div. 1 & 2, Groups F,G
AEx nAll, Ex nAll
Wet Locations
NEMA 4X, IP66

Certified - File LR11713

ABS Type Approval
NSF Food Handling

FEATURES-SPECIFICATIONS

LINEARLITE® *

* marca registrada MEXICO

Applications

LINEARLITE® rugged Non-Metallic fluorescent fixtures are suitable for wet, harsh and hazardous locations. Use where enclosed and gasketed fixtures are required to withstand exposure to moisture, dust and corrosives. The LZ2N Series can also be used in Class I, Division 2 and Zone 2 hazardous vapors and in Class II areas where combustible dusts may exist. Typical areas used are in refineries, chemical plants, waste water & sewage treatment facilities, as well as in tunnels, food processing and coastal areas.

ABS (American Bureau of Shipping) type approval for use on decks, vessels, platforms, barges, ships and boats. Also suitable for docks and marinas.

Features

- NEMA 4 & IP66 rated enclosure
- Housing-one piece fiberglass reinforced polyester
- Lense-Clear Lexan® impact resistant polycarbonate
- Two 3/4" NTP aluminum hubs - one at each end (includes one 3/4" close-up plug and two 3/4" x 1/2" reducers for maximum user flexibility)
- Two 1/4"-20 aluminum bushings furnished in top of fixture for threaded rod

Lexan® is a registered trademark of General Electric

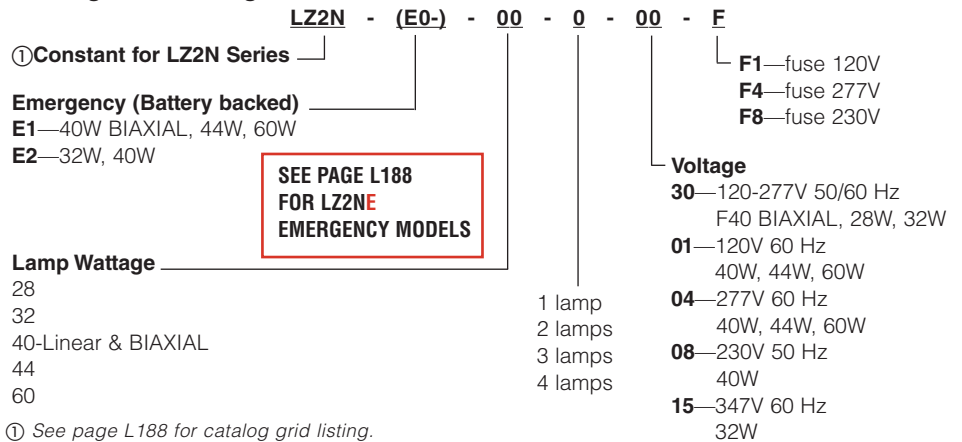
Product Range

- 2' and 4' luminaries
- Lamp types-
 Linear 28W, 32W, 40W, 60W
 Long compact 40W (single ended)
- Emergency battery-backed
- Electronic ballast standard
- World voltage (most models) 120 thru 277V, 50/60 Hz



Quick release diffuser clamp and hinged cover requires no special tools.

Catalog Number Logic

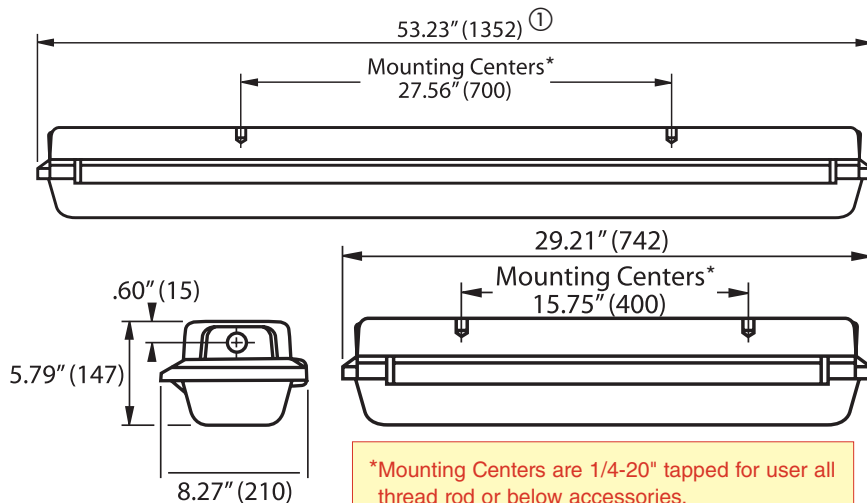


LZ2N, LZ2NE HAZARDOUS LOCATION APPLICATION DATA

NUMBER OF LAMPS/WATTS	RATED AMBIENT °C	SUITABLE FOR °C SUPPLY WIRE	CLASS I, DIV. 2 MAX. SURFACE TEMP.			CLASS II, DIV. 1 & 2 MAX. SURFACE TEMP.			CLASS III DIV. 1 & 2 SUITABILITY	NEMA 4X IP66
			TEMP.	T-CODE	GROUPS	TEMP.	T-CODE	GROUPS		
1 X 40W BIAxIAL	40°	60	100°C	T5	A, B, C, D	100°C	T5	E, F, G	Yes	Yes
2 X 40W BIAxIAL	40°	60	100°C	T5	A, B, C, D	100°C	T5	E, F, G	Yes	Yes
4 X 40W BIAxIAL	40°	60	120°C	T4A	A, B, C, D	100°C	T5	E, F, G	Yes	Yes
2 X 28W	40°	60	120°C	T4A	A, B, C, D	100°C	T5	E, F, G	Yes	Yes
3 X 28W	40°	60	120°C	T4A	A, B, C, D	100°C	T5	E, F, G	Yes	Yes
2 X 32W	40°	75	85°C	T6	A, B, C, D	100°C	T5	E, F, G	Yes	Yes
3 X 32W	40°	75	85°C	T6	A, B, C, D	100°C	T5	E, F, G	Yes	Yes
2 X 40W	40°	60	120°C	T4A	A, B, C, D	100°C	T5	E, F, G	Yes	Yes
2 X 44W	40°	60	100°C	T5	A, B, C, D	100°C	T5	E, F, G	Yes	Yes
2 X 60W	40°	75	135°C	T4	A, B, C, D	100°C	T5	E, F, G	Yes	Yes

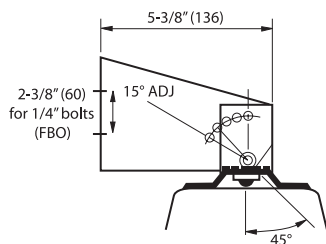
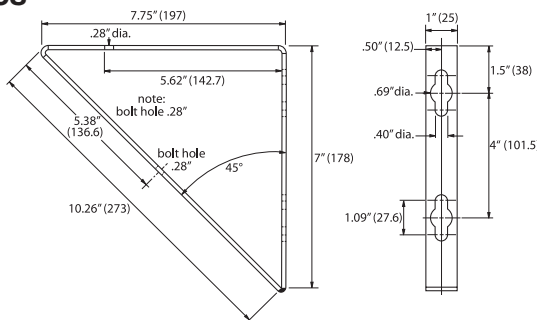


KILLARK®



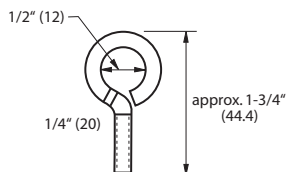
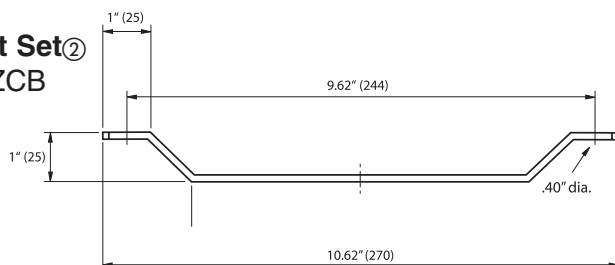
Mounting Accessories

Wall Bracket Set ②
Part Number LZWB
Stainless Steel
(natural finish)



Adjustable Wall Bracket Set ②
Part Number LZAB
Stainless Steel bracket with ceramic coated pivot bolt

Ceiling Bracket Set ②
Part Number LZCB
Stainless Steel
(natural finish)



Eyebolt Set
Part Number LZEB
Stainless Steel bolt with lockwasher & nut
(natural finish)

Suspension Chains (2 required)
Part Number HFX-SC
36" length plated steel chain with snap link ends
For use with LZEB

FLUORESCENT FIXTURE- LZ2N40230

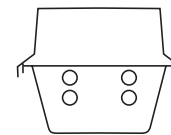
2' - 2 40 Watt Biaxial
Lamp Type F40/2G11/835/RS
Lumens 3150 each

Total Bare Lamp

Lumens 6300

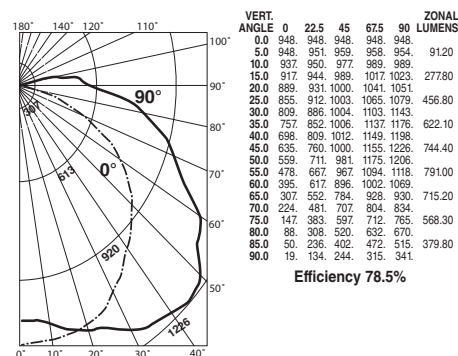
All data provided is for
F40/2G11/835/RS lamps

For LZ2N40130 1-lamp
models multiply x .50



ZONAL LUMENS

ZONE	LUMENS
0-30	826
0-40	1447
0-60	2977
0-90	4638



COEFFICIENTS OF UTILIZATION - ZONAL CAVITY METHOD

% EFFECTIVE CEILING CAVITY REFLECTANCE T _{cc}	80	70	50	30	10	0									
% WALL REFLECTANCE T _w	70	50	30	10	70	50	30	10	50	30	10	0			
ROOM CAVITY RATIO RCR	20% Effective Floor Cavity Reflectance														
0	.92	.92	.92	.92	.90	.90	.90	.84	.84	.80	.80	.80	.76	.76	.74
1	.81	.76	.72	.68	.79	.74	.70	.66	.63	.66	.63	.61	.62	.60	.58
2	.73	.65	.58	.53	.70	.63	.57	.52	.59	.54	.50	.56	.52	.48	.44
3	.65	.56	.48	.42	.63	.54	.47	.42	.51	.45	.40	.48	.43	.39	.35
4	.59	.49	.41	.35	.57	.47	.40	.34	.45	.38	.33	.42	.37	.32	.29
5	.54	.43	.35	.29	.52	.42	.34	.29	.39	.33	.28	.37	.32	.27	.24
6	.50	.38	.30	.25	.48	.37	.30	.25	.35	.29	.24	.33	.28	.23	.21
7	.46	.34	.27	.22	.44	.33	.26	.21	.32	.25	.21	.30	.25	.20	.18
8	.43	.31	.24	.19	.41	.30	.24	.19	.29	.23	.18	.27	.22	.18	.16
9	.40	.28	.21	.17	.38	.28	.21	.17	.26	.20	.16	.25	.20	.16	.14
10	.37	.26	.19	.15	.36	.25	.19	.15	.24	.19	.15	.23	.18	.14	.12

SPACING TO MOUNTING HEIGHT RATIO - 1.28 0-180°
SPACING TO MOUNTING HEIGHT RATIO - 1.88 90-270°

Test No. BAL12356

① Dimensions in () are millimeters.
② Product accessories have hardware for attachment to fixture; hardware to attach to wall/ceiling F.B.O.