

Low Voltage Mounting Brackets

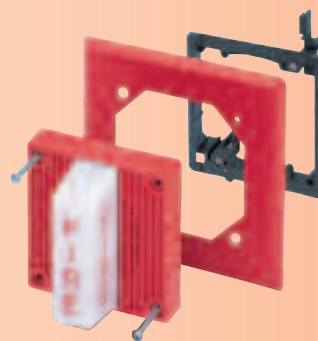
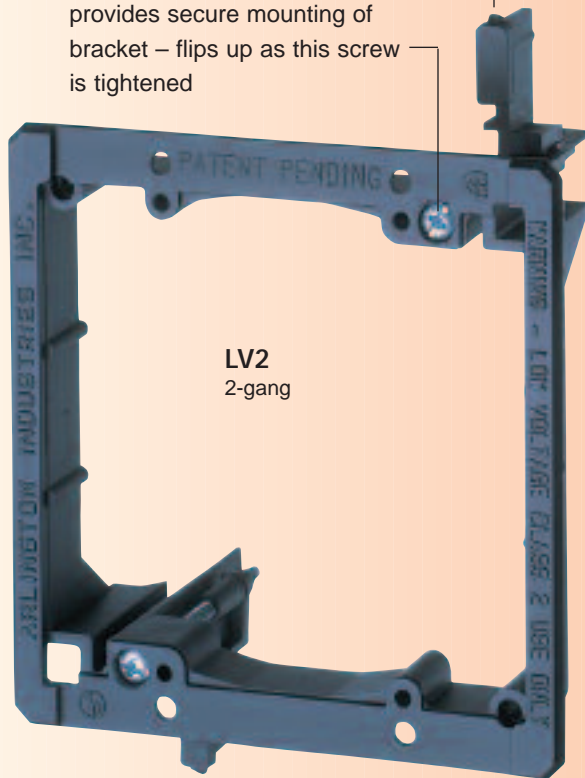
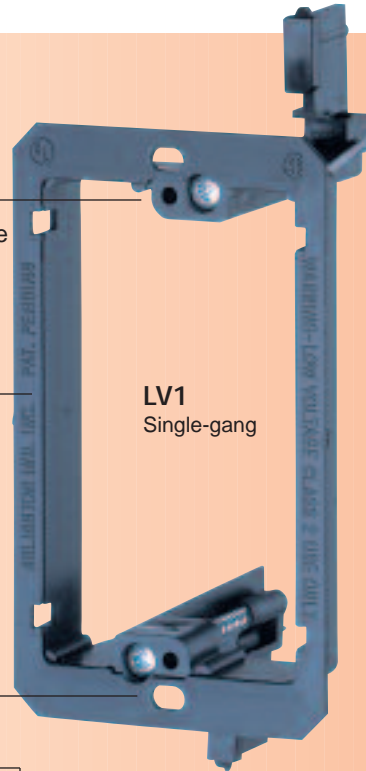
For Low Voltage Class 2 wiring in *EXISTING CONSTRUCTION*

Recessed Screw Hole
Seats wall plate flush with wall surface

Thin Front Lip
Seats better on drywall –
Keeps wall plate flush to wall

Oval Hole
Allows lining-up and final
straightening or shifting of device

Wing Design
provides secure mounting of
bracket – flips up as this screw
is tightened



*LV2 for the
installation of
fire alarms in
existing construction*

Arlington's non-metallic, Low Voltage Mounting Brackets are the time and money-saving solution for faster and easier mounting of Class 2 communications, computer and cable TV wiring.

Designed to mount wall plates flush, **LV1** and **LV2** mounting brackets offer features – specially designed screw holes and more (shown left) – that deliver a better-looking, easy to install job.

- Adjusts to fit 1/4" to 1" thick wall board, paneling or drywall
- Bracket is its own template for cut out
- Horizontal or vertical mounting
- UL, CSA Listed

Catalog Number	UPC/DEI/NAED Mfg. #018997	Description	Unit Pkg	Std Pkg
LV1	58175	Single gang	10	100
LV2	10952	2-gang	5	50
for Existing Construction				

*Installs faster than
metal – costs less too!*



Arlington

1 Stauffer Industrial Park
Scranton, PA 18517
800/233.4717
Fax 570/562.0646
www.aifittings.com

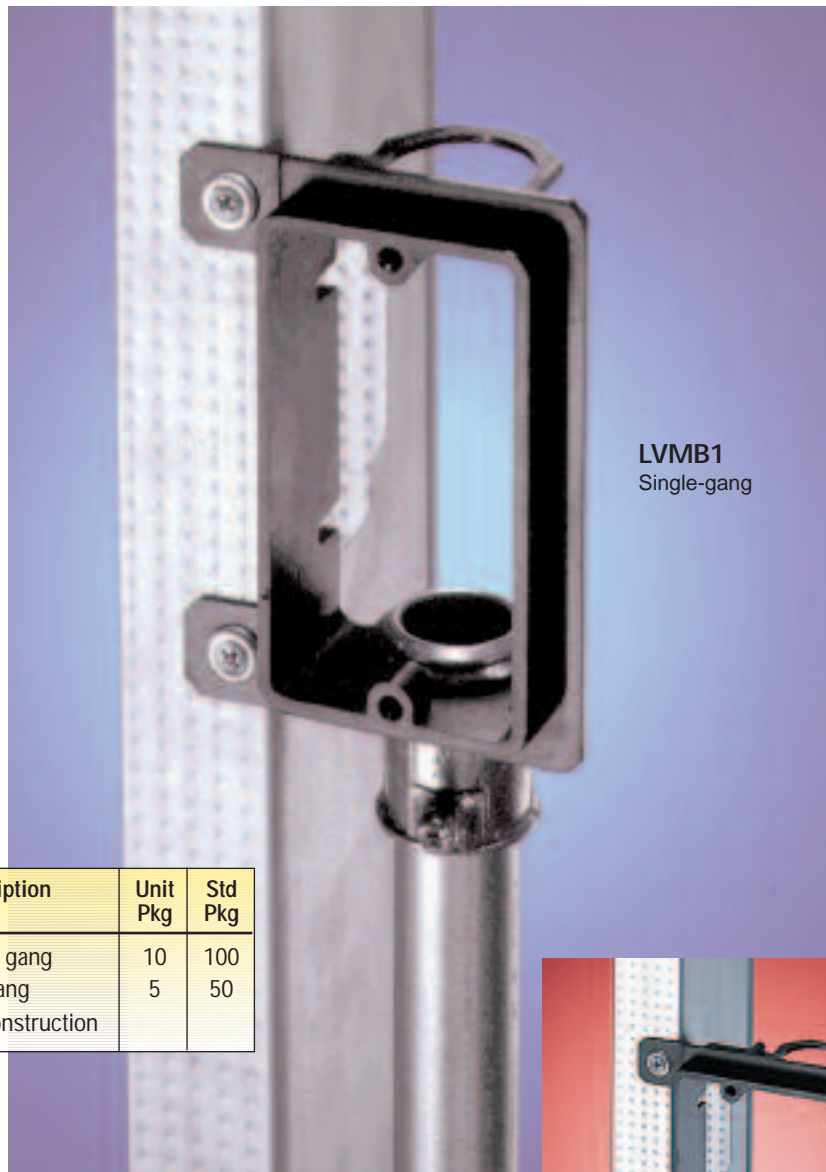
Low Voltage Mounting Brackets

For Low Voltage, Class 2 wiring in NEW CONSTRUCTION

Arlington's non-metallic, Low Voltage Mounting Brackets are the time and money-saving solution for fast, easy and secure mounting of Class 2 wiring.

Designed for new construction, **LVMB1** and **LVMB2** mounting brackets allow you to install communications wiring without an electrical box.

- Works with 1/2" or 5/8" drywall
- Permits the use of 3/4" EMT
- Made of non-conductive, smooth plastic that prevents damage to cable
- UL and CSA Listed

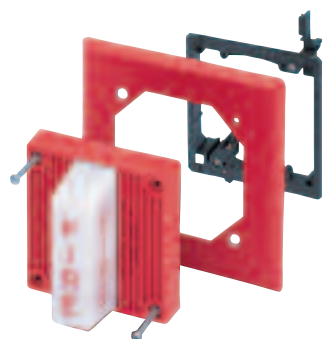


LVMB1
Single-gang

Catalog Number	UPC/DEI/NAED Mfg. #018997	Description	Unit Pkg	Std Pkg
LVMB1	14360	Single gang	10	100
LVMB2	14362	2-gang for New Construction	5	50



LVMB2
2-gang



LVMB2 for the installation of fire alarms in new construction

Distributed by



Arlington
1 Stauffer Industrial Park
Scranton, PA 18517
800/233.4717
Fax 570/562.0646
www.aifittings.com

Low Voltage Mounting Brackets

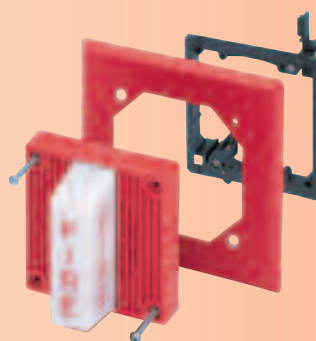
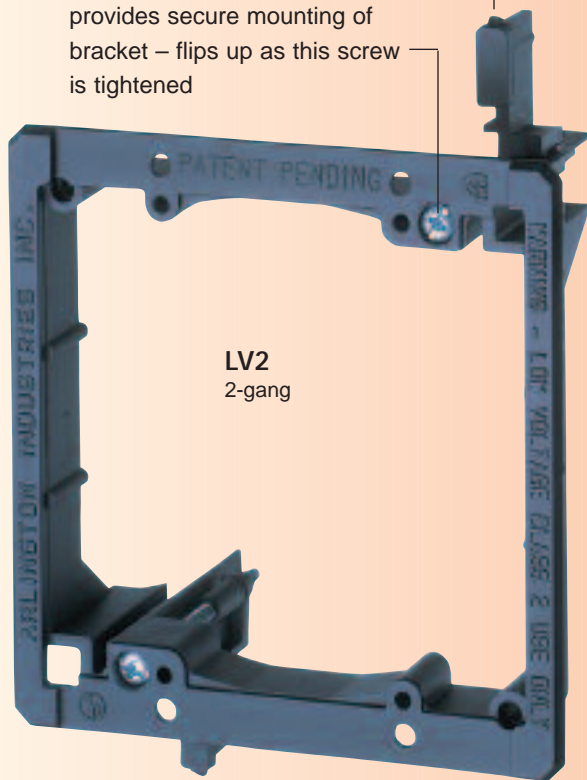
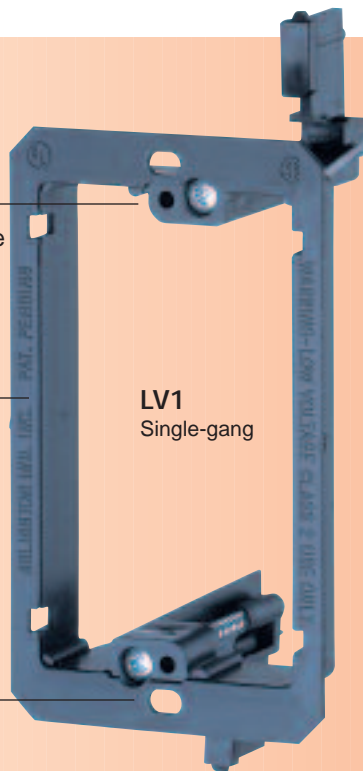
For Low Voltage Class 2 wiring in *EXISTING CONSTRUCTION*

Recessed Screw Hole
Seats wall plate flush with wall surface

Thin Front Lip
Seats better on drywall –
Keeps wall plate flush to wall

Oval Hole
Allows lining-up and final
straightening or shifting of device

Wing Design
provides secure mounting of
bracket – flips up as this screw
is tightened



*LV2 for the
installation of
fire alarms in
existing construction*

Arlington's non-metallic, Low Voltage Mounting Brackets are the time and money-saving solution for faster and easier mounting of Class 2 communications, computer and cable TV wiring.

Designed to mount wall plates flush, **LV1** and **LV2** mounting brackets offer features – specially designed screw holes and more (shown left) – that deliver a better-looking, easy to install job.

- Adjusts to fit 1/4" to 1" thick wall board, paneling or drywall
- Bracket is its own template for cut out
- Horizontal or vertical mounting
- UL, CSA Listed

Catalog Number	UPC/DEI/NAED Mfg. #018997	Description	Unit Pkg	Std Pkg
LV1	58175	Single gang	10	100
LV2	10952	2-gang	5	50
		for Existing Construction		

*Installs faster than
metal – costs less too!*



Arlington

1 Stauffer Industrial Park
Scranton, PA 18517
800/233.4717
Fax 570/562.0646
www.aifittings.com

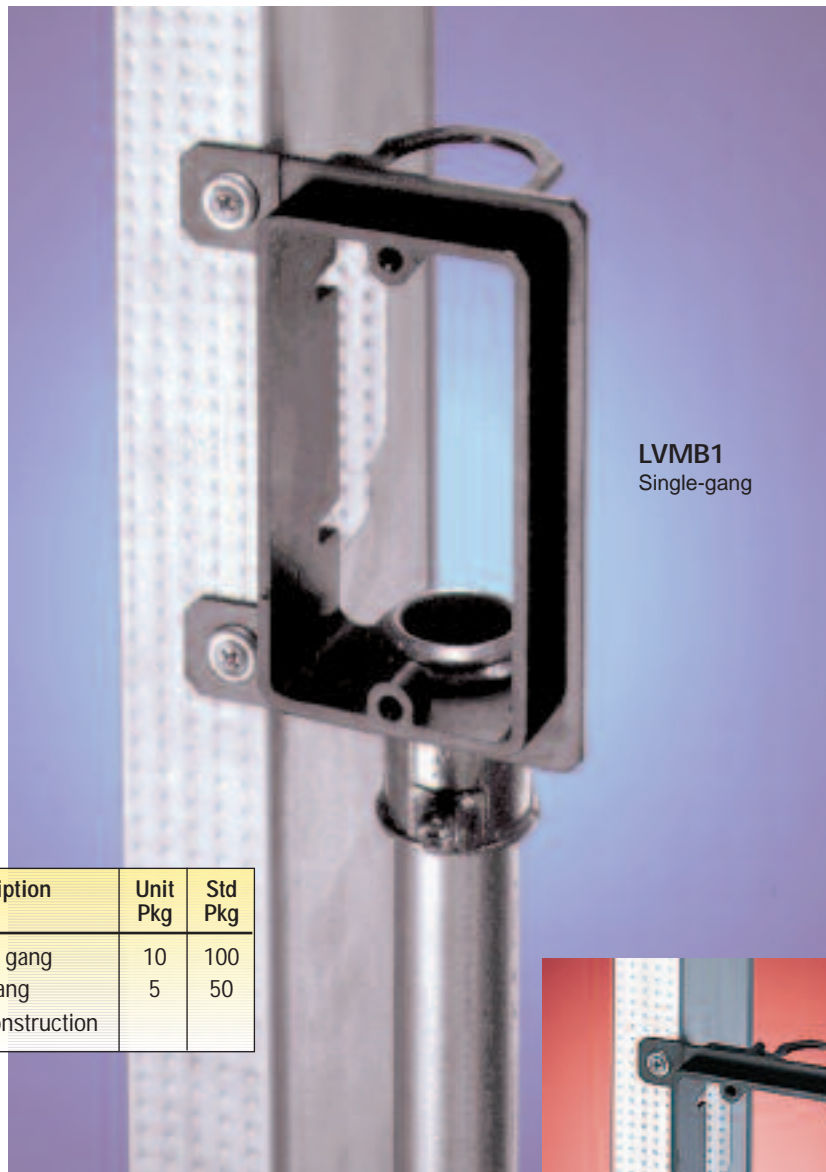
Low Voltage Mounting Brackets

For Low Voltage, Class 2 wiring in NEW CONSTRUCTION

Arlington's non-metallic, Low Voltage Mounting Brackets are the time and money-saving solution for fast, easy and secure mounting of Class 2 wiring.

Designed for new construction, **LVMB1** and **LVMB2** mounting brackets allow you to install communications wiring without an electrical box.

- Works with 1/2" or 5/8" drywall
- Permits the use of 3/4" EMT
- Made of non-conductive, smooth plastic that prevents damage to cable
- UL and CSA Listed

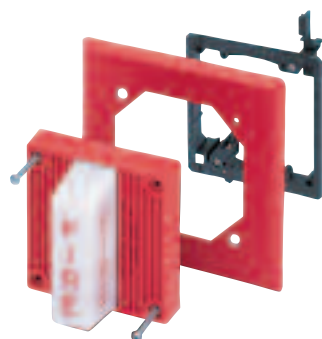


LVMB1
Single-gang

Catalog Number	UPC/DEI/NAED Mfg. #018997	Description	Unit Pkg	Std Pkg
LVMB1	14360	Single gang	10	100
LVMB2	14362	2-gang for New Construction	5	50



LVMB2
2-gang



LVMB2 for the installation of fire alarms in new construction

Distributed by

Patented. LV1/LVMB1 1006/15M



Arlington
1 Stauffer Industrial Park
Scranton, PA 18517
800/233.4717
Fax 570/562.0646
www.aifittings.com