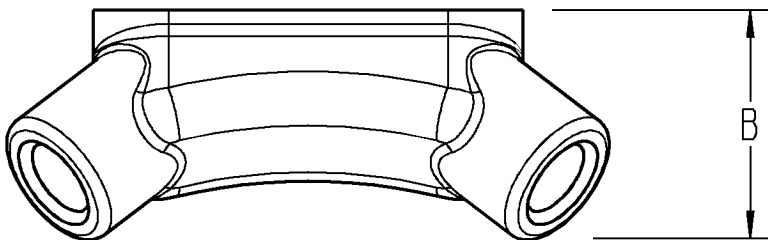
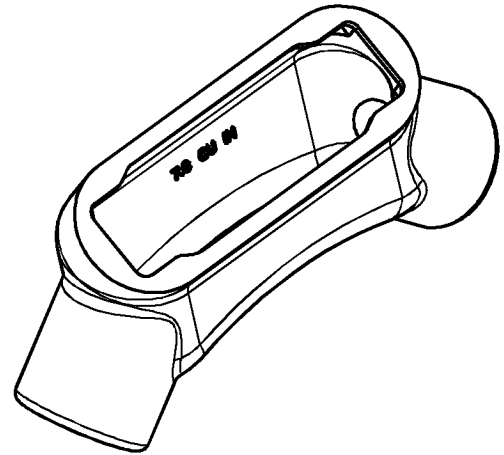
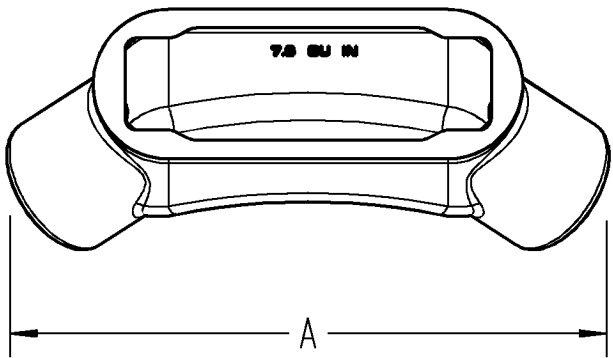




# T&B Rigid Fittings



### NOTES:

1. MATERIAL : CLASS 30 GRAY IRON
2. FINISH : BLUEKOTE
3. LISTED FOR 40% WIRE FILL
4. LISTED AS ENCLOSURE FOR SPLICES
5. ALL DIMENSION ARE REFERENCE ONLY
6. ALL HUBS NPT THREADS
7. STANDARD FORM 7 COVER INTERFACE

|       |                        |               |              |                |
|-------|------------------------|---------------|--------------|----------------|
| LU67  | 2" LU CONDUIT BODY     | 10.72 (272.3) | 4.28 (108.7) | 56.0           |
| LU57  | 1-1/2" LU CONDUIT BODY | 8.95 (227.3)  | 3.58 (90.9)  | 28.3           |
| LU47  | 1-1/4" LU CONDUIT BODY | 8.42 (213.9)  | 3.36 (85.3)  | 23.0           |
| LU37  | 1" LU CONDUIT BODY     | 7.39 (187.7)  | 2.83 (71.9)  | 13.4           |
| LU27  | 3/4" LU CONDUIT BODY   | 6.22 (158.0)  | 2.38 (60.5)  | 7.6            |
| LU17  | 1/2" LU CONDUIT BODY   | 4.60 (116.8)  | 2.09 (53.1)  | 4.8            |
| CAT # | DESCRIPTION            | DIM A         | DIM B        | VOLUME (CU IN) |

### GENERAL NOTES

1. ALL DIMENSIONS ARE FOR REFERENCE ONLY.
2. DIMENSIONS IN BRACKETS [ ] ARE IN METRIC UNITS.

### REVISIONS

- |   |  |
|---|--|
| - | SEE ERN ( **** ) FOR APPROVAL SIGNATURES & RELEASE DATE.<br>PROJECT NO: **** |
|---|--|

**Thomas & Betts**  
www.tnb.com

DESCRIPTION:

## LU STYLE CONDUIT BODIES

ORIGINAL PROJECT NO / ( ERN NO )

RD55801 / ( 2010449 )

SHEET NO:

1 OF 1

REV. NO:

-

DRAWING NO:

WSD-000475

THIS DRAWING IS INTENDED FOR DESCRIPTIVE PURPOSES ONLY. AND THE RIGHT IS RESERVED TO DEVIATE FROM ANY OF THE DETAILS SHOWN HEREON.

©2008 Thomas & Betts - Proprietary. All Rights Reserved